



US007442137B2

(12) **United States Patent**  
**Hansen**

(10) **Patent No.:** **US 7,442,137 B2**  
(45) **Date of Patent:** **Oct. 28, 2008**

(54) **ECCENTRIC MOUNTING AND ADJUSTMENT SYSTEM FOR BELT DRIVEN DEVICES**

(58) **Field of Classification Search** ..... 474/101-138, 474/70; 74/527, 575; 123/195 A; 188/82.1, 188/82.7; 192/43.1, 43.2; *F16H 7/08, 7/22*  
See application file for complete search history.

(75) Inventor: **David N. Hansen**, Sterling Heights, MI (US)

(56) **References Cited**

(73) Assignee: **The United States of America as represented by the Secretary of the Army**, Washington, DC (US)

U.S. PATENT DOCUMENTS

5,590,228 A \* 12/1996 Gibola et al. .... 385/56  
2003/0066593 A1\* 4/2003 Kopelowicz ..... 156/229  
2004/0185976 A1\* 9/2004 Meckstroth et al. .... 474/101  
\* cited by examiner

(\* ) Notice: Subject to any disclaimer, the term of this patent is extended or adjusted under 35 U.S.C. 154(b) by 737 days.

*Primary Examiner*—Lynda Jasmin  
*Assistant Examiner*—Robert T Reese  
(74) *Attorney, Agent, or Firm*—David L. Kuhn; Thomas W. Saur; Luis Miguel Acosta

(21) Appl. No.: **11/094,549**

(57) **ABSTRACT**

(22) Filed: **Mar. 28, 2005**

An eccentric adjustment and mounting system is useful for belt engaging engine components such as alternators or water pumps. The system includes a housing fixed to the engine, a socket rotatable in pawl-and-ratchet fashion within the housing, and a socket aperture eccentrically disposed relative to the socket's axis. The aperture receives the belt engaging component, whereby rotation of the socket moves the component to adjust belt tension.

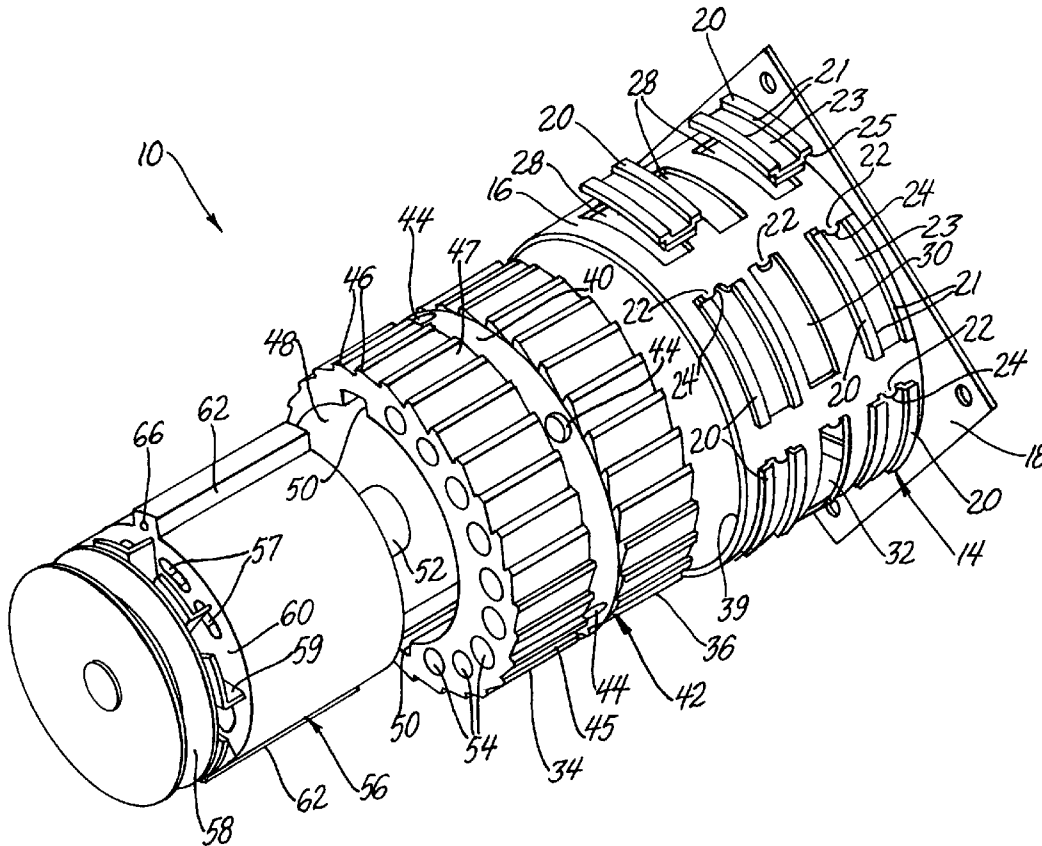
(65) **Prior Publication Data**

US 2006/0217221 A1 Sep. 28, 2006

(51) **Int. Cl.**  
**F16H 7/08** (2006.01)  
**F16H 7/22** (2006.01)

(52) **U.S. Cl.** ..... **474/101; 474/70; 474/112; 474/135; 74/527; 74/575; 385/56**

**5 Claims, 5 Drawing Sheets**

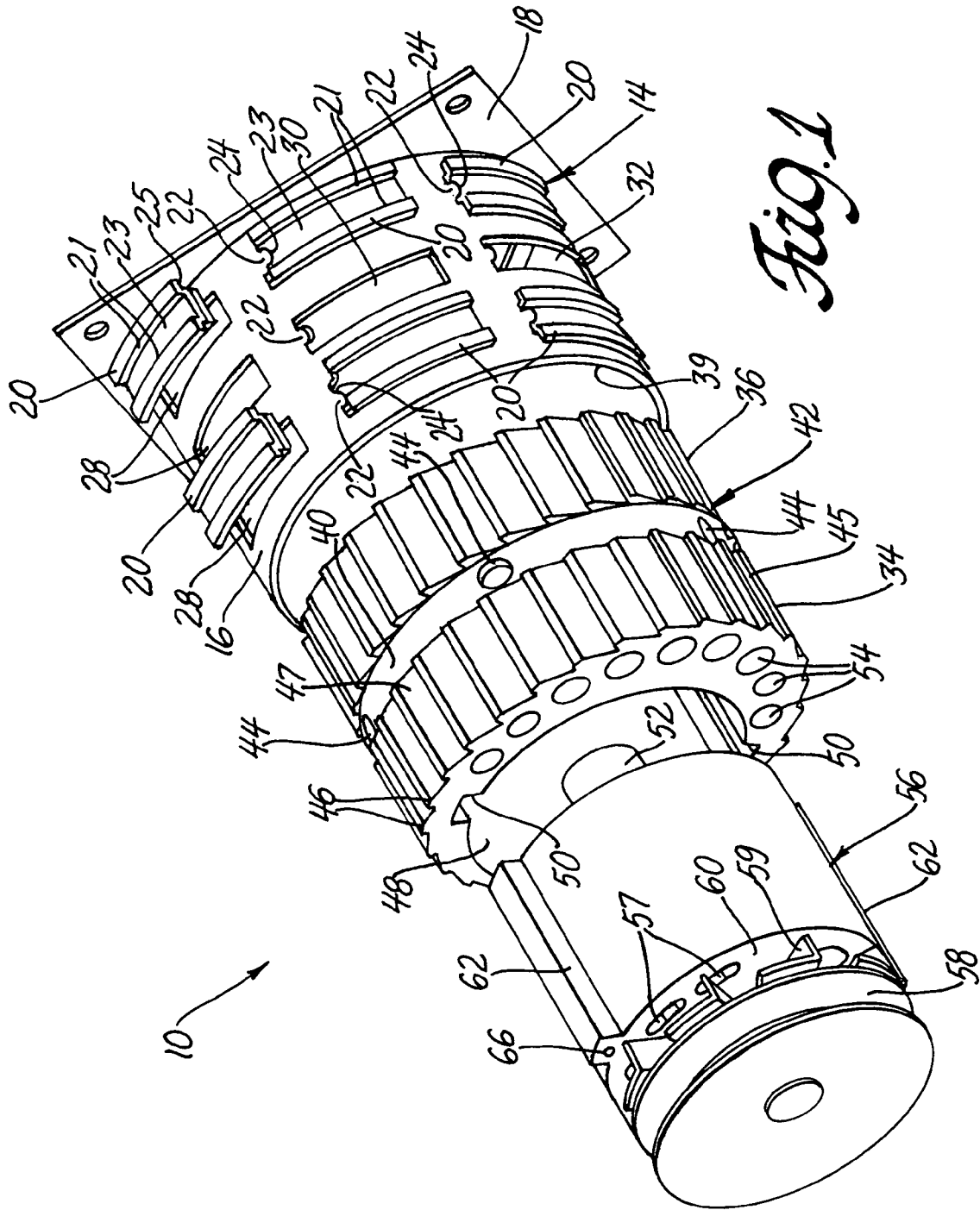


# Report Documentation Page

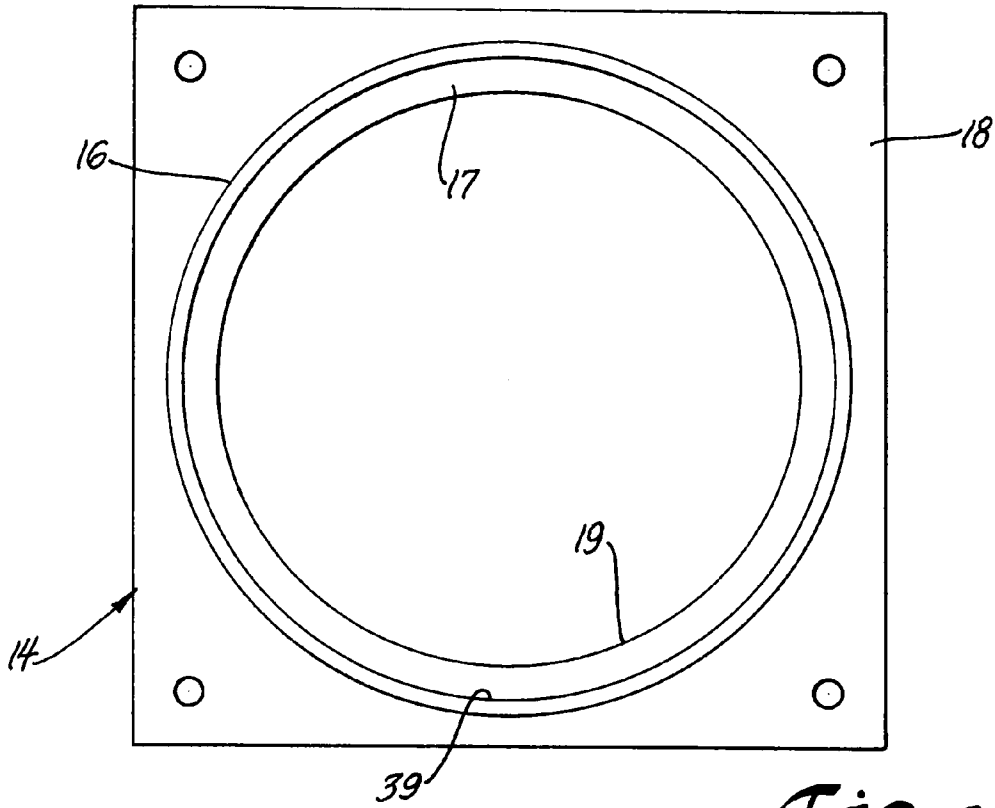
*Form Approved*  
*OMB No. 0704-0188*

Public reporting burden for the collection of information is estimated to average 1 hour per response, including the time for reviewing instructions, searching existing data sources, gathering and maintaining the data needed, and completing and reviewing the collection of information. Send comments regarding this burden estimate or any other aspect of this collection of information, including suggestions for reducing this burden, to Washington Headquarters Services, Directorate for Information Operations and Reports, 1215 Jefferson Davis Highway, Suite 1204, Arlington VA 22202-4302. Respondents should be aware that notwithstanding any other provision of law, no person shall be subject to a penalty for failing to comply with a collection of information if it does not display a currently valid OMB control number.

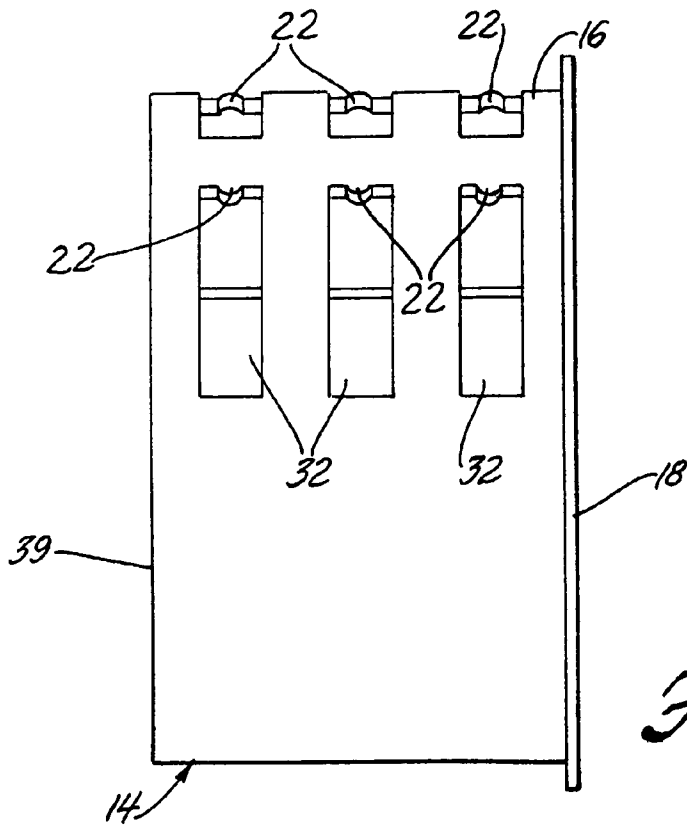
1. REPORT DATE <b>28 OCT 2008</b>	2. REPORT TYPE <b>N/A</b>	3. DATES COVERED <b>-</b>	
4. TITLE AND SUBTITLE <b>Eccentric Mounting and Adjustment System for Belt Driven Devices</b>		5a. CONTRACT NUMBER	
		5b. GRANT NUMBER	
		5c. PROGRAM ELEMENT NUMBER	
6. AUTHOR(S) <b>David N. Hansen</b>		5d. PROJECT NUMBER	
		5e. TASK NUMBER	
		5f. WORK UNIT NUMBER	
7. PERFORMING ORGANIZATION NAME(S) AND ADDRESS(ES) <b>US Army RDECOM-TARDEC 6501 E 11 Mile Rd Warren, MI 48397-5000</b>		8. PERFORMING ORGANIZATION REPORT NUMBER <b>19492</b>	
9. SPONSORING/MONITORING AGENCY NAME(S) AND ADDRESS(ES)		10. SPONSOR/MONITOR'S ACRONYM(S) <b>TACOM/TARDEC</b>	
		11. SPONSOR/MONITOR'S REPORT NUMBER(S) <b>19492</b>	
12. DISTRIBUTION/AVAILABILITY STATEMENT <b>Approved for public release, distribution unlimited</b>			
13. SUPPLEMENTARY NOTES <b>United States Patent US 7,442,137 B2</b>			
14. ABSTRACT			
15. SUBJECT TERMS			
16. SECURITY CLASSIFICATION OF:			17. LIMITATION OF ABSTRACT <b>UU</b>
a. REPORT <b>unclassified</b>	b. ABSTRACT <b>unclassified</b>	c. THIS PAGE <b>unclassified</b>	
19a. NAME OF RESPONSIBLE PERSON			



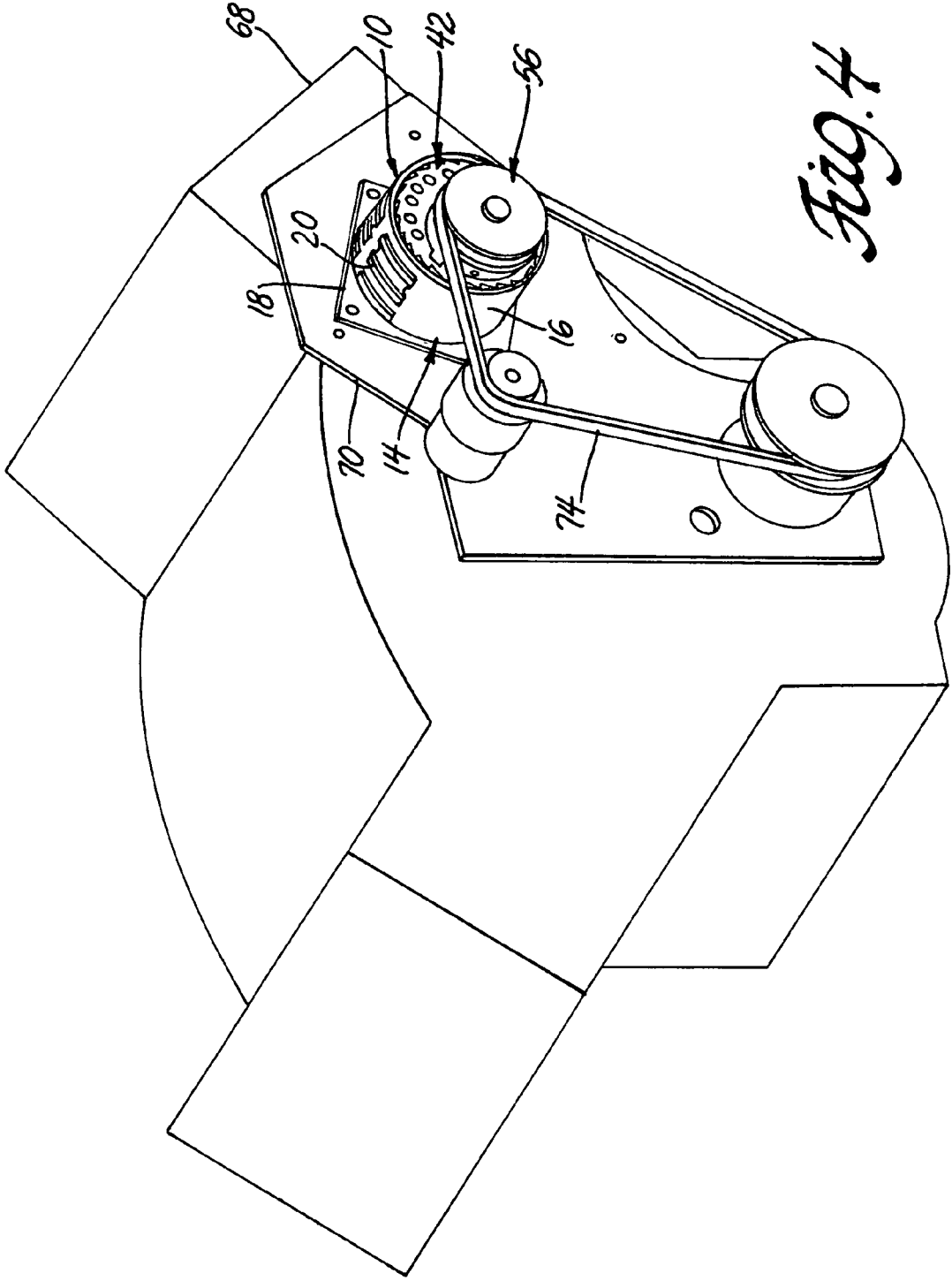
*Fig. 1*

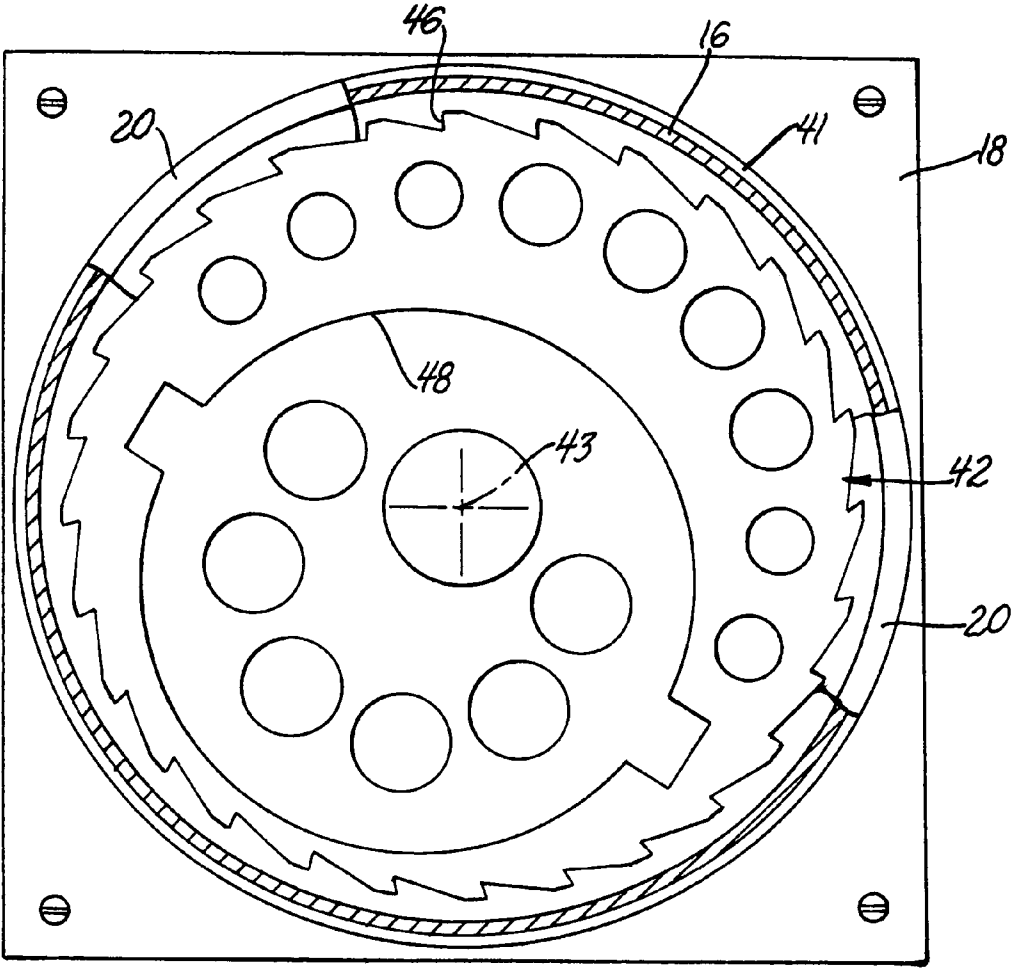


*Fig. 2*

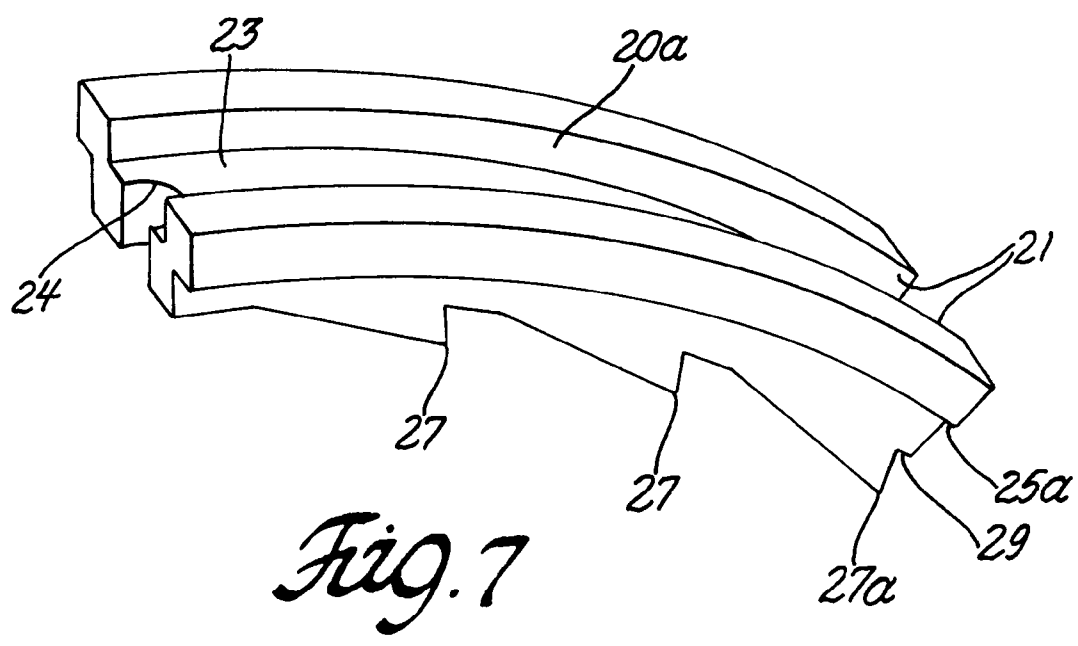
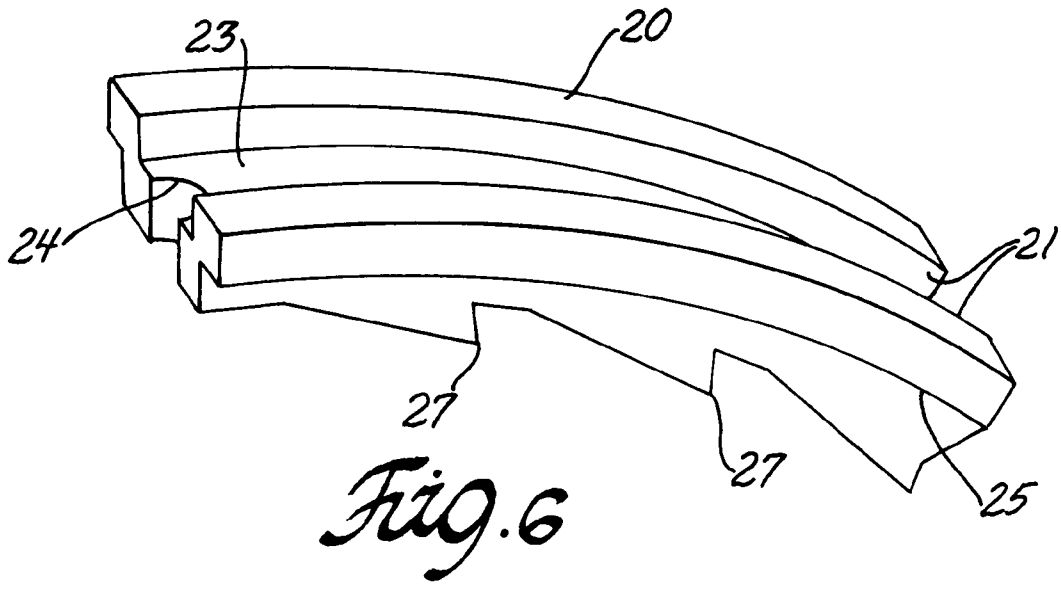


*Fig. 3*





*Fig. 5*



1

## ECCENTRIC MOUNTING AND ADJUSTMENT SYSTEM FOR BELT DRIVEN DEVICES

### GOVERNMENT INTEREST

The invention described herein may be made, used, and licensed by, or for, the United States Government for governmental purposes without paying me any royalty.

### BACKGROUND AND SUMMARY

The present invention relates to an eccentric mounting and adjustment (EMA) system for belt driving or belt driven devices that are installed and operated within the restricted confines of an engine compartment, typically a motor vehicle. It satisfies two essential requirements for automotive devices driven by an endless flexible belt. These are: 1) a reliable mounting to the engine block assembly, and 2) a continuous provision of a proper amount of tension to the belt for either driving or driven devices. As a result, there is minimal wear and tear on device bearings and the belt, which reduces operational failures and assures maximum efficiency for these devices.

The term "belt driven device" includes those devices within motor vehicles that are serviced by endless belts, such as power steering pumps, air compressors, water pumps, generators, alternators, cooling fans, sheaves, idlers, pulleys, water extraction and recycle systems, and other ancillary devices customarily used by motor vehicles with internal combustion engines. A drive device is one that is directly connected to an output shaft of said engine and uses a flexible endless belt to drive at least one driven device, such as an alternator.

Further, a mechanic must avoid accidents while working in the restricted confines of an engine compartment to avoid any mishap to himself or to sensitive engine components. Such accidents could potentially disrupt or disable hydraulic, electrical, and mechanical systems located therein. Also, the mechanic or operator must perform all installation, adjustment, and removal work very quickly with minimal efforts and support in either the field or the shop. Finally, uncomfortable or awkward positions while working should be avoided to avoid personal injury.

My invention allows any flexible belt of the armed forces' inventory to be readily removable, installable, and adjustable by a single person using the simplest of tools, such as a large screwdriver, a pair of pliers, or an elongated rod of about 1/2 inch in diameter. Thereby, I have avoided former frustrations and expenses involving special tools or fasteners, which can be lost or misplaced. Moreover, minimal force and exertion are expended.

Furthermore, this invention does not significantly modify or depart from standard procedures currently used by motor pools for maintaining belts, drives, and driven devices. For example, electrical connections are easily made by using a simple bayonet or coaxial connector that, in form, resembles the ends of modern "jumper cables" employed by the US Military, such that positive and negative poles are axially symmetric. Similarly, connections for mechanical or hydraulic systems are just as easily made by conventional methods at the rear of my invention.

It is to be understood that the readiness requirements for military vehicles are unusual, and thereby necessitate more reliable and rugged designs than their commercial counterparts. The components must have a good tolerance for more frequent shocks, vibrations, and thermal events because they

2

frequently go from prolonged periods at standing idle to wide open cross-country travel. Further, present art approaches have the potential for reducing readiness, increasing maintenance frequency and costs, as well as exposing personnel to undue risks to reattach or tension belts while engaged in awkward positions or extreme reaches.

For military vehicles, belt performance is critical with regard to the tension that is maintained on them. With use, the belts can become loose and full torque is not easily transmitted to the driven devices. Thereafter, the belts can slip and become more damaged. If the belts are too tight, excessive wear can result in the bearing assemblies of the driving or driven devices as well as causing belt shredding or separation. This impacts operating efficiency.

It is therefore an object of this invention to provide an EMA system that properly tensions an endless drive belt. It is a separate object to provide such a system that requires less manual force and effort while installing, tensioning, and operating. It is another object to provide a functional EMA system that is mechanically durable, economical to produce, reliable in construction, simple to manufacture, and capable of achieving a long or trouble free service life.

These and other objects, features, and advantages of this invention will be apparent to those skilled in the relevant arts upon a full reading of this specification and the appended claims which explain and define the aspects and principals of this invention.

### BRIEF DESCRIPTION OF THE DRAWINGS

FIG. 1 is an exploded perspective view of the eccentric mounting and assembly system of the present invention.

FIG. 2 is an end view of the base housing member of FIG. 1.

FIG. 3 is a side view of FIG. 2.

FIG. 4 is a perspective view of the present invention mounted to an engine block assembly.

FIG. 5 is an end view of the invention minus the driven device showing elastic bands and gripping pawls holding the socket in a secure, tensioned position.

FIGS. 6 and 7 are perspective views showing greater detail of the gripping pawls of this invention.

### DETAILED DESCRIPTION

FIG. 1 depicts an eccentric mounting and assembly system 10. FIG. 4 shows a typical mounting of system 10 to a plate 70 on the engine block 68, wherein the assembly is affixed to plate 70 by bolts passing through the system's rectangular base 18. Plate 70 can be spaced from the engine block to allow clearance for electrical or fluid conduits passing from driven a device 56 through base 18. An endless drive belt 74 rotates driven device 56 in conventional fashion. Besides device 56, system 10 includes an eccentric socket 42 and a housing member 14.

Returning to FIG. 1, device 56 fits within receiving aperture 48 of socket 42, which preferably is fashioned of a high-strength, heat resistant, non-metallic material. Device 56 is non-rotatably seated in socket 42 by the shape of the socket, or by alternate means, such as axial fixation within the socket by the use of wedges, lugs, flats, or pins. For instance, at least one lug 62 that extends outwardly from the circular surface of driven device 56 could be slidingly inserted within a conforming slot 50 of the internal wall of the eccentric socket 42. Optionally, lug 62 and slot 50 can be angled so they effectively have a slightly spiraled or threaded engagement,



such that rotation force exerted on device **56** by a drive belt screws the device into socket **42**, thereby seating the device in the socket.

With reference to FIGS. **1** through **3**, the housing member **14** includes a cylindrical portion **16**, having an open end **39**, with the opposite end of said portion fixedly attached to rectangular base **18**. The rectangular base has an annular resting surface **17** which defines central aperture **19**, which is smaller in diameter than cylindrical portion **16**. Aperture **19** provides ventilation while surface **17** provides a stop or rest for both socket **42** and driven device **56** within the socket.

As seen in FIG. **5**, automotive quality elastic bands, as at **41**, are placed about the cylindrical portion **16** so as to hold generally arcuate gripping pawls **20** thereon. Pawls **20** define arcuate channels **23** (FIGS. **6** and **7**) that accommodate bands **41** and prevent their escape from the pawls. Portion **16** is shown in section in FIG. **5** so that it can be easily distinguished from the bands. Normally, each band will hold a set of two or more concentric, arcuate pawls on cylindrical portion **16** so as to retain the pawls in sets of complementary pawl slots, as at **28**, **30** and **32**. The complimentary sets of slots and pawls are shown in FIG. **1**. Teeth **27** of the pawls (FIGS. **6** and **7**) engage tooth-like elements on the outer periphery of socket **42** when the socket is inserted in housing member **14**. As with socket **42** it is expected that the pawls will be fashioned of a high-strength, heat-resistant, non-metallic material.

The various pawls and slots in FIG. **1** may be regarded as being in a three-by-three array, where apertures or slots **28** and the associated pawls are in the first row of the array. Slots **30** and their associated pawls are in the second row, and slots **32** and their associated pawls are in the third row. The three slots and pawls most distant from base **18** are in the first column, the next most distant slots and pawls are in the second column, and the slots and pawls closest to base **18** are in the third column. A given elastic band **41** retains pawls of one column in slots of that column.

Pawls **20** can be retained by bands **41** or by a friction fit with their associated slots or by both means. Thus retained, the pawls hold socket **42** in housing member **14** by means of pawl teeth **27**, which mesh with or grip the socket's two gear-like annular regions **34** and **36**. Each of these regions comprises a multitude of teeth **46**. Teeth **46** have flat, relatively more radially oriented faces **45** alternating with relatively less radially oriented slopes **47**. Annular regions **34** and **36** are separated by an annular groove **40**. As desired for weight reduction or for cooling, socket **42** may be provided with apertures **54**, which may be cast, injected, or machined into the socket.

Positioned approximately 60 degrees apart within groove **40** are adjustment holes **44**. When socket **42** is within housing member **14**, holes **44** align with slots **28**, **30** and **32** in the second column in the array described above. Adjustment holes **44** receive tools which turn socket **42** within housing member **14** about its own axis **43** (FIG. **5**). Turning the socket clockwise moves device **56** to tighten belt **74** (FIG. **1**) due to eccentricity of the socket's receiving aperture **48**, which holds the device. The tools used for turning the socket can be very simple, such as a large screwdriver, a pair of pliers, or an elongated rod of about 1/2 inch in diameter that will fit into adjustment holes **44**.

As eccentric socket **42** is turned clockwise with housing member **14**, one or more pawls **20** ratchet on each tooth **46**. When socket **42** reaches a suitable position, pawl teeth **27** lock with teeth **46**. In this position, socket **42** holds device **56** in a placement that maintains belt tension. The pawls may be held in position not only by band **41**, but also by friction fit with the pawl slots. The pawls will friction fit within one or

more pawl slots **26**, **30** or **32**, or a combination of these. Ideally each of the gear-like annular regions **34** and **36** will then be held in position by two or more pawls **20** gripping teeth **46**.

In practice, not all the pawl slots will be filled by pawls. As little as two gripping pawls **20** are all that is necessary to hold the socket **42** in position as shown in FIG. **5**. Some of the pawl slots can be left vacant to facilitate an immediate inspection of the sprocket **42**. Likewise, inspection can also be made of electrical or fluid connection elements(s) **52** between device **56** and engine block **68**.

Additionally, it may be preferable that the pawl teeth **27** associated with one column not be angularly aligned with the socket **42** teeth of another column. For example, if the ratchet teeth **46** are every 6 degrees and the pawl teeth **27** are every 6 degrees, the first column (See paragraph 0021) will align the pawl teeth with ratchet teeth only every 6 degrees of rotation of the ratchet **42**. If, however, the second column is offset by  $(n \times 6) + 2$  degrees ( $n$  being an integer to determine the angular offset) and the third column is offset by another +2 degrees, the ratchet **42** teeth will be engaged every 2 degrees by one or another of the three columns. Thus, a three fold finer control of tension of the belts may be achieved.

FIG. **6** shows further details of pawl **20** which mates with pawl slots **28**, **30** and **32**. Pawls **20** have shoulders **21** whose undersides **25** rest on cylindrical housing **16** when the pawls are placed in their slots. Pawls **20** define frontal alignment notches **24**, which accommodate tabs **22** of the pawl slots. The notches and tabs prevent the pawls from being placed backwards in the slots. In alternate pawl **20a** shown in FIG. **7**, shoulder **25** has been extended rearward. This allows the rear of pawl **20a** to be rested upon housing **16**. Pawl **20a** is also modified to provide a pawl ridge **29** on its rear tooth **27a**. This ridge allows the pawl tooth to rest at a higher elevation on housing **16** which in turn raises the modified pawl tooth **27a** further above the socket **42**. This higher elevation will limit any contact with the teeth **46** of socket **42** until pawl **20a** is completely placed within a pawl aperture.

Returning to FIG. **1**, the pertinent features of the driven device **56** include a driven pulley **58** having cooling means **60** and a threaded mounting aperture **66** bored within one or more lugs **62** for the compatible receipt therein of a screw having complementary threading with aperture **66**. Said screw can operate in combination with assorted locking devices and washers that are ordinarily employed to assemble driven devices in the automotive industry.

The main components of the cooling means **60** of driven device **56** include a fan **59** and a plurality of cooling apertures or vents **57**. At the rear of the driven device, an electrical output connector element **52** extends for mating with any compatible connector element. Typical connectors are a bayonet, spade, or coaxial connector that will connect to a complementary female acceptor coming from the engine block assembly. The connector mating is conventional and is not shown for simplicity within the drawings. Additionally, the driven device could be a water pump which would require conventional fluid connectors.

I wish it understood that I do not desire to be limited to the exact details of construction or method shown herein since obvious modifications will occur to those skilled in the relevant arts without departing from the spirit and scope of the following claims.

The invention claimed is:

1. For an engine assembly that includes an endless belt and a device on the assembly engaged by the belt, an eccentric

5

mounting and adjustment system for receiving the device and adjusting the position of the device to affect tension of the belt, the system comprising:

- a housing member fixed to the engine assembly;
- an array of pawl apertures defined by the housing member;
- removable pawls on the housing member,
- means for retaining the pawls on the housing member with at least one of the removable pawls in a selected one of the pawl apertures;
- pawl teeth on the pawls projecting inwardly relative to the housing member;
- a socket accepted by the housing member and rotatable therein about a socket axis;
- socket teeth on the socket engaged by the pawl teeth;
- a receiving aperture defined by the socket for receiving the device; and
- means for preventing relative rotation between the socket and the belt driven device;
- wherein the receiving aperture is disposed eccentrically relative to the socket axis,

6

whereby rotating the socket moves the device and thereby adjusts tension of the belt.

2. The system of claim 1 wherein the device has a connector element to mate with a fluid connection or an electrical connection to the engine assembly and wherein the system further comprises:

- a base of the housing member; and
- an accommodation aperture defined by the base for allowing passage of the connector element through the base, the accommodation aperture being smaller than the device, whereby the base retains the device and the socket in the housing member.

3. The system of claim 1 wherein the socket has two sets of the socket teeth, the socket teeth of one set being angularly offset from the socket teeth of the other set.

4. The system of claim 1 wherein first pawl teeth are angularly offset from second pawl teeth.

5. The system of claim 1 wherein the socket defines tool accommodation holes, the accommodation holes registering with selected ones of the pawl apertures.

\* \* \* \* \*