



US00D568437S

(12) **United States Design Patent** (10) **Patent No.:** **US D568,437 S**
McBurney et al. (45) **Date of Patent:** **** May 6, 2008**

(54) **FIREARM MOUNT BRACKET**
(75) Inventors: **Leonard G. McBurney**, Pinckney, MI (US); **James C. Douglas**, Livonia, MI (US)
(73) Assignee: **The United States of America as represented by the Secretary of the Army**, Washington, DC (US)

Primary Examiner—Ian Simmons
Assistant Examiner—Melanie Levy
(74) *Attorney, Agent, or Firm*—David L. Kuhn; Thomas W. Saur; Luis Miguel Acosta

(**) Term: **14 Years**

(57) **CLAIM**

The ornamental design for a firearm mount bracket, as shown and described.

(21) Appl. No.: **29/286,101**

DESCRIPTION

(22) Filed: **Apr. 9, 2007**

(51) **LOC (8) Cl.** **22-01**

(52) **U.S. Cl.** **D22/108**

(58) **Field of Classification Search** D22/108,
D22/100, 199, 109, 110; D12/114; 102/430;
89/40.01, 40.03, 37.04; 211/64; 224/311,
224/442, 413, 571, 551; 42/111, 114, 94;
D6/552

See application file for complete search history.

The invention described here may be made, used and licensed by and for the U.S. Government for governmental purposes without paying royalty to us.

FIG. 1 is a front, top, and left side perspective view of a firearm mount bracket for vehicle showing our new design;

FIG. 2 is a front, top and left side perspective view thereof shown in an alternate environment;

FIG. 3 is a front, top and left side perspective view thereof;

FIG. 4 is a front, top, and right side perspective view thereof shown in an alternate environment;

FIG. 5 is a front, top, and right side perspective view thereof with the latch in a closed position;

FIG. 6 is a front, top, and right side perspective view thereof with the latch rotated to an open position;

FIG. 7 is a top plan view thereof;

FIG. 8 is a bottom plan view thereof;

FIG. 9 is a front side view thereof with the latch in a closed position;

FIG. 10 is a rear side view thereof;

FIG. 11 is a left side elevation view thereof;

FIG. 12 is a right side elevation view thereof; and,

FIG. 13 is a front, left side isometric view thereof with the latch rotated to an open position.

The broken lines are for illustrative purposes only and form no part of the claimed design.

(56) **References Cited**

U.S. PATENT DOCUMENTS

2,919,058	A	12/1959	Thompson	
4,450,989	A	5/1984	Bogar, Jr.	
4,607,772	A *	8/1986	Hancock	224/913
4,776,471	A	10/1988	Elkins	
D310,446	S	9/1990	Elkins	
D345,273	S *	3/1994	Horn	D6/552
5,350,094	A *	9/1994	Morford	224/551
D356,541	S	3/1995	Morford	
D365,715	S	1/1996	Zebbedies	

(Continued)

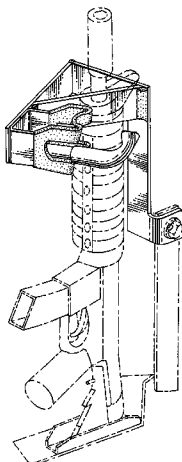
OTHER PUBLICATIONS

Department of the Army, Excerpts From TM 5-2420-230-241, Oct. 2003, 4 pages.

WIKIPEDIA, "National Stock Number", Hardcopy printout from Website http://en.wikipedia.org/wiki/National_Stock_Number, Mar. 12, 2007, 2 pages.

* cited by examiner

1 Claim, 10 Drawing Sheets



Report Documentation Page

Form Approved
OMB No. 0704-0188

Public reporting burden for the collection of information is estimated to average 1 hour per response, including the time for reviewing instructions, searching existing data sources, gathering and maintaining the data needed, and completing and reviewing the collection of information. Send comments regarding this burden estimate or any other aspect of this collection of information, including suggestions for reducing this burden, to Washington Headquarters Services, Directorate for Information Operations and Reports, 1215 Jefferson Davis Highway, Suite 1204, Arlington VA 22202-4302. Respondents should be aware that notwithstanding any other provision of law, no person shall be subject to a penalty for failing to comply with a collection of information if it does not display a currently valid OMB control number.

1. REPORT DATE 06 MAY 2008	2. REPORT TYPE N/A	3. DATES COVERED -	
4. TITLE AND SUBTITLE Firearm Mount Bracket		5a. CONTRACT NUMBER	
		5b. GRANT NUMBER	
		5c. PROGRAM ELEMENT NUMBER	
6. AUTHOR(S) Leonard G. McBurney; James C. Douglas		5d. PROJECT NUMBER	
		5e. TASK NUMBER	
		5f. WORK UNIT NUMBER	
7. PERFORMING ORGANIZATION NAME(S) AND ADDRESS(ES) US Army RDECOM-TARDEC 6501 E 11 Mile Rd Warren, MI 48397-5000		8. PERFORMING ORGANIZATION REPORT NUMBER 18963	
9. SPONSORING/MONITORING AGENCY NAME(S) AND ADDRESS(ES)		10. SPONSOR/MONITOR'S ACRONYM(S) TACOM/TARDEC	
		11. SPONSOR/MONITOR'S REPORT NUMBER(S) 18963	
12. DISTRIBUTION/AVAILABILITY STATEMENT Approved for public release, distribution unlimited			
13. SUPPLEMENTARY NOTES Patent No.: US D586,537 S			
14. ABSTRACT			
15. SUBJECT TERMS			
16. SECURITY CLASSIFICATION OF:			17. LIMITATION OF ABSTRACT SAR
a. REPORT unclassified	b. ABSTRACT unclassified	c. THIS PAGE unclassified	
19a. NAME OF RESPONSIBLE PERSON			

US D568,437 S

Page 2

U.S. PATENT DOCUMENTS									
5,531,368	A *	7/1996	Morford	224/551	6,293,447	B1	9/2001	Jorgensen	
5,779,120	A *	7/1998	Morford	224/571	6,360,931	B1 *	3/2002	Morford	224/551
D397,403	S	8/1998	Zebbedies		6,742,687	B2 *	6/2004	Morford	224/551
6,047,870	A *	4/2000	Morford	224/551	6,986,446	B2	1/2006	Murray et al.	
D428,962	S *	8/2000	Morford	D22/108	7,043,864	B1 *	5/2006	Reed	42/111
					D530,960	S	10/2006	Osiecki et al.	

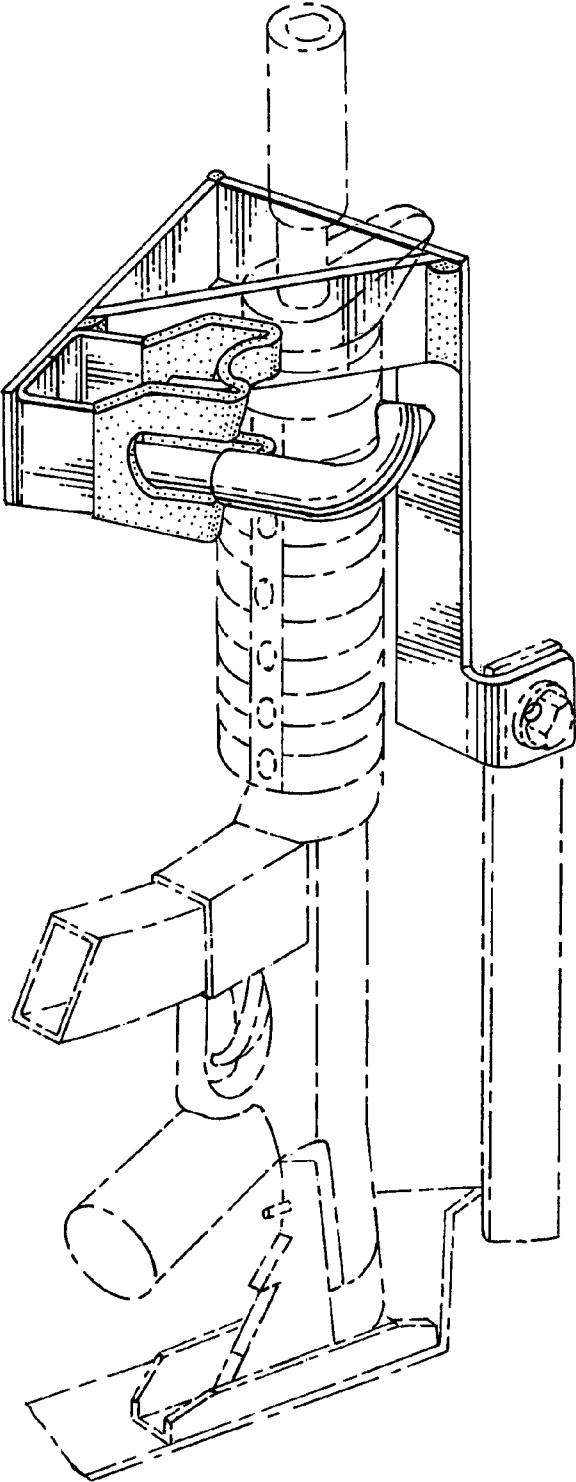


Fig. 1

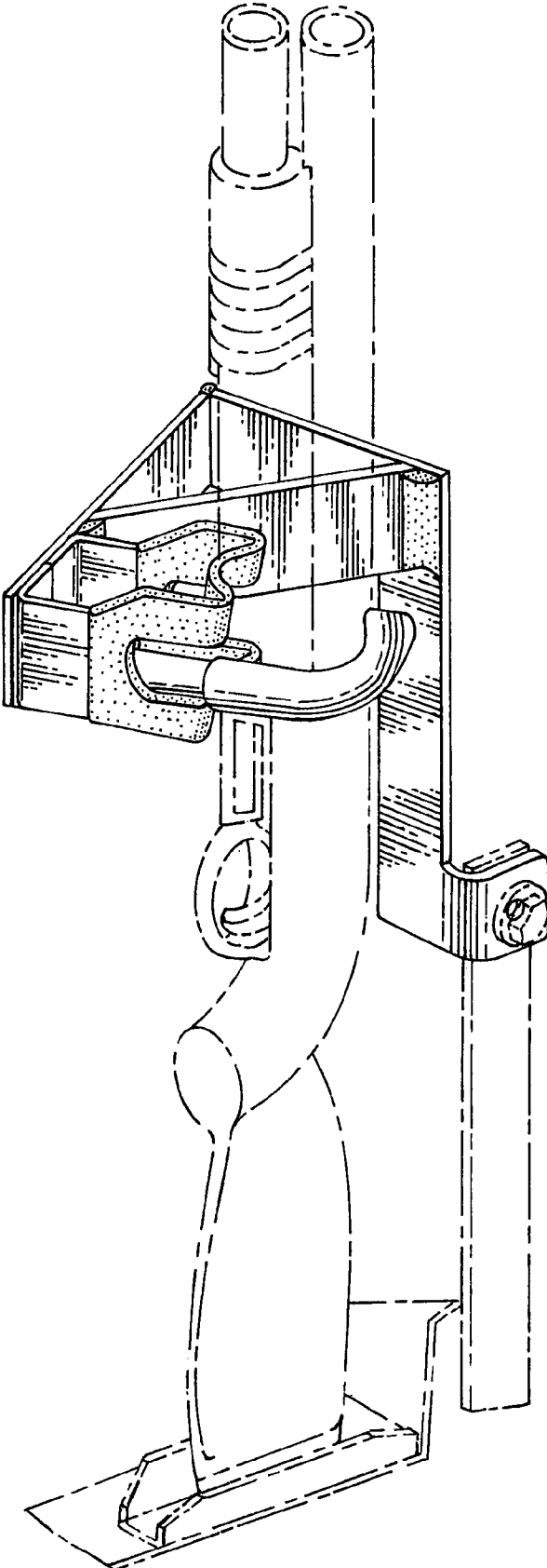


Fig. 2

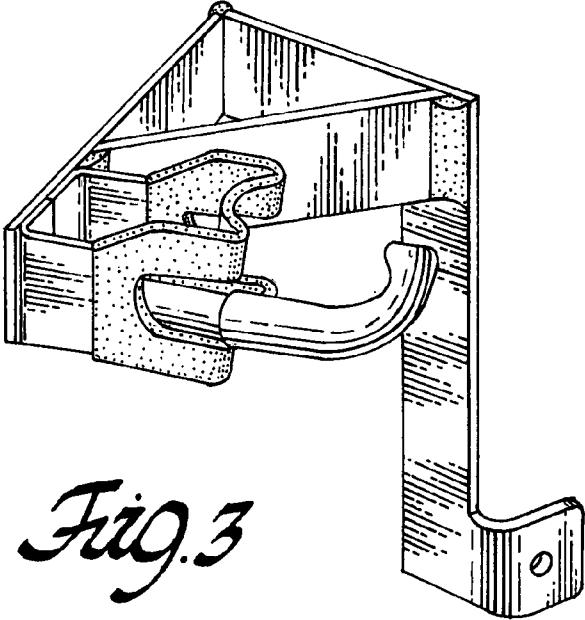


Fig. 3

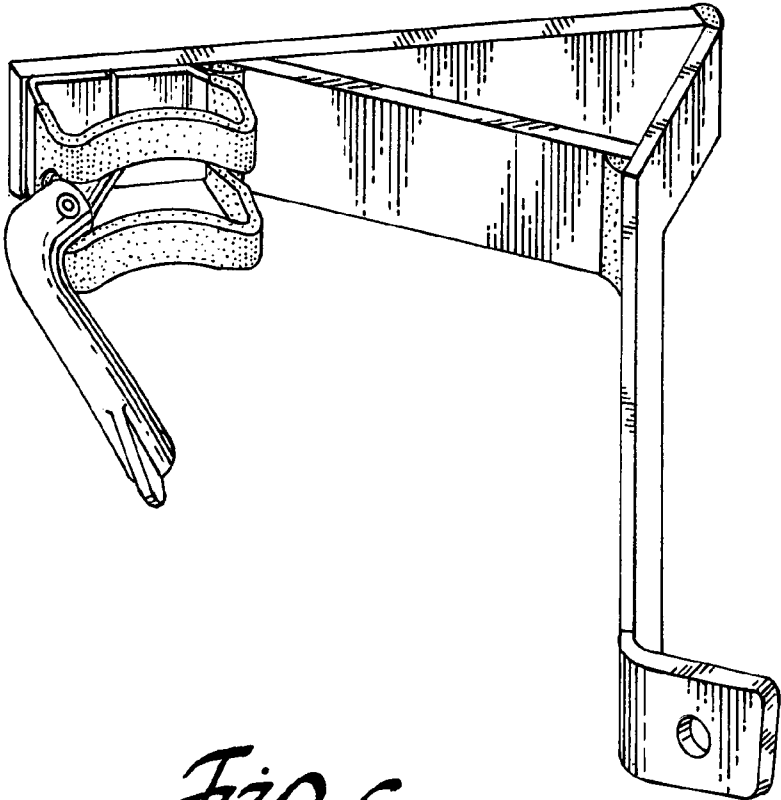


Fig. 6

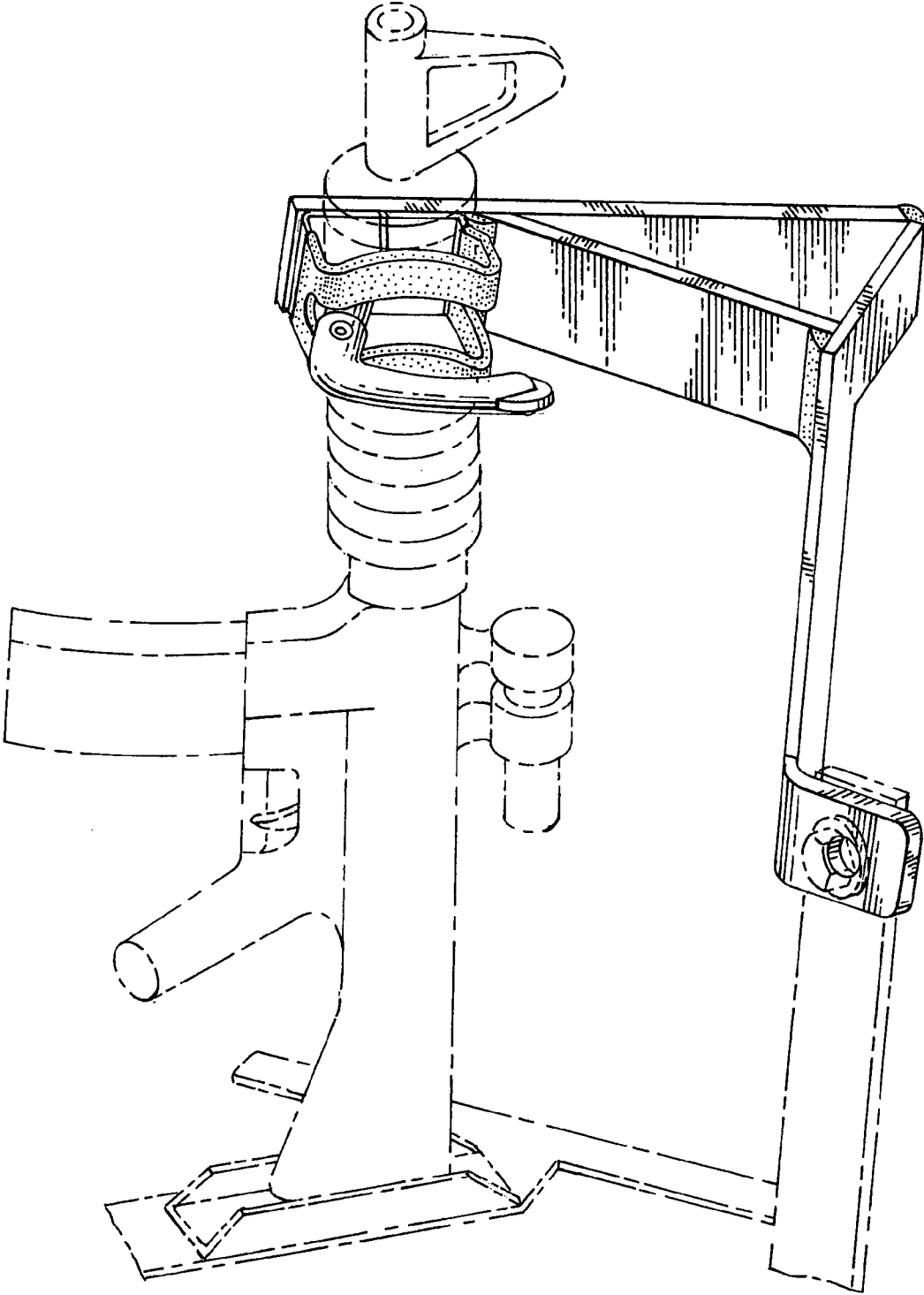


Fig. 4

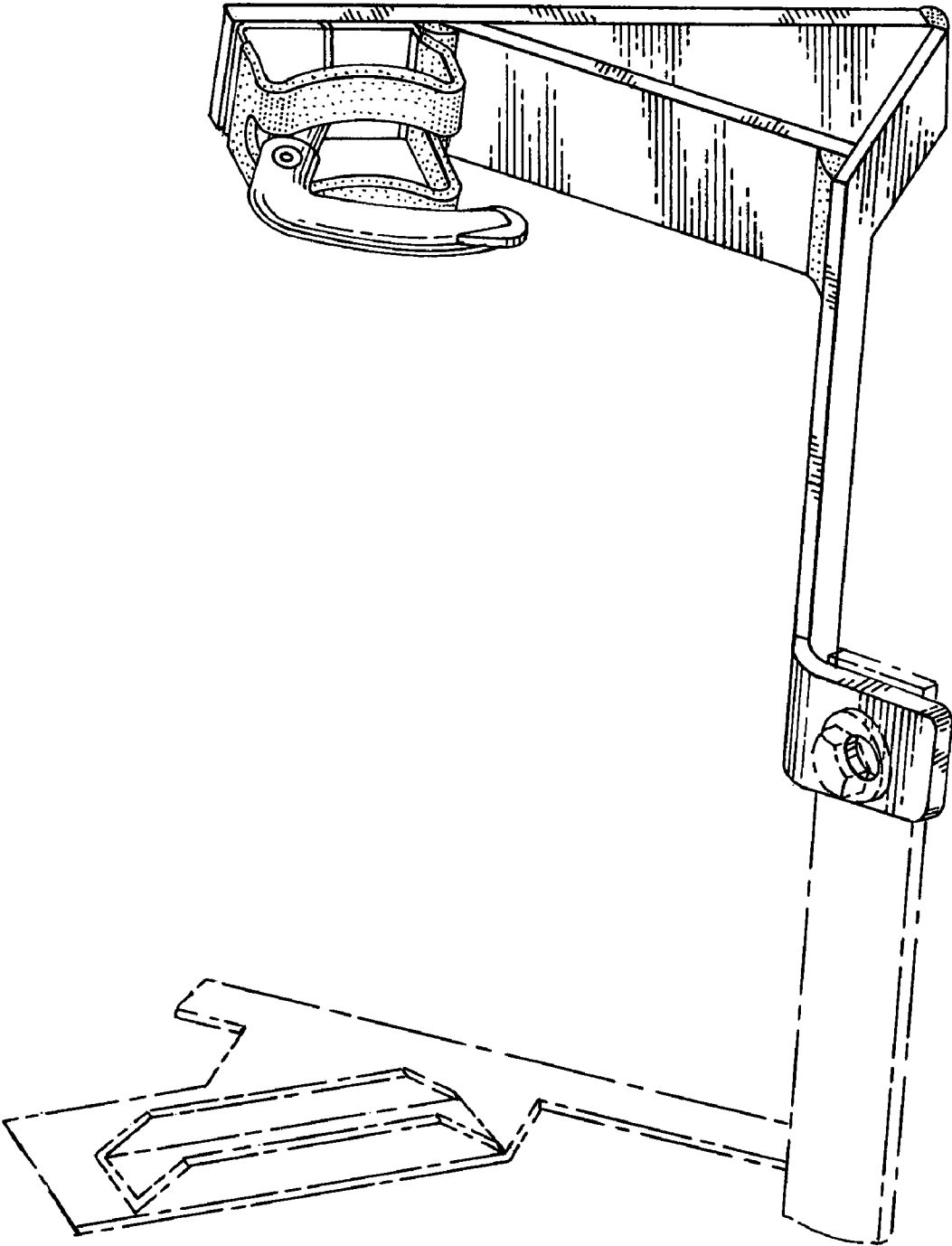


Fig. 5

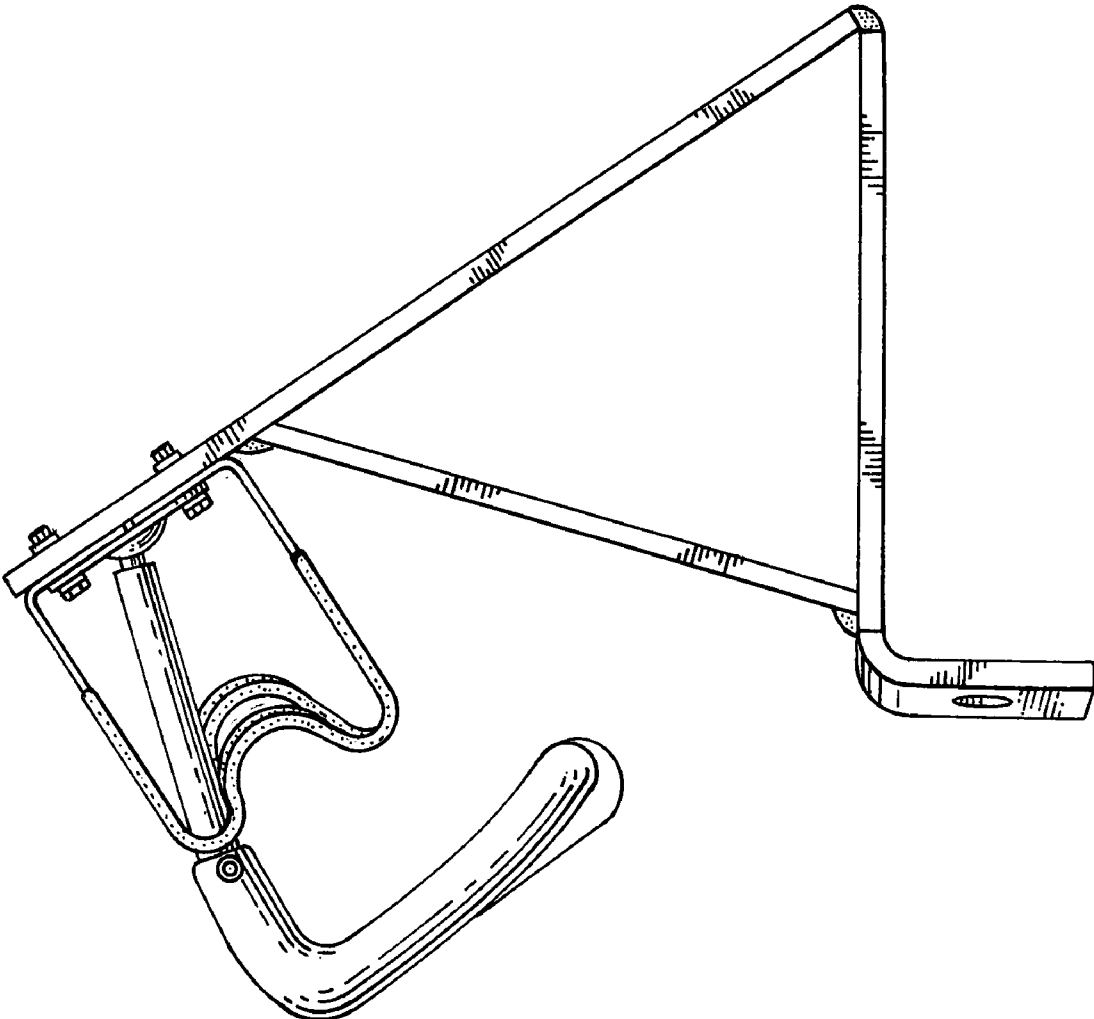


Fig. 7

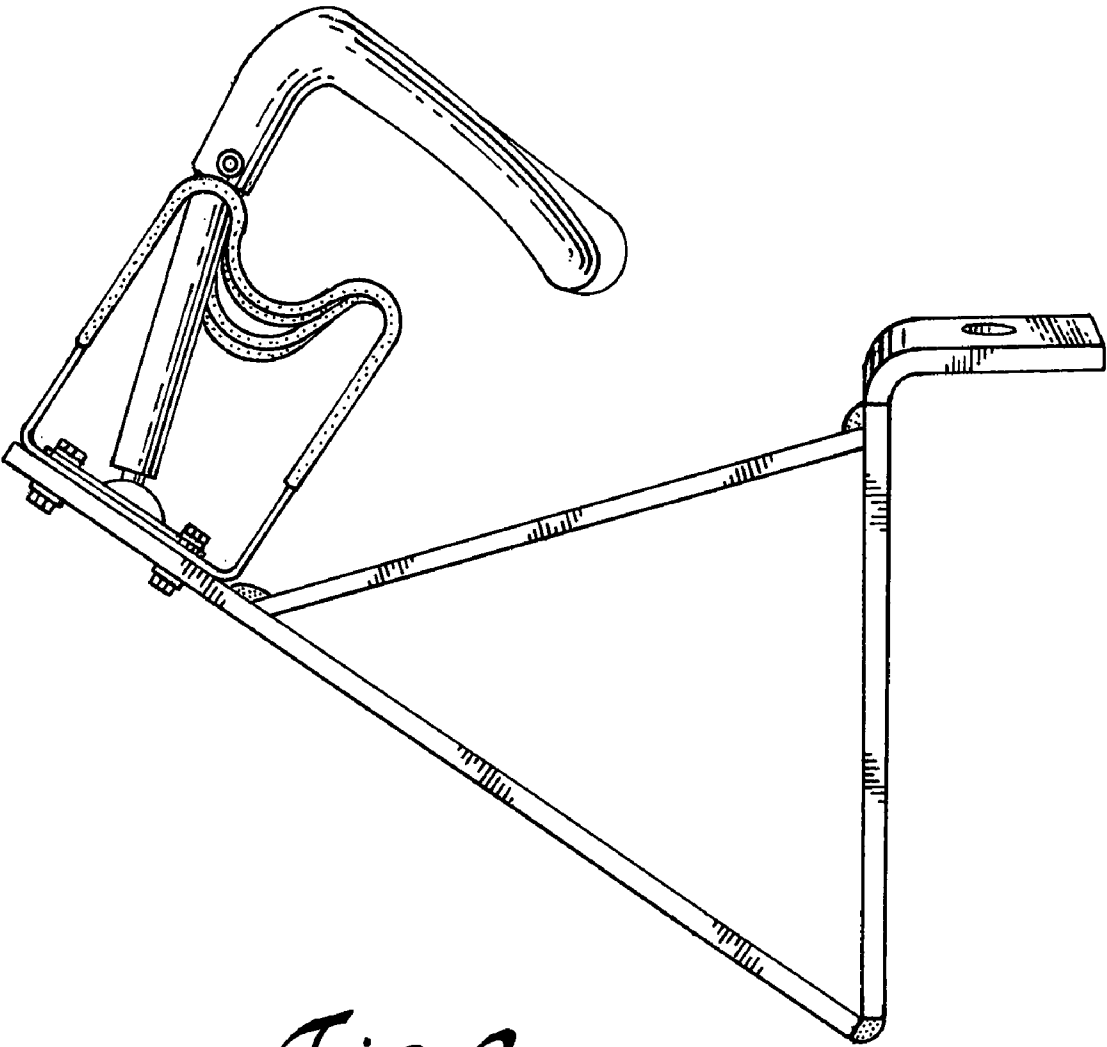


Fig. 8

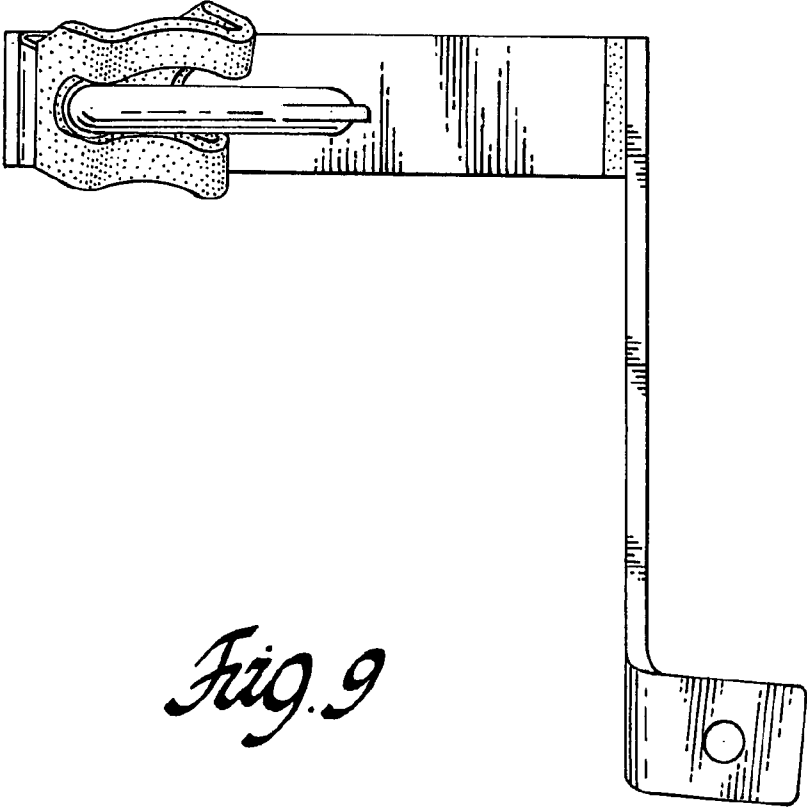


Fig. 9

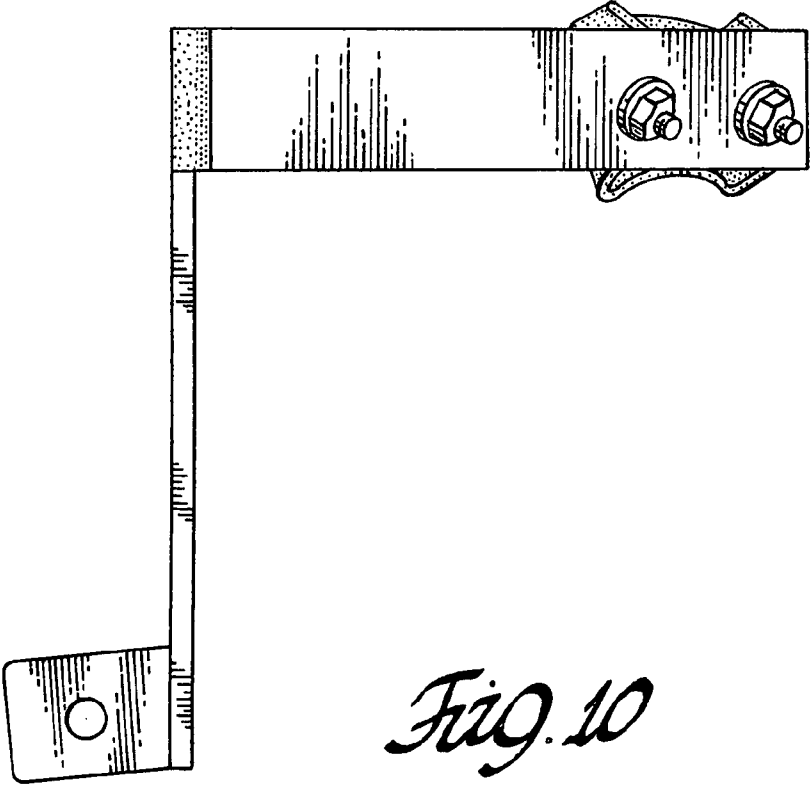


Fig. 10

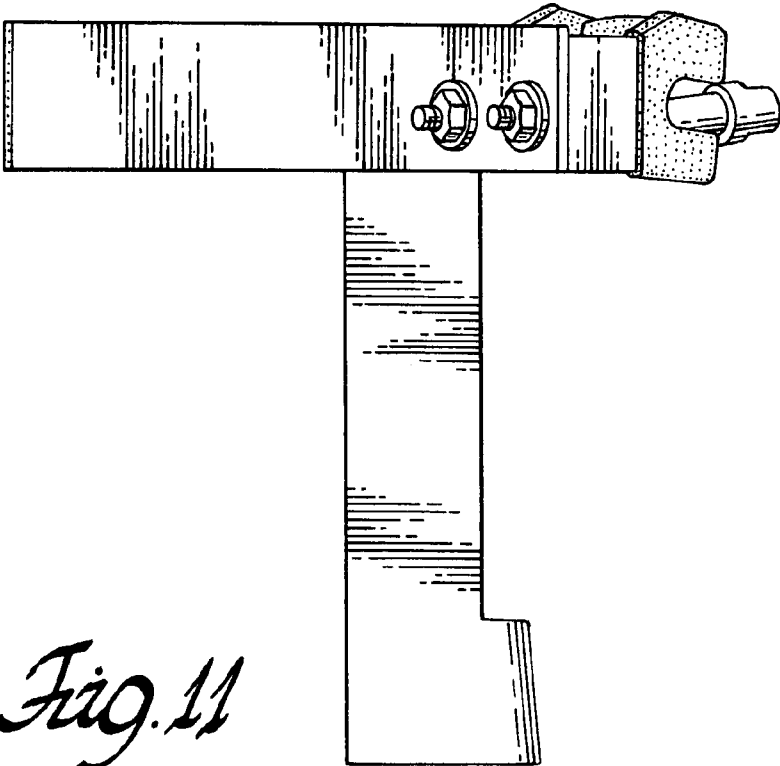


Fig. 11

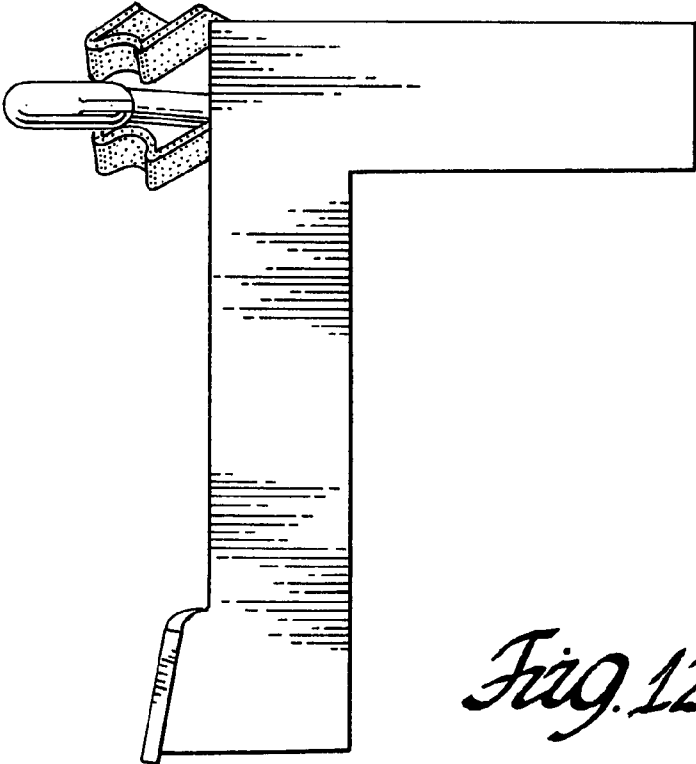


Fig. 12

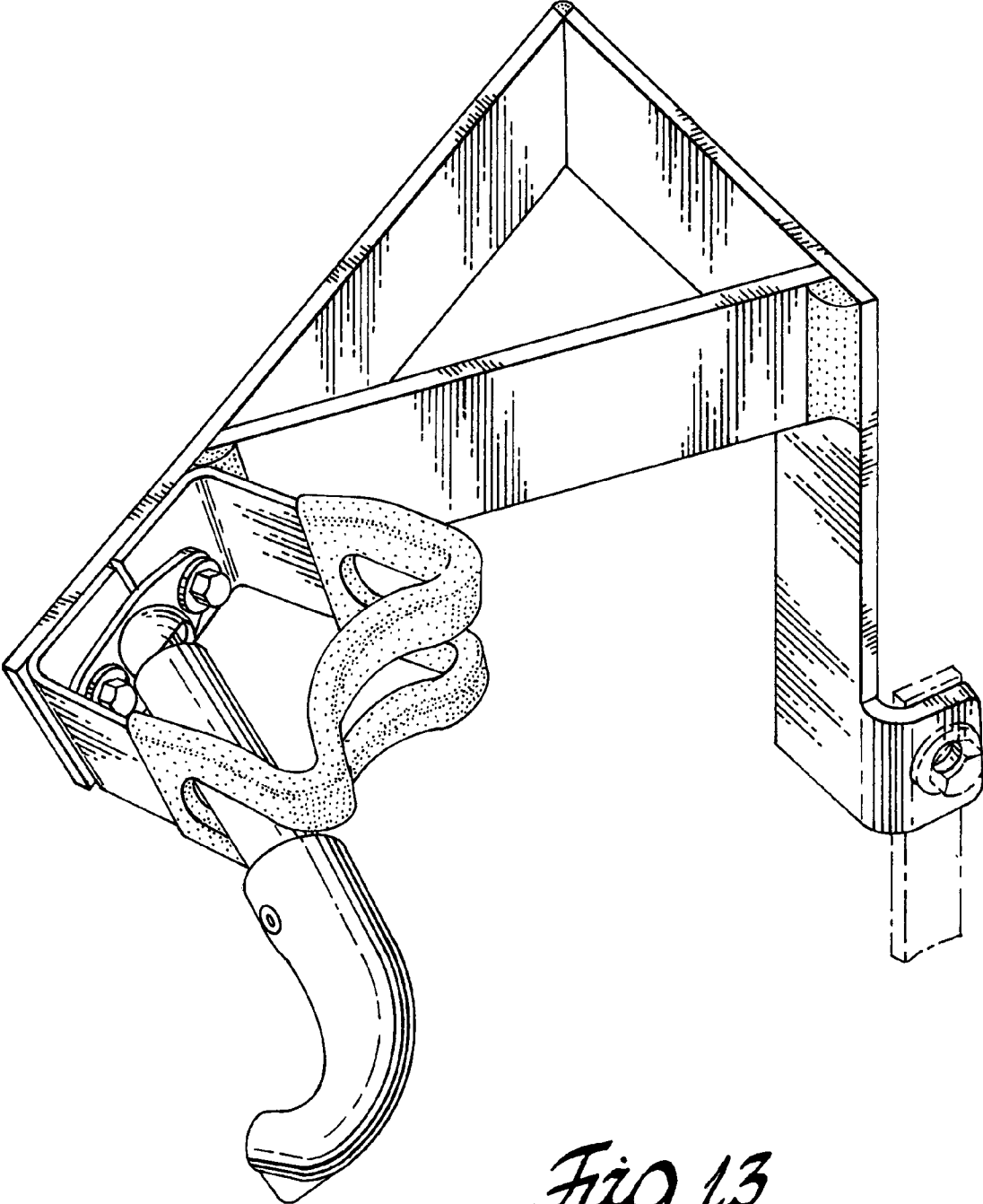


Fig. 13