

Serial No.: 09/845,111

Filing Date: 27 April 2001

Inventor: Keith J. Williams

NOTICE

The above identified patent application is available for licensing.
Requests for information should be addressed to:

ASSOCIATE COUNSEL (PATENTS)
CODE 1008.2
NAVAL RESEARCH LABORATORY
WASHINGTON DC 20375

20010629 016

PATENT APPLICATION/TECHNICAL DIGEST PUBLICATION RELEASE REQUEST

FROM: Associate Counsel (Patents) (1008.2)

TO: Associate Counsel (Patents) (1008.2)

Via: (1) Keith J. Williams (Code 5650)
(2) Division Superintendent (Code 5600)
(3) Head, Classification Management & Control (Code 1221)

SUBJ: Patent Application/Technical Digest entitled: "**HIGH POWER FIBER OPTIC MODULATOR SYSTEM AND METHOD**" request for release for publication.

REF: (a) NRL Instruction 5510.40C
(b) Chapter 6, ONRINST 5870.1C

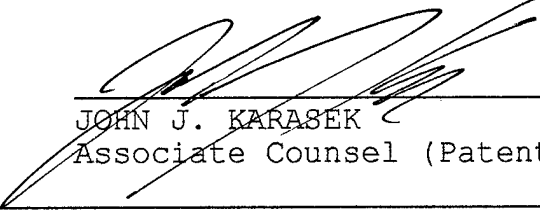
ENCL: (1) Copy of patent Application/Technical Digest

1. In accordance with the provision of references (a) and (b), it is hereby requested that the subject Patent Application/Technical Digest be released for publication.

2. It is intended to offer this Patent Application/Technical Digest to the National Technical Information Service, for publication.

3. This request is in connection with Navy Case No. **80,245.**

15 May 01
(date)



JOHN J. KARASEK
Associate Counsel (Patents)

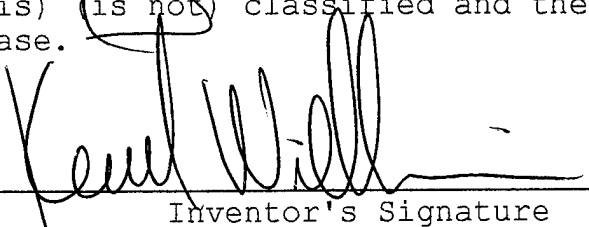
FIRST ENDORSEMENT

Date:

FROM: Keith J. Williams (Code 5650)

TO: Division Superintendent (Code 5600)

1. It is the opinion of the Inventor(s) that the subject Patent Application/Technical Digest (is) (is not) classified and there is no objection to public release.



Inventor's Signature

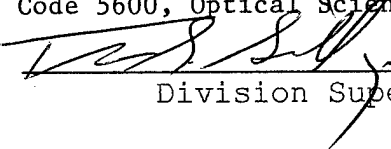
SECOND ENDORSEMENT

Date: 23 May 2001

FROM: Division Superintendent (Code 5600)
TO: Classification Management & Control (Code 1221)

1. Release of Patent Application/Technical Digest (is) (~~is not~~) approved.
2. To the best knowledge of this Division, the subject matter of this Patent Application/Technical Digest ~~(has)~~ (has not) been classified.
3. This recommendation takes into account military security, sponsor requirements and other administration considerations and there in no objection to public release.

Dr. Thomas G. Giallorenzi, Superintendent
Code 5600, Optical Sciences Division




Division Superintendent

THIRD ENDORSEMENT

Date:

FROM: Head, Classification & Control (Code 1221)
TO: Associate Counsel (Patents) (1008.2)

1. This Patent Application/Technical Digest is authorized for public release.



Head, Classification, Management & Control

HIGH POWER FIBER OPTIC MODULATOR SYSTEM AND METHOD
Inventors: Shane Strutz and Keith Williams

FIELD OF THE INVENTION

[0001] This invention relates to transmission and processing of electrical signals using an optical carrier. More particularly, it relates to a fiber optic modulator system for modulating high power optical carriers to increase the optical power from the modulator without exceeding the optical power damage threshold imposed by the modulator.

BACKGROUND AND SUMMARY OF THE INVENTION

[0002] The low loss and large intrinsic bandwidth of fiber-optic links make them invaluable for the transmission of information at RF frequencies. In most photonic links, the information is converted from RF signals to optical signals through the use of an external Mach-Zender modulator (MZM). Most electro-optic modulators (EOMs) are based on proton exchanged or Ti-interdiffused waveguides in LiNbO_3 . When an electric field is applied across a waveguide, the optical path length of the waveguide is altered, allowing the phase of the output signal to be controlled. This effect is used to both alter the phase of the light (phase modulators) and to produce amplitude modulation when the waveguide is placed within an interferometer. However, there is a limitation on the amount of light that may be passed through a LiNbO_3 waveguide. This limitation is based on the photorefractive effect, which optically damages LiNbO_3 . The material is not physically damaged, but the high optical fields cause charge migration in the LiNbO_3 , which in turn alters the refractive index of the material, thus reducing the output. Typical values for the optical damage thresholds of Ti: LiNbO_3 and proton exchanged LiNbO_3 are approximately $10\text{MW}/\text{cm}^2$ and $40\text{MW}/\text{cm}^2$, respectively. These threshold levels limit the amount of optical power that may be inserted into a modulator

to about 50-100 mW for Ti: LiNbO₃ modulators and to about 200-400 mW for proton exchange based LiNbO₃ modulators, depending upon the dimensions of the waveguide. Thus, there is a need to enhance the performance of fiber optic links by providing an intrinsic electronic gain, low noise, and higher optical power.

[0003] In one approach as illustrated in Figure 1, a continuous wave optical signal from a source 12 is modulated by an electro-optic modulator (EOM) 16, which is preferably a LiNbO₃ amplitude modulator (MZM), and detected by a high-frequency detector 18. The optical power transmitted through the MZM 16 is limited by its damage threshold, or by compression in the detector 18. Thus, there is a need to overcome the problems encountered by the prior art by improving the analog modulation of a continuous wave (CW) optical signal modulated by an MZM.

[0004] Accordingly, the present invention provides an apparatus and method to increase the output power from LiNbO₃ MZM style optical intensity modulators without exceeding the optical power damage threshold imposed by the modulator. In the exemplary embodiment of the present invention, the fiber optic modulator apparatus of the present invention includes: at least two polarization maintaining (PM) couplers, a piezoelectric transducer (PZT) cylinder, at least one phase modulator. Signals from an optical source are split into two paths by a PM coupler. The two paths form a Mach-Zender Modulator (MZM) with a LiNbO₃ phase modulator in one path and a fiber looped PZT in the other. The LiNbO₃ phase modulator imprints an RF signal onto one path of the MZM cavity, while the fiber wrapped PZT is used to control the path length difference between the two MZM paths. The two optical paths are recombined in a second PM coupler. The second PM coupler and a 1-2% coupler (also referred to as fiber tap) are used to sample a small portion of the MZM output signal which is fed back to a phase locked loop (PLL) circuit for providing feedback voltage to the fiber wrapped PZT in the second arm of the MZM in order to ensure the phase of the signals in the

two arms of the MZM are matched to within a fraction of the laser linewidth. The output power of the modulator is improved by using a LiNbO_3 modulator within a fiber Mach-Zender cavity.

[0005] In another embodiment, a polarization maintaining Erbium Doped Fiber Amplifier (EDFA) is inserted into the MZM cavity of the fiber optical link between the LiNbO_3 phase modulator and the PM coupler of the first optical path.

[0006] In yet another embodiment, a second phase modulator is inserted into the second arm of the fiber MZM to allow for dual-drive modulation or adjustable-chirp modulation.

[0007] In one aspect, the present invention provides a fiber optic modulator system, comprising: an optical source; a first polarization maintaining (PM) coupler for splitting a signal received from the source into two optical paths, the two paths forming a Mach Zender Modulator (MZM); a phase modulator disposed in a first optical path; a piezo-electric transducer (PZT) disposed in a second optical path; a second PM coupler for recombining the first and second paths; and a detector for detecting the output of the MZM. The system of claim 1 further includes a fiber tap for sampling a portion of the MZM output; a d.c. photodetector for detecting the output of the fiber tap; and phase locked loop (PLL) for receiving a signal from said d.c. photodetector and providing a feedback signal to said PZT, thus allowing the relative phases of said first and second paths to be controlled. The PZT preferably controls the optical path length of the second optical path. The phase modulator is preferably of lithium niobate (LiNbO_3). The phase modulator is used to imprint an analog input signal into the first path, the analog input signal modulating a signal from the optical source. The phase modulator enables the phase of input signals to be modulated by an RF signal, the phase modulation is detected by the second PM coupler resulting in constructive and destructive interference. The phase modulator is preferably of the type that maintains the

optical polarization of signals from the optical source which may be a diode pumped Nd:YAG ring cavity laser. The fiber modulator system further comprises a polarization maintaining erbium doped fiber amplifier disposed between the phase modulator and the second PM coupler, a second phase modulator disposed in said second path.

[0008] In another aspect, the present invention provides, in a fiber optic communication system having a plurality of fiber optic modulators and a plurality of fiber optic links, a method of enhancing the performance of fiber optic links comprising the steps of: providing an optical source; providing a first polarization maintaining (PM) coupler for splitting signals from the optical source into first and second paths, the first and second paths forming a Mach-Zender Modulator (MZM) cavity; disposing a phase modulator in the first path; disposing a piezo-electric transducer (PZT) in the second path; disposing a second PM coupler for combining the outputs of the phase modulator and the PZT; and detecting the output of the second PM coupler. The method further comprises providing a fiber tap for sampling a portion of the MZM output; providing a d.c. photodetector for detecting the output of the fiber tap; and providing a phase locked loop (PLL) for receiving a signal from said d.c. photodetector and providing a feedback signal to the PZT, thereby allowing the relative phases of the first and second paths to be controlled. The method further comprises the steps of imprinting an analog RF signal onto the first path using the phase modulator; and controlling the length of the second optical path using the PZT, and disposing a second phase modulator in the second path to allow for dual drive modulation. The output of the second PM coupler is detected using a plurality of high frequency photodetectors. The outputs of the high frequency photodetectors may be subtracted to implement a balanced photodetection scheme.

[0009] In another aspect, the present invention provides a fiber optic link system for transmitting signals from a source to a destination having a fiber optic modulator system, the fiber optic modulator system

comprising: an optical source; a first phase modulator (PM) coupler for splitting a signal received from the source into two optical paths, said two paths forming a Mach Zender Modulator (MZM); a phase modulator disposed in a first optical path; a piezo-electric transducer (PZT) disposed in a second optical path; a second PM coupler for recombining the first and second paths; and a detector for detecting the output of the MZM according to various embodiments of the invention.

[0010] It will thus be seen that according to the present invention a high power fiber optic modulator is provided to overcome the problems faced by the prior art. While the invention has been herein shown and described in what is presently conceived to be the most practical and preferred embodiment, it will be apparent to those of ordinary skill in the art that many modifications may be made thereof within the scope of the invention, which scope is to be accorded the broadest interpretation of the appended claims so as to encompass all equivalent methods and apparatus.

BRIEF DESCRIPTION OF THE DRAWINGS

[0011] FIG. 1 illustrates a basic configuration of a conventional externally modulated optical link;

[0012] FIG. 2 illustrates an exemplary Y-branched Mach-Zender Modulator (MZM);

[0013] FIG. 3 depicts a graphical representation of Mach-Zender Modulator transmission versus bias voltage for the modulator of Figure 2;

[0014] FIG. 4 illustrates an exemplary optical phase-locking system of the present invention;

[0015] FIG. 5 illustrates schematic diagram of the fiber optic modulator system of the present invention;

[0016] FIG. 6 illustrates a schematic diagram of an exemplary experimental configuration used to test the fiber optic modulator of Figure 5;

[0017] FIG. 7 shows a graphical plot of the MZM frequency response data for schematic of Figure 6;

[0018] FIG. 8 illustrates another embodiment of the present invention with a PM-EDFA inserted in the MZM cavity of the fiber optic modulator of Figure 5;

[0019] FIG. 9 illustrates another embodiment of the present invention with a second phase modulator inserted into the second arm (path2) of the fiber optic modulator of Figure 5.

DETAILED DESCRIPTION OF THE INVENTION

[0020] Referring now to FIG. 2, there is shown a method of transmitting information on an optical carrier. A continuous wave (CW) optical signal input at 22 into the MZM 20 is split at the input Y-branch of MZM or modulator 20. The two parallel optical waveguide arms 24, 26 form two phase modulators operating in a push-pull manner. The phase modulation is made possible due to the electro-optic properties of the LiNbO_3 material used for the modulator. Optical signals from the upper waveguide path 24 and lower waveguide path 26 are recombined at the output Y-branch 28. If the optical beams from the two paths 24, 26 arrive in phase, light will be guided out of the MZM 20, and vice-versa. Thus, MZM 20 can be used to produce a transmission loss depending upon the electric bias applied to MZM 20. The optical output 28 from MZM 20 is dependant on the input electrical signal as illustrated in Figure 3. The overall performance of MZM 20 is characterized by the switching voltage V_{π} , which is the difference in bias voltages at the minimum and maximum transmission points as illustrated in Figure 3. For example, to

maintain linearity and achieve maximum differential change in optical output signal per unit volt, MZM 20 is typically biased at a point where the output is one-half of the maximum output signal. The bias point is generally referred to as "quadrature". When MZM 20 is biased at quadrature level, the optical output signal P_{out} of MZM 20 is given by:

$$[0021] P_{out} = (P_{in}/2)[1 \pm \sin(kx)] + P_{min} \dots\dots\dots(1)$$

[0022] where P_{in} is the input optical power; k = constant, x = input signal voltage; P_{min} = minimum optical transmission of the modulator, and the sign (\pm) depends on the slope of the quadrature point chosen.

[0023] Referring now to Figure 4, there is shown an example arrangement of using an optical phase locking system 40 for the present invention. The wavelength of lasers 42, 44 may be varied by changing the laser crystal temperature, or by applying a voltage to a PZT bonded to a respective laser cavity. The outputs from the two lasers 42, 44 are combined in a PM coupler 46 the outputs of which lead to an RF photodetector 48 and a d.c. photodetector 50. The output of photodetector 50 is fed to a phase-locked-loop PLL 52 which causes the frequency of the laser 44 (slave laser) to track the frequency of laser 42 (master laser). PLL 52 includes a phase detector for determining the phase difference between the master laser 42 and slave laser 44. Laser 44 preferably operates as a voltage controlled oscillator (VCO). Lasers 42, 44 are preferably Nd:YAG ring cavity lasers. The voltage dependent frequency response of laser 44 is directly proportional to the applied PZT voltage and is characterized by the equation:

$$[0024] \omega = K_o V \dots\dots\dots(2)$$

[0025] From the definition of frequency as the derivative of phase, equation (2) yields the change in phase of the slave laser 44 due to an applied voltage given by the equation:

[0026] $\phi = \int K_0 V dt$ (3)

[0027] where K_0 = proportionality constant in units of rads/volt-sec.

[0028] Referring now to Figure 5, there is shown at 51 a schematic diagram of the high power fiber optic modulator according to the present invention. The configuration of Figure 5 is shown to generally comprise a laser 42, two PM couplers 46, 56, a PZT cylinder 60, a phase modulator 54, a 1-2% coupler 58, a d.c. photodetector 50, and a pair of high frequency RF photodetectors 48a, 48b. The optical path from the laser source 42 is split into two paths by PM coupler 46, the two paths form a MZM with a LiNbO_3 phase modulator 54 in one path (path 1) and a PZT 60 with optical fiber looped around it in the other path (path 2). The phase modulator 54 imprints an analog RF signal onto path 1 of the MZM cavity. The PZT 60 may be used to control the length of the optical path (path 2) in which it resides. The two optical paths (path 1 and path 2) of the MZM cavity are recombined in the second PM coupler 56, the output of which is given by the equation:

[0029] $P_{\pm} = \frac{1}{2} \{ [P_1 + P_2 \pm 2 \times P_1 P_2 (\sin[(\omega_1 - \omega_2)t + \Phi_1 - \Phi_2])] \}$ (4)

[0030] where P_1 and P_2 are the optical powers before PM coupler 56, and P_+ and P_- designate the optical powers at the output of PM coupler 56. Signals P_+ and P_- may be detected individually or by using a balanced detection scheme. The balanced detection scheme may be implemented by subtracting the outputs from the pair of RF photodetectors 48a, 48b, thus removing some of the noise from the RF output of the fiber optic link between the "RF In" 53 and "RF Out" 49. The resonant cavity of laser is designed to amplify optical signals of a desired frequency and attenuate signals of an undesired frequency. The cavity amplifies desired frequencies through use of a laser cavity dimensioned in one-quarter wavelength increments. The closer the cavity dimensions are to a desired tolerance, the narrower the range of frequencies within which the laser will operate, generally referred to as "linewidth". The narrower the linewidth, the less inherent amplitude and/or phase noise will be transmitted in

a laser signal. Further, the narrower the linewidth, the more power is focused into a desired center frequency. In order for the light in the two optical paths (path 1, path 2) of the fiber optic modulator 51 to interfere with low noise, their respective path lengths must be matched to within a fraction of the laser linewidth. A small portion of the MZM output is sampled with a fiber tap (1-2% coupler) 58 the output of which is detected by d.c. photodetector 50 and fed to a PLL circuit 52 for providing a feedback voltage to the PZT 60 in the MZM cavity, thus allowing the relative phases of path 1 and path 2 to be controlled. When the fiber optic modulator 51 is phase locked, PLL 52 keeps the fiber-MZM in quadrature. An RF signal 53 applied to the LiNbO₃ modulator 54 in the fiber-MZM modulates the phase incident to PM coupler 56. If the RF frequency is above the close-loop frequency response of the PLL 52, the PLL 52 fails to track the signal. Thus, the amplitude of the light signal to the RF photodiodes of detectors 48a, 48b varies around the quadrature point as shown in Figure 3.

[0031] Referring now to Figure 6, there is shown a schematic diagram illustrating the experimental configuration used to test the present invention as shown in Figure 5. The operation of Figure 6 being similar to the operation of Figure 4 of the present invention as discussed above. Once the lasers 42, 44 are phase-locked, the phase modulator 54 inserted between the master laser 42 and the PM coupler 46 enables the phase of the light in its path to be modulated with an RF signal 53. The phase modulation is detected by the PM coupler 46 resulting in constructive and destructive interference. The resulting amplitude modulation is detected by the RF detector 48.

[0032] To experimentally verify the functionality of the phase-locked MZM of the present invention as illustrated in Figure 6, the RF response of the system was measured from "RF In" 53 to "RF Out" 49 for various RF detector currents with the results plotted as illustrated in Figure 7. The six measurements are labeled with the detector current used during the data acquisition process. The transmission of RF power through the optical link

from RF In 53 port of the phase modulator 54 to the RF Out 49 of the photodetector 48 increases with detector current. Further, the 15 mA trace shows the added benefit of optical gain. Thus, using a high current RF photodetector(s) would drastically increase the net gain of the optical link – a desirable feature for both telecommunications and optical remoting applications. As depicted in Figure 7, the link gain at 15 mA occurs at frequencies up to 300 MHz. Thus, replacing the phase modulator with a higher frequency modulator should increase the gain bandwidth of the optical link from MHz to GHz an obvious advantage.

[0033] Referring now to Figure 8, another embodiment of the invention is illustrated where elements in common with fiber optic modulator system of Figure 5 are indicated by similar reference numerals, but with a prefix “1” added. Here, a polarization maintaining Erbium Doped Fiber Amplifier (PM-EDFA) may be inserted into the MZM cavity of the fiber optic link. The EDFA 62 is inserted in the MZM cavity between LiNbO₃ phase modulator 154 and the PM coupler 156, thus allowing the relatively small output of the phase modulator 154 to be increased, thus increasing the output power of the fiber optic modulator of the present invention. Further, since the EDFA 62 is placed before the output of PM coupler 156, the noise factor is lower than that of the fiber optic link discussed in Figure 4. The spontaneous-spontaneous (sp-sp) beat frequencies produced by the EDFA 162 are distributed equally between the two outputs of the MZM cavity. Ability to achieve increased power while reducing the noise performance of the optical link makes the present invention attractive for high performance applications.

[0034] Referring now to Figure 9, yet another embodiment of the present invention is illustrated where elements in common with fiber optic modulator system of Figure 5 are indicated by similar reference numerals, but with a prefix “2” added. Here, a second phase modulator 64 is inserted into the second arm (path 2) of the fiber Mach-Zender optical link to allow for dual-drive modulation or adjustable-chirp modulation.

[0035] While specific positions for various components comprising the invention are given above, it should be understood that those are only indicative of the relative positions most likely needed to achieve a desired power with reduced noise margins. It will be appreciated that the indicated positions are exemplary, and several other components may be added or subtracted while not deviating from the spirit and scope of the invention.

[0036] While the invention has been described in connection with what is presently considered to be the most practical and preferred embodiment, it is to be understood that the invention is not to be limited to the disclosed embodiment, but on the contrary, is intended to cover various modifications and equivalent arrangements included within the spirit and scope of the appended claims.

ABSTRACT OF THE DISCLOSURE

An apparatus and method to increase the output power from LiNbO₃ MZM style optical intensity modulating without exceeding the optical power damage threshold imposed by LiNbO₃ is described. The optical path from a laser source is divided into two paths by a polarization maintaining (PM) coupler. The two paths form a Mach Zender Modulator (MZM) with a LiNbO₃ phase modulator in one path and a fiber looped PZT in the other. The LiNbO₃ phase modulator imprints an RF signal onto one path of the MZM cavity, while the fiber wrapped PZT is used to control the path length difference between the two optical paths. The two optical paths are recombined in a second PM coupler. The second PM coupler and a 1-2% coupler are used to sample a small portion of the MZM output signal which is fed back to a phase locked loop (PLL) circuit for providing feedback voltage to the fiber wrapped PZT in the second arm of the MZM, and ensures the phase of the signals in the two arms of the MZM are matched to within a fraction of the laser linewidth. The present invention increases the amount of optical power by using a LiNbO₃ modulator within a fiber Mach-Zender cavity.

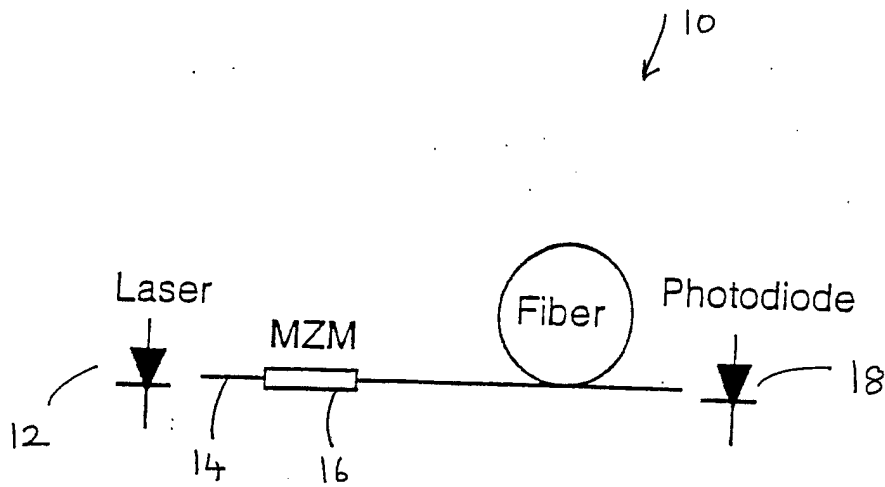


FIG. 1

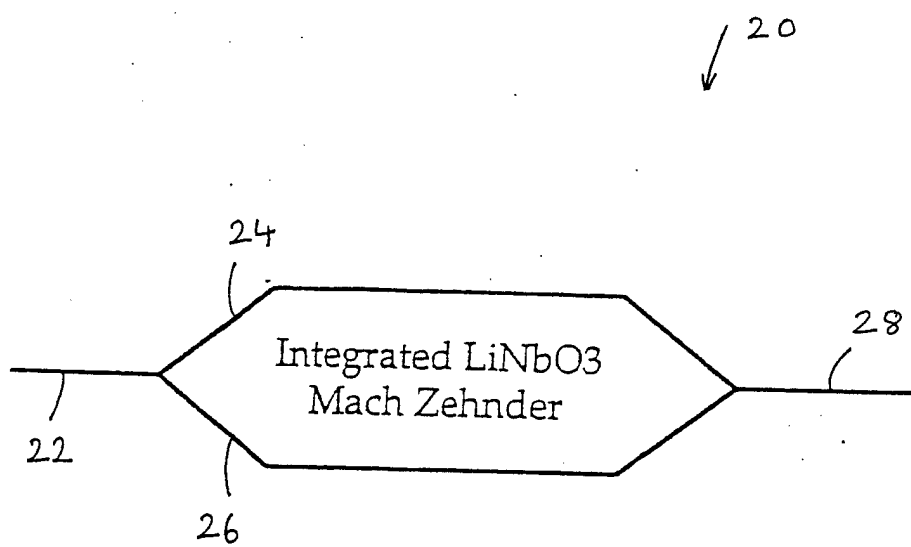


FIG. 2

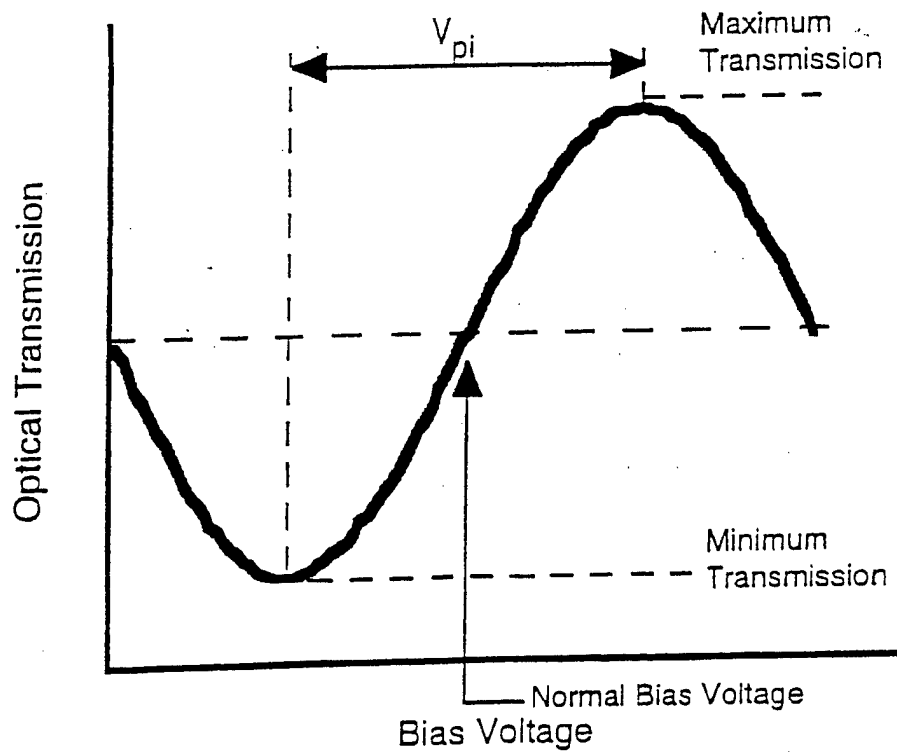


FIG. 3

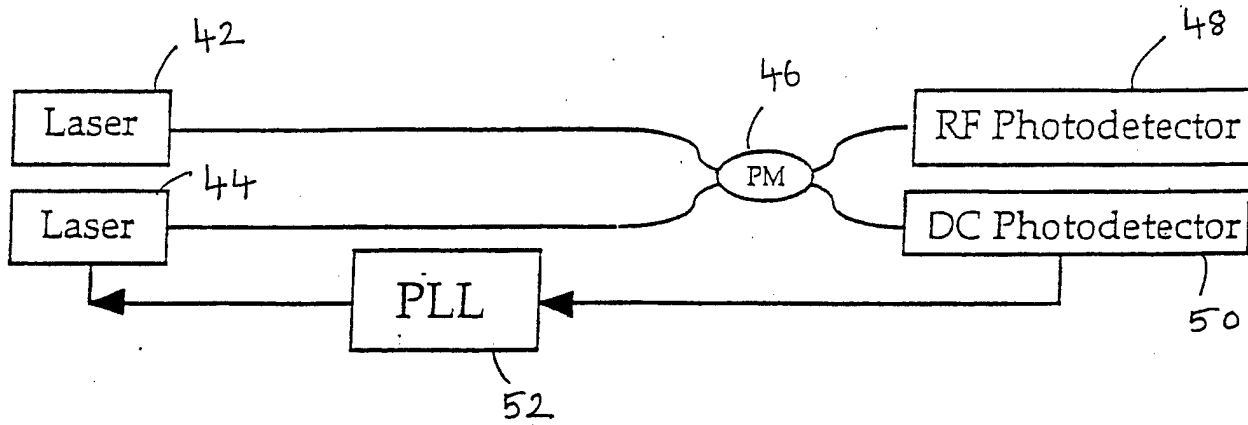


FIG. 4

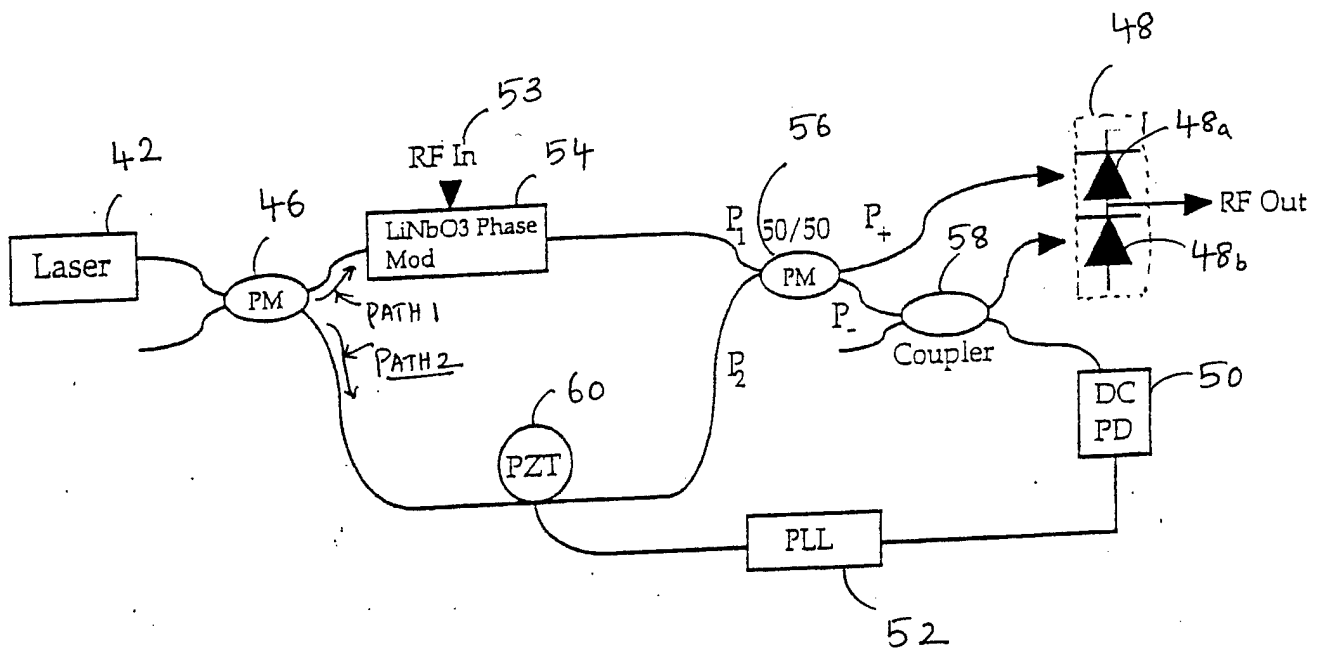


FIG. 5

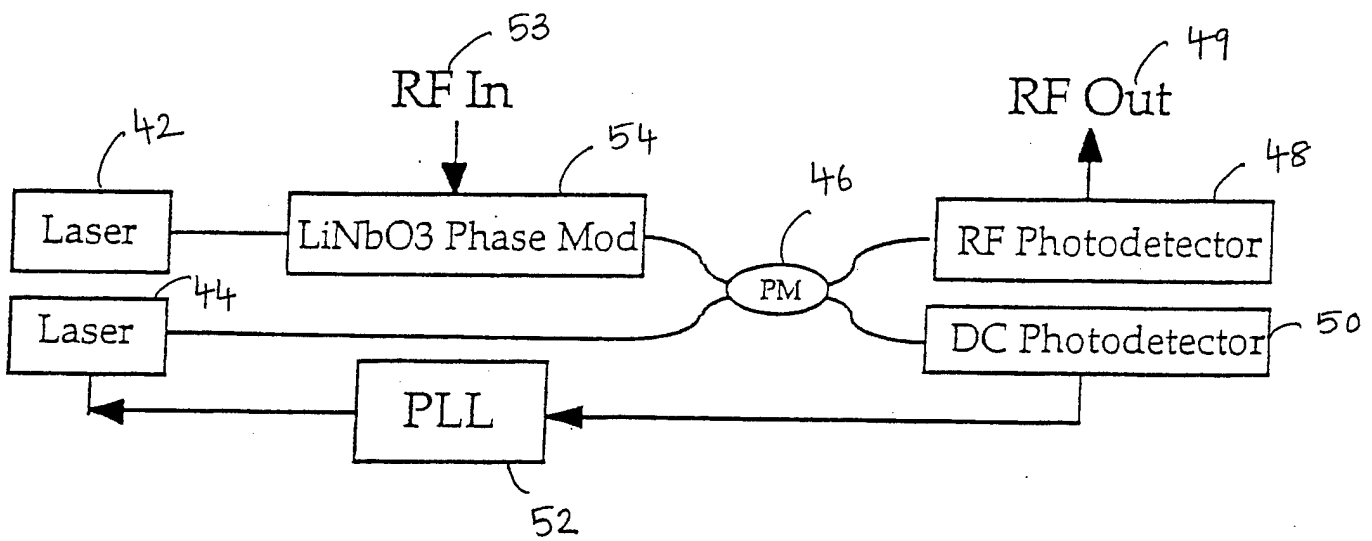


FIG. 6

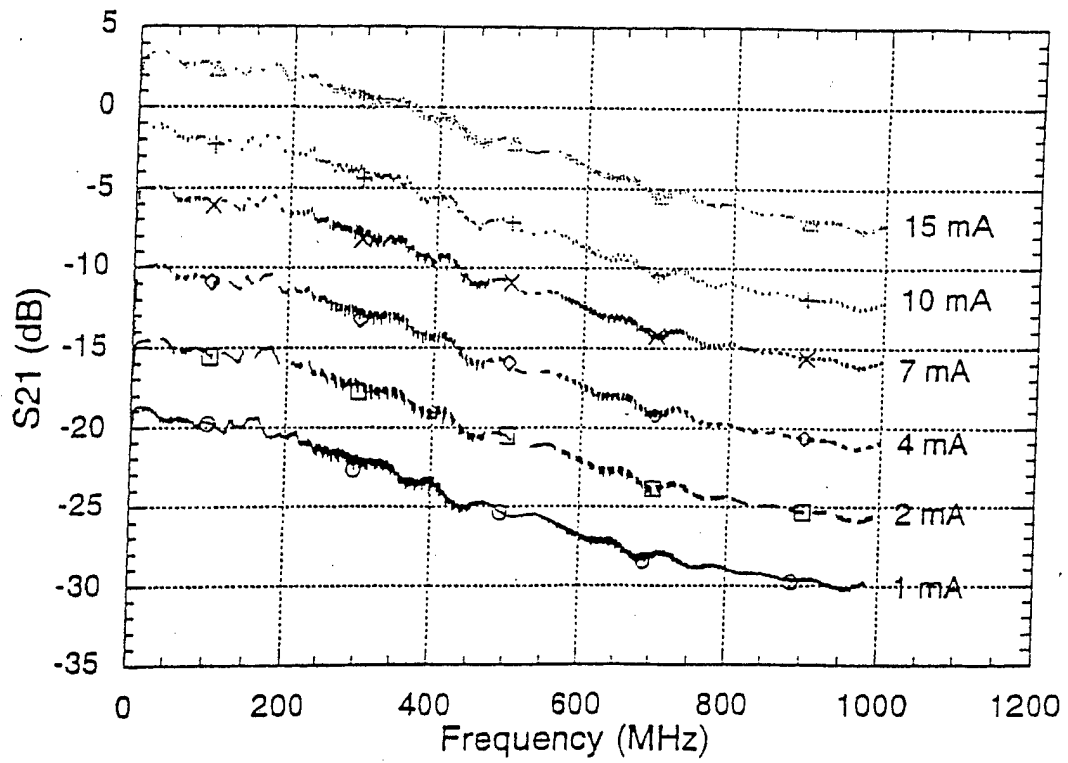


FIG. 7

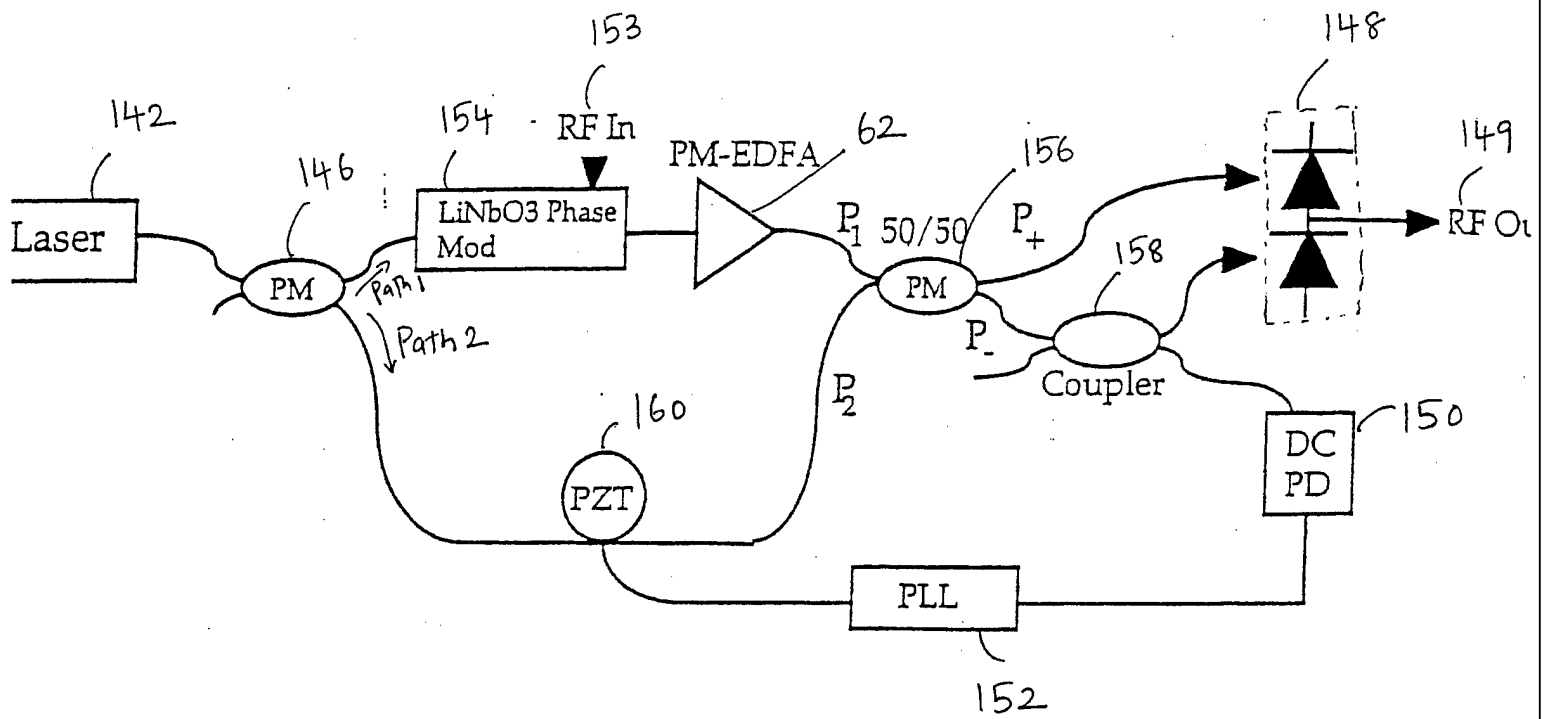


FIG. 8

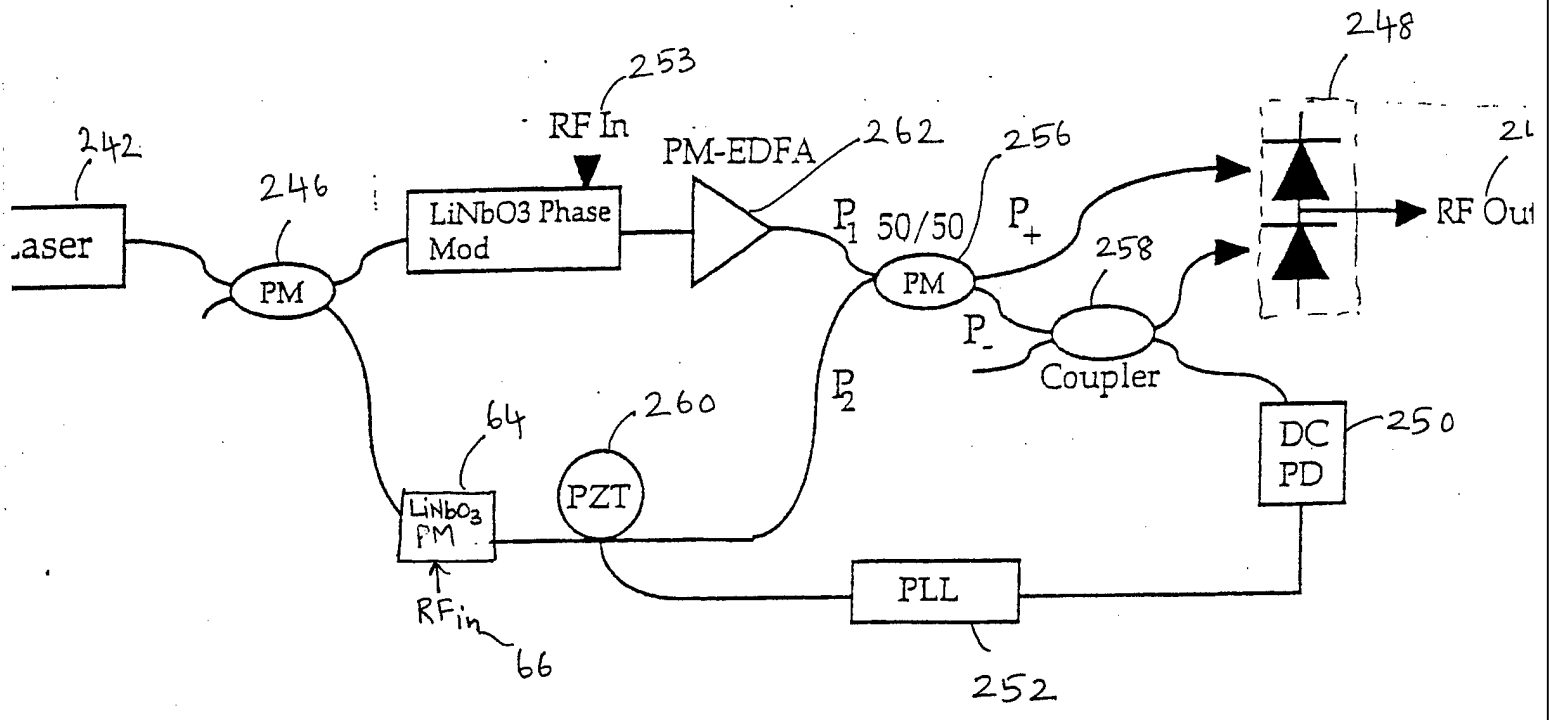


FIG. 9