

# REPORT DOCUMENTATION PAGE

*Form Approved*  
*OMB No. 0704-0188*

Public reporting burden for this collection of information is estimated to average 1 hour per response, including the time for reviewing instructions, searching existing data sources, gathering and maintaining the data needed, and completing and reviewing this collection of information. Send comments regarding this burden estimate or any other aspect of this collection of information, including suggestions for reducing this burden to Department of Defense, Washington Headquarters Services, Directorate for Information Operations and Reports (0704-0188), 1215 Jefferson Davis Highway, Suite 1204, Arlington, VA 22202-4302. Respondents should be aware that notwithstanding any other provision of law, no person shall be subject to any penalty for failing to comply with a collection of information if it does not display a currently valid OMB control number. **PLEASE DO NOT RETURN YOUR FORM TO THE ABOVE ADDRESS.**

<b>1. REPORT DATE (DD-MM-YYYY)</b> 14-08-2015		<b>2. REPORT TYPE</b> Publication		<b>3. DATES COVERED (From - To)</b>	
<b>4. TITLE AND SUBTITLE</b> Magnetolectric Energy Harvesting				<b>5a. CONTRACT NUMBER</b>	
				<b>5b. GRANT NUMBER</b>	
				<b>5c. PROGRAM ELEMENT NUMBER</b>	
<b>6. AUTHOR(S)</b> Peter Finkel et al				<b>5d. PROJECT NUMBER</b>	
				<b>5e. TASK NUMBER</b>	
				<b>5f. WORK UNIT NUMBER</b>	
<b>7. PERFORMING ORGANIZATION NAME(S) AND ADDRESS(ES)</b> Naval Undersea Warfare Center Division, Newport 1176 Howell Street, Bldg 102T, Code 00L Newport, RI 02841				<b>8. PERFORMING ORGANIZATION REPORT NUMBER</b>  102287	
<b>9. SPONSORING / MONITORING AGENCY NAME(S) AND ADDRESS(ES)</b> Naval Undersea Warfare Center Division, Newport 1176 Howell Street, Bldg 102T, Code 00L Newport, RI 02841				<b>10. SPONSOR/MONITOR'S ACRONYM(S)</b>  NUWC	
				<b>11. SPONSOR/MONITOR'S REPORT NUMBER(S)</b>  102287	
<b>12. DISTRIBUTION / AVAILABILITY STATEMENT</b> Distribution A					
<b>13. SUPPLEMENTARY NOTES</b>					
<b>14. ABSTRACT</b> An energy harvesting device for harvesting energy from a moving structure includes a housing allowing transmission of magnetic fields therethrough. A piezoelectric material capable of a phase transition and a magnetostrictive material capable of a structural change when subjected to a magnetic field are mechanically coupled to each other in the housing. An adjustable pre-stress means is positioned between the housing and the combination of the piezoelectric and magnetostrictive materials. Electrical contacts are positioned on the piezoelectric material. A magnet is mounted on the moving structure. The housing is mounted in sufficient proximity to the magnet for the magnetic field of the magnet to induce the structural change in the magnetostrictive material.					
<b>15. SUBJECT TERMS</b>					
<b>16. SECURITY CLASSIFICATION OF:</b>			<b>17. LIMITATION OF ABSTRACT</b>  SAR	<b>18. NUMBER OF PAGES</b>  23	<b>19a. NAME OF RESPONSIBLE PERSON</b> Annette M. Campbell
<b>a. REPORT</b> Unclassified	<b>b. ABSTRACT</b> Unclassified	<b>c. THIS PAGE</b> Unclassified			<b>19b. TELEPHONE NUMBER (include area code)</b> 401-832-4246



**DEPARTMENT OF THE NAVY**

OFFICE OF COUNSEL  
NAVAL UNDERSEA WARFARE CENTER DIVISION  
1176 HOWELL STREET NEWPORT RI 02841-1708

IN REPLY REFER TO

Attorney Docket No. 102287  
14 August 15

The below identified patent application is available for licensing. Requests for information should be addressed to:

TECHNOLOGY PARTNERSHIP ENTERPRISE OFFICE  
NAVAL UNDERSEA WARFARE CENTER  
1176 HOWELL ST.  
CODE 00T2, BLDG. 102T  
NEWPORT, RI 02841

Serial Number 14/548,414  
Filing Date 20 November 2014  
Inventor Peter Finkel

Address any questions concerning this matter to the Office of Technology Transfer at (401) 832-1511.

DISTRIBUTION STATEMENT  
Approved for Public Release  
Distribution is unlimited

**MAGNETOELECTRIC ENERGY HARVESTING**

**STATEMENT OF GOVERNMENT INTEREST**

**[0001]** The invention described herein may be manufactured and used by or for the Government of the United States of America for governmental purposes without the payment of any royalties thereon or therefor.

**CROSS REFERENCE TO OTHER PATENT APPLICATIONS**

**[0002]** None.

**BACKGROUND OF THE INVENTION**

(1) Field of the Invention

**[0003]** The present invention relates to an electro-mechanical energy harvesting device and more particularly relates to such a device that has a magnetostrictive and piezoelectric component.

(2) Description of the Prior Art

**[0004]** It is known that ferroelectric single crystals convert mechanical energy to electrical energy or vice versa. This makes them a candidate as the active material in energy harvesting devices. By utilizing the direct piezoelectric (or pyroelectric) effect when mechanical or thermal energy is available from the environment, the mechanical or thermal energy can be converted

to electric charge polarization in relaxor ferroelectric single crystal material and useful amounts of energy can be obtained.

**[0005]** Relaxor single crystals display both a linear piezoelectric effect and a non-linear electromechanically coupled phase transition. The linear piezoelectric effect in relaxor single crystals has been well characterized and is extraordinarily large, approximately a factor of six times that of the ceramic lead zirconate titanate (PZT). The non-linear electromechanically coupled phase transition associated with field and stress driven phase transformations has been the subject of extensive study, especially for lead indium niobate-lead magnesium niobate-lead titanate (PIN-PMN-PT) ternaries. Reversible stress and temperature induced phase transformations are associated with spontaneous charge generation in the relaxor single crystals. FIG. 1 is a graph showing strain versus stress for a representative phase change piezoelectric material. FIG. 1 clearly shows a large strain jump at the stress and field induced phase transformation. These stress and field driven phase transformations offer significant new approaches to energy harvesting. These results demonstrate that phase transformations can provide more than an order of magnitude increase in energy density per cycle for mechanical energy harvesting. Utilizing this phase transformation behavior suggests that a stress-biased

energy harvester would take maximum advantage of the phase transformation in the relaxor single crystal material.

**[0006]** Magnetostrictive materials are similar to ferroelectric materials because they convert magnetic energy into mechanical energy. However, magnetostrictive materials utilize a magnetic field rather than an electrical field. An applied magnetic field can alter the direction of the magnetic moments inside the material, and the magnetic moments will tend to align themselves in the direction of the applied magnetic field. This directional change of the magnetic moments is coupled to the material's lattice via spin-orbit coupling and results in a physical change in the dimension of the material. It is known to utilize this physical change in mechanical applications and control systems.

**[0007]** It is known to use piezoelectric materials to harvest energy. Piezoelectric materials will generate electric potential when subjected to some kind of mechanical stress. However, piezoelectric materials have constraints on their ability to function properly, such as temperature, force, and pressure. These constraints, along with the difficulty of attaching piezoelectric materials to rotating or moving machinery, make it difficult to locate piezoelectric material devices in contact with the mechanical stress generator which allows the piezoelectric material to act as an energy harvesting device.

[0008] It is also known to use magnetostrictive materials to harvest energy. Magnetostrictive materials are able to harvest vibrational energy from vibrating pumps, motors, buildings, ships, etc. since magnetostrictive materials are able to change shape in response to a magnetic field, and it is known to use these changes in magnetic state to induce a voltage in coils, which can then be converted into power.

#### **SUMMARY OF THE INVENTION**

[0009] Accordingly, it is an object of the present invention to provide an energy harvesting device for a changing magnetic field.

[0010] It is another object of the present invention to provide an energy harvesting device having maximum efficiency.

[0011] Accordingly, there is provided an energy harvesting device for harvesting energy from a moving structure. The device has a rigid, hollow housing capable of allowing the transmission of a magnetic field therethrough. A piezoelectric material is positioned in the hollow housing. A magnetostrictive material capable of a structural change when being subjected to a magnetic field is also positioned in the housing mechanically coupled to the piezoelectric material. An adjustable pre-stress means is positioned between the housing and the piezoelectric material and magnetostrictive material combination to apply a pre-stress to the piezoelectric material

and the magnetostrictive material. Electrical contacts are joined in contact with the piezoelectric material. A magnet mounted on the moving structure induces the structural change in the magnetostrictive material when the magnet is nearest the housing. The structural change stresses the piezoelectric material which generates electrical potential at the contacts.

#### **BRIEF DESCRIPTION OF THE DRAWINGS**

**[0012]** The above and other objects and advantages of the present invention will become apparent from the following description, drawings and claims wherein:

**[0013]** FIG. 1 is a graph showing strain versus stress for a representative phase change piezoelectric material;

**[0014]** FIG. 2 is a diagram of an energy harvesting device and its operational set up;

**[0015]** FIG. 3 is a graph showing test results for output voltage versus magnetic field for the embodiment of FIG. 2;

**[0016]** FIG. 4 is a cross-sectional view of a first embodiment of the energy harvesting device.

**[0017]** FIG. 5 is a cross-sectional view of a second embodiment of the energy harvesting device.

**[0018]** FIG. 6 is a diagram of a third embodiment of the energy harvesting device and a second operational set up.

[0019] FIG. 7 is a cross-sectional view of a third embodiment of the energy harvesting device.

#### **DETAILED DESCRIPTION OF THE INVENTION**

[0020] FIG. 1 is a graph that generically depicts hysteresis curves 10 of a single crystal material having a sharp elastic instability near the phase transition point. The curve with a solid line shows the stress/strain response, and the curve with the dashed line shows the stress/polarization response. As compressive stress increases in the material, strain response increases linearly in region 12A and polarization declines somewhat linearly at 12B. A phase transition point occurs at 13A. Polarization transition is shown at 13B. During phase transition the response is shown as indicated at 14A and 14B. Strain response is rapid during phase transition and polarization response is somewhat slower. The phase transition completes as indicated at 15A and 15B. A second linear region begins as indicated at 16A and 16B. As compressive stress is reduced, strain declines linearly in region 16C, and polarization increases somewhat linearly at 16D. Once stress declines sufficiently, a phase transition occurs at 15C and 15D. The response during phase transition is shown at 14C, and phase transition completes at 13C. The polarization response is shown



at 14D. The response enters the linear region at 12C and 12D as stress declines further.

**[0021]** For a given material, the position of this curve and its inflection points depend on pressure, temperature and the electrical field to which the material is subjected. In one known material, this compressive pre-stress occurs in the region between about 24 MPa and 21 MPa as indicated in the FIG. The resulting microstrain ( $\mu\epsilon$ ) is between -2,500 and -4,500 as shown in the FIG. The critical stress is a characteristic of the particular material composition, and it can be determined experimentally for a given temperature and operating condition.

**[0022]** FIG. 2 depicts an energy harvesting device 20 with a hollow housing 22. Hollow housing 22 is made from a material that can support tensile loading while allowing the transmission of magnetic fields therethrough, such as aluminum, another non-ferroelectric material, or the like. Hollow housing 22 has terminal exterior threads on a first end and internal threads on a second end. A cap 24 is affixed to hollow housing 22 first end, and a compression bolt 26 is affixed to hollow housing 22 second end. Cap 24 and compression bolt 26 contain appropriate complementary threads and are made from a material such as a non-ferrous metal or the like. A mounting location 28 serves as a mounting location for energy harvesting device 20. Energy harvesting device 20 can be mounted by cap 24 and/or compression

bolt 26. Access apertures 30 can be added to hollow housing 22. Wires 32 can go through access apertures 30 to access a piezoelectric material discussed hereinafter. Anti-torsion plug 34 can be located in anti-torsion apertures 36 in hollow housing 22 to prevent twisting.

**[0023]** Energy harvesting device 20 is mounted in proximity to a machine 40. Machine 40 vibrates in direction 42. Magnet 44 is attached to machine 40, preferably such that the entirety of a magnetostrictive material discussed hereinafter is in the magnetic field. A lesser response will result if the entirety of the magnetostrictive material is not in the magnetic field. Magnet 44 preferably being capable of generating a changing magnetic field of about at least  $\pm 50$  Oe on the magnetostrictive material as it vibrates on machine 40.

**[0024]** In operation, magnet 44 joined to machine 40 provides a time varying magnetic field on the magnetostrictive material to actuate the piezoelectric material as a harvester. As the magnetostrictive rod is activated by external magnetic field it expands linearly. Because the magnetostrictive rod is constrained by cap 24 and bolt 26, rod causes compressive stress that is transmitted to piezoelectric material. Piezoelectric material and magnetostrictive rod have been subjected to a preload stress close to the critical stress required for ferroelectric phase transition. Compressive stress from the rod loads the

piezoelectric material with additional force needed to bring the piezoelectric material through the phase transformation (from that point this is equivalent to mechanical energy harvesting process). Preload stress on the magnetostrictive material optimizes the slope of the magnetostriction versus field curve.

**[0025]** FIG. 3 is a graph of results obtained using energy harvesting device 20 subjected to a varying magnetic field with a galfenol (FeGa) magnetostrictive material and a PIN-PMN-PT piezoelectric single crystal material. This shows that about 600 volts can be obtained with a magnetic field difference of about 15 Oe. The magnetoelectric coefficient, ME, as estimated from experimental results is:

$$ME = \frac{dE}{dH} > 40 \frac{V}{cm \times Oe} \quad (1)$$

where E is the electric field per centimeter (V/cm), and H is the magnetic field (Oe). This is a non-resonant mode estimate.

Results for known energy harvesters are usually given in the resonant mode and are capable of delivering energy for a narrower band of frequencies than the tested device. These results are much greater than can be obtained using a simple magnet/coil energy harvester arrangement as is known in the art.

**[0026]** FIG. 4 provides a sectional diagram of energy harvesting device 20 with hollow housing 22. A magnetostrictive material 46, a piezoelectric material 48, and dielectric plugs 50 are located inside the cavity of hollow housing 22. Magnetostrictive material

46 can be a magnetostrictive material such as galfenol, Terfenol-D<sup>®</sup>, Metglas<sup>®</sup>, ferrite, cobalt, nickel, or the like. Piezoelectric material 48 is preferably a piezoelectric or ferroelectric crystal such as PIN-PMN-PT or the like. Non-crystalline and composite materials can be used but will give significantly lower output. Dielectric plugs 50 can be made from an electrically insulating material capable of supporting and aligning the load, such as ceramic or the like. Hollow housing 22 also has access apertures 30 which allow for electrical contact with piezoelectric material 48. There is an optional friction reducing material 52 between hollow housing 22 and magnetostrictive material 46. Friction reducing material 52 is made of a material that can reduce the friction between magnetostrictive material 46 and hollow housing 22, such as polytetrafluoroethylene (such as Teflon<sup>®</sup> tape), poly(4,4'-oxydiphenylene-pyromellitimide) (such as Kapton<sup>®</sup>), or the like. Anti-torsion plug 34 has a shaft 54 capable of bearing compressive stress and arms 56. Arms 56 are positioned in anti-torsion apertures 36 formed in hollow housing 22. (If the components located in housing 22 twist, arms 56 interfere with housing 22 at apertures 36 to prevent twisting).

**[0027]** Compression bolt 26 is adjusted to place the piezoelectric material 48 near the phase boundary. This can also be done electrically. If necessary, a magnetic bias field can be applied to the magnetostrictive material 46 to move piezoelectric

material 48 closer to the phase transition. The oscillating magnetic field created by magnet 44 and vibrating machine 40 causes magnetostrictive material 46 to expand and contract. If the resulting stress on piezoelectric material 48 is sufficient to cause a phase transition (ex. orthorhombic phase and rhombohedral phase), large amounts of energy can be generated. Direction of vibration 42 can be longitudinal, lateral, and/or axial depending on the polarization orientation of piezoelectric material 48 and the design constraints of energy harvesting device 20.

**[0028]** The changing magnetic field created by magnet 44 and vibrating machine 40 causes a rearrangement of dipoles in magnetostrictive material 46 which causes magnetostrictive material 46 to change shape. This change in shape applies a stress on piezoelectric material 48 which causes a phase transformation in piezoelectric material 48. This phase transformation causes piezoelectric material 48 to generate energy, which can then flow into wires 32. The energy can then flow to circuitry 38, which can preferably do the signal conditioning. Circuitry 38 can be a load, a battery, or most likely conditioning circuitry which then is connected to a battery.

**[0029]** FIG. 5 depicts an energy harvesting device 60 with a hollow housing 62. Hollow housing 62 is made from a material that can support tensile loading while allowing the transmission of magnetic fields therethrough, such as aluminum, another non-

ferroelectric material, or the like. A magnetostrictive material 64, a piezoelectric material 66, and anti-friction guides 68 can be located inside the cavity of hollow housing 62.

Magnetostrictive material 64 can be a magnetostrictive material such as galfenol, Terfenol-D®, metglas®, ferrite, cobalt, nickel, or the like. Piezoelectric material 66 is preferably a piezoelectric or ferroelectric material such as PIN-PMN-PT or the like. Guides 68 are preferably made out of a material that would allow magnetostrictive material 64 to slide along hollow housing 62 with minimal friction, such as rubber, polytetrafluoroethylene (such as Teflon®), or the like. Compression bolt 70 is preferably made from a material such as a non-ferrous metal or the like. Hollow housing 62 and compression bolt 70 contain appropriate complementary threads to allow the two to be attached.

**[0030]** FIGs. 6 and 7 depict another embodiment of an energy harvesting device 72 with a hollow housing 74. Hollow housing 74 is made from a material that can support tensile loading while allowing the transmission of magnetic fields therethrough, such as aluminum, another non-ferroelectric material, or the like. Hollow housing 74 has terminal exterior threads on a first end and internal threads on a second end. A cap 76 is affixed to hollow housing 74 first end, and a compression bolt 78 is affixed to hollow housing 74 second end. Cap 76 and compression bolt 78 contain appropriate complementary threads and are made from a

material such as a non-ferrous metal or the like. A mounting location 80 serves as a mounting location for energy harvesting device 72. Energy harvesting device 72 can be mounted by cap 76 and/or compression bolt 78. Access apertures 82 can be added to hollow housing 74. Wires 84 can go through access apertures 82 to access a piezoelectric material discussed hereinafter. Circuitry 86 can be connected to wires 84 to create a complete circuit. Anti-torsion plug 88 can be located in anti-torsion apertures 90 in hollow housing 74 to prevent twisting.

**[0031]** Energy harvesting device 72 is mounted in proximity to a machine 92. Machine 92 rotates in direction 94. Magnet 96 is attached to machine 92, preferably such that the entirety of a magnetostrictive material discussed hereinafter is in the magnetic field. A lesser response will result if the entirety of the magnetostrictive material is not in the magnetic field. Magnet 96 preferably being capable of generating a changing magnetic field of about at least  $\pm 50$  Oe on the magnetostrictive material as it rotates on machine 92.

**[0032]** In operation, magnet 96 joined to machine 92 provides a time varying magnetic field to actuate the piezoelectric material as a harvester. As the magnetostrictive rod is activated by external magnetic field it expands linearly. Because the magnetostrictive rod is constrained by cap 76 and bolt 78, rod causes compressive stress that is transmitted to piezoelectric

material. Piezoelectric material and magnetostrictive rod have been subjected to a preload stress close to the critical stress required for ferroelectric phase transition. Compressive stress from the magnetostrictive rod loads the piezoelectric material with additional force needed to bring the piezoelectric material through the phase transformation (from that point this is equivalent to mechanical energy harvesting process).

**[0033]** FIG. 7 provides a sectional diagram of energy harvesting device 72 with hollow housing 74. A magnetostrictive material 98, a piezoelectric material 100, and dielectric plugs 102 are located inside the cavity of hollow housing 74. Magnetostrictive material 98 can be a magnetostrictive material such as galferol, Terfenol-D®, Metglas®, ferrite, cobalt, nickel, or the like. Piezoelectric material 100 is preferably a piezoelectric or ferroelectric crystal such as PIN-PMN-PT or the like. Non-crystalline and composite materials can be used but will give significantly lower output. Dielectric plugs 102 can be made from an electrically insulating material capable of supporting and aligning the load, such as ceramic or the like. Hollow housing 74 also has access apertures 82 which allow for electrical contact with piezoelectric material 100. There is an optional friction reducing material 104 between hollow housing 74 and magnetostrictive material 98. Friction reducing material 104 is made of a material that can reduce the friction between magnetostrictive material 98 and



hollow housing 74, such as polytetrafluoroethylene (such as Teflon® tape), poly (4,4'-oxydiphenylene-pyromellitimide) (such as Kapton®), or the like. Anti-torsion plug 88 has a shaft 106 capable of bearing compressive stress and arms 108. Arms 108 are positioned in anti-torsion apertures 90 formed in hollow housing 74. (If the components located in housing 74 twist, arms 108 interfere with housing 74 at apertures 90 to prevent twisting).

**[0034]** Compression bolt 78 is adjusted to place the piezoelectric material 100 near the phase boundary. This can also be done electrically. If necessary, a magnetic bias field can be applied to the magnetostrictive material to move piezoelectric material 100 closer to the phase transition. The oscillating magnetic field created by magnet 96 and vibrating machine 92 causes magnetostrictive material 98 to expand and contract. If the resulting stress on piezoelectric material 100 is sufficient to cause a phase transition (ex. orthorhombic phase and rhombohedral phase), large amounts of energy can be generated. Direction of vibration 94 can be longitudinal, lateral, and/or axial depending on the polarization orientation of piezoelectric material 100 and the design constraints of energy harvesting device 72.

**[0035]** The changing magnetic field created by magnet 96 and vibrating machine 92 causes a rearrangement of dipoles in magnetostrictive material 98 which causes magnetostrictive material 98 to change shape. This change in shape applies a stress

on piezoelectric material 100 which causes a phase transformation in piezoelectric material 100. This phase transformation causes piezoelectric material 100 to generate energy, which can then flow into wires 84. The energy can then flow to circuitry 86, which can preferably do the signal conditioning. Circuitry 86 can be a load, a battery, or most likely conditioning circuitry which then is connected to a battery.

**[0036]** The foregoing description of the preferred embodiments of the invention has been presented for purposes of illustration and description only. It is not intended to be exhaustive nor to limit the invention to the precise form disclosed; and obviously many modifications and variations are possible in light of the above teaching. Such modifications and variations that may be apparent to a person skilled in the art are intended to be included within the scope of this invention as defined by the accompanying claims.

**MAGNETOELECTRIC ENERGY HARVESTING**

**ABSTRACT OF THE DISCLOSURE**

An energy harvesting device for harvesting energy from a moving structure includes a housing allowing transmission of magnetic fields therethrough. A piezoelectric material capable of a phase transition and a magnetostrictive material capable of a structural change when subjected to a magnetic field are mechanically coupled to each other in the housing. An adjustable pre-stress means is positioned between the housing and the combination of the piezoelectric and magnetostrictive materials. Electrical contacts are positioned on the piezoelectric material. A magnet is mounted on the moving structure. The housing is mounted in sufficient proximity to the magnet for the magnetic field of the magnet to induce the structural change in the magnetostrictive material.

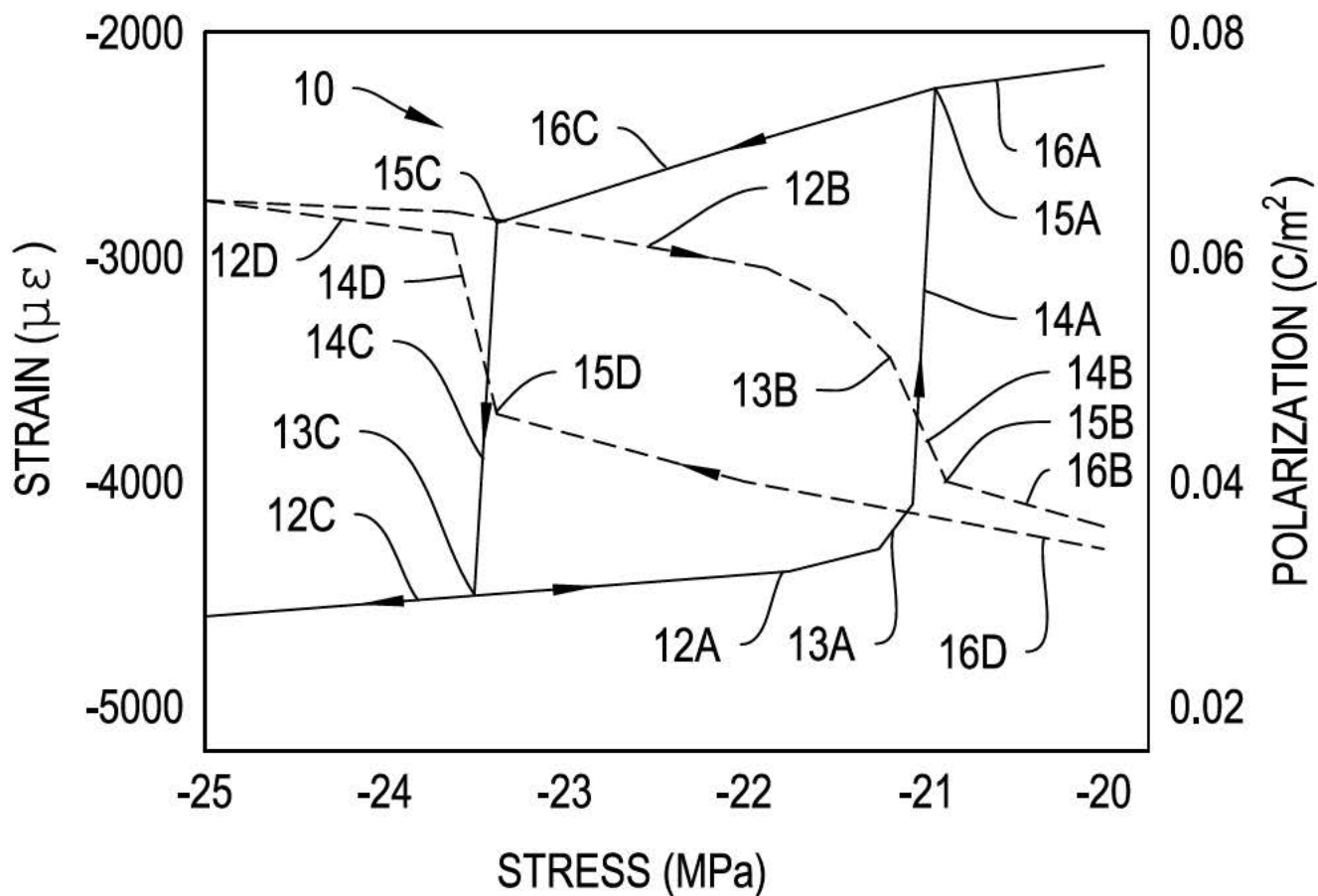


FIG. 1

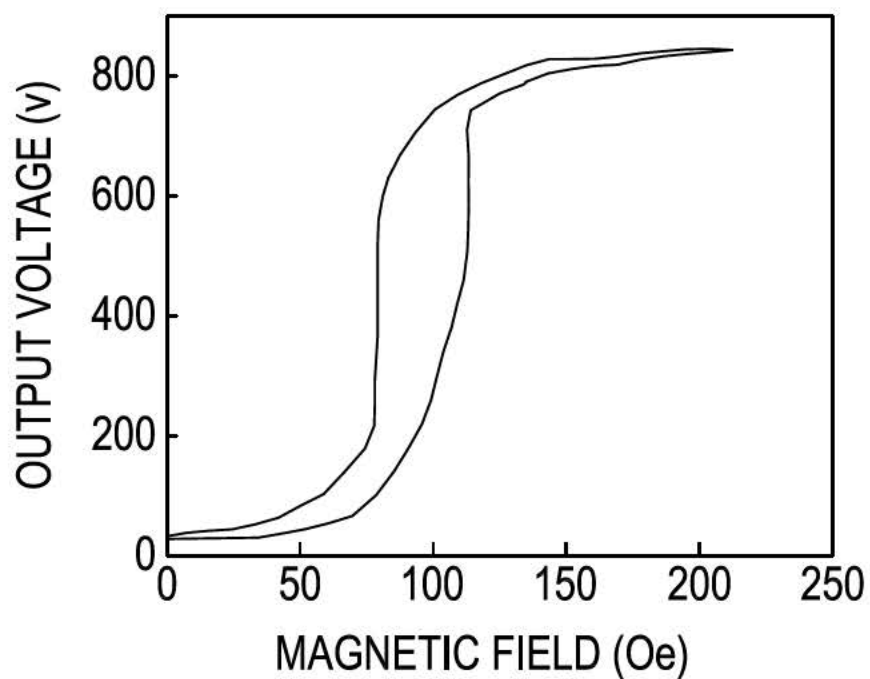


FIG. 3

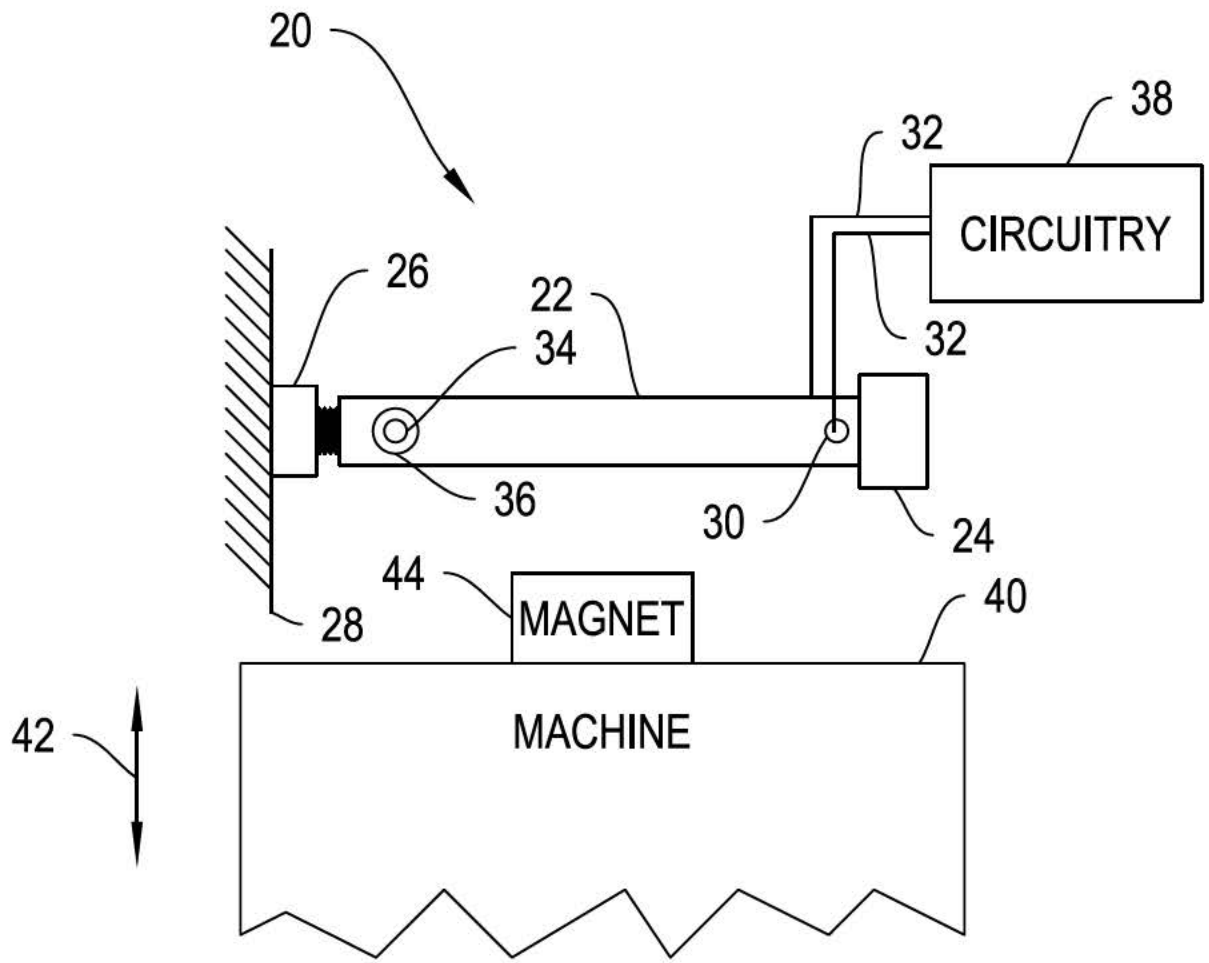


FIG. 2

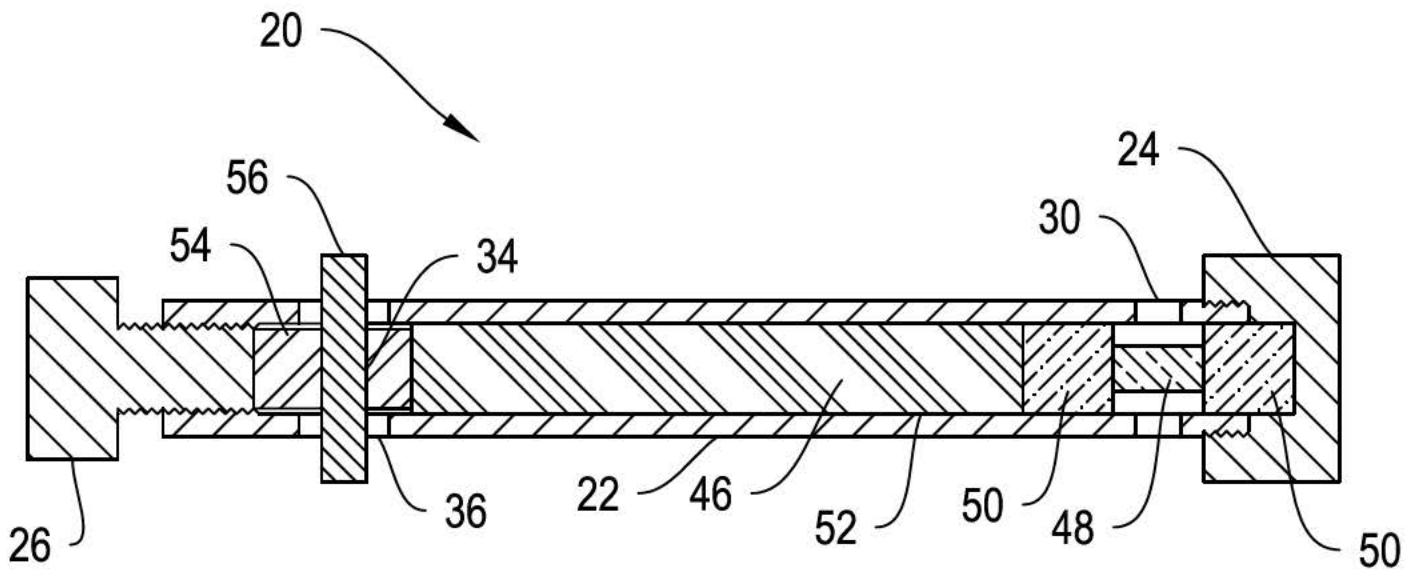


FIG. 4

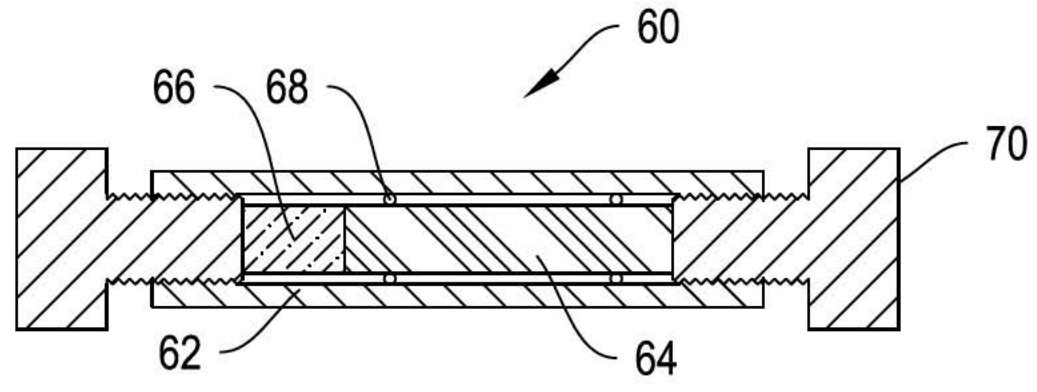


FIG. 5

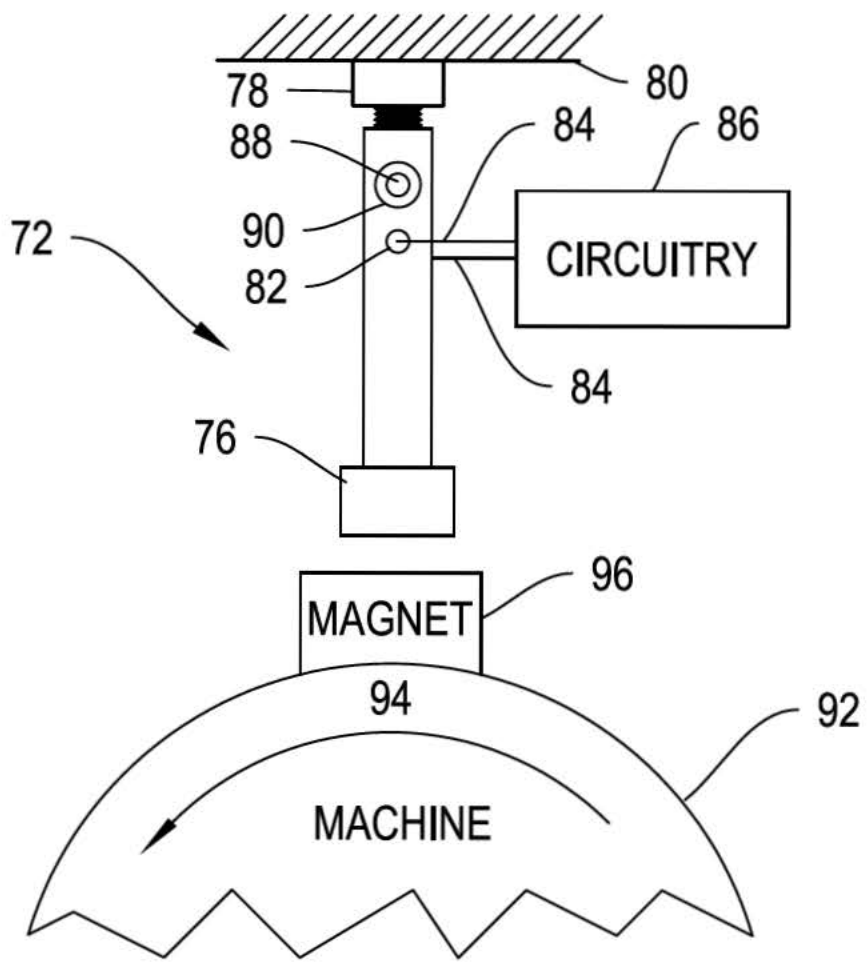


FIG. 6

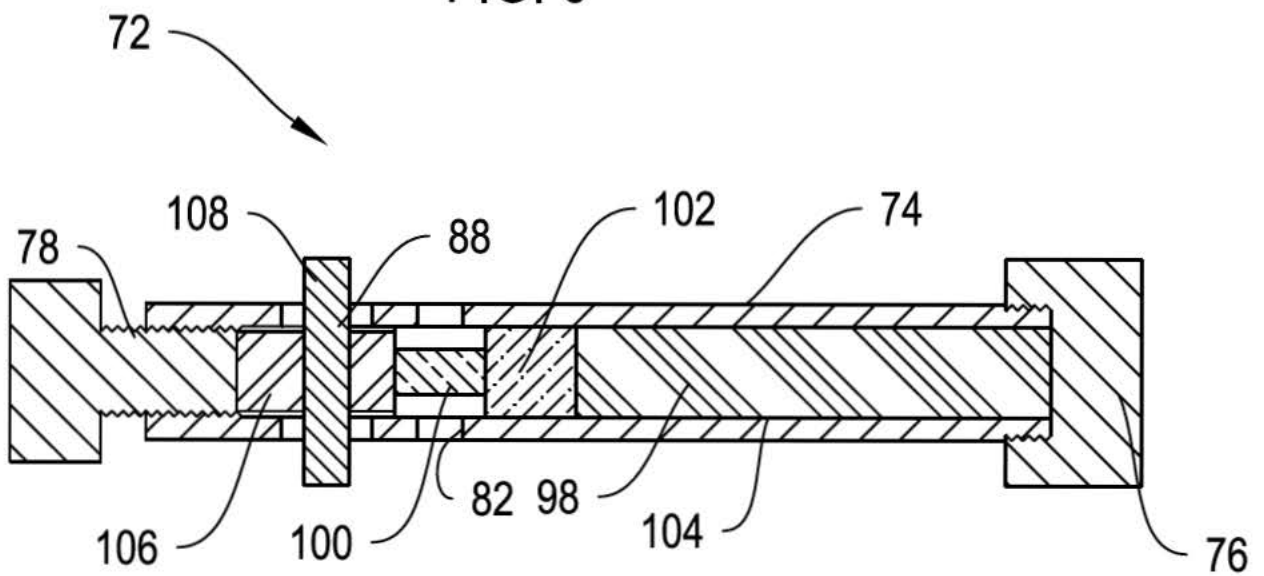


FIG. 7