



ARL-MR-0904 • SEP 2015



Ballistic Evaluation of 6055 Aluminum

by Denver B Gallardy

Approved for public release; distribution is unlimited.

NOTICES

Disclaimers

The findings in this report are not to be construed as an official Department of the Army position unless so designated by other authorized documents.

Citation of manufacturer's or trade names does not constitute an official endorsement or approval of the use thereof.

Destroy this report when it is no longer needed. Do not return it to the originator.



Ballistic Evaluation of 6055 Aluminum

by Denver B Gallardy

Weapons and Materials Research Directorate, ARL

REPORT DOCUMENTATION PAGE

*Form Approved
OMB No. 0704-0188*

Public reporting burden for this collection of information is estimated to average 1 hour per response, including the time for reviewing instructions, searching existing data sources, gathering and maintaining the data needed, and completing and reviewing the collection information. Send comments regarding this burden estimate or any other aspect of this collection of information, including suggestions for reducing the burden, to Department of Defense, Washington Headquarters Services, Directorate for Information Operations and Reports (0704-0188), 1215 Jefferson Davis Highway, Suite 1204, Arlington, VA 22202-4302. Respondents should be aware that notwithstanding any other provision of law, no person shall be subject to any penalty for failing to comply with a collection of information if it does not display a currently valid OMB control number.

PLEASE DO NOT RETURN YOUR FORM TO THE ABOVE ADDRESS.

1. REPORT DATE (DD-MM-YYYY) September 2015		2. REPORT TYPE Final		3. DATES COVERED (From - To) January 2013–October 2014	
4. TITLE AND SUBTITLE Ballistic Evaluation of 6055 Aluminum				5a. CONTRACT NUMBER	
				5b. GRANT NUMBER	
				5c. PROGRAM ELEMENT NUMBER	
6. AUTHOR(S) Denver B Gallardy				5d. PROJECT NUMBER	
				5e. TASK NUMBER	
				5f. WORK UNIT NUMBER	
7. PERFORMING ORGANIZATION NAME(S) AND ADDRESS(ES) US Army Research Laboratory ATTN: RDRL-WMP-E Aberdeen Proving Ground, MD 5066				8. PERFORMING ORGANIZATION REPORT NUMBER ARL-MR-0904	
9. SPONSORING/MONITORING AGENCY NAME(S) AND ADDRESS(ES)				10. SPONSOR/MONITOR'S ACRONYM(S)	
				11. SPONSOR/MONITOR'S REPORT NUMBER(S)	
12. DISTRIBUTION/AVAILABILITY STATEMENT Approved for public release; distribution is unlimited.					
13. SUPPLEMENTARY NOTES					
14. ABSTRACT The US Army Research Laboratory (ARL) evaluated the ballistic performance of aluminum alloy (AA) 6055-T651 produced by Alcoa as part of a Defense Acquisition Challenge Program. Ballistic evaluation was performed using armor-piercing and fragment-simulating projectiles to determine the V ₅₀ ballistic-protection limit (V ₅₀) for various thicknesses of material. The V ₅₀ was then compared to other ballistic-grade aluminum alloys, namely AA6061 and AA7039. The results of these experiments were used to derive the acceptance tables for AA6055 included in the updated military specification, MIL-DTL-32262A (MR).					
15. SUBJECT TERMS aluminum, armor, V50, 6055, Defense Acquisition Challenge, ballistic acceptance					
16. SECURITY CLASSIFICATION OF:			17. LIMITATION OF ABSTRACT	18. NUMBER OF PAGES	19a. NAME OF RESPONSIBLE PERSON
a. REPORT	b. ABSTRACT	c. THIS PAGE			Denver B Gallardy
Unclassified	Unclassified	Unclassified	UU	80	19b. TELEPHONE NUMBER (Include area code) 410-278-6510

Contents

List of Figures	iv
List of Tables	iv
Acknowledgments	v
1. Introduction	1
2. Experimental Procedure	2
3. Test Projectiles	3
3.1 Armor-Piercing (AP) Projectiles	3
3.2 Fragment-Simulating Projectiles (FSP)	4
4. Results and Analysis	5
5. Conclusions	11
6. References	12
Appendix A. Ballistic Test Data	13
Appendix B. Additional Ballistic Test Data	65
List of Symbols, Abbreviations, and Acronyms	69
Distribution List	70

List of Figures

Fig. 1	Typical test setup	3
Fig. 2	AP projectiles.....	4
Fig. 3	FSP projectiles	5
Fig. 4	Ballistic limit vs. thickness of AA6055 as compared to existing specs for the 0.30-cal APM2 at 30° obliquity	8
Fig. 5	Ballistic limit vs. thickness of AA6055 as compared to existing specs for the 0.30-cal APM2 at 0° obliquity	9
Fig. 6	Ballistic limit vs. thickness of AA6055 as compared to existing specs for the 0.50-cal APM2 at 0° obliquity	9
Fig. 7	Ballistic limit vs. thickness of AA6055 as compared to existing specs for the 0.50-cal FSP at 0° obliquity	10
Fig. 8	Ballistic limit vs. thickness of AA6055 as compared to existing specs for the 20-mm FSP at 0° obliquity.....	10

List of Tables

Table 1	Test matrix for AA6055 indicating the number of plates tested.....	1
Table 2	Chemistry of AAs, weight-percent ranges.....	2
Table 3	AP projectiles' physical characteristics	4
Table 4	0.30 cal. APM2, 30° obliquity V_{50} ballistic limits for AA6055	5
Table 5	0.30 cal. APM2, 0° obliquity V_{50} ballistic limits for AA6055	6
Table 6	0.50 cal. APM2, 0° obliquity V_{50} ballistic limits for AA6055	6
Table 7	14.5-mm BS41, 0° obliquity V_{50} ballistic limits for AA6055	7
Table 8	0.50 cal. FSP, 0° obliquity V_{50} ballistic limits for AA6055	7
Table 9	20-mm FSP, 0° obliquity V_{50} ballistic limits for AA6055	7
Table 10	Constants of regression for the acceptance curves for AA6055	11

Acknowledgments

The author would like to thank Alcoa, and specifically Phil Smith and Rick Kane, for producing and providing, in-kind, the armor-plate test articles. The author thanks Donald Little of the Armor Mechanisms Branch (AMB) US Army Research Laboratory (ARL), Phil Davis of Dynamic Science, Inc., and David Churn of Bowhead Science and Technology, LLC, for performing the ballistic experiments in Experimental Facilities (EFs) 108 and 106; also, John Hogan of AMB-ARL, Hugh Walter of Bowhead Science and Technology, and David Handshoe and William Bryant of Dynamic Science for performing the ballistic experiments in EF 110.

The author also acknowledges the outstanding contributions of the following people who made this work possible: Program lead Brian Placzankis of the ARL Coatings, Corrosion and Engineered Polymers Branch and William “Randy” Everett and Rino Imperiale of the Army Research, Development and Engineering Command’s Comparative Technology Office. The author also thanks Robert “Gun Bob” Thompson from the Office of Secretary of Defense’s Comparative Technology Office, Office of the Deputy Assistant Secretary of Defense for Emerging Capability and Prototyping.

INTENTIONALLY LEFT BLANK.

1. Introduction

In 2012, a Defense Acquisition Challenge (DAC) Program proposal was submitted to the Office of the Secretary of Defense (OSD) to provide improved armor-plate materials for production and repair of existing or new aluminum-based monocoque armored-vehicle hulls such as those of M2 Bradley Infantry Fighting Vehicles. Also in 2012, the Aluminum Association assigned a new 6XXX-series alloy designation to Alcoa for aluminum alloy (AA) 6055, granting it full commercial availability as rolled plate from Davenport, Iowa. AA6055 remains under patent protection and is solely manufactured by Alcoa. AA6055 was confirmed as having greater mechanical properties than the AA6061 alloy and therefore, became the basis for a fiscal-year 2012, OSD-funded DAC program to fully validate and ultimately transition AA6055 for availability as a weldable armor plate in US acquisition. The ballistics goal of this program was to verify that AA6055-T651 met or exceeded the performance of AA6061-T651.¹

Several thicknesses of 6055-T651 were provided to the US Army Research Laboratory (ARL) by Alcoa. Table 1 is a summary matrix of the tested thicknesses subjected to impacts from various munitions including armor-piercing (AP) and fragment-simulating projectiles (FSPs). Additionally, Table 2 provides the required chemistries for AA6055 as well as other common aluminum-armor alloys.

Table 1 Test matrix for AA6055 indicating the number of plates tested

Nominal Plate Gage (mm)	0.30-cal APM2 30° Obliquity	0.30-cal APM2 0° Obliquity	0.50-cal APM2 0° Obliquity	0.50-cal FSP 0° Obliquity	20-mm FSP 0° Obliquity	14.5-mm BS41 0° Obliquity
12.70	3
19.05	2	2	...	2
25.40	...	3	...	3	3	...
38.10	...	5	5	...	4	...
50.80	5	...	5	...
63.50	2
76.20	1	1

Table 2 Chemistry of AAs, weight-percent ranges²

Element	2139	2195	2519	5083	6061	6055	7039	7085
Copper	4.5–5.5	3.70–4.30	5.30–6.40	0.10 max	0.15–0.40	0.50–1.0	0.10 max	1.3–2.0
Iron	0.15 max	0.15 max	0.30 max ^a	0.40 max	0.70 max	0.30 max	0.40 max	0.08 max
Lithium	...	0.80–1.20
Chromium	0.05 max	0.05–0.25	0.04–0.35	0.20–0.30	0.15–0.25	0.04 max
Manganese	0.20–0.60	0.25 max	0.10–0.50	0.40–1.0	0.15 max	0.10 max	0.10–0.40	0.04 max
Magnesium	0.20–0.80	0.25–0.80	0.05–0.40	4.0–4.90	0.8–1.2	0.70–1.1	2.30–3.30	1.2–1.8
Silicon	0.10 max	0.12 max	0.25 max ^a	0.40 max	0.40–0.80	0.60–1.2	0.30 max	0.06 max
Titanium	0.15 max	0.10 max	0.02–0.10	0.15 max	0.15 max	0.10 max	0.10 max	0.06 max
Zinc	0.25 max	0.25 max	0.10 max	0.25 max	0.25 max	0.55–0.90	3.50–4.50	7.0–8.0
Zirconium	...	0.08–0.16	0.10–0.25	0.08–0.15
Silver	0.15–0.60	0.25–0.60
Others (each)	0.05 max	0.05 max	0.05 max	0.05 max	0.05 max	0.05 max	0.05 max	0.05 max
Others (total)	0.15 max	0.15 max	0.15 max	0.15 max	0.15 max	0.15 max	0.15 max	0.15 max
Aluminum	Remainder	Remainder	Remainder	Remainder	Remainder	Remainder	Remainder	Remainder

^aThe total weight percentage of the combination of silicon and iron cannot exceed 0.40%.

2. Experimental Procedure

The V_{50} is defined as the impact velocity at which the projectile is equally as likely to penetrate the target as it is to arrest. A 0.51-mm (0.020-inch) 2024 T3 aluminum witness plate is positioned 152 mm (6 inches) behind the target to determine the outcome of each shot. An impact is regarded as a complete penetration (CP), or loss, if the projectile or a resulting target fragment from impact creates a hole in the witness plate through which light can be observed. If an impact does not result in a CP, it is considered a partial penetration (PP), or win. In order to keep results as consistent as possible, only shots conforming to the following conditions were used to determine the V_{50} : The projectile must be unyawed; $<2^\circ$ of total yaw for AP rounds and $<5^\circ$ of total yaw for FSPs; and strike the target at least 2 projectile diameters from any previous impact or damage or the edge of the target. Total yaw is defined as the vector sum of the projectile's pitch and yaw. The V_{50} is calculated by the arithmetic mean of an equal number of CPs and PPs within an 18 m/s (60 ft/s) spread for a 2 + 2 V_{50} ; a 27 m/s (90 ft/s) spread for a 3 + 3 V_{50} ; and as small of a spread as attainable for a 5 + 5 V_{50} .³

Projectile velocities for the determination of the V_{50} were measured using one of 2 methods as shown in Fig. 1. The first method is an orthogonal flash X-ray system as described in detail by Grabarek and Herr,⁴ which also measures pitch and yaw. The second method uses 3 infrared (IR) screens and a chronograph. The velocity is calculated using the first and third screens with the middle screen used to check for bad readings. The flash X-ray method was used in situations with projectiles that historically exhibit excessive yaw or if space did not allow for the use of the IR break screens. When the IR break screens and chronograph were used, the projectile velocity was corrected to the target-impact location using a correction factor based on an initial flash X-ray reading at the impact location. The correction was made using Eqs. 1 and 2 in lieu of utilizing air-drag factors:

$$\frac{(\text{x-ray velocity})}{(\text{chronograph velocity})} = (\text{correction factor}) \quad (1)$$

$$(\text{correction factor}) \times (\text{chronograph velocity}) = (\text{corrected velocity}) \quad (2)$$

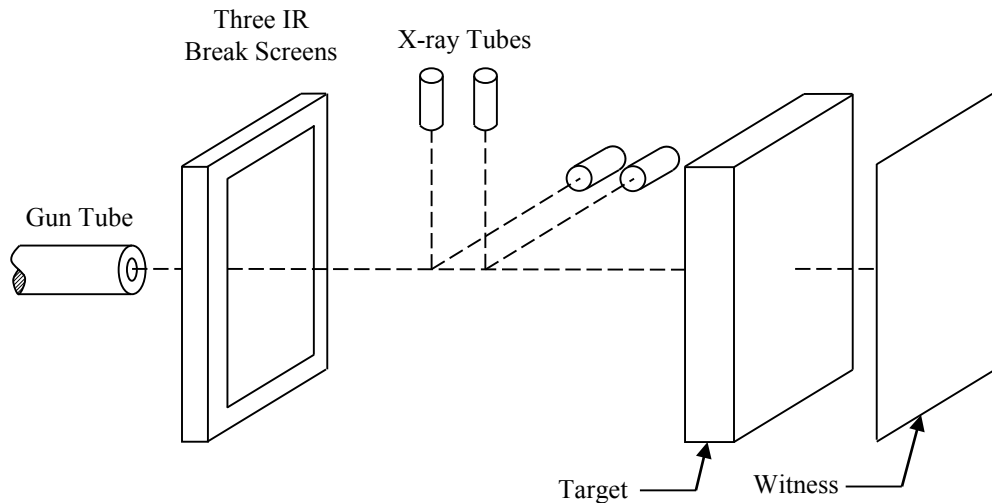


Fig. 1 Typical test setup

3. Test Projectiles

3.1 Armor-Piercing (AP) Projectiles

The US 0.30-cal. APM2 and 0.50-cal. APM2 and the Soviet 14.5-mm BS41 are the 3 AP projectiles that were used in this study. These projectiles are shown in Fig. 2. The APM2 projectiles have hardened steel cores with hardness of Rockwell C61–63 whereas the BS41 has a tungsten carbide core. The physical characteristic of these projectiles are listed in Table 3. Additionally, a few experiments were

repeated with the 0.30-cal. APM2 Test Parts Kit (0.30-cal kit) round. This round is a US Army-authorized replacement for the historical 0.30-cal. APM2 due to the near depletion of the 0.30-cal. APM2 supply.

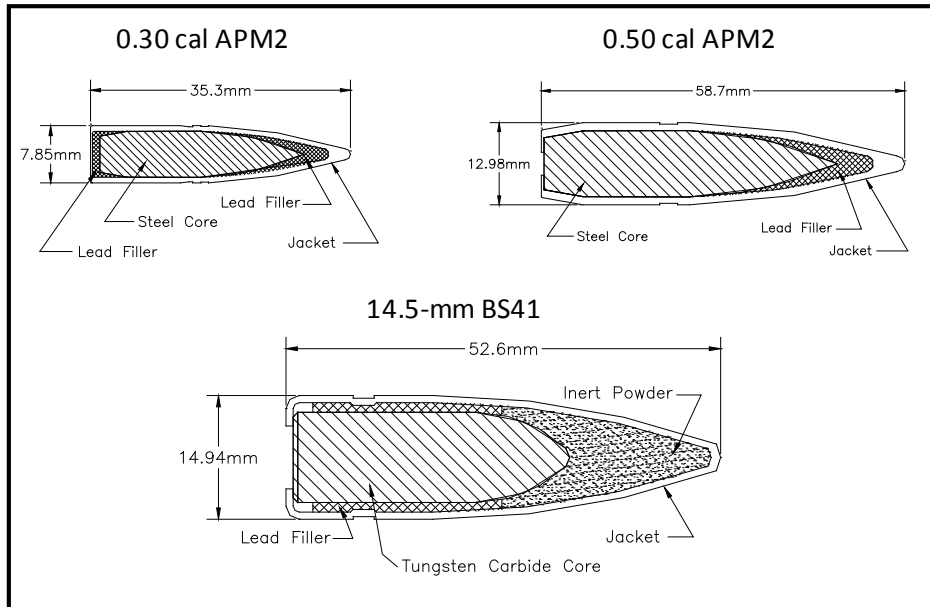


Fig. 2 AP projectiles

Table 3 AP projectiles' physical characteristics⁵

Projectile Type	Projectile			Core		
	Length (mm)	Diameter (mm)	Weight (g)	Length (mm)	Diameter (mm)	Weight (g)
0.30-cal. APM2	35.3	7.85	10.8	27.4	6.2	5.3
0.50-cal. APM2	58.7	12.98	45.9	47.5	10.9	25.9
14.5-mm BS41	52.6	14.94	63.2	32.3	10.9	37.9

3.2 Fragment-Simulating Projectiles (FSP)

FSPs (Fig. 3) are a family of projectiles that are flat-nosed, right circular cylinders manufactured to MIL-DTL-46593B (MR).⁶ These projectiles are used in material evaluations and acceptance testing to simulate performance against fragments produced from improvised explosive devices and artillery. Both 0.50-cal. and 20-mm FSPs were used for the evaluation of AA6055.

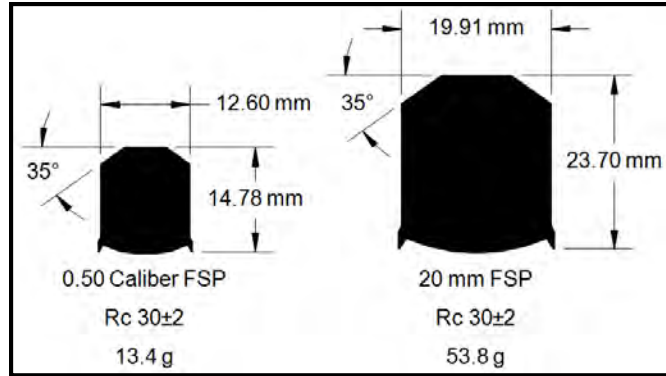


Fig. 3 FSP projectiles

4. Results and Analysis

The test results are summarized in Tables 4–9. The individual shot records are provided in Appendix A. Additionally, ballistic data obtained by the US Army, Aberdeen Test Center (ATC)⁷ are included in Appendix B.

Table 4 0.30 cal. APM2, 30° obliquity V₅₀ ballistic limits for AA6055

Plate ID	Nominal Thickness		Actual Thickness		Areal Density		V ₅₀		Standard Deviation	
	(mm)	(in)	(mm)	(in)	(kg/m ²)	(lb/ft ²)	(m/s)	ft/s	(m/s)	(ft/s)
521-782	12.70	0.50	12.93	0.509	35.07	7.18	482	1582	8	26
521-782 ^a	12.70	0.50	12.93	0.509	35.07	7.18	479	1571	10	34
521-792	12.70	0.50	12.95	0.510	35.13	7.20	479	1573	7	24
521-792	12.70	0.50	12.98	0.511	35.20	7.21	474	1556	9	29
521-802	19.05	0.75	19.02	0.749	51.60	10.57	610	2001	10	32
521-812	19.05	0.75	19.08	0.751	51.74	10.60	609	1998	10	33
521-812 ^a	19.05	0.75	19.08	0.751	51.74	10.60	614	2016	8	25

^a0.30-cal kit

Table 5 0.30 cal. APM2, 0° obliquity V₅₀ ballistic limits for AA6055

Plate ID	Nominal Thickness		Actual Thickness		Areal Density		V ₅₀		Standard Deviation	
	mm	in	mm	in	kg/m ²	lb/ft ²	m/s	ft/s	m/s	ft/s
521-802	19.05	0.75	19.02	0.749	51.60	10.57	539	1770	11	37
521-812	19.05	0.75	19.08	0.751	51.74	10.60	537	1762	6	20
521-812 ^a	19.05	0.75	19.08	0.751	51.74	10.60	531	1743	6	21
521-822	25.40	1.00	25.25	0.994	68.48	14.03	618	2028	10	34
521-822 ^a	25.40	1.00	25.25	0.994	68.48	14.03	620	2033	6	21
521-832	25.40	1.00	25.68	1.011	69.65	14.27	634	2079	9	31
521-842	25.40	1.00	25.37	0.999	68.82	14.10	630	2067	8	25
521-871	38.10	1.50	37.97	1.495	102.99	21.09	798	2618	5	17
521-871 ^a	38.10	1.50	37.97	1.495	102.99	21.09	800	2626	9	28
521-872	38.10	1.50	37.97	1.495	102.99	21.09	788	2585	8	26
521-881	38.10	1.50	38.02	1.497	103.13	21.12	803	2634	9	28
521-882	38.10	1.50	38.10	1.500	103.34	21.17	809	2654	8	25
521-892	38.10	1.50	38.05	1.498	103.20	21.14	808	2651	8	27

^a0.30-cal kit**Table 6 0.50 cal. APM2, 0° obliquity V₅₀ ballistic limits for AA6055**

Plate ID	Nominal Thickness		Actual Thickness		Areal Density		V ₅₀		Standard Deviation	
	(mm)	(in)	(mm)	(in)	(kg/m ²)	(lb/ft ²)	(m/s)	(ft/s)	(m/s)	(ft/s)
521-871	38.10	1.50	37.92	1.493	102.85	21.07	585	1918	7	24
521-872	38.10	1.50	37.95	1.494	102.92	21.08	584	1915	7	24
521-881	38.10	1.50	38.02	1.497	103.13	21.12	584	1917	9	29
521-882	38.10	1.50	38.07	1.499	103.27	21.15	600	1969	9	28
521-892	38.10	1.50	38.05	1.498	103.20	21.14	603	1977	11	36
521-901	50.80	2.00	50.22	1.977	136.20	27.90	687	2254	5	15
521-902	50.80	2.00	45.47	1.790	123.31	25.26	686	2251	9	29
521-911	50.80	2.00	50.77	1.999	137.71	28.21	704	2309	5	16
521-921	50.80	2.00	50.90	2.004	138.06	28.28	697	2286	6	19
521-922	50.80	2.00	50.29	1.980	136.40	27.94	694	2278	6	21
521-941	63.50	2.50	63.50	2.500	172.23	35.28	797	2615	7	24
521-942	63.50	2.50	63.17	2.487	171.33	35.09	814	2671	8	27
521-951	76.20	3.00	74.12	2.918	201.02	41.17	906	2974	8	25

Table 7 14.5-mm BS41, 0° obliquity V₅₀ ballistic limits for AA6055

Plate ID	Nominal Thickness		Actual Thickness		Areal Density		V ₅₀		Standard Deviation	
	(mm)	(in)	(mm)	(in)	(kg/m ²)	(lb/ft ²)	(m/s)	(ft/s)	(m/s)	(ft/s)
521-951	76.20	3.00	74.12	2.918	201.02	41.17	839	2752	10	32

Table 8 0.50 cal. FSP, 0° obliquity V₅₀ ballistic limits for AA6055

Plate ID	Nominal Thickness		Actual Thickness		Areal Density		V ₅₀		Standard Deviation	
	(mm)	(in)	(mm)	(in)	(kg/m ²)	(lb/ft ²)	(m/s)	(ft/s)	(m/s)	(ft/s)
521-802	19.05	0.75	19.08	0.751	51.74	10.60	575	1888	4	13
521-812	19.05	0.75	19.13	0.753	51.87	10.62	588	1929	6	19
521-822	25.40	1.00	25.17	0.991	68.27	13.98	926	3037	9	28
521-832	25.40	1.00	25.65	1.010	69.58	14.25	949	3114	8	27
521-842	25.40	1.00	25.35	0.998	68.75	14.08	918	3012	9	28

Table 9 20-mm FSP, 0° obliquity V₅₀ ballistic limits for AA6055

Plate ID	Nominal Thickness		Actual Thickness		Areal Density		V ₅₀		Standard Deviation	
	(mm)	(in)	(mm)	(in)	(kg/m ²)	(lb/ft ²)	(m/s)	(ft/s)	(m/s)	(ft/s)
521-822	25.40	1.00	25.17	0.991	68.27	13.98	442	1449	8	26
521-832	25.40	1.00	25.45	1.002	69.03	14.14	418	1372	5	16
521-842	25.40	1.00	25.40	1.000	68.89	14.11	422	1384	5	17
521-871	38.10	1.50	37.92	1.493	102.85	21.07	811	2661	8	26
521-881	38.10	1.50	38.02	1.497	103.13	21.12	817	2681	4	12
521-882	38.10	1.50	37.92	1.493	102.85	21.07	782	2565	7	24
521-892	38.10	1.50	38.10	1.500	103.34	21.17	741	2432	8	25
521-901	50.80	2.00	50.72	1.997	137.57	28.18	1215	3985	9	30
521-902	50.80	2.00	50.39	1.984	136.68	27.99	1199	3935	9	31
521-911	50.80	2.00	50.77	1.999	137.71	28.21	1202	3943	7	24
521-921	50.80	2.00	50.90	2.004	138.06	28.28	1169	3836	5	16
521-922	50.80	2.00	50.55	1.990	137.09	28.08	1175	3854	5	17

The results of the ballistic evaluation are compared directly against the acceptance curves of AA6061 in MIL-DTL-32262 and AA7039 in MIL-DTL-46063H⁸ for a higher-performing, 7XXX-series reference point. Figures 4–8 show the AA6055 test data collected by ARL and ATC as compared to the other specifications. The data displayed are the V₅₀ as a function of the plate thickness. To allow for a fair comparison against the existing specifications, a line depicting the V₅₀ -2σ was plotted against the acceptance specs. This line represents a V₀₂ rather than a V₅₀. To ensure successful protection at a given thickness, the lower band of the 2σ distribution (V₀₂ line) is used to define minimum-acceptable performance. A V₅₀ falling below this line is considered unacceptable. For comparison purposes it should also be noted that the plates are compared on a thickness basis to be consistent with the specifications; however, the densities of the alloys vary slightly.

Both AA6061 and AA6055 have a density of 2.71 g/cm³ whereas AA7039 has a density of 2.74 g/cm³.

As can be observed in the plots (Figs. 4–6), the AP performance for AA6055 is significantly higher than the existing AA6061 acceptance requirements. In fact, the data points approach the performance of AA7039 and in some cases actually exceed the AA7039 requirement. For the 0.30-cal. APM2 at 30° obliquity, the V₅₀ -2σ line falls above the AA7039 spec for plate thicknesses less than 0.675 inches.

Turning to the FSP performance (Figs. 7 and 8), it can be observed that the performance of 6055 continues to behave more like AA7039 than AA6061. The 0.50-cal FSP performance yielded several data points above the AA7039 specification and the V₅₀ -2σ line fell slightly below the AA7039 specification. Similarly, for the 20-mm FSP, AA6055 exhibited a steeper performance curve like AA7039 as compared to the shallower AA6061 curve. Also, like AA7039 the 20-mm FSP performance drops below the AA6061 performance for thinner plates. This transition occurs at 32.64 mm (1.285 in) for AA6055, which is slightly higher than the 30.35 mm (1.195 in) transition of AA7039.

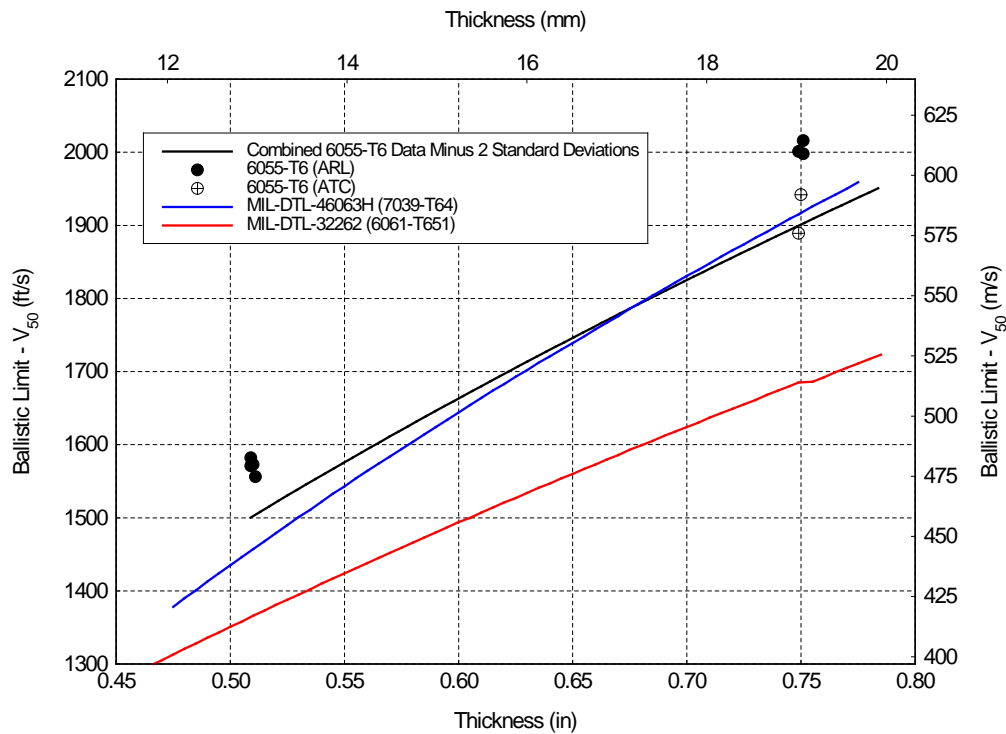


Fig. 4 Ballistic limit vs. thickness of AA6055 as compared to existing specs for the 0.30-cal APM2 at 30° obliquity

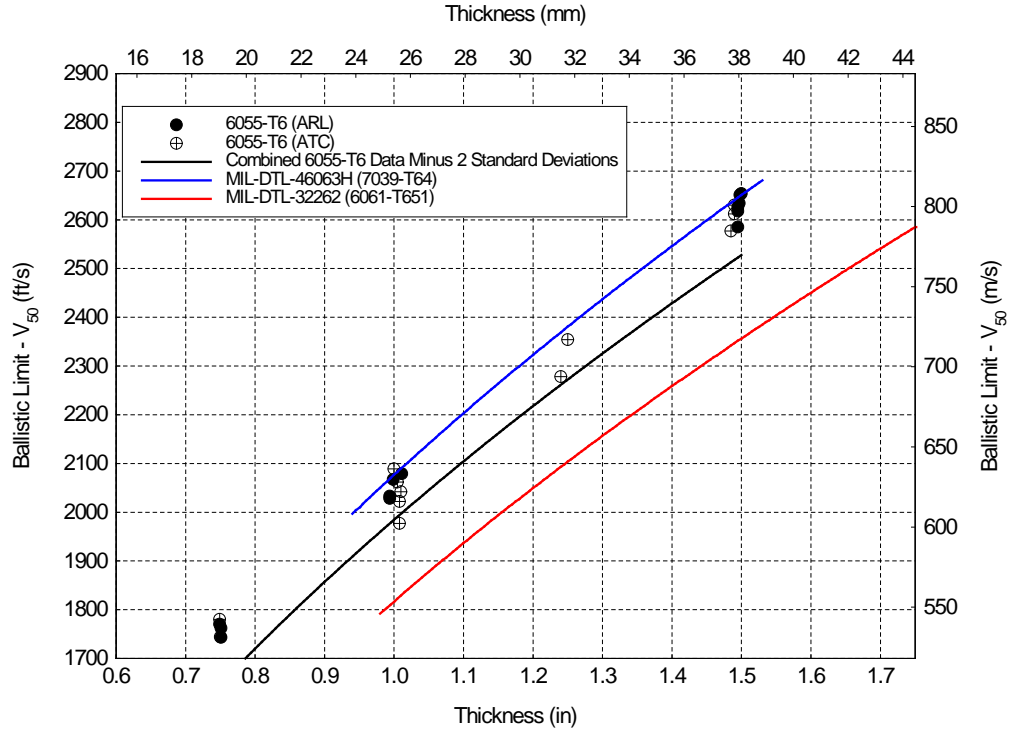


Fig. 5 Ballistic limit vs. thickness of AA6055 as compared to existing specs for the 0.30-cal APM2 at 0° obliquity

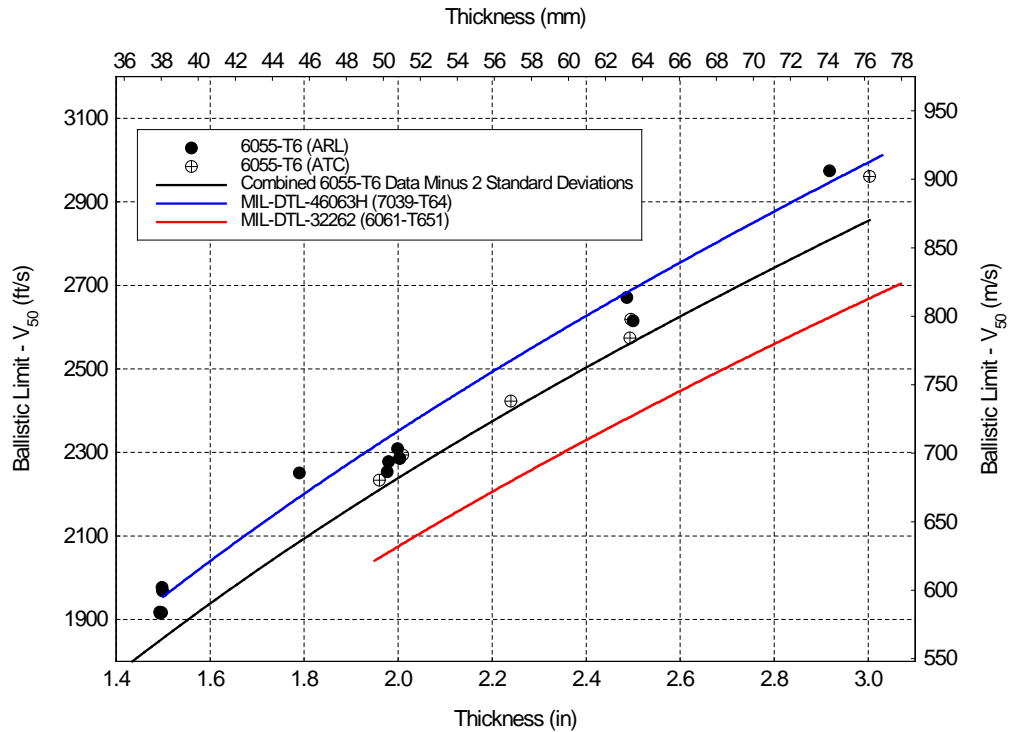


Fig. 6 Ballistic limit vs. thickness of AA6055 as compared to existing specs for the 0.50-cal APM2 at 0° obliquity

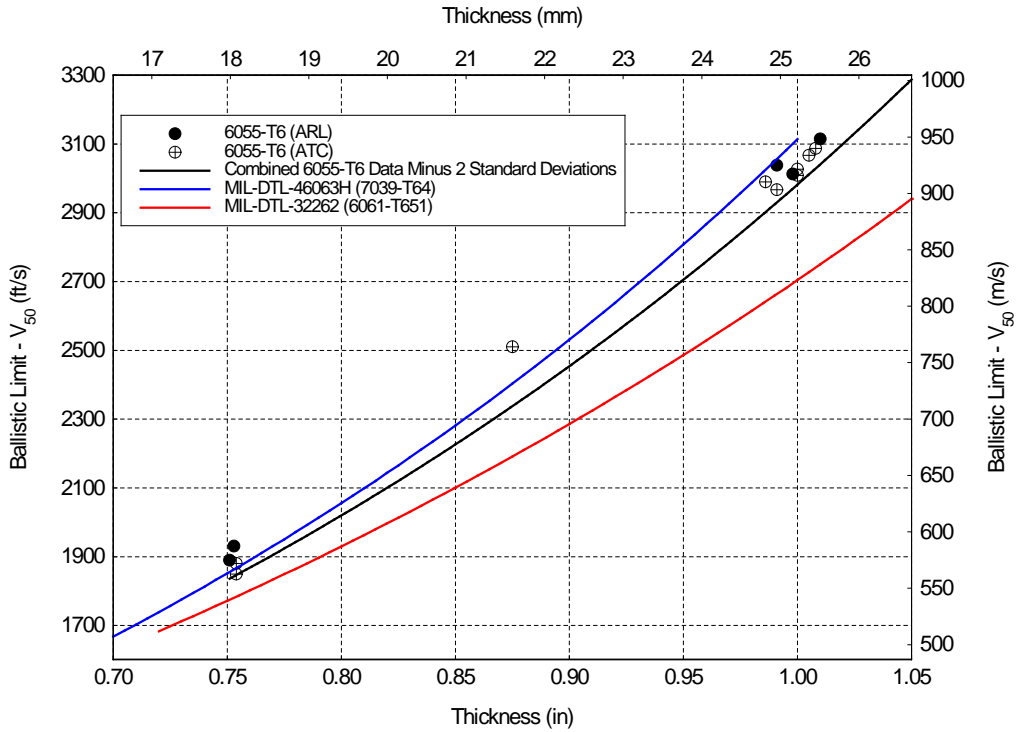


Fig. 7 Ballistic limit vs. thickness of AA6055 as compared to existing specs for the 0.50-cal FSP at 0° obliquity

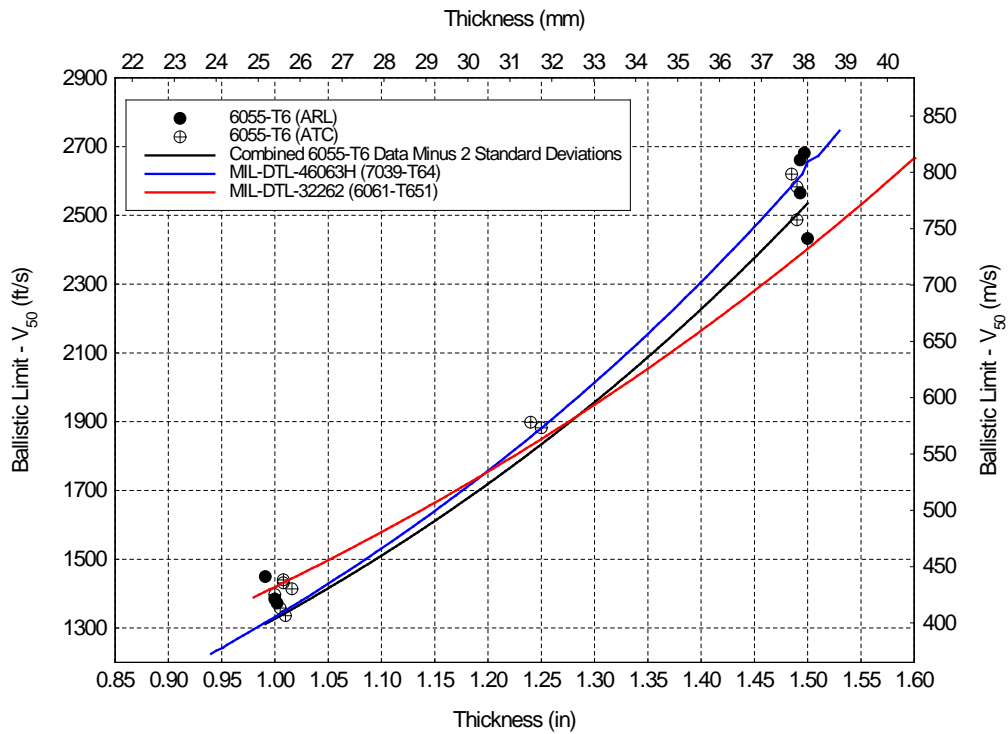


Fig. 8 Ballistic limit vs. thickness of AA6055 as compared to existing specs for the 20-mm FSP at 0° obliquity

The data collected by ARL, as well as data collected by ATC,⁷ were then used to generate acceptance tables for MIL-DTL-32262A (MR). The acceptance velocities were calculated by fitting the V_{50} data minus 2 standard deviations with Eqs. 3 and 4 for AP and FSP projectiles respectively.^{9,10}

$$V_A = 1000\sqrt{a+bt} \quad (3)$$

$$V_A = 1000e^{a+bt} \quad (4)$$

In the above equations V_A is the acceptance velocity, t is the actual thickness of the plate, and both a and b are constants of regression. Table 10 lists the constants of regression and the Pearson's R correlation coefficient for each projectile. The ballistic tables corresponding to the acceptance curves can be found in MIL-DTL-32262A (MR).

Table 10 Constants of regression for the acceptance curves for AA6055

Projectile Type	6055		
	a	b	R
0.30-cal AP, M2 at 30°	-0.626	5.65	0.969
0.30-cal AP, M2 at 0°	-0.961	4.90	0.988
0.50-cal AP, M2 at 0°	-1.26	3.14	0.981
0.50-cal FSP at 0°	-0.858	1.95	0.994
20-mm FSP at 0°	-1.01	1.29	0.987

5. Conclusions

A ballistic evaluation has been performed on AA6055 in the T651 temper. This report has compared the performance of AA6055 against existing mil-spec, aluminum-armor material, namely AA6061 and AA7039. AA6055 performed better than AA6061 against both AP and FSP projectiles. The only exception is 20-mm FSP performance below 1.285 inches, where AA6061 exhibits higher performance. This report has also documented the calculations used to derive the acceptance tables included in the updated military specification, MIL-DTL-32262A (MR).

6. References

1. MIL-DTL-32262A (MR). Armor plate, aluminum alloy 6055 weldable & alloy 6061, unweldable applique; Aberdeen Proving Ground (MD): Army Research Laboratory; 2015 Mar 16.
2. International alloy designations and chemical composition limits for wrought aluminum and wrought aluminum alloys. Arlington (VA): The Aluminum Association, Inc.; 2009 Feb.
3. MIL-STD-662F. V_{50} ballistic test for armor. Aberdeen Proving Ground (MD): Army Research Laboratory; 1997 Dec 18.
4. Grabarek C, Herr L. X-ray multi-flash system for measurement of projectile performance at the target. Aberdeen Proving Ground (MD): Army Ballistic Research Laboratory (US); 1966 Sep. Report No.: BRL-TN-1634.
5. Mascianica F. Ballistic technology of lightweight armor. Watertown (MA): Army Materials Research Agency (US); 1964 Sep. Report No.: AMRA MS 64-07.
6. MIL-DTL-46593B (MR). Projectile, calibers .22, .30, .50, and 20 mm fragment-simulating. Aberdeen Proving Ground (MD): Army Research Laboratory; 2008 Aug 11.
7. Beavers K. Unpublished data on 6055. Aberdeen Proving Ground (MD): Army Aberdeen Test Center (US); 2013 Oct 9.
8. MIL-DTL-46063H. Armor plate, aluminum alloy, 7039. Aberdeen Proving Ground (MD): Army Research Laboratory; 1998 Sep 14.
9. DeLuca E, Anctil A. Laminate armor for light combat vehicles. Watertown (MA): Army Materials Technology Laboratory (US); 1986 Apr. Report No.: MTL TR 86-14.
10. Van Caneghem R, Typanski D, Latham R. Appendix C: Ballistic testing of aluminum armor alloys – shock testing of weldments and specification data. Aberdeen Proving Ground, MD: Army Combat Systems Test Activity (US); 1986 Apr. Report No.: MTL TR 86-14.

Appendix A. Ballistic Test Data

This appendix appears in its original form, without editorial change.

0.30-cal APM2

Target:	6055-T651			Date:	4/4/2013		
Plate Number:	521-782			Location:	EF 106		
Thickness, in:	0.509						
Thickness, mm:	12.93						
Hardness, BHN:	134						
Obliquity:	30°						
Projectile:	0.30 cal APM2						
Velocity Measurement:	Chrono						
	V₅₀: 1582 ft/s				Number of Shots: 4		
	Std Dev: 26 ft/s				Spread: 58 ft/s		
	ZMR: 16 ft/s						
Striking Velocity		Pitch	Yaw	Result	Used for V ₅₀	Shot	Comments
(ft/s)	(m/s)	(deg)	(deg)	(PP/CP)	(Yes/No)	Number	
1645	501	--	--	CP	No	12530	
1566	477	--	--	CP	Yes	12531	
1467	447	--	--	PP	No	12532	
1468	447	--	--	PP	No	12533	
1511	461	--	--	PP	No	12534	
1530	466	--	--	PP	No	12535	
1582	482	--	--	PP	Yes	12536	
1619	493	--	--	CP	Yes	12537	
1561	476	--	--	PP	Yes	12538	

Target:	6055-T651			Date:	4/9/2013		
Plate Number:	521-782			Location:	EF 106		
Thickness, in:	0.509						
Thickness, mm:	12.93						
Hardness, BHN:	134						
Obliquity:	30°						
Projectile:	0.30 cal Kit						
Velocity Measurement:	Chrono						
V ₅₀ : 1571 ft/s				Number of Shots: 6			
Std Dev: 34 ft/s				Spread: 82 ft/s			
ZMR: N/A							
Striking Velocity		Pitch	Yaw	Result	Used for V ₅₀	Shot	Comments
(ft/s)	(m/s)	(deg)	(deg)	(PP/CP)	(Yes/No)	Number	
1652	504	--	--	CP	No	12539	
1529	466	--	--	PP	Yes	12540	
1586	483	--	--	CP	Yes	12541	
1528	466	--	--	PP	Yes	12542	
1524	464	--	--	PP	No	12543	
1610	491	--	--	CP	Yes	12544	
1579	481	--	--	PP	Yes	12545	
1592	485	--	--	CP	Yes	12546	

Target:	6055-T651			Date:	4/9/2013		
Plate Number:	521-792			Location:	EF 106		
Thickness, in:	0.510						
Thickness, mm:	12.95						
Hardness, BHN:	137						
Obliquity:	30°						
Projectile:	0.30 cal APM2						
Velocity Measurement:	Chrono						
V ₅₀ : 1573 ft/s				Number of Shots: 4			
Std Dev: 24 ft/s				Spread: 51 ft/s			
ZMR: N/A							
Striking Velocity		Pitch	Yaw	Result	Used for V ₅₀	Shot	Comments
(ft/s)	(m/s)	(deg)	(deg)	(PP/CP)	(Yes/No)	Number	
1524	464	--	--	PP	No	12547	
1617	493	--	--	CP	No	12548	
1632	497	--	--	CP	No	12549	
1584	483	--	--	CP	Yes	12550	
1537	468	--	--	PP	Yes	12551	
1584	483	--	--	PP	Yes	12552	
1588	484	--	--	CP	Yes	12553	

Target:	6055-T651			Date:	6/12/2013		
Plate Number:	521-792			Location:	EF 106		
Thickness, in:	0.511						
Thickness, mm:	12.98						
Hardness, BHN:	137						
Obliquity:	30°						
Projectile:	0.30 cal APM2						
Velocity Measurement:	Chrono						
V ₅₀ : 1556 ft/s				Number of Shots: 6			
Std Dev: 29 ft/s				Spread: 75 ft/s			
ZMR: N/A							
Striking Velocity		Pitch	Yaw	Result	Used for V ₅₀	Shot	Comments
(ft/s)	(m/s)	(deg)	(deg)	(PP/CP)	(Yes/No)	Number	
1447	441	--	--	PP	No	12761	
1517	462	--	--	PP	Yes	12762	
1785	544	--	--	CP	No	12763	
1659	506	--	--	CP	No	12764	
1592	485	--	--	CP	Yes	12765	
1633	498	--	--	CP	No	12766	
1537	468	--	--	PP	Yes	12767	
1585	483	--	--	CP	Yes	12768	
1605	489	--	--	CP	No	12769	
1561	476	--	--	CP	Yes	12770	
1542	470	--	--	PP	Yes	12771	

Target:	6055-T651			Date:	3/5/2013		
Plate Number:	521-802			Location:	EF 106		
Thickness, in:	0.749						
Thickness, mm:	19.02						
Hardness, BHN:	128						
Obliquity:	30°						
Projectile:	0.30 cal APM2						
Velocity Measurement:	Chrono						
V ₅₀ : 2001 ft/s					Number of Shots: 6		
Std Dev: 32 ft/s					Spread: 78 ft/s		
ZMR: 39 ft/s							
Striking Velocity		Pitch	Yaw	Result	Used for V ₅₀	Shot	Comments
(ft/s)	(m/s)	(deg)	(deg)	(PP/CP)	(Yes/No)	Number	
2048	624	--	--	CP	Yes	12388	
1973	601	--	--	PP	Yes	12389	
2028	618	--	--	CP	Yes	12390	
1979	603	--	--	PP	Yes	12391	
1905	581	--	--	PP	No	12392	
1970	600	--	--	CP	Yes	12393	
2009	612	--	--	PP	Yes	12394	

Target:	6055-T651			Date:	3/7/2013		
Plate Number:	521-812			Location:	EF 106		
Thickness, in:	0.751						
Thickness, mm:	19.08						
Hardness, BHN:	126						
Obliquity:	30°						
Projectile:	0.30 cal APM2						
Velocity Measurement:	Chrono						
V₅₀: 1998 ft/s				Number of Shots: 6			
Std Dev: 33 ft/s				Spread: 76 ft/s			
ZMR: N/A							
Striking Velocity		Pitch	Yaw	Result	Used for V₅₀	Shot	Comments
(ft/s)	(m/s)	(deg)	(deg)	(PP/CP)	(Yes/No)	Number	
1954	596	--	--	PP	Yes	12395	
2046	624	--	--	CP	No	12396	
2030	619	--	--	CP	Yes	12397	
1969	600	--	--	PP	Yes	12398	
2029	618	--	--	CP	Yes	12399	
2022	616	--	--	CP	Yes	12400	
1982	604	--	--	PP	Yes	12401	

Target:	6055-T651			Date:	3/7/2013		
Plate Number:	521-812			Location:	EF 106		
Thickness, in:	0.751						
Thickness, mm:	19.08						
Hardness, BHN:	126						
Obliquity:	30°						
Projectile:	0.30 cal Kit						
Velocity Measurement:	Chrono						
V ₅₀ : 2016 ft/s				Number of Shots: 4			
Std Dev: 25 ft/s				Spread: 53 ft/s			
ZMR: N/A							
Striking Velocity		Pitch	Yaw	Result	Used for V ₅₀	Shot	Comments
(ft/s)	(m/s)	(deg)	(deg)	(PP/CP)	(Yes/No)	Number	
2075	632	--	--	CP	No	12402	
1883	574	--	--	PP	No	12403	
1863	568	--	--	PP	No	12404	
2004	611	--	--	PP	Yes	12405	
2053	626	--	--	CP	Yes	12406	
2008	612	--	--	CP	Yes	12407	
2000	610	--	--	PP	Yes	12408	

Target:	6055-T651			Date:	3/4/2013		
Plate Number:	521-802			Location:	EF 106		
Thickness, in:	0.749						
Thickness, mm:	19.02						
Hardness, BHN:	128						
Obliquity:	0°						
Projectile:	0.30 cal APM2						
Velocity Measurement:	Chrono						
V ₅₀ : 1770 ft/s					Number of Shots: 6		
Std Dev: 37 ft/s					Spread: 87 ft/s		
ZMR: N/A							
Striking Velocity		Pitch	Yaw	Result	Used for V ₅₀	Shot	Comments
(ft/s)	(m/s)	(deg)	(deg)	(PP/CP)	(Yes/No)	Number	
1731	528	--	--	PP	Yes	12382	
1818	554	--	--	CP	Yes	12383	
1746	532	--	--	PP	Yes	12384	
1797	548	--	--	CP	Yes	12385	
1734	528	--	--	PP	Yes	12386	
1791	546	--	--	CP	Yes	12387	

Target:	6055-T651			Date:	2/28/2013		
Plate Number:	521-812			Location:	EF 106		
Thickness, in:	0.751						
Thickness, mm:	19.08						
Hardness, BHN:	126						
Obliquity:	0°						
Projectile:	0.30 cal APM2						
Velocity Measurement:	Chrono						
V ₅₀ : 1762 ft/s				Number of Shots: 4			
Std Dev: 20 ft/s				Spread: 45 ft/s			
ZMR: N/A							
Striking Velocity		Pitch	Yaw	Result	Used for V ₅₀	Shot	Comments
(ft/s)	(m/s)	(deg)	(deg)	(PP/CP)	(Yes/No)	Number	
1765	538	--	--	PP	Yes	12369	
1822	555	--	--	CP	No	12370	
1777	542	--	--	CP	Yes	12371	
1732	528	--	--	PP	Yes	12372	
1772	540	--	--	CP	Yes	12373	

Target:	6055-T651			Date:	2/28/2013		
Plate Number:	521-812			Location:	EF 106		
Thickness, in:	0.751						
Thickness, mm:	19.08						
Hardness, BHN:	126						
Obliquity:	0°						
Projectile:	0.30 cal Kit						
Velocity Measurement:	Chrono						
V ₅₀ : 1743 ft/s				Number of Shots: 4			
Std Dev: 21 ft/s				Spread: 44 ft/s			
ZMR: N/A							
Striking Velocity		Pitch	Yaw	Result	Used for V ₅₀	Shot	Comments
(ft/s)	(m/s)	(deg)	(deg)	(PP/CP)	(Yes/No)	Number	
1808	551	--	--	CP	No	12374	
1686	514	--	--	PP	No	12375	
1613	492	--	--	PP	No	12376	
1766	538	--	--	CP	Yes	12377	
1722	525	--	--	PP	Yes	12378	
1755	535	--	--	CP	Yes	12379	
1677	511	--	--	PP	No	12380	
1729	527	--	--	PP	Yes	12381	

Target:	6055-T651			Date:	2/26/2013		
Plate Number:	521-822			Location:	EF 106		
Thickness, in:	0.994						
Thickness, mm:	25.25						
Hardness, BHN:	118						
Obliquity:	0°						
Projectile:	0.30 cal APM2						
Velocity Measurement:	Chrono						
V ₅₀ : 2028 ft/s					Number of Shots: 6		
Std Dev: 34 ft/s					Spread: 79 ft/s		
ZMR: 28 ft/s							
Striking Velocity		Pitch	Yaw	Result	Used for V ₅₀	Shot	Comments
(ft/s)	(m/s)	(deg)	(deg)	(PP/CP)	(Yes/No)	Number	
1991	607	--	--	PP	Yes	12348	
2014	614	--	--	PP	Yes	12349	
2081	634	--	--	CP	No	12350	
1997	609	--	--	CP	Yes	12351	
2070	631	--	--	CP	Yes	12352	
2068	630	--	--	CP	Yes	12353	
2025	617	--	--	PP	Yes	12354	

Target:	6055-T651			Date:	2/25/2013		
Plate Number:	521-822			Location:	EF 106		
Thickness, in:	0.994						
Thickness, mm:	25.25						
Hardness, BHN:	118						
Obliquity:	0°						
Projectile:	0.30 cal Kit						
Velocity Measurement:	Chrono						
V ₅₀ : 2033 ft/s				Number of Shots: 4			
Std Dev: 21 ft/s				Spread: 52 ft/s			
ZMR: N/A							
Striking Velocity		Pitch	Yaw	Result	Used for V ₅₀	Shot	Comments
(ft/s)	(m/s)	(deg)	(deg)	(PP/CP)	(Yes/No)	Number	
2191	668	--	--	CP	No	12341	
2037	621	--	--	CP	Yes	12342	
1899	579	--	--	PP	No	12343	
2005	611	--	--	PP	Yes	12344	
1937	590	--	--	PP	No	12345	
2034	620	--	--	PP	Yes	12346	
2057	627	--	--	CP	Yes	12347	

Target:	6055-T651			Date:	2/26/2013		
Plate Number:	521-832			Location:	EF 106		
Thickness, in:	1.011						
Thickness, mm:	25.68						
Hardness, BHN:	124						
Obliquity:	0°						
Projectile:	0.30 cal APM2						
Velocity Measurement:	Chrono						
V ₅₀ : 2079 ft/s				Number of Shots: 6			
Std Dev: 31 ft/s				Spread: 83 ft/s			
ZMR: 17 ft/s							
Striking Velocity		Pitch	Yaw	Result	Used for V ₅₀	Shot	Comments
(ft/s)	(m/s)	(deg)	(deg)	(PP/CP)	(Yes/No)	Number	
2021	616	--	--	PP	No	12355	
2114	644	--	--	CP	Yes	12356	
2106	642	--	--	CP	Yes	12357	
2031	619	--	--	PP	Yes	12358	
2011	613	--	--	PP	No	12359	
2062	628	--	--	PP	Yes	12360	
2072	632	--	--	CP	Yes	12361	
2089	637	--	--	PP	Yes	12362	

Target:	6055-T651			Date:	2/27/2013		
Plate Number:	521-842			Location:	EF 106		
Thickness, in:	0.999						
Thickness, mm:	25.37						
Hardness, BHN:	124						
Obliquity:	0°						
Projectile:	0.30 cal APM2						
Velocity Measurement:	Chrono						
V₅₀: 2067 ft/s				Number of Shots: 4			
Std Dev: 25 ft/s				Spread: 55 ft/s			
ZMR: N/A							
Striking Velocity		Pitch	Yaw	Result	Used for V₅₀	Shot	Comments
(ft/s)	(m/s)	(deg)	(deg)	(PP/CP)	(Yes/No)	Number	
2120	646	--	--	CP	No	12363	
1977	603	--	--	PP	No	12364	
2037	621	--	--	PP	Yes	12365	
2056	627	--	--	PP	Yes	12366	
2081	634	--	--	CP	Yes	12367	
2092	638	--	--	CP	Yes	12368	

Target:	6055-T651			Date:	3/12/2013		
Plate Number:	521-871			Location:	EF 106		
Thickness, in:	1.495						
Thickness, mm:	37.97						
Hardness, BHN:	112						
Obliquity:	0°						
Projectile:	0.30 cal APM2						
Velocity Measurement:	Chrono						
V ₅₀ : 2618 ft/s				Number of Shots: 4			
Std Dev: 17 ft/s				Spread: 38 ft/s			
ZMR: N/A							
Striking Velocity		Pitch	Yaw	Result	Used for V ₅₀	Shot	Comments
(ft/s)	(m/s)	(deg)	(deg)	(PP/CP)	(Yes/No)	Number	
2562	781	--	--	PP	No	12415	
2635	803	--	--	CP	Yes	12416	
2597	792	--	--	PP	Yes	12417	
2612	796	--	--	PP	Yes	12418	
2626	800	--	--	CP	Yes	12419	

Target:	6055-T651			Date:	3/11/2013		
Plate Number:	521-871			Location:	EF 106		
Thickness, in:	1.495						
Thickness, mm:	37.97						
Hardness, BHN:	112						
Obliquity:	0°						
Projectile:	0.30 cal Kit						
Velocity Measurement:	Chrono						
V ₅₀ : 2626 ft/s				Number of Shots: 4			
Std Dev: 28 ft/s				Spread: 55 ft/s			
ZMR: N/A							
Striking Velocity		Pitch	Yaw	Result	Used for V ₅₀	Shot	Comments
(ft/s)	(m/s)	(deg)	(deg)	(PP/CP)	(Yes/No)	Number	
2757	840	--	--	CP	No	12409	
2711	826	--	--	CP	No	12410	
2600	792	--	--	PP	Yes	12411	
2655	809	--	--	CP	Yes	12412	
2603	793	--	--	PP	Yes	12413	
2645	806	--	--	CP	Yes	12414	

Target:	6055-T651			Date:	3/12/2013		
Plate Number:	521-872			Location:	EF 106		
Thickness, in:	1.495						
Thickness, mm:	37.97						
Hardness, BHN:	121						
Obliquity:	0°						
Projectile:	0.30 cal APM2						
Velocity Measurement:	Chrono						
V ₅₀ : 2585 ft/s					Number of Shots: 4		
Std Dev: 26 ft/s					Spread: 53 ft/s		
ZMR: N/A							
Striking Velocity		Pitch	Yaw	Result	Used for V ₅₀	Shot	Comments
(ft/s)	(m/s)	(deg)	(deg)	(PP/CP)	(Yes/No)	Number	
2654	809	--	--	CP	No	12420	
2546	776	--	--	PP	Yes	12421	
2621	799	--	--	CP	No	12422	
2599	792	--	--	PP	Yes	12423	
2594	791	--	--	CP	Yes	12424	
2599	792	--	--	CP	Yes	12425	

Target:	6055-T651			Date:	3/13/2013		
Plate Number:	521-881			Location:	EF 106		
Thickness, in:	1.497						
Thickness, mm:	38.02						
Hardness, BHN:	118						
Obliquity:	0°						
Projectile:	0.30 cal APM2						
Velocity Measurement:	Chrono						
V ₅₀ : 2634 ft/s					Number of Shots: 6		
Std Dev: 28 ft/s					Spread: 78 ft/s		
ZMR: N/A							
Striking Velocity		Pitch	Yaw	Result	Used for V ₅₀	Shot	Comments
(ft/s)	(m/s)	(deg)	(deg)	(PP/CP)	(Yes/No)	Number	
2587	788	--	--	PP	Yes	12426	
2631	802	--	--	PP	Yes	12427	
2702	824	--	--	CP	No	12428	
2665	812	--	--	CP	Yes	12429	
2642	805	--	--	CP	Yes	12430	
2659	810	--	--	CP	Yes	12431	
2621	799	--	--	PP	Yes	12432	

Target:	6055-T651			Date:	3/13/2013		
Plate Number:	521-882			Location:	EF 106		
Thickness, in:	1.500						
Thickness, mm:	38.10						
Hardness, BHN:	121						
Obliquity:	0°						
Projectile:	0.30 cal APM2						
Velocity Measurement:	Chrono						
V ₅₀ : 2654 ft/s				Number of Shots: 4			
Std Dev: 25 ft/s				Spread: 58 ft/s			
ZMR: N/A							
Striking Velocity		Pitch	Yaw	Result	Used for V ₅₀	Shot	Comments
(ft/s)	(m/s)	(deg)	(deg)	(PP/CP)	(Yes/No)	Number	
2641	805	--	--	PP	Yes	12433	
2723	830	--	--	CP	No	12434	
2689	820	--	--	CP	Yes	12435	
2654	809	--	--	CP	Yes	12436	
2563	781	--	--	PP	No	12437	
2631	802	--	--	PP	Yes	12438	

Target:	6055-T651			Date:	6/11/2013		
Plate Number:	521-892			Location:	EF 106		
Thickness, in:	1.498						
Thickness, mm:	38.05						
Hardness, BHN:	109						
Obliquity:	0°						
Projectile:	0.30 cal APM2						
Velocity Measurement:	Chrono						
V ₅₀ : 2651 ft/s				Number of Shots: 6			
Std Dev: 27 ft/s				Spread: 76 ft/s			
ZMR: 25 ft/s							
Striking Velocity		Pitch	Yaw	Result	Used for V ₅₀	Shot	Comments
(ft/s)	(m/s)	(deg)	(deg)	(PP/CP)	(Yes/No)	Number	
2661	811	--	--	PP	Yes	12753	
2803	854	--	--	CP	No	12754	
2711	826	--	--	CP	No	12755	
2683	818	--	--	CP	Yes	12756	
2607	795	--	--	PP	Yes	12757	
2670	814	--	--	CP	Yes	12758	
2636	803	--	--	CP	Yes	12759	
2649	807	--	--	PP	Yes	12760	

0.50-cal APM2

Target:	6055-T651			Date:	4/8/2013		
Plate Number:	521-871			Location:	EF 110G		
Thickness, in:	1.493						
Thickness, mm:	37.92						
Hardness, BHN:	112						
Obliquity:	0°						
Projectile:	0.50 cal APM2						
Velocity Measurement:	Xray						
	V₅₀: 1918 ft/s				Number of Shots: 4		
	Std Dev: 24 ft/s				Spread: 47 ft/s		
	ZMR: N/A						
Striking Velocity		Pitch	Yaw	Result	Used for V ₅₀	Shot	Comments
(ft/s)	(m/s)	(deg)	(deg)	(PP/CP)	(Yes/No)	Number	
1901	579	-0.50	-0.25	PP	Yes	14347	
1942	592	-0.50	0.25	CP	Yes	14348	
1935	590	-0.50	-0.25	CP	Yes	14349	
1895	578	0.25	0.00	PP	Yes	14350	

Target:	6055-T651			Date:	4/9/2013		
Plate Number:	521-872			Location:	EF 110G		
Thickness, in:	1.494						
Thickness, mm:	37.95						
Hardness, BHN:	112						
Obliquity:	0°						
Projectile:	0.50 cal APM2						
Velocity Measurement:	Xray						
V ₅₀ : 1915 ft/s					Number of Shots: 4		
Std Dev: 24 ft/s					Spread: 56 ft/s		
ZMR: N/A							
Striking Velocity		Pitch	Yaw	Result	Used for V ₅₀	Shot	Comments
(ft/s)	(m/s)	(deg)	(deg)	(PP/CP)	(Yes/No)	Number	
1941	592	0.25	0.00	CP	Yes	14356	
1927	587	0.25	-0.25	CP	Yes	14357	
1885	575	0.00	-0.50	PP	Yes	14358	
1907	581	0.00	0.00	PP	Yes	14359	

Target:	6055-T651			Date:	4/4/2013		
Plate Number:	521-881			Location:	EF 110G		
Thickness, in:	1.497						
Thickness, mm:	38.02						
Hardness, BHN:	121						
Obliquity:	0°						
Projectile:	0.50 cal APM2						
Velocity Measurement:	Xray						
V ₅₀ :		1917 ft/s		Number of Shots:		4	
Std Dev:		29 ft/s		Spread:		57 ft/s	
ZMR:		N/A					
Striking Velocity		Pitch	Yaw	Result	Used for V ₅₀	Shot	Comments
(ft/s)	(m/s)	(deg)	(deg)	(PP/CP)	(Yes/No)	Number	
1989	606	-0.25	-0.25	CP	No	14342	
1888	575	0.00	0.00	PP	Yes	14343	
1945	593	0.00	0.00	CP	Yes	14344	
1939	591	-0.25	-0.25	CP	Yes	14345	
1896	578	0.00	0.00	PP	Yes	14346	

Target:	6055-T651			Date:	4/3/2013		
Plate Number:	521-882			Location:	EF 110G		
Thickness, in:	1.499						
Thickness, mm:	38.07						
Hardness, BHN:	107						
Obliquity:	0°						
Projectile:	0.50 cal APM2						
Velocity Measurement:	Xray						
V ₅₀ :		1969 ft/s		Number of Shots:		4	
Std Dev:		28 ft/s		Spread:		59 ft/s	
ZMR:		N/A					
Striking Velocity		Pitch	Yaw	Result	Used for V ₅₀	Shot	Comments
(ft/s)	(m/s)	(deg)	(deg)	(PP/CP)	(Yes/No)	Number	
2271	692	0.00	0.75	CP	No	14333	
1986	605	0.00	0.25	CP	Yes	14334	
1882	574	-0.25	0.00	PP	No	14335	
1915	584	0.25	-0.75	PP	No	14336	
1914	583	0.25	0.00	PP	No	14337	
1940	591	-0.75	0.25	PP	Yes	14338	
2021	616	0.00	-0.25	CP	No	14339	
1950	594	0.25	0.00	PP	Yes	14340	
1999	609	0.00	0.00	CP	Yes	14341	

Target:	6055-T651			Date:	6/25/2013		
Plate Number:	521-892			Location:	EF 108		
Thickness, in:	1.498						
Thickness, mm:	38.05						
Hardness, BHN:	109						
Obliquity:	0°						
Projectile:	0.50 cal APM2						
Velocity Measurement:	Xray						
V ₅₀ : 1977 ft/s					Number of Shots: 6		
Std Dev: 36 ft/s					Spread: 87 ft/s		
ZMR: 12 ft/s							
Striking Velocity		Pitch	Yaw	Result	Used for V ₅₀	Shot	Comments
(ft/s)	(m/s)	(deg)	(deg)	(PP/CP)	(Yes/No)	Number	
1742	531	--	--	PP	No	11437	
1956	596	--	--	CP	Yes	11438	
1851	564	--	--	PP	No	11439	
1928	588	--	--	PP	No	11440	
1945	593	--	--	PP	Yes	11441	
1947	593	--	--	PP	Yes	11442	
1674	510	--	--	PP	No	11443	
2011	613	--	--	CP	Yes	11444	
1968	600	--	--	PP	Yes	11445	
1526	465	--	--	PP	No	11446	
1484	452	--	--	PP	No	11447	
1611	491	--	--	PP	No	11448	
1679	512	--	--	PP	No	11449	
1903	580	--	--	PP	No	11450	
2032	619	--	--	CP	Yes	11451	

Target:	6055-T651			Date:	4/12/2013		
Plate Number:	521-901			Location:	EF 110G		
Thickness, in:	1.977						
Thickness, mm:	50.22						
Hardness, BHN:	101						
Obliquity:	0°						
Projectile:	0.50 cal APM2						
Velocity Measurement:	Xray						
V ₅₀ : 2254 ft/s					Number of Shots: 4		
Std Dev: 15 ft/s					Spread: 33 ft/s		
ZMR: N/A							
Striking Velocity		Pitch	Yaw	Result	Used for V ₅₀ (Yes/No)	Shot Number	Comments
(ft/s)	(m/s)	(deg)	(deg)	(PP/CP)			
2343	714	0.25	-0.50	CP	No	14373	
2313	705	0.25	0.00	CP	No	14374	
2260	689	-1.00	0.25	CP	Yes	14375	
2212	674	-0.25	0.00	PP	No	14376	
2239	682	0.00	0.75	PP	Yes	14377	
2243	684	0.00	0.00	PP	Yes	14378	
2272	692	0.25	-0.25	CP	Yes	14379	

Target:	6055-T651			Date:	6/19/2013		
Plate Number:	521-902			Location:	EF 108		
Thickness, in:	1.790						
Thickness, mm:	45.47						
Hardness, BHN:	112						
Obliquity:	0°						
Projectile:	0.50 cal APM2						
Velocity Measurement:	Xray						
V₅₀: 2251 ft/s					Number of Shots: 4		
Std Dev: 29 ft/s					Spread: 58 ft/s		
ZMR: N/A							
Striking Velocity		Pitch	Yaw	Result	Used for V₅₀	Shot	Comments
(ft/s)	(m/s)	(deg)	(deg)	(PP/CP)	(Yes/No)	Number	
2296	700	--	--	CP	No	11431	
2277	694	--	--	CP	Yes	11432	
2151	656	--	--	PP	No	11433	
2219	676	--	--	PP	Yes	11434	
2275	693	--	--	CP	Yes	11435	
2233	681	--	--	PP	Yes	11436	

Target:	6055-T651			Date:	4/11/2013		
Plate Number:	521-911			Location:	EF 110G		
Thickness, in:	1.999						
Thickness, mm:	50.77						
Hardness, BHN:	107						
Obliquity:	0°						
Projectile:	0.50 cal APM2						
Velocity Measurement:	Xray						
V₅₀: 2309 ft/s					Number of Shots: 4		
Std Dev: 16 ft/s					Spread: 39 ft/s		
ZMR: N/A							
Striking Velocity		Pitch	Yaw	Result	Used for V₅₀	Shot	Comments
(ft/s)	(m/s)	(deg)	(deg)	(PP/CP)	(Yes/No)	Number	
2289	698	0.25	0.25	PP	Yes	14368	
2287	697	0.25	0.00	PP	No	14369	
2312	705	0.25	-0.25	CP	Yes	14370	
2305	703	0.25	0.00	PP	Yes	14371	
2328	710	0.25	0.00	CP	Yes	14372	

Target:	6055-T651			Date:	4/11/2013		
Plate Number:	521-921			Location:	EF 110G		
Thickness, in:	2.004						
Thickness, mm:	50.90						
Hardness, BHN:	107						
Obliquity:	0°						
Projectile:	0.50 cal APM2						
Velocity Measurement:	Xray						
	V₅₀: 2286 ft/s				Number of Shots: 4		
	Std Dev: 19 ft/s				Spread: 41 ft/s		
	ZMR: 28 ft/s						
Striking Velocity		Pitch	Yaw	Result	Used for V ₅₀	Shot	Comments
(ft/s)	(m/s)	(deg)	(deg)	(PP/CP)	(Yes/No)	Number	
2295	699	0.00	-0.25	PP	Yes	14360	
2350	716	-0.50	0.00	CP	No	14361	
2335	712	0.00	0.00	CP	No	14362	
2308	703	0.25	0.00	CP	Yes	14363	
2314	705	0.00	0.00	CP	No	14364	
2267	691	0.00	-0.25	CP	Yes	14365	
2228	679	0.00	0.00	PP	No	14366	
2273	693	0.00	0.00	PP	Yes	14367	

Target:	6055-T651			Date:	6/12/2013		
Plate Number:	521-922			Location:	EF 108		
Thickness, in:	1.980						
Thickness, mm:	50.29						
Hardness, BHN:	116						
Obliquity:	0°						
Projectile:	0.50 cal APM2						
Velocity Measurement:	Xray						
V ₅₀ :		2278 ft/s		Number of Shots:		4	
Std Dev:		21 ft/s		Spread:		49 ft/s	
ZMR:		N/A					
Striking Velocity		Pitch	Yaw	Result	Used for V ₅₀	Shot	Comments
(ft/s)	(m/s)	(deg)	(deg)	(PP/CP)	(Yes/No)	Number	
2325	709	--	--	CP	No	11423	
2093	638	--	--	PP	No	11424	
2168	661	--	--	PP	No	11425	
2253	687	--	--	PP	Yes	11426	
2338	713	--	--	CP	No	11427	
2302	702	--	--	CP	Yes	11428	
2272	692	--	--	PP	Yes	11429	
2285	696	--	--	CP	Yes	11430	

Target:	6055-T651			Date:	4/16/2013		
Plate Number:	521-941			Location:	EF 110G		
Thickness, in:	2.500						
Thickness, mm:	63.50						
Hardness, BHN:	112						
Obliquity:	0°						
Projectile:	0.50 cal APM2						
Velocity Measurement:	Xray						
V₅₀: 2615 ft/s				Number of Shots: 4			
Std Dev: 24 ft/s				Spread: 57 ft/s			
ZMR: N/A							
Striking Velocity		Pitch	Yaw	Result	Used for V₅₀	Shot	Comments
(ft/s)	(m/s)	(deg)	(deg)	(PP/CP)	(Yes/No)	Number	
2660	811	0.00	1.00	CP	No	14387	
2616	797	0.25	0.00	PP	Yes	14388	
2667	813	0.50	0.25	CP	No	14389	
2583	787	0.25	0.00	PP	Yes	14390	
2620	799	0.00	-0.25	CP	Yes	14391	
2640	805	0.50	0.25	CP	Yes	14392	

Target:	6055-T651			Date:	4/15/2013		
Plate Number:	521-942			Location:	EF 110G		
Thickness, in:	2.487						
Thickness, mm:	63.17						
Hardness, BHN:	112						
Obliquity:	0°						
Projectile:	0.50 cal APM2						
Velocity Measurement:	Xray						
V ₅₀ : 2671 ft/s				Number of Shots: 4			
Std Dev: 27 ft/s				Spread: 58 ft/s			
ZMR: N/A							
Striking Velocity		Pitch	Yaw	Result	Used for V ₅₀	Shot	Comments
(ft/s)	(m/s)	(deg)	(deg)	(PP/CP)	(Yes/No)	Number	
2622	799	0.00	0.25	PP	No	14380	
2758	841	0.00	-0.50	CP	No	14381	
2706	825	1.50	-0.25	CP	Yes	14382	
2648	807	0.25	0.50	PP	Yes	14383	
2678	816	0.00	0.00	CP	Yes	14384	
2662	811	0.00	0.00	X	No	14385	Projectile Hit Clamp - No Test
2651	808	0.25	0.75	PP	Yes	14386	

Target:	6055-T651			Date:	6/11/2013		
Plate Number:	521-951			Location:	EF 108		
Thickness, in:	2.918						
Thickness, mm:	74.12						
Hardness, BHN:	124						
Obliquity:	0°						
Projectile:	0.50 cal APM2						
Velocity Measurement:	Xray						
	V₅₀: 2974 ft/s				Number of Shots: 4		
	Std Dev: 25 ft/s				Spread: 57 ft/s		
	ZMR: N/A						
Striking Velocity		Pitch	Yaw	Result	Used for V ₅₀	Shot	Comments
(ft/s)	(m/s)	(deg)	(deg)	(PP/CP)	(Yes/No)	Number	
2893	882	--	--	PP	No	11418	
3009	917	--	--	CP	Yes	11419	
2959	902	--	--	PP	Yes	11420	
2975	907	--	--	CP	Yes	11421	
2952	900	--	--	PP	Yes	11422	

Target:	6055-T651			Date:	6/6/2013		
Plate Number:	521-951			Location:	EF 108		
Thickness, in:	2.918						
Thickness, mm:	74.12						
Hardness, BHN:	124						
Obliquity:	0°						
Projectile:	14.5 mm BS41						
Velocity Measurement:	Xray						
	V₅₀: 2752 ft/s				Number of Shots: 6		
	Std Dev: 32 ft/s				Spread: 84 ft/s		
	ZMR: N/A						
Striking Velocity		Pitch	Yaw	Result	Used for V ₅₀	Shot	Comments
(ft/s)	(m/s)	(deg)	(deg)	(PP/CP)	(Yes/No)	Number	
2508	764	--	--	PP	No	11410	
2604	794	--	--	PP	No	11411	
2793	851	--	--	CP	Yes	11412	
2709	826	--	--	PP	Yes	11413	
2722	830	--	--	PP	Yes	11414	
2757	840	--	--	CP	Yes	11415	
2752	839	--	--	PP	Yes	11416	
2779	847	--	--	CP	Yes	11417	

0.50-cal FSP

Target:	6055-T651			Date:	1/16/2013		
Plate Number:	521-802			Location:	EF 110G		
Thickness, in:	0.751						
Thickness, mm:	19.08						
Hardness, BHN:	126						
Obliquity:	0°						
Projectile:	0.50 cal FSP						
Velocity Measurement:	Xray						
V ₅₀ : 1888 ft/s					Number of Shots: 4		
Std Dev: 13 ft/s					Spread: 24 ft/s		
ZMR: N/A							
Striking Velocity		Pitch	Yaw	Result	Used for V ₅₀ (Yes/No)	Shot Number	Comments
(ft/s)	(m/s)	(deg)	(deg)	(PP/CP)			
1875	571	-0.25	0.00	PP	Yes	14185	
1958	597	0.25	-0.25	CP	No	14186	
1992	607	0.00	0.25	CP	No	14187	
1967	600	0.00	0.25	CP	No	14188	
1967	600	-0.25	-0.25	CP	No	14189	
1899	579	-0.50	-0.25	CP	Yes	14190	
1980	603	-0.25	-0.50	CP	No	14191	
1866	569	-0.25	-0.50	PP	No	14192	
1877	572	-0.25	-0.25	PP	Yes	14193	
1899	579	0.25	0.75	CP	Yes	14194	

Target:	6055-T651			Date:	1/15/2013		
Plate Number:	521-812			Location:	EF 110G		
Thickness, in:	0.753						
Thickness, mm:	19.13						
Hardness, BHN:	126						
Obliquity:	0°						
Projectile:	0.50 cal FSP						
Velocity Measurement:	Xray						
V ₅₀ : 1929 ft/s				Number of Shots: 4			
Std Dev: 19 ft/s				Spread: 46 ft/s			
ZMR: 46 ft/s							
Striking Velocity		Pitch	Yaw	Result	Used for V ₅₀	Shot	Comments
(ft/s)	(m/s)	(deg)	(deg)	(PP/CP)	(Yes/No)	Number	
1988	606	0.50	-0.50	CP	No	14177	
1903	580	0.50	0.25	CP	Yes	14178	
1793	546	0.00	0.00	PP	No	14179	
1818	554	0.50	-0.25	PP	No	14180	
1803	550	-0.25	0.25	PP	No	14181	
1933	589	0.50	-0.50	PP	Yes	14182	
1949	594	0.50	0.25	PP	Yes	14183	
1932	589	0.00	0.25	CP	Yes	14184	

Target:	6055-T651			Date:	1/9/2013		
Plate Number:	521-822			Location:	EF 110G		
Thickness, in:	0.991						
Thickness, mm:	25.17						
Hardness, BHN:	116						
Obliquity:	0°						
Projectile:	0.50 cal FSP						
Velocity Measurement:	Xray						
V ₅₀ :		3037 ft/s		Number of Shots:		4	
Std Dev:		28 ft/s		Spread:		60 ft/s	
ZMR:		N/A					
Striking Velocity		Pitch	Yaw	Result	Used for V ₅₀	Shot	Comments
(ft/s)	(m/s)	(deg)	(deg)	(PP/CP)	(Yes/No)	Number	
3431	1046	-0.50	1.00	CP	No	14149	
3455	1053	1.50	-1.00	CP	No	14150	
3257	993	-2.50	-1.50	CP	No	14151	
3324	1013	-0.25	-0.50	CP	No	14152	
3001	915	0.00	2.00	PP	Yes	14153	
3072	936	-0.75	-1.25	CP	No	14154	
3069	935	-0.75	1.00	CP	No	14155	
2971	906	-0.25	0.75	PP	No	14156	
3026	922	-0.50	0.50	PP	Yes	14157	
3058	932	-0.75	-0.50	CP	Yes	14158	
3061	933	0.00	0.25	CP	Yes	14159	

Target:	6055-T651			Date:	1/14/2013		
Plate Number:	521-832			Location:	EF 110G		
Thickness, in:	1.010						
Thickness, mm:	25.65						
Hardness, BHN:	118						
Obliquity:	0°						
Projectile:	0.50 cal FSP						
Velocity Measurement:	Xray						
V ₅₀ :		3114 ft/s		Number of Shots:		4	
Std Dev:		27 ft/s		Spread:		56 ft/s	
ZMR:		29 ft/s					
Striking Velocity		Pitch	Yaw	Result	Used for V ₅₀	Shot	Comments
(ft/s)	(m/s)	(deg)	(deg)	(PP/CP)	(Yes/No)	Number	
3032	924	0.00	0.00	PP	No	14171	
3079	938	0.00	0.50	PP	Yes	14172	
3106	947	0.25	0.25	CP	Yes	14173	
2964	903	-0.25	-0.25	PP	No	14174	
3134	955	0.00	0.75	CP	Yes	14175	
3135	956	0.00	0.50	PP	Yes	14176	

Target:	6055-T651			Date:	1/10/2013		
Plate Number:	521-842			Location:	EF 110G		
Thickness, in:	0.998						
Thickness, mm:	25.35						
Hardness, BHN:	124						
Obliquity:	0°						
Projectile:	0.50 cal FSP						
Velocity Measurement:	Xray						
	V₅₀: 3012 ft/s				Number of Shots: 6		
	Std Dev: 28 ft/s				Spread: 76 ft/s		
	ZMR: N/A						
Striking Velocity		Pitch	Yaw	Result	Used for V ₅₀	Shot	Comments
(ft/s)	(m/s)	(deg)	(deg)	(PP/CP)	(Yes/No)	Number	
2992	912	-0.75	0.50	PP	Yes	14160	
2960	902	0.00	0.50	PP	No	14161	
2958	902	0.00	0.75	PP	No	14162	
2919	890	-0.75	0.25	PP	No	14163	
2982	909	0.50	0.75	PP	Yes	14164	
2996	913	-0.25	0.25	PP	Yes	14165	
3146	959	0.00	0.50	CP	No	14166	
3011	918	-3.25	5.75	CP	Yes	14167	6.6 gamma but complete
3058	932	-0.25	0.50	CP	Yes	14168	
3090	942	0.75	-0.25	CP	No	14169	
3031	924	-0.25	0.50	CP	Yes	14170	

20-mm FSP

Target:	6055-T651			Date:	3/28/2013		
Plate Number:	521-822			Location:	EF 110E		
Thickness, in:	0.991						
Thickness, mm:	25.17						
Hardness, BHN:	116						
Obliquity:	0°						
Projectile:	20-mm FSP						
Velocity Measurement:	Xray						
	V ₅₀ : 1449 ft/s				Number of Shots: 6		
	Std Dev: 26 ft/s				Spread: 67 ft/s		
	ZMR: 32 ft/s						
Striking Velocity		Pitch	Yaw	Result	Used for V ₅₀	Shot	Comments
(ft/s)	(m/s)	(deg)	(deg)	(PP/CP)	(Yes/No)	Number	
1640	500	0.00	0.25	CP	No	1962	
1428	435	-0.25	-1.25	PP	Yes	1963	
1477	450	0.00	-2.50	PP	Yes	1964	
1496	456	-0.25	-0.25	CP	No	1965	
1495	456	-1.00	-0.75	CP	No	1966	
1460	445	0.00	-1.75	CP	Yes	1967	
1473	449	-0.50	-1.25	CP	Yes	1968	
1445	440	0.00	-0.50	CP	Yes	1969	
1410	430	-0.75	0.25	PP	Yes	1970	

Target:	6055-T651			Date:	4/1/2013		
Plate Number:	521-832			Location:	EF 110E		
Thickness, in:	1.002						
Thickness, mm:	25.45						
Hardness, BHN:	114						
Obliquity:	0°						
Projectile:	20-mm FSP						
Velocity Measurement:	Xray						
V₅₀: 1372 ft/s				Number of Shots: 4			
Std Dev: 16 ft/s				Spread: 37 ft/s			
ZMR: N/A							
Striking Velocity		Pitch	Yaw	Result	Used for V₅₀	Shot	Comments
(ft/s)	(m/s)	(deg)	(deg)	(PP/CP)	(Yes/No)	Number	
1458	444	0.00	-0.50	CP	No	1971	
1388	423	-0.50	0.25	CP	Yes	1972	
1366	416	-0.50	-0.75	PP	Yes	1973	
1381	421	0.25	-0.50	CP	Yes	1974	
1351	412	0.25	1.00	PP	Yes	1975	

Target:	6055-T651			Date:	4/1/2013		
Plate Number:	521-842			Location:	EF 110E		
Thickness, in:	1.000						
Thickness, mm:	25.40						
Hardness, BHN:	121						
Obliquity:	0°						
Projectile:	20-mm FSP						
Velocity Measurement:	Xray						
V ₅₀ : 1384 ft/s					Number of Shots: 4		
Std Dev: 17 ft/s					Spread: 39 ft/s		
ZMR: N/A							
Striking Velocity		Pitch	Yaw	Result	Used for V ₅₀	Shot	Comments
(ft/s)	(m/s)	(deg)	(deg)	(PP/CP)	(Yes/No)	Number	
1363	415	0.25	0.50	PP	Yes	1976	
1391	424	0.00	0.00	PP	Yes	1977	
1379	420	-0.50	-0.50	CP	Yes	1978	
1402	427	-0.50	-2.00	CP	Yes	1979	

Target:	6055-T651			Date:	4/4/2013		
Plate Number:	521-871			Location:	EF 110E		
Thickness, in:	1.493						
Thickness, mm:	37.92						
Hardness, BHN:	112						
Obliquity:	0°						
Projectile:	20-mm FSP						
Velocity Measurement:	Xray						
V ₅₀ : 2661 ft/s					Number of Shots: 4		
Std Dev: 26 ft/s					Spread: 60 ft/s		
ZMR: N/A							
Striking Velocity		Pitch	Yaw	Result	Used for V ₅₀	Shot	Comments
(ft/s)	(m/s)	(deg)	(deg)	(PP/CP)	(Yes/No)	Number	
2698	822	-0.50	1.25	CP	Yes	1990	
2630	802	0.00	0.25	PP	No	1991	
2638	804	-0.50	0.75	PP	Yes	1992	
2657	810	0.00	0.00	CP	Yes	1993	
2649	807	0.25	0.25	PP	Yes	1994	

Target:	6055-T651			Date:	4/3/2013		
Plate Number:	521-881			Location:	EF 110E		
Thickness, in:	1.497						
Thickness, mm:	38.02						
Hardness, BHN:	121						
Obliquity:	0°						
Projectile:	20-mm FSP						
Velocity Measurement:	Xray						
V ₅₀ : 2681 ft/s					Number of Shots: 4		
Std Dev: 12 ft/s					Spread: 29 ft/s		
ZMR: N/A							
Striking Velocity		Pitch	Yaw	Result	Used for V ₅₀ (Yes/No)	Shot Number	Comments
(ft/s)	(m/s)	(deg)	(deg)	(PP/CP)			
3029	923	0.25	0.25	CP	No	1980	
2981	909	-0.25	0.00	CP	No	1981	
2907	886	0.00	0.25	CP	No	1982	
2734	833	-0.50	1.25	CP	No	1983	
2611	796	-0.25	0.50	PP	No	1984	
2668	813	0.00	0.00	PP	Yes	1985	
2680	817	-0.75	1.00	CP	Yes	1986	
2679	817	-0.25	1.75	PP	Yes	1987	
2663	812	-0.25	-1.50	PP	No	1988	
2697	822	0.00	0.25	CP	Yes	1989	

Target:	6055-T651			Date:	4/10/2013		
Plate Number:	521-882			Location:	EF 110E		
Thickness, in:	1.493						
Thickness, mm:	37.92						
Hardness, BHN:	112						
Obliquity:	0°						
Projectile:	20-mm FSP						
Velocity Measurement:	Xray						
	V₅₀: 2565 ft/s				Number of Shots: 6		
	Std Dev: 24 ft/s				Spread: 65 ft/s		
	ZMR: 31 ft/s						
Striking Velocity		Pitch	Yaw	Result	Used for V ₅₀ (Yes/No)	Shot Number	Comments
(ft/s)	(m/s)	(deg)	(deg)	(PP/CP)			
2637	804	-0.75	0.75	CP	No	1995	
2585	788	0.00	-0.25	PP	Yes	1996	
2599	792	-0.50	0.00	CP	No	1997	
2610	795	-0.25	1.00	CP	No	1998	
2588	789	0.00	-0.50	CP	Yes	1999	
2593	790	-0.75	1.00	CP	No	2000	
2602	793	-1.25	0.75	CP	No	2001	
2568	783	-0.50	-0.25	CP	Yes	2002	
2554	778	0.00	0.00	CP	Yes	2003	
2523	769	0.00	0.00	PP	Yes	2004	
2571	784	-0.50	0.00	PP	Yes	14430	

Target:	6055-T651			Date:	10/30/2013		
Plate Number:	521-892			Location:	EF 110G		
Thickness, in:	1.500						
Thickness, mm:	38.10						
Hardness, BHN:	112						
Obliquity:	0°						
Projectile:	20-mm FSP						
Velocity Measurement:	Xray						
V ₅₀ :		2432 ft/s		Number of Shots:		4	
Std Dev:		25 ft/s		Spread:		54 ft/s	
ZMR:		9 ft/s					
Striking Velocity		Pitch	Yaw	Result	Used for V ₅₀	Shot	Comments
(ft/s)	(m/s)	(deg)	(deg)	(PP/CP)	(Yes/No)	Number	
2716	828	0.00	0.00	CP	No	14676	
2655	809	0.00	0.00	CP	No	14677	
2553	778	-0.25	0.00	CP	No	14678	
2571	784	0.00	-0.50	CP	No	14679	
2496	761	-0.50	-0.50	CP	No	14680	
2372	723	-0.25	-0.25	PP	No	14681	
2414	736	-0.50	0.00	CP	Yes	14682	
2423	738	0.00	-0.25	PP	Yes	14683	
2422	738	0.50	-0.25	PP	Yes	14684	
2468	752	0.00	-0.50	CP	Yes	14685	

Target:	6055-T651			Date:	4/25/2013		
Plate Number:	521-901			Location:	EF 110G		
Thickness, in:	1.997						
Thickness, mm:	50.72						
Hardness, BHN:	101						
Obliquity:	0°						
Projectile:	20-mm FSP						
Velocity Measurement:	Xray						
V₅₀: 3985 ft/s					Number of Shots: 6		
Std Dev: 30 ft/s					Spread: 78 ft/s		
ZMR: N/A							
Striking Velocity		Pitch	Yaw	Result	Used for V₅₀	Shot	Comments
(ft/s)	(m/s)	(deg)	(deg)	(PP/CP)	(Yes/No)	Number	
3935	1199	0.00	-0.25	PP	Yes	14417	
4006	1221	0.25	0.25	CP	Yes	14418	
3979	1213	0.25	-0.50	PP	Yes	14419	
3969	1210	-0.25	0.00	PP	Yes	14420	
4010	1222	0.25	-0.50	CP	Yes	14421	
4013	1223	-0.25	0.25	CP	Yes	14422	

Target:	6055-T651			Date:	10/24/2013		
Plate Number:	521-902			Location:	EF 110G		
Thickness, in:	1.984						
Thickness, mm:	50.39						
Hardness, BHN:	107						
Obliquity:	0°						
Projectile:	20-mm FSP						
Velocity Measurement:	Xray						
V ₅₀ : 3935 ft/s					Number of Shots: 4		
Std Dev: 31 ft/s					Spread: 60 ft/s		
ZMR: 48 ft/s							
Striking Velocity		Pitch	Yaw	Result	Used for V ₅₀	Shot	Comments
(ft/s)	(m/s)	(deg)	(deg)	(PP/CP)	(Yes/No)	Number	
3962	1208	0.00	-0.25	PP	Yes	14653	
4001	1219	-0.25	0.25	CP	No	14654	
3960	1207	0.00	0.50	CP	Yes	14655	
3902	1189	0.00	-0.50	PP	Yes	14656	
3914	1193	-0.75	0.75	CP	Yes	14657	

Target:	6055-T651			Date:	4/22/2013		
Plate Number:	521-911			Location:	EF 110G		
Thickness, in:	1.999						
Thickness, mm:	50.77						
Hardness, BHN:	107						
Obliquity:	0°						
Projectile:	20-mm FSP						
Velocity Measurement:	Xray						
V₅₀: 3943 ft/s					Number of Shots: 4		
Std Dev: 24 ft/s					Spread: 57 ft/s		
ZMR: N/A							
Striking Velocity		Pitch	Yaw	Result	Used for V₅₀	Shot	Comments
(ft/s)	(m/s)	(deg)	(deg)	(PP/CP)	(Yes/No)	Number	
3844	1172	0.25	0.50	PP	No	14402	
3883	1183	0.25	0.00	PP	No	14403	
3914	1193	-0.50	-0.25	PP	Yes	14404	
3953	1205	-0.25	-1.00	CP	Yes	14405	
3935	1199	0.00	-0.25	PP	Yes	14406	
3971	1210	-0.25	0.75	CP	Yes	14407	

Target:	6055-T651			Date:	4/18/2013		
Plate Number:	521-921			Location:	EF 110G		
Thickness, in:	2.004						
Thickness, mm:	50.90						
Hardness, BHN:	107						
Obliquity:	0°						
Projectile:	20-mm FSP						
Velocity Measurement:	Xray						
V ₅₀ : 3836 ft/s					Number of Shots: 4		
Std Dev: 16 ft/s					Spread: 39 ft/s		
ZMR: 2 ft/s							
Striking Velocity		Pitch	Yaw	Result	Used for V ₅₀	Shot	Comments
(ft/s)	(m/s)	(deg)	(deg)	(PP/CP)	(Yes/No)	Number	
3814	1162	-0.25	-0.25	PP	Yes	14398	
3840	1170	0.00	0.00	PP	Yes	14399	
3853	1174	0.00	0.25	CP	Yes	14400	
3838	1170	0.00	0.00	CP	Yes	14401	

INTENTIONALLY LEFT BLANK.

Appendix B. Additional Ballistic Test Data

This appendix appears in its original form, without editorial change.

The following tables list data collected by ATC.⁷

0.30 cal. APM2, 30° Obliquity Ballistic Performance

Plate ID	Nominal Thickness		Actual Thickness		Areal Density		Ballistic Limit		Standard Deviation	
	mm	in	mm	in	kg/m ²	psf	m/s	fps	m/s	fps
521-802	19.05	0.75	19.05	0.750	51.67	10.58	592	1942	4	13
521-812	19.05	0.75	19.02	0.749	51.60	10.57	576	1889	7	24

0.30 cal. APM2, 0° Obliquity Ballistic Performance

Plate ID	Nominal Thickness		Actual Thickness		Areal Density		Ballistic Limit		Standard Deviation	
	mm	in	mm	in	kg/m ²	psf	m/s	fps	m/s	fps
521-801	19.05	0.75	19.02	0.749	51.60	10.57	543	1780	9	29
521-811	19.05	0.75	19.05	0.750	51.67	10.58	532	1744	12	41
521-821	25.40	1.00	25.60	1.008	69.44	14.22	616	2022	8	26
521-822	25.40	1.00	25.60	1.008	69.44	14.22	603	1977	10	34
521-831	25.40	1.00	25.40	1.000	68.89	14.11	637	2089	3	11
521-841	25.40	1.00	25.53	1.005	69.24	14.18	628	2062	5	18
521-842	25.40	1.00	25.65	1.010	69.58	14.25	622	2042	10	32
521-852	31.75	1.25	31.50	1.240	85.42	17.50	694	2278	8	26
521-861	31.75	1.25	31.75	1.250	86.11	17.64	717	2354	7	22
521-872	38.10	1.50	37.72	1.485	102.30	20.95	785	2577	6	19
521-882	38.10	1.50	37.85	1.490	102.65	21.02	802	2630	5	18
521-892	38.10	1.50	37.85	1.490	102.65	21.02	796	2612	10	33

0.50 cal. APM2, 0° Obliquity Ballistic Performance

Plate ID	Nominal Thickness		Actual Thickness		Areal Density		Ballistic Limit		Standard Deviation	
	mm	in	mm	in	kg/m ²	psf	m/s	fps	m/s	fps
521-801	19.05	0.75	19.02	0.749	51.60	10.57	420	1377	8	25
521-811	19.05	0.75	19.05	0.750	51.67	10.58	418	1373	8	25
521-901	50.80	2.00	49.78	1.960	135.03	27.66	681	2234	8	26
521-911	50.80	2.00	50.88	2.003	137.99	28.26	697	2286	7	24
521-921	50.80	2.00	51.05	2.010	138.47	28.36	699	2294	8	25
521-931	57.15	2.25	56.90	2.240	154.32	31.61	738	2423	8	27
521-941	63.50	2.50	63.32	2.493	171.74	35.18	785	2574	8	26
521-942	63.50	2.50	63.37	2.495	171.88	35.20	798	2619	5	16
521-951	76.20	3.00	76.28	3.003	206.88	42.37	902	2961	4	13

0.50 cal. FSP, 0° Obliquity Ballistic Performance

Plate ID	Nominal Thickness		Actual Thickness		Areal Density		Ballistic Limit		Standard Deviation	
	mm	in	mm	in	kg/m ²	psf	m/s	fps	m/s	fps
521-771	22.23	0.88	22.23	0.875	60.28	12.35	765	2509	7	23
521-802	19.05	0.75	19.15	0.754	51.94	10.64	563	1848	8	25
521-812	19.05	0.75	19.15	0.754	51.94	10.64	573	1879	6	21
521-821	25.40	1.00	25.60	1.008	69.44	14.22	941	3086	8	26
521-822	25.40	1.00	25.04	0.986	67.93	13.91	911	2989	9	29
521-831	25.40	1.00	25.40	1.000	68.89	14.11	917	3008	4	14
521-832	25.40	1.00	25.40	1.000	68.89	14.11	922	3026	5	18
521-841	25.40	1.00	25.53	1.005	69.24	14.18	934	3066	10	32
521-842	25.40	1.00	25.17	0.991	68.27	13.98	904	2966	6	20

20 mm FSP, 0° Obliquity Ballistic Performance

Plate ID	Nominal Thickness		Actual Thickness		Areal Density		Ballistic Limit		Standard Deviation	
	mm	in	mm	in	kg/m ²	psf	m/s	fps	m/s	fps
521-821	25.40	1.00	25.60	1.008	69.44	14.22	436	1431	8	25
521-822	25.40	1.00	25.60	1.008	69.44	14.22	439	1440	9	30
521-831	25.40	1.00	25.40	1.000	68.89	14.11	426	1397	6	21
521-832	25.40	1.00	25.81	1.016	69.99	14.34	431	1414	7	22
521-841	25.40	1.00	25.53	1.005	69.24	14.18	414	1358	6	19
521-842	25.40	1.00	25.65	1.010	69.58	14.25	407	1336	7	23
521-852	31.75	1.25	31.50	1.240	85.42	17.50	578	1898	8	26
521-861	31.75	1.25	31.75	1.250	86.11	17.64	574	1882	7	23
521-872	38.10	1.50	37.72	1.485	102.30	20.95	799	2620	7	24
521-882	38.10	1.50	37.85	1.490	102.65	21.02	787	2583	10	33
521-892	38.10	1.50	37.85	1.490	102.65	21.02	758	2487	9	28

INTENTIONALLY LEFT BLANK.

List of Symbols, Abbreviations, and Acronyms

AA	aluminum alloy
AP	armor-piercing
ARL	US Army Research Laboratory
ATC	Aberdeen Test Center
CP	complete penetration
DAC	Defense Acquisition Challenge
EF	experimental facility
FSP	fragment-simulating projectile
IR	infrared
OSD	Office of the Secretary of Defense
PP	partial penetration

1 (PDF)	DEFENSE TECHNICAL INFORMATION CTR DTIC OCA	M ROGERS D TZELEPIS
2 (PDF)	DIRECTOR US ARMY RESEARCH LAB RDRL CIO LL IMAL HRA MAIL & RECORDS MGMT	1 (PDF) PEO GCS D SPENSER
1 (PDF)	GOVT PRINTG OFC A MALHOTRA	1 (PDF) OSHKOSH DEFENSE M RICHMOND
3 (PDF)	ALCOA R KANE D MOOY J CARATELLI	2 (PDF) RDECOM W EVERETT R IMPERIALE
1 (PDF)	ALERIS L KRAMER	2 (PDF) OFC OF THE DPTY ASSIST SECY OF DEFNS FOR EMERGING CAPABILITY & PROTOTYPING E WYATT R THOMPSON
3 (PDF)	CONSTELLIUM P KOBE M NIEDZINSKI M PHILBROOK	1 (PDF) US NAVY RSRCH LAB J MORAN
1 (PDF)	KAISER J SCHEURING	1 (PDF) NSWC CARDEROCK DIV E TRUEMAN
1 (PDF)	NSWC R PETERSON	2 (PDF) DOD CORROSION POLICY AND OVERSIGHT OFC R HAYS D DUNMIRE
4 (PDF)	BAE SYSTEMS J DORSCH B KARIYA D SCHADE M MIDDIONE	1 (PDF) OFC OF THE DIR DEFNS RSRCH AND ENGRG L SLOTER
1 (PDF)	GDLS W HERMAN	1 (PDF) USMC CORROSION PREVENTION AND CONTROL A SHEETZ
1 (PDF)	WA GOOCH CONSULTING INC W GOOCH	54 (PDF) DIR USARL RDRL WML H L MAGNESS T EHLERS J NEWILL RDRL WMM R DOWDING H MAUPIN RDRL WMM B B CHEESEMAN RDRL WMM C B PLACZANKIS RDRL WMM D R SQUILLACIOTI R CARTER M KORNECKI
2 (PDF)	ATEC K BEAVERS J WHITE	
8 (PDF)	TARDEC A SOCKS J PEREZ F RICKERT C FILAR R TRANCYGIER M MCDONNEL	

RDRL WMM F
K DOHERTY
J CHINELLA
E KLIER
S GREENDAHL
RDRL WMP D
J RUNYEON
D KLEPONIS
D PETTY
M KEELE
RDRL WMP E
P BARTKOWSKI
S BARTUS
W BRYANT
M BURKINS
D CHURN
P DAVIS
B DAWSON
A DUCOTE
K DUDECK
D GALLARDY
W GOOCH
D HACKBARTH
D HANDSHOE
J HOGAN
D HORNBAKER
E HORWATH
J HOUSKAMP
T JONES
M KLUSEWITZ
C KRAUTHAUSER
J LE
D LITTLE
K LLEWELLYN
K MCNAB
J MONTGOMERY
T NELLENBACH
T O'CONNOR
P PEREGINO
T QUIGG
B SANDERSON
D SCHALL
D SHOWALTER
N STURGILL
P SWOBODA
C WALTER
RDRL WMP F
N GNIAZDOWSKI

INTENTIONALLY LEFT BLANK.