

Low Hydrogen Embrittlement Alkaline Zinc-Nickel Plating for High Strength Steels

By:
Stephen Gaydos
Boeing – St. Louis
for
JCAT Program Review
26 January 2006



Report Documentation Page

Form Approved
OMB No. 0704-0188

Public reporting burden for the collection of information is estimated to average 1 hour per response, including the time for reviewing instructions, searching existing data sources, gathering and maintaining the data needed, and completing and reviewing the collection of information. Send comments regarding this burden estimate or any other aspect of this collection of information, including suggestions for reducing this burden, to Washington Headquarters Services, Directorate for Information Operations and Reports, 1215 Jefferson Davis Highway, Suite 1204, Arlington VA 22202-4302. Respondents should be aware that notwithstanding any other provision of law, no person shall be subject to a penalty for failing to comply with a collection of information if it does not display a currently valid OMB control number.

1. REPORT DATE 26 JAN 2006		2. REPORT TYPE		3. DATES COVERED 00-00-2006 to 00-00-2006	
4. TITLE AND SUBTITLE Low Hydrogen Embrittlement Alkaline Zinc-Nickel Plating for High Strength Steels				5a. CONTRACT NUMBER	
				5b. GRANT NUMBER	
				5c. PROGRAM ELEMENT NUMBER	
6. AUTHOR(S)				5d. PROJECT NUMBER	
				5e. TASK NUMBER	
				5f. WORK UNIT NUMBER	
7. PERFORMING ORGANIZATION NAME(S) AND ADDRESS(ES) Boeing, P. O. Box 516, St. Louis, MO, 63166				8. PERFORMING ORGANIZATION REPORT NUMBER	
9. SPONSORING/MONITORING AGENCY NAME(S) AND ADDRESS(ES)				10. SPONSOR/MONITOR'S ACRONYM(S)	
				11. SPONSOR/MONITOR'S REPORT NUMBER(S)	
12. DISTRIBUTION/AVAILABILITY STATEMENT Approved for public release; distribution unlimited					
13. SUPPLEMENTARY NOTES 26th Replacement of Hard Chrome and Cadmium Plating Program Review Meeting, January 24-26, 2006, San Diego, CA. Sponsored by SERDP/ESTCP.					
14. ABSTRACT					
15. SUBJECT TERMS					
16. SECURITY CLASSIFICATION OF:			17. LIMITATION OF ABSTRACT	18. NUMBER OF PAGES	19a. NAME OF RESPONSIBLE PERSON
a. REPORT	b. ABSTRACT	c. THIS PAGE			
unclassified	unclassified	unclassified	Same as Report (SAR)	18	

LHE Cadmium Plating

- Used Extensively on High Strength Steel Aerospace Parts
 - Process is Non-Embrittling
 - Uses a Modified Bright Cadmium Plating Process
 - Plate at High Current Density, No Brighteners and Higher NaCN/CdO Ratio to form a Dull (Porous) Plating
 - Hydrogen Baked Out at 375° F for 24 Hours
 - » Verified by ASTM F 519 Sustained Load Test or ASTM F 326 Electronic Measurement
 - HS Steel with LHE Cadmium Appears to Have Good Resistance to Hydrogen Re-Embrittlement
 - No Concerns for Hydrogen Embrittlement When Exposed to Maintenance Fluids
 - Water and Salt Water Exposure Can Be Challenging

Zinc-Nickel Plating

- Zn-Ni Plating Appears to be Good Replacement for LHE Cadmium
 - Boeing Acid Zn-Ni Process is Non-Embrittling
 - Passes ASTM F 519 Sustained Load Tests - BUT
 - Plating Process is Not Operator Friendly
 - ASTM F 346 Electronic Measurement (or Similar Method) Cannot Be Used
 - Previously Tested Alkaline Zn-Ni Processes Were Sometimes Embrittling
 - Plating Process is Operator Friendly - BUT
 - Needed a Nickel Strike to Pass ASTM F 519 on a Consistent Basis

LHE Alkaline Zn-Ni Plating

- C-17 Pollution Prevention Project Started in October 2003
 - Develop an LHE Version of Alkaline Zn-Ni Plating
 - Look at Different Zn-Ni Formulas with Nickel Composition of 5 to 15%
 - Remove Brighteners and Other Additives to Make Plating Dull (Porous)
 - Vary the Current Density

LHE Alkaline Zn-Ni Plating

- Boeing Teamed with Dipsol of America to Develop an LHE Alkaline Zn-Ni Plating
 - Dipsol Produces IZ-260 Alkaline Zn-Ni Plating
 - Used by Several DoD and Aerospace Subcontractors
 - IZ-260 Has 5 to 8% Nickel – Balance Zinc
 - Dedicated R&D Laboratory in Tokyo, Japan
 - Excellent Technical Support at Laboratory in Livonia, MI
 - Dipsol Understands Zn-Ni Plating Chemistry

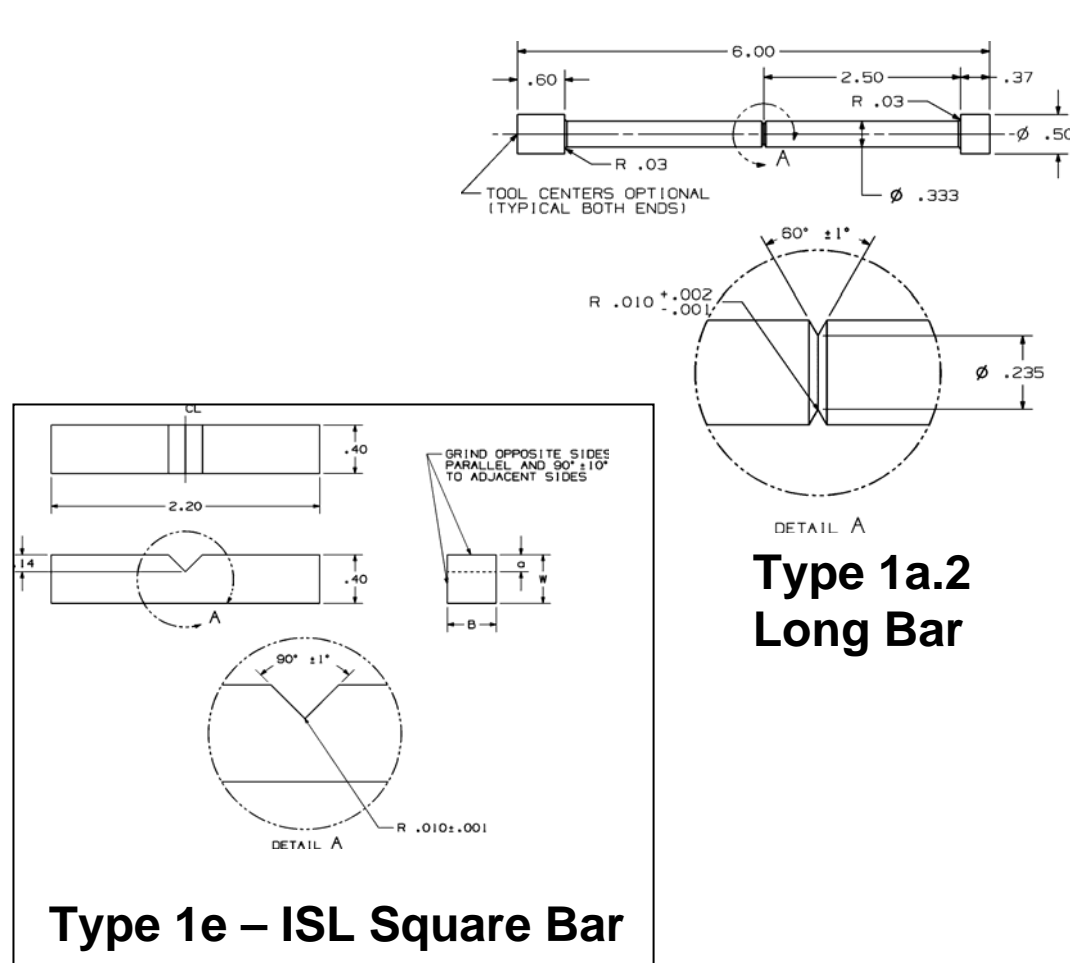
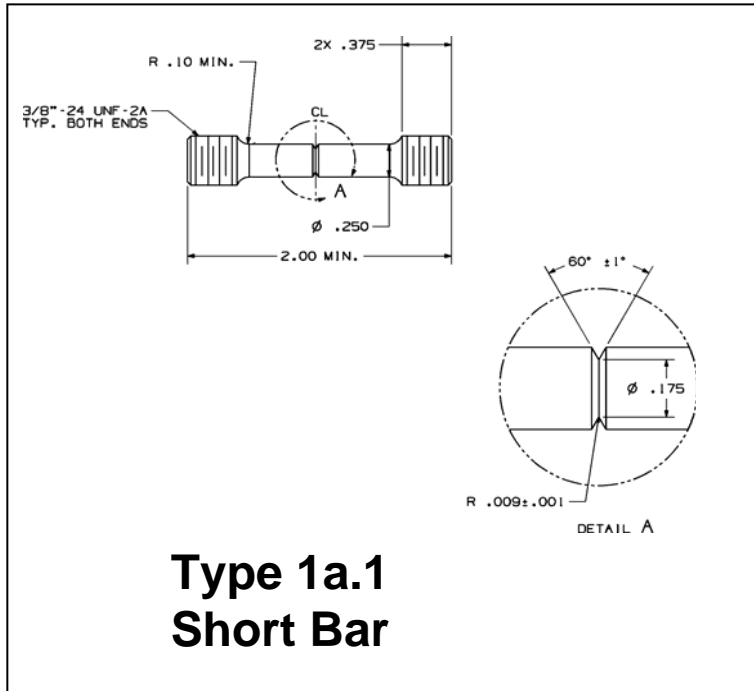
Phase I Testing

- Evaluate 7 LHE Alkaline Zn-Ni Formulas Proposed by Dipsol
 - #1 – Standard IZ-260 with Brighteners
 - #2 – Standard IZ-260 with No Brighteners
 - #3 – Aged IZ-260 Solution
 - #4 – IZ-260 with Double IZ-B Additive
 - #5 – Standard IZ-260 Plated at Low Current Density
 - #6 – IZ-260 Applied Over Nickel Strike
 - #7 – High Nickel Content Version of IZ-260 That Contains 12 to 15% Nickel

Phase I – Screening Tests

- Looked at 7 LHE Alkaline Zn-Ni Formulas
 - Conducted 3 Sets of Hydrogen Embrittlement Tests
 - Type 1a.1 With Acid Etch Prior to Plating
 - Type 1a.2 and 1e With Acid Etch Prior to Plating and Baked or Not Baked After Plating
 - Type 1a.2 With No Acid Etch Prior to Plating
 - Perform Adhesion, Thickness and Corrosion Testing
 - Down Select to One LHE Alkaline Zn-Ni Formula for Phase II Testing

Hydrogen Embrittlement Test Specimens



Test Specimens Per ASTM F 519-05

Phase I - HE Test Results

	Test #1	Test #2	Test #2	Test #2	Test #3
LHE Zn-Ni Formula*	Type 1a.1 - SL	Type 1a.2 - SL	Type 1e - RSL	Type 1e - SL	Type 1a.2 - SL
	Acid Clean	Acid Clean	Acid Clean	Acid Clean	No Acid Clean
1	P,P,P	F,F,F	P	F	F,F,F
2	P,P,P	F,F,F	P	P	F,F,F
2 - NO BAKE	NO TEST	NO TEST	P	F	NO TEST
3	P,P,P	F,F,F	P	F	P,P,P
4	P,P,P	F,F,F	P	P	P,P,P
4 - NO BAKE	NO TEST	NO TEST	P	F	NO TEST
5	F,F,P	F,F,F	P	P	F,F,F
6	P,P,P	P,P,P	P	P	P,P,P
6 - NO BAKE	NO TEST	NO TEST	P	F	NO TEST
7	P,P,P	F,P,P	P	P	P,P,P
7 - NO BAKE	NO TEST	F,F,F	F	F	NO TEST

Notes: RSL = Rising Step Load (20/5/1 = 20 steps at 5% NFS per step and hold for 1 hour at each step)
 SL = Sustained Test Load (Hold at 75% NFS for 200 hours)
 Type 1a.2 and 1e plated 100%, Type 1a.1 had no plating on threaded ends

* LHE Zn-Ni Formulas	
1 - IZ 260 Standard Conditions (with 0.5% IZ 260S)	
2 - IZ 260 without IZ 260S	
3 - IZ 260 Aged Bath	
4 - IZ 260 with double IZ-B	
5 - IZ 260 at 1 A/dm ² (low current density)	
6 - IZ 260 over Nickel Strike	
7 - IZ 260 with High Nickel Content	



Phase I – Adhesion & Thickness

Specimen Type	1x4	1x4	1x4	1x4	4x6 - Unscribed	4x6 - Scribed	1x4
Formula # and Plating Type	% Ni by XRF ¹	Thickness by XRF ¹ (mils)	Thickness by Mag Induction ² (mils)	Thickness by Metallography ³ (mils)	Thickness by Mag Induction ² (mils)	Thickness by Mag Induction ² (mils)	Adhesion Test ⁴ Result
#1 - IZ-260 with 0.5% IZ-260S	8	0.49	0.35 - 0.39	0.27 - 0.32	0.5 - 0.7	0.44 - 0.50	Pass
#2 - IZ-260 with 0% IZ-260S	8.2	0.48	0.47 - 0.53	0.40 - 0.52	0.58 - 0.64	0.48 - 0.62	Pass
#3 - IZ-260 - Used / Aged Bath	7.3	0.61	0.29 - 0.33	0.29 - 0.31	0.31 - 0.43	0.40 - 0.46	Pass
#4 - IZ-260 with double IZ-B	6.4	0.50	0.36 - 0.40	0.37 - 0.40	0.44 - 0.56	0.43 - 0.57	Pass
#5 - IZ-260 plated at low current	7.3	0.82	0.52 - 0.56	0.42 - 0.48	0.47 - 0.65	0.46 - 0.54	Pass
#6 - IZ-260 with Nickel Strike	9	0.78	0.39 - 0.45	0.45 - 0.47	0.52 - 0.62	0.46 - 0.56	Pass
#7 - IZ-260 with High Ni Content	15.6	0.69	0.51 - 0.55	0.49 - 0.53	0.48 - 0.66	0.49 - 0.57	Pass
#8 - Cadmium (control)	-	-	-	-	-	0.25 - 0.31	-
Notes:							
1 - %Ni composition and thickness of zinc-nickel determined by x-ray fluorescence method at Dipsol of America.							
2 - Thickness measured with a DeFelsko gage using magnetic induction.							
3 - Thickness measured with a metallographic cross-section of the zinc-nickel plating.							
4 - Adhesion measured by doing a bend-to-break on 1x4 test strips.							



Phase I – Corrosion Test



#1 thru 7 are LHE Alkaline Zn-Ni Formulas

#8 - Cadmium

ASTM B 117 – 816 Hours Exposure

Phase II Testing

- Based on Phase I Test Results
 - Down Select to Formula #7 for Phase II Testing
 - Identified as LHE Zinc-Nickel Plus
- Phase II HE Testing
 - Hydrogen Embrittlement and Re-Embrittlement Testing with 1a.1 and 2a
 - Re-Embrittlement Test Specimens Exposed to Distilled Water and 3.5% Salt Water

Phase II – HE Test Results

Test Description	Specimen Type	ID No.	200 Hour Result (Pass/Fail)	ISL After 200 Hour Test (% NFS)
Set #1 - Plate Entire Specimen	1a.1	AQ3789	Pass	80
Set #1 - Plate Entire Specimen	1a.1	AQ5767	Pass	85
Set #1 - Plate Entire Specimen	1a.1	AQ3623	Pass	90
Set #1 - Plate Entire Specimen	1a.1	AQ3675	Pass	80
Set #2 - Plate at 3 Times Current Density	1a.1	AS1279	Pass	80
Set #2 - Plate at 3 Times Current Density	1a.1	AS1487	Pass	90
Set #2 - Plate at 3 Times Current Density	1a.1	AS1026	Pass	85
Set #2 - Plate at 3 Times Current Density	1a.1	AS1248	Pass	85
Set #3 - Plate with No Preplate Acid Activation	1a.1	AS1385	Pass	95
Set #3 - Plate with No Preplate Acid Activation	1a.1	AS1085	Pass	90
Set #3 - Plate with No Preplate Acid Activation	1a.1	AS1040	Pass	90
Set #3 - Plate with No Preplate Acid Activation	1a.1	AS1281	Pass	95
Set #4 - Plate with Preplate Acid Activation	1a.1	AS1264	Pass	90
Set #4 - Plate with Preplate Acid Activation	1a.1	AS1198	Pass	90
Set #4 - Plate with Preplate Acid Activation	1a.1	AS1421	Pass	90
Set #4 - Plate with Preplate Acid Activation	1a.1	AS1148	Pass	85
Set #5 - Plate with Preplate Acid Activation	2a	44911-12	Pass	-
Set #5 - Plate with Preplate Acid Activation	2a	44911-47	Pass	-
Set #5 - Plate with Preplate Acid Activation	2a	44911-54	Pass	-
Set #5 - Plate with Preplate Acid Activation	2a	44911-1	Pass	-

Hydrogen Embrittlement Results for LHE Zinc-Nickel Plus



Phase II – Re-Embrittlement Tests

Re-Embrittlement Test Fluid	Specimen Type	ID No.	150 Hour Result (Pass/Fail)
Distilled Water	1a.1	AS1224	Pass
Distilled Water	1a.1	AS1166	Pass
Distilled Water	1a.1	AS1368	Pass
Distilled Water	1a.1	AS1169	Pass
3.5% Salt (NaCl) Water	1a.1	AS1001	Pass
3.5% Salt (NaCl) Water	1a.1	AS1415	Pass
3.5% Salt (NaCl) Water	1a.1	AS1328	Pass
3.5% Salt (NaCl) Water	1a.1	AS1286	Pass
Distilled Water	2a	44911-42	Pass
Distilled Water	2a	44911-134	Pass
Distilled Water	2a	44911-41	Pass
Distilled Water	2a	44911-76	Pass
3.5% Salt (NaCl) Water	2a	44911-42	Pass*
3.5% Salt (NaCl) Water	2a	44911-134	Pass*
3.5% Salt (NaCl) Water	2a	44911-41	Pass*
3.5% Salt (NaCl) Water	2a	44911-76	Pass*

* 2a Test Specimens that passed the 150 hour distilled water test were used for the salt water test.

Hydrogen Re-Embrittlement Results for LHE Zinc-Nickel Plus

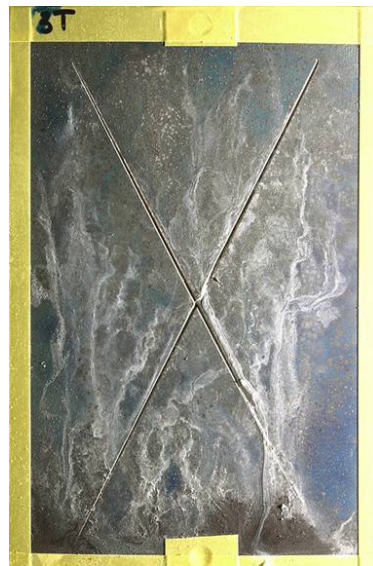


Phase II – Corrosion Tests

Bare Scribed LHE Zn-Ni Plus

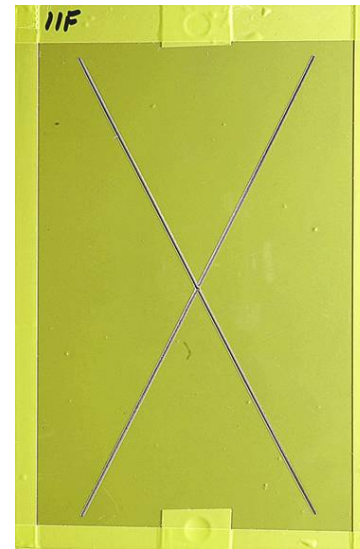


0 Hours

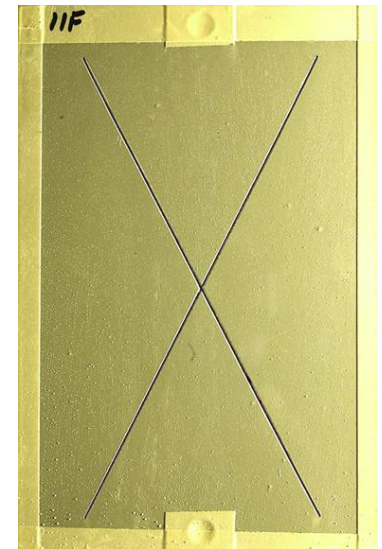


500 Hours

Painted* Scribed LHE Zn-Ni Plus



0 Hours



500 Hours

* MIL-PRF-23377

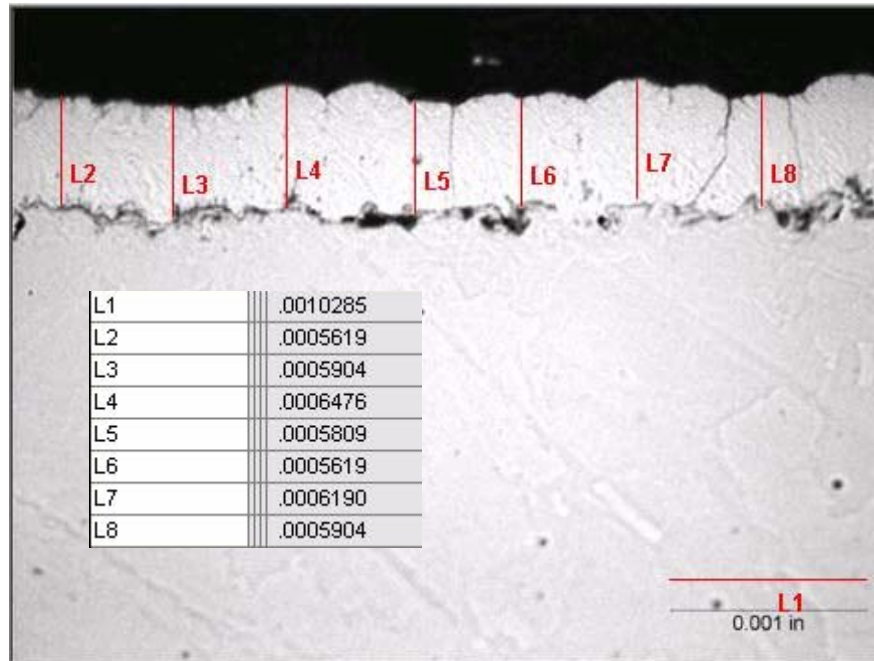
ASTM B117 Salt Spray Test Results

Phase II – Throwing Power

- Hull Cell Using 7.5 x 20 cm Test Panel
 - Zn-Ni Plated Along Entire Length of Panel
 - High Current Density End (14.8 A/dm²)
 - 0.6 mils and 15.9 % Ni
 - Low Current Density End (0.3 A/dm²)
 - 0.02 mils at 11.3 % Ni
- 60° Bent Cathode
 - Used 7.5 x 20 cm Hull Cell Test Panel
 - High Current Density End (0.5 cm from open end)
 - 1 to 1.2 mils and 17.2 % Ni
 - Low Current Density End (9.5 cm from open end)
 - 0.1 mils and 14.7 % Ni

Phase II – Thickness and Adhesion

- LHE Zn-Ni Plus Has Good Adhesion
 - Passes Bend-To-Break Tests
- Thickness Control is Very Good



Next Steps

- Install Plating Tank at Boeing – St. Louis with Dipsol LHE Zinc-Nickel Plus
 - Perform More Hydrogen Embrittlement Tests
 - Perform Fatigue Tests
 - Perform Lubricity Tests
 - Optimize Operating Parameters
 - Verify Operating Limits of Plating Bath
 - Plate Parts with Complex Geometries
 - Determine Need for Auxiliary Anodes and Special Tooling
 - Plate ID of Tubular Parts
- Qualify LHE Zinc-Nickel Plus for C-17 Program
 - Create DPS for LHE Zinc-Nickel Plus
 - Identify Process Controls
 - Hydrogen Embrittlement Test Methods
 - Select Repair Procedures