



A Multilevel Secure MapReduce Framework for Cross-Domain Information Sharing in the Cloud

Thuy D. Nguyen, Cynthia E. Irvine, Jean Khosalim
Department of Computer Science

**Ground System Architectures Workshop
March 18-21, 2013**

Report Documentation Page

Form Approved
OMB No. 0704-0188

Public reporting burden for the collection of information is estimated to average 1 hour per response, including the time for reviewing instructions, searching existing data sources, gathering and maintaining the data needed, and completing and reviewing the collection of information. Send comments regarding this burden estimate or any other aspect of this collection of information, including suggestions for reducing this burden, to Washington Headquarters Services, Directorate for Information Operations and Reports, 1215 Jefferson Davis Highway, Suite 1204, Arlington VA 22202-4302. Respondents should be aware that notwithstanding any other provision of law, no person shall be subject to a penalty for failing to comply with a collection of information if it does not display a currently valid OMB control number.

1. REPORT DATE MAR 2013	2. REPORT TYPE	3. DATES COVERED 00-00-2013 to 00-00-2013			
4. TITLE AND SUBTITLE A Multilevel Secure MapReduce Framework for Cross-Domain Information Sharing in the Cloud		5a. CONTRACT NUMBER			
		5b. GRANT NUMBER			
		5c. PROGRAM ELEMENT NUMBER			
6. AUTHOR(S)		5d. PROJECT NUMBER			
		5e. TASK NUMBER			
		5f. WORK UNIT NUMBER			
7. PERFORMING ORGANIZATION NAME(S) AND ADDRESS(ES) Naval Postgraduate School, Department of Computer Science, Center for Information Systems Security Studies and Research, Monterey, CA, 93943		8. PERFORMING ORGANIZATION REPORT NUMBER			
9. SPONSORING/MONITORING AGENCY NAME(S) AND ADDRESS(ES)		10. SPONSOR/MONITOR'S ACRONYM(S)			
		11. SPONSOR/MONITOR'S REPORT NUMBER(S)			
12. DISTRIBUTION/AVAILABILITY STATEMENT Approved for public release; distribution unlimited					
13. SUPPLEMENTARY NOTES Ground System Architectures Workshop (GSAW 2013), Los Angeles, California, 18-21 March 2013.					
14. ABSTRACT					
15. SUBJECT TERMS					
16. SECURITY CLASSIFICATION OF:			17. LIMITATION OF ABSTRACT Same as Report (SAR)	18. NUMBER OF PAGES 15	19a. NAME OF RESPONSIBLE PERSON
a. REPORT unclassified	b. ABSTRACT unclassified	c. THIS PAGE unclassified			



Introduction

- Motivation

- Develop a cross-domain MapReduce framework for a multilevel secure (MLS) cloud, allowing users to analyze data at different security classifications

- Topics

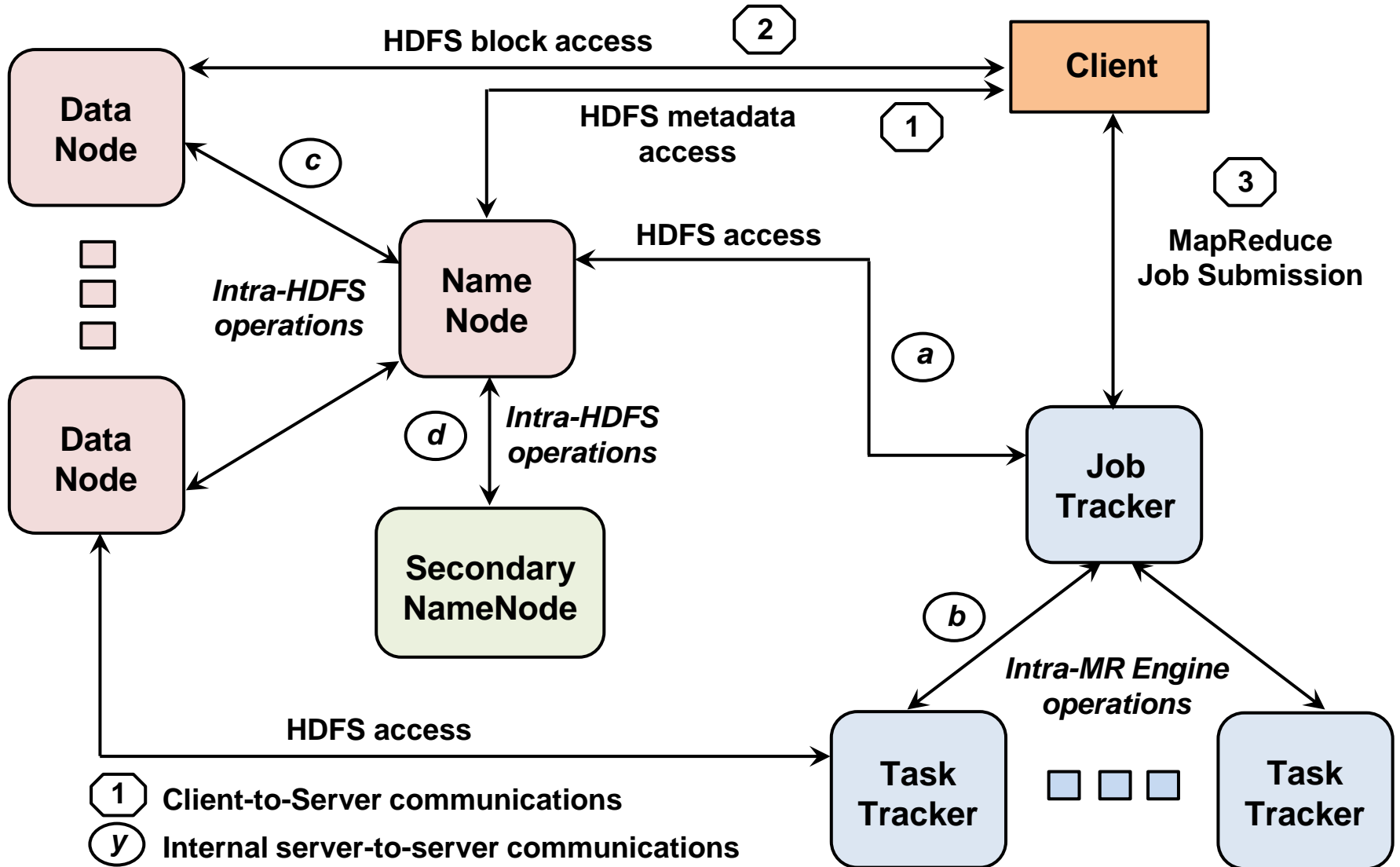
- Apache Hadoop framework
- MLS-aware Hadoop Distributed File System
 - Concept of operations
 - Requirements, design, implementation
- Future work and conclusion



Apache Hadoop

- Open source software framework for reliable, scalable, distributed computing
- Inspired by Google's MapReduce computational paradigm and Google File System (GFS)
- Two main subprojects:
 - Hadoop Distributed File System, Hadoop MapReduce
- Support distributed computing on massive data sets on clusters of commodity computers
- Common usage patterns
 - ETL (Extract → Transform → Load) replacement
 - Data analytics, machine learning
 - Parallel processing platforms (Map without Reduce)

Hadoop Architecture





MLS-Aware: A Definition

A component is considered MLS-aware if it executes without privileges in an MLS environment, and yet takes advantage of that environment to provide useful functionality.

Examples:

- Reading from resources labeled at the same or lower security levels
- Making access decisions based on the security level of the data
- Returning the security level of the data



Objective and Approach

- Objective
 - Extend Hadoop to provide a cross-domain read-down capability without requiring the Hadoop server components to be trustworthy
- Approach
 - Modify Hadoop to run on a trusted platform that enforces an MLS policy on local file system
 - Use Security Enhanced Linux (SELinux) for initial prototype
 - Modify HDFS to be MLS-aware
 - Multiple single-level HDFS instances – each is cognizant of HDFS namespaces at lower security levels
 - HDFS servers running at a security level can access file objects at lower levels as permitted by underlying trusted computing base (TCB)
 - No trusted processes outside TCB boundary

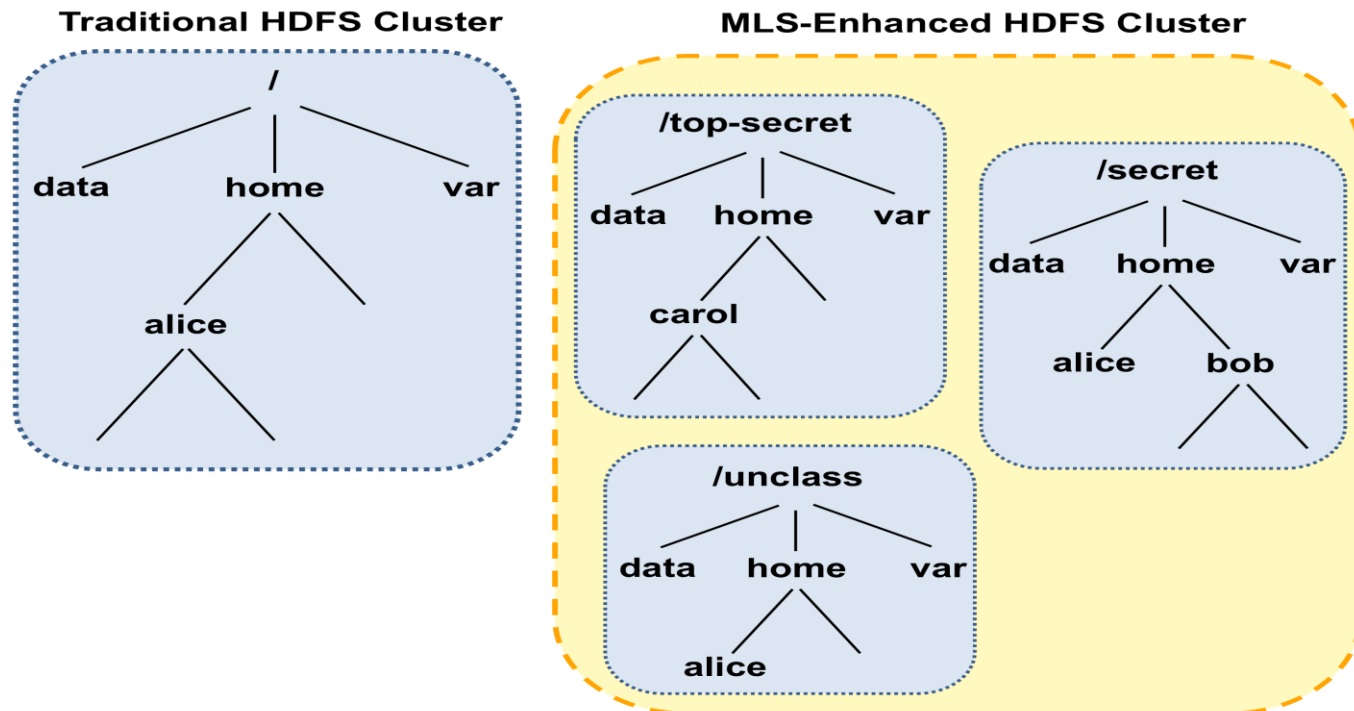


HDFS Concept of Operation

- User session level
 - Implicitly established by security level of receiving network interface and TCP/IP ports
- File access policy rules
 - A user can read and write file objects at user's session level
 - A user can read file objects if the user's session level dominates the level of the requested object
- File system abstraction
 - HDFS interface is similar to UNIX file system
 - Traditional Hadoop cluster: one file system
 - MLS-enhanced cluster: multiple file systems, one per security level

HDFS File Organization

- Root directory at a particular level is expressed as
 /*<user-defined security-level-indicator>*
- Security-level-indicator is administratively assigned to an SELinux sensitivity level
- Traditional root directory (/) is root at the user's session level





MLS-aware Hadoop Design

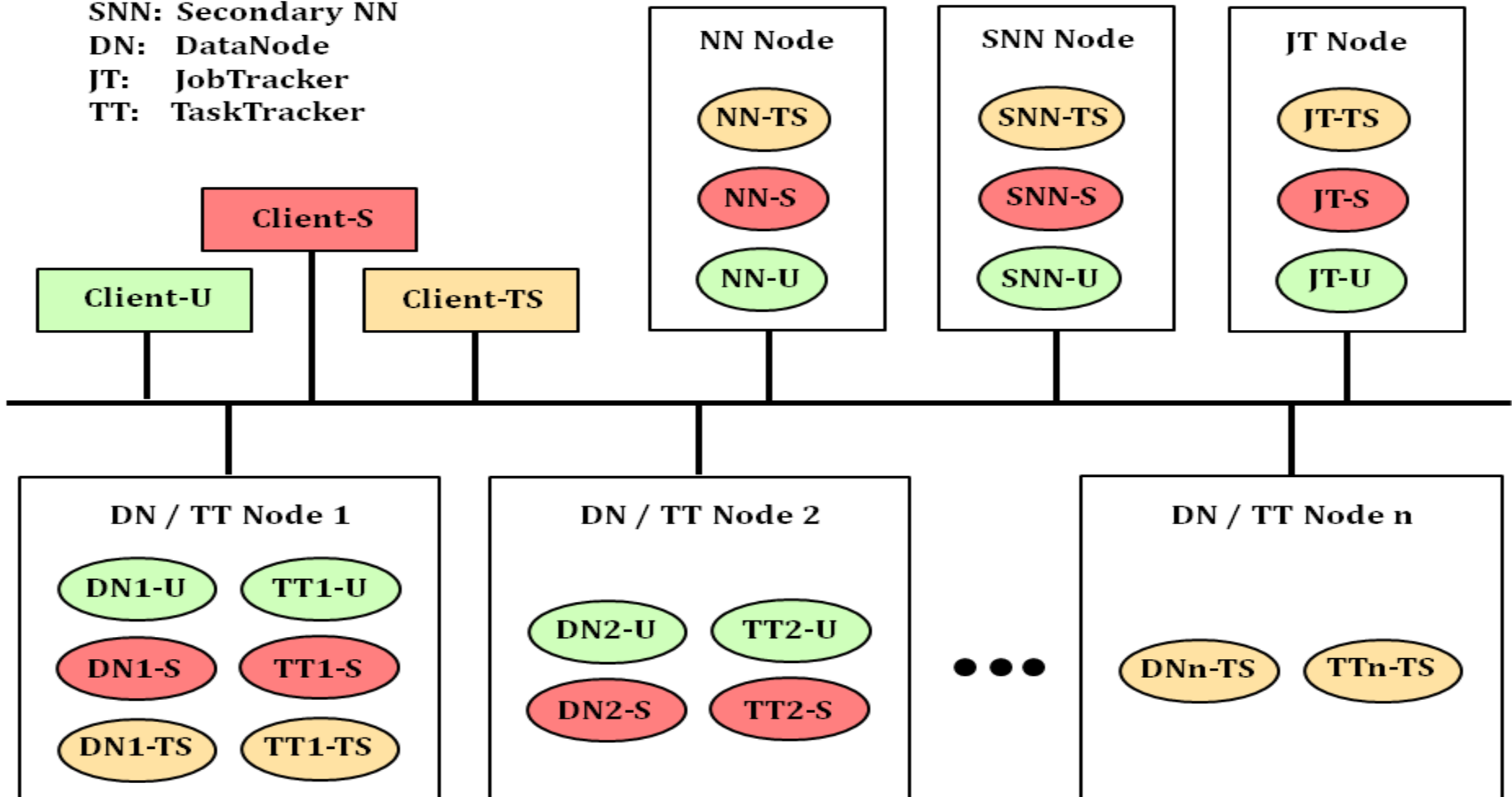
- Multiple single-level HDFS server instances co-locate on same physical node
- All NameNode instances run on same physical node
- DataNode instances are distributed across multiple physical nodes
 - *Authoritative DataNode* instance: owner of local files used to store HDFS blocks
 - *Surrogate DataNode* instance: handles read-down requests on behalf of an authoritative DataNode instance running at a lower level
- Configuration file defines allocation of authoritative and surrogate DataNode instances on different physical nodes
- Design does not impact MapReduce subsystem
 - JobTracker and TaskTracker only interact with NameNode and DataNode as HDFS clients



MLS-enhanced Hadoop Cluster

○ Process □ Physical node

NN: NameNode
SNN: Secondary NN
DN: DataNode
JT: JobTracker
TT: TaskTracker





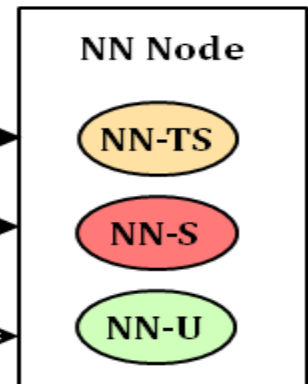
Cross-domain Read-down

- Client running at user's session level
 - Contact NameNode at same level to request a file at a lower level
- NameNode instance at session level
 - Obtain metadata of requested file and storage locations of associated blocks from NameNode instance running at lower security level
 - Direct client to contact surrogate DataNode instances that co-locate with the file's primary DataNode instances
- Surrogate DataNode instance at session level
 - Look up locations of local files used to store requested blocks
 - Read local files and return requested blocks
 - Security level of local files is lower than session level

Read-down Example

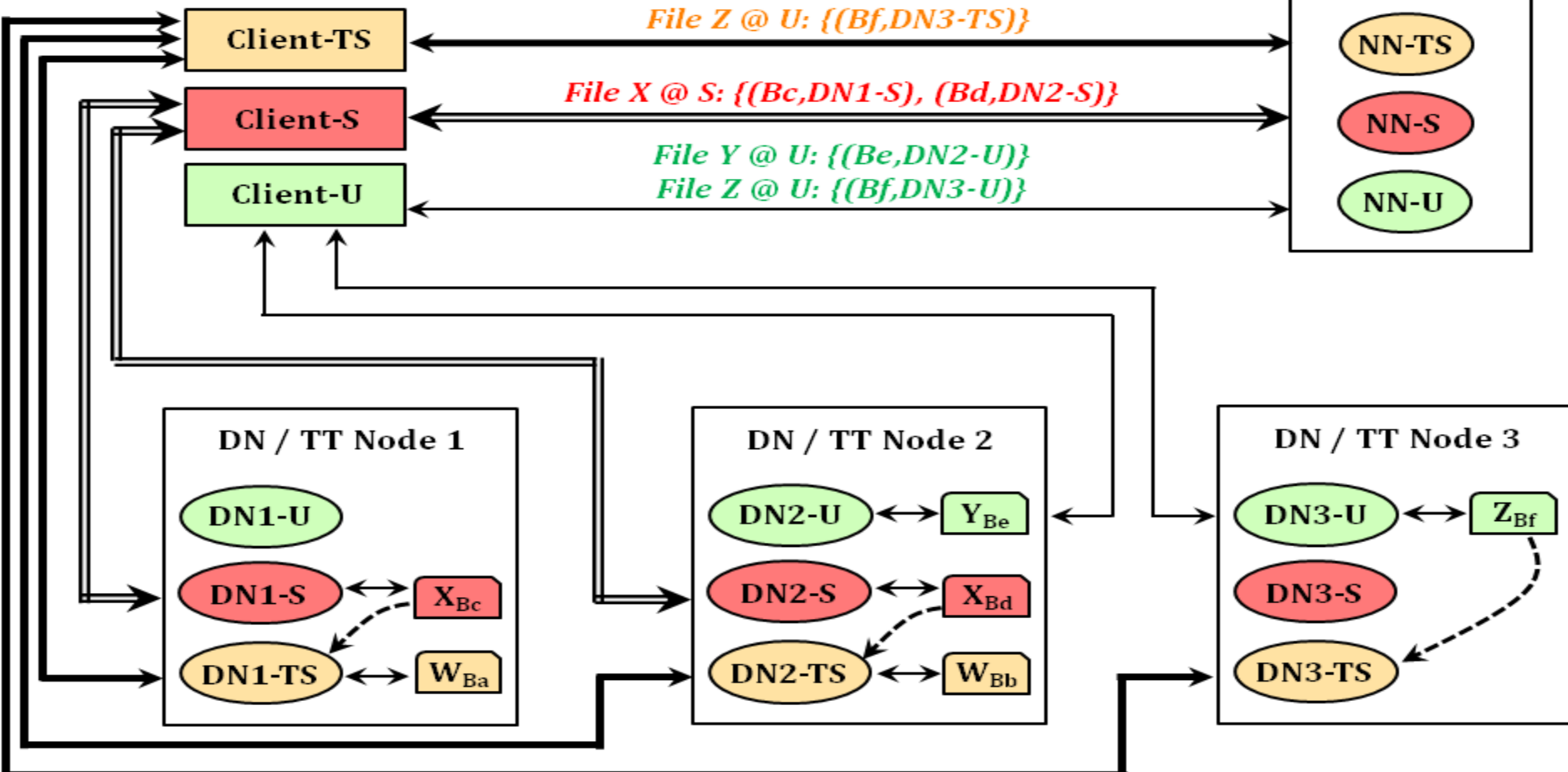
Bn: Block n

File W @ TS: {(Ba, DN1-TS), (Bb, DN2-TS)}
File X @ S: {(Bc, DN1-S), (Bd, DN2-S)}
File Z @ U: {(Bf, DN3-TS)}



File X @ S: {(Bc, DN1-S), (Bd, DN2-S)}

File Y @ U: {(Be, DN2-U)}
File Z @ U: {(Bf, DN3-U)}



TS operations
 S operations
 U operations

Read-down operations



Source Lines of Code (SLOC) Metric

- Use open source Count Lines of Code (CLOC) tool
 - Can calculate differences in blank, comment, and source lines
- Summary of code modification
 - Delta value is the sum of addition, removal, and modification of source lines
 - Overall change is less than 5%

	SLOC		Delta	Percentage Increase
	Original Hadoop	MLS-aware Hadoop		
NameNode (NN) only	14373	15974	1890	13.15%
DataNode (DN) only	6914	7399	692	10.01%
Misc (other than NN, DN)	68328	68890	732	1.07%
<i>Total HDFS related modules</i>	89615	92263	3314	3.70%



Future Work and Conclusions

- Future work
 - Adding read-down support to HDFS Federation
 - Implementing an external Cache Manager
 - Investigating Hadoop's use of Kerberos for establishing user sessions at different security levels
 - Performing benchmark testing with larger datasets
- Prototype is the first step towards developing a highly secure MapReduce platform
 - Does not introduce any trusted processes outside the pre-existing TCB boundary
 - Only affects HDFS servers



Contact

Cynthia E. Irvine, PhD, irvine@nps.edu
Thuy D. Nguyen, tdnguyen@nps.edu

Center for Information Systems Security Studies and Research
Department of Computer Science
Naval Postgraduate School, Monterey, CA 93943 U.S.A

<http://www.cisr.us>