

DEFENSE LOGISTICS AGENCY

AMERICA'S COMBAT LOGISTICS SUPPORT AGENCY

The logo of the Defense Logistics Agency (DLA) is centered in the background. It features a globe with a bald eagle with wings spread, perched on a shield with vertical stripes. A banner above the eagle reads "LOGISTICS".

DLA Troop Support Clothing & Textiles DOD Email Tent Superstore

2011 JOCOTAS/Industry Meeting & Exhibition

Report Documentation Page

Form Approved
OMB No. 0704-0188

Public reporting burden for the collection of information is estimated to average 1 hour per response, including the time for reviewing instructions, searching existing data sources, gathering and maintaining the data needed, and completing and reviewing the collection of information. Send comments regarding this burden estimate or any other aspect of this collection of information, including suggestions for reducing this burden, to Washington Headquarters Services, Directorate for Information Operations and Reports, 1215 Jefferson Davis Highway, Suite 1204, Arlington VA 22202-4302. Respondents should be aware that notwithstanding any other provision of law, no person shall be subject to a penalty for failing to comply with a collection of information if it does not display a currently valid OMB control number.

1. REPORT DATE NOV 2011	2. REPORT TYPE	3. DATES COVERED 00-00-2011 to 00-00-2011			
4. TITLE AND SUBTITLE DLA Troop Support, Clothing & Textiles, DOD E-mail Tent Superstore		5a. CONTRACT NUMBER			
		5b. GRANT NUMBER			
		5c. PROGRAM ELEMENT NUMBER			
6. AUTHOR(S)		5d. PROJECT NUMBER			
		5e. TASK NUMBER			
		5f. WORK UNIT NUMBER			
7. PERFORMING ORGANIZATION NAME(S) AND ADDRESS(ES) Defense Logistics Agency (DLA), DLA Troop Support, Fort Belvoir, VA, 22060		8. PERFORMING ORGANIZATION REPORT NUMBER			
9. SPONSORING/MONITORING AGENCY NAME(S) AND ADDRESS(ES)		10. SPONSOR/MONITOR'S ACRONYM(S)			
		11. SPONSOR/MONITOR'S REPORT NUMBER(S)			
12. DISTRIBUTION/AVAILABILITY STATEMENT Approved for public release; distribution unlimited					
13. SUPPLEMENTARY NOTES 7th Bi-Annual DOD JOCOTAS Meeting with Rigid & Soft Wall Shelter Industry & Indoor & Outdoor Exhibition, 1-3 Nov 2011, Panama City Beach, FL					
14. ABSTRACT					
15. SUBJECT TERMS					
16. SECURITY CLASSIFICATION OF:			17. LIMITATION OF ABSTRACT Same as Report (SAR)	18. NUMBER OF PAGES 24	19a. NAME OF RESPONSIBLE PERSON
a. REPORT unclassified	b. ABSTRACT unclassified	c. THIS PAGE unclassified			



NAME CHANGE

DLA Troop Support Clothing & Textiles Directorate



2010 - Defense Supply Center Philadelphia renamed DLA Troop Support

Clothing & Textiles is a component of DLA Troop Support, a primary level field activity of the Defense Logistics Agency (DLA). In Fiscal Year 2010, C&T's sales of clothing, textiles and equipment to military personnel worldwide surpassed \$2.1 billion. While buying more than 8,000 different items ranging from uniforms, footwear and undergarments to ecclesiastical items, individual equipment, flags and tents, C&T actually manages over 31,000 line items when individual sizes are factored into the item mix.





CLOTHING & TEXTILES





Clothing & Textiles Mission

Provide dress and field uniforms,
field gear, tentage, and





DSCP'S WARFIGHTER WEBSITE

June 4, 1998 began Development of Basecamp Website

The primary focus was addressed to Standard Tents and The COTS information was limited to basic data with Links to the vendors webpage.

Commercial Off The Shelf (COTS) Tent Info

DSCP's POCs for the following items can be reached at:

Drash	Johnson Outdoors	Cellina Tent	Schutt Industries
Base-X		Alaska Structure	Anchor Industries Inc.
Alaska Tent and Tarp		Camel Manufacturing	Montgomery Marketing, Inc.

Welcome To Warfighter's Archive Basecamp

The Tentage Super Store

MILITARY SPECIFICATION STANDARD TENT SYSTEMS

									
Frame Type Expandable Tent 16' X 16'	TEMPER Tent	Lightweight Maintenance Enclosure	Modular General Purpose Tent System	Soldier Crew Tent	Modular Command Post	Traditional Arctic Tents	Lightweight Extreme Weather Tents (LEWS)	Marine Corps Combat Tent	Screen Latrine

[QUICK COMPARISON TABLE](#)

[SEARCH PAGE FOR POLES, LINES, PINS, COVERS OR TARPAULINS](#)

[Resource Handbook \(Accessories, Support Parts and Shelter Links\)](#)



TRANSITION TO DOD EMALL June 2007



Tent Network for Technology Implementation (TENTNET)



AC Inc. Huntsville Alabama

- Enhancements allow for customers to compare and research shelters as turn key systems and Mil-Spec solution sets.
- This allows for enhanced data capabilities for all Basecamp shelter related ancillary equipment.
- Customers are able to model shelters, lighting, flooring, HVAC, power generation... save to a shopping basket and one click to order their system. The Emall system will place the orders to the various managers of the items.
- Features complete systems of JOCOTAS Service Standard Shelters along with other Standard ancillary support equipment approved and tested by the Service Program Managers.



CAC: Identification Card - Windows Internet Explorer

http://www.cac.mil/CardInfoIdentification.html

common access card

8340-01-1... DSCP's Int... CAC: Id...

Site Accessibility

CAC
DoD COMMON ACCESS CARD

POLICIES & RESOURCES

CARD INFO GETTING THE CARD AUTHENTICATING THE CARD

IDENTIFICATION CARD

The information below provides an in-depth look at the distinctions between the **next-generation Identification Card** and the **first generation Identification Card**.

CARD INFO
[Security Features](#)

IDENTIFICATION CARD

ID RECIPIENTS*

- Department of Defense (DoD) civilian employees
- Eligible contractor employees
- Non-DoD/Other government employees

AFFILIATION

- Senior Executive Service (SES)
- Civilians

EXPIRATION DATE
FEDERAL IDENTIFIER
AFFILIATION
STATUS
INTEGRATED CIRCUIT CHIP

Doe, John, G.

Identification Card

Email is now Common Access Card enabled



Standard Email Search

TENT, Frame Type Ex

Add to Cart

Category: Tent

Supplier: DLA Clothing and Textiles

\$2,223.33

NSN: 8340-xx-xxxx

In Stock: 501

PGC: 00000

UPC: 123456789

Results in the Email website displays the basic data.



Specialty Stores

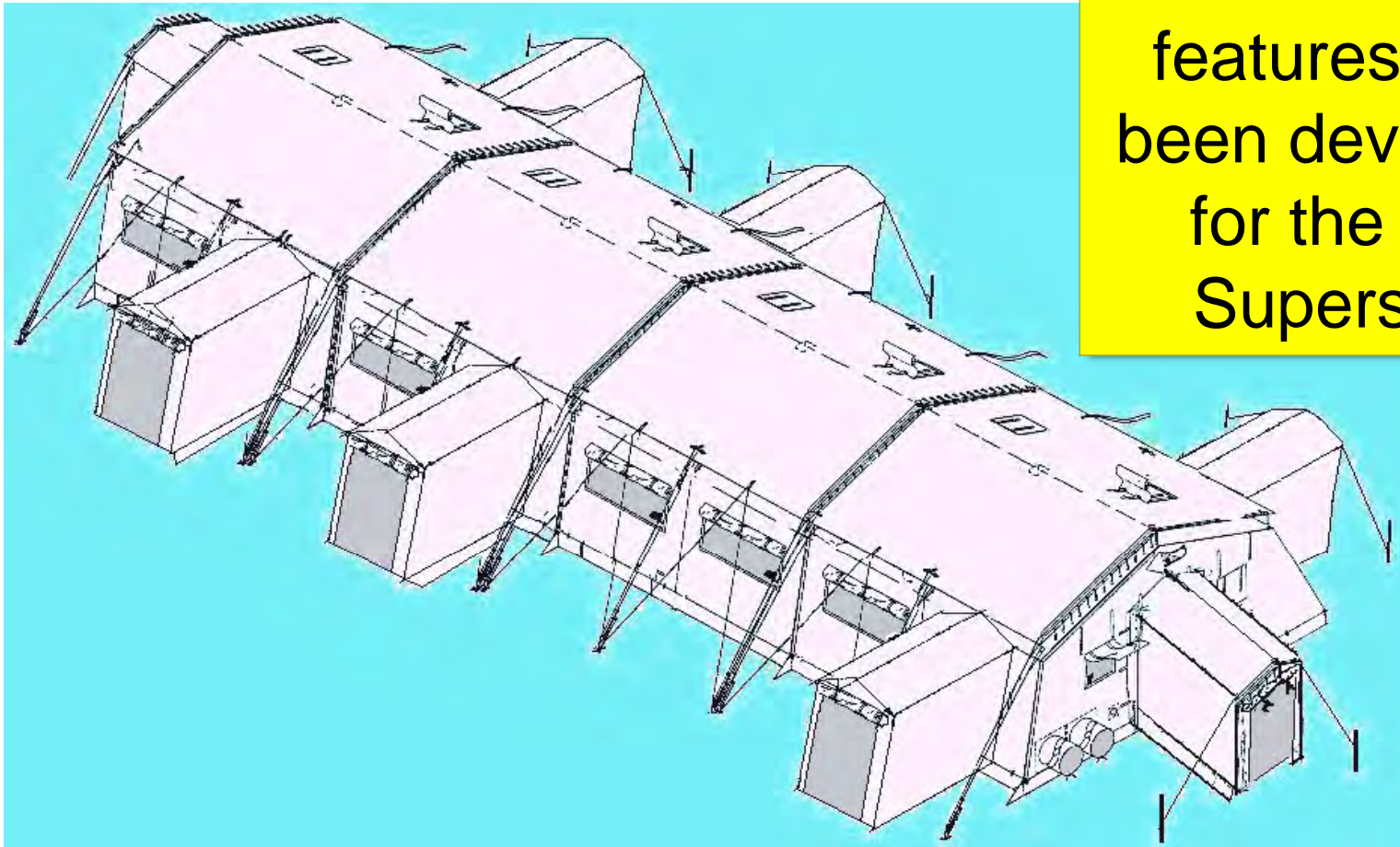
- Table of Contents
- Tent Superstore
- Extreme Weather Tent
- Frame Type Expandable Folder
- Lightweight Extreme Weather Tent
- Lightweight Maintenance Enclosure
- Modular Command Post
- Modular General Purpose Tent System
- Soldier Crew Tent
- Tent Arctic 10 Man
- Tent Modular Extendable Personnel
- Tent Hexagonal
- US Marine Corps Combat Shelter

Navigate the
same as your
Windows
Explorer
Folders



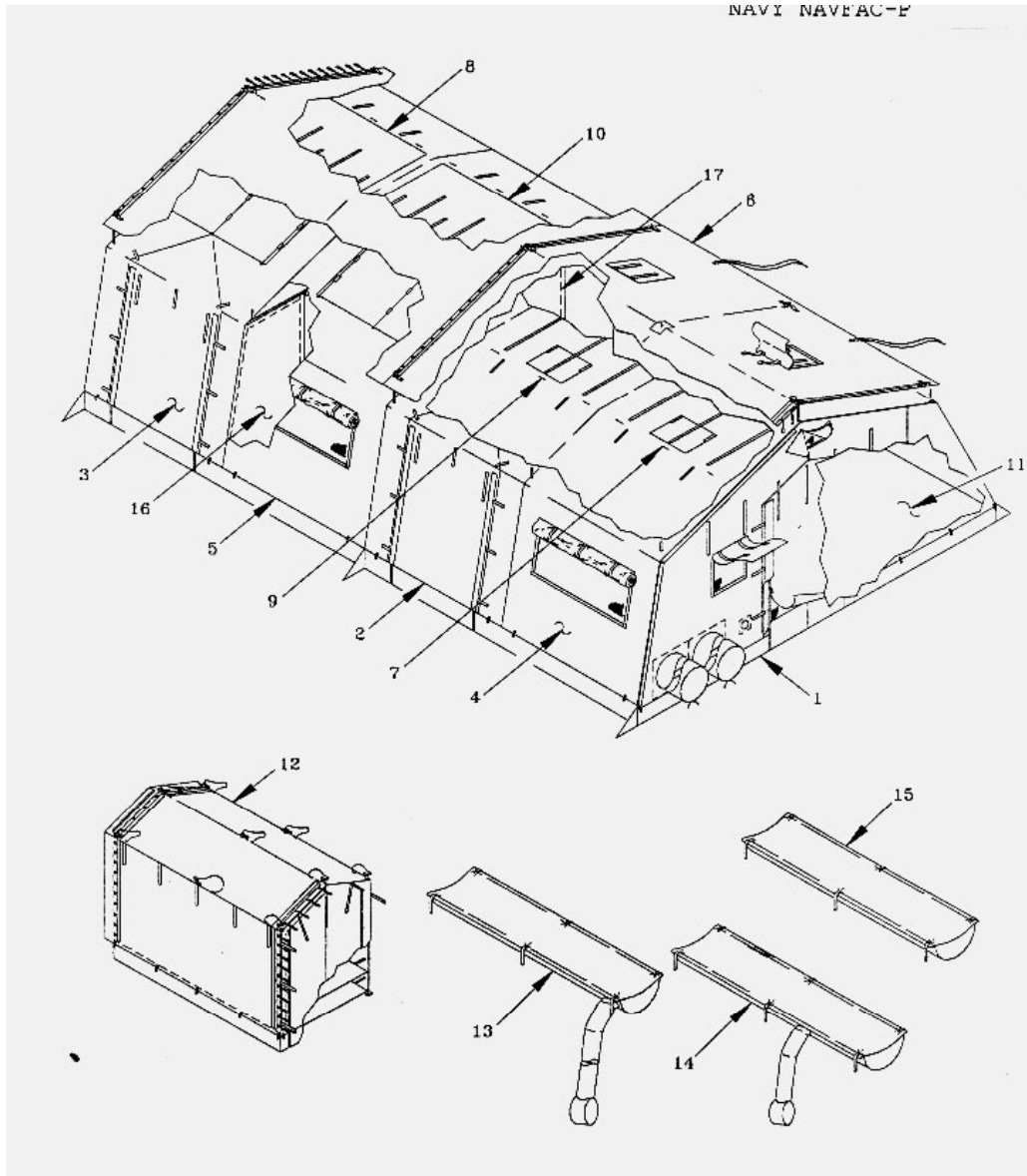
Specialty Stores

Email's most advanced features have been developed for the Tent Superstore





Specialty Stores



Thumbnails
explode high
resolution parts
breakdown.



Specialty Stores

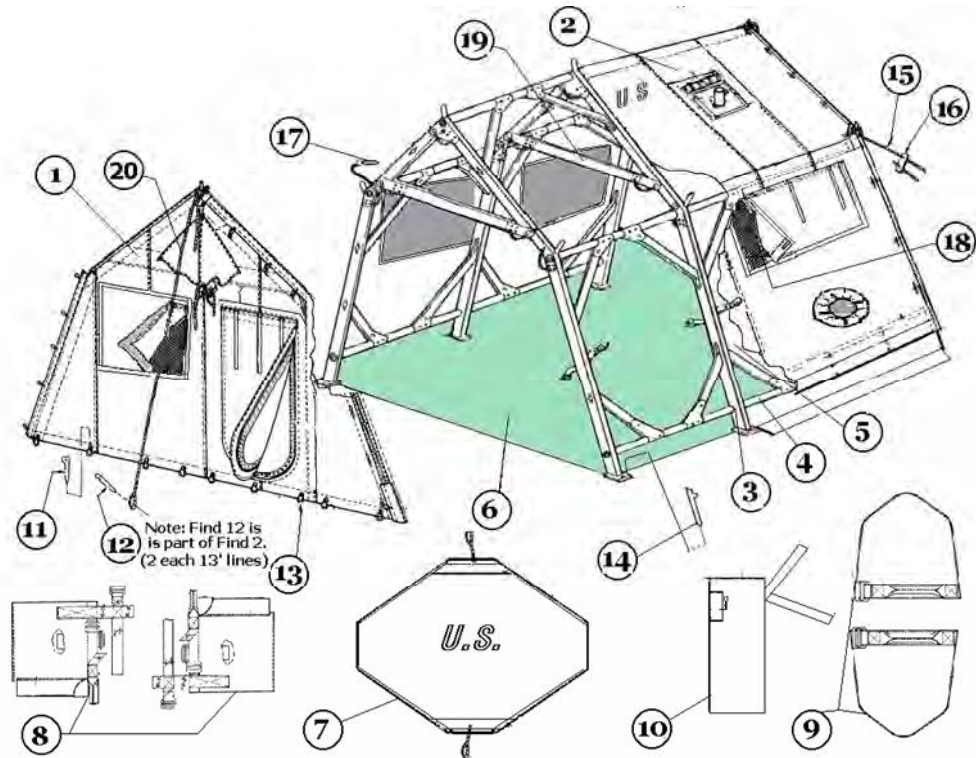
Out-Away Reference	NSN	DESCRIPTION
1	8340-00-566-7398	End Section Fabric Includes: 1 ea. 9' line 9 ea. Footstops Slip, Tent Line
2	8340-00-566-7416	Intermediate Section Fabric Includes: 4 ea. 9' lines 2 ea. 13' lines 16 Inch Wood Pin Window Pane
3	8340-00-566-7394	Arch, Tent Frame (Does Not Include Header)
4	8340-00-238-9806	Purlin, Assembly
5 or F	8340-01-452-7049	Liner w/Transport Cover Includes: 2 ea. 8' sections
6 or C	8340-00-453-5646	Floor, 16' Fabric
7 or B	8340-00-841-4648	Cover, General Purpose, Small
8 or G	8340-00-556-9671	Transport Cover, Purlins (one cover = one pair with straps) Fits 10 Purlins
9 or H	8340-00-556-9674	Transport Cover, Arches (one cover = one pair with straps) Fits three Arches and Three Header Bars
10	8340-01-186-3030	1 Pin Tent Pin Container
11 or K	8340-00-261-9749	9 Inch Aluminum Pin
12 or I	8340-00-261-9750	16 Inch Wood Pin
13	8340-00-252-2299	Footstop, 9"
14 or J	8340-00-823-7451	12 Inch Steel Pins, Red
15	8340-00-252-2269	Line, Tent: Guy, 9'
16	8340-00-205-2759	Slip, Tent Line
17	5340-00-177-4076	Pin And Ring Quick Release
18	8340-00-566-7387	Window, Pane

Component
Part
Identification



Specialty Stores

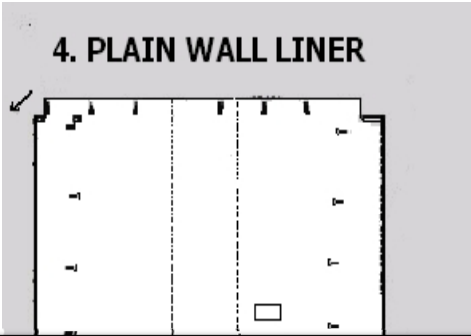
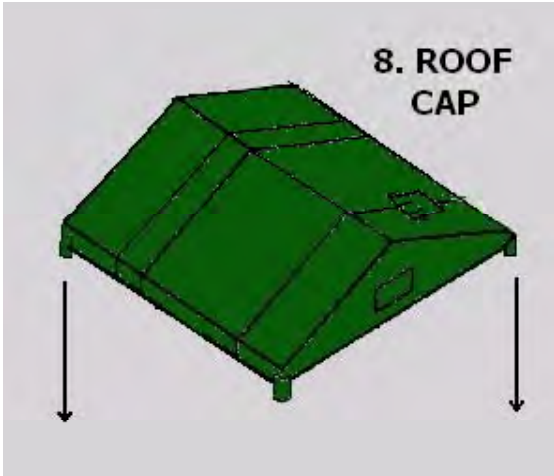
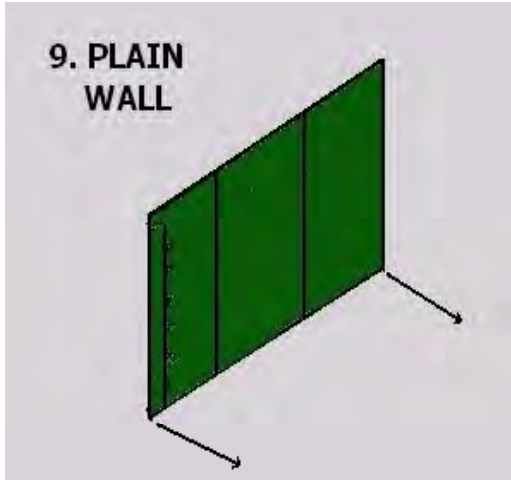
Cut-Away Reference	NSN	DESCRIPTION
1	8340-00-566-7398	End Section Fabric Includes: 1 ea. 9' line 9 ea. Footstops Slip, Tent Line
2	8340-00-566-7416	Intermediate Section Includes: 4 ea. 9' lines 2 ea. 13' lines 16 Inch Wood Pin Window Pane
3	8340-00-566-7394	Arch, Tent Frame (Does Not Include He
4	8340-00-238-9806	Purlin, Assembly
5 or F	8340-01-452-7049	Liner w/Transport Co Includes: 2 ea. 8' sections
6 or C	8340-00-453-5646	Floor, 16' Fabric
7 or B	8340-00-841-4648	Cover, General Purpo:
8 or G	8340-00-556-9671	Transport Cover, Purli (one cover = one pair Fits 10 Purlins
9 or H	8340-00-556-9674	Transport Cover, Arch (one cover = one pair Fits three Arches and Bars
10	8340-01-186-3030	1 Pin Tent Pin Container
11 or K	8340-00-261-9749	9 Inch Aluminum Pin
12 or I	8340-00-261-9750	16 Inch Wood Pin
13	8340-00-252-2299	Footstop, 9"
14 or J	8340-00-823-7451	12 Inch Steel Pins, Red
15	8340-00-252-2269	Line, Tent: Guy, 9'
16	8340-00-205-2759	Slip, Tent Line
17	8340-00-177-4076	Pin And Ring Quick Release
18	8340-00-566-7387	Window, Pane



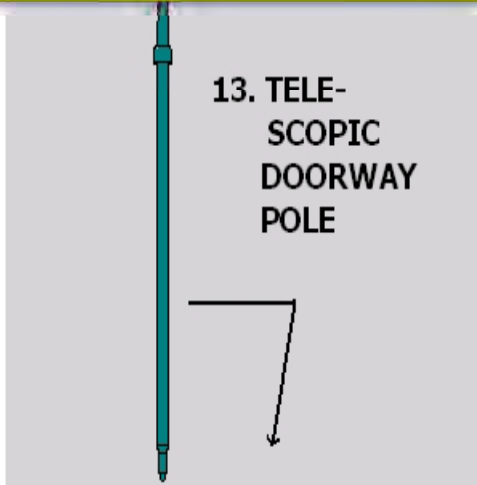
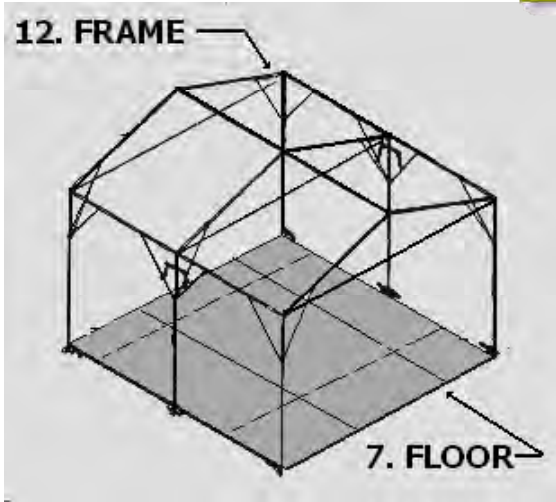
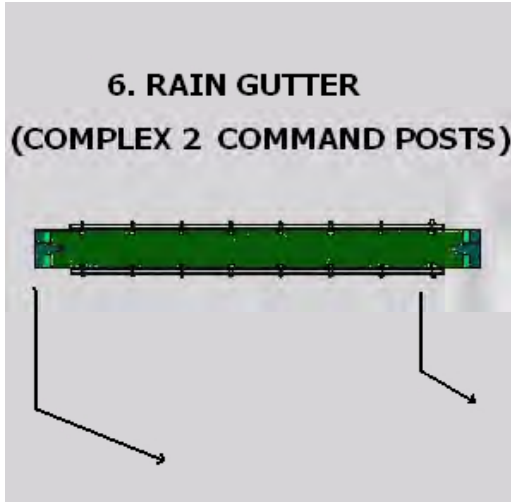
Layered
browser
environment



View Tent Options.

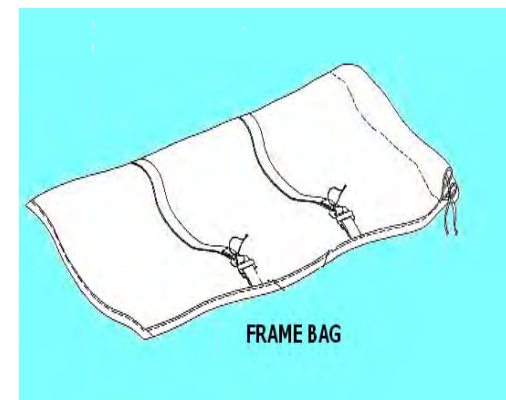
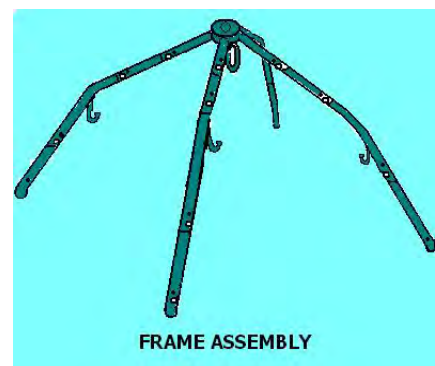
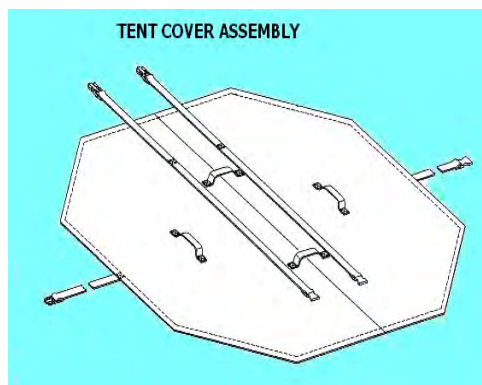
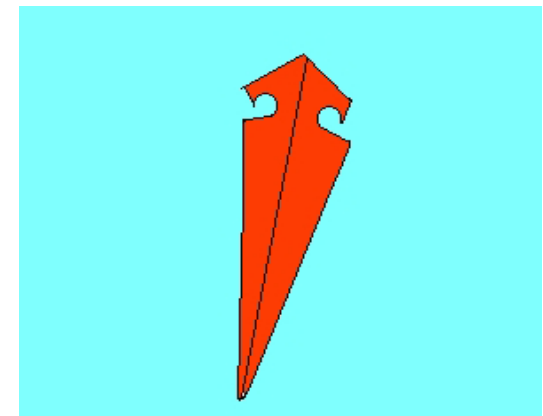
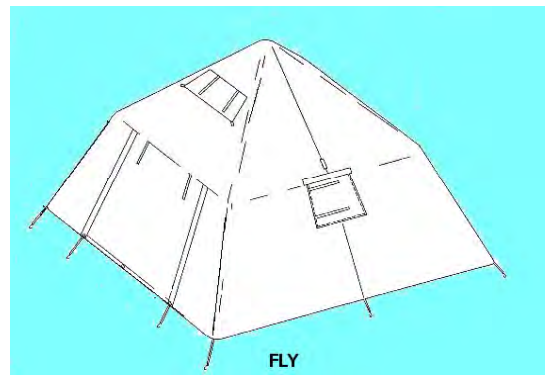
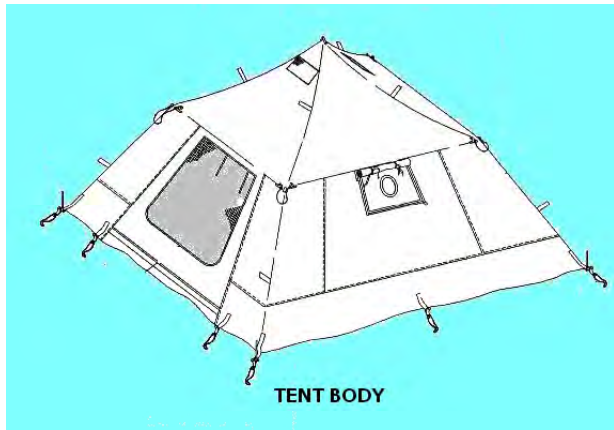


Spare/Replacement parts link.





Ordering Spare Parts

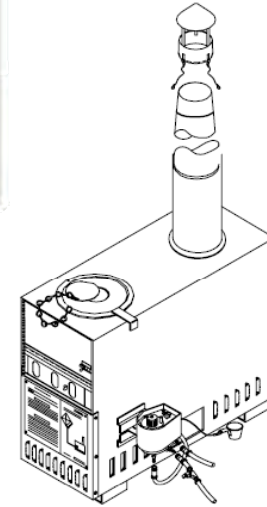




Kitting Support Components.



Ordering of tents with components.



3. LIGHT SET





Turn Key Systems





BASE CAMPS

Configured Components presented to military users in a single location regardless of the manager of activity.

DoD Email includes the capability to:

- **present systems that include multiple managers or buying activities**
- **place the orders to the proper activities that have existing contracts in place**
- **Package and ship a unitized assembly**
- **Distribute payment for each component**
- **Place on items on contract that does not have an active contract**





-----Original Message-----

From: Doe, John (DLIS)

Sent: Thursday, October 15, 2009 2:11 PM

To: Joe, GI

Subject: FW: Your colleague has sent you a Cart on DOD EMALL.

Your colleague has sent you a cart in Carts For Action on DOD EMALL And retrieve the cart named "Bare Base Command Module Package" Thank you for using DOD EMALL!

Tent Superstore Modular General Purpose Tent System Package Test

Cart: Bare Base Command Module Package

Accessories Available from US Army Natick: Light and Electrical

Distribution Plan 200 AMP Power Distribution Package Plan HVAC Kit Plan Floor

Floor Plan and additional information see:

Sent Cart			
Cart Item(s)	Price	Qty.	Extended
NSN: 8340014563628	\$7,183.04	5	\$35,915.20
NSN: 8340014771397	\$216.88	5	\$1,084.40
NSN: 8340014911449	\$426.11	5	\$2,130.55
NSN: 8340014911392	\$554.95	5	\$2,774.75
NSN: 8340014771390	\$733.97	5	\$3,669.85
NSN: 8340015230828	\$267.09	5	\$1,335.45
NSN: 8340011863026	\$430.01	5	\$2,150.05
	\$38.75	15	\$581.25
Total Extended Price: \$50,059.80		Extended Subtotals, by Currency: \$50,059.80	

Any configured tent system in a shopping basket can easily be saved and emailed to potential customers.



Product Testing Results

GreenerChoices.org | Cars: Buying guide 6/07 - Microsoft Internet Explorer provided by DSCP

Edit View Favorites Tools Help


Back Search Favorites

http://www.greenerchoices.org/ratings.cfm?product=auto

ConsumerReports[®] Greener ChoicesSM Products for a Better Planet

Greener Choices Home > Cars > Cars: Buying guide 6/07

Cars: Buying guide 6/07



Green Ratings Cars

These Ratings can help you choose a car with fuel economy in mind. You can sort the ratings chart by any column by clicking on the header of the column. Consumer Reports fuel economy ratings are derived from a series of actual road tests, including city, highway, and country-road driving. Each car is driven by at least two engineers to account for variability in driving styles. By contrast, the EPA's widely advertised mileage estimates are obtained through a laboratory test involving a machine called a dynamometer where car wheels are moved at different speeds while the car is stationary. We believe our estimates, which tend to be lower than the EPA's, more accurately reflect the fuel economy each car will get in real life.

Products & green ratings

- Appliances
- Cars
- Electronics
- Food & beverages
- Home & garden

Toolkit

- Calculators
- Eco-labels search
- Toxics search

Hot topics & solutions

- Electronics recycling center
- Global warming center
- More topics

Search Green

Making green

- How to choose
- Assessing
- Making the
- Getting the most value

Why it matters

- Green Ratings

What you can do

- Recycling & disposal
- Auto Rebates

Includes technical and safety comparison data similar to consumer publications.



Test Report Results

Test Data

Test	Description (Abbreviated)	Company Tested	Government Lab test report
Temperature Range, Operational	Minus ___ to plus ___ degrees F.		
Temperature Range, Storage	Minus ___ to plus ___ degrees F.		
Erect Time / # of Persons	___ / ___		
Strike Time / # of Persons	___ / ___		
Durability	Withstand ___ erect/strike cycles		
Field Life	Minimum of ___ years		
Shelf Life	Minimum of ___ years		
Wind Load, Steady	Steady wind speed of ___ mph for ___ minutes and resist rain intrusion		
Wind Load, Gusts	Three occurrences of wind gusts to ___ mph during ___ minute steady wind speed of ___ mph and resist rain intrusion		
Rain, Steady	___ inches per hour for ___ minutes		
Rain, Wind Driven	___ inches per hour for thirty minutes with wind speeds of ___ MPH and with three occurrences of wind gusts to		

Includes the capability to publish test reported performance results.



This capability in the future will allow the customer to make an educated decision on alternate COTS Shelters in the event of a JOCOTAS Standard Tent in backorder.

CLOTHING & TEXTILES



MEDICAL



CONSTRUCTION EQUIPMENT



SUBSISTENCE

