

# Hardware Support for Software Debugging

Mohammad Amin Alipour  
Benjamin Depew

Department of Computer Science  
Michigan Technological University

# Report Documentation Page

Form Approved  
OMB No. 0704-0188

Public reporting burden for the collection of information is estimated to average 1 hour per response, including the time for reviewing instructions, searching existing data sources, gathering and maintaining the data needed, and completing and reviewing the collection of information. Send comments regarding this burden estimate or any other aspect of this collection of information, including suggestions for reducing this burden, to Washington Headquarters Services, Directorate for Information Operations and Reports, 1215 Jefferson Davis Highway, Suite 1204, Arlington VA 22202-4302. Respondents should be aware that notwithstanding any other provision of law, no person shall be subject to a penalty for failing to comply with a collection of information if it does not display a currently valid OMB control number.

1. REPORT DATE <b>MAY 2011</b>		2. REPORT TYPE		3. DATES COVERED <b>00-00-2011 to 00-00-2011</b>	
4. TITLE AND SUBTITLE <b>Hardware Support for Software Debugging</b>				5a. CONTRACT NUMBER	
				5b. GRANT NUMBER	
				5c. PROGRAM ELEMENT NUMBER	
6. AUTHOR(S)				5d. PROJECT NUMBER	
				5e. TASK NUMBER	
				5f. WORK UNIT NUMBER	
7. PERFORMING ORGANIZATION NAME(S) AND ADDRESS(ES) <b>Michigan Technological University, Department of Computer Science, Houghton, MI, 49931-1295</b>				8. PERFORMING ORGANIZATION REPORT NUMBER	
9. SPONSORING/MONITORING AGENCY NAME(S) AND ADDRESS(ES)				10. SPONSOR/MONITOR'S ACRONYM(S)	
				11. SPONSOR/MONITOR'S REPORT NUMBER(S)	
12. DISTRIBUTION/AVAILABILITY STATEMENT <b>Approved for public release; distribution unlimited</b>					
13. SUPPLEMENTARY NOTES <b>Presented at the 23rd Systems and Software Technology Conference (SSTC), 16-19 May 2011, Salt Lake City, UT. Sponsored in part by the USAF. U.S. Government or Federal Rights License</b>					
14. ABSTRACT					
15. SUBJECT TERMS					
16. SECURITY CLASSIFICATION OF:			17. LIMITATION OF ABSTRACT <b>Same as Report (SAR)</b>	18. NUMBER OF PAGES <b>30</b>	19a. NAME OF RESPONSIBLE PERSON
a. REPORT <b>unclassified</b>	b. ABSTRACT <b>unclassified</b>	c. THIS PAGE <b>unclassified</b>			

# Outline

- Motivation
  - Economy of Software Defects
  - Debugging Concurrency Issues
  - Flaws of Software Debugging
- Hardware-Based Software Debugging
  - Post-mortem Analysis: Replay Architectures
    - Flight Data Recorder
    - Rerun
  - Runtime Verification: Hardware Monitors
    - iWatcher
    - Log Based Architecture
  - Concurrency Debugging - ReEnact
- Conclusions

# Cost of Software Defects

- Financial Costs
  - In a study by NIST in 2002 it was found that software bugs caused 59.5 billion dollars damage to the US economy
- Other Costs
  - Patriot Missile Defense System Failure
    - Feb 25, 1991
    - Caused killing of 28 American Soldiers
  - Radiation Treatment Overdose
    - June 1985 – January 1987
    - 6 patients overdosed with up to 100x normal radiation levels
    - Speculated to be because of software bugs

# Concurrency Defects

- Moore's Law Breaking Down
  - Processor manufactures switching to adding more processing cores on the processor die
- Leveraging multi-core processors by using multithreaded applications introduces more potential runtime bugs in the software:
  - Data Race
  - Deadlock
  - Starvation/Livelock
- Notoriously difficult to debug the conditions listed above

# Software Debugging - Common Techniques

- Static
  - Analysis of source code
  - Methods such as: model checking, program analysis
  - Not practical for hardware support
- Dynamic
  - Monitor executing programs dynamically
  - Instrument program and check for violations
  - Practical for hardware support

# Software Instrumentation Example

Software Instrumentation inserts instructions within a program to trace the state that the program is in at a given point in time.

- Static:
  - Done at the source code level
  - Example: Assert statements
- Dynamic:
  - Done at object code level
  - Examples: Valgrind, PIN

```
sub    $0xff, %edx  
counter++;  
cmp    %esi, %edx  
counter++;  
jle   <L1>  
counter++;  
mov    $0x1, %edi  
counter++;  
add    $0x10, %eax
```

From: Cohn "Pin Tutorial"

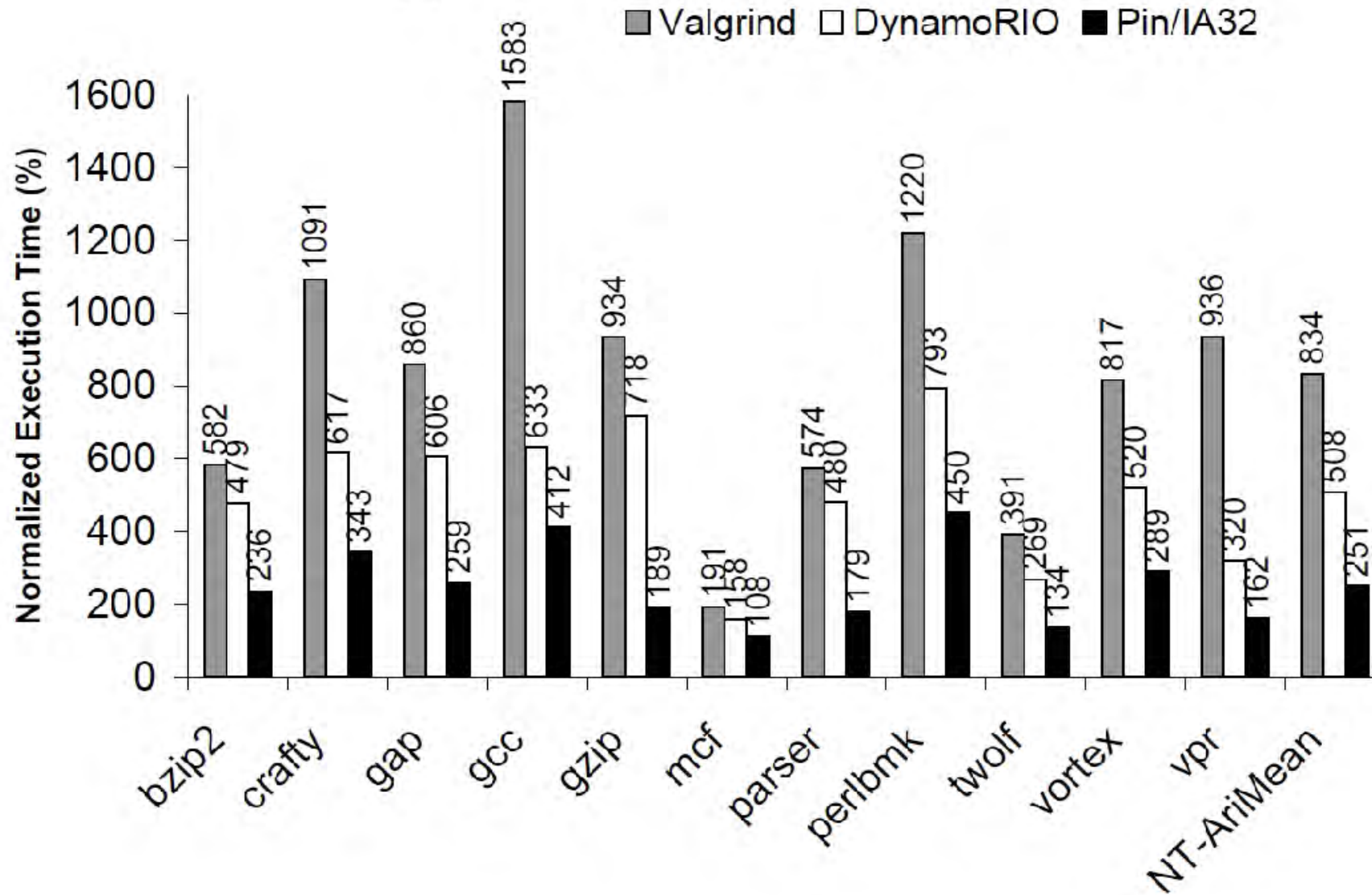
# Limitations of Software-Based Dynamic Verification

- Performance: Instrumentation can cause runtimes to be longer by an order of magnitude
- Accuracy: Unable to catch certain software defects such as memory alignment

```
int x, *p;
/* assume invariant: x == 1 */
...
p = foo(); /* causes a bug: p points to x incorrectly */
*p = 5; /* line A: unintended corruption of x */
...
InvariantCheck(x == 1); /* line B */
z = Array[x];
...
```



# Performance Slowdown



Luk *et al* "Pin: Building Customized Program Analysis Tools with Dynamic Instrumentation" PDI'05.

# Hardware Based Software Debugging

- Hardware is faster
  - Runtime overhead of using hardware techniques for dynamic software verification is less than that of software techniques
  - The tradeoff is hardware will become more complex and possibly more expensive
- Details of actual execution that could be inaccessible at the software level
  - Compiler Optimizations
  - Software Libraries
  - Can see what is happening at the machine level to expose these issues

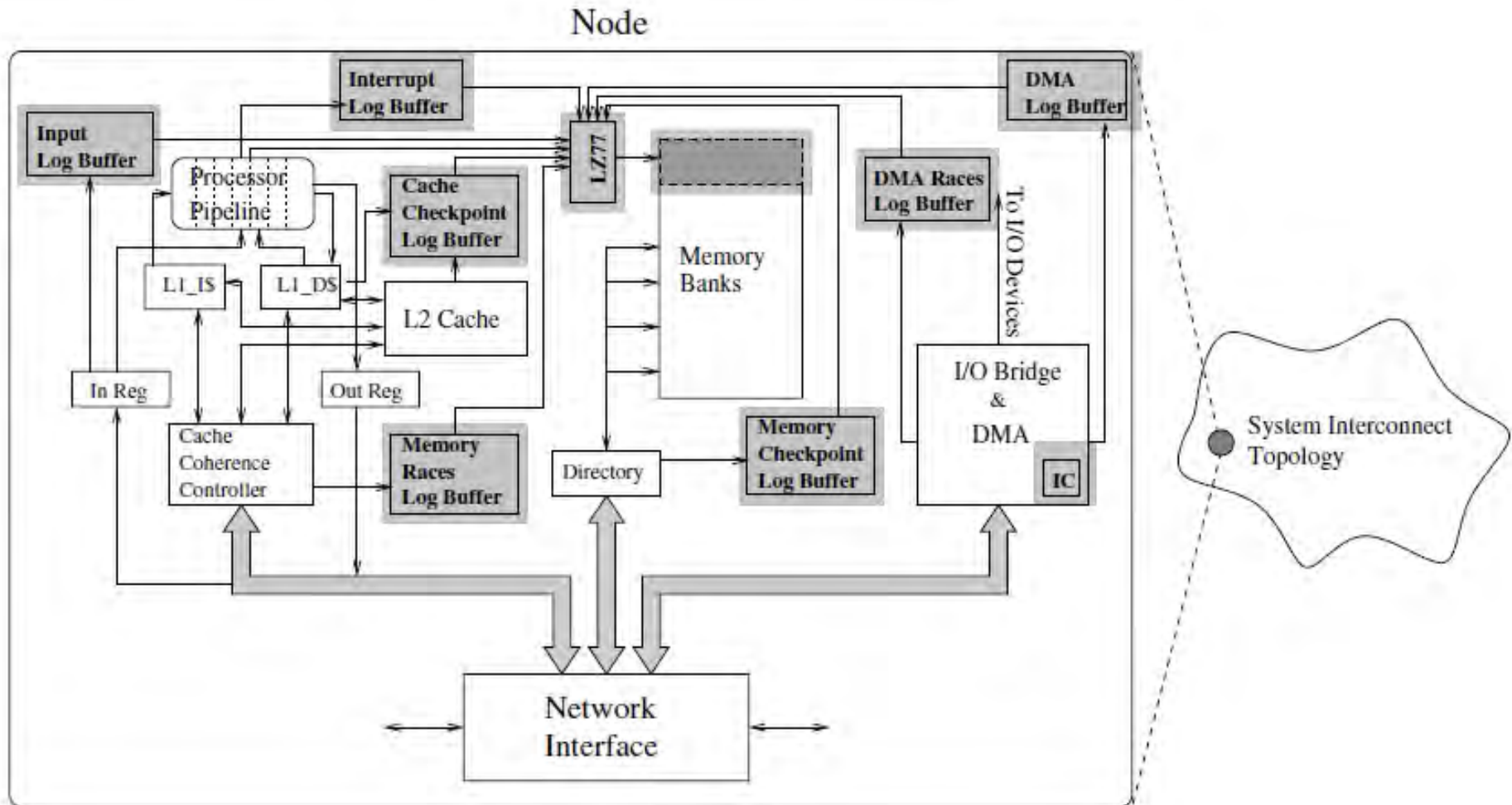
# Post-mortem Analysis

- Debugging requires understanding of the cause of the failure, one common way is reproduction of failure from logging a program's actions
- In sequential programs, reproduction of failure is a relatively straight forward process
  - Check-pointing statements of interest
  - Trace through checkpoints using debuggers
- In concurrent programs, reproduction of failure is difficult
  - Non-determinism of thread execution leads to many possible program execution states
  - Need to preserve the order in which threads execute relative to each other to reproduce the runtime which lead to the failure

# Flight Data Recorder (FDR)

- Modeled after the principles of an actual flight data recorder, FDR constantly records information during a program's execution
- Assumes sequentially consistent memory model for the base hardware
- Maintains a record of a set number of previous instructions
- If a trigger occurs while recording, a log file including a core dump and the record FDR has been keeping is output to a file for replay after program execution

# FDR architecture



Xu, M., Bodik, R., and Hill, M. A "flight data recorder" for enabling full-system multiprocessor deterministic replay. ACM SIGARCH Computer Architecture News 31, 2 (2003), 122–135.

# FDR Evaluation

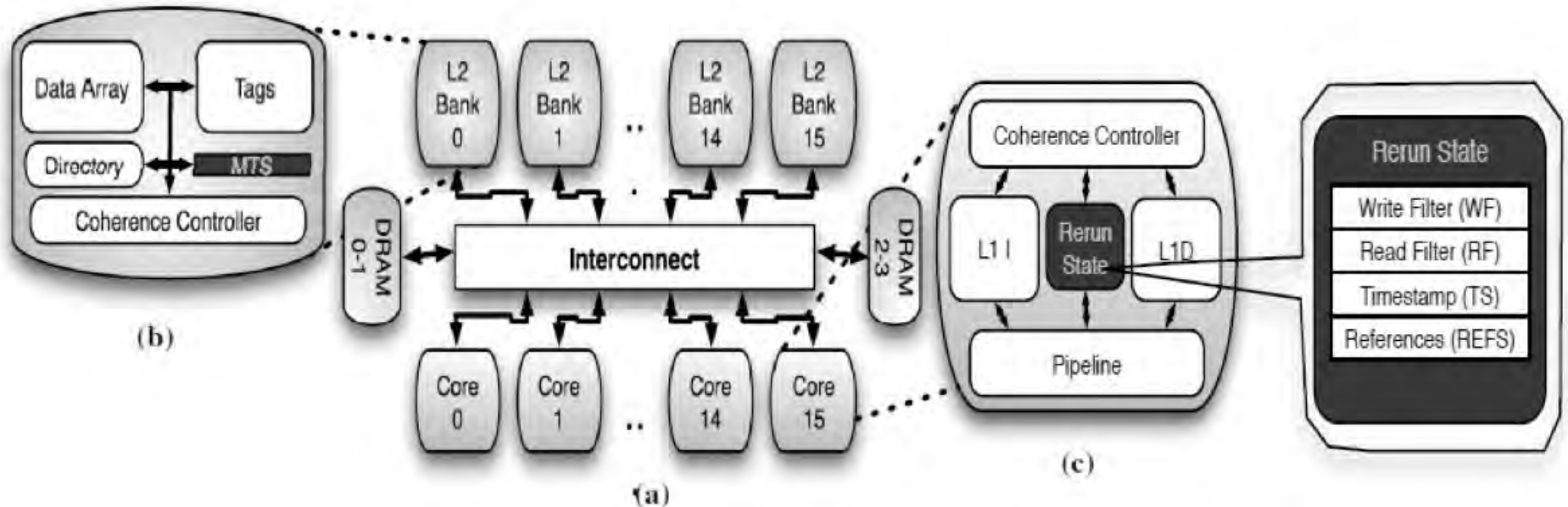
Using Wisconsin workload simulations on a simulated machine four 1Ghz processors and a log interval of 1 billion instructions:

- Speed
  - Runtime of the workloads was found to increase less than 2%
- Hardware Cost
  - 7% overhead of system memory used for logging the longest intervals in this system, assuming 512MB memory per processor
  - At least 4KB additional memory needed on the die of the processor for this setup

# Rerun

- Based off the approach that FDR uses, also relies on sequential consistency memory model.
- Instead of recording a set interval of instructions, Rerun keeps track of the time a thread executes without memory access conflicts with other threads
- "Episodic Memory Race Recording"
  - Determines the length of an episode by ending a current episode and beginning a new one when threads access the same memory locations
  - Orders the episodes of multiple threads to produce a faithful deterministic replay of the whole program, which is done using a Lamport Scalar Clock

# Rerun Architecture



Hower and Hill "Rerun: Exploiting episodes for lightweight memory race recording". In ISCA08: Proceedings of the 35th International Symposium on Computer Architecture (2008), pp. 265–276.



# Rerun Evaluation

- Speed
  - Speed overhead of using FDR not noted in the paper, given the small log file sizes and minimal hardware costs, should be minimal
- Hardware Cost
  - 166 bytes per core
- Other notes
  - Other main focus was to keep log file sizes minimal for scalability to large numbers of cores, in which it was noted that Rerun was on par with FDR's log file size

# Runtime Monitoring

- Efficient run-time monitoring of programs can be exploited to
  - Automatically detect invalid software states during runtime
  - Potentially recover from invalid software states to improve reliability
- Some security flaws and safety violations can be reported and in some cases prevented by keeping track of the execution of the program
  - Taint Analysis
  - Buffer Overflow

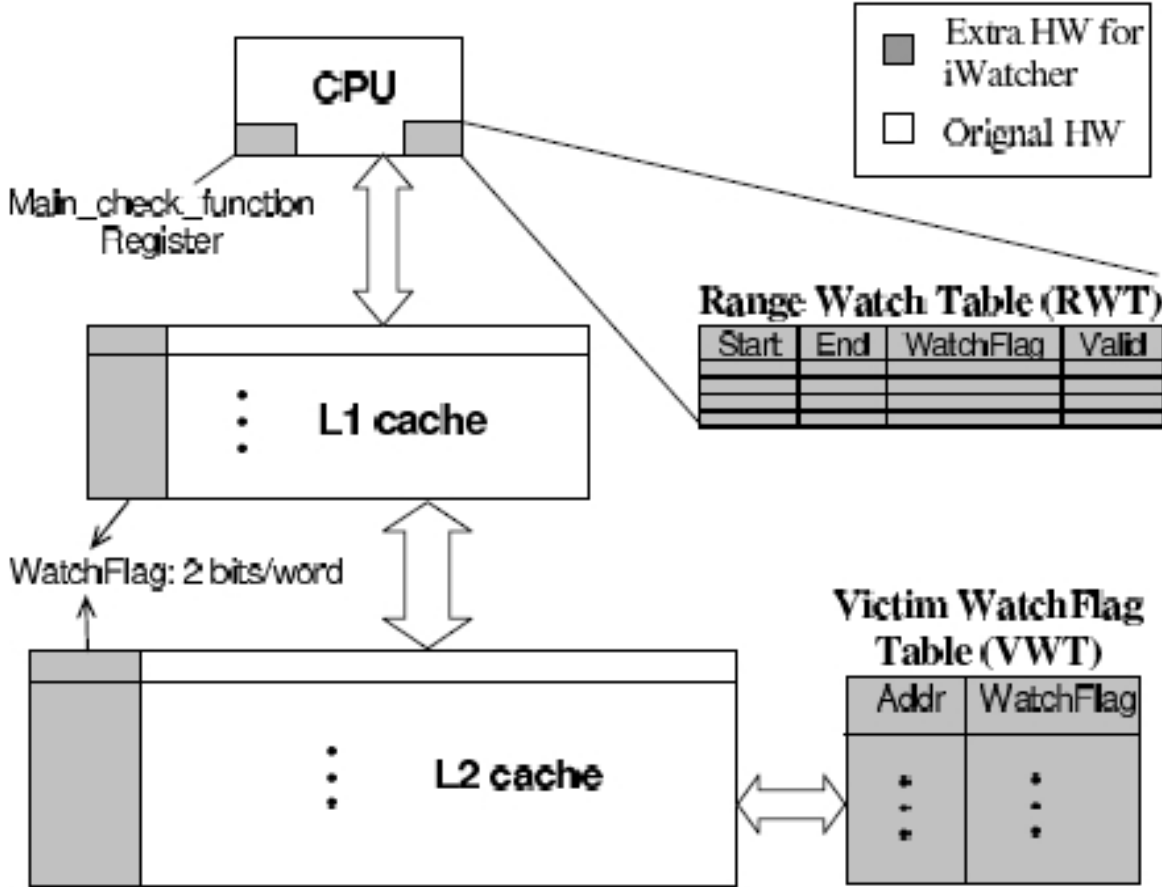
# iWatcher Description

- Hardware architecture support for memory monitoring
- It allows programmers to associate a monitoring function to a portion of memory
- It can be used to detect and prevent memory related faults such as buffer overflow, memory leaks and stack smashing
- Leverages Thread Level Speculation (TLS)
  - To support breakpoints and rollbacks when a trigger occurs
  - To execute monitoring code in parallel with the program code

# iWatcher Usage

- The iWatcher system provides system calls as the interface for a programmer to monitor memory locations
  - iWatcherOn() method specifies the memory addresses to be monitored, types of accesses (read, write or both), monitoring function to trigger in the occurrence of such event
  - iWatcherOff() disables monitoring of specific memory addresses
- Programmers can insert these system calls into the source code wherever monitoring is needed
- iWatcher will invoke the specified monitoring function upon a triggering access to the watched memory

# iWatcher Architecture



Zhou, P., Qin, F., Liu, W., Zhou, Y., and Torrellas, J. "iWatcher: Efficient architectural support for software debugging". ACM SIGARCH Computer Architecture News 32, 2 (2004), 224 – 235.

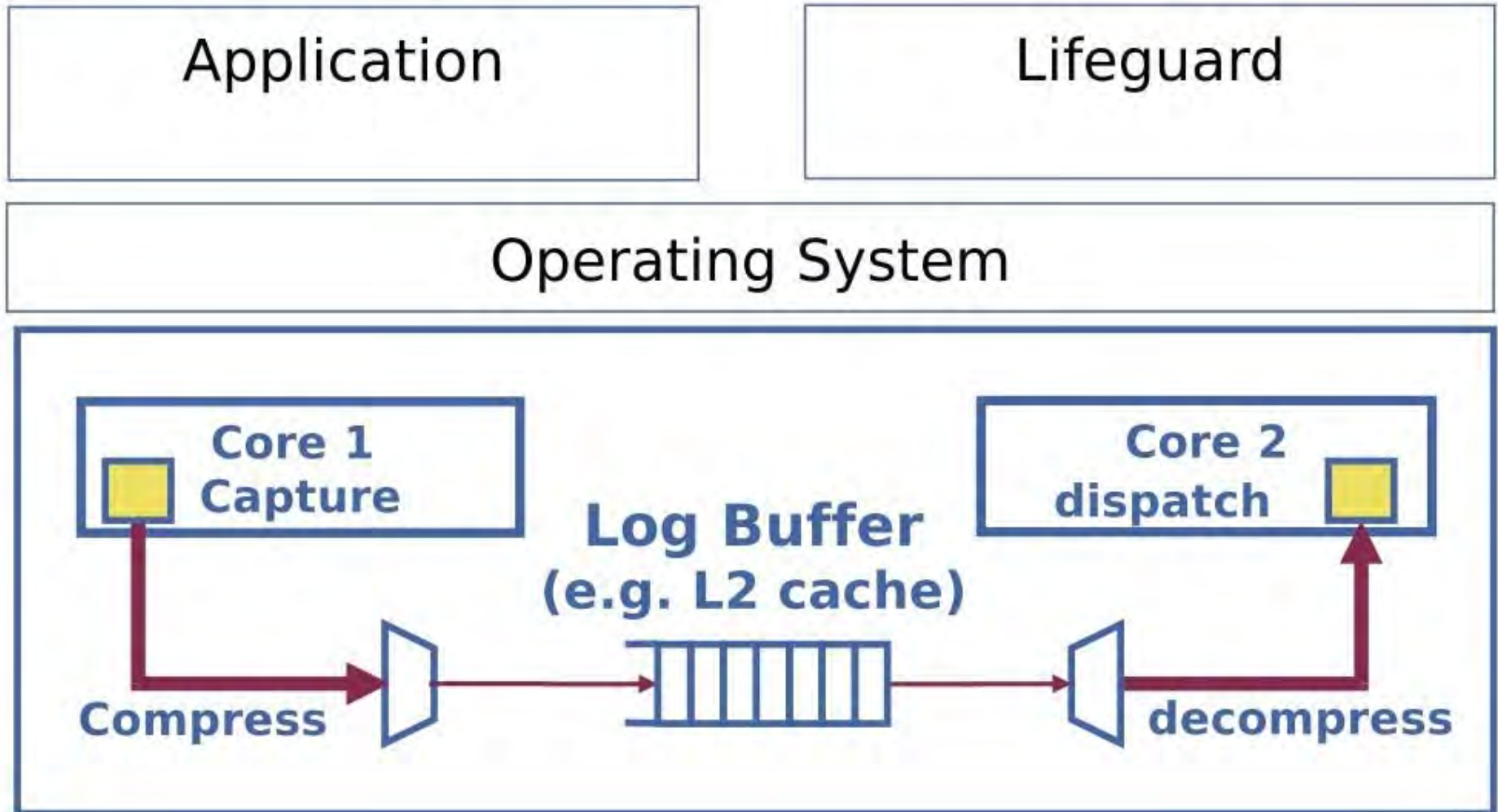
# iWatcher Evaluation

- Speed
  - 4-80% runtime overhead on experimental data
  - 66-175% runtime overhead on heavy dynamic load monitoring
- Hardware Cost
  - 2 bits per word in L1 and L2 caches
  - 2040 bytes for RWT and VWT tables
- Other notes
  - Other main focus was to keep log file sizes minimal for scalability to large numbers of cores

# Log Based Architecture (LBA)

- The motivation is that when a program and its monitor run on the same shared resources like register files and processors, they compete for resources which slows down the program execution
- Based on decoupling program and its monitor by leveraging idle cores in multi-core processors to handle the monitoring of an application
- Information to monitor is passed from the core running the application to the the core monitoring the application using a log buffer with compression

# LBA



Courtesy: Chen, *et al* "Log-based architectures for general-purpose monitoring of deployed code". In ASID '06.



# LBA Evaluation

- Speed
  - The experiments show 4 to 19 times speedup comparing to a comparable software-only technique, Valgrind
- Hardware Cost
  - It requires twice the number of cores necessary to run the application without instrumentation in order to function correctly
- Variety of Lifeguard Functionality
  - AddrCheck
  - TaintCheck
  - LockSet
- Lifeguards can be toggled on or off during runtime

# Concurrency Debugging - ReEnact

- Leverages modified Thread-Level Speculation (TLS) hardware
- Create partial orderings of threads in a multithreaded program using logical vector clocks
- Using these orderings, ReEnact is able to detect and often repair data race conditions in a multithreaded program
- Experiments were done with four processors, one thread per processor
- Slowdown during non-bug detected runs was only 5.8%

# Conclusions

- There is current architecture support for limited hardware monitoring
  - Currently up to four hardware watch-points
  - x64 architecture supports additional addressing for debug registers, but currently not implemented in hardware
- All hardware debugging methods observed require architecture modifications to current architectures in order to function, therefore are tested through simulations

# Conclusions

- In order for new hardware debugging practices to be leveraged in industry, current architecture support will need to be expanded
- With the growing need for debugging multithreaded applications on multi-core processors, will there be enough demand to justify the cost of increasing architecture support for hardware debugging?

Questions?

# References

- Zhou, P., Qin, F., Liu, W., Zhou, Y., and Torrellas, J. "*iWatcher: Efficient architectural support for software debugging*". ACM SIGARCH Computer Architecture News 32, 2 (2004), 224 – 235.
- Hower and Hill "*Rerun: Exploiting episodes for lightweight memory race recording*". In ISCA08: Proceedings of the 35th International Symposium on Computer Architecture (2008), pp. 265–276.
- Xu, M., Bodik, R., and Hill, M. A. "*Flight data recorder for enabling full-system multiprocessor deterministic replay*". ACM SIGARCH Computer Architecture News 31, 2 (2003), 122–135.
- Chen, *et al* "*Log-based architectures for general-purpose monitoring of deployed code*". In ASID '06.
- Prvulovic, M.; Torrellas, J. "*ReEnact: using thread-level speculation mechanisms to debug data races in multithreaded codes*". 30th Annual International Symposium on Computer Architecture Proceedings 2003.
- Luk, *et al* "*Pin: Building Customized Program Analysis Tools with Dynamic Instrumentation*" PLDI'05.

# Acronyms

- LBA: Log Based Architecture
- NIST: National Institute of Standards and Technology
- FDR: Flight Data Recorder
- TLS: Thread Level Speculation
- EEMR: Episodic Memory Race Recording
- RWT: Range Watch Table
- VWT: Victim WatchFlag Table
- HW: Hardware
- MTS: Maximum Time Stamp
- DMA: Direct Memory Access
- CPU: Central Processing Unit