

UNCLASSIFIED



Joint Counter Radio Controlled IED Electronic Warfare (CREW) Program

***Coalition Counter IED Summit
Symphony Brief
07 February 2011***

DISTRIBUTION STATEMENT A: Approved for public release; distribution is unlimited.

UNCLASSIFIED

Report Documentation Page

Form Approved
OMB No. 0704-0188

Public reporting burden for the collection of information is estimated to average 1 hour per response, including the time for reviewing instructions, searching existing data sources, gathering and maintaining the data needed, and completing and reviewing the collection of information. Send comments regarding this burden estimate or any other aspect of this collection of information, including suggestions for reducing this burden, to Washington Headquarters Services, Directorate for Information Operations and Reports, 1215 Jefferson Davis Highway, Suite 1204, Arlington VA 22202-4302. Respondents should be aware that notwithstanding any other provision of law, no person shall be subject to a penalty for failing to comply with a collection of information if it does not display a currently valid OMB control number.

1. REPORT DATE 07 FEB 2011	2. REPORT TYPE	3. DATES COVERED 00-00-2011 to 00-00-2011			
4. TITLE AND SUBTITLE Joint Counter Radio Controlled IED Electronic Warfare (CREW) Program		5a. CONTRACT NUMBER			
		5b. GRANT NUMBER			
		5c. PROGRAM ELEMENT NUMBER			
6. AUTHOR(S)		5d. PROJECT NUMBER			
		5e. TASK NUMBER			
		5f. WORK UNIT NUMBER			
7. PERFORMING ORGANIZATION NAME(S) AND ADDRESS(ES) Assistant Program Manager International CREW Systems,PMS 408 EOD/CREW ,Indian Head,MD,20640-5070		8. PERFORMING ORGANIZATION REPORT NUMBER			
9. SPONSORING/MONITORING AGENCY NAME(S) AND ADDRESS(ES)		10. SPONSOR/MONITOR'S ACRONYM(S)			
		11. SPONSOR/MONITOR'S REPORT NUMBER(S)			
12. DISTRIBUTION/AVAILABILITY STATEMENT Approved for public release; distribution unlimited					
13. SUPPLEMENTARY NOTES Presented during the Coalition Counter IED Summit, at the Coalition Coordination Center, CENTCOM HQ, McDill AFB in Tampa, FL.07 February 2011					
14. ABSTRACT					
15. SUBJECT TERMS					
16. SECURITY CLASSIFICATION OF:			17. LIMITATION OF ABSTRACT Same as Report (SAR)	18. NUMBER OF PAGES 10	19a. NAME OF RESPONSIBLE PERSON
a. REPORT unclassified	b. ABSTRACT unclassified	c. THIS PAGE unclassified			



UNCLASSIFIED

Symphony Counter IED System

- Vehicle mounted programmable Electronic Counter Measures system
- Commercial-Off-The-Shelf (COTS) System
- Developed to provide effective, interoperable and non US Gov't capability to Coalition Forces and Partner Nations



DISTRIBUTION A: public release.

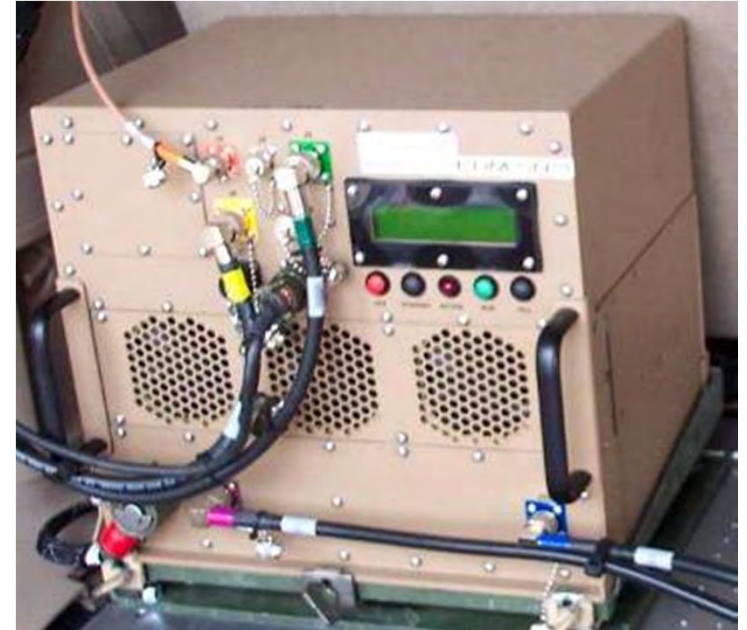
UNCLASSIFIED



UNCLASSIFIED

Symphony Specifications

- Dimensions: 18 x 20 x 24 inches
- Weight: 136 lbs.
- Channels: 4
- 12-24VDC Operation
- Installation:
 - Most Tactical Vehicles
 - Large Commercial “SUV” Vehicles
- Operating Temperature: -20°C to 60°C
- Cooling: Conduction, Forced Air



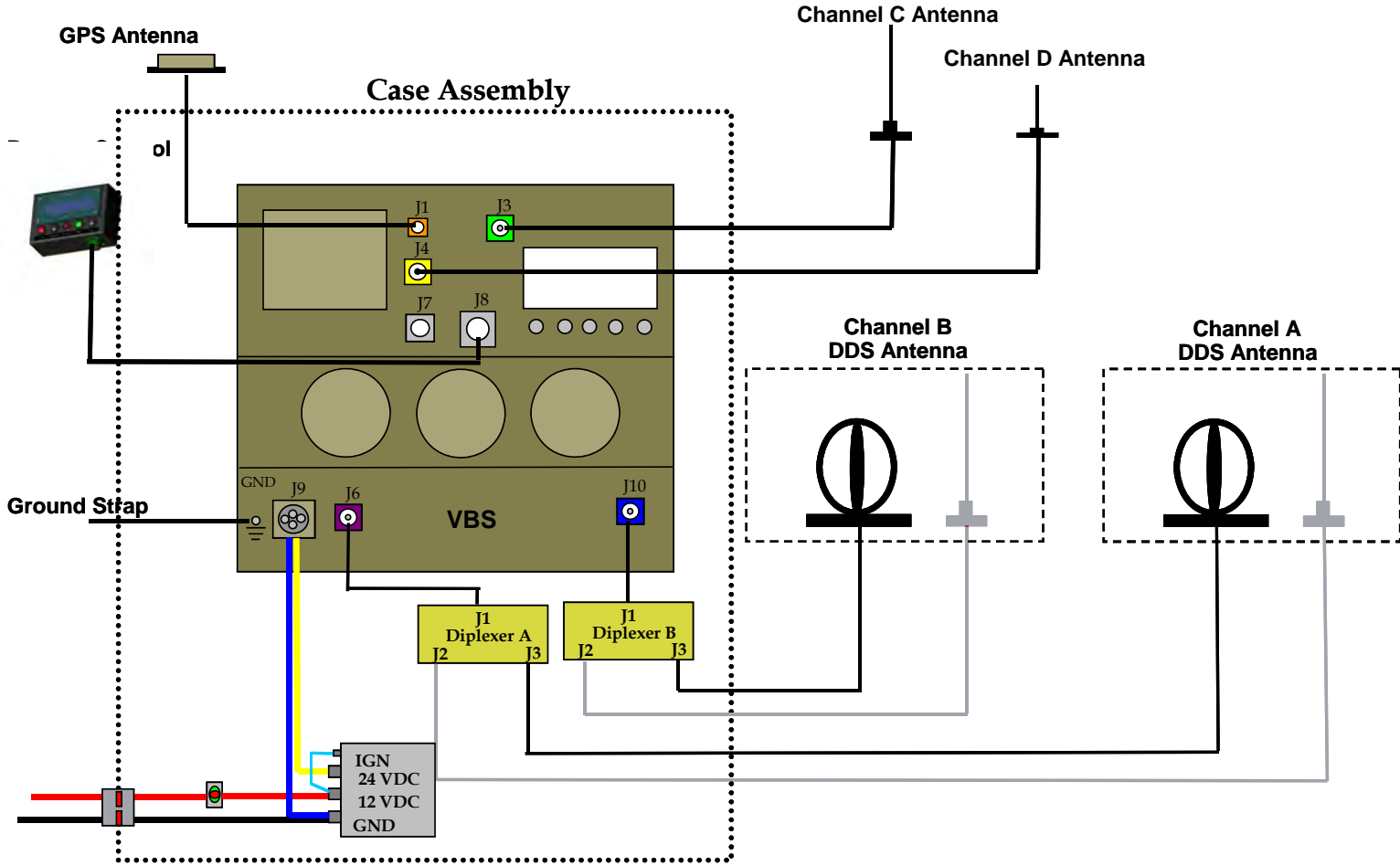
DISTRIBUTION A: public release.

UNCLASSIFIED



UNCLASSIFIED

Functional Diagram



DISTRIBUTION A: public release.

UNCLASSIFIED



UNCLASSIFIED

Antennas and Additional Components

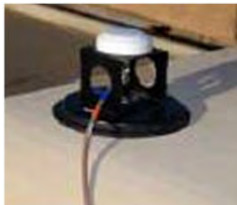
Antenna C

Antenna A/B

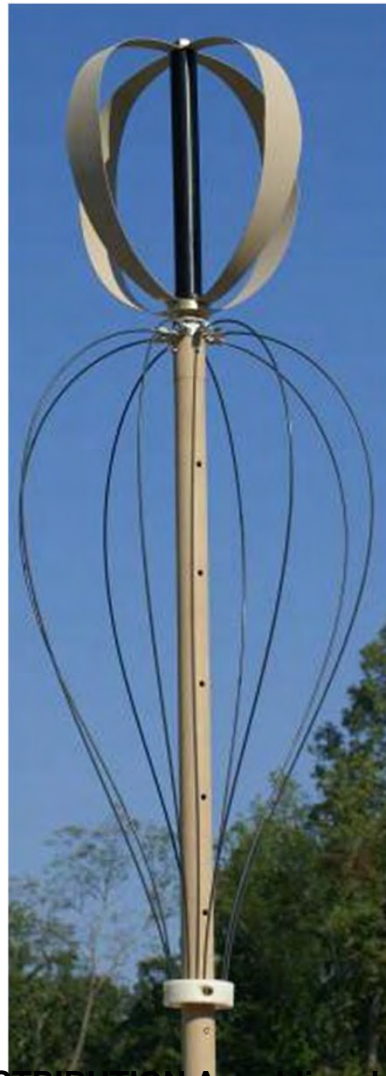
Antenna D



GPS Antenna



Antenna Elevation Kit



DISTRIBUTION A: public release.

UNCLASSIFIED



Fill Loading Device



Field Strength Meter



UNCLASSIFIED

Production and Support

PRODUCTION

- Prime Contractor is Lockheed Martin-
 - Division: Maritime Systems and Sensors (MS2)
- Lockheed Martin has a full production facility
 - High rate capacity facility- - up to 200 systems per week
 - Comprehensive Factory Acceptance Plan (FAT) including high temperature burn in

SUPPORT

- Symphony support structure is modeled after USG CREW programs
 - Post production support includes 3 levels of support:
 - Operator level (O-level), Intermediate Level (I-Level) and Depot Level (D-Level)
 - Hardware and post-production support
 - Includes team support from:
 - Lockheed Martin
 - US Government In-Service Engineering Agent
 - Forward Deployed Field Service Representatives

DISTRIBUTION A: public release.

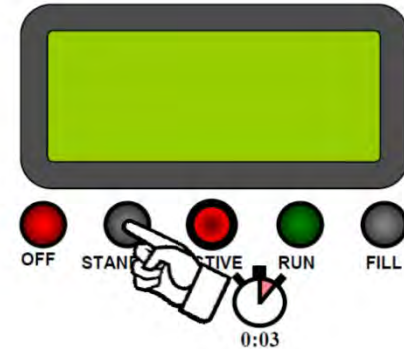
UNCLASSIFIED



UNCLASSIFIED

Training

- Field operator training provided by Field Service Representatives
- Training designed for minimum language dependency
- Translation available



DISTRIBUTION A: public release.

UNCLASSIFIED



UNCLASSIFIED

Procurement

- Symphony is sold via FMS or
- Through Coalition Loaner program in support of OEF

DISTRIBUTION A: public release.

UNCLASSIFIED



UNCLASSIFIED

Points of Contact

Assistant Program Manager International CREW Systems

Ms. Dana Beisner

301.744.5350

NIPRnet: dana.beisner@navy.mil

SIPRnet: dana.beisner@jeodnet.smil.mil



Deputy Assistant Program Manager International CREW Systems

Mr. Adam Barker

812.854.4666

NIPRnet: adam.p.barker@navy.mil

SIPRnet: adam.barker@navy.smil.mil

DISTRIBUTION A: public release.

UNCLASSIFIED



UNCLASSIFIED



Questions?

DISTRIBUTION A: public release.

UNCLASSIFIED