



UNITED STATES ARMY TEST AND EVALUATION COMMAND

FCS LUT 3 LVC MS&I Requirements Study

Overview

13 Jan 09



Ken Raab
Study Lead
ATEC-TTS
703-681-0630
Ken.Raab@conus.army.mil

Report Documentation Page

Form Approved
OMB No. 0704-0188

Public reporting burden for the collection of information is estimated to average 1 hour per response, including the time for reviewing instructions, searching existing data sources, gathering and maintaining the data needed, and completing and reviewing the collection of information. Send comments regarding this burden estimate or any other aspect of this collection of information, including suggestions for reducing this burden, to Washington Headquarters Services, Directorate for Information Operations and Reports, 1215 Jefferson Davis Highway, Suite 1204, Arlington VA 22202-4302. Respondents should be aware that notwithstanding any other provision of law, no person shall be subject to a penalty for failing to comply with a collection of information if it does not display a currently valid OMB control number.

1. REPORT DATE 13 JAN 2009		2. REPORT TYPE		3. DATES COVERED 00-00-2009 to 00-00-2009	
4. TITLE AND SUBTITLE FCS LUT 3 LVC MS&I Requirements Study. Overview				5a. CONTRACT NUMBER	
				5b. GRANT NUMBER	
				5c. PROGRAM ELEMENT NUMBER	
6. AUTHOR(S)				5d. PROJECT NUMBER	
				5e. TASK NUMBER	
				5f. WORK UNIT NUMBER	
7. PERFORMING ORGANIZATION NAME(S) AND ADDRESS(ES) U.S. Army Test and Evaluation Command,ATEC-TTS,4501 Ford Ave,Alexandria,VA,22302-1458				8. PERFORMING ORGANIZATION REPORT NUMBER	
9. SPONSORING/MONITORING AGENCY NAME(S) AND ADDRESS(ES)				10. SPONSOR/MONITOR'S ACRONYM(S)	
				11. SPONSOR/MONITOR'S REPORT NUMBER(S)	
12. DISTRIBUTION/AVAILABILITY STATEMENT Approved for public release; distribution unlimited					
13. SUPPLEMENTARY NOTES Live-Virtual Constructive Conference, 12-15 Jan 2009, El Paso, TX					
14. ABSTRACT					
15. SUBJECT TERMS					
16. SECURITY CLASSIFICATION OF:			17. LIMITATION OF ABSTRACT Same as Report (SAR)	18. NUMBER OF PAGES 17	19a. NAME OF RESPONSIBLE PERSON
a. REPORT unclassified	b. ABSTRACT unclassified	c. THIS PAGE unclassified			



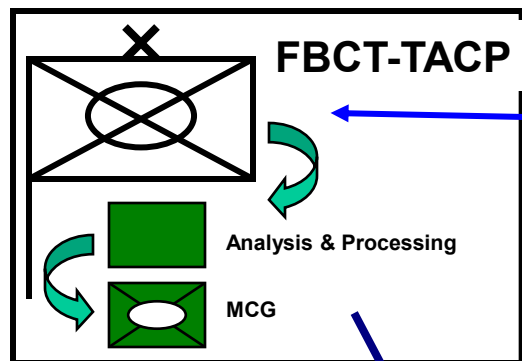
Agenda



- Future Combat Systems (FCS) Limited User Test (LUT) 3 – Phase I and II
- Study Overview
 - ◆ Purpose
 - ◆ Status
 - ◆ Methodology
 - ◆ Gap Analysis Process
 - ◆ Schedule
- Federate Candidates Process
- Questions



FCS IV3 LUT Phase 1



C2V



CL I UAS



T1: ID TGTs
P1: Provide SA

T2: Observe engagements
P2: Evaluate effects

Threat



BLOS Engagement

MCS



T1: Destroy Threat TGTs

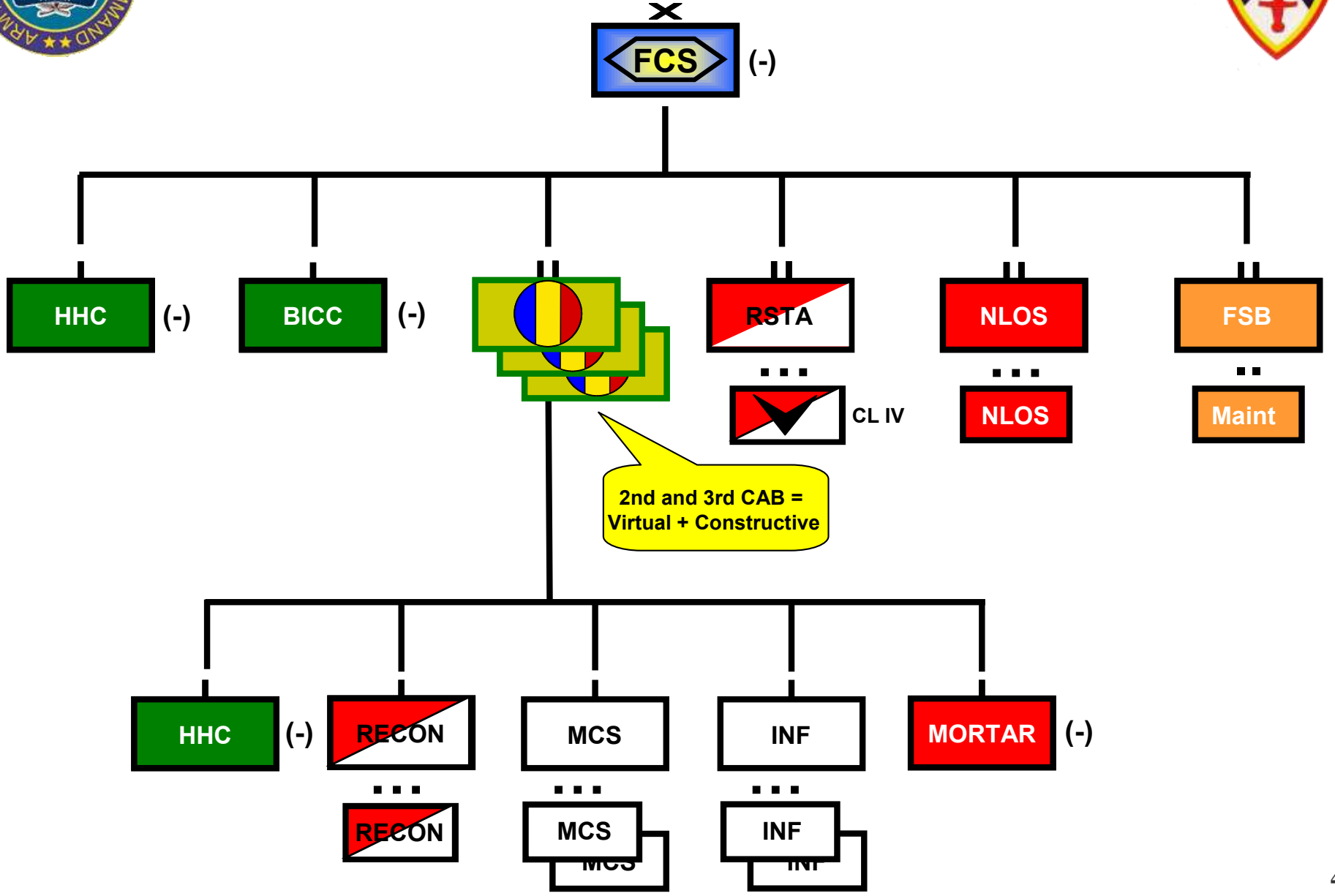
P1: Prevent enemy disruption

T1: Provide C2 for combat units
P2: Assign tactical missions/
facilitate SA

T2: ID TGTs
P2: Initiate tactical response



FCS Core LUT 3





FCS IV3 LUT Phase 2



- A Live Combined Arms Battalion (CAB), some of whose assets – in the context of the overall full spectrum operations scenario – have been cross-attached to a sister CAB in order to weight the FCS BCT's (Brigade Combat Team) main effort
- Live elements of the Brigade Headquarters; Reconnaissance, Surveillance, and Target Acquisition (RSTA) Squadron; Non-Line of Sight-Cannon (NLOS-C) Battalion; and Forward Support Battalion (FSB);
- Virtual FCS Command and Control Vehicles (C2V) which the sister CAB Commanders and their staffs, as well as select parts of the Brigade staff, RSTA Squadron, NLOS-C Battalion, and FSB will fight and control their subordinate elements from using the FCS Battle Command System and/or other C2/ISR (Command and Control/Intelligence Surveillance and Reconnaissance) systems
- Select Constructive federates (e.g., One Semi-Automated Forces (OneSAF), the LSI's Communications Effects Server (CES), etc.) which in some cases will be "manned" by FCS BCT Company/Team Leaders



Study Purpose and Deliverables



- The *purpose* of the Study Team is to:
 - “*Define* the FCS Core Program LUT 3 Live, Virtual, and Constructive (LVC) Modeling and Simulation (M&S) and Instrumentation (MS&I) (to include real-time casualty assessment (RTCA), data collection, reduction and visualization) requirements and the aligned MS&I capabilities to those requirements.”
 - ◆ Types of requirements considering as part of the study:
 - M&S (by Warfighting Function)
 - DCA&I
 - Threat
 - Training (supporting the LUT/Soldier)
 - Federation (interoperability)
- Recommend an architecture to support the LVC MS&I Federation
- *Endstate* of the study is defined by:
 - ◆ A documented (in DOORS) *set of Operational Test and Evaluation requirements.*
 - ◆ A *proposed* LVC MS&I Federation



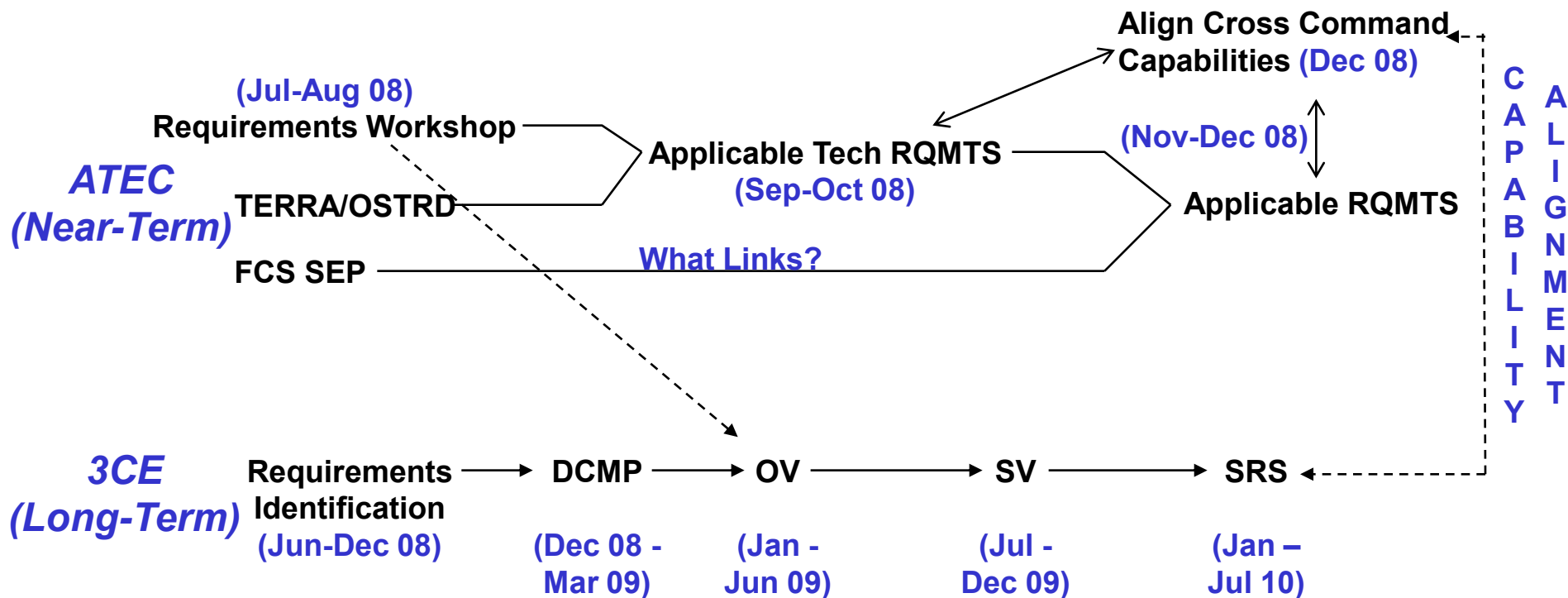
Current Status



- ✓ Kickoff Meeting – 30 May
- ✓ Initial requirements from the Evaluator and Operational Tester
- ✓ Use Case Development Workshop – 17-18 June @Leavenworth
- ✓ M&S Requirements Workshop – 14-18 Jul @Leavenworth
- ✓ Develop a list of current inventory of tools to include “as-funded capabilities” – 15 Sep.
- ✓ DCA&I Requirements Workshop – 19-21 Aug @Bliss
- ✓ Requirements Refinement and SV-4 Mapping Workshop – 2-5 Sep @Leavenworth
- ✓ Develop complete set of initial requirements: M&S and DCA&I – 15 Sep
- ✓ Leverage existing Integration events to conduct bench testing of potential tools, i.e., (Omni Fusion 2008) – Sep/Oct
- ✓ Requirements finalization workshop – 14-17 Oct @Orlando
- ✓ MS&I Tools finalization/identification workshop – 20-24 Oct @Orlando
- ✓ Finalize requirements set and publish Technical Requirements Document (TRD) from DOORS – 31 Oct
- ✓ Workshop to evaluate tools (SMEs) against list of requirements (Gap Analysis) – 3-7 Nov @Leavenworth
- ✓ Analysis of bench testing results and Gap analysis results – Nov / Dec
- ✓ Federation Operational Consideration Workshop – 8-12 Dec @Orlando
- ✓ Federation Architecture Design Workshop – 15-19 Dec @Orlando
- Draft Report – 31 Jan, 2009
- Final Report – Feb 28, 2009



Methodology – Mutually Supporting Lines of Operation



The near-term effort must *establish a foundation and inform the long-term effort* ... the long-term effort must *validate the near-term estimate and further refine resourcing* decisions



Methodology: Near - Term



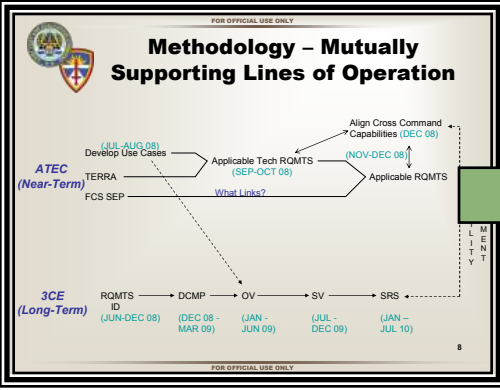
Phase I: Jul – Oct 08

Conduct Background Research



Define and Decompose Use Cases

Aligned metrics and technical requirements ... based on an operational use case context.



Phase II: Sep – Feb 09



Conduct Gap Analysis

Aligned metrics and technical requirements

Identified cross command capability

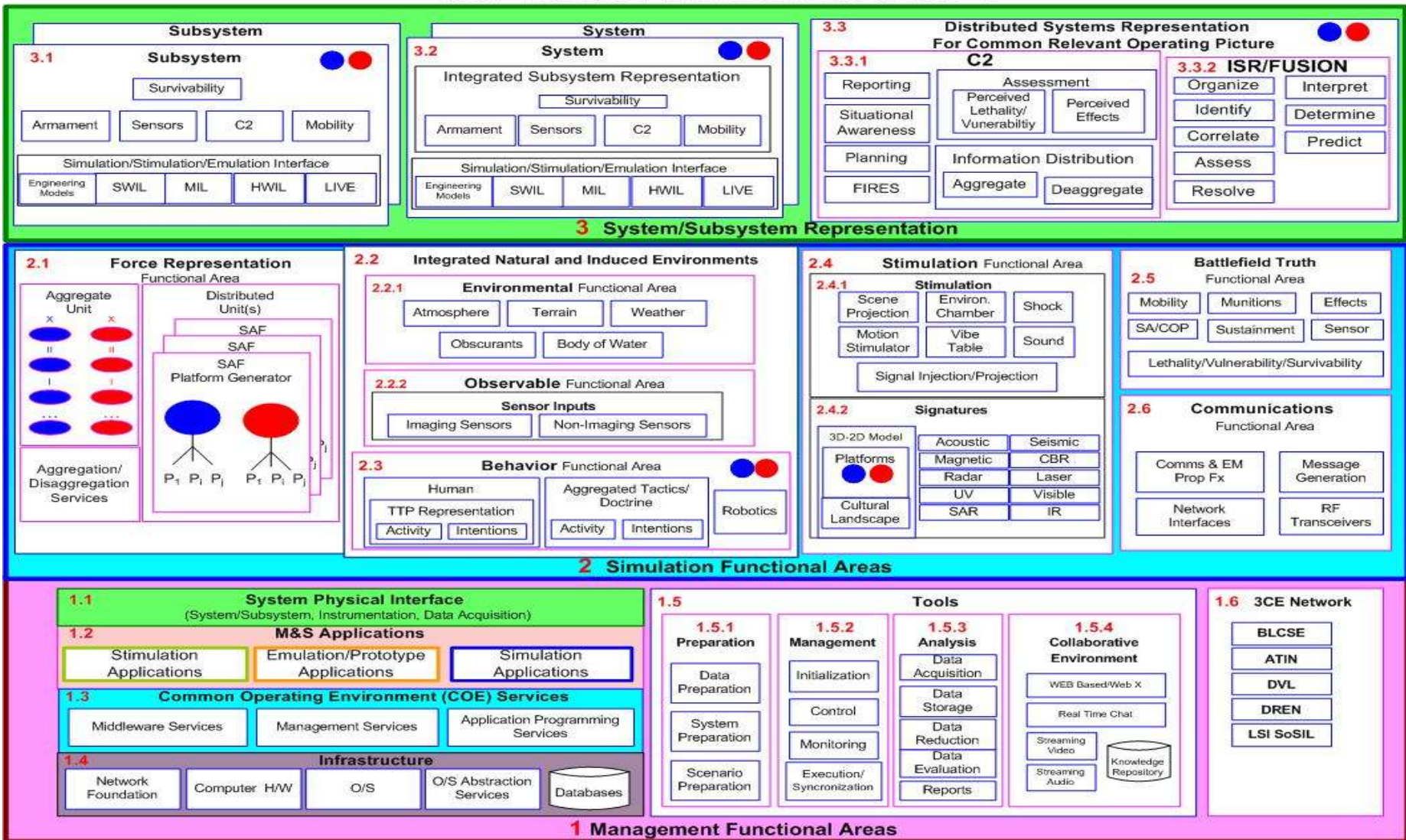
- An initial set of LVC M&S requirements
- An initial set of LVC DCA&I requirements
- An aligned set of capabilities
- Identified gaps
- Recommend solutions



A Technical Framework Approach



3CE M&S Architecture SV-4





Example: Gap Analysis by SV-4 Category



Example: List of MS&I Requirements by SV-4 Category

1, 2, 3, 4	5, 6, 7	7, 8
8	5, 9, 10	11, 12, 13
13, 14, 16	14, 15	14, 15, 16, 17

4

Example: List of MS&I Tools by SV-4 Category

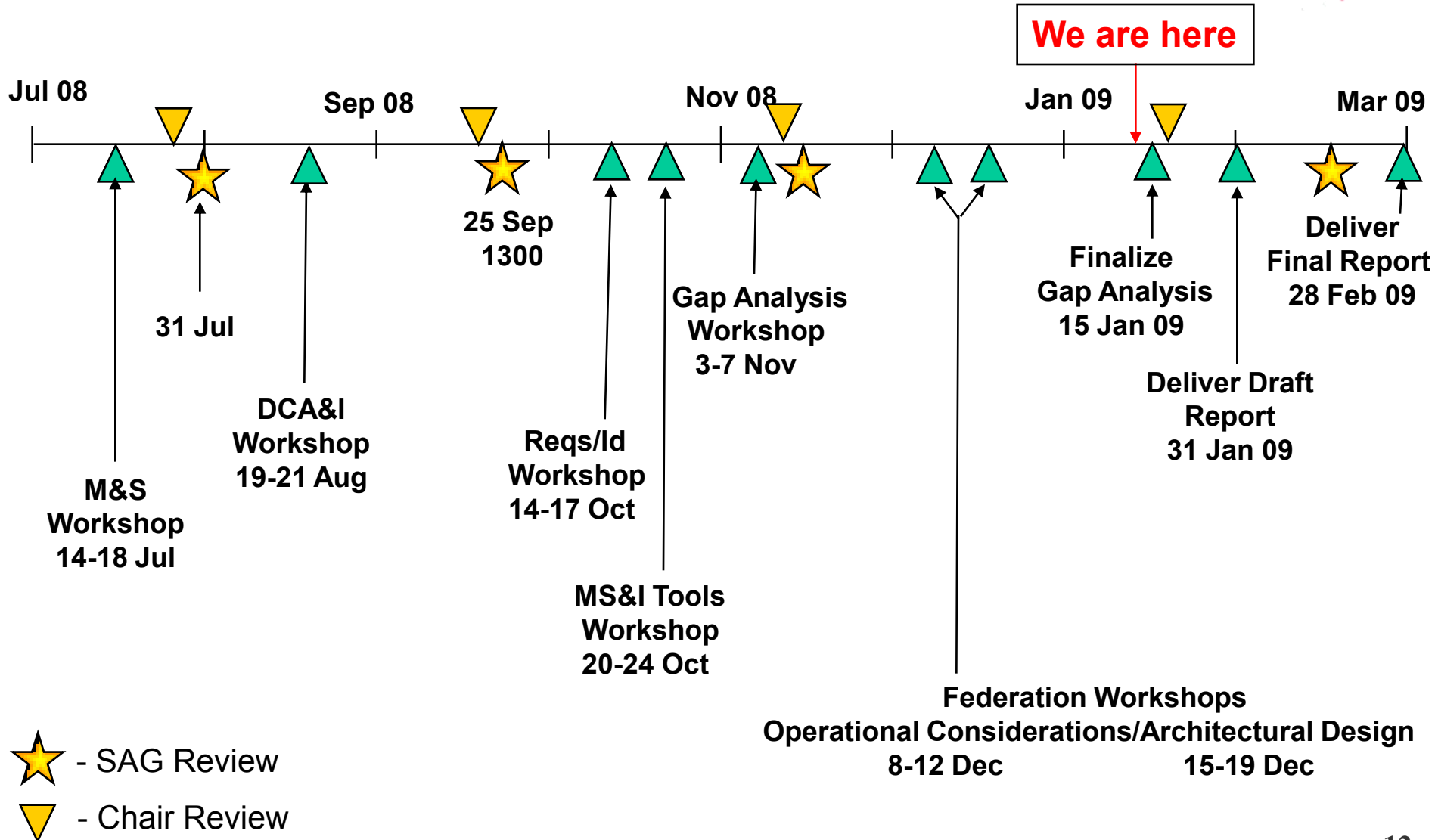
A, B, C	B, C, D	A, B, D
A, C, D	C	B, D
A, D	B, C	A, B, C, D

5

- Do the capabilities of tools A, B, and C satisfy requirements 1, 2, 3, or 4?
 - ◆ To what level of compliance?
 - ◆ To what level of fidelity?
- By requirement, do we attain full compliance?
 - ◆ If so, what tool(s) satisfy(ies) the requirement?
 - ◆ If not:
 - What level of compliance is achieved?
 - Which tool(s) achieve the “best” compliance?



Schedule





UNITED STATES ARMY TEST AND EVALUATION COMMAND

Federate Candidates Process





Campaign Plan

Warfighting Functions (WFF)

MS&I Requirements

Technical/Standards

3CE

Build Federation

DIACAP/V&V Pedigree per Federate

ID Candidate Components

LVC M&S/DCA/Inst/Tactical Systems/
Test Control



Events

FCS LUT 3

TFT/TNG/FDT&E/OT

Other Non-FCS applications and events that support Federates & Integration

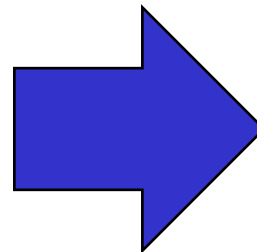


Developing a Core LUT 3 Architecture



Operational Considerations Workshop (8-12 Dec)

- Review Strawman Scenarios
- Force Structure Components (L,V,C)
- Environmental Conditions
- Tactical Network Diagram
- TTPs, Behaviors
- *



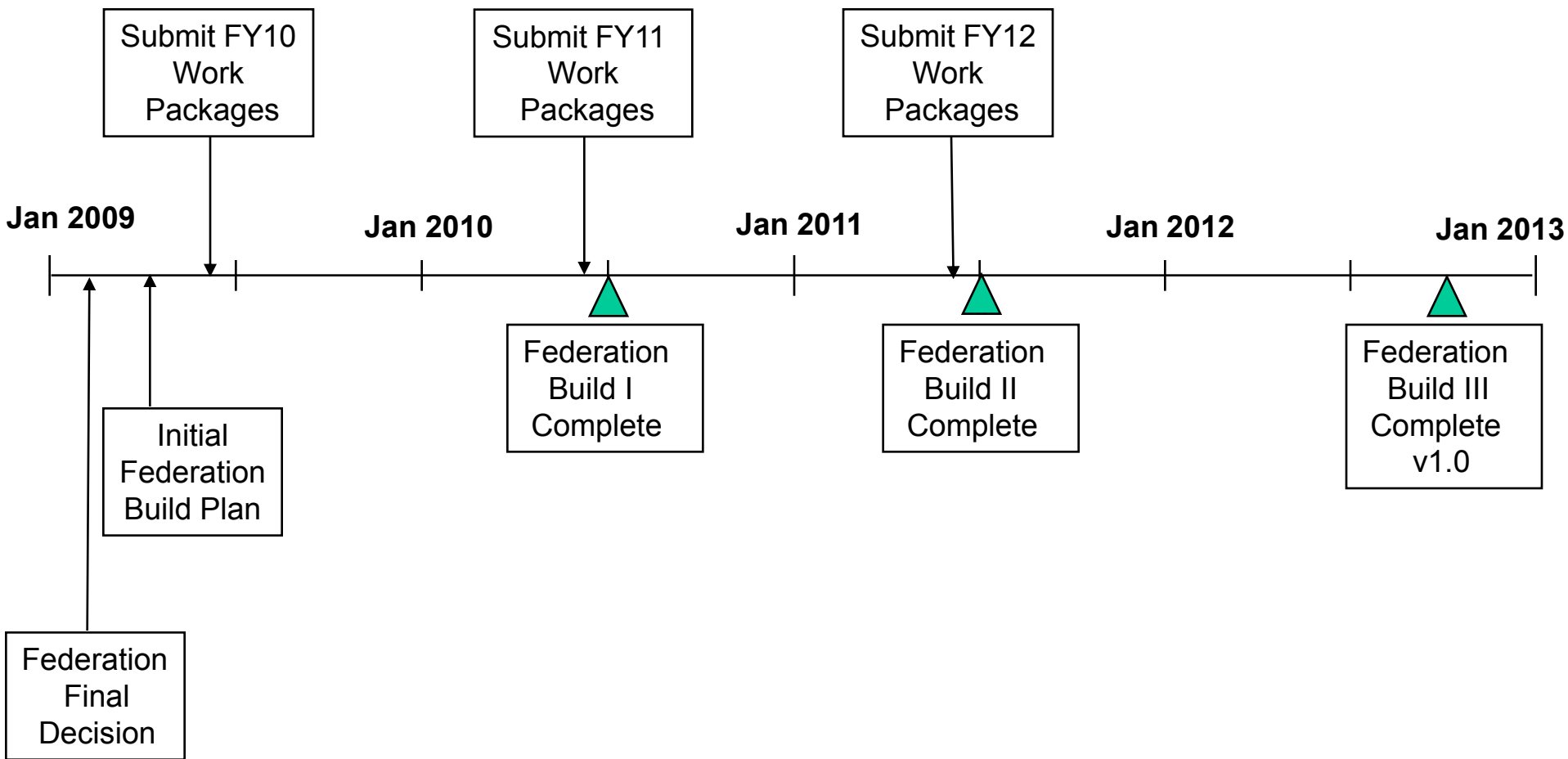
Federation Architectural Design Workshop (15-19 Dec)

- ID Federation Agreement
- Test/Technical Control
- DCA&I Architecture
- Player Support Cells
- Interfaces
- IA Rqmts – DIACAP
- *

These two workshops will enable the initial identification of a solution architecture for Core LUT 3



Long Term Planning Calendar





UNITED STATES ARMY TEST AND EVALUATION COMMAND

Questions

