

Active Noise Control for Acoustic Sensors

Presented at

**DARPA Air-Coupled Acoustic Microsensors Workshop
August 24-25, 1999
Crystal City, VA**

Larry Riddle, Ph.D.

Signal Systems Corporation

877 Baltimore and Annapolis Boulevard, Suite 210

Severna Park, MD 21146

lriddle@signalsystemscorp.com

www.signalsystemscorp.com

410-431-7148



Report Documentation Page

Form Approved
OMB No. 0704-0188

Public reporting burden for the collection of information is estimated to average 1 hour per response, including the time for reviewing instructions, searching existing data sources, gathering and maintaining the data needed, and completing and reviewing the collection of information. Send comments regarding this burden estimate or any other aspect of this collection of information, including suggestions for reducing this burden, to Washington Headquarters Services, Directorate for Information Operations and Reports, 1215 Jefferson Davis Highway, Suite 1204, Arlington VA 22202-4302. Respondents should be aware that notwithstanding any other provision of law, no person shall be subject to a penalty for failing to comply with a collection of information if it does not display a currently valid OMB control number.

1. REPORT DATE 24 AUG 1999	2. REPORT TYPE N/A	3. DATES COVERED -	
4. TITLE AND SUBTITLE Active Noise Control for Acoustic Sensors		5a. CONTRACT NUMBER	
		5b. GRANT NUMBER	
		5c. PROGRAM ELEMENT NUMBER	
6. AUTHOR(S)		5d. PROJECT NUMBER	
		5e. TASK NUMBER	
		5f. WORK UNIT NUMBER	
7. PERFORMING ORGANIZATION NAME(S) AND ADDRESS(ES) Signal Systems Corporation Severna Park, MD		8. PERFORMING ORGANIZATION REPORT NUMBER	
9. SPONSORING/MONITORING AGENCY NAME(S) AND ADDRESS(ES)		10. SPONSOR/MONITOR'S ACRONYM(S)	
		11. SPONSOR/MONITOR'S REPORT NUMBER(S)	
12. DISTRIBUTION/AVAILABILITY STATEMENT Approved for public release, distribution unlimited			
13. SUPPLEMENTARY NOTES DARPA, Air-Coupled Acoustic Microsensors Workshop held on August 24 and 25, 1999 in Crystal City, VA., The original document contains color images.			
14. ABSTRACT			
15. SUBJECT TERMS			
16. SECURITY CLASSIFICATION OF:			17. LIMITATION OF ABSTRACT
a. REPORT unclassified	b. ABSTRACT unclassified	c. THIS PAGE unclassified	UU
			18. NUMBER OF PAGES 10
			19a. NAME OF RESPONSIBLE PERSON

Active Noise Control

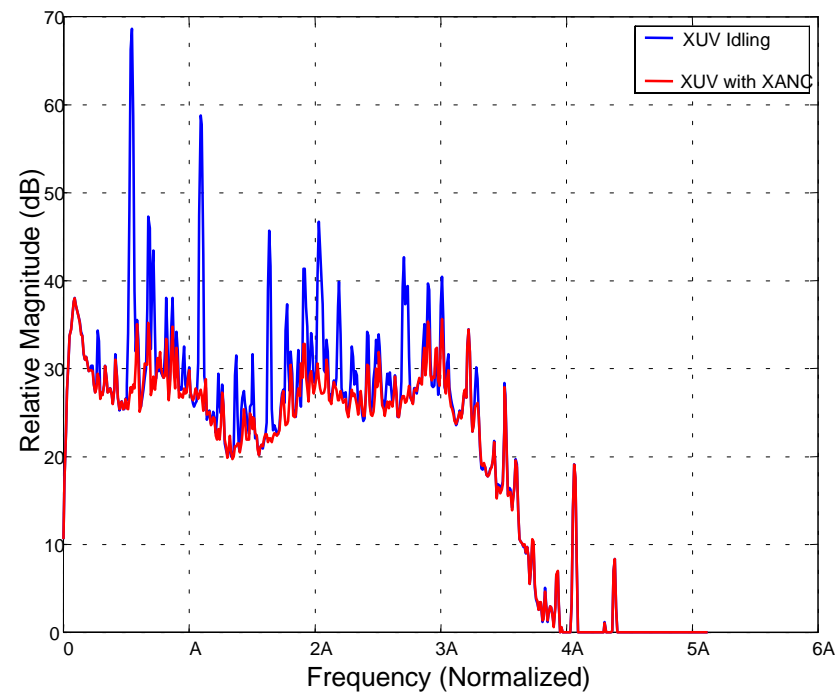
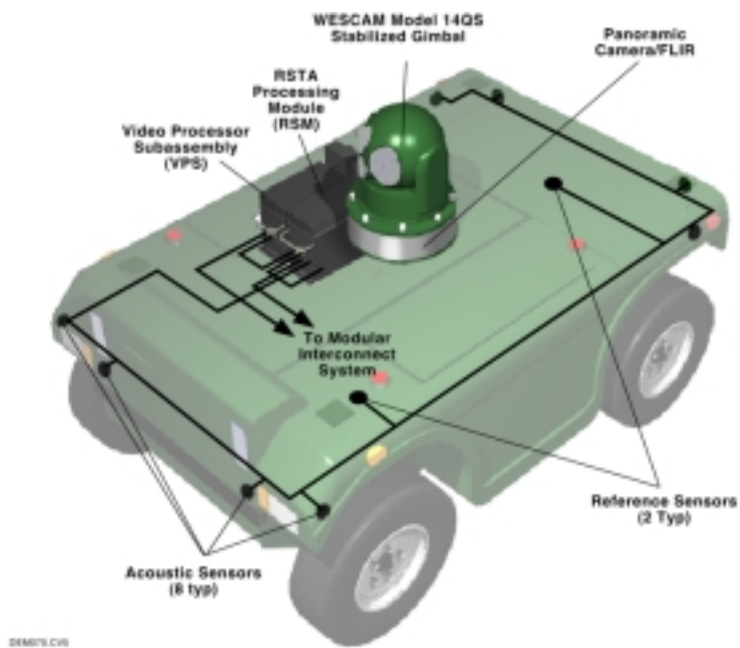
- **Application Areas in Acoustics**
 - Industrial Noise and Vibration Reduction
 - Acoustic Stealth
 - *Acoustic Sensor Interference Rejection (Presentation Emphasis)*
- **Acoustic Sensor Interference Rejection Applications**
 - Unmanned Vehicle Acoustic Sensors
 - *Undersea Weapons*
 - *Unmanned Ground Vehicles*
 - Internetted Unmanned Ground Sensors
 - Surveillance Systems
 - Communications Intelligence
 - Speech Recognition
 - Biomedical Acoustic Sensors
 - Multistatic Active Sonar

Air Coupled Acoustic Microsensor Technology Applications

- **Wideband Self Noise Cancellation**
 - Reduce broad band self-noise by > 15 dB while retaining low far-field signal distortion
 - Develop coherent wind noise reduction techniques
 - Improve wind noise reduction by at least 20 dB using new sensors and adaptive noise control technology when compared to passive foam windscreens
 - Improves surveillance detection and classification performance
- **Acoustic Skin**
 - Conformal acoustic surveillance array
 - Integrated MEMS sensors, electronics and VLSI analog controller
 - Unobtrusive, compact and low cost

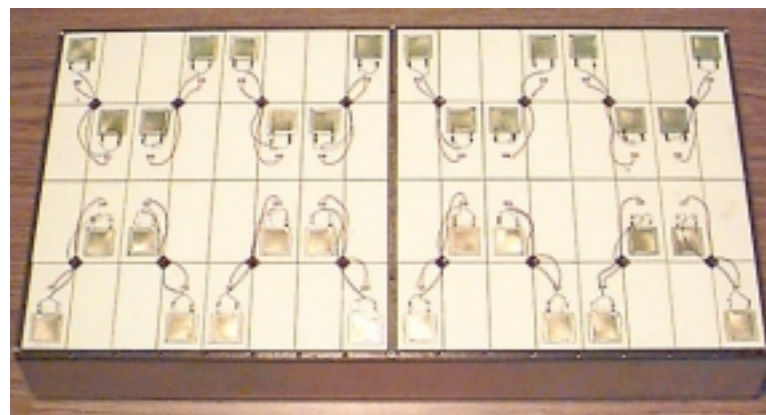
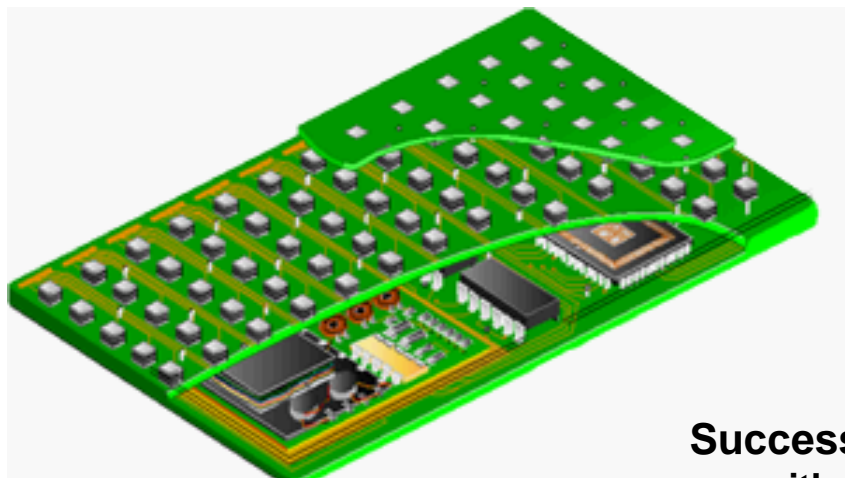
Self Noise Reduction for Acoustic Sensors

Demo III Experimental Unmanned Vehicle (XUV) Built By Robotic Systems Technology



Self noise reduction uses adaptive noise control techniques with microphone arrays and reference accelerometers

Composite Smart Materials (CSM)

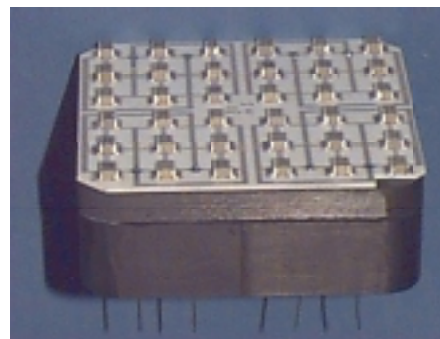


Successfully Demonstrated First Truly Smart Material
with Polyvinylidene fluoride (PVDF) pressure sensors
Micro-machined piezoelectric accelerometers
PMN Actuators
Embedded Electronics

DARPA/ONR Sponsored

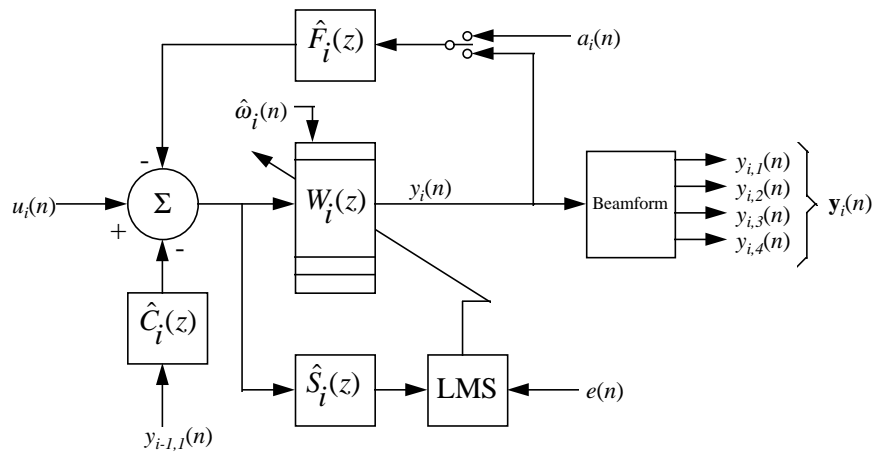
Team Members

Lockheed Martin Advanced Technology Center
Active Signal Technologies
Naval Research Laboratory
Signal Systems Corporation
Virginia Power Technologies
Virginia Tech

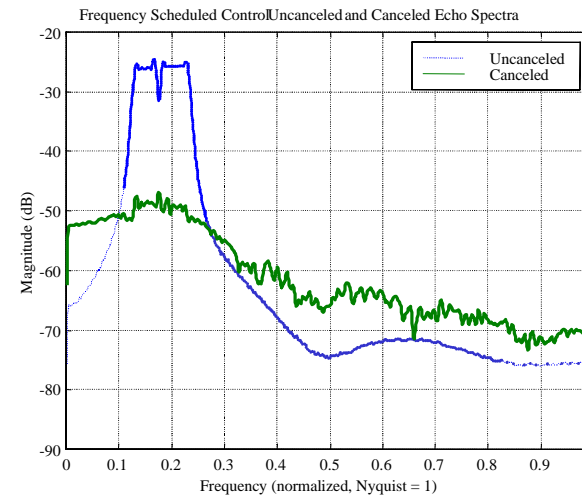
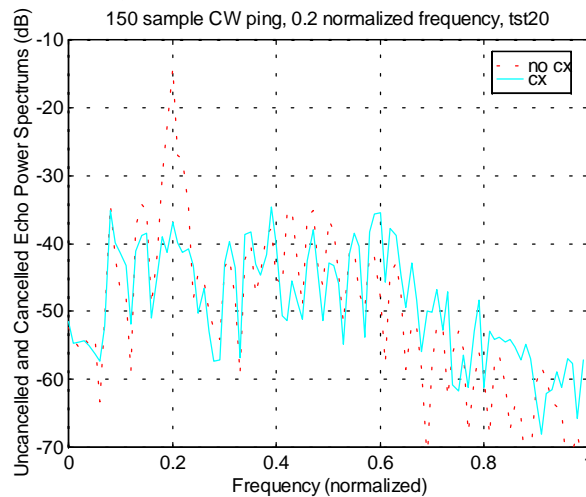


3" Piston PMN
Actuator with
Integrated
Sensor and
Power Amplifier
Electronics

Smart Skins Control Technology for Echo Control



Hierarchical Control Systems Using Frequency Scheduled Control

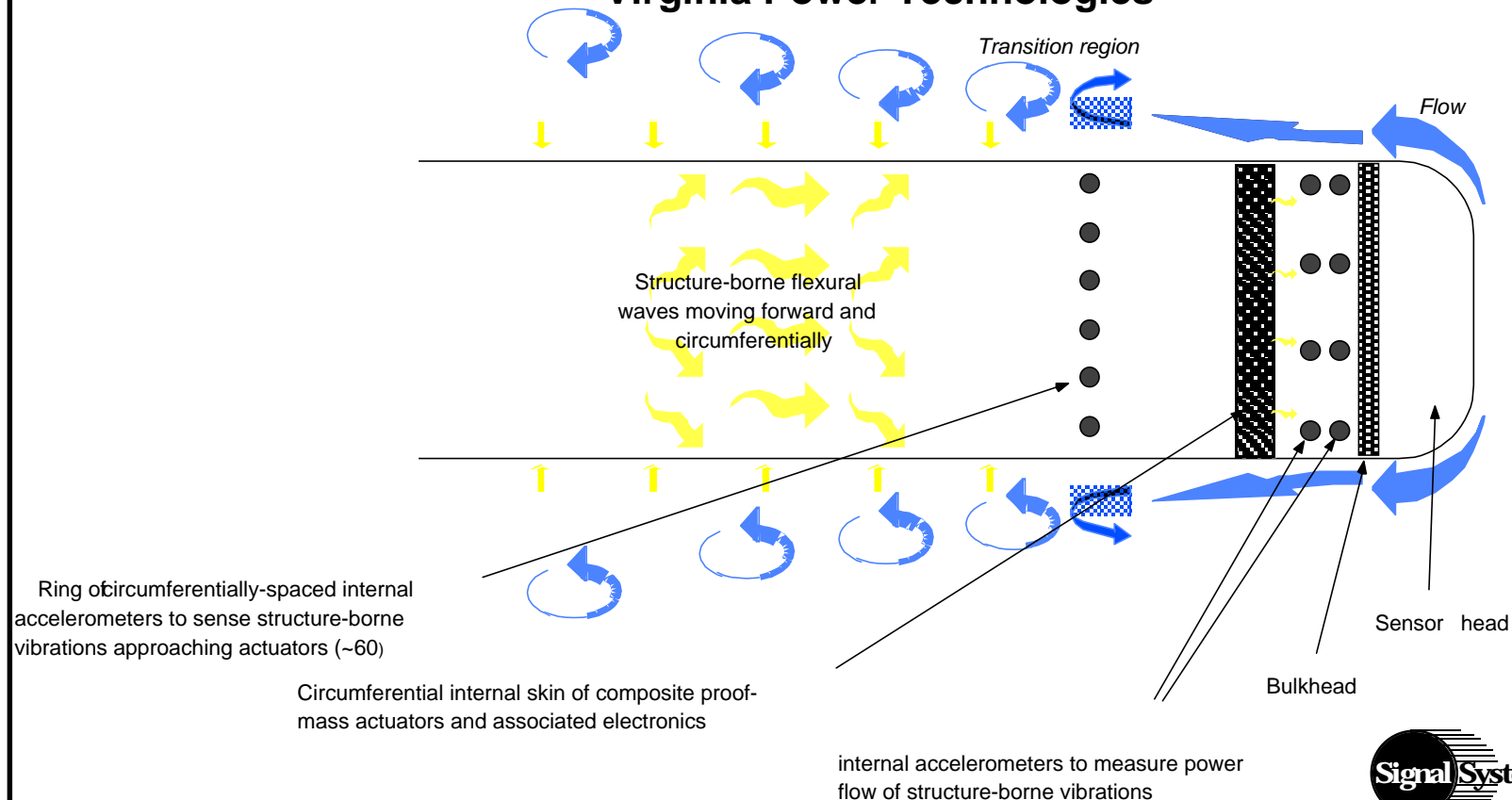


Reference: L. Riddle and J. Murray, 'Smart Structure Active Sonar Echo Cancellation Using Frequency Scheduled Control, Applications of Smart Structures Technologies, San Diego CA March 3-5, 1998.



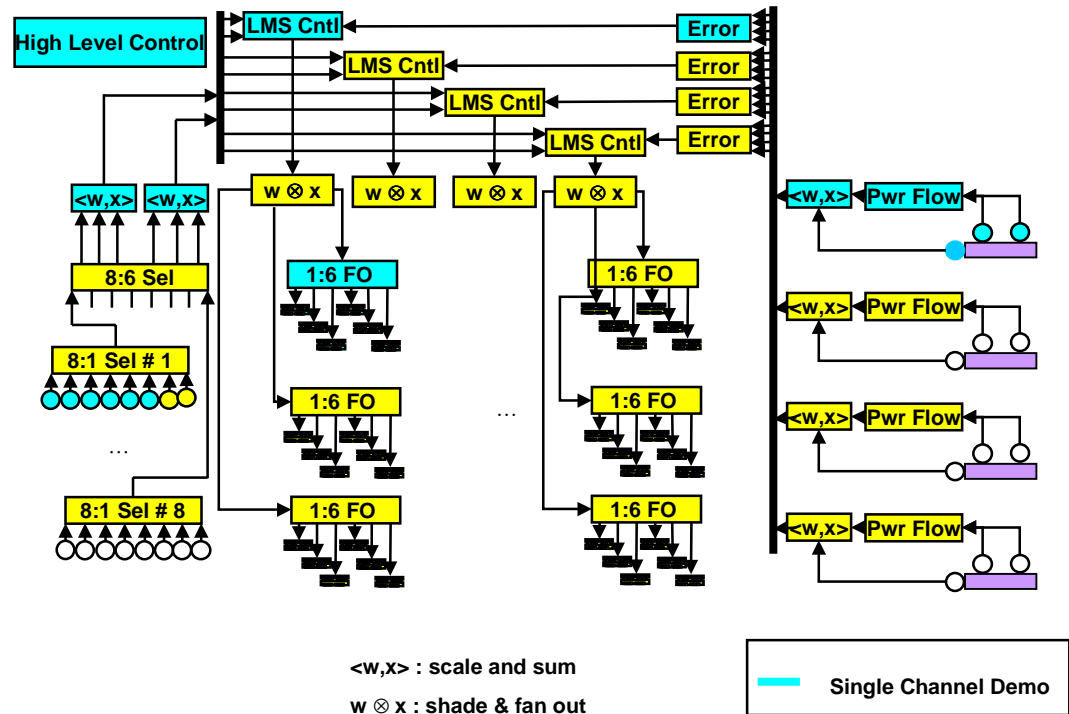
Smart Sleeve Self Noise Power Flow Isolation

DARPA/ONR Sponsored
Lockheed Martin Advanced Technology Center
Active Signal Technology
Signal Systems Corporation
NUWC
Fuller Technology Inc.
Virginia Power Technologies

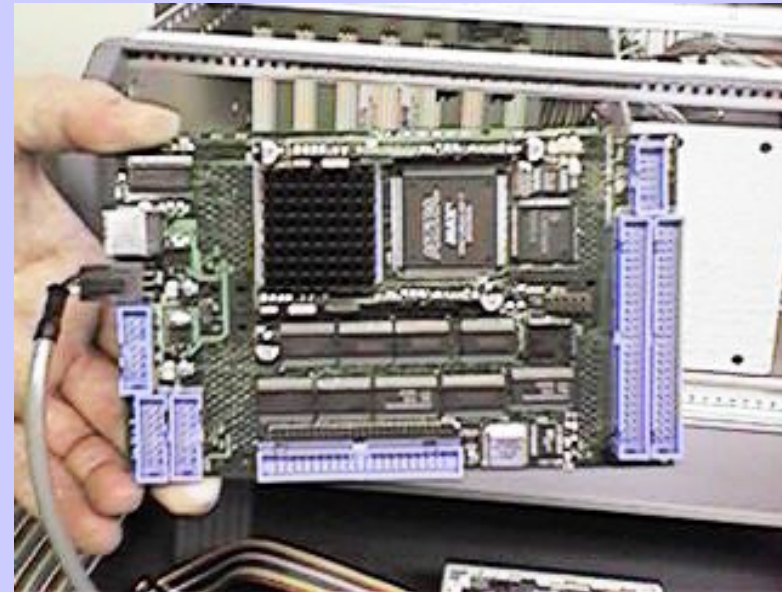
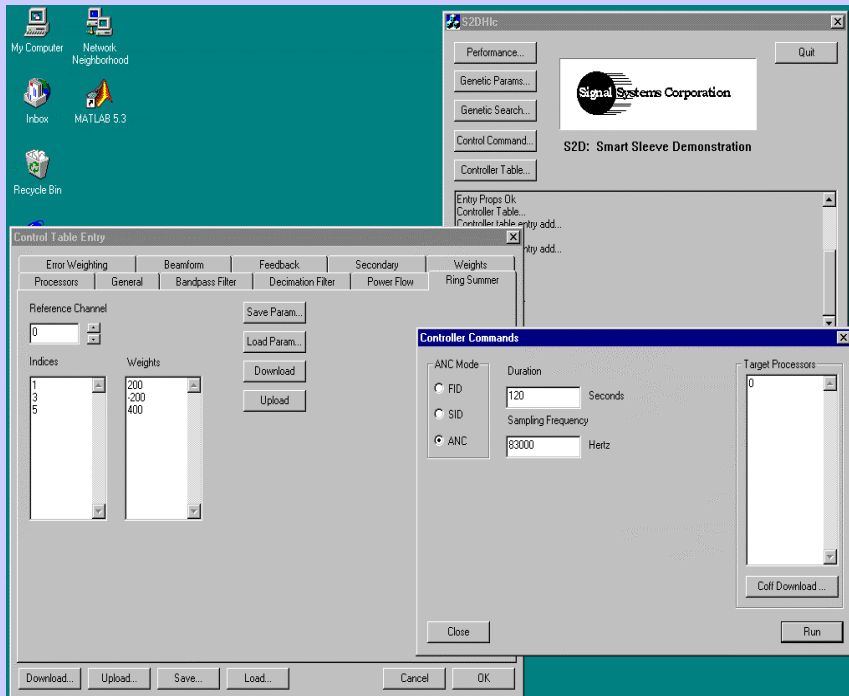


S2D Uses a Distributed Hierarchical Control System to Achieve Smart Material Control

- High speed /wide band central control
- Controller sample rate > 80 khz
- Fan-in/fan-out with gain to interconnect with large numbers of sensor and actuators
- Hardware built to fit as a skin, with distributed processing and no backplane
- Single channel demo is a partial build of the full control architecture
- Genetic algorithm reconfiguration of sensors



DSP Based Controller

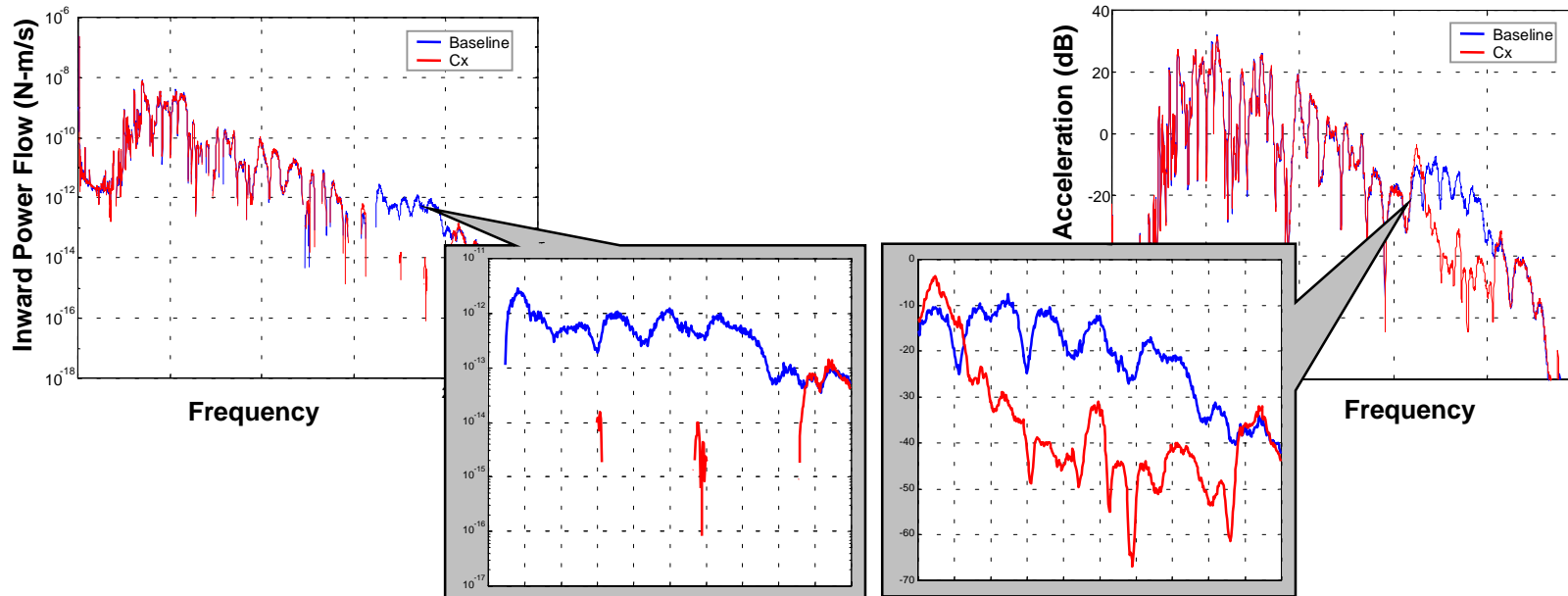


Active Noise Controller SW
>80 kHz sample rate, 2 reference ch
wavenumber error filters
Regulation BW: 3 kHz @ > 10 dB CX
Tunable band selection
In-situ system ID and optimization

Active Noise Control HW
16 Ch. I/O with anti-alias/anti-imposter
filters, 16 bit ADC/DAC, TMS320C62
DSP @ 160 MHz
Compatible with Embedded Skin
Applications

Smart Sleeve Single Channel Test Results

3 Khz Bandwidth Power Flow Control



**Inward power flow measurement
(Regions of net outward flow not plotted)**

**Real time controller error sensor
spectra**

Controller uses SW selectable bands to create frequency band windows in the TBL noise. Power flow measurement verifies proper control operation. 18 dB cancellation performance.