

# TECHNICAL RESEARCH REPORT

## The Dynamics of a Forced Sphere-Plate Mechanical System

*by Dimitrios Hristu*

CDCSS T.R. 2000-1  
(ISR T.R. 2000-14)



*The Center for Dynamics and Control of Smart Structures (CDCSS) is a joint Harvard University, Boston University, University of Maryland center, supported by the Army Research Office under the ODDR&E MURI97 Program Grant No. DAAG55-97-1-0114 (through Harvard University). This document is a technical report in the CDCSS series originating at the University of Maryland.*

Web site <http://www.isr.umd.edu/CDCSS/cdcss.html>

# Report Documentation Page

Form Approved  
OMB No. 0704-0188

Public reporting burden for the collection of information is estimated to average 1 hour per response, including the time for reviewing instructions, searching existing data sources, gathering and maintaining the data needed, and completing and reviewing the collection of information. Send comments regarding this burden estimate or any other aspect of this collection of information, including suggestions for reducing this burden, to Washington Headquarters Services, Directorate for Information Operations and Reports, 1215 Jefferson Davis Highway, Suite 1204, Arlington VA 22202-4302. Respondents should be aware that notwithstanding any other provision of law, no person shall be subject to a penalty for failing to comply with a collection of information if it does not display a currently valid OMB control number.

1. REPORT DATE <b>2000</b>		2. REPORT TYPE		3. DATES COVERED -	
4. TITLE AND SUBTITLE <b>The Dynamics of a Forced Sphere-Plate Mechanical System</b>				5a. CONTRACT NUMBER	
				5b. GRANT NUMBER	
				5c. PROGRAM ELEMENT NUMBER	
6. AUTHOR(S)				5d. PROJECT NUMBER	
				5e. TASK NUMBER	
				5f. WORK UNIT NUMBER	
7. PERFORMING ORGANIZATION NAME(S) AND ADDRESS(ES) <b>Army Research Office,PO Box 12211,Research Triangle Park,NC,27709</b>				8. PERFORMING ORGANIZATION REPORT NUMBER	
9. SPONSORING/MONITORING AGENCY NAME(S) AND ADDRESS(ES)				10. SPONSOR/MONITOR'S ACRONYM(S)	
				11. SPONSOR/MONITOR'S REPORT NUMBER(S)	
12. DISTRIBUTION/AVAILABILITY STATEMENT <b>Approved for public release; distribution unlimited</b>					
13. SUPPLEMENTARY NOTES					
14. ABSTRACT <b>see report</b>					
15. SUBJECT TERMS					
16. SECURITY CLASSIFICATION OF:			17. LIMITATION OF ABSTRACT	18. NUMBER OF PAGES <b>29</b>	19a. NAME OF RESPONSIBLE PERSON
a. REPORT <b>unclassified</b>	b. ABSTRACT <b>unclassified</b>	c. THIS PAGE <b>unclassified</b>			

# The Dynamics of a Forced Sphere-Plate Mechanical System \*

Dimitrios Hristu<sup>†</sup>  
3119 A.V. Williams Bldg.  
University of Maryland  
College Park, MD 20742  
hristu@glue.umd.edu

## Abstract

We study the dynamics and explore the controllability of a family of sphere-plate mechanical systems. These are nonholonomic systems with a five-dimensional configuration space and three independent velocities. They consist of a sphere rolling in contact with two horizontal plates. Kinematic models of sphere-plate systems have played an important role in the control systems literature addressing the kinematics of rolling bodies, as well as in discussions of nonholonomic systems. However, kinematic analysis falls short of allowing one to understand the dynamic behavior of such systems. In this work we formulate and study a dynamic model for a class of sphere-plate systems in order to answer the question: “is it possible to impart a net angular momentum to a sphere which rolls without slipping between two plates, given that the position of the top plate is subject to exogenous forces?”

---

\*This work was funded by ARO grant DAAG 55 97 1 0114.

<sup>†</sup>This work was done while the author was with the Division of Engineering and Applied Sciences at Harvard University, Cambridge, MA.

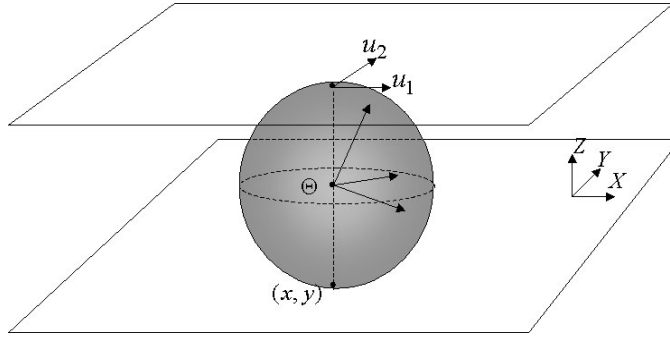


Figure 1: A Sphere-Plate System.

## 1 Introduction

In his influential book on analytical dynamics, E.T. Whittaker [1] brought together many of the significant results in classical mechanics, up to that time. He included a rich collection of problems in rigid body dynamics, some involving nonholonomic systems and rolling motion. More recently, with applications of mathematics branching out to the areas of robotics and object manipulation, such systems have come to the fore yet again, this time with emphasis on control theory. In this work we make a detailed study of what is perhaps one of the simplest nonholonomic mechanical systems, called the sphere-plate system. The system under consideration consists of a sphere rolling between two horizontal plates. The bottom plate is regarded as being fixed, while the top plate is movable in the horizontal plane (see Figure 1). Our purpose is twofold. We want to first formulate a dynamic model for a family of sphere-plate systems and then to use that model in the context of control theory, in order to explore the controllability properties of these systems.

It is intuitively known — and can be proven mathematically — that a sphere can be arbitrarily re-positioned and re-oriented on a plane by rolling (see for example [2], [3], [4]). In this paper we investigate the problem of spinning-up the sphere by moving the top plate. By the term “spin” we understand the rotational velocity of the sphere about the vertical axis through its center. The dynamic model will allow us to define a “zero-translational-velocity submanifold” as the set of system states that correspond to a spinning sphere with

the top plate being stationary. This idea will be formalized in Sec. 2.3. What we find is that a fundamental relationship exists between the inertial symmetry of the sphere and the problem of achieving a desired spin. In that respect, the class of sphere-plate systems considered in this work exhibit the same critical reliance on inertial asymmetry and nonholonomic effects as the recently popular “rattleback top” (see [5], [6], [7]). Specifically, we show that the only spheres to which one can impart a steady spin are those whose geometric centers and centers of mass do not coincide. Although we focus on a specific nonholonomic system, the study of such questions can contribute towards understanding more general spin-up problems [8].

The kinematics of sphere-plate systems are a prototype for more general nonholonomic systems and as such they have been used to demonstrate key ideas in nonlinear control. In [9], [10], optimal control problems were formulated for a simplified kinematic model, sometimes referred to as the “nonholonomic integrator” (see Appendix). More recently, [11] used the same model to illustrate new ideas in pattern generation and approximate inversion. Kinematic models for sphere-plate systems have also received attention in previous works on the control problem of re-positioning and re-orienting rigid bodies under rolling constraint ([2], [12], [13] and others). The ideas of reachability and Lie algebras play a natural role in that setting. In [14], [2] and others, algorithms were presented for deciding the existence of admissible paths between contact configurations of two rolling bodies and for finding such paths. Those algorithms were in turn applied in the areas of robotics and multi-fingered manipulation ([15], [16], [17], [18] and others).

To advance our understanding of sphere-plate systems beyond what is afforded by kinematics, we will draw on [1] which discusses a general approach to the equations of motion for nonholonomic systems (originally due to Hamel), as well as a number of interesting examples relevant to this work. Our approach is consistent with nonholonomic mechanics where the equations of motion are extrema of some energy functional, allowing arbitrary variations on the coordinates and using Lagrange multipliers to effect the constraints. This is in contrast to the vakonomic approach [19] where the energy function is first restricted to a submanifold defined by the constraints and variations are allowed only on that submanifold.

In engineering, one often wants to consider the mechanical system not just from the point of view of analytical mechanics but also from the point of view of control systems. In analytical mechanics the equations of motion for a dynamical system are obtained with emphasis on *describing* the behavior of the mechanical system. In the control systems approach one seeks instead to identify exogenous input signals, obtain input/output formulations and *prescribe* desired system responses [20]. Both of these points of view are relevant to the goals of this work and will be used as appropriate in our discussion.

In Sec. 2 we derive the equations of motion for a class of sphere-plate systems. We show that asymmetry plays a critical role with respect to the controllability and existence of integral invariants for the sphere-plate system, viewed as a control system. By the term “integral invariant” we understand a function that depends only on the state of the control system and has constant value along trajectories regardless of the choice of control inputs. In Sec. 3 we present simulation results that demonstrate some control strategies for achieving spin. The choice of control inputs that produced spin was guided by physical intuition about the mechanical system. It would be desirable to compute inputs that achieved a desired spin and also satisfied some type of optimality condition, such as minimum energy or minimum time, to achieve that spin. That problem remains open.

## 2 A Class of Asymmetric Sphere-Plate Systems

Consider a sphere of unit radius (Figure 2) that rolls without slipping between two plates, both plates being horizontal with respect to some spacefixed inertial frame. It is assumed that both sphere-plate contacts (top and bottom) are maintained at all times. The bottom plate is fixed while the top plate is allowed to move horizontally, acted on by external forces or by a potential field. We will ignore gravity.

The five-dimensional configuration space for the sphere-plate system is  $\mathcal{C} = \mathbb{R}^2 \times SO(3)$ . The phase space is three-dimensional due to the rank-2 rolling constraint that is imposed. We choose coordinates on the space  $\mathcal{C}$  as follows: Let  $\mathcal{F}$  be a bodyfixed inertial frame whose

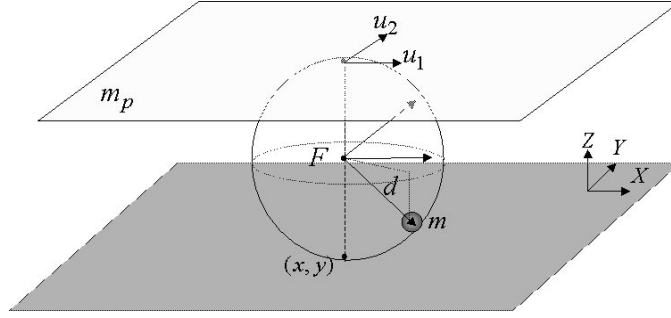


Figure 2: A Class of Sphere-Plate Systems.

origin is fixed at the center of the sphere. The matrix  $\Theta \in SO(3)$  will describe the orientation of the sphere. The columns of  $\Theta$  are the spacefixed coordinates of the unit vectors of  $\mathcal{F}$ . The vector  $x \triangleq [x_1, x_2]^T \in \mathbb{R}^2$  specifies the horizontal position of the center of the sphere. Unless otherwise noted, quantities will be expressed in a spacefixed coordinate frame whose  $z$ -axis is normal to the plates. A potential field  $U(x)$  acts on the top plate, causing it to move horizontally. We will take  $U$  to be differentiable. The sphere-plate system can be considered an autonomous dynamical system with the top plate being influenced by the potential  $U(x)$ . From a control system point of view, we will take a pair of external forces  $u_1, u_2$  acting horizontally on the top plate to be the exogenous inputs, with the potential field  $U$  being identically zero.

In the bodyfixed frame  $\mathcal{F}$  the sphere's center of mass has coordinates  $d \in \mathbb{R}^3$ , with  $|d| = r \leq 1$ . The mass of the sphere is  $m_s > 0$ . The rotational inertia measured about any axis through the center of mass is  $\alpha m_s$  with  $\alpha > 0$ . The mass of the top plate is  $m_p \geq 0$ . Under these assumptions, the rotational inertia of the sphere, expressed in any frame located at its center of mass, is given by the  $3 \times 3$  matrix  $\alpha m_s I$ . We take  $e_i$  to be the  $i^{\text{th}}$  standard basis vector in  $\mathbb{R}^n$  and define the quantities:

$$\begin{aligned} d_t &\triangleq \Theta d - e_3 \\ d_b &\triangleq \Theta d + e_3 \end{aligned} \tag{1}$$

which represent the (spacefixed) vectors from the top and bottom contacts respectively to the sphere's center of mass. In the following, numerical subscripts will be used to indicate

elements of vectors, unless otherwise noted. For example,  $x_2 = \langle x, e_2 \rangle$ .

Armed with the above definitions, we will first obtain the equations of motion for the sphere-plate system assuming the mass of the top plate is  $m_p = 0$ . We will subsequently augment our model to include the inertial effects of the top plate.

## 2.1 Case I: Top Plate with zero Mass ( $m_p = 0$ )

Let  $\omega \in \mathbb{R}^3$  be the angular velocity of the sphere, expressed in spacefixed coordinates. The position and orientation of the sphere evolve according to

$$\begin{bmatrix} \dot{x} \\ 0 \end{bmatrix} = S(\omega)e_3 \quad (2)$$

$$\dot{\Theta} = S(\omega)\Theta \quad (3)$$

where  $S : \mathbb{R}^3 \rightarrow so(3)$  is a transformation that takes vectors in  $\mathbb{R}^3$  into  $3 \times 3$  skew-symmetric matrices<sup>1</sup>. Note that Eq. 2 expresses the rolling constraint which dictates that the instantaneous velocity of the bottom contact should be zero.

Let  $p \in \mathbb{R}^3$  be the spacefixed position of the center of mass of the sphere. If  $KE$  is the sphere's kinetic energy, then the equations of motion for the sphere are [1]:

$$\frac{d}{dt}\left(\frac{\partial KE}{\partial \dot{p}}\right) + \gamma \times \frac{\partial KE}{\partial \dot{p}} = F - \frac{\partial U(x)}{\partial p} \quad (4)$$

$$\frac{d}{dt}\left(\frac{\partial KE}{\partial \omega}\right) + \gamma \times \frac{\partial KE}{\partial \omega} = T - S\left(\frac{\partial U(x)}{\partial p}\right) d_t \quad (5)$$

where  $\gamma \in \mathbb{R}^3$  is the vector of angular velocities of the inertial frame in which we chose to express matters. In our case,  $\gamma = 0$  because the spacefixed frame does not rotate. The vectors  $F, T \in \mathbb{R}^3$  are the external forces and torques (including those forces necessary to

---

<sup>1</sup>For  $x, y \in \mathbb{R}^3$ ,  $x \times y = S(x) \cdot y$  with

$$S(x) = \begin{bmatrix} 0 & -x_3 & x_2 \\ x_3 & 0 & -x_1 \\ -x_2 & x_1 & 0 \end{bmatrix}$$



enforce the nonholonomic constraints) acting on the center of mass of the sphere. Note that we have chosen to superimpose the effects of the potential  $U$  together with those of the exogenous forces  $u$  (implicitly included in  $F$  and  $T$ ) that are acting on the top plate. This is done for convenience since we can subsequently set either  $U$  or  $u$  to zero, thus obtaining the equations of motion for the control system or the autonomous system respectively.

Assuming the mass of the top plate is zero, the kinetic energy for the system is

$$KE = \frac{m_s}{2}(\dot{p}^T \dot{p} + \alpha \omega^T \omega) \quad (6)$$

with the linear velocity of the sphere's center of mass given by

$$\dot{p} = \begin{bmatrix} \dot{x} \\ 0 \end{bmatrix} + S(\omega)\Theta d = S(\omega)d_b \quad (7)$$

Substituting for the kinetic energy and linear velocity (Eq. 6, 7) into the equations of motion (Eq. 4,5) we obtain a set of equations that involve the evolution of the angular velocities:

$$\begin{aligned} m_s (S(\dot{\omega})d_b + S(\omega)^2 \Theta d) &= F - \frac{\partial U(x)}{\partial p} \\ \alpha m_s \dot{\omega} &= T - S\left(\frac{\partial U(x)}{\partial p}\right) d_t \end{aligned} \quad (8)$$

The external forces acting on the sphere do so only through the contacts with the plates. Let  $u, c \in \mathbb{R}^3$  be the external forces acting at the top and bottom contacts respectively. The vector  $c$  corresponds to the forces that are necessary to enforce the rolling constraint. If we express  $u$  and  $c$  in spacefixed coordinates, we can write:

$$F = c + u, \quad T = S(u)d_t + S(c)d_b \quad (9)$$

Because  $u_3$  and  $c_3$  are co-linear and the vectors  $d_t, d_b$ , have the same projection onto the horizontal plane, we can combine the effects of  $u_3$  with  $c_3$  and regard

$$u \triangleq [u_1 \quad u_2 \quad 0]^T \quad (10)$$

to be the external force applied to the top plate.

We combine Eq. 8, 9, into a system of six equations

$$\begin{aligned} m_s (S(\dot{\omega})d_b + S(\omega)^2\Theta d) &= u + c - \frac{\partial U(x)}{\partial p} \\ \alpha m_s \dot{\omega} &= S\left(u - \frac{\partial U(x)}{\partial p}\right) d_t + S(c)d_b \end{aligned} \quad (11)$$

that must be solved for the evolution of  $\omega$ . Eliminating the constraint forces  $c$ , we obtain:

$$(\alpha I - S(d_b)^2) \dot{\omega} = \frac{2}{m_s} S(e_3) \left(u - \frac{\partial U}{\partial p}\right) - S(d_b) S(\omega)^2 \Theta d \quad (12)$$

If we choose to express the sphere's orientation using roll-pitch-yaw angles then for  $\theta \in \mathbb{R}^3$  we can write:

$$\Theta = Rot_z(\theta_3) Rot_y(\theta_2) Rot_x(\theta_1) \quad (13)$$

Without loss of generality, we can take the center of mass to be located along the  $x$ -axis of the bodyfixed frame and write  $d = r e_1$ , where  $r \triangleq |d|$ . In that case, we observe that for  $\alpha > 0$ ,

$$\det(\alpha I - S(d_b)^2) = \alpha(1 + \alpha + r^2 - 2r \sin \theta_2)^2 > 0 \quad (14)$$

This determinant is positive as long as  $r \leq 1$ , so that the center of mass is located inside the sphere. In particular, the matrix  $(\alpha I - S(d_b)^2)$  is symmetric, positive definite for  $\alpha > 0$  and  $r \leq 1$ , with eigenvalues

$$\lambda_1, \lambda_2 = 1 + \alpha + r^2 - 2r \sin \theta_2, \quad \lambda_3 = \alpha. \quad (15)$$

We summarize the equations of motion for the rolling sphere:

$$\begin{aligned} \dot{x} &= \begin{bmatrix} \omega_2 \\ -\omega_1 \end{bmatrix} \\ \dot{\Theta} &= S(\omega)\Theta \\ \dot{\omega} &= (\alpha I - S(d_b)^2)^{-1} \left( \frac{2}{m_s} S(e_3) \left(u - \frac{\partial U}{\partial p}\right) - S(d_b) S(\omega)^2 \Theta d \right) \end{aligned} \quad (16)$$

Alternatively, using the orientation angles  $\theta$ , the equation for the evolution of  $\Theta$  (second of Eq. 16) can be replaced by:

$$\dot{\theta} = K(\theta)\omega \quad (17)$$

with

$$K(\theta) = \begin{bmatrix} \sec \theta_2 \cos \theta_3 & \sec \theta_2 \sin \theta_3 & 0 \\ -\sin \theta_3 & \cos \theta_3 & 0 \\ \cos \theta_3 \tan \theta_2 & \sin \theta_3 \tan \theta_2 & 1 \end{bmatrix} \quad (18)$$

## 2.2 The Sphere-Plate Equations

We will now modify the model presented in the previous Section, to include the effects of a top plate with mass  $m_p > 0$ . For this purpose, we consider the interconnection of the plate and sphere systems. We note that the top plate has a translational velocity which is twice that of the center of the sphere. If  $u_s \in \mathbb{R}^2$  is the horizontal force applied to the sphere by the top plate and  $u_p = [u_1 \ u_2]^T \in \mathbb{R}^2$  is the external force acting horizontally on top plate, then the dynamics of the rolling sphere (Eq. 16) combined with the dynamics of the top plate

$$2m_p \ddot{x} = u_p - u_s \quad (19)$$

lead to the equations of motion for the sphere-plate system:

$$\begin{aligned} \dot{x} &= \begin{bmatrix} \omega_2 \\ -\omega_1 \end{bmatrix} \\ \dot{\Theta} &= S(\omega)\Theta \\ \dot{\omega} &= J^{-1} \left( -S(d_b)S(\omega)^2\Theta d + \frac{2}{m_s} S(e_3) \left( u - \frac{\partial U}{\partial p} \right) \right) \end{aligned} \quad (20)$$

with  $u \triangleq [u_1 \ u_2 \ 0]^T$  and

$$J \triangleq \left( \alpha I - S(d_b)^2 - \frac{4m_p}{m_s} S(e_3)^2 \right) \quad (21)$$

We will call the above set of equations (Eq. 20, 21) the “*sphere-plate equations*”. In the special case where  $U = 0$  we will refer to them as the “*sphere-plate control equations*”. We remark that  $J$  has units of length squared. It can be checked that the matrix  $J$  is symmetric, positive definite for  $\alpha > 0$ .

## 2.3 The Control-System Viewpoint

We are now ready to explore the dynamic model given by the sphere-plate control equations (Eq. 20) and address the question of whether or not it is possible to force the sphere to spin without translational motion by some choice of control inputs  $u_1, u_2$ . In the following we have in mind that there are no potential energy terms (i.e.  $U = 0$ ) so that the control inputs are the only external forces acting on the top plate. We will consider the special case  $m_p = 0$  for the top plate. For a top plate with mass  $m_p > 0$  the discussion is largely similar but with more cumbersome arithmetic. That case will be omitted here. However, the case  $m_p > 0$  will be addressed in our simulation of the sphere-plate system presented in Sec. 3.

If we define the system state to be the vector

$$\chi \triangleq \begin{bmatrix} x \\ \theta \\ \omega \end{bmatrix}$$

with  $\chi \in \mathbb{R}^2 \times TSO(3)$ , then we can re-write the sphere-plate control equations in the form

$$\dot{\chi} = f(\chi) + \sum_{i=1}^2 g_i(\chi)u_i \quad (22)$$

where  $f \in \mathbb{R}^8$  is the drift and  $g_1, g_2 \in \mathbb{R}^8$  the control vector fields.

We are interested in knowing whether or not there exist control inputs that can steer the system from any initial state to any other state, i.e. connect a pair of states by a trajectory in the state-space. For this purpose, we consider the reachable set associated with the sphere-plate control system. For the sake of completeness, we include some of the relevant definitions. Detailed discussions of the following concepts can be found in [3], [4], [21] and others.

**Definition 1** *The reachable set associated with a control system is the set of states that can be reached by the system starting from an arbitrary initial condition and using appropriate control inputs.*

**Definition 2** *A control system*

$$\dot{\chi} = f(\chi) + \sum_{i=1}^m g_i(\chi)u_i \quad (23)$$

with  $\chi$  in an smooth  $n$ -dimensional manifold  $\mathcal{X}$  and  $u \in \mathbb{R}^m$  is controllable if for any two states  $\chi_0, \chi_1$ , there exist a finite time  $T$  and control inputs  $u_i(\cdot)$  defined on  $[0, T]$  so that

$$\chi_0 + \int_{t=0}^{t=T} \left( f(\chi) + \sum_{i=1}^m g_i(\chi)u_i \right) dt = \chi_1$$

**Definition 3** *The controllability Lie algebra associated with the control system of Eq. 23 is the Lie algebra generated by the drift and control vector fields:  $\{f, g_1, \dots, g_m\}_{LA}$ .*

The sphere-plate system evolves on a subset  $\mathcal{D}$  of the ten-dimensional tangent bundle  $T\mathcal{C}$ ,  $\mathcal{C}$  being the five-dimensional configuration space. Because the rolling constraint (Eq. 2) is of rank 2 everywhere,  $\mathcal{D} = \mathbb{R}^2 \times TSO(3)$  is an eight-dimensional submanifold of  $T\mathcal{C}$ . In  $\mathcal{D}$  we define the following two submanifolds:

**Definition 4** *The zero-translational-velocity submanifold  $\mathcal{Z}$  is the manifold*

$$\mathcal{Z} \triangleq \{\chi \in \mathcal{D}, \langle \chi, e_6 \rangle = \langle \chi, e_7 \rangle = 0\} \cong \mathbb{R}^2 \times SO(3) \times S^1$$

**Definition 5** *The configuration submanifold  $\mathcal{K}$  is the manifold*

$$\mathcal{K} \triangleq \{\chi \in \mathcal{Z}, \langle \chi, e_8 \rangle = 0\} \cong \mathbb{R}^2 \times SO(3)$$

The set  $\mathcal{Z}$  contains state values for which the top plate is stationary. It is a six-dimensional submanifold of  $\mathcal{D}$  because the constraint  $\dot{x} = [0 \ 0]$  has rank 2 everywhere on  $\mathcal{D}$ . Similarly,  $\mathcal{K}$  is defined by imposing a rank-1 constraint on  $\mathcal{Z}$ . Therefore  $\mathcal{K}$  is a five-dimensional submanifold of  $\mathcal{Z}$  and is isomorphic to the configuration space  $\mathcal{C}$ . We observe that  $\mathcal{K} \subset \mathcal{Z} \subset \mathcal{D}$ . It is known that  $\mathcal{K}$  is reachable. In other words, the sphere can be arbitrarily re-positioned and re-oriented by appropriate top plate motions: this fact corresponds to the kinematic controllability of the sphere-plate system. In the following we show that *the sphere-plate system is controllable in  $\mathcal{D}$  if and only if  $r > 0$ .*

Because the reachable set associated with a control system is invariant under feedback, we can apply a transformation to the controls, of the type

$$\begin{aligned} u &\mapsto \psi(\chi) + u \\ \psi &: \mathcal{D} \rightarrow \mathbb{R}^2 \text{ continuous} \end{aligned} \tag{24}$$

in order to cancel the drift terms in the evolution of  $\omega_1, \omega_2$ , without altering the controllability properties of the system. This cancellation of the drift terms for  $\omega_1, \omega_2$ , is possible because if  $r \leq 1$ , the  $3 \times 3$  matrix  $J$  that enters the sphere-plate dynamics (last of Eq. 20), is positive definite. Thus, its upper-left  $2 \times 2$  sub-matrix is invertible, allowing us to solve for the inputs that force

$$\dot{\omega}_1 = u_1, \quad \dot{\omega}_2 = u_2$$

Without loss of generality, we choose  $d = r e_1$  for the bodyfixed location of the center of mass relative to the center of the sphere. The resulting expressions for the drift and control vector fields are:

$$f = \begin{bmatrix} \omega_2 \\ -\omega_1 \\ K(\theta)\omega \\ 0 \\ 0 \\ \nu_f \end{bmatrix}, \quad g_1 = \begin{bmatrix} 0 \\ 0 \\ 0 \\ 1 \\ 0 \\ \nu_{g_1} \end{bmatrix}, \quad g_2 = \begin{bmatrix} 0 \\ 0 \\ 0 \\ 0 \\ 1 \\ \nu_{g_2} \end{bmatrix} \tag{25}$$

where

$$\begin{aligned} \nu_f &\triangleq r^2 \cos \theta_2 \frac{\omega^T Q \omega}{\delta} \\ \nu_{g_1} &\triangleq \frac{2r \cos \theta_2 \cos \theta_3 (1 - r \sin \theta_2)}{\delta} \\ \nu_{g_2} &\triangleq \frac{2r \cos \theta_2 \sin \theta_3 (1 - r \sin \theta_2)}{\delta} \\ \delta &\triangleq 2a + r^2 + r^2 \cos(2\theta_2) \end{aligned} \tag{26}$$

and  $Q$  is a rank-2  $3 \times 3$  matrix:

$$Q = \begin{bmatrix} 2 \sin \theta_3 \cos \theta_2 \cos \theta_3 & -\cos \theta_2 \cos(2\theta_3) & -\sin \theta_2 \sin \theta_3 \\ -\cos \theta_2 \cos(2\theta_3) & -2 \sin \theta_3 \cos \theta_2 \cos \theta_3 & \sin \theta_2 \cos \theta_3 \\ -\sin \theta_2 \sin \theta_3 & \sin \theta_2 \cos \theta_3 & 0 \end{bmatrix}. \quad (27)$$

We note that the coordinates  $x$  and  $\theta_1$  are ignorable, i.e. they do not appear on the right-hand side of the equations of motion. This is because we chose  $d = r e_1$  and because we arranged matters so that the rotational inertia of the sphere has the same value about any axis through the sphere's center of mass. As a result, rotation about the axis connecting the geometric center and the center of mass — precisely what  $\theta_1$  measures — leaves the dynamics invariant. By ignoring  $x$  and  $\theta_1$ , one can consider a reduced, five-dimensional version of the sphere-plate control system, with state  $(\theta_2, \theta_3, \omega)$ . We will show controllability for the full eight-dimensional system. We remark that the evolution equation for the angular velocities (last of Eq. 20) appears to be more complicated than the rest of the equations of motion. This seems to be a consequence of choosing to place the sphere's center of mass away from its geometric center. The evolution equation for  $\dot{\omega}$  is simplified greatly if  $r = 0$  instead, however in that case one can check that  $\dot{\omega}_3 = 0$  and the system is uncontrollable.

The equations of motion reveal that the two control vector fields commute and thus they can be thought of as spanning the tangent space of a two-dimensional submanifold in  $\mathcal{D}$ .

**Observation 1** *Let  $f, g_1, g_2 \in \mathbb{R}^8$  be the drift and control vector fields corresponding to the sphere-plate control equations (Eq. 25). Then,  $[g_1, g_2] = 0$  and  $\text{Int}(g_1, g_2)$  is a two-dimensional submanifold of  $\mathcal{D}$ .*

*Proof:* The drift and control vector fields corresponding to the dynamic model of the sphere-plate system are given in Eq. 25. The statement  $[g_1, g_2] = 0$  can be checked directly from the algebraic expressions of  $g_1, g_2$ . Alternatively, notice that the vector fields  $f, g_1, g_2$  are of the form:

$$f(\theta, \omega) = \begin{bmatrix} f_1(\omega) \\ f_2(\theta, \omega) \\ f_3(\theta, \omega) \end{bmatrix}, \quad g_1(\theta) = \begin{bmatrix} 0 \\ 0 \\ h(\theta)e_1 \end{bmatrix}, \quad g_2(\theta) = \begin{bmatrix} 0 \\ 0 \\ h(\theta)e_2 \end{bmatrix} \quad (28)$$

where  $f_1 \in \mathbb{R}^2$ ,  $f_2, f_3 \in \mathbb{R}^3$  and  $\theta$  is the vector of the sphere's orientation angles. The  $3 \times 3$  matrix  $h(\theta)$  enters only in the  $\dot{\omega}$  equation but does not depend on  $\omega$ . From this fact and from the definition of the Lie bracket, we conclude that  $[g_1, g_2] = 0$ , and that all elements in  $\{f, g_1, g_2\}_{LA}$  involving  $[g_1, g_2]$  are identically zero.

The above statement implies that at least locally, there exists a coordinate change under which both  $g_1$  and  $g_2$  are constant, therefore there exists a two-dimensional integral manifold whose tangent space is spanned by  $g_1, g_2$ . We observe that  $g_1, g_2$  are independent and nonzero. Because  $SO(3)$  is parallelizable, we have  $TSO(3) = SO(3) \times \mathbb{R}^3$ . Therefore,  $Int(g_1, g_2)$  is a two-dimensional submanifold of  $SO(3) \times \mathbb{R}^3$ . ■

**Proposition 1** *Consider a sphere-plate control system, with a unit sphere of mass  $m_s$  and a top plate of mass  $m_p$ . Let  $\alpha m_s$  be the sphere's rotational inertia about any axis through its center of mass. Furthermore, let  $d \in \mathbb{R}^3$  be the location of the center of mass relative to the center of the sphere, with  $|d| = r \leq 1$ .*

*For  $x \in \mathbb{R}^2$ ,  $\Theta \in SO(3)$ ,  $\omega \in \mathbb{R}^3$  and  $u = [u_1 \ u_2 \ 0]^T$ , the set of equations*

$$\begin{aligned} \dot{x} &= \begin{bmatrix} \omega_2 \\ -\omega_1 \end{bmatrix} \\ \dot{\Theta} &= S(\omega)\Theta \\ \dot{\omega} &= J^{-1} \left( -S(\Theta d + e_3)S(\omega)^2\Theta d + \frac{2}{m_s}S(e_3)u \right) \end{aligned}$$

*describes the motion of the sphere-plate system. This two-input system is controllable in the eight-dimensional space  $\mathcal{D}$  if and only if  $r > 0$ , i.e. if and only if the sphere's center of mass does not coincide with its geometric center.*

*Proof:* If  $r = 0$  then the center of mass is located on the segment joining the top and bottom sphere-plate contacts. The torque applied to the sphere about the spin axis is identically zero. Therefore the angular momentum of the sphere about the spin axis is conserved and is an integral invariant for the system. We conclude that the system cannot be controllable.



If  $r > 0$ , let  $f(\theta, \omega) \in \mathbb{R}^8$  be the drift and  $g_1(\theta), g_2(\theta) \in \mathbb{R}^8$  be the control vector fields associated with the sphere-plate control equations, after we have used feedback to eliminate the drift terms in the equations for  $\dot{\omega}_1, \dot{\omega}_2$  (see Eq.25 for the case of  $m_p = 0$ ). If the manifold  $\mathcal{D}$  was not reachable, every  $8 \times 8$  matrix  $P$  composed of elements from  $\{f, g_1, g_2\}_{LA}$  would have a determinant vanishing on open sets. Because  $\det(P)$  is an analytic function of the state, it cannot vanish on open sets without being identically zero. The following set of elements of the taken from  $\{f, g_1, g_2\}_{LA}$ :

$g_1, g_2,$

$[f, g_1], [f, g_2],$

$[f, [f, g_1]], [f, [f, g_2]],$

$[f, [f, [f, g_1]]], [f, [f, [f, g_2]]],$

form an  $8 \times 8$  matrix  $P$  whose determinant is non-zero for generic choices of system parameters and state values. We conclude that  $\det(P)$  can only vanish on isolated points, therefore the above eight elements of  $\{f, g_1, g_2\}_{LA}$  span almost everywhere in  $\mathcal{D}$ . This fact combined with Chow's theorem, tell us that the Frobenius manifold spanned by  $\{f, g_1, g_2\}_{LA}$  is locally diffeomorphic to  $\mathbb{R}^8$  which precludes the existence of (non-trivial) integral invariants and shows that  $\mathcal{D}$  is reachable. Reachability implies that there exists a choice of control inputs to steer the system from any initial state to any other state in  $\mathcal{D}$ , thus the sphere-plate system is controllable. ■

The existence of the integral invariant for  $r = 0$  implies that the set of states  $\mathcal{Z} - \mathcal{K}$ , corresponding to non-zero spin, is not reachable from  $\mathcal{K}$ . For  $r > 0$ , the reachable set is the entire manifold  $\mathcal{D}$ . There does not appear to be a compact way to characterize the elements of  $\{f, g_1, g_2\}_{LA}$  and because their symbolic expressions take considerable space we will not include them here. Note that we were able to show controllability for the system using elements taken exclusively from the  $ad_f$ -chain of  $\{f, g_1, g_2\}_{LA}$  (i.e. elements of the form  $ad_f^k g_1$  where  $ad_f g = [f, g]$ ). This brings up the question of whether or not the system can be linearized, with the linearized version being controllable. Although the distribution spanned by  $\{g_1, g_2\}$  is integrable as we have shown (an immediate consequence of  $[g_1, g_2] = 0$ ), it

can be checked that the distribution generated by  $\delta = \{g_1, g_2, [f, g_1], [f, g_2]\}$  is not integrable (for example,  $[[f, g_1], g_2] \notin \text{span}\{\delta\}$ ). Therefore any linearization of the sphere-plate control equations gives rise to an uncontrollable system. Because the integrability test fails after only the first two elements in the  $ad_f$ -chain, namely  $g_1, g_2$ , the sphere-plate system can be thought of as a second-order linear system coupled with a sixth-order “genuinely” nonlinear system.

## 2.4 Towards Generality

Controlling the angular momentum in a sphere-plate system can be viewed as a special case of a more general spin-up problem [8]. Consider the  $n$ -dimensional control system:

$$\dot{x} = \phi(x) \triangleq f(x) + \sum_1^m g_i(x)u_i \quad (29)$$

with the state evolving on a manifold  $\mathcal{X}$  and  $(x, \dot{x}) \in T\mathcal{X}$ . We will call this the “base” control system and use it to define a “derived” control system on  $T^2\mathcal{X}$  by

$$\ddot{x} = f(x) + \sum_1^m g_i(x)u_i \quad (30)$$

with state  $(x, \dot{x}) \in T\mathcal{X}$ . We could then pose the question: “given that the base system (Eq. 29) is controllable, under what conditions is the derived system (Eq. 30) also controllable?” Towards answering this question we can offer the following facts:

**Observation 2** *The control vector fields of the base system (Eq. 29) defined on  $T\mathcal{X}$ , commute with each other. In addition, if the matrix  $[g_1, \dots, g_m]$  has constant rank  $m$  then  $\text{Int}(g_1, \dots, g_m)$  is an  $m$ -dimensional submanifold of  $T\mathcal{X}$ .*

*Proof:* To show  $[g_i, g_j] = 0$  for all  $i, j \in \{1, \dots, m\}$ , use the definition of the Lie bracket and the fact that  $\frac{\partial g_i}{\partial \dot{x}} = 0$ . If the control fields are all independent and of constant rank then Frobenius’ theorem gives us the existence of the integral manifold. ■

In general, once we pass from the base system to the derived system we can no longer rely on the control vector fields to span additional directions by means of Lie bracketing. If

there are  $m$  independent non-zero control fields, the remaining  $2n - m$  directions must be generated by bracketing with the drift  $f(x)$ . In the case of a base system which is linear time-invariant (LTI), the situation is simple:

**Corollary 1** *The LTI system  $\ddot{x} = Ax + Bu$   $x \in \mathbb{R}^n$ ,  $u \in \mathbb{R}^m$  is controllable if and only if the system  $\dot{x} = Ax + Bu$  is controllable.*

*Proof:* The proof follows by the fact that the system  $\ddot{x} = Ax + Bu$  is controllable if and only if the matrix

$$\begin{bmatrix} 0 & B & 0 & AB & 0 & \dots \\ B & 0 & AB & 0 & A^2B & \dots \end{bmatrix}$$

is full rank. ■

### 3 Simulation Results

The evolution of the sphere-plate system was simulated for a sphere of unit radius with mass  $m_s = 2.1kg$  and  $a = 0.5$ . The geometric center of the sphere was initially at  $x = [0 \ 0]^T$ . The mass was located at a distance  $r = 1m$  from the center of the sphere, along the  $x$ -axis of the bodyfixed frame. The mass of the top plate was  $m_p = 0.5kg$ . Two simulations were performed, one to spin-up the sphere starting from rest and the other to increase the angular momentum of an already spinning sphere. In both cases, the top plate was required to be stationary at the beginning and end of the simulation. The sphere-plate control equations (Eq. 20) were used, with the external forces applied to the top plate being the control inputs and no potential field present.

#### 3.1 First Simulation: Spin-up of a Stationary System

The system was initially at rest, with the center of mass located on the sphere's equator i.e.  $\Theta = I$  or equivalently,  $\theta = 0$ . A constant external force  $u = [0 \ 9]^T N$  was applied to

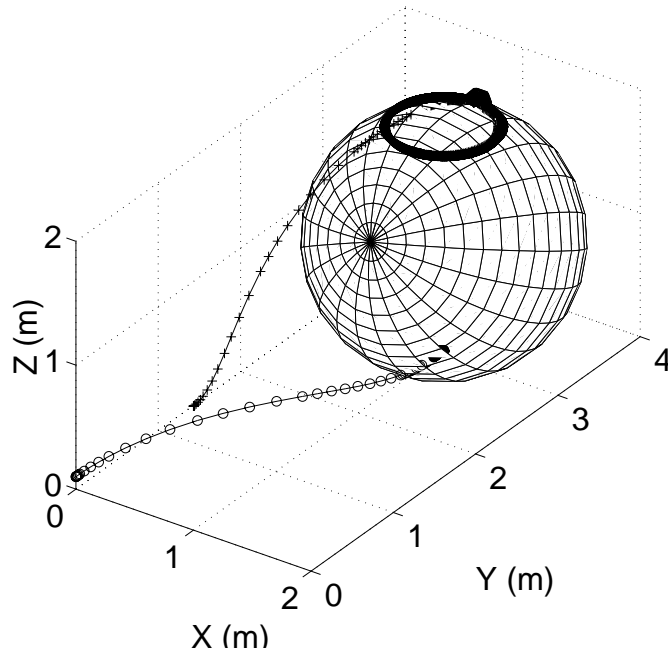


Figure 3: Spacefixed Evolution of Sphere - First Simulation.

the top plate for 1.3 seconds and then the top plate was brought to a stop by a high-gain proportional control that servoed on the translational velocity of the sphere. Figure 3 shows the spacefixed evolution of the sphere. The center of mass is shown as a small dark ball on the surface of the sphere. To avoid occluding the sphere, the top plate was not drawn. The trajectory of the bottom contact is plotted on the  $x - y$  plane. As the sphere rolls forward, the center of mass follows the trajectory shown as a cross-hatched curve. When the top plate comes to a stop at the end of the simulation, the center of mass continues to move with zero latitudinal velocity and a constant longitudinal velocity, corresponding to a steady spin for the sphere. Figure 4 shows the trajectory of the center of mass of the sphere, in a bodyfixed coordinate frame whose origin is at the center of the sphere and whose axes remain parallel to those of the spacefixed frame. The spin angular velocity  $\omega_3$  is shown in Figure 5. Figure 6 shows the time history of the kinetic energy stored in the sphere. Once a constant spin was achieved with the top plate at rest, the control inputs were such that the top plate remained stationary. These forces can be computed from the equations of motion, as the solutions to

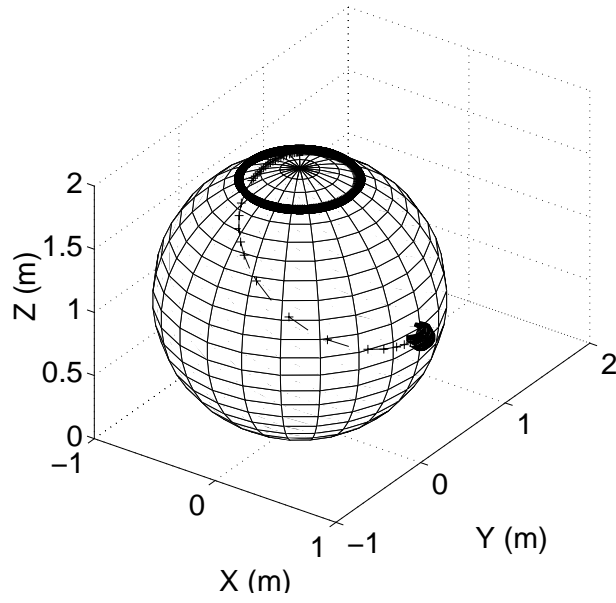


Figure 4: Bodyfixed Evolution of Center of Mass - First Simulation.

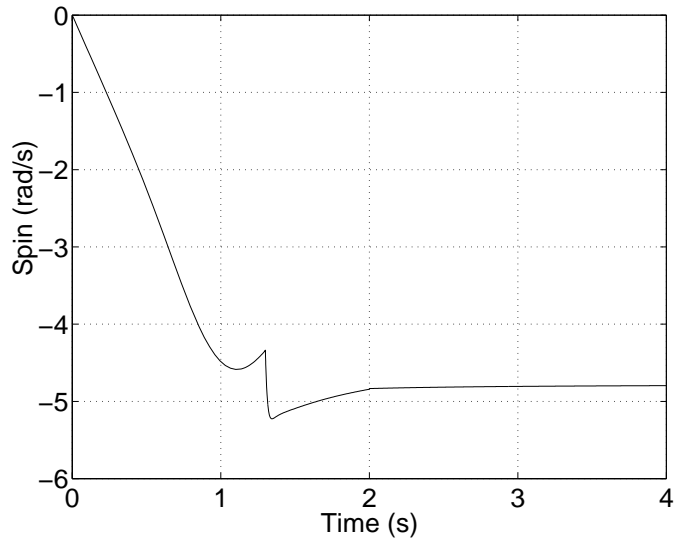


Figure 5: Spin Angular Velocity - First Simulation.

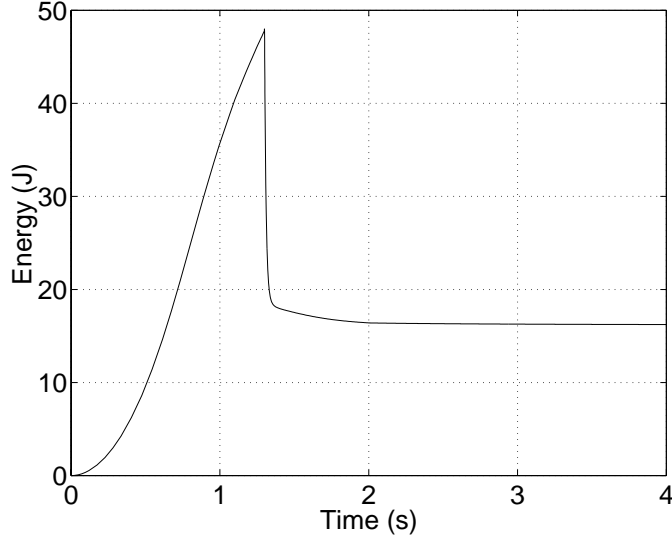


Figure 6: Kinetic Energy of Sphere - First Simulation.

$\dot{\omega}_1 = \dot{\omega}_2 = 0$ . They are:

$$u_1 = -m_s \omega_3^2 \frac{(1 + \sin \theta_2)}{2} \cos \theta_2 \cos \theta_3 \quad (31)$$

$$u_2 = -m_s \omega_3^2 \frac{(1 + \sin \theta_2)}{2} \cos \theta_2 \sin \theta_3 \quad (32)$$

### 3.2 Second Simulation: Increasing the System's Angular Momentum

A second simulation was performed to show an example of increasing the angular momentum of an already spinning sphere. The inertia parameters were unchanged from the previous simulation. The initial conditions were  $\theta(0) = 0$  and  $\omega(0) = [0 \ 0 \ 2]^T rad/s$ .

The strategy used to increase the energy associated with the spinning sphere was motivated by physical intuition: With the top plate at rest, the control inputs of Eq. 31,32 will keep the top plate stationary, (i.e.  $\dot{\omega}_1 = \dot{\omega}_2 = 0$ ). In that case, the sphere will remain in the same horizontal position while spinning with a constant angular velocity  $\omega_3$ . While in that situation, we expect to be able to “pump” energy into the system by slightly “leading” the

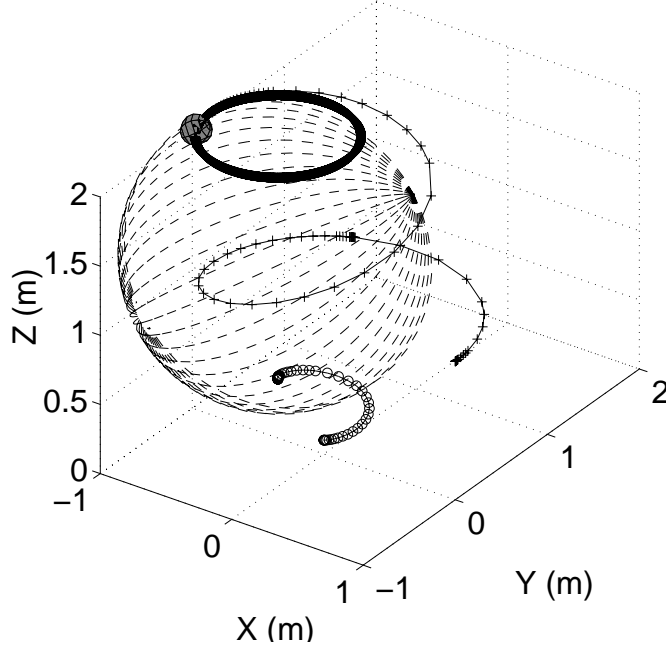


Figure 7: Spacefixed Evolution of Sphere - Second Simulation.

angle of rotation  $\theta_3$ :

$$u_1 = -m_s \omega_3^2 \frac{(1 + \sin \theta_2)}{2} \cos \theta_2 \cos(\theta_3 + \epsilon) \quad (33)$$

$$u_2 = -m_s \omega_3^2 \frac{(1 + \sin \theta_2)}{2} \cos \theta_2 \sin(\theta_3 + \epsilon) \quad (34)$$

In our simulation, we applied  $\epsilon = 0.3rad$  starting at  $t = 1sec$ . At  $t = 3sec$ , the top plate was again brought to rest using the same high-gain proportional control as in the previous simulation. The spacefixed trajectory of the center of mass is shown in Figure 7. The trajectory of the bottom contact is plotted on the  $x - y$  plane. Figure 8, shows the motion of the center of mass in the bodyfixed coordinate frame described in Sec. 3.1. The center of mass changes latitude as it moves, from its initial location on the equator to somewhere closer to the pole. We would expect the spin to increase as a result of the decrease in the effective radius of rotation. Aside from this however, the increased spin was also due to the kinetic energy that was added into the system by the exogenous forces. Figures 9, 10 show

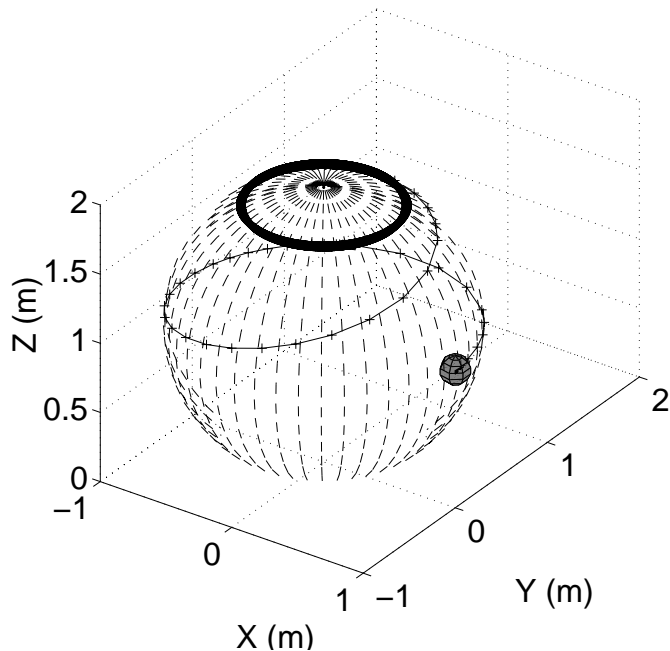


Figure 8: Bodyfixed Evolution of Center of Mass - Second Simulation.

the time histories of the spin and the kinetic energy respectively.

## 4 Conclusions

We have formulated a dynamic model for a family of sphere-plate systems. These are eight-dimensional nonholonomic systems that model a sphere rolling without slipping between two parallel plates. Motivated by some recent questions on more general spin-up problems, we have considered the control problem of spinning the sphere between the two plates by means of exogenous forces applied to one of the plates. The drift and control vector fields associated with the sphere-plate control system generate a Lie algebra that shows the system to be genuinely nonlinear, in the sense that it cannot be approximated by a controllable linear system. The control vector fields commute, as would be the case with any system of the form  $\ddot{x} = f(x) + \sum_1^n g_i(x)u_i$ , with  $x$  in a finite-dimensional manifold  $\mathcal{X}$ . It would be interesting to explore more general situations of this kind in order to find out under what conditions



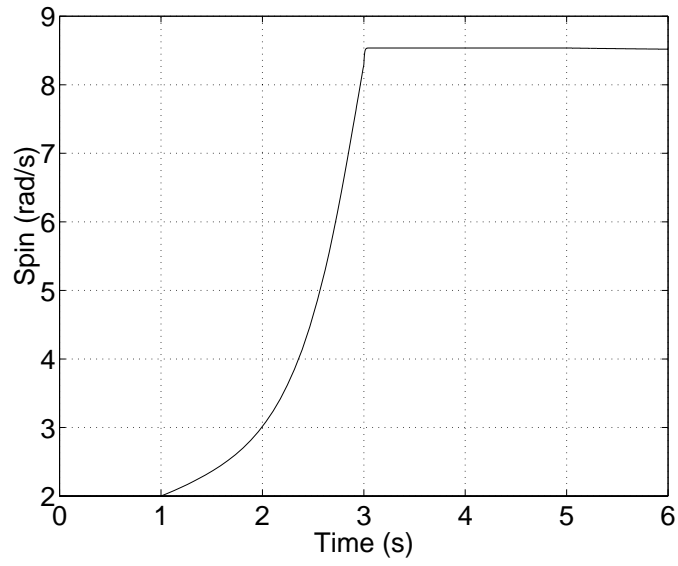


Figure 9: Spin Angular Velocity - Second Simulation.

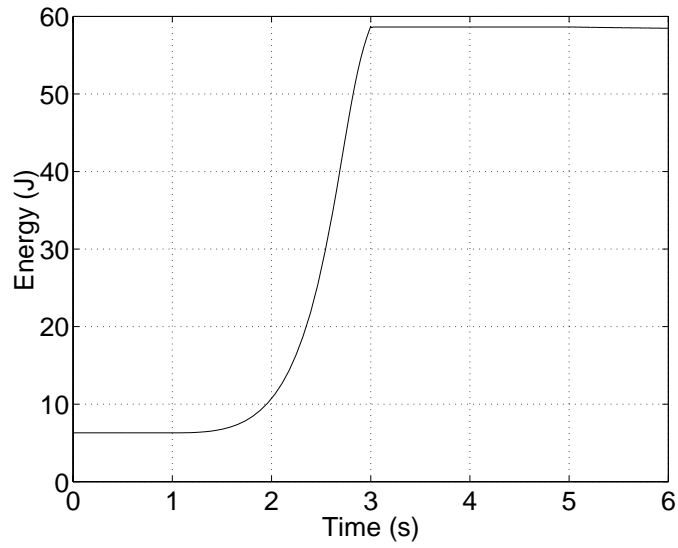


Figure 10: Kinetic Energy of Sphere - Second Simulation.

controllability of the system on  $T\mathcal{X}$  translates to controllability of the system on  $T^2\mathcal{X}$ , as suggested in [8].

The sphere-plate system under consideration is controllable if and only if the sphere's center of mass and geometric center do not coincide. In that case, the system can be excited so as to have a spinning motion by an appropriate choice of inputs. A sphere-plate system without this inertial asymmetry has an integral invariant associated with the angular momentum of the sphere. We have presented two control strategies for altering the angular momentum of the sphere, starting from rest or from a constant spin. Although we were able to find inputs that produced a steady spin for the sphere, the problem of finding optimal controls (in the sense of minimizing the integral of  $u^T u$  or some other cost functional) is still open. The presence of drift and the lack of a compact characterization for the elements of the controllability Lie algebra make this problem a good candidate for applying some type of learning algorithm in order to obtain useful and efficient control inputs.

## Appendix

Kinematic models for the sphere-plate system are discussed in [2],[10] and others. Briefly, let  $u, v \in \mathbb{R}$  be the velocities of the top plate, while  $(x, y)$  is the position of the bottom contact relative to some coordinate system fixed on the bottom plate. If  $\Theta \in SO(3)$  describes the orientation of the sphere then the kinematics of the sphere-plate system are

$$\begin{aligned} \dot{x} &= u \\ \dot{y} &= v \\ \dot{\Theta} &= -S \left( \begin{bmatrix} u \\ v \\ 0 \end{bmatrix} \right) \Theta \end{aligned} \tag{35}$$

where  $S : \mathbb{R}^3 \rightarrow so(3)$  is the transformation defined in §2.1.

If  $z$  is the angle of rotation of the sphere about the axis through the top and bottom

contacts then the equations

$$\begin{aligned}\dot{x} &= u \\ \dot{y} &= v \\ \dot{z} &= xv - yu\end{aligned}\tag{36}$$

represent a simplified kinematic model of the sphere-plate system, sometimes referred to as the “nonholonomic integrator” [10]. The following result shows that if we require that the top plate be stationary at  $t = 0$  and  $t = T \geq 0$  then it is not possible to change the sphere’s spin,  $\dot{z}$ .

**Observation 3** *Consider the kinematic model of the sphere-plate system given by Eq. 36. If the sphere’s translational velocity is zero at  $t = 0$  and  $t = T \geq 0$  then  $\dot{z}(0) = \dot{z}(T)$ .*

*Proof:* From Eq. 36 we obtain

$$\ddot{z} = x\dot{v} - y\dot{u} = x\ddot{y} - y\ddot{x}.\tag{37}$$

Because the sphere’s translational velocity is zero at  $t = 0$  and  $t = T$ , we have  $u(0) = u(T) = 0$  and  $v(0) = v(T) = 0$ . Applying integration by parts to Eq. 37 gives:

$$\begin{aligned}\int_0^T \ddot{z} dt &= \int_0^T (x\ddot{y} - y\ddot{x}) dt \\ &= xy|_0^T - \int_0^T \dot{x}\dot{y} dt - yx|_0^T + \int_0^T \dot{x}\dot{y} dt = 0,\end{aligned}$$

or  $\dot{z}(0) = \dot{z}(T)$ . ■

## Acknowledgement

The author would like to thank Prof. R. W. Brockett for his helpful discussions on the subject.

## References

- [1] E.T. Whittaker, *A Treatise on the Analytical Dynamics of Particles & Rigid Bodies*, Cambridge University Press, 4 edition, 1989.
- [2] Z. Li and J. F. Canny, “Motion of two rigid bodies with rolling constraint,” *IEEE Transactions on Robotics and Automation*, vol. 6, no. 1, pp. 62–72, February 1990.
- [3] A. Isidori, *Nonlinear Control Systems*, Springer-Verlag, 1989.
- [4] V. Jurdjevic, *Geometric Control Theory*, Cambridge University Press, 1997.
- [5] D. V. Zenkov, A. Bloch, and J. E. Marsden, “The energy-momentum method for the stability of non-holonomic systems,” *Dynamics and Stability of Systems*, vol. 13, no. 2, pp. 123–65, June 1998.
- [6] A. Garcia and M. Hubbard, “Spin reversal of the rattleback: theory and experiment,” in *Proceedings of the Royal Society of London*, 1988, number 1854 in A, pp. 165–97.
- [7] T.R. Kane and D. A. Levinson, “Realistic mathematical modeling of the rattleback,” *International Journal of Non-Linear Mathematics*, vol. 17, no. 3, pp. 175–86, 1982.
- [8] R. W. Brockett, “Spin-up problems and the corresponding lattice dynamics,” Unpublished, 1998.
- [9] R. W. Brockett, “Control theory and singular riemannian geometry,” in *New Directions in Applied Mathematics*, P.J. Hilton and G. S. Young, Eds. Springer-Verlag, 1981.
- [10] R. W. Brockett and L. Dai, “Non-holonomic kinematics and the role of elliptic functions in constructive controllability,” in *Nonholonomic Motion Planning*, Z. Li and J.F. Canny, Eds., pp. 1–21. Kluwer Academic Publishers, 1993.
- [11] R. W. Brockett, “Characteristic phenomena and model problems in nonlinear control,” in *Proc. of the 13th IFAC World Congress*, 1996, pp. 135–40.
- [12] A. Bicchi, D. Prattichizzo, and S.S. Sastry, “Planning motions of rolling surfaces,” in *Proc. of the 34th IEEE Conference on Decision and Control*, 1995, vol. 3, pp. 2812–17.

- [13] C.S. Cai and B. Roth, “On the planar motion of rigid bodies with point contact,” *Mechanism and Machine Theory*, vol. 21, no. 6, pp. 453–466, 1986.
- [14] D. J. Montana, *Tactile Sensing and the Kinematics of Contact*, Ph.D. thesis, Harvard University, Division of Applied Sciences, 1986.
- [15] J. Kerr, *An Analysis of Multifingered Hands*, Ph.D. thesis, Stanford University Dept. of Mechanical Engineering, 1984.
- [16] D. J. Montana, “The kinematics of contact and grasp,” *International Journal of Robotics Research*, vol. 7, no. 3, pp. 17–32, 1988.
- [17] Z. Li, J. F. Canny, and S. Sastry, “On motion planning for dexterous manipulation, part i: The problem formulation,” in *Proc. of the 1989 IEEE International Conference on Robotics and Automation*, 1989, pp. 775–780.
- [18] A. Cole, J. Hauser, and S. Sastry, “Kinematics and control of multifingered hands with rolling contact,” *IEEE Transactions on Automatic Control*, vol. 34, no. 4, pp. 398–404, Apr. 1989.
- [19] V. I. Arnold, ,” in *Dynamical Systems*, vol. 3 of *EMS*. Springer-Verlag, 1988.
- [20] R. W. Brockett, “Control theory and analytical mechanics,” in *Geometric Control Theory*, C. Martin and R. Hermann, Eds., pp. 1–48. Math. Sci. Press, Brookline, MA, 1977.
- [21] H. Nijmeijer and A.J. Van der Schaft, *Nonlinear Dynamical Control Systems*, Springer-Verlag, 1991.

## List of Figures

1	A Sphere-Plate System. . . . .	2
2	A Class of Sphere-Plate Systems. . . . .	5
3	Spacefixed Evolution of Sphere - First Simulation. . . . .	18
4	Bodyfixed Evolution of Center of Mass - First Simulation. . . . .	19
5	Spin Angular Velocity - First Simulation. . . . .	19
6	Kinetic Energy of Sphere - First Simulation. . . . .	20
7	Spacefixed Evolution of Sphere - Second Simulation. . . . .	21
8	Bodyfixed Evolution of Center of Mass - Second Simulation. . . . .	22
9	Spin Angular Velocity - Second Simulation. . . . .	23
10	Kinetic Energy of Sphere - Second Simulation. . . . .	23