



Firepower Symposium

**Project Manager
Brigade Combat Team**



The Road To The Objective Force "Armaments for the Army Transformation"

COL David Ogg
Project Manager, BCT
COM 810-753-2000
DSN 786-2000
OggD@tacom.army.mil

Mr. Don Howe
GM GDLS Defense Group, LLC
Program Manager
810-826-3757
Don.E.Howe@gm.com



Vanguard For Army Transformation



PM BCT



Report Documentation Page

Report Date 18062001	Report Type N/A	Dates Covered (from... to) -
Title and Subtitle The Road To The Objective Force "Armaments for the Army Transformation"	Contract Number	
	Grant Number	
	Program Element Number	
Author(s) Ogg, David	Project Number	
	Task Number	
	Work Unit Number	
Performing Organization Name(s) and Address(es) TACOM	Performing Organization Report Number	
Sponsoring/Monitoring Agency Name(s) and Address(es) NDIA (National Defense Industrial Association 2111 Wilson Blvd., Ste. 400 Arlington, VA 22201-3061	Sponsor/Monitor's Acronym(s)	
	Sponsor/Monitor's Report Number(s)	
Distribution/Availability Statement Approved for public release, distribution unlimited		
Supplementary Notes Proceedings from Armaments for the Army Transformation Conference, 18-20 June 2001 sponsored by NDIA.		
Abstract		
Subject Terms		
Report Classification unclassified	Classification of this page unclassified	
Classification of Abstract unclassified	Limitation of Abstract UU	
Number of Pages 33		



Army Vision Statement



“The Best Off- the- shelf Technology Available Today, The IBCTs Will Bridge That Operational Shortfall And Help Meet Warfighting And Contingency Needs For The Next Twenty- plus Years. This Interim Force Will Also Serve As The Experimental Vanguard For The Objective Force. It Will Validate Operational And Organizational Concepts, Training And Leader Development Initiatives, And Deployment Scenarios For The Next Nine Years As We Await The Arrival Of The Objective Force.”

We Are Once Again An Army Between The Wars, And Once Again, We Are Challenged To Adjust To Break Old Paradigms. So We Are Transforming To Become Strategically Responsive And Remain Dominant Across The Entire Spectrum Of Military Operations –”

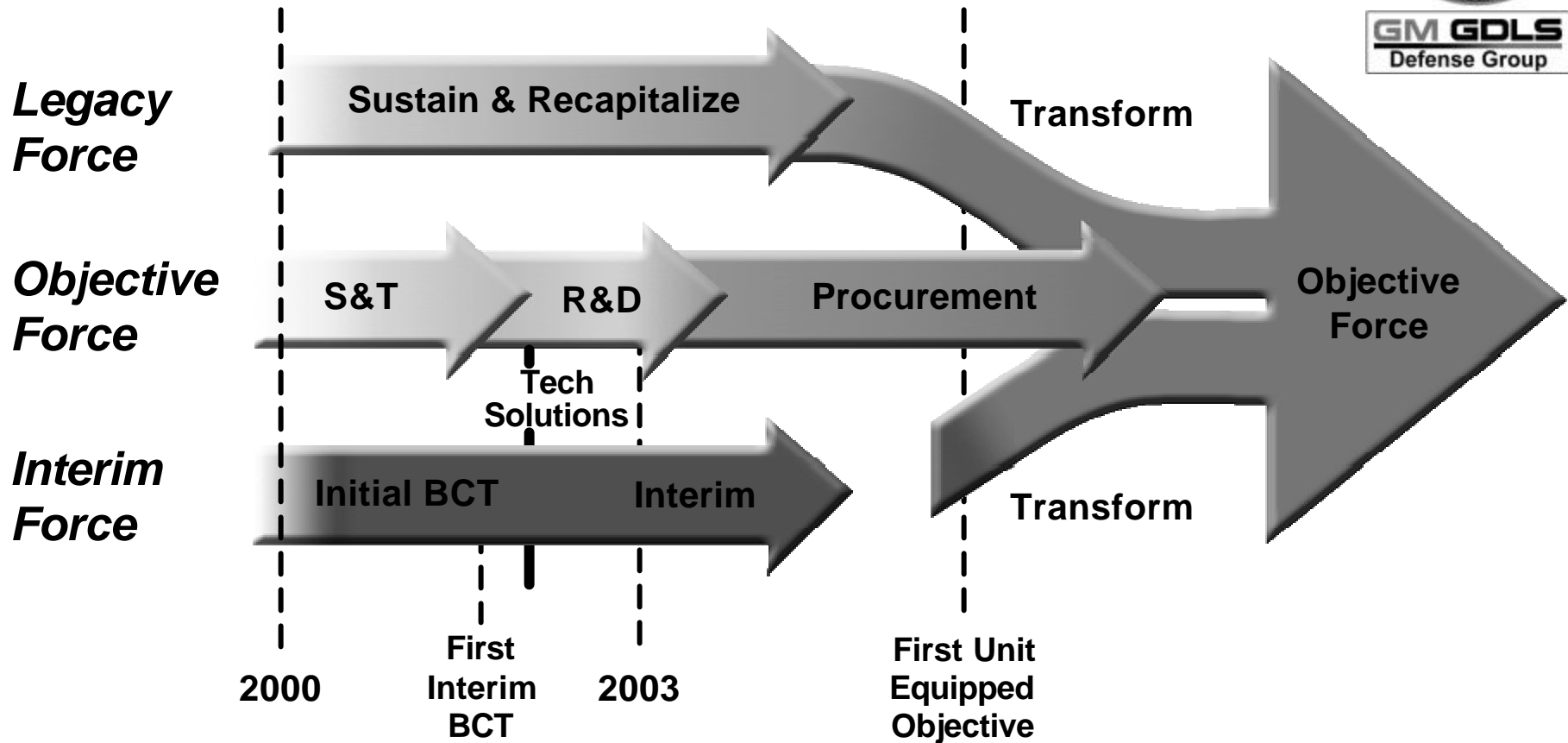
General Eric K. Shinseki
AUSA Mid-Winter Conference
Fort Lauderdale, FL 2 March 01

Vanguard For Army Transformation





The Army Transformation



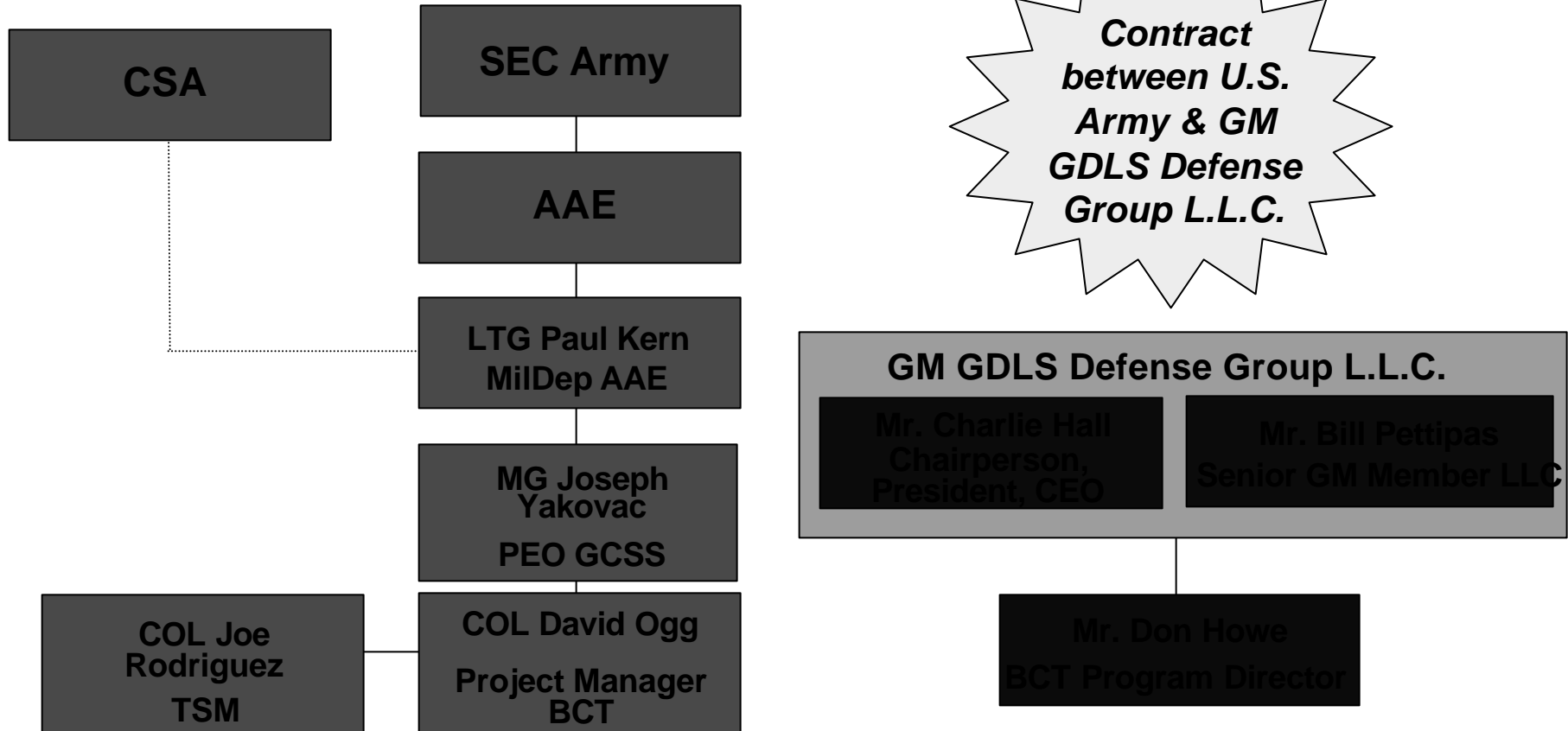
... Responsive, Deployable, Agile, Versatile, Lethal, Survivable, Sustainable

Vanguard For Army Transformation





Organizational Structure GM GDLS Defense Group L.L.C., & ASA(ALT)/PEO/PM



Vanguard For Army Transformation

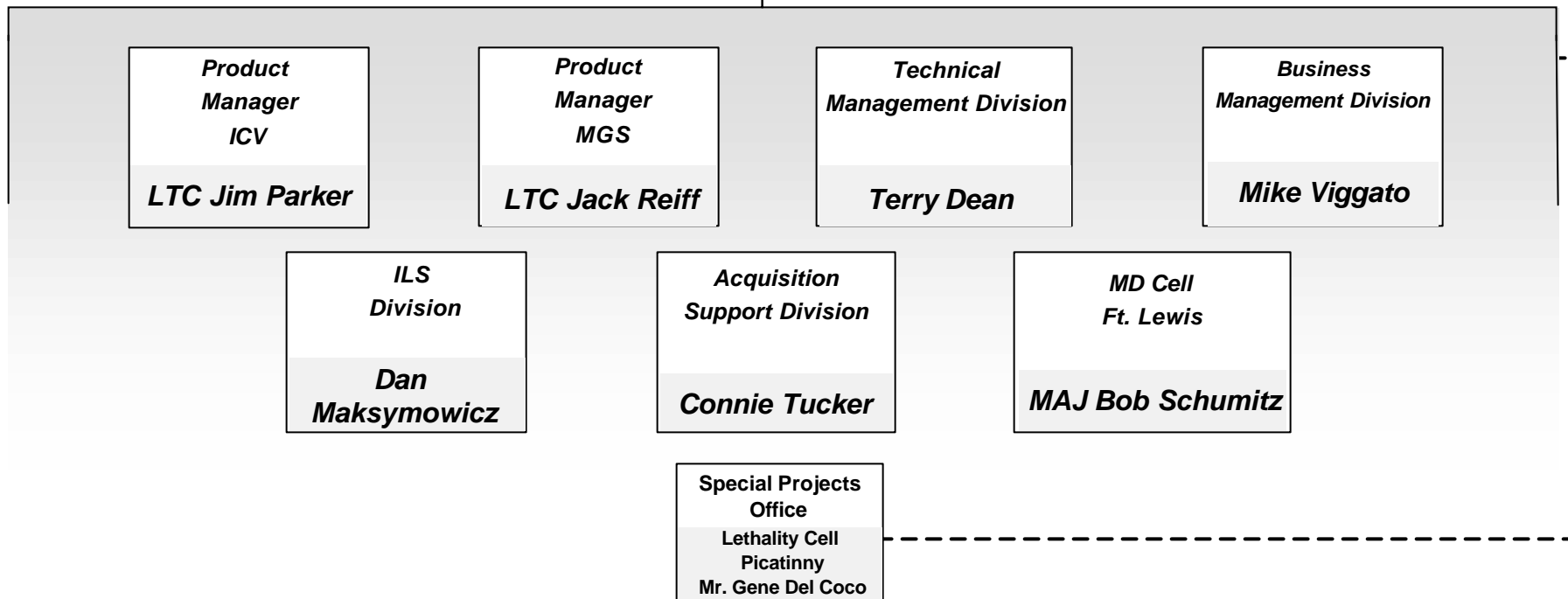
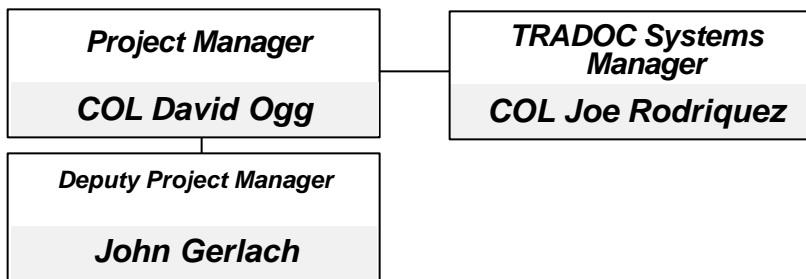




PM Brigade Combat Team Organization



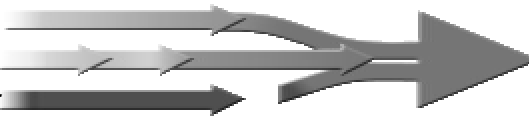
GM GDLS
Defense Group



Vanguard For Army Transformation

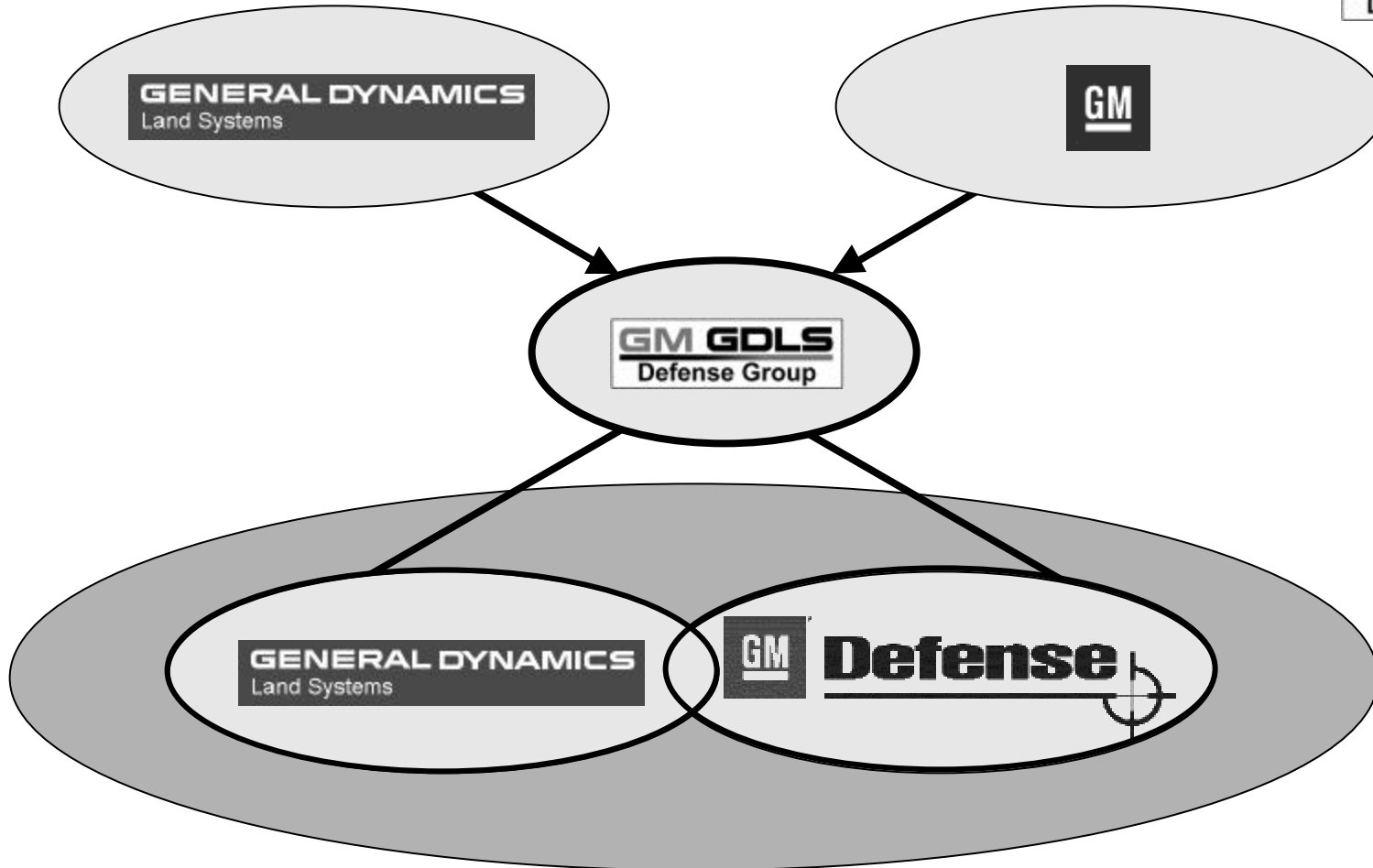


PM BCT

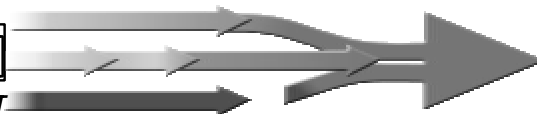




GM GDLS Team Structure



Vanguard For Army Transformation





GM GDLS Team



D. Steckle / T. Frey	Engineering
C. Hastie / B. Motala	Materials
D. Minnema / T. Plunkett	Production
B. Drake / L. Meese	Supportability
T. Bento / J. Ebert	Contracts
A. DelBen / S. Young	Finance

Vanguard For Army Transformation



PM BCT





GM GDLS Work Scope Summary



<u>Veh</u>	<u>Design</u>	<u>Hull</u>	<u>Fab</u>	<u>Assembly</u>	<u>Procurement</u>
		U	L		
MGS	GD	GD	GM	GD	Shared
MC	GD	GD	GM	GD	Shared
NBC	GD	GD	GM	GD	Shared
MEV	GD	GD	GM	GD	Shared
ICV	GM	GD	GM	GDGM	Shared
FSV	GM	GD	GM	GD	Shared
RV	GM	GD	GM	GDGM	Shared
ESV	GM	GD	GM	GD	Shared
ATGM	GM	GD	GM	GD	Shared
CV	GM	GD	GM	GD	Shared
Supportability:		GD		Shared	GM
		Fielding Team		Training	FSR
		Site Management		Provisioning	TMDE
		IETMs		Spares	Equip Spt
				Tech Manuals	

Delivery Orders to date – 9 (vehicles; nonrecurring; and services)

Total vehicles on order – 413

Vanguard For Army Transformation





Product Management IPT

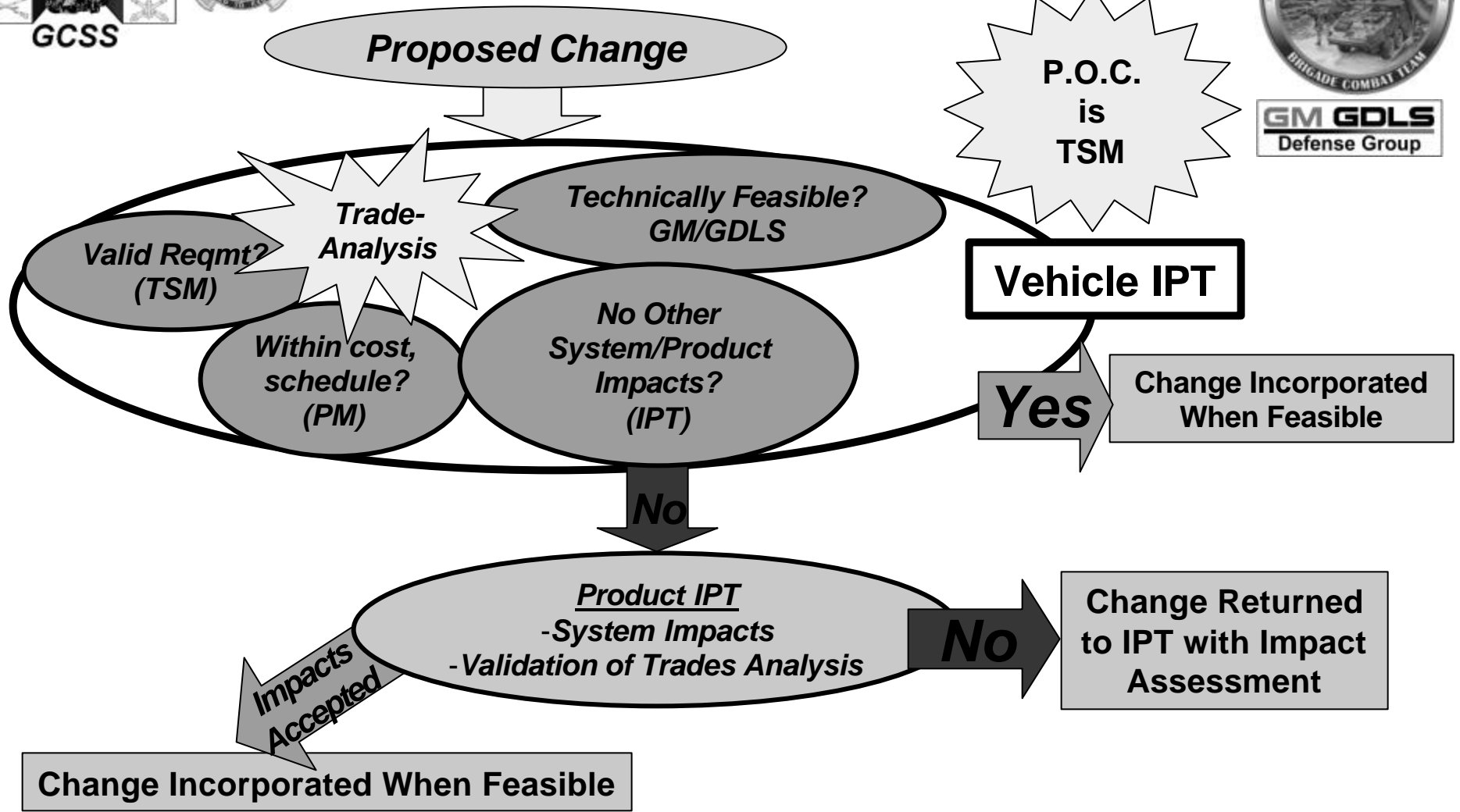


Vanguard For Army Transformation





User Involvement



Change Incorporated When Feasible

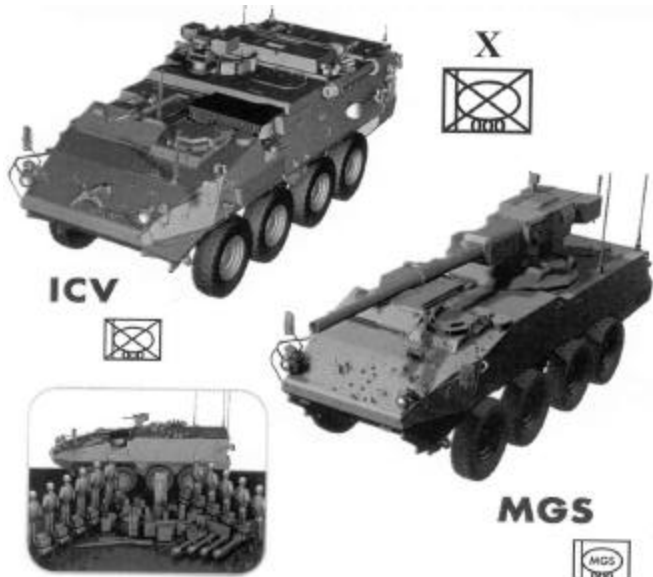
User Input Required to Ensure Vehicles are Suitable and Effective

Vanguard For Army Transformation





The Interim Armored Vehicle Family



Infantry Carrier Vehicle (ICV)

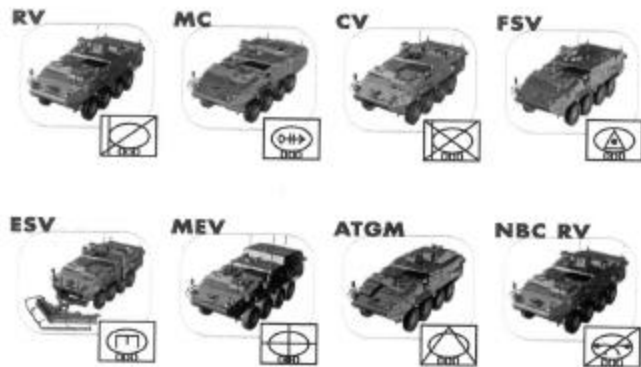
- 8x8 Wheeled w/CTIS & Run Flat
- High Hard Steel Structure
- Remote Weapon Station with cal .50 MG or MK19 40mm

Mobile Gun System (MGS)

- Low Profile Turret
- M68A1 Cannon w/Autoloader
- Full Solution Fire Control

Brigade Configuration

	Qty Ea Bde	ORF	TDA	TOTAL
ICV	108	6	30	714
ATGM	9	1	15	75
MORTAR	36	2	13	241
RECON	48	3	12	318
FIRE SUPPORT	13	1	15	99
ENGR SQ VEH	9	1	13	73
CDR'S VEH	39	1	12	252
MED EVAC	17	1	10	118
NBC RECON	3	1	13	37
MGS	27	4	18	204
	309	21	151	
IBCTs	x6	x6		
TOTAL IAV	1854	126	151	2131

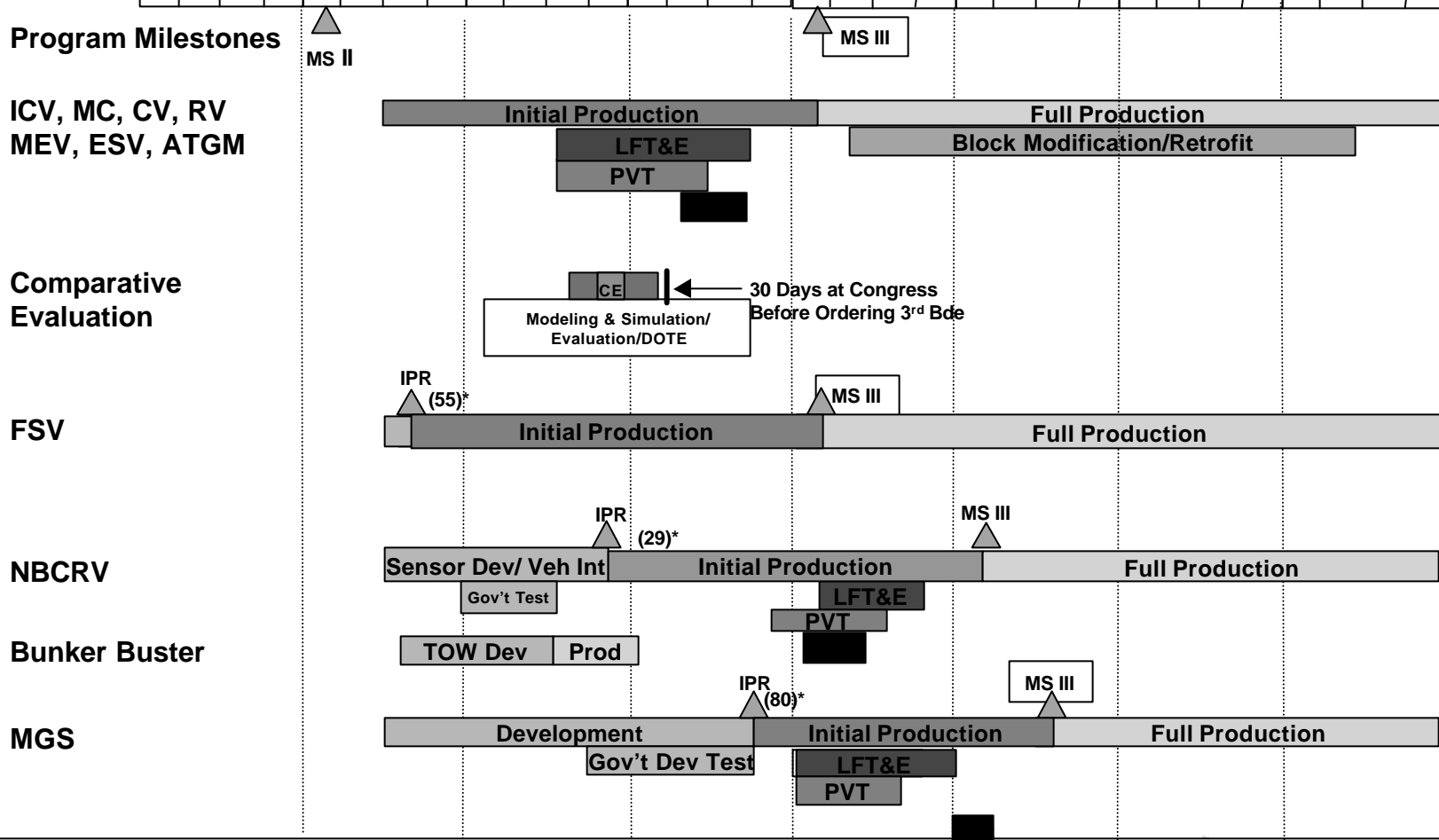




Integrated Program Summary

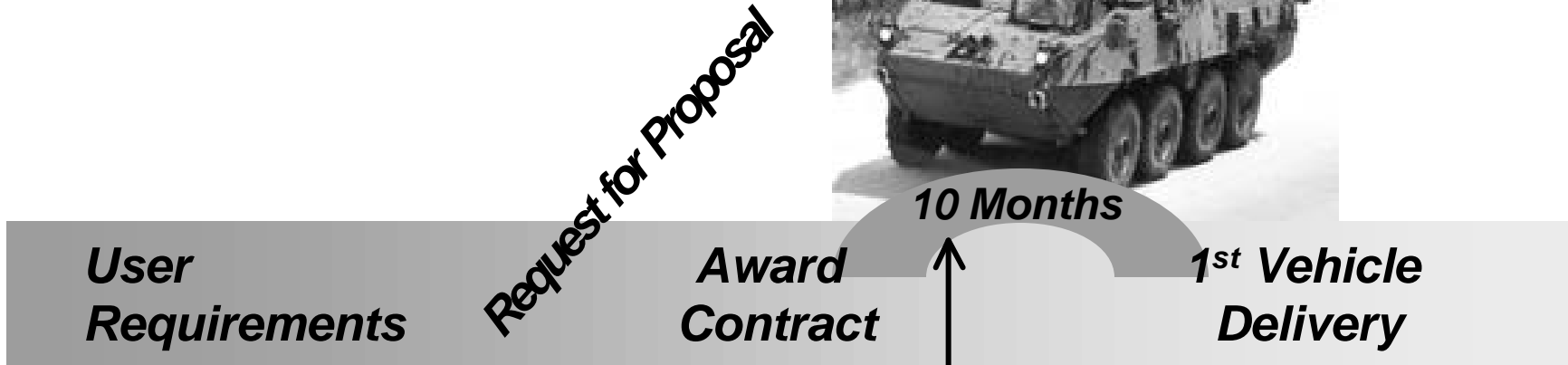


CY00	CY01	CY02	CY03	CY04	CY05	CY06	CY07	CY08
FY00	FY01	FY02	FY03	FY04	FY05	FY06	FY07	FY08





Design to Delivery



Vanguard For Army Transformation

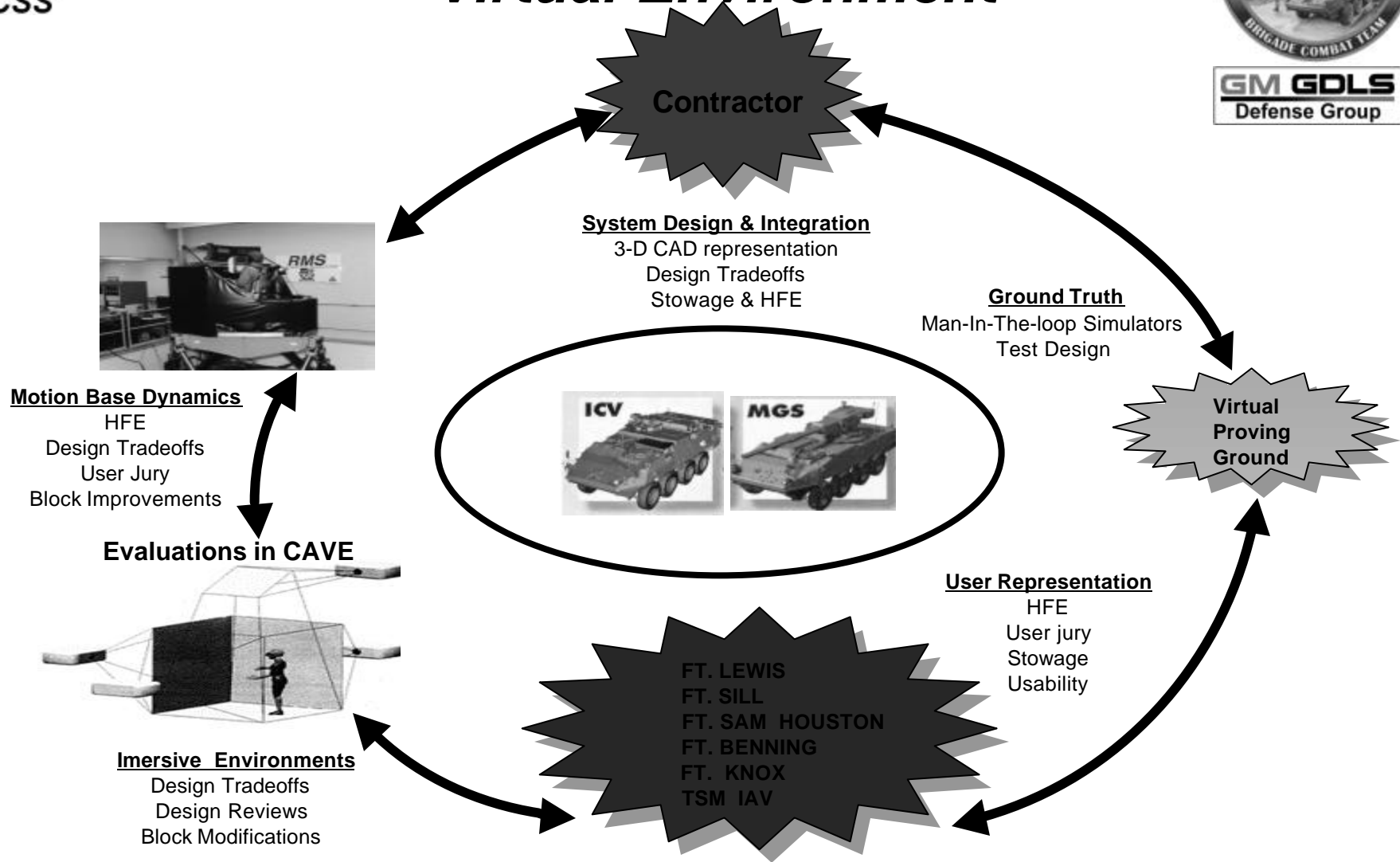


PM BCT



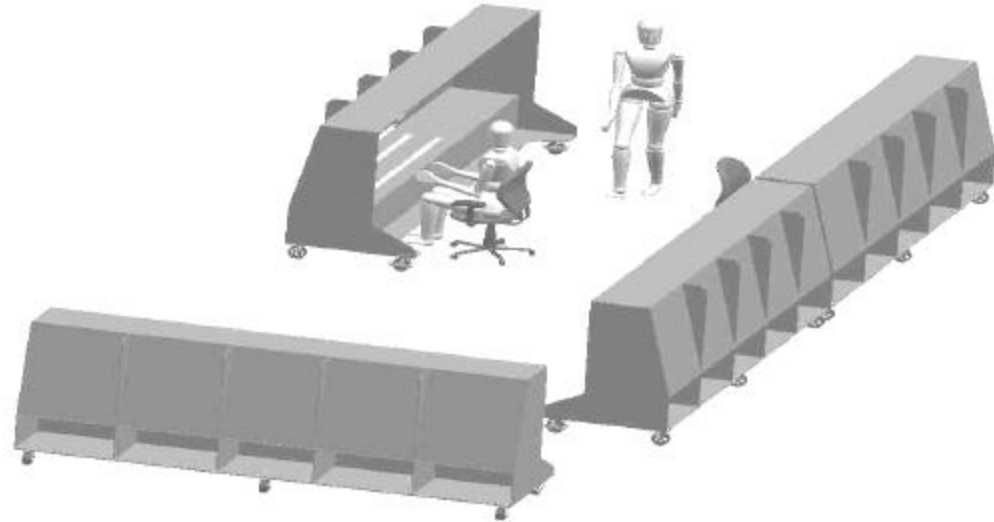


Interim Armored Vehicle (IAV) Virtual Environment





BCT System Integration Lab (SIL)



Utilization

- C4ISR subsystem Interoperability
- Human factors (HFE)
- Training
- Documentation (manuals, operator guides)
- Networking (USG, GM GDLS, Subcontractors, 24/7)

Features

- Mobile
- Configure for bench testing
- Rapid variant reconfiguration
- Full scale environment

Vanguard For Army Transformation



PM BCT

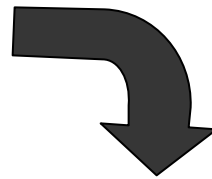




Fielding at Ft Lewis - Force Modernization Process-



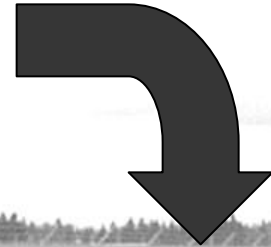
- ID Requirement TOE (TRADOC)
- ID Shortages (I Corp/FORSCOM)



ALL PARTIES:
Maintain Visibility
Over Entire Process

- Synchronize Fielding (Materiel Directorate-BCC)**
- * ID fielding window with BDE
 - * Synchronize PM
 - * Inform Materiel Developer

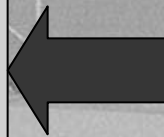
BATTLE H/O



(Facilitate / De-conflict)

- Execute Fielding (Materiel Developer/PM)**
- * De-process
 - * Conduct NET
 - * Field (hand off & support through NET)
 - * Hand off TPF packages

- Coordinate W/Unit (Force Mod/G-7)**
- * Close coordination W/Unit
 - * Set up NMIB (G7)
 - * Coordinate for Resources (G3)



Vanguard For Army Transformation



PM BCT





IAV Supportability & Training Objectives



Use Established Sources for Existing NSNs

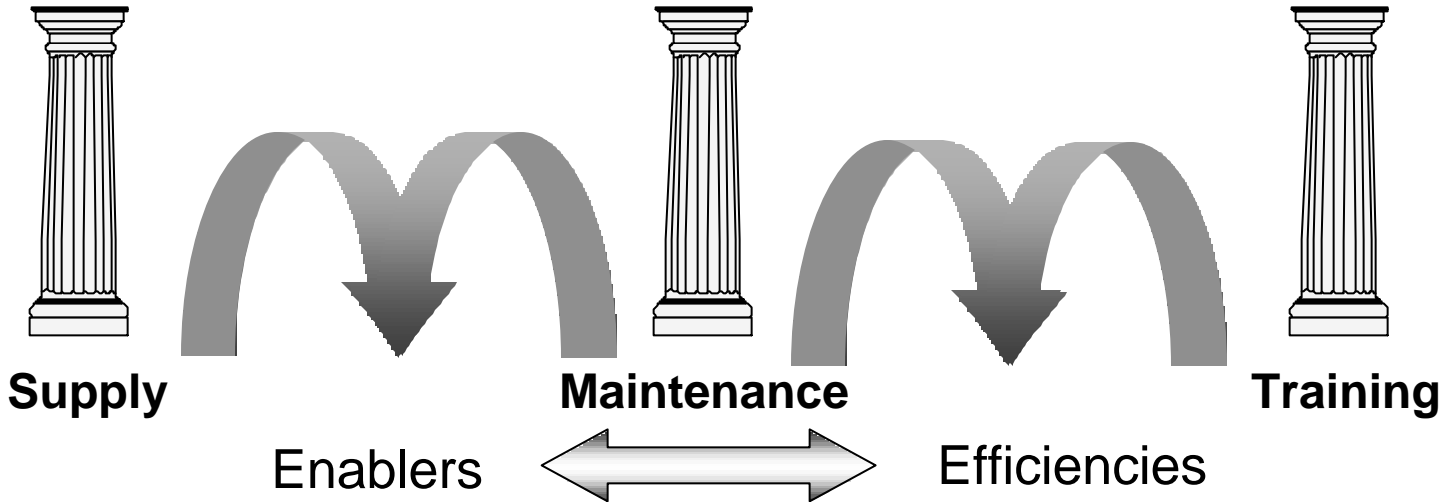
Organic Field Level Maintenance with Contractor
Field Service Rep Assistance

Instructor & Key Personnel Training
New Equipment Training and Institutional Training
Training Aids and Devices Interface

CLS for Supply of New NSNs

CLS for Repair of New LRUs

IAW Performance Parameters



Vanguard For Army Transformation





IAV Common & Integrated Capabilities



Commonality

- Interoperable with ABCS (KPP)
- C-130 Transportable (KPP)
- IAV Maximum Commonality at System, Subsystem, TMDE, Parts, Tools, Skills And Tasks

Infantry Carrier Vehicle

- Transports 9-man Infantry Squad + 2-man Crew (KPP)

Commander's Vehicle

- Provides Commander's C2 Connectivity

ATGM Vehicle

- TOW 2B Anti-Tank Capability Under Armor

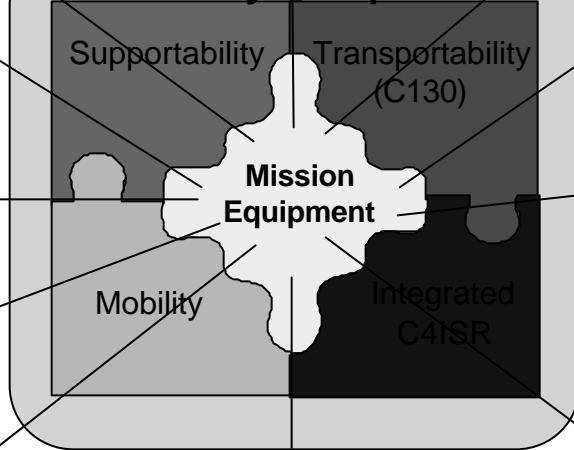
Reconnaissance Vehicle

- LRAS3 Target Acquisition
- Surveillance for the BDE

Mortar Carrier

- Dismounted M121 120mm MRT Initially
- Soltam 120mm Recoil MRT Block Mod

IAV Family Components



NBC Reconnaissance Vehicle

- Detection of NBC Hazards

Fire Support Vehicle

- Striker - Coordinated Fire Support Planning and Execution

Medical Evacuation Vehicle

- 4 Litter Evacuation Capability

Engineer Squad Vehicle

- Transports Engineer Squad & Equipment +2-man Crew
- Mine Neutralization Kit

Mobile Gun System

- Bunker Busting Capability (KPP)
- Penetrate Reinforced Concrete Wall to Allow Infantry Access
- Provides Direct Fire Support to Dismounted Infantry

Bottom Line: *Mission Equipment Packages Make The Variants Unique*

Vanguard For Army Transformation



PM BCT





Technical Characteristics Infantry Carrier Vehicle



Supportability

Embedded IETMs Block Improvement
Diagnostics Linked To VDT
BIT/ Power Pack Display

Mission Capability

Carries 9 Man Infantry Squad And Crew of 2
Kongsberg Remote Weapon
Station With M2 .50 cal MG Or MK19
40mm
2000 rnds .50 Cal or
448 rnds 40mm
2 Javelin Missiles

Survivability

14.5 mm AP Protection
High Hard Steel Structure
MEXAS Ceramic Layer
Spall Liner
IBD Passive RPG Add-on

Transportability

37,798 lbs Combat Weight
37,618 lbs Transport Weight
50% Fuel
200 Rnds .50 Cal
32 Rnds 40mm
All remaining Ammo Restowed
Crew/Squad Gear Restowed

Mobility

60 MPH Top Speed
9 Sec 50m Dash
78 in Gap Crossing
23 in Vertical Climb
330 Mile Cruising Range est.
53 Gal Fuel Capacity

IAV Common GFE/ASIOE

FBCB2
EPLRS
GPS
TWS-H

Vanguard For Army Transformation



PM BCT





Infantry Carrier Variant



ICV Serves as the Baseline Vehicle (Enhanced Commonality)

Key Performance Parameters

9-Man Squad with their Equipment

C-130 Air Transportable

System Interoperability



Vanguard For Army Transformation

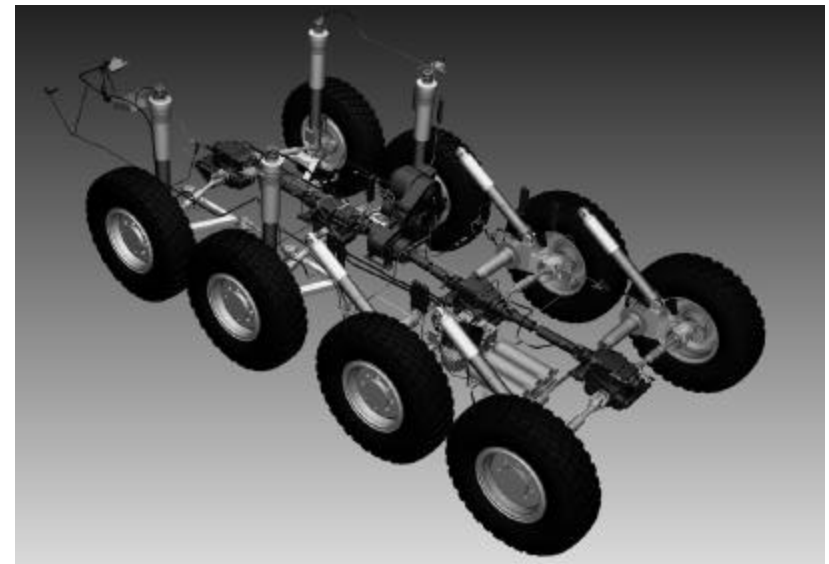




Automotive



- Sprint Capability - 50 meters in 9 seconds
- Sustained Maximum Speed > 60mph
- Cruise at 40mph for 330+ miles
- 4WD Selectable 8WD
- 2 Speed Transfer Case
- Hydro Pneumatic Suspension
- Height Management System
- Air Transport
- Load Leveling

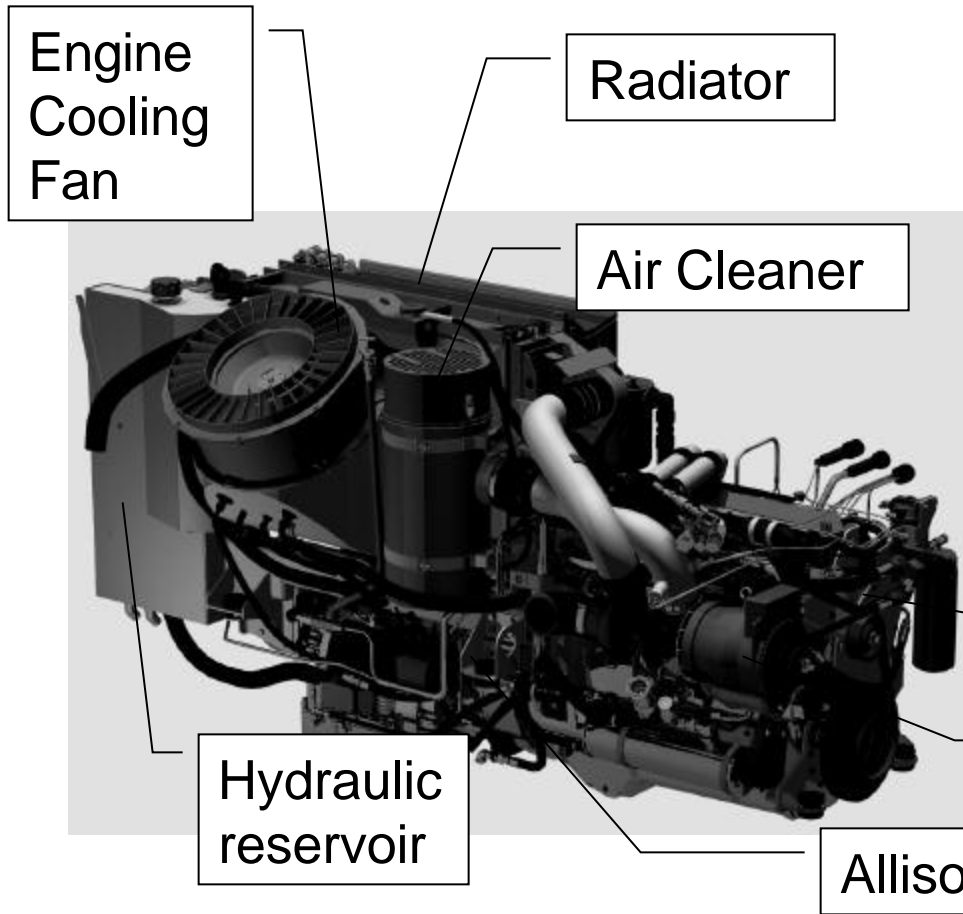


Vanguard For Army Transformation





Power Train



Caterpillar 3126 engine

- 350 hp @ 2600 rpm
- 820 ft lbs @ 1440 rpm

Allison MD3066P Transmission

- 6 speeds fwd
- 1 speed reverse
- 2 x PTO driving hydraulic accessories

Vanguard For Army Transformation



PM BCT



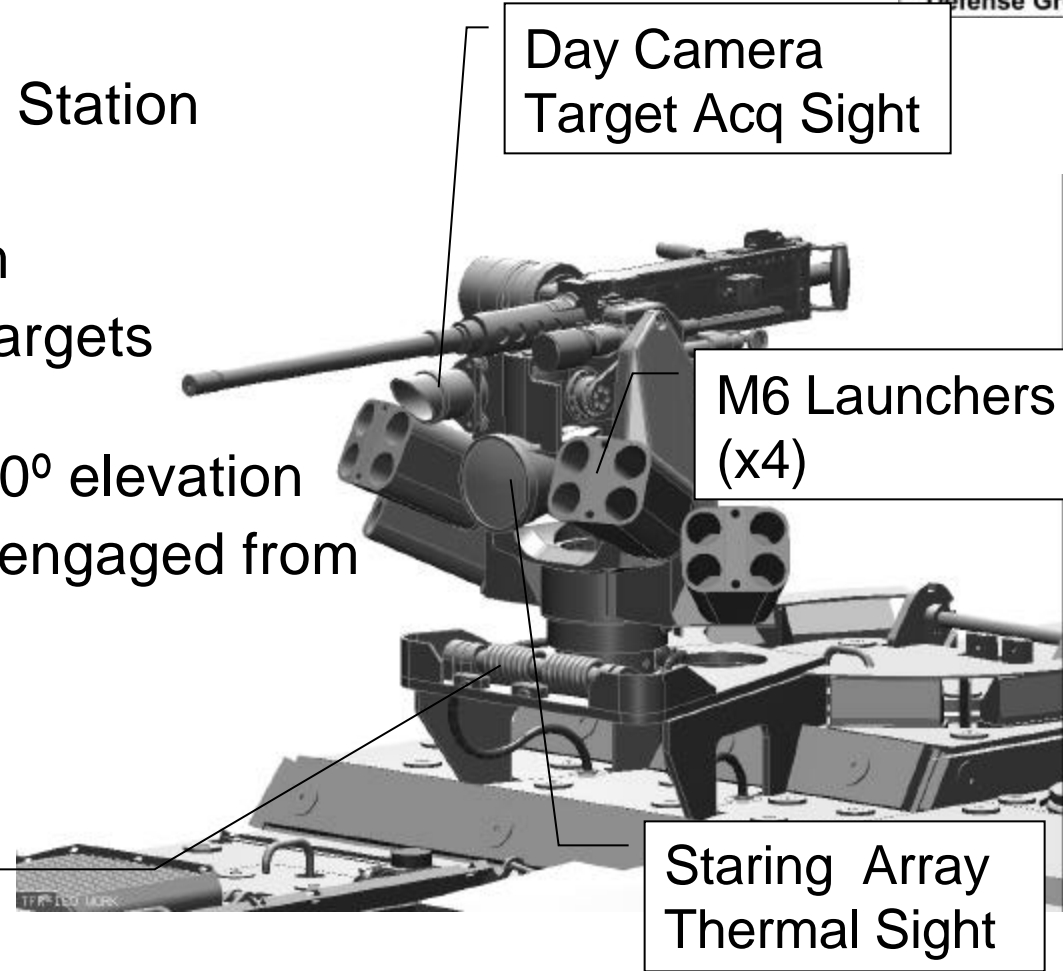


Armament

Remote Weapon System

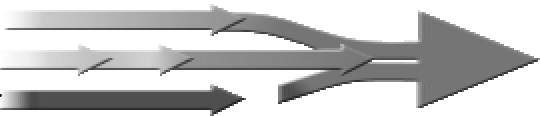


- KDA Remote Weapon Station
 - M2 .50 cal
 - Mk19 mod 3 40mm
- Defeat light armored targets at 1500m
- -20° depression to + 60° elevation
- Targets acquired and engaged from under armor



Height reduction for air transport

Vanguard For Army Transformation



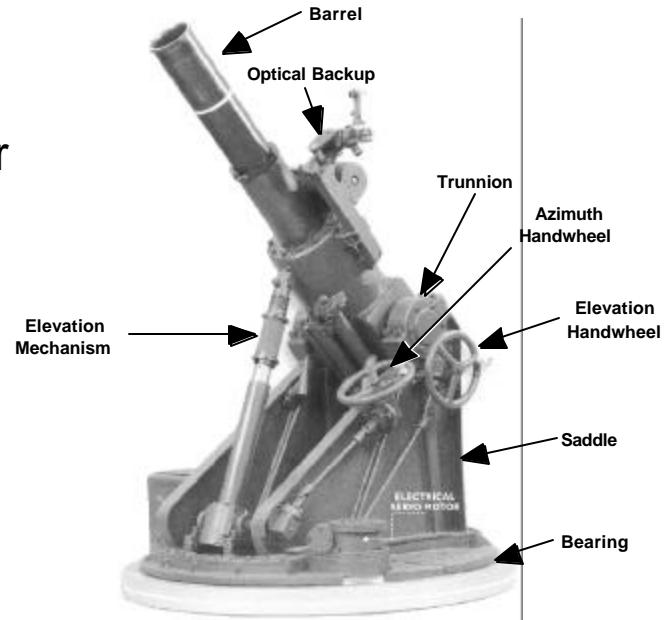


Armament Mortar Carrier



MORTAR CARRIER (Initial)

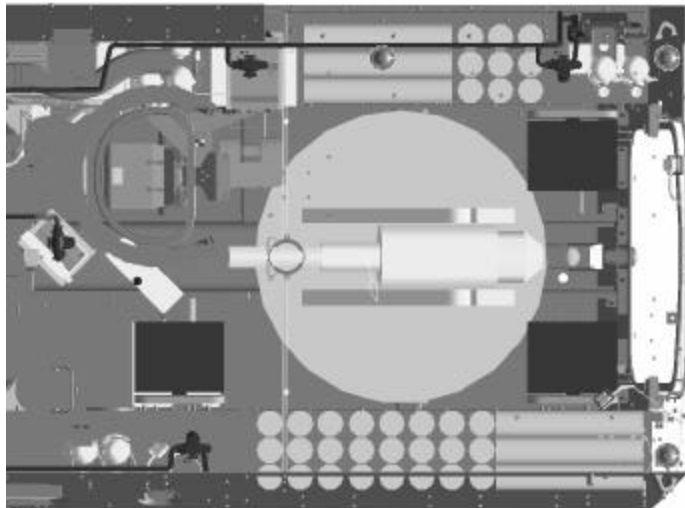
- M121 120mm Dismounted Mortar
- 81mm Dismounted (Battalion)
- 60mm Dismounted (Company)
- Storage for Improved Munitions



BCT-223

MORTAR CARRIER (Block Improvement)

- Soltam 120mm Recoil Mortar System
- 81mm Dismounted (Infantry Battalion Carrier)
- 60mm Dismounted (Infantry Company Carrier)
- XM95 Mortar Fire Control System
- Storage for Improved Munitions



Vanguard For Army Transformation



PM BCT





Armament

Anti-Tank Guided Missile



GM GDLS
Defense Group

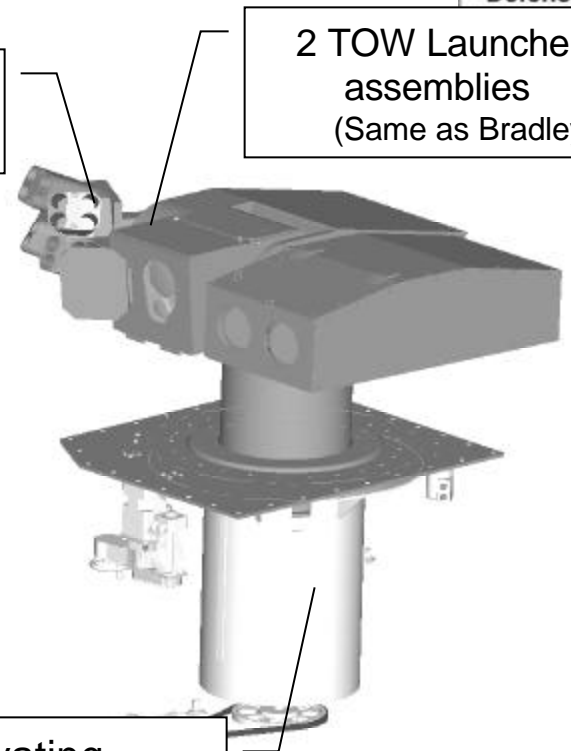
ANTI-TANK GUIDED MISSILE VEHICLE

- TOWII
- ITAS (Raytheon) - 2 Missiles
- IBAS Day Camera
- Missile is Remotely Fired Under Armor
- M6 Smoke Grenade Launchers

4 M6 grenade clusters

2 TOW Launcher assemblies
(Same as Bradley)

Elevating Mast Assembly



* ATGM does not incorporate the RWS

Vanguard For Army Transformation



PM BCT





Situational Awareness



RECONNAISSANCE VEHICLE

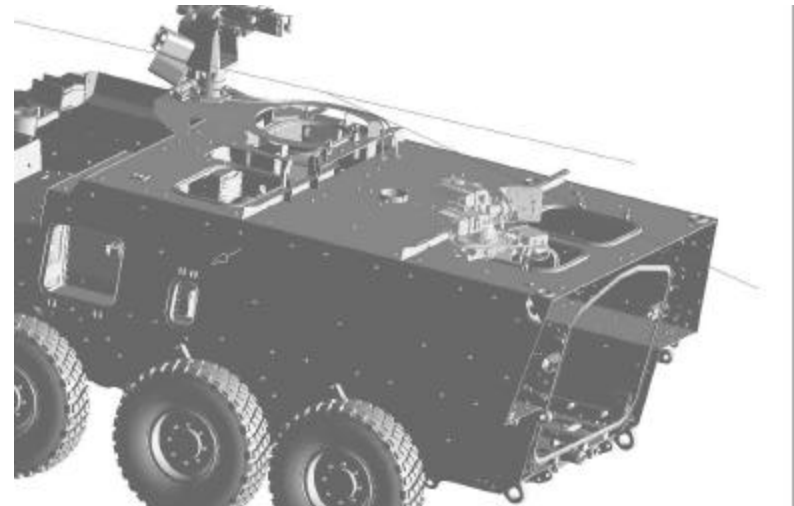
- Integrated LRAS3

COMMANDER'S VEHICLE

- Full C4ISR Suite including workstations

FIRE SUPPORT VEHICLE

- Integrated M707 Striker
- Mounting position allows growth to Striker Sabre / masted system



Vanguard For Army Transformation





Support Elements



ENGINEER SUPPORT VEHICLE

- Vehicle Array Mine Detection System (VAMIDS)
- Tele-Operation, Mark IV Robotic System (Omnitech)
- Advanced Hornet System
- Obstacle Neutralization System
 - Magnetic Signature Duplicator
 - Pearson Surface Mine Plow
 - Light Weight Mine Roller
 - Lane Marking System
- M15/M21 Anti-tank Mines



Vanguard For Army Transformation





Support Elements

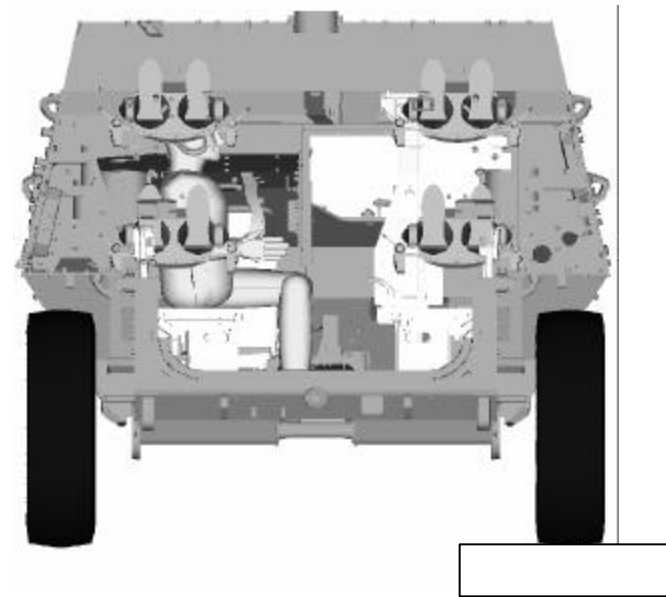


NBC RECONNAISSANCE VEHICLE

- Overpressure and Climate Control System
- Government Directed, CACI Developed Digital Suite and Sensors
- Lightweight Chemical Agent Detector and Display
- Radiation Detector(s) AN/VDR-2 and AN/VDR-13
- Autonomous Navigational Device

MEDICAL EVACUATION VEHICLE

- Litters for four patients
- Seating for six ambulatory patients



Vanguard For Army Transformation





Technical Characteristics Mobile Gun System



GDLS
Group



Supportability

IETMs on Video Display Terminal (VDT) For 3/2 ID and 1/25 ID
Embedded IETMs Block Improvement
Diagnostics Linked To VDT
BIT/BITE Power Pack Display

Mission Capability

Low Profile Turret
M68A1 Cannon w/Autoloader
Coax 7.62mm, Secondary CDR's MG
Full Solution Fire Control,
2 Axis Stabilization
18 rnds 105mm
4200 rnds 7.62mm

Survivability

14.5 mm AP Protection
High Hard Steel Structure
MEXAS Ceramic Layer
Kevlar Spall Liner
IBD Passive RPG Add-on

Transportability

41,300 lbs Combat Weight
38,000 lbs Transport Weight
25% Fuel
5 rnds 105mm
500 rnds 7.62mm
200 rnds .50 cal
All remaining Ammo Removed
Crew Gear Restowed
Winch Removed

Mobility

60 MPH Top Speed
9 Sec 50m Dash
78 in Gap Crossing
23 in Vertical Climb
330 Mile Cruising Range
53 Gal Fuel Capacity

MGS Specific GFE/ASIOE

M68A1
ELRF

Vanguard For Army Transformation



PM BCT

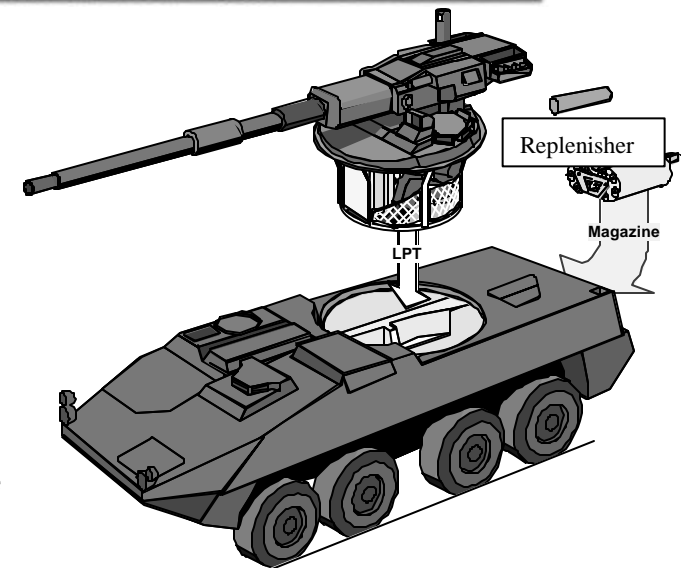




Mobile Gun System Variant



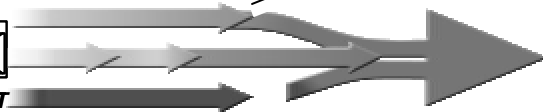
- Low Profile Turret
 - External Modified M68 105mm gun
 - Protected 8 round autoloader
 - Versatile lethality with growth
 - Stabilized direct fire control
 - Low profile, side-by-side crew
- ICV Variant Chassis
 - Modified production chassis
 - Lowered for C130/survivability
 - Isolated 10 round replenisher low in back
- MGS Vehicle
 - 18 auto loaded rounds
 - 3 crew
 - GVW/performance ~same as ICV
 - LPT on LAV III demonstrated performance



Vanguard For Army Transformation



PM BCT

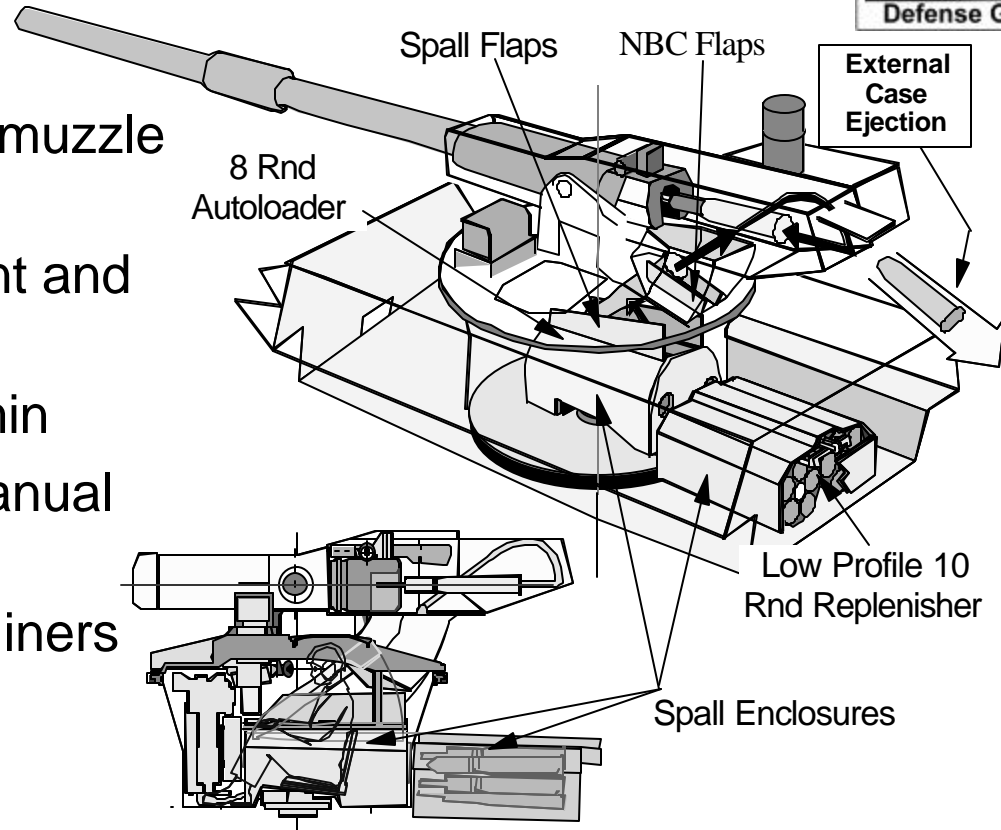




MGS LPT Weapon Lethality



- M68A1 105mm cannon with muzzle brake
- Fires all NATO ammo present and future
- 8-round autoloader, 10 rds/min
- 10-round replenisher with manual bypass
- All ammo protected by spall liners



Fully Automated, Protected, MBT Firepower

Vanguard For Army Transformation

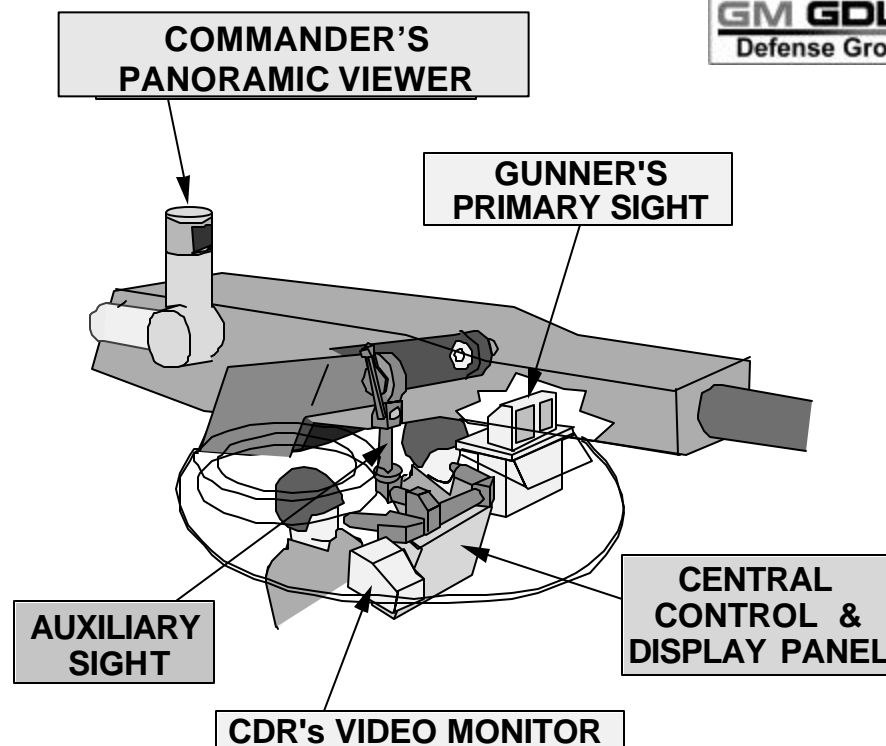




MGS LPT Fire Control



- 2 axis stabilized gunner's sight
 - Latest thermal technology
 - 2 power viewing
 - Eye safe laser range finder
 - Muzzle reference sensor
- Turret and gun stabilized
- 7x auxiliary sight
 - Available to both crewmen
- Panoramic viewer
 - Mounts high on gun pod
 - Day video and thermal



State-Of-The-Art Fire Control

Vanguard For Army Transformation



PM BCT





GM GDLS
Defense Group

END OF PRESENTATION