

212298

JPRS-EPS-85-056

16 May 1985

19981106 138

East Europe Report

POLITICAL, SOCIOLOGICAL AND MILITARY AFFAIRS

DTIC QUALITY INSPECTED 2

FBIS FOREIGN BROADCAST INFORMATION SERVICE

6
126
A07

NOTE

JPRS publications contain information primarily from foreign newspapers, periodicals and books, but also from news agency transmissions and broadcasts. Materials from foreign-language sources are translated; those from English-language sources are transcribed or reprinted, with the original phrasing and other characteristics retained.

Headlines, editorial reports, and material enclosed in brackets [] are supplied by JPRS. Processing indicators such as [Text] or [Excerpt] in the first line of each item, or following the last line of a brief, indicate how the original information was processed. Where no processing indicator is given, the information was summarized or extracted.

Unfamiliar names rendered phonetically or transliterated are enclosed in parentheses. Words or names preceded by a question mark and enclosed in parentheses were not clear in the original but have been supplied as appropriate in context. Other unattributed parenthetical notes within the body of an item originate with the source. Times within items are as given by source.

The contents of this publication in no way represent the policies, views or attitudes of the U.S. Government.

PROCUREMENT OF PUBLICATIONS

JPRS publications may be ordered from the National Technical Information Service, Springfield, Virginia 22161. In ordering, it is recommended that the JPRS number, title, date and author, if applicable, of publication be cited.

Current JPRS publications are announced in Government Reports Announcements issued semi-monthly by the National Technical Information Service, and are listed in the Monthly Catalog of U.S. Government Publications issued by the Superintendent of Documents, U.S. Government Printing Office, Washington, D.C. 20402.

Correspondence pertaining to matters other than procurement may be addressed to Joint Publications Research Service, 1000 North Glebe Road, Arlington, Virginia 22201.

16 May 1985

EAST EUROPE REPORT

POLITICAL, SOCIOLOGICAL AND MILITARY AFFAIRS

CONTENTS

INTERNATIONAL AFFAIRS

Poland's Bednarski Gives Statement at Moscow Airport (Henryk Bednarski; TRYBUNA LUDU, 22 Apr 85).....	1
Daily Hails Polish-Soviet Friendship Treaty (Editorial; RZECZPOSPOLITA, 20-21 Apr 85).....	3
CSSR Press Ignores Hoxha Funeral (POLITIKA, 17 Apr 85).....	6
Briefs	7
CSSR Delegation in Poland	7
Polish Accord With SED	7
SED Working Group Visits Poland	7
CPSU Lecturers Visit Poland	7
Socialist Airline Group Meeting	8
Polish-Soviet Sci-Tech Accord	8
Szalajda Delegation in Kiev	8
Szalajda in Novosibirsk	8
Obodowski in Moscow for Talks	8

ALBANIA

Alia at Hoxha University Rally (ATA, 29 Apr 85).....	9
Alia Greets Border Guards (ATA, 26 Apr 85).....	14
AWP CC, Government Thank for Condolences (ATA, 25 Apr 85).....	17

Isai, Mustaqi Attend Border Guard Anniversary (ATA, 25 Apr 85).....	19
Carcani Visits Tirana Tractor Plant (ATA, 30 Apr 85).....	21
Tirana Meeting on Vietnamese Anniversary (ATA, 30 Apr 85).....	23
Cami Article Extols Hoxha Life, Teachings (ATA, 28 Apr 85).....	24
Hoxha Widow Expresses Thanks for Condolences (ATA, 28 Apr 85).....	26
Papers' Treatment of Hoxha's Death, Funeral (ZERI I POPULLIT, 12-16 Apr 85).....	28
State Farm Renamed After Enver Hoxha (Tirana Domestic Service, 24 Apr 85).....	30
Briefs	
Cambodian Mourning for Hoxha	31
Vietnam, Burkina Faso Mourning	31
Vietnam Wreath at Hoxha's Coffin	31
Albania Pretender King Leka	31
Condolences From Nicaragua's Ortega	32
 BULGARIA	
Zhivkov Toasts Finland's Koivisto at Official Dinner (Todor Zhivkov; RABOTNICHESKO DELO, 24 Apr 85).....	33
SANA Reports Interview With Bulgaria's Zhivkov (SANA, 27 Apr 85).....	37
BTA Comments on Zhivkov Visit to Syria (BTA, 30 Apr 85).....	39
Stoyanov Speech on Lenin Anniversary (Dimitur Stoyanov; RABOTNICHESKO DELO, 23 Apr 85).....	41
Ganev Talks to JORDAN TIMES, Departs (Olga Mikha'il; JORDAN TIMES, 30 Apr 85).....	45
Leaders Congratulate Afghan Counterparts (RABOTNICHESKO DELO, 27 Apr 85).....	47
Bulgarian-Congolese Cooperation Protocol Signed (BTA, 27 Apr 85).....	48

Defense Ministry Accepts Applications for NCO Schools (NARODNA ARMIYA, 7 Mar 85).....	50
Computer Training in Artillery, Naval Academies Introduced (POGLED, 25 Mar 85; NARODNA ARMIYA, 19 Mar 85).....	55
Computer Uses at Artillery School, by Georgi Grozdev	55
Navy School Introduces Computers, by Yani Poptomov	57
International Church Meeting Held in Sofia (BTA, 27 Apr 85).....	69
Army Paper Praises Romania's Armed Forces (NARODNA ARMIYA, 25 Apr 85).....	70
Briefs	
Soviet Military Ships in Ruse	72
International Seminar on Space	72
Congolese Working Group	72

CZECHOSLOVAKIA

Changes Sought Through Science, Research (PRAVDA, 7, 8 Feb 85).....	74
Bitter Press Assaults on World War II U.S. Army Conduct (Ivan Broz; RUDE PRAVO, 24 Apr 85).....	80

GERMAN DEMOCRATIC REPUBLIC

Electrical Power Requirements for Fighter Aircraft (G. Hummitzsch; MILITAERTECHNIK, No 1, 1985).....	83
---	----

HUNGARY

Jamaica Youth Congress Attacked for Excluding Socialist Lands (MAGYAR IFJUSAG, 8 Mar 85).....	96
Population Growth: Problem, Solutions (Csaba Varga; FORRAS, Feb 85).....	98

POLAND

Reactions to Reagan's Bitburg Cemetery Visit (PAP, AFP, various dates).....	105
Army Daily Editorial	105
PAP Commentary	106
Warsaw Ghetto Leader Comments	107
Scientists Predict 'Catastrophe,' Urge Radical Changes (Bernard Margueritte; LE FIGARO, 25 Apr 85).....	108

Briefs

Educational Program With Turkey	110
Swedish Construction Talks	110
Higher Phone Rates	110
Tunisian Justice Minister Visit	110
New Official Appointed	110
New Undersecretary Appointed	110
Szczecin Dagnet Operation	111
Church Role in Western Territory	111
Rakowski at ZSMP Meeting	111
Jaruzelski Addresses ZSMP Congress	111
Gdansk Defense Committee Meeting	112
New Vice Minister	112
Bednarski Hails Editorial Team	112
Bednarski at Ideological Session	112
Michalek on Agricultural Trade	112
Szalajda Received UK Ambassador	113
Rakowski in Lomza	113
Grzyb, Siwak Construction Talks	113
Swirgon Meets Youth Activists	113
Swirgon Receives Cultural Workers	113
Visit by Swedish Minister	113
New Undersecretary Appointed	113
PAP Chief Visits PRC	113

YUGOSLAVIA

SAWPY's Rozic Concludes Talks in Finland (TANJUG, 26 Apr 85).....	114
TANJUG Criticizes Bulgarian Book on 'Real Socialism' (TANJUG, 26 Apr 85).....	115
Military Leaders Visit Parade Participants (TANJUG, 26 Apr 85).....	116
Daily on Kulikov Article 'Equating' SFRY Struggle With Others (POLITIKA, 19 Apr 85).....	117

Briefs

Bosnia-Hercegovina Party Candidate	119
Doctors, Stomatologists Titles	119
New Macedonian Presidency President	119
New Macedonian Assembly President	119
Zagreb City Assembly President	119
Croatian Youth Federation President	120
Air Force Plane Crashes	120
Kosovo LC President	120

INTERNATIONAL AFFAIRS

POLAND'S BEDNARSKI GIVES STATEMENT AT MOSCOW AIRPORT

AU251638 Warsaw TRYBUNA LUDU in Polish 22 Apr 85 p 7

[Statement given to PAP by PZPR Central Committee Secretary Henryk Bednarski on 21 April at Moscow airport, at the conclusion of his USSR visit]

[Text] PAP--The chief purpose of the visit to the Soviet Union by the Polish-Soviet Friendship Society [TPRR] delegation, apart from taking part in official ceremonies in Moscow and Tbilisi connected with the 40th anniversary of the signing of the Treaty of Friendship, Mutual Aid, and Postwar Cooperation between Poland and the USSR, was to directly discuss the main paths and forms of further cooperation between the TPPR [Polish-Soviet Friendship Society] and the TPRP [Soviet-Polish Friendship Society]. Celebrations for the 10th anniversary of this treaty have assumed an important and universal position on Soviet soil and have been a manifestation of authentic friendship and of a desire to develop even richer cooperation with People's Poland. This friendship, as representatives of all the Soviet milieus with whom we met stressed, possesses common ideological foundations, cemented even more by the blood spilled jointly by Soviet and Polish soldiers during the battle against German fascism. This unity of fortunes, struggle, and sacrifice lies deep in the memory of the Soviet people, just like the requirement of today's times to struggle for the preservation of peace.

I believe that during the whole of our stay in the USSR, the working nature of this visit has also been very important. We discussed what contents to impart to the ideals of friendship during the present conditions. We formulated a series of new proposals involving both an enrichment of traditional forms of cooperation and the introduction of new features thereof. Among other things, the need was expressed to considerably expand exchange of information about the life and problems of both friendly countries. Both we and our Soviet comrades agreed that it is essential to expand this exchange, and that larger, authoritative groups of representatives from various milieus and professions are preferable to small delegations. With this in mind, we recognized it as essential, for example, to organize in the immediate future a visit to the USSR by a larger group of Polish farmers in order to acquaint them with the current problems and transformations occurring in Soviet agriculture.

We recognized it as necessary to expand cooperation between students, individual educational institutions, and scientific centers.

This also includes spreading tourist exchange. The TPPR Main Board will set up a tourist bureau specializing in tourist exchange with the USSR.

The preparations for celebrating the 40th anniversary of the victory over fascism have shown how great an interest there is in the present People's Poland among war veterans, especially among those who liberated our country while in the army and those hundreds of thousands of people whose relatives remained on Polish soil for good. With this in mind, the TPPR will try and invite numerous groups of veterans to Poland so that they may look at their former combat trails today.

During meetings with representatives from various milieus, we convinced ourselves of how large the social demand by Soviet people for a development of cooperation and cultural exchange with Poland is. This involves, among other things, presenting our national culture in individual Soviet republics. In Georgia, we had an opportunity to witness an authentic interest in Polish culture, literature, and drama by creators and society there. During meetings with this republic's authorities and TPRP aktivs, the desire was expressed to present Georgia's national achievements in the cultural and economic spheres as part of the "Days of USSR Culture in the PPR."

In the cultural sphere, USSR aid in publishing activity is of great importance to us. An example is the joint publication of the works of Lenin and of many fine works of classical literature for Poland. Soviet aid is invaluable as far as supplies of paper for our publishing houses is concerned. Therefore, a subject of talks was also the need to increase translations of Soviet and Polish literature and establish even broader cooperation in this sphere than before.

These and other thoughts on and ways of increasing cooperation between the TPPR and TPRP will well serve the societies of the friendly countries.

I wish to take this opportunity to warmly thank the leaderships of the CPSU Central Committee and Georgian Communist Party Central Committee for their inspiration and support for the initiatives of our friendship societies.

CSO: 2600/772

INTERNATIONAL AFFAIRS

DAILY HAILS POLISH-SOVIET FRIENDSHIP TREATY

AU231053 Warsaw RZECZPOSPOLITA in Polish 20-21 Apr 85 p 1

[Editorial: "Forty Years of Alliance--Aspirations and Needs"]

[Text] The Polish-Soviet Treaty of Friendship, Mutual Assistance, and Cooperation was signed 40 years ago, but its importance has not diminished with the passage of time. The treaty is a part of history and has been written into the annals of Poland and the USSR, of the deadly struggle against Hitlerite fascism, and of our country's reconstruction and development. It still continues to fill in the chapter of the two countries' history.

The concept of Polish-Soviet alliance and cooperation took shape long before 1945 and was connected with the growing threat to Poland's security from Hitlerite Germany. However, it did not result in any change in the official anti-Soviet policy followed by the pre-war governments. In 1939 in the face of the coming German aggression against Poland, the Sanacja Government rejected the proposal for military cooperation with the USSR and based the country's security on alliances with France and Great Britain. In September 1939 these alliances proved to be worthless pieces of paper, and isolated Poland suffered a defeat.

The voice of the facts and the logic of history confirmed the foresight of those who had argued the necessity for changed Polish-Soviet relations when it was still not too late.

Hitlerite German's attack against the USSR speeded up the process of change. Everyone knew that the USSR would become the decisive force in that war, and in this situation our cooperation with the USSR became a most vital matter for Poland's interest. Sikorski's emigre government in London realized this and on 30 July 1941 signed an accord with the USSR on the joint struggle against the Third Reich. This accord could have become a formal means of making a breakthrough in Polish-Soviet relations, but the extreme anti-Soviet circles in the Polish emigre government soon torpedoed the budding cooperation.

However, this was no longer enough to halt an inevitable process, because a breakthrough in Polish-Soviet relations ceased to depend on emigre politicians. This breakthrough was being carried out by the Polish people themselves, who continued to increasingly base their struggle against the Hitlerite occupier on a vision of Poland that was different from the pre-war Poland.

The Polish Workers Party [PPR] translated these aspirations into a specific program and exhorted the Polish people to unite themselves in the struggle for a democratic and just Poland, one able to lead an independent existence and to ensure its security against German threats, and for a return of the Odra-Nysa lands. The PPR recognized that close Polish-Soviet cooperation was the fundamental condition for achieving these goals.

The concept of Polish-Soviet alliance was clear, and the Polish people backed it. Partisan units continued to fight the occupier under the PPR slogans, and the resistance movement in factories and villages continued to consolidate. The Polish people continued to become increasingly convinced that close cooperation with the USSR would not only accelerate the country's liberation, but would also guarantee us peace and the post-war reconstruction of our economy.

The USSR backed this concept and, as a result, helped to organize the Polish Armed Forces, which, beginning with the battle of Lenino, began to build the most enduring foundation of Polish-Soviet friendship--the brotherhood in arms in the common struggle against German fascism.

All this began to produce the expected results. Parts of Poland were liberated, the Polish National Liberation Committee was set up, the July Manifesto was published, and the implementation of the PPR program begun.

As an organ of state authority, the Polish National Liberation Committee reiterated the need for intensifying cooperation with the USSR and for concluding a formal alliance.

On 1 August 1944 the Soviet Government officially recognized the committee and signed the first accords. The USSR pledged to support Poland's all vital concept, including the Odra-nysa border and Szczecin as a Polish city. The Poland-Soviet alliance became a fact. On Wladyslaw Gomułka's initiative, in January 1945, a Polish delegation proposed to Premier J. Stalin that the mutual relations be formalized in a treaty. The supreme Soviet authorities approved of this proposal, and on 21 April 1945 the Polish-Soviet Treaty of Friendship, Mutual Assistance, and Cooperation was signed in the Kremlin.

It is hard to exaggerate the importance of this treaty, the signing of which solemnly formalized the historic breakthrough in Polish-Soviet relations--a breakthrough induced by our September defeat. The treaty was proof of Poland's political realism in evaluating history and in formulating future goals. It guaranteed for Poland not only a share in victory, but also in the fruits of victory.

The history of the years 1945-85 has fully confirmed this. The Polish-Soviet alliance is the factor that has ensured new and just borders for Poland, has promoted its development, and has made socialist changes possible.

This alliance has thoroughly changed the Polish people's awareness and has transformed mutual relations into a neighborhood of friends who share the same ideology and who need one another.

Imperialism has not given up attempts to set our two peoples at loggerheads and to destroy the fabric of our cooperation. It will never be able to do this, no matter what resources it uses, what lies it spreads, and what adherents it wins who still want to peddle Polish interests. It will never be able to do this because the Polish-Soviet alliance is rooted in the Polish people's aspirations and needs and because it has passed its practical test, has become the foundation of the irreversible changes in Poland, and continues to determine its development, strength, and security.

CSO: 2600/772

INTERNATIONAL AFFAIRS

CSSR PRESS IGNORES HOXHA FUNERAL

AU211853 Belgrade POLITIKA in Serbo-Croatian 17 Apr 85 p 2

[Permanent correspondent S. Dj. report]

[Text] Prague, 16 Apr--The Czechoslovak press has not reported the funeral of Enver Hoxha yesterday. There has also been no report on the speech by Hoxha's successor Ramiz Alia who, stepping in the footsteps of his predecessor, was giving lectures and brandishing accusations at many parties and states.

Czechoslovak circles are avoiding speculation about Albania's further course. Judging by the tone of the press and the reserve of the highest political forums, no changes in Tirana are expected here "in the foreseeable future." As hitherto, Prague avoids giving any occasion for aggravating the conflict with Tirana, and it does not pay attention to the accusations by Albanian officials.

A report yesterday on the election of Ramiz Alia to the leadership of the AWP imparted to its readers the information that the new secretary was Enver Hoxha's choice.

This is the least space to date devoted by the Czechoslovak press to the death of a head of a communist party and to his successor.

CSO: 2800/308

INTERNATIONAL AFFAIRS

BRIEFS

CSSR DELEGATION IN POLAND--On 19 April, PZPR Politburo member Jozef Czyrek received a study delegation from the CPCZ CC Education and Science Department headed by Miroslav Dockal, director of the department. The delegation also attended talks in the PZPR CC Science and Education Department and met with the leadership of the Polish Academy of Sciences and of the Ministry of Science and Higher Education and Ministry of Education and Upbringing. [Excerpts] [Warsaw TRYBUNA LUDU in Polish 20/21 Apr 85 p 2 AU]

POLISH ACCORD WITH SED--A delegation of the Karl Marx Party School of the SED Central Committee visited Poland on 28-29 March under Professor Kurt Tiedke, SED Central Committee member and rector of the school. The delegation studied teaching and research work done by the PZPR Social Science Academy and had a meeting with academy officials. Marian Orzechowski, PZPR Politburo candidate member and rector of the academy, and Professor Kurt Tiedke signed an accord on scientific cooperation between the two schools. Wlodzimierz Mokrzyzszak, PZPR Politburo candidate member and Central Committee secretary, received the delegation in the presence of GDR Charge d'Affaires Dieter Zibellius and Professor Wieslaw Iskra, first deputy rector of the Social Science Academy. [Text] [Warsaw TRYBUNA LUDU in Polish 30/31 Mar 85 p 7 AU]

SED WORKING GROUP VISITS POLAND--A working group of the SED Central Committee led by Georg Muecke had talks in the PZPR Central Committee Agricultural Department and visited the PZPR Committee of Kalisz Voivodship. The group was received by PZPR Central Committee Secretary Zbigniew Michalek. [Summary] [Warsaw TRYBUNA LUDU in Polish 30/31 Mar 85 p 7 AU]

CPSU LECTURERS VISIT POLAND--A group of CPSU CC lecturers headed by V.I. Goncharik, second secretary of the Mogilev Oblast CPSU Committee, visited Poland from 9 to 19 April as part of PZPR-CPSU interparty cooperation. The delegation attended many meetings in various socioprofessional communities in several voivodships. Speeches given by the lecturers concerned the implementation of the resolutions of the 26th CPSU Congress and the tasks of ideological and party work among Soviet workers and intelligentsia milieus. The lecturers were received by PZPR Politburo candidate member and CC Secretary Jan Glowczyk. [Summary] [Warsaw TRYBUNA LUDU in Polish 20/21 Apr p 2 AU]

SOCIALIST AIRLINE GROUP MEETING--The conference of directors of the socialist states' associations has ended in Gdansk with the signing of a protocol regulating their overall cooperation in the coming 5 year period and in outline for

the following years. These associations are signatories to the Berlin Agreement of 1965. A Permanent Secretariat comprising the agreement's signatories has been set up, to be headquartered in the GDR capital, with the aim of increasing efficiency and effectiveness of cooperation. [Text] [Warsaw Domestic Service in Polish 2000 GMT 24 Apr 85 LD]

POLISH-SOVIET SCI-TECH ACCORD--Soviet and Polish scientists and specialists are completing drawing up a comprehensive program for scientific and technical development in top-priority areas. Issues connected with this program have been discussed during the talks held in the course of Deputy Premier Zbigniew Szalajda's visit to Moscow. During meetings with Guriy Marchuk, Council of Ministers deputy chairman, and with representatives of the ministries involved, the coordination of plans for the development of the two states' science and technology for years 1986-90 was also discussed. A document relating to this area was signed today. [Text] [Warsaw Domestic Service in Polish 1005 GMT 27 Apr 85 LD]

SZALAJDA DELEGATION IN KIEV--Today a delegation of the Committee for Science and Technical Progress of the Council of Ministers, including Deputy Premier Zbigniew Szalajda, visited Kiev. During a meeting with Stanislav Gurenko, deputy chairman of the Council of Ministers of the Ukraine SSR, Zbigniew Szalajda stated that many of the Polish-Soviet agreements are being implemented by scientific and research institutes and enterprises of the Ukraine SSR. Thus the further development of scientific and technical cooperation between Poland and the Ukraine is all the more important. [Text] [Warsaw Domestic Service in Polish 2000 GMT 24 Apr 85 LD]

SZALAJDA IN NOVOSIBIRSK--A delegation of the Committee for Science and Technical Progress at the Council of Ministers, led by Deputy Premier Zbigniew Szalajda, which is on a working visit to the Soviet Union, today continued talks and meetings in Novosibirsk. The delegation met the leadership of the Oblast CPSU Committee, whose first secretary, Aleksandr Filatov, informed it of the main directions of development of Western Siberia and of methods of party work in organizing economic and scientific activity. [Text] [Warsaw Domestic Service in Polish 1800 GMT 26 Apr 85 LD]

OBODOWSKI IN MOSCOW FOR TALKS--Deputy Premier Janusz Obodowski, Poland's permanent representative to the CEMA, has been in Moscow. During talks conducted at the CEMA headquarters he discussed preparations for the council's 40th session, which will be held in Warsaw in June. Janusz Obodowski also met with Nikolay Talyzin, deputy chairman of the USSR Council of Ministers, with whom he discussed essential problems of Polish-Soviet trade, cooperation, and specialization. [Text] [Warsaw Domestic Service in Polish 1800 GMT 24 Apr 85 LD]

CSO: 2600/771

ALBANIA

ALIA AT HOXHA UNIVERSITY RALLY

AU290815 Tirana ATA in English 0750 GMT 29 Apr 85

["Grand Rally on Occasion of the Granting of the Name of the Beloved Leader of the Party and People, Comrade Enver Hoxha to the University of Tirana-- Comrade Ramiz Alia, First Secretary of the CC of the PLA and Other Party and State Leaders Attend"--ATA headline]

[Text] Tirana, 29 Apr (ATA)--Thousands of students, pedagogues, pupils of the secondary schools, specialists and cadres that have been graduated in different faculties of the University of Tirana, students of the military schools, working people of educational, cultural and scientific institutions gathered yesterday before noon at the square in front of the main building of the university. They came here expressing their boundless love for the party, proud of the great honour made to them by granting the name of our beloved leader Comrade Enver Hoxha to the University of Tirana.

Cheers "the party, Enver--we are always ready" are heard when Comrade Ramiz Alia, first secretary of the Central Committee of the Party of Labour of Albania and president of the Presidium of the People's Assembly; Adil Carcani, member of the Political Bureau of the Central Committee of the party and chairman of the Council of Ministers; Lenka Cuko, member of the Political Bureau and secretary of the Central Committee of the party; Manush Lyftiu, member of the Political Bureau of the Central Committee of the party and vice-chairman of the Council of Ministers; Foto Cami, alternate member of the Political Bureau of the Central Committee of the party and first secretary of the party committee of the district of Tiranan; Llambi Gegprifti, alternate member of the Political Bureau of the Central Committee of the party; Nexhmije Hoxha, member of the Central Committee of the party; Tefta Cami, minister of education and culture and other comrades came to attend the ceremony.

Comrade Ramiz Alia and other party and state leaders meet with students, pedagogues, leading cadres of the central departments and different institutions.

Comrade Manush Myftiu greeted those present in the name of the Central Committee of the party and the Council of Ministers.

In the days of the general grief for the loss of the great leader of our party and people Comrade Enver Hoxha, the 11th Plenum of the Central Committee of the

party, in order to perpetuate his glorious figure and deed, decided that your university be granted the name "University of Tirana Enver Hoxha," said among others Comrade Manush Myftiu.

The University of Tirana was created under the direct auspices of Comrade Enver. He gave the idea of all its development and progress which he followed with special interest. The theoretical, philosophical deed of Comrade Enver has been and remains the ideological foundation of all the didactic, scientific and educational activity of the university.

The life and deed of Comrade Enver Hoxha, he continued, are the best example of the unprecedented devotion to the revolutionary ideal. For about half a century at the head of the party he defended with loyalty and consistency the teachings of Marxism-Leninism, he developed and enriched it with creative spirit, in the concrete conditions of the Albanian reality, he stood loyal and resolute in face of the revisionist distortions and treachery. He generalized with talent and rare skill the experience of the revolution and the socialist construction in Albania, leaving us a valuable ideological inheritance which illuminates the present and will illuminate also the future development of socialism.

Further on Comrade Manush Myftiu continued that Comrade Enver Hoxha knew how to express through his deed and thought the most ardent aspirations and desires of our people for light and knowledge, his great thirst for education, the dreams and aims of the great patriots of our national renaissance for schooling, science and culture, for the progress of our nation. Only in the epoch of the party in the Albania of Enver Hoxha their desires and noble ideals for the progress of the nation were realized, the university, higher schools, the Academy of Sciences and a number of other scientific and cultural institutions were set up.

Over the years of the people's power, a deep ideological and cultural revolution has been carried out in our country. A new culture with national spirit and socialist content, an educational system of all links that trains cadres of most different specialities for the needs of all the sectors of the economy and culture have been created.

The interest, teachings and orientations of the party and Comrade Enver Hoxha have played a decisive role in the development of education, culture and science. They have defined the physiognomy of our socialist school, profoundly democratic, as a school for all, which does not belong to an elite but to the broad masses of the people.

The theoretical scientific thought of Comrade Enver has been masterfully manifested in the revolutionization of our school. His ideas for education, the role of the school and culture in society are a great contribution to the creative development of the pedagogical Marxist-Leninist thought.

With the courage of a far-sighted revolutionary and with the unshakeable faith in the intellectual capabilities of the sons of the people he orientated, led and directed the process of the scientific progress of our country.

The Central Committee of the party expresses the deep conviction that the pedagogical staff and the students of the university will keep aloft the name of Enver Hoxha and that they will respond to this great honour by multiplying the forces to put into life his teachings and instructions. Let the life and deed of Comrade Enver Hoxha be a brilliant example to the students and pedagogues of the university, to all our youth and cadres, let it be an appeal for loyalty to the lofty communist ideals, to the great cause of the party, the brilliant [word indistinct] of the homeland. In conclusion, Comrade Manush Myftiu said: Let us steel the unity round our glorious party, its Central Committee with Comrade Ramiz Alia at the head and let us find new forces to march surely on the road open by our great leader and teacher Comrade Enver Hoxha [no quotations marks as received]

Then, he handed over to the rector of the university Prof Osman Kraja the decision for the granting of the name of the beloved leader of the party and people Comrade Enver Hoxha to the University of Tirana.

In these moments of great emotions, said among others the rector of the university Prof Osman Kraja in his speech on the occasion, when the party honours with the glorious name of Enver Hoxha our University of Tirana, we, its working people and students, with the heart full of grief but with an unshakeable faith that we shall turn it into strength, we bow with respect before his brilliant immortal figure and thank wholeheartedly the Central Committee of the party for the great honour made to the University of Tirana and all the higher education in our country. [sentence as received]

We and the coming generations he said in conclusion, will try uninterruptedly that the University "Enver Hoxha" reach high peaks that respond to the name of Enver Hoxha.

Then Prof Aleks Buda, president of the Academy of Sciences greeted in the name of the scientific working people, students of the University "Enver Hoxha" and of the other higher institutions of the country greeted as well at the rally.

From the rally a telegram was sent to the Central Committee of the party.

Amidst the enthusiasm and applauses, Comrade Ramiz Alia greets those present in the rally saying: Long live the University of Tirana "Enver Hoxha." Long live our heroic youth, the youth of labour, the youth of knowledge, the youth of the rifle." [quotation marks as received] Powerful cheers burst into the square.

Then Comrade Ramiz Alia, amidst this atmosphere, uncovered the slab with the inscription "University of Tirana Enver Hoxha."

Then Comrade Ramiz Alia and the other party and state leaders went to one of the offices of the rectorate of the university together with students and pedagogues. In the talks made there, Comrade Ramiz Alia said among others:

Keep with honour the name of Comrade Enver Hoxha granted to your university. When the Central Committee of the party decided to give this name to the university, through this it honoured and gladdened the entire youth of Albania. The future cadres of the country are trained in the university. As the comrades and students that spoke said, the granting of this name to the university is a honour but at the same time a greater devotion on the part of the students, pedagogues, the entire youth. Our university merited this name, Comrade Ramiz Alia said.

Comrade Ramiz Alia stressed that Comrade Enver Hoxha has said that the science does never make progress without having on its foundations the Marxist-Leninist ideology. But when we say the Marxist-Leninist ideology we should bear in mind the teachings of Comrade Enver who enriched it in the conditions of our country. And these are not abstract but concrete lessons. They are lessons drawn from the struggle and work of the party, from the struggle and work of the working class, peasantry and all working masses. When we say let us put into life the teachings of Enver Hoxha in the university this does not mean only the social sciences. These teachings, which we find in all his works, should be introduced in all the faculties, be analyzed and translated into life. Our university, Comrade Ramiz Alia instructed among others, should not be only a didactic institution, but it must also be an important scientific institution.

After speaking of "The University Enver Hoxha" as a great center of the Albanian culture and science, Comrade Ramiz Alia stressed the great role of the youth in all the life of our country and especially of the student youth, and expressed the faith that the youth of "The University Enver Hoxha" will further increase its demands to learn.

You undertook a great pledge, Comrade Ramiz Alia said to the pedagogues and students, when you supported the initiative "standard bearers in implementing the teachings of Comrade Enver Hoxha."

This is not only a great honour but a major duty as well. To be standard bearers of the teachings of Comrade Enver Hoxha means to understand them profoundly concrete conditions of our country. [as printed] I have absolute confidence, Comrade Ramiz Alia said, that our student youth will always march forward according to the teachings of Comrade Enver Hoxha, we have a heroic youth, he added, a political by [as received] matured youth, a youth that loves the party, the homeland and socialism because the party, homeland and socialism are flesh and blood of our youth. The party calls on the youth to learn, to master the teachings of Comrade Enver Hoxha as profoundly as possible, to strive to translate them into life. There is no doubt that as always the youth will be at the forefront of the enthusiasm with which the entire Albanian people, the working class, the cooperativist peasantry are responding today to the call of the party to turn the grief into strength, to work with might and main for the good of the homeland.

Therefore, on this happy day for you and for us, Comrade Ramiz Alia said, I wish that the "Enver Hoxha" University of Tirana forge ahead, that it advance and flourish, that the Albanian science and education be raised higher and higher just as Comrade Enver Hoxha wanted them.

Comrade Ramiz Alia and the other party and state leaders were presented with an album on the road and activity of the university since its founding and with a collection in which students and pegagogues have expressed in verses their profound grief over the loss of the beloved leader, Comrade Enver Hoxha, their boundless love for the party and their determination to march always ahead on the road of socialism having the teachings of the party and Comrade Enver Hoxha in mind and heart.

Comrade Ramiz Alia and the other comrades left the "Enver Hoxha" University amidst the enthusiastic acclamations of those present.

CSO: 2020/117

ALBANIA

ALIA GREETES BORDER GUARDS

AU261339 Tirana ATA in English 0900 GMT 26 Apr 85

["Message of Greetings of the First Secretary of the Central Committee of the PLA Comrade Ramiz Alia Addressed to the Soldiers, Sub-officers and Officers of Border Forces--Solemn Meeting in Tirana"--ATA headline]

[Text] Tirana, 26 Apr (ATA)--Forty years were completed yesterday since the border forces of the PSR of Albania were created under the solicitude of the party and the beloved leader of the party, and people, Comrade Enver Hoxha personally. On this occasion the party committee of Tirana District and the Ministry of Home Affairs organized a solemn meeting which was attended by border guards, veterans, cadres, military men, etc.

Present were also the member of the Political Bureau and secretary of the Central Committee of the party, Comrade Simon Stefani; the member of the Political Bureau of the Central Committee of the party and minister of home affairs, Comrade Hekuran Isai, the alternate member of the Political Bureau of the Central Committee of the party and first secretary of the district party committee, Comrade Foto Camign, the vice-president of the Presidium of the People's Assembly, Comrade Xhafer Spahiu, the chief of the army general staff, Kico Mustaqi and other comrades.

The meeting was declared open by Comrade Hekuran Isai who said among others that this anniversary is being observed only a few days after the loss of the most beloved son, the most outstanding personality and the greatest figure the Albanian land has ever given birth to, the founder of heroic party, the teacher, leader, strategist and architect of the national liberation war and the construction of socialism in Albania, Comrade Enver Hoxha. Comrade Enver Hoxha parted only physically from the party it created, from the people whom he loved so much, his name and great deed will remain immortal in our minds and hearts, because it has colossal values today and for the coming generations. Just like our entire people who are feeling the deep grief for the loss of our unforgettable commander, the border forces, all the effective of the Home Affairs Ministry are striving to turn their grief into strength as Comrade Enver Hoxha used to instruct us. Comrade Enver Hoxha is the founder, commander and teacher of border forces, too.

Comrade Enver, Comrade Hekuran Isai continued further on, left us a flourished Albania, a pure party tempered in battles, left us the last will that we should safeguard these victories and carry them forward. The party and people, together with them the effectives of the Ministry of Home Affairs, have sworn that we shall realize honourably this last will. Our veneration for the deed of Comrade Enver, for everything he has made for the people and the party is our determination and revolutionary optimism to march on his road, to master and carry into effect his teachings, to be always vigilant, always at work and ready to safeguard and carry forward the attained victories.

In token of veneration and profound respect for the brilliant deed and unforgettable memory of Comrade Enver Hoxha, those present kept a 2-minute silence.

Comrade Simon Stefani read out the greeting of the first secretary of the Central Committee of the party, Comrade Ramiz Alia addressed to the soldiers, sub-officers and officers of the border forces on occasion of the 40th anniversary of its creation.

Today, you have gathered on the occasion of the 40th anniversary of the creation of the border force, an event which today finds us overwhelmed with a profound grief over the loss of the founder of the party, the architect of the new Albania, the general commander, our beloved leader and teacher, Comrade Enver Hoxha, the greeting says among the other things, but our party and people are turning this great pain into force and, with more closed ranks, are determined to forge ahead.

Your duty is as difficult as noble, therefore, the people have you always in their heart and the party shows and will always show care for everything that has to do with your work and life.

You are sons of this people, who have never put anything over the freedom and independence of the homeland, the national dignity, who have never done harm to anybody, but who have not allowed the others to trample their rights under foot. Today we honour with special veneration the deed of the border guards, the heroes of the people, martyrs and all those rank-and-file people who laid down their lives to defend and safeguard the borders.

The 40 years of the activity of your heroic arms service, are full of acts of the love for the homeland, lofty vigilance and revolutionary feeling in performing the very responsible duty the people and party have entrusted it with.

The Central Committee is convinced that you will continue to preserve as the apple of the eye, to strengthen and temper further the ties with the people and be on guard day and night in compliance with the demands of the time. These great and vital tasks become still more indispensable due to the situations that develop in the world today far from and near our country, the counterrevolutionary actions and the political-military plots of the superpowers, the United States and the Soviet Union, the revisionists and reactionaries of all hues.

Amidst the applauses of those present, Comrade Simon Stefani handed the greeting to Comrade Hekuran Isai.

Then the vice-minister of home affairs, Ferit Zeneli held the speech on the occasion.

After him, Comrade Xhafer Spahiu took the floor. He handed over the high decoration "The Order of Freedom, First Degree" that the Presidium of the People's Assembly has awarded to the forces on the border for loyalty to the Marxist-Leninist line of the party and the teachings of Comrade Enver Hoxha, for the realization of the tasks to safeguard the state borders of the PSR of Albania, for vigilance and high combat readiness and for close links with the inhabitants of the border zones and with the structures of the armed forces.

Then the message that the youngsters of the border forces, of the border zones sent to the Central Committee of the party, was read out. The message which passed from hand to hand, from one heart to another along our border, near the lapidaries, mountains and cultivated plains of our socialist homeland, expressed once more the boundless love for the party, the determination to put into life its teachings and those of Comrade Enver Hoxha.

CSO: 2020/117

ALBANIA

AWP CC, GOVERNMENT THANK FOR CONDOLENCES

AU251221 Tirana ATA in English 0900 GMT 25 Apr 85

["Message of Thanks"--ATA headline]

[Text] Tirana, 25 Apr (ATA)--During all these days of great grief that overwhelmed our people by the death of the glorious leader, the founder of the party and the new Albania, Comrade Enver Hoxha, the Central Committee of the Party of Labour of Albania, the Presidium of the People's Assembly of the People's Socialist Republic of Albania, the Council of Ministers of the People's Socialist Republic of Albania, the first secretary of the Central Committee of the Party of Labour of Albania, Comrade Ramiz Alia have received thousands of telegrams, letters and messages of condolences. They have been sent by party organizations and working collectives, mass organizations, educational and scientific institutions, agricultural enterprises and cooperatives, units of the People's Army, veterans of the national liberation war and martyrs' families, young boys and girls, compatriots residing abroad and others.

These messages, letters and telegrams express the indescribable grief of all our people over the death of our beloved teacher and Comrade Enver Hoxha and the determination to be always loyal to his deed and teachings, they also express the determination to march forward on the road designed and for which Comrade Enver thought of and worked with might and main to enhance always the revolutionary vigilance towards every internal and external enemy. Through letters, telegrams and messages, the communists and the working masses, our entire people, assure the party and its leadership that they will close still more their ranks round the party, will work still more for the all-sided progress of the country on the road of socialism and that they will fight uninterruptedly for the strengthening of the defence of the homeland, its freedom and independence.

Several collective and working people have reported that they are working with a greater mobilization than until now to realize the tasks and have taken numerous pledges to fulfill and overfulfill the plan of 1985, which is the last year of the Seventh Five-year Plan. All these show of the determination of our heroic people to turn the grief into a great creative and construction for the strengthening and the progress of the homeland.

The strength and maturity of our people in these days of profound grief are a great guarantee that our people united as a single body round the party and under its wise Marxist-Leninist leadership, will make Albania, just as Comrade Enver taught us, a powerful prosperous and advanced socialist country, that they work untiringly, as he fought and worked to raise its name higher.

Thanking you all, dear comrades, sisters and beothers, for the condolences you sent us, we assure you that the leadership of the party and state, together with our entire glorious people, will march always on the road indicated by Comrade Enver, will defend unwaveringly his deed, will resolutely apply his immortal teachings.

We cordially thank all our compatriots, wherever they are, for the condolences they have sent and the feelings of solidarity and profound grief they have expressed. Their love, respect and veneration for Comrade Enver Hoxha, are a great encouragement for our people to work untiringly for the progress of our homeland and to raise high the name of the People's Socialist Republic of Albania.

Glory in centuries to Comrade Enver Hoxha, our great teacher and leader.

The Central Committee of the Party of Labour of Albania.

The Presidium of the People's Assembly of the People's Socialist Republic of Albania.

The Council of Ministers of the People's Socialist Republic of Albania.

The General Council of the Democratic Front of Albania.

Tirana, April 24, 1985.

CSO: 2020/112

ALBANIA

ISAI, MUSTAQI ATTEND BORDER GUARD ANNIVERSARY

AU251159 Tirana ATA in English 1000 GMT 25 Apr 85

[Text] Tirana, 25 Apr (ATA)--In the context of the 40th anniversary of the creation of the border forces, border guards and inhabitants of the border zoners, heroes of the people, veterans of these forces and military men went to the martyrs' graves of the nation yesterday before noon and paid homage to the grave of the beloved leader of the party and people, the legendary leader of the national liberation war, the heroic commander, Comrade Enver Hoxha. They honour with the fist up and respect the memory of the brilliant and immortal deed of Comrade Enver Hoxha and pledge that they will be always vigilant to allow no one, whoever he be, to violate and negate our immortal and sacred deed, the People's Socialist Republic of Albania.

Wreaths were laid on the grave of Comrade Enver Hoxha.

Homage were also paid to the grave of the martyrs of the national liberation war and to those who laid down their lives to safeguard the attained victories in struggle with the external and internal enemies.

In the context of this anniversary, a jubilee session was organized in Tirana. Attending it were also the member of the Political Bureau of the Central Committee of the party and Minister of Home Affairs Hekuran Isai, the chief of general staff of the army, Kico Mustaqi and other comrades.

Those present stand on feet and keep a 2 minute silence in token of veneration for the unforgettable memory of Comrade Enver Hoxha.

The papers "Let Us Raise to More Scientific Basis the Art of Defending the State Borders of the PSRA" and some other papers on the leadership of the party as a decisive factor in all the victories of the border forces, on the support of the people and the cooperation with the voluntary forces of people's self-defence, important factor for safeguarding the borders, on the role and activity of the youth organization in the continuous revolutionizing of the service in the border, etc, were read out in the session.

On occasion of this jubilee, a photo exhibition was opened with aspects from the combat and political trainings of the borderguards.

Many photos show aspects from the meetings of Comrade Enver with border guards and inhabitants of the border zones, the close links of the border guards with the people, their readiness in protecting the sacred borders of our socialist homeland, etc.

CSO: 2020/112

ALBANIA

CARCANI VISITS TIRANA TRACTOR PLANT

AU301222 Tirana ATA in English 0900 GMT 30 Apr 85

[Text] Tirana, 30 Apr (ATA)--Yesterday afternoon, the member of the Political Bureau of the Central Committee of the party and chairman of the Council of Ministers, Comrade Adil Carcani, accompanied by the first secretary of the party committee of the district of Tirana, Comrade Foto Cami, paid a visit to the "Enver Hoxha" automobile and tractor combine.

He was welcomed by the director of the combine, Comrade Llambi Gegprifti, leading cadres of the Ministry of Industry and Mining, specialists and workers.

At first Comrade Adil Carcani went to the new engineering plant, where he met with workers and specialists, who acquainted him with the work and the results attained in the increase of production and the diversity of the spare parts. Then he visited the new factory of upgrading the quartz sands, fruit of the creative, designing and constructive work of specialists and workers of the combine. This new project will fulfill the needs of the foundries of the whole engineering industry.

Comrade Adil Carcani congratulated the workers and specialists for having set up this factory self-reliantly and instructed them to further extend it.

A meeting was organized in one of the halls of the combine. Attending were workers, technologists, engineers and specialists of plants and different sectors.

Comrade Llambi Gegprifti informed Comrade Adil Carcani of the lofty spirit of mobilization and the achievements of the working people to fulfill the tasks of the plan, who turning into strength the grief over the loss of the beloved leader of the party and people, Comrade Enver Hoxha are working with a greater mobilization to implement the targets of the revolutionary initiative "standard bearers in implementing the teachings of Comrade Enver Hoxha."

Comrade Adil Carcani pointed out the great grief of the entire party and people over the loss of the most respected man, Comrade Enver Hoxha, and spoke of the life and brilliant deeds of our beloved leader. He said that Comrade Enver Hoxha devoted all his life to the party, people, homeland, whom he loved so much and for whom he worked and strove untiringly for the happiness, prosperity and progress of the present and coming generations of socialist Albania.

Greeting those present on behalf of the Central Committee of the party and the first secretary of the Central Committee of the party, Comrade Ramiz Alia personally, Comrade Adil Carcani congratulated the collective of the combine as an initiator of the revolutionary movement of great ideological, economic and social importance, "standard bearer in implementing the teachings of Comrade Enver Hoxha," for the noble pledges it has undertaken, thus setting its example to all the district of Tirana, to the whole country, to every sector of the life and activity, to re-examine more deeply the tasks of this year, to further and overfull them, relying on the better exploitation of inner reserves.

Further on he pointed out the great care of the party and Comrade Enver Hoxha for the development of engineering industry in our country and particularly for the setting up of the combine, which constitutes the foundation of this industry. Comrade Adil Carcani gave instructions to further increase production of spare parts, to intensify the designing and scientific work to increase the diversity of spare parts, to improve technology and quality of their production. He expressed his conviction that the collective of the automobile and tractor combine, initiator of many revolutionary movements, will always be in the van of the struggle and work to realize all the set tasks and will always carry aloft the name of the respected and glorious leader of the party and people, Comrade Enver Hoxha.

CSO: 2020/117

ALBANIA

TIRANA MEETING ON VIETNAMESE ANNIVERSARY

AU301226 Tirana ATA in English 0925 GMT 30 Apr 85

[Text] Tirana, 30 Apr (ATA)--On occasion of 10th anniversary of the victory of the struggle of the Vietnamese people against the American imperialists for the complete liberation of the country, the Albanian Committee for Cultural and Friendly Relations With Foreign Countries and the Presidency of the Council of Democratic Front of Tirana District organized a solemn meeting in one of the halls of the Palace of Culture in the capital yesterday.

Present were working people of work and production centers, veterans, military men, students and school pupils.

Also attending were Minister of Home Trade Osman Murati, Vice Minister of Foreign Affairs Muhamet Kapllani, Vice Minister of People's Defence Jace Lula, Chairman of the Albanian Committee for Cultural and Friendly Relations With Foreign Countries Jorgo Melica and other comrades.

Present was also the ambassador extraordinary and plenipotentiary of the Socialist Republic of Vietnam in Tirana, Hoang Quoc Tin.

The speech on occasion was held by the chairman of the district council of the democratic front, Omer Haxhia.

Then the ambassador extraordinary and plenipotentiary of the SR of Vietnam Hoang Quoc Tin greeted.

A Vietnamese feature film was screened for those present.

On this occasion the photo-exhibition "Views from SR of Vietnam" was opened in one of the halls of the Palace of Culture.

CSO: 2020/117

ALBANIA

CAMI ARTICLE EXTOLS HOXHA LIFE, TEACHINGS

AU281423 Tirana ATA in English 0940 GMT 28 Apr 85

["Comrade Enver Hoxha--The Founder, Organizer and Leader of Our Glorious Party"--ATA headline]

[Text] Tirana, 28 Apr (ATA)--Under the above title the newspaper ZERI I POPULLIT carries today an article written by Foto Cami, alternate member of the Political Bureau of the Central Committee of the Party of Labour of Albania, which says among others:

Each time we speak of the founding of the party we have seen it closely linked with the special role that Comrade Enver Hoxha has played. "The great act performed by Enver Hoxha on that turbulent dark November night in 1941 through the founding of the Communist Party, Comrade Ramiz Alia underlined at the funeral meeting in the capital provided the Albanian people with the light they were lacking, provided them with the mind to see into the future, provided them with the staff which would lead them in the titanic life and death struggle. The burden that the Albanian communists carried was heavy for their young shoulders. But they carried it with honour till the end because they were led by a great leader who knew well what was demanded and which road was to be taken."

Testimony to a great maturity and far-sightedness, to a completely original solution out of any narrow scheme [as received] is the fact that the Communist Party of Albania was created in a country where the working class was rather small in number and not formed as a class. It carried out with honour its mission as a party of the working class, because since the beginning it put on its foundations the revolutionary ideology of the working class, it was formed as a party of the new type with ideological, organizational, strategic and tactical Marxist-Leninist basis, following the example of the Bolshevik Party of Lenin and Stalin.

Under the leadership of Comrade Enver Hoxha, the party since its first step elaborated a revolutionary program for the national liberation war and showed that it was able to set an example in implementing this program. For this reason the party won that indisputable authority and as never seen in the history of the international communist movement, within less than one year, it was affirmed as the sole leadership in the liberation struggle on national scale.

In order to accomplish the great task of organizing and leading the war, Comrade Enver Hoxha worked ceaselessly for the organizational consolidation of the party, for the unity in its ranks.

The most important experience of our party, since its founding, and the great contribution of Comrade Enver Hoxha stands first of all in the essence of the tasks that the party laid before itself for solution. In this process, the party and Comrade Enver Hoxha showed rare organizing capabilities, a creative and revolutionary spirit.

The original solutions to many difficult situations, to a series of fundamental problems laid during the national liberation war are an experience in the treasure of Marxism-Leninism, which Comrade Enver Hoxha has treated of and substantiated in his works, whereas the revolutionary practice of our party has proven them as indispensable and correct solutions. All these embrace a wide sphere which is linked with the unity of the people and the creation of the antifascist national liberation front, with the organization of the armed uprising and the partisan army, with the ruining of the old power and the establishment of the new people's power, the proper consideration of the foreign allies in the war, the interlacement of the national liberation war with the people's revolution, etc.

The entire road of our party is glorious and heroic, since it was founded in waves and storms. It has waged many struggles but it has never suffered failures. This is attributed to its correct, consistent Marxist-Leninist line, the creative thought of genius of Comrade Enver Hoxha. Since in the first resolution it was pointed out that the national liberation war of the Albanian people is part and parcel of the great world antifascist front. But the party preserved consistently the identity of the war of our people, resolutely barring the way to the attempts to interfere in the internal affairs, be they from the Anglo-American allies or the neighbours.

The history of our party in the great struggle for the construction of socialism is as great, magnificent and militant as that of the war. This is based on all the line and policy of the party in economy, defence, in art, culture, it is noticed in the fierce ideological struggles with the modern revisionists of different hues to defend the banner of the ideas of Marxism-Leninism, it is noticed in the unprecedented resistance to the threats and successive blockades imposed by the imperialist-revisionist encirclement.

During all his life, Comrade Enver Hoxha has worked and fought for the consolidation of the party, for its higher leading role, for its continuous tempering, the steeling of the unity in its ranks, the consolidation of the ties with the people. The measures taken in our country on the initiative and with leadership of Comrade Enver Hoxha for the further revolutionization of the party and the entire life of the country were of decisive importance.

These make up the great theoretical and practical contribution that Comrade Enver Hoxha has made to the Marxist-Leninist doctrine on the party, like in all the other fields.

ALBANIA

HOXHA WIDOW EXPRESSES THANKS FOR CONDOLENCES

AU281501 Tirana ATA in English 0730 GMT 28 Apr 85

["Message of Thanks"--ATA headline; message from Nexhmije Hoxha, widow of Enver Hoxha, expressing gratitude for condolences received on Hoxha death--message dated 28 April]

[Text] Tirana, 28 Apr (ATA)--Dear comrades, mothers and fathers, brothers and sisters, young men and women, and you children, pioneers of Enver.

In the family name we thank you wholeheartedly for the warm and sincere condolences you expressed to us through thousands of messages, and during the visits you paid to our house, on the loss of my husband, my comrade of arms and work, on the loss of our dear father and brother, Enver.

During all these grave and extremely painful days for us, the young and old, our entire people as well as the patriot Albanians, comrades, friends and well-wishers everywhere in the world cried for Enver. Our profound grief was shared with the great grief that the entire Albanian nation was overwhelmed with. In those moments we had with us all the people, we had the comrades of the party and the close collaborators of Enver. This presence, the warm words, the expression of the boundless respect and love for Comrade Enver gave us strength to overcome our grief, so that the people be not further desolated. Enver would not have liked this.

Through the unprecedented love for Enver we saw and felt the love for the party he founded and steered as a vanguard party, which with Comrade Enver in the lead and together with the people, ruined all the enemies, internal and external ones and ensured the freedom and independence of the country, the new socialist life.

In these moments of great grief for the party and the people, you expressed with a new and unseen force the unity of the people round the party and its leadership, that consciousness, discipline and high political responsibility which make us overcome the grief and turn it into strength to defend and carry forward the immortal deed of the party, the people and Enver--the socialist Albania.

These things and the extreme mobilization of the entire people these days to realize and overfulfill the plans, to remain loyal to Marxist-Leninist safeguard and consolidate the victories won with so much blood, toil and sweat for about 45 years under the leadership of the party with Comrade Enver Hoxha at the head, are a guarantee for the brilliant sure future.

Enver parted from us only physically, but he left his teachings written not only in books, but embodied in concrete deeds that we see, live and enjoy. He left a party pure from enemies, an ideologically and politically pure party, a tempered party with a strong organization, he left a revolutionary Marxist-Leninist leadership linked with the people and tempered through many battles, beginning with the national liberation war and later for the construction of socialism, the one more heroic than the other. [as received] He was proud of his comrades, collaborators tempered near him in all these numerous struggles and difficulties to construct and defend the new life, as well as in struggle with the internal and external enemies.

Comrade Enver had much faith in and appreciated very much his close collaborator, Comrade Ramiz Alia, in whom he saw a revolutionary embodying the capabilities, courage, wisdom and determination needed to carry forward the complete construction of socialism at the head of the Central Committee of the PLA.

Enver did not allow the leadership of the party to grow old. During some five year plans, through his Marxist-Leninist thought and his revolutionary experience, he nurtured and prepared new cadres who are working full of energies, with wisdom and self-denial, in the center and in the districts, in the party, power [as received] in social organizations in the army, etc.

With this leadership, with this party and people, our Albania will stand as an invincible fortress of triumphant socialism with an economy and culture in constant progress, honoured and respected in the world.

Once more dear comrades, mothers and fathers, sisters and brothers dearest young men and women, you Enver pioneers who Enver loved, he thought and cared so much of your present and future, as well as you compatriots far from the country, foreign respected comrades and friends, we thank you all for the condolences you sent us.

On this occasion we promise the party and people that together with our family, we will follow in every step the teachings of Enver and the advice he gave us all the time to be always modest, closely linked with the people, to march always on the road of the party, to remain loyal to the ideals of Marxism-Leninism.

These are for us the last sacred wills of Enver.

Long live the party.

Nexhmije Hoxha

28 April 1985.

CSO: 2020/117

ALBANIA

PAPERS' TREATMENT OF HOXHA'S DEATH, FUNERAL

AU191359 [Editorial Report] Tirana ZERI I POPULLIT in Albanian of 12 through 16 April have a black border on their front page, with the exception of the 14 April issue. All four papers have a 3 x 6 inch box at the top right-hand corne, with slogans stating that Enver Hoxha will remain immortal, that his work will live throughout the centuries in the heart and mind of the Albanian people.

They also carry numerous photographs. ZERI I POPULLIT on 12 April carries on page 1 a 5 x 14 inch photograph showing the open coffin with Hoxha's body on a bier covered with flowers and wreaths. Party and state leaders are lined up on both sides of the coffin, with Ramiz Alia and Adil Carcani on opposite sides at the head of the coffin. The photograph is about one-third down from the top of the page and extends right across it. Also on page 1, another photograph shows Alia and Nexhmije Hoxha seated. A caption says that Alia is offering his condolences. A 6 x 15 inch strip at the top of page 2 contains two photographs showing people going into and coming out of the building of the Presidium of the People's Assembly, where Hoxha's body was lying in state. This page has two black borders at the top and bottom. Page 3 contains two photographs of the living Hoxha, one showing holding a worker by the arms. There are no photographs on page 4, which publishes a number of foreign news items. The paper publishes on pages 1, 2, and 3 reportages from Tirana and other districts, describing the grief of people, statements by them, and so forth.

ZERI I POPULLIT of 14 April publishes on page 1 the communique of the 11th AWP Central Committee held on 13 April 1985, and related decisions, in bold print and with big headlines. A 5 x 8 inch photograph placed at right center shows Enver Hoxha and Ramiz Alia seated next to each other. There is no caption to indicate when the photograph was taken. Page 2 of the same issue contains a 5 x 7 inch photograph without caption showing the widow, Nexhmije Hoxha, and presumably her children and an old woman next to Hoxha's coffin. Page 3 shows a 4 x 7 inch photograph of Enver Hoxha among people dressed in folk costumes. Page 4 contains telegrams from foreign heads of state and parties, and excerpts from comments by foreign press and radio.

ZERI I POPULLIT of 15 April contains a 5 x 7 inch center-left photograph of Ramiz Alia and Nexhmije Hoxha by the coffin. A 5 x 14 inch strip at the

bottom of the page shows people coming out of the Presidium building. Page 3 contains two photographs. The first, 5 x 7 inches shows Hoxha visiting an old friend; the second photograph, 4 and [indistinct] x 5 inches, shows Enver Hoxha in uniform, distributing land deeds to peasants immediately following the agrarian reform. There are no photographs on page 4, which contains more telegrams from heads of state and parties.

ZERI I POPULLIT on 16 April publishes three pictures on page 1; the first, 7 x 7 inches, shows Alia and Carcani head on carrying the coffin; only two or three other people are visible. A 6 and 1/2 x 14 inch strip at the bottom of the page includes two photographs: the first, 4 and 1/2 x 6 and 1/2 inches, shows Alia delivering the funeral oration, and, next to it, a view of the flag-covered coffin on a gun carriage, a guard of honor, and crowds in the background of Skanderbeg Square in Tirana. A 5 x 15 inch strip at the bottom of page 2 shows the crowd.

A 4 and 1/2 x 14 and 1/2 strip across the top of page 3 shows members of Hoxha's family and party and state leaders lined up, presumably at the cemetery. A 5 x 6 and 1/2 inch center-page photograph shows Nexhmije Hoxha and presumably members of the family placing a bouquet of flowers on the grave.

Tirana BASHKIMI in Albanian for 13, 14 and 16 April also contain photographs, some of them identical with the ones published in ZERI I POPULLIT.

CSO: 2020/112

ALBANIA

STATE FARM RENAMED AFTER ENVER HOXHA

AU241745 [Editorial Report] Tirana Domestic Service in Albanian at 1330 GMT on 24 April broadcasts a 7-minute recorded reportage on a ceremony held at the Plase Agricultural Enterprise, in Korce District, which has been renamed "The Enver Hoxha Agricultural Enterprise" of Plase. A reporter says that a large number of workers and cadres from the enterprise, as well as from neighboring cooperatives, from industrial enterprises in the city of Korce, schoolchildren, and others were present. The ceremony was also attended by "Rita Marko, AWP Central Committee Politburo member and deputy chairman of the Presidium of the People's Assembly; Qirjako Mihali, AWP Central Committee Politburo candidate member and deputy chairman of the Council of Ministers; Pilo Peristeri, AWP Central Committee member; Sotir Kocollari, president of the General Council of Albanian Trade Unions; Themie Thomai, minister of agriculture; and Dhimiter Petro, first secretary of the Korce District AWP Committee, and others."

The reporter says that Dhimiter Petro delivered a speech on the occasion. He expressed the enterprise workers' deep honor in having their enterprise renamed after Enver Hoxha, outlined its achievements, stressed Enver Hoxha's constant solicitude for its progress, and pledged redoubled efforts by the workers and cadres to raise production. The reporter then states that Qirjako Mihali, the next speaker, greeted those present in the name of the AWP Central Committee and said that Hoxha's loss had "affected every Albanian heart," and that "all Albania has wept rivers of tears." He went on to say that Enver Hoxha "worked and struggled tirelessly for the happiness, prosperity, and happiness of the present and future generations in Socialist Albania." Mihali stressed the great transformations in Albanian agriculture under the party's and Enver Hoxha's guidance. Further on he gave credit to Enver Hoxha for the creation of higher-type agricultural cooperatives, as a stage in their transformation into agricultural enterprises, and mentioned Enver Hoxha's constant interest in the progress of the Plase agricultural enterprise, its development, and the well-being of the workers. He concluded by expressing the belief that the enterprise will achieve even greater progress in the future.

A letter was sent to the AWP Central Committee by the meeting.

CSO: 2020/112

ALBANIA

BRIEFS

CAMBODIAN MOURNING FOR HOXHA--Tirana, 17 Apr (ATA)--Referring to the CAMBODIAN NEWS AGENCY, SPK, the VIETNAMESE NEWS AGENCY VNA reports that upon the decision of the CC of the Revolutionary People's Party, the Council of State, the National Assembly, the Council of Ministers of Cambodia, national mourning was proclaimed in Cambodia yesterday on the occasion of the passing away of Comrade Enver Hoxha, first secretary of the Central Committee of the Party of Labour of Albania, chairman of the Democratic Front and commander of armed forces. The flag was lowered at half mast in all the Cambodian public institutions and all the cultural activities were suspended. [Text] [Tirana ATA in English 1040 GMT 17 Apr 85 AU]

VIETNAM, BURKINA FASO MOURNING--Tirana, 15 Apr (ATA)--The VIETNAMESE NEWS AGENCY VNA reports that the Council of Ministers of the Socialist Republic of Vietnam proclaimed national mourning to honour the memory of Comrade Enver Hoxha. A communique published in the main newspapers of the country instructs the public institutions far and wide in the country that on April 15 and 16 lower the Vietnamese national flag at half mast and to suspend all the cultural activities during these days. Likewise, reports from Ouagadougou capital of Burkina Faso report that the National Council of the Revolution of Burkina Faso decided to proclaim April 15, day of national mourning to honour the memory of Comrade Enver Hoxha. [Text] [Tirana ATA in English 0745 GMT 15 Apr 85 AU]

VIETNAM WREATH AT HOXHA'S COFFIN--Tirana, 15 Apr (ATA)--Yesterday the ambassador of the Socialist Republic of Vietnam to our country Hoang Quoc Tin, laid a wreath by the coffin of the outstanding leader of the party and the Albanian people Comrade Enver Hoxha, on behalf of Comrade Le Duan, secretary general of the Communist Party of Vietnam. [Text] [Tirana ATA in English 0830 GMT 15 Apr 85 AU]

ALBANIAN PRETENDER KING LEKA--Vienna, 12 Apr (AFP)--In a statement issued in Paris, the pretender to the Albanian throne, King Leka, said that the "danger of Soviet expansion into the Balkan region and, therefore, the Adriatic and the Mediterranean" had been heightened by Mr Hoxha's death. He added, "It is not only the Albanian nation's future that is in the balance, but also the future of the entire Balkan region." The king, 46, said that Mr Hoxha's death marked the passing of an era and forecast "a period of instability within our country, which will directly affect the Albanians in our ethnic areas

in Yugoslavia and indirectly affect stability in the Balkans." Leka, who was on his way to the United States, said Mr Hoxha's successors would have great difficulty in continuing the "oppressive control of the natural aspirations of the people of Albania." He called on all "nationalist Albanians" inside and outside the country to join together to protect Albania's "national integrity" and to help the creation "within our ethnic borders of a free and democratic nation." [Text] [Paris AFP in English 1125 GMT 12 Apr 85 AU]

CONDOLENCES FROM NICARAGUA'S ORTEGA--[Message of condolences addressed to Ramiz Alia, chairman of the People's Assembly Presidium, from Daniel Ortega Saavedra, president of the Republic of Nicaragua]--I convey the profound condolences of the Nicaraguan people and government to the fraternal people and the Government of the People's Socialist Republic of Albania, on the unexpected death of Comrade Enver Hoxha, first secretary of the AWP Central Committee. Please accept sentiment of sincere solidarity. [Text] [Tirana ZERI I POPULLIT in Albanian 16 Apr 85 p 4 AU]

CSO: 2020/112

BULGARIA

ZHIVKOV TOASTS FINLAND'S KOIVISTO AT OFFICIAL DINNER

AU261357 Sofia RABOTNICHESKO DELO in Bulgarian 24 Apr 85 pp 1, 2

[Speech by Todor Zhivkov, BCP Central Committee general secretary and chairman of the State Council, at official dinner for Finnish President Mauno Koivisto, in Sofia on 23 April]

[Text] Esteemed Mr President, Esteemed Mrs Koivisto, on my own behalf and on behalf of the members of the Bulgarian leadership attending this dinner, I would like to again express my profound satisfaction that we can greet you, the representatives of friendly Finland, as dear and welcomed guests of the People's Republic of Bulgaria.

Despite the fact that you have had the opportunity to feel this yourself, I would like to stress again and explicitly that we, Bulgarians, not only respect the talented and industrious Finnish people, but that we also shall always cherish the memory of the Finnish guards, who at the end of the 19th Century shed their blood and left their bones on Bulgarian soil for the freedom of Bulgaria.

Therefore, I am especially pleased that I have the honor of greeting the first president of the Republic of Finland to make an official visit to Bulgaria. Several years ago I had another similar privilege--to greet you again, Mr Koivisto, as the first Finnish premier to visit Bulgaria. Therefore, I think that I am not in error if I say that you are one of the pioneers of our friendly countries' cooperation.

Mr President, Ladies and Gentlemen, Comrades, Bulgarian-Finnish relations are based on a solid and principled foundation. They are developing steadily along an ascending line. Their political infrastructure is good: There are frequent meetings between members of the two governments, and relations between Bulgarian and Finnish political parties and public and mass organizations are fruitful. Taking into consideration the results of our talks in October 1969, I am deeply convinced of the great benefit of political dialogue at the highest level and of the necessity to continue this dialogue. I sincerely believe that your present visit will also give a great impetus to the future active relations of the two countries in the political area, and in other areas as well.

We obviously have grounds to conclude that the People's Republic of Bulgaria and the Republic of Finland are interested in further developing mutually beneficial cooperation, including economic cooperation. Our relations in this area are developing dynamically on a broad base and are grounded on legal contracts. Despite all this, untapped possibilities still exist. We think that the pace of our growth and the results achieved in our country's economic development, as well as the modern forms of trade and industrial production sharing applied by us could interest many Finnish companies. At the same time, the great achievements of many branches of Finland's economy attract our attention. Let us hope that the treaty on mutual defense and encouragement of investments, and the agreement on avoiding double taxation, which are to be signed during your visit, will facilitate the utilization of these possibilities and the expansion of economic cooperation in the interest of the two countries.

The cultural exchange between Bulgaria and Finland is very rich and versatile. It contributes to the fuller and better acquaintance of the two friendly peoples. However, in this area too there is more to accomplish.

Mr President, we can justifiably declare that many things are linking Bulgaria and Finland: The favorable development of their bilateral relations, which can serve as an example of relations between states with different social systems; our common striving to live in peace and security; and our willingness to contribute to constructing a peaceful and just world.

I must point out that the name of your hospitable capital and Finland's contribution are justly connected with a concept that focuses the longings of all peaceloving people. "The Spirit of Helsinki"--this is how the world termed the favorable climate that enveloped Europe during the seventies.

However, with a sense of concern we must note that the international situation has sharply deteriorated in recent years. The arms race imposed by the United States and NATO and the plans of militarizing space under the ostensible purpose of "defensive initiatives" increase the risks of a fatal nuclear war. There is no doubt that today, more than ever, we need political responsibility, wisdom, farsightedness and good will, and a sincere willingness if the dangerous sliding toward this danger is to be stopped. Now more than ever we need a political dialogue between friendly states and between states whose political philosophies and activities are very different, and between big and small states. Today, if we are to stop before it is too late, we must contribute to preventing the war and returning on earth to the spirit of Helsinki.

Naturally, the responsibility of the nuclear states, and first of all the USSR and the United States, is especially great. At the beginning of the year we greeted with a hope the news of the forthcoming negotiations in Geneva at the USSR's initiative, on space and nuclear arms disarmament in their mutual relation. Unfortunately, the U.S. intention to continue the plans for "Star Wars" hardly contributes to the success of the negotiations. We are witnessing an indecorous pressure on the part of the United States on many other countries to take part in the militarization of space.

Despite all this, we believe that in Geneva positive results can be achieved in the entire complex of problems, if the United States really strives toward this goal. A proof of goodwill by the United States could be, for instance, the acceptance of the USSR proposal on a moratorium during the time of the negotiations on the creation of offensive space weapons, including their research, experiments, and deployment; and a freeze of the strategic offensive weapons of the two countries. We highly value and decisively support the moratorium on the deployment of Soviet medium-range missiles in Europe, and the stopping of other responsive measures, announced by Comrade Mikhail Gorbachev.

When we speak about negotiations in the disarmament area it is necessary to clearly stress that their basic principle, regardless whether we speak about the negotiations in Geneva, Vienna, or at the Stockholm Conference, or anywhere else, must be equality and equal security for the participants and the relinquishing of the striving to achieve military superiority.

Creating and strengthening mutual confidence between states with different social systems has a great importance in international relations. The proposals of the socialist countries at the Stockholm Conference are a manifestation of willingness for joint work, and according to our deep conviction, are also realistic ideas for finding mutually acceptable solutions.

For example, the creation of nuclear-free zones in various regions of Europe can be one of the measures on strengthening confidence among states. Our two states, Mr President, are among the most active adherents of this idea, and this pleases us. The names of Bulgaria and Finland are constantly among those who propose the creation of such zones. You are purposefully working to turn Northern Europe into a nuclear-free zone, and we are working to turn the Balkans into a nuclear-free zone. The idea is a noble one, and its implementation--possible, despite the many difficulties.

In August your peaceloving capital will mark the 10th anniversary of the Final Act of the CSCE Conference. The People's Republic of Bulgaria is for the worthy commemoration of the anniversary of the "Triumph of Wisdom" and will strive toward creating a favorable international climate during the celebration. In this context I would like to point out your energetic activity in the interest of peace, Mr Koivisto, and the role your country has in the contemporary world.

The current years is especially rich in anniversaries. We hallmark the 40th anniversary of the victory over Hitlerite fascism and Japanese militarism, and the 40th anniversary of the United Nations. We shall mark these anniversaries in a manner that corresponds with their importance. We want these anniversaries to make all of us--the politicians who have the heavy responsibility of leading their people, and the millions of simple people throughout the world--think about the past tragedies and their causes, and do everything to prevent the nuclear catastrophe which jeopardizes mankind.

Esteemed Mr President, expressing my deep conviction that our talks will make a substantial contribution to further strengthening cooperation between Bulgaria and Finland in the interest and benefit of the Bulgarian and Finnish peoples, and of peace and security in Europe and the world, I propose a toast:

--To you, esteemed Mr President;

--To you, esteemed Mrs Koivisto;

--The the happiness of those accompanying you;

--To the prosperity of the friendly Finnish people;

--To the prosperity of peace in Europe and the world;

--To all those attending this dinner!

--Cheers!

CSO: 2200/140

BULGARIA

SANA REPORTS INTERVIEW WITH BULGARIA'S ZHIVKOV

JN271550 Damascus SANA in Arabic 1348 GMT 27 Apr 85

[Text] Sofia, 27 Apr (CANA)--Todor Zhivkov, chairman of the State Council of the People's Republic of Bulgaria, has expressed his high appreciation of Syria's policy under the leadership of President Hafiz al-Asad--a policy that is hostile to imperialism and Zionism and that effectively supports the national liberation movements and progressive forces in their struggle against imperialism and its followers.

In a press interview with the SANA correspondent in Sofia, Chairman Zhivkov said: We know Comrade Hafiz al-Asad as a prominent politician and a distinguished struggler for the sake of a lasting and just peace in the Middle East. We also know him as one of the great leaders of the Arab national liberation movement [word indistinct], and a principled supporter of the Arab countries' development on the road to independence and social progress. We know Al-Asad as one who sincerely encourages mutual and fruitful cooperation between Syria and the socialist countries and as a big friend of the Bulgarian people.

He affirmed that awarding the 1984 Georgi Dimitrov international prize to President Hafiz al-Asad, the secretary general of the Arab Socialist Ba'th Party, reflects the high appreciation of the Bulgarian Communist Party, the State Council, the Bulgarian Government, and all the Bulgarian people.

On his forthcoming visit to Syria, Chairman Zhivkov indicated that his meetings with the [Syrian] president have become a good and useful tradition. He said: At these meetings, we analyze relations between the two friendly countries, and take measures to expand, deepen, and enrich these relations in the interest of the Syrian and Bulgarian peoples. In addition, we discuss urgent and important international issues, foremost being the Middle East issue. Our forthcoming meeting with Comrade Hafiz al-Asad will undoubtedly be of special importance regarding areas of our cooperation.

Zhivkov said: Bulgaria is pursuing a firm policy of promoting Bulgarian-Syrian relations in all fields. We lay special emphasis on political cooperation on both the bilateral and international levels. I am particularly pleased that Syria, under the leadership of President Hafiz al-Asad, shares with us the desire to continue the promotion of our relations.

The Bulgarian leader expressed his high appreciation for Syria's role of direct confrontation with the Zionist aggression and the U.S. separate plans [mukhattatat munfaridha]. He also expressed his support for Syria's principled policy of confronting the reactionary attempts in the Middle East, praising Syria's immense support for the Lebanese people's struggle for their independence, sovereignty, and territorial integrity.

Zhivkov expressed profound concern regarding the policy of force and domination which the imperialist circles, the reactionaries, and their ally, Israel, are pursuing, pointing out that attempts to revive the Camp David plan have recently been increasing with the aim of imposing a separate peace that denies the legitimate Palestinian interests. He asserted that no just or comprehensive solution will be realized in the Middle East unless Israel completely and unconditionally withdraws from the occupied territories and the inalienable rights of the Arab people of Palestine are realized, including their right of self-determination and the establishment of their independent state on their land.

At the end of the interview, Chairman Zhivkov expressed his country's support for the new Soviet-U.S. Geneva talks on nuclear and space weapons.

CSO: 2200/140

BULGARIA

BTA COMMENTS ON ZHIVKOV VISIT TO SYRIA

AU301552 Sofia BTA in English 1410 GMT 30 Apr 85

["Fruitful and Businesslike Dialogue--BTA headline]

[Text] Damascus, 30 Apr (BTA political observer Nencho Khranov)--The visit of Mr Todor Zhivkov, secretary general of the CC of the BCP and president of the State Council, to friendly Syria was a brief one. But it will leave a deep mark in the chronicles of the bilateral relations because it set the beginning of a new and higher stage in cooperation.

All Bulgaro-Syrian summit meetings have given a strong impetus to the development of the relations between the two countries. But this fifth in succession meeting is of exceptional importance. For the first time a treaty for friendship and cooperation between the two countries was signed. This document is a solemn expression of the will of Sofia and Damascus to promote and strengthen their traditional friendship, fruitful cooperation and solidarity. New ways have been revealed and new interesting initiatives and ideas have been outlined for even more active joint work in the political, economic, techno-scientific and cultural spheres.

Bulgaro-Syrian relations have acquired a solid international law basis founded on the tried principles of equality, mutual advantage, respect for the sovereignty and national independence, territorial integrity and non-interference in internal affairs.

The two leaders signed a Programme for the Development of the Economic and Techno-Scientific Cooperation which outlines the varied possibilities for joint activities in a number of spheres--agriculture, irrigation, industry, oil-production, mining and gas production. Bilateral trade will increase, tourist relations will be promoted and the economic plans of the two countries will be more efficiently coordinated.

The results of Mr Todor Zhivkov's visit to the Syrian Arab Republic prove Bulgaria's great international prestige, the recognition which she has won with her activities and with her consistent foreign policy. Mr Hafiz al-Asad expressed sincere gratitude to Bulgaria and to her government for the active solidarity and for the support which she renders to Syria and to the other Arab peoples struggling against imperialism and Zionism.

Quite naturally one of the central topics of the talks in Damascus was the explosion-prone situation in the Middle East. It is a result of the aggressive policy of Israel and the U.S. which want to impose their imperialist and Zionist hegemony and dictate on the peoples. The Camp David Accords and all recent separatist activities and initiatives aimed at the broadening of this defeatist process, at splitting the unity of the Arab resistance movement, and at depriving the heroic people of Palestine of the right to self-determination and to founding their own state were resolutely condemned. The Bulgarian and the Syrian parties to the talks expressed their support for the resolution of the Arab conference at summit level in Fes and for the realistic and constructive plan of the Soviet Union for solving the Middle East issue by means of convening an international conference under the aegis of the UNO.

The Bulgaro-Syrian summit meeting once again confirmed the stands for consolidating peace and security in the world, for achieving international detente, for an equal right and mutually advantageous dialogue for curbing the arms race on earth and for its averting in space. Our two countries call for the unity of action of the peaceful forces and for the showing of resolute resistance to the policy pursued by the U.S. and NATO--a policy of confrontation, super armament, hegemonism and aggression.

It is with justice that speaking before Bulgarian and Syrian journalists after the signing of the treaty for friendship and cooperation Mr Todor Zhivkov pointed out that the results of the visit cannot be limited to the framework of Bulgaro-Syrian relations. They are also of significance for the region in which Syria lies, for the Balkan peninsula and for the whole world.

CSO: 2200/140

BULGARIA

STOYANOV SPEECH ON LENIN ANNIVERSARY

AU242041 Sofia RABOTNICHESKO DELO in Bulgarian 23 Apr 85 p 2

[Speech delivered by Dimitur Stoyanov, BCP Central Committee Politburo candidate member and minister of internal affairs, at a ceremony marking V.I. Lenin's 115th birth anniversary, held on 22 April at Sofia's Georgi Kirov Hall]

[Excerpts] Esteemed comrades:

Every year on 22 April the peoples of the Soviet Union and the socialist community, as well as our whole progressive mankind, celebrate with solemnity and deep emotion the birthday of Vladimir Il'ich Lenin. They are filled with admiration and are inspired by the achievements of a great personality whose revolutionary and transforming ideas involved the broad people's masses and shook the world of capitalism by opening the doors to the era of socialism.

The task of consolidating the unity and developing the comprehensive cooperation of the socialist countries, as well as of intensifying the process of their economic integration is particularly important and topical today.

However, it is no coincidence that socialism today the target of malicious attacks by all enemies of social progress. The forces of reactionary bourgeois ideology and propapanda, of anticommunism, and of anti-Sovietism are mobilizing themselves and conducting a well-coordinated "psychological war" which aims to slander socialist reality without being choosy about the means.

Imperialist reaction, by sowing confusion and hatred and by militarizing public opinion in the West, is having recourse to gross interference in the domestic affairs of sovereign countries and peoples. There is even more: Disregarding the elementary requirements of international law, imperialist reaction is conducting open diversionist actions against the world of socialism, trying to destabilize this world with the methods of slander and terror which have long ago been rejected by history. The reactionary, imperialist forces cannot resign themselves to the comprehensive upsurge of our country, which is victoriously proceeding along the path illuminated by the Leninist April plenum policy of our party. In recent years the imperialist forces have adopted special diversionary and propaganda efforts designed to undermine our party. In recent years the imperialist forces have adopted special

diversionary and propaganda efforts designed to undermine our development. The anti-Bulgarian and antisocialist campaign staged in connection with the so-called "Antonov case" is strong confirming of these intentions. This campaign is entirely based on insinuations, lies, and slanders, as well [word indistinct] in other facts and events directed toward describing Bulgaria as a country of terrorism--a campaign whose trails lead us to the class enemy. However, the enemies' perfidious efforts to disrupt our peaceful development, the calm and order existing in our country, will not succeed; they will crash against the iron-strong unity and cohesion of our people, rallied around the BCP Central Committee headed by Comrade Todor Zhivkov, general secretary of the BCP Central Committee. It is, however, necessary to remember Lenin's teaching and not to forget that a merciless class struggle is being waged on the international scene and that our country is situated at the center of the anticommunist campaign of imperialism. This is why it is necessary constantly to raise the political vigilance of the working people and to improve labor organization in all places, as well as to increase the sense of responsibility, social discipline, law and order.

Lenin's theory is of ever-lasting international significance and exerts an immeasurable impact upon the international workers, communist, national liberation, and anti-imperialist movement. Lenin's teaching does not belong to the Soviet people alone; it is an asset of the international workers' class, of all progressive mankind. Leninism is the inspiring banner and reliable ideological-theoretical basis of the struggle waged by the international communist, workers, and national liberation movement.

Lenin taught that the most reliable guarantee for the victories of the liberated proletariat and of the people's masses striving for national and social liberation is to follow a consistent internationalism. This guiding principle of the Marxist-Leninist ideology is unmistakably expressed by Vladimir Il'ich in the following statement: "Internationalism implies only one and nothing but one obligation: Infinite devotion to the use of the development of the revolutionary movement and the duty to wage a revolutionary struggle in one's own country, as well as to maintain (by means of propaganda, as well as by moral and material assistance) the same struggle, along the same, one and only line in all other countries, without exception."

Contemporary reality, with even greater emphasis, is dictating the necessity of consolidating international proletarian solidarity, the necessity of rallying the forces of real socialism, of the workers class in capitalist countries, and of the national liberation movement in the struggle against militant and reactionary imperialism, for peace, security, national and social progress.

Comrades: Thanks to the efforts of the great Soviet country, thanks to the wisdom of the Communist Party created by Lenin, thanks to the efforts of the other peace-loving forces in the world, there exists on our planet today opportunities likely to retrain the force of aggression and war.

The nature of imperialism, as is known, has not changed. The most reactionary forces in the imperialist camp are creating new hotbeds of aggression.

Intoxicated by their class hatred, the imperialists are threatening the world with a devastating, nuclear war. The new crusaders of war and militarism are trying, by increasing tension and military danger in the world, to avenge themselves for all historical defeats suffered by imperialism.

Throughout many years the United States and its allies have drastically increased the scope and rates of speed of rearmament, which actually represents a preparation for a new war. The militarization of outer space is now on the agenda of the American plans, which implies a preparation for "Star Wars." This would actually signify the beginning of a new escalation of an uncontrolled arms race along all lines.

This whole policy is pushing mankind toward the danger of nuclear disaster. Comrade Mikhail Sergeyevich Gorbachev declared in this connection: "The only sensible outcome from the existing situation is to achieve an agreement between the two opposed forces for immediately stopping the arms race--the nuclear arms race in particular--on earth and for not permitting such a race in outer space. This agreement should be based on honesty and equal rights, without any attempts to 'deceive' the other side and dictate one's own conditions. The agreement must help us all to achieve progress toward the desired goal--namely fully to destroy and to ban for ever nuclear weapons, as well as to eliminate the danger of nuclear war."

This statement made by the CPSU Central Committee general secretary and the consistent, peace-loving policy conducted by the socialist countries at all forums in Stockholm, Vienna, and Geneva, are marked by the Leninist style in international politics. They once more confirm the ever-lasting concern of worldwide socialism for peace and for guaranteeing the bright future of mankind.

The Soviet-American negotiations which are presently conducted in Geneva are of particular importance for peace on earth. These negotiations pertain to nuclear and space weapons. At these negotiations the Soviet Union manifested a constructive stand, striving to stop the arms race, to freeze the nuclear arsenals, and to achieve a genuine and drastic limitation of nuclear armaments.

The new proposal submitted by the Soviet Union to introduce a moratorium until November 1985 on the deployment of its medium-range missiles evoked a tremendous international response.

Now that we are on the eve of the 40th anniversary of the Soviet people's victory, of the victory achieved by the democratic forces of mankind over fascism, we are once more facing the lessons of history. The most important of these lessons is that we must struggle against war before it has been unleashed, that only the joint efforts of all sober-minded people are capable of rescuing mankind from a third conflagration which this time would be disastrous. At the same time the lessons of 40 years ago point out that, as it was possible at that time to achieve cooperation of states with different social systems in the struggle against Hitlerism, so it is possible and necessary today, when eliminating the danger of thermonuclear conflicts is

at stake, when it is necessary to stop the insane arms race, and the memories of Tehran, Yalta, and Potsdam have become a symbol of successful political unity of action for the sake of lasting peace.

Comrades: The principles of socialist foreign policy worked out by Vladimir Il'ich Lenin are the basis of the international policy conducted by the People's Republic of Bulgaria. Infinitely loyal to its communist ideals and internationalist traditions, to its constructive and peace-loving Leninist foreign policy, reliably protecting our socialist achievements as well as our own motherland, together with all fraternal countries, Bulgaria is in the vanguard of the struggle for peace and cooperation.

The immaculately pure and ever-lasting fraternal friendship with the great country of Lenin and the comprehensive cooperation with the great country of Lenin and the comprehensive cooperation with the USSR, which is unaffected by time, are and always will be the cornerstone of our foreign policy. The friendship with the USSR, with the great party of Lenin, has been and always will be the great constructive force of our development, for us, the Bulgarian communists, as well as for our country and people. This friendship will be the source of all our successes and of our national self-confidence; it is the guarantee of our independence.

Our party and state consider it their basic duty to develop and further expand our cooperation and cohesion with the parties and countries of the socialist community member-states. Together with the other Warsaw Pact member-countries, we are actively contributing to the implementation of a coordinated foreign policy. The proposals and initiatives of our fraternal countries are aimed at the comprehensive and lasting solution of the important international problems of our time. These proposals reflect the readiness of the People's Republic of Bulgaria, together with the other socialist countries, to conduct a constructive foreign policy, based on the principles of equality and equal security.

The People's Republic of Bulgarian and the BCP welcome the Geneva negotiations and expect successful results from them. At the same time our country is contributing to the achievement of progress at other forums which are discussing the questions of security and disarmament, such as the Vienna negotiations and the Stockholm conference on confidence-building measures.

The People's Republic of Bulgaria devotes great attention to understanding and cooperation with its neighbors on the Balkan Peninsula. This cooperation has become a strong factor of peace, security, and good-neighborly relations in this area, which used to be called a "powder keg". The friendly relations which our country maintains with its neighboring Balkan states give evidence of this fact. The BCP and the People's Republic of Bulgaria consider that much more could be done in this respect. It is of great importance to implement the idea of transforming the Balkans into a zone free of nuclear weapons. This would represent an important contribution to the comprehensive process of improving the international atmosphere of detente, mutual confidence, and security in Europe and the world.

CSO: 2200/140

BULGARIA

GANEV TALKS TO JORDAN TIMES, DEPARTS

JN300630 Amman JORDAN TIMES in English 30 Apr 85 p 3

[Article by Olga Mikha'il]

[Text] Amman--Bulgarian Deputy Foreign Minister Ivan Ganev announced here Monday that Bulgaria has a very clear stand towards the Middle East problem. Bulgaria calls for the complete liberation of all Arab lands occupied by Israel during and after 1967, including East Jerusalem, he said.

In an interview with the JORDAN TIMES, Mr Ganev said that Bulgaria supports the rights of the Palestinian people to self-determination and to establish their independent state on their own land in order to ensure peace in the area.

"Holding an international conference under the auspices of the United Nations with the participation of all concerned parties, including the Palestine Liberation Organization (PLO) as the sole legitimate representative of the Palestinian people, is an essential step to achieve peace in the Middle East," Mr Ganev added.

The Bulgarian deputy foreign minister left Amman Monday afternoon after a three-day visit to Jordan during which he held talks with several Jordanian officials. Mr Ganev met with Jordanian Foreign Minister Tahir al-Masri and Foreign Ministry Secretary Salih al-Zu'bi for discussion on bilateral relations between Bulgaria and Jordan and means to strengthen and develop these relations.

Mr Ganev explained that several regional and international issues such as, world peace, disarmament and the danger of a nuclear holocaust were among the various issues discussed with Jordanian officials.

"In order to further develop economic cooperation between the two countries, I discussed with the Jordanian Government the possibility of conducting long-term studies for technical and economic projects to be implemented in Jordan," he said.

Mr Ganev added that the volume of trade exchange between the two countries is around \$30 million a year. Moreover, he continued, Bulgaria is implementing many engineering and electrical projects and is conducting several geological researches looking for gound water in Jordan.

Jordan imports fresh lamb, porcelain, machinery, electrical equipment and other products from Bulgaria while Bulgaria imports large quantities of phosphates, fertilizers, nitrogen and other goods from Jordan.

As for cultural cooperation, Mr Ganev explained that at present there are found 400 Jordanian students studying in different Bulgarian universities and colleges. "We hope," he added, "to increase our cultural cooperation with Jordan, which consequently would increase the number of Jordanian students studying in Bulgaria."

Answering a question about the problems facing the Muslim community in Bulgaria, Mr Ganev explained that the Bulgarian constitution and all the rules and regulations in the country ensure the right of all people, including Muslims, to a respectful life. "The anti-Bulgarian campaign carried out by Turkey is but a justification for Turkey to interfere in the internal affairs of the sovereign Bulgarian state and its citizens", he added. Mr Ganev went on to say that Bulgaria is an open country and more than seven million foreigners pass through Bulgarian territories every year.

"All Muslims can profess Islam and perform their rites with the same freedom enjoyed by all religions in the country," he said. "All mosques in the country are open and the clergy regularly perform their religious rites and services," he concluded.

CSO: 2200/140

BULGARIA

LEADERS CONGRATULATE AFGHAN COUNTERPARTS

AU301301 Sofia RABOTNICHESKO DELO in Bulgarian 27 Apr 85 p 6

[Text] Todor Zhivkov, general secretary of the BCP Central Committee and chairman of the State Council, and Grisha Filipov, chairman of the Council of Ministers, have sent the following telegram to Babrak Karmal, general secretary of the Central Committee of the People's Democratic Party of Afghanistan [PDPA] and chairman of the Revolutionary Council of the Democratic Republic of Afghanistan [DRA], and to Soltan Ali Keshtmand, chairman of the Council of Ministers of Afghanistan, expressing most cordial congratulations on the seventh anniversary of the victory of the anti-feudal, anti-imperialist, and national-democratic revolution in Afghanistan.

The April revolution, which was victorious under the leadership of the PDPA, opened the path toward deep revolutionary changes--for the sake of democracy and social progress--to the freedom-loving Afghan people. Despite the persistent undeclared war, which the imperialist states and international reaction are waging against the DRA, the Afghan people are successfully overcoming the difficulties and are confidently building up an independent and prospering Afghanistan, the telegram states.

The telegram points out that the People's Republic of Bulgaria highly appreciates the peaceloving foreign policy of Afghanistan, aimed at further consolidating the friendship and comprehensive cooperation with the USSR and other countries of the socialist community. The telegram also expressed confidence that the constructive efforts of the DRA Government to establish normal relations with its neighbors and other countries, on the basis of the principles of peaceful coexistence, and the efforts devoted to the consolidation of the role played by the Nonaligned Movement in international life, represent a valuable contribution to the peoples' struggle for peace, security, and cooperation in Asia and throughout the world.

We note with deep satisfaction that the relations of friendship and solidarity between our two parties and peoples are developing along ascending lines on the basis of the Friendship and Cooperation Treaty signed between the People's Republic of Bulgaria and Afghanistan, the telegram states. We are convinced that the further expansion and intensification of these relations is in conformity with the interests of both the Bulgarian and Afghan peoples, in the interest of the cause of peace, security, and progress in the world.

CSO: 2200/140

BULGARIA

BULGARIAN-CONGOLESE COOPERATION PROTOCOL SIGNED

AU271930 Sofia BTA in English 1733 GMT 27 Apr 85

[Text] Sofia, 27 Apr (OTA)--The Seventh Session of the Bulgaro-Congolese Commission for Economic and Techno-Scientific Cooperation ended here today with the signing of a protocol. The delegation of the two countries led by Mr Aleksandur Petkov, chairman of the National Agro-Industrial Union, and Mr Francois Xavier Kitali, member of the Politburo of the Parti Congolais du Travail and minister of the rural economy, gave a positive assessment of the bilateral cooperation. Special attention was paid to the construction with Bulgarian technical assistance of a mixed farm in Oandi and of a pig-breeding farm in Lubomo.

Working commissions which mapped out the further development of cooperation were founded. This cooperation will be based on Bulgarian technical aid to the development of agriculture and livestock breeding in the Congo. The construction of workshops for sausages in Oandi and Lubomo, of a workshop for tomato paste in Bamboma as well as of five livestock-breeding farms and of maize, rice and tomato fields has been provided for. A centre for spreading agricultural technologies will be founded in Imfondo and agricultural training centres will be opened in the same town and in Djambala. The possibilities for the joint growing of tobacco in the Congo will be studied. A joint society called "Mimbeli" will be set up in the timber industry and it will cover lumbering, processing and trade with timber materials.

Bulgaria will render the Congo assistance in the development of fresh water fish farming and ocean fishing, including by means of delivering Bulgarian fishing ships. A number of energy and industrial projects will be constructed with Bulgarian aid among which are the plant for bricks and roof-tiles, the cermaics plants, and the mechanical workshops. The trade between the two countries will grow.

The protocol also provides for cooperation in geological prospecting and mining, in building and urbanization, in planning and in tourism. It also touches on juridical, socio-cultural and scientific issues.

During his visit to Bulgaria Mr Francois Xavier Katali met Mr Stanish Bonev, chairman of the State Planning Committee and candidate member of the Politburo of the CC of the BCP, and Mr Vasil Tsanov, chairman of the party and Government Council on Agriculture and the Forests and secretary of the CC of the BCP.

CSO: 2200/140

BULGARIA

DEFENSE MINISTRY ACCEPTS APPLICATIONS FOR NCO SCHOOLS

Sofia NARODNA ARMIYA in Bulgarian 7 Mar 85 p 2

[Announcement of the Ministry of National Defense Concerning the Admission of Students to NCO Secondary Military Schools for the 1985-1986 Academic Year]

[Text] The NCO secondary military schools admit students by specialty and periods of instruction as follows:

- A. The Georgi Izmirliiev NCO Secondary Military School [SSVU] in Gorna Oryakhovitsa

The school has the following specialties:

1. "Motorized Rifle Troops."
2. "Signal Troops."

The period of instruction for the specialties designated in Points 1 and 2 is 2 years for youths who have completed the first stage of instruction at the ESPU [unified secondary school] and youths who have completed their secondary education and 3 years for youths who have completed 8th grade.

3. "Tank Troops."
4. "Engineer Troops."
5. "Chemical Warfare Troops."

The period of instruction for the specialties designated in Points 3, 4 and 5 is 3 years. Youths who have completed 8th grade are also admitted.

6. "Maintenance and Repair of Motor-Tractor and Armored Equipment."
7. "Maintenance and Repair of Communications Equipment."

The period of instruction for the specialties designated in Points 6 and 7 is 4 years. Youths from 8th grade are also admitted.

B. The NCO Secondary Military Artillery School [SSVAU]

The school is under the G. Dimitrov VNVAU [Higher People's Military Artillery School] in Shumen and has the following specialties:

1. "Ground Artillery--Line."
2. "Antiaircraft Artillery--Line."

The period of instruction for the specialties designated in Points 1 and 2 is 2 years. Admission is for youths who have completed the first level of instruction in the ESPU and youths who have completed their secondary education and are draftable as well as servicemen in the first term of service in the Bulgarian People's Army [BNA].

3. "Ground Artillery--Technical."
4. "Antiaircraft Artillery--Technical."
5. "Maintenance and Repair of Artillery Weapons."
6. "Maintenance and Repair of Tank Weapons."
7. "Radio Technical [Radar] Troops."

The period of instruction for the specialties designated in Points 3-7 is 4 years. Youths who have completed 8th grade are also admitted.

C. The NCO Secondary Air Force School [SSVVU] in Dolna Mitropoliya

The NCO secondary air force school is under the G. Benkovski VNVVU [Higher People's Air Force School] in Dolna Mitropoliya. The school has the following specialties:

1. "Operation and Repair of the Aircraft and Engine."
2. "Operation and Repair of Aviation Equipment."
3. "Operation and Repair of Electronic Equipment."
4. "Operation and Repair of Communications Equipment."

The period of instruction for all specialties is 4 years. Youths who have completed 8th grade are admitted.

For the specialty "Operation and Repair of the Aircraft and Engine" students are also admitted for the requirements of the BGA [Bulgarian Civil Aviation].

D. The Anton Ivanov Warrant Officer [Michman] Secondary Naval School [MSVMU] in Varna

The specialties in the school are:

1. "Navigation."
2. "Signalmen."
3. "Mechanics."

The period of instruction for all specialties is 2 years.

Youths are admitted with a complete secondary education, draftees and servicemen in the first term of service from the ships of the Navy.

Those completing the full course of the SSVU are considered to have:

For those admitted from the 8th grade with a 3-year period of instruction, a secondary education, a served regular military service and a military qualification depending upon specialty;

For those admitted from the 8th grade with a period of instruction of 4 years, those admitted from the 11th grade and those who completed the first stage of the ESPU--a secondary specialized education, a served regular military service and a military qualification depending upon the specialty.

E. The Maestro Georgi Atanasov NCO Secondary Military Music School [SSVMU] in Sofia

The school admits youths for the specialty of the military band.

The period of instruction is 4 years. Youths are admitted from the 8th grade.

Those completing the school are considered to have a civilian secondary specialized education, completed regular military service and a military qualification of military bandman.

Permitted to apply to the SSVU are youths who meet the following conditions: are of Bulgarian citizenship; are members of the Komsomol; are physically healthy; are unmarried; have been recommended by the commander of the unit (for servicemen in first-term service); do not have a criminal record and are not under indictment and investigation; have completed the 8th grade, the first level of the ESPU or the 11th grade; applicants with a complete 8th-grade education should not be older than 17 while those who have completed the first level of the ESPU or secondary education should not be older than 21, as figured by 15 September; they must have exemplary conduct.

All the applicant students are to submit through the people's councils or military administrations to the appropriate chief of the SSVU to which they are applying (or to the chief of the higher military school to which the NCO school is subordinate) the following documents: an application in which the applicant student without fail ranks the desired specialties for which he wishes to apply; an autobiography; a diploma for a complete secondary education; a certificate for a completed first stage of the ESPU (10th grade) or 8th grade (can be a

notarized copy); a birth certificate; a recommendation from the people's council; a statement showing no criminal record; a pedagogical recommendation from the school; a declaration from the candidate student that he will serve after completing the school at least 10 years in the BNA (BGA). For applicants with a basic education (8th grade) the declaration is to be signed by the parents or, if there are no parents, by guardians; a document showing the right to preference (if there is such).

The documents of the servicemen in first-term service who have been submitted as applicants to the SSVU, along with the health booklet, a copy of the military service card showing imposed punishments and commendations and a service recommendation, are forwarded by the commanders to the military administrations from which the youths have been sent into service.

The dates for submitting the documents to the military administrations are as follows: prior to 4 June for those who have completed their secondary education prior to 1985 and for servicemen in first-term service and before 16 July for all those completing their education in 1985.

The applicants for the G. Izmirliiev SSVU, the Shumen SSVU and the Dolna Mitropoliya SSVU, all with a period of instruction of 4 years, are to take a written competitive exam on mathematics covering the material studied up to the 8th grade, inclusively.

The applicants for the SSVU are to take a competitive exam in solfege and a special subject (wind or percussion instrument) according to the programs for admission to the secondary music schools.

The candidate students are to take a careful medical examination and a testing of psychophysiological qualities.

Each applicant has the right to apply to all specialties and to two NCO military schools with one from the first group and one from the second. In the first group are: the Dolna Mitropoliya SSVU, the Shumen SSVU and the Anton Ivanov SSVU in Varna; in the second are the G. Izmirliiev SSVU in Gorna Oryakhovitsa and the Maestro G. Atanasov SSVU in Sofia.

The youths who apply to two NCO schools forward their documents to the first, in indicating in them also the second school to which they are applying, and an application to the second in which they indicate to which SSVU they have submitted the remaining documents.

The time for the reporting of the applicants and the holding of the exams in the schools of the first group is as follows: reporting of the applicants prior to 1400 hours on 18 August; testing of psychophysiological qualities of the applicants and medical examination of 19 August; written exam from 0800 hours to 1200 hours on 22 August; the admission commissions will complete their work no later than 24 August.

For the second group of SSVU the time is as follows: reporting of the applicants prior to 0800 hours on 2 September; testing of psychophysiological qualities of the applicants and medical examination from 1000 hours on 2 September;

written mathematics exam for the G. Izmirliiev SSVU from 0800 hours to 1200 hours on 4 September and the competitive solfege exam and special subject at the Maestro G. Atanasov SSVMU on 4 and 5 September. The admission commissions will complete their work no later than 7 September.

Candidate students in a specialty with a 2- and 3-year period of instruction do not take a competitive exam but are ranked by the number of points which is formed from the totaling of the following grades.

For those who completed 11th and 8th grades: the overall grade on the diploma (certificate) for the completed education; the grade from the diploma (certificate) for Bulgarian language and mathematics.

For those who completed the first level of the ESPU: the average arithmetic grade of the 9th and 10th grades for Bulgarian language, mathematics and physics.

For a 4-year course of instruction, the number of points is formed as for those who completed 8th grade, in adding a doubled grade from the competitive exam in mathematics.

The applicants for the Maestro G. Atanasov SSVMU are ranked by the number of points formed from the overall grade on the certificate for a complete 8th grade, a doubled grade on the competitive exam in solfege and a tripled grade in the special instrument.

The problems on the competitive exam in mathematics cover the material studied up to the 8th grade, inclusively.

The admission commissions rank the applicant students on the basis of the obtained number of points and preferential ranking which they have according to the specialties indicated by the applicant students.

Admitted students are informed in writing by the corresponding SSVU. They are obliged to report to the school prior to 1400 hours on 14 September and those admitted to the Anton Ivanov MSVMU (not including servicemen in first-term service) prior to 1400 hours on 27 August.

If the admitted students do not report on the determined date to the appropriate SSVU, their places are filled by applicants from the reserves according to their ranking.

Travel and meals are at the expense of the applicants while their lodging is organized by the SSVU. Servicemen applicants can travel under military transport papers and may register for meals by showing a meal statement.

For the applicants to the Maestro G. Atanasov SSVMU a preparatory course following the program compiled by the school is organized from 25 August until 1 September 1985.

10272
CSO: 2200/133

BULGARIA

COMPUTER TRAINING IN ARTILLERY, NAVAL ACADEMIES INTRODUCED

Computer Uses at Artillery School

Sofia POGLED in Bulgarian 25 Mar 85 pp 4, 5

[Article by Georgi Grozdev: "The Surprises of a Computer"]

[Text] How is it possible to get a "fix" on man during rapid changes? Do innovations in military education alter the concepts of war? Does multivariant thinking protect the strategy of minimum-loss victory against chance? These are the questions which the POGLED reporter discussed with instructors and students from the Higher Artillery School in Shumen.

Socialism is not insured against external aggression. The socialist army has an around-the-clock responsibility for a rapid and precise response. We are accustomed to this notion but at times do we not imagine everything simpler than it is.

Under the conditions of the computer revolution, any error can be the last. What the probable enemy does not know about us is becoming evermore crucial. As then its optimum strategy of winning with minimum losses is invalid. The number of unforeseen chances is high as is the number of losses. Briefly, the response time depends upon the time of recognizing the "image" and identifying the target. And after this upon the capabilities of the so-called adaptive self-instructing systems to change their operating mode if the losses surpass the tolerable. They are programmed to change their structure as well as the other parameters in a moment of battle.

Without going into more detail, let us agree with the persons we spoke with at the Higher Artillery School that man still is the "system" with the most unknowns. How is it possible to get a "fix" on him and how can he be indoctrinated in a time of rapid changes? Where is his place?...

A mock-up of the training range helped us get our bearings. Capt Milko Dimitrov explained to us that scores of camouflaged targets had been incorporated in the mock-up. The desks with a computer for each student are behind us. Sr Sgts Todor Penchev and Van'o Penchev already know how an accurate round is figured.

By the Pravets-82 scores of variations have been solved for just one problem alone. Without any helping. It is difficult to do this, even if you would like. If you are late with your own right answer, it also is late and will not perform the job. The simulating of a true combat situation also includes such details as the point of impact goes white with a light beam and the round is almost real as one hears the roar.

The captain has been training artillery commanders for a long time. He does not say much about what has been done but it is quite apparent. Each firing of the student is more than a lesson, as the instructor has incorporated norms and data close to the actual in the computer. But a talk in front of the black-board is not such an obsolete pedagogical device as it might seem to some. In the dialogue there is a method of thinking while the electronic screen is still "not interested" in this.

Years ago the first steps were taken with great tenacity for us to now be in this computer classroom of the artillery firing training complex. What is the most essential thing that has changed here?

Maj Gen Nayden Borimechkov, chief of the Higher Artillery School:

"The electronic computer equipment make the training process more effective. By computers the process moves to a new, more advanced teaching technique. It develops the abilities and skills in the students which help them to then more rapidly adapt to the situation in the units. The computers by themselves do not solve the complex problems of the indoctrinational process but as a means of instruction they help to do the impossible. For example, to reduce the time required to calculate the firing data to 5-6 seconds."

Officer, Docent, Engr Kol'o Kolev, candidate of technical sciences:

"What is achieved at the greatest price in the army, that is, practical experience, through the screen reaches the awareness of the student, in making his thinking quick and agile. The decisions are not routine ones. It disciplines his thinking as he 'falls' into problem situations which are very close to the real."

Officer, Engr Dzhordzh Savov, candidate of technical sciences:

"It must be emphasized that all of this leads to the establishing of a new type of thought. It is in contrast to the traditional and conservative. Self-criticalness is increased and any new problem becomes more complex. A computer collects not only an enormous amount of information but also offers different variations for solution. The student learns to choose the correct one. Ultimately this increases professionalism."

After this brief questioning, we were not surprised by the enthusiasm of the students. The men were involved to such a degree that some of them had given up their leaves in order to have more time to "talk" with the computer. Sr Sgt Khristo Masnev, his colleagues Stefan Manov, Valentin Vulkov, Sasho Savov, Volodya Tsakov and MSgt Ivan Mikhaylov believe that precisely electronics and not nuclear power, for example, will transform the world in coming years.

At present, throughout the world around 500,000 persons are involved in scientific research and development in the military area and this is almost 20 percent of all the scientific workers and engineers. Some of our new experts in some time may join their ranks. We, the non-specialists, cannot realize how fatal and dangerous are sluggishness and stagnation.

A military scientist or military engineer does not advertise this responsibility but in our talks with others one can feel how it obliges them to be not only totally dedicated but also talented.

With the aid of publications available to a journalist, we made an investigation. In their military doctrines the NATO countries rely upon super-accurate weapons. This is according to the theory that the first shot must hit the target because there will be no time for a second one. A Pershing-2 has a deviation of only several meters, and the bombs with a television homing head are very accurate. In the imperialist arsenals are weapons aimed by laser at the target. If each shell is armed with a microelectronic device, this increases the accuracy and hence the destructive force. Identification-attack installations are being built in which the basic role is carried out by unmanned aircraft.

For years the influx of student applicants to the Higher Artillery School has not abated. Possibly the explanation lies precisely in the conditions which are established here for all-round personal development. In the office of the chief of the school there is a computer but this is not for the sake of visitors. Incidentally, visitors come frequently. Recently the chiefs of the military schools in the nation were here. There were also the military attaches who are accredited to Bulgaria. Not because there are no military secrets but because along with them there are also obvious things which are instructive for some and cautioning for others.

I looked again at the wooden model of the cherry-tree cannon in front of the entrance of the training range. The family roots of Maj Gen Nayden Borimechkov go back to Klisura. Surely such a coincidence does not happen often.

Navy School Introduces Computers

Sofia NARODNA ARMIYA in Bulgarian 19 Mar 85 pp 1, 2

[Materials prepared by Engr-Capt 1st Rank Yani Poptomov: "Through the Channel of Second Literacy"]

[Text] [Introductory Statement] The forge of personnel for the Navy and civilian fleet and the crucible of naval education and skills, the N. Y. Vaptsarov VNVMU [Higher People's Naval School] for more than a century has been in the front ranks of technical progress. But today is not like yesterday. New, much broader scale, complex and difficult tasks demand a new approach, a new attitude and actual deeds from the command, the faculty and the student body.

The activities involved in the employment of computers in the training process did not commence in a vacuum. For several years now the foresighted instructors and students with the enthusiasm of pioneers have been mastering this new area of the scientific front. And at present a new incentive has been received, inspired by the decisions of the February Plenum of the BCP Central Committee (1985).

The command of the school, the instructors and all the Vaptsarov students have accepted the party demand as their immediate task, they are bringing their activities into conformity with the new demands, they are focusing their efforts to break through on a broad front, and are "plugging the holes" of inertia and underestimation.

The Vaptsarov faculty and students must ply uncharted channels in order to come out into the open waters of scientific and technical progress.

Our Interview: Common Efforts Are Necessary

Engr-Rear Adm Rumen Popov, chief of the N. Y. Vaptsarov VNVMU

[Question] In what areas do you see the future work of the school in carrying out the decisions of the Plenum of the BCP Central Committee of 12 and 13 February 1985?

[Answer] The February Plenum of the BCP Central Committee has examined and posed for us truly great and infinitely interesting tasks. All that Comrade Todor Zhivkov analyzed in his introductory speech, in his report and his concluding speech as well as the debate and the decision apply to the N. Y. Vaptsarov VNVMU. If I had to state some of the most immediate areas in our future work, I would point to the following:

To decisively increase the level of the fundamental and professional training of our students through the qualitatively new level of the training facilities and particularly the electronization of instruction.

I would like to emphasize that the new training facilities and the computerization of instruction in and of themselves will not solve the problem of improving the training of our graduates. Computerization requires major methodological changes in the carrying out of the training process and this means in the training of the instructors themselves. But this, as is known, is a very difficult task. We have taken this up and believe that we will solve it successfully.

One other area. The use of the scientific potential of the N. Y. Vaptsarov VNVMU for the development of scientific-technical progress for the needs of the Navy and civilian navigation. I feel that our school has the forces and capabilities "not only to utilize the achievements of the scientific and technical revolution but also participate ourselves in carrying it out." The most dependable and shortest route in this area is to create special problem laboratories and program collectives which are capable of solving the important problems which involve the combat readiness of the fleet, the theory and practice of navigation and so forth.

Their lack is a double misfortune. On the one hand, the interests of the faculty are inevitably constrained and on the other we are deprived of scientific products for which we pay dearly and constantly both to similar institutes in Bulgaria as well as abroad.

Officer, Professor, Engr Trifon Penkov, Honored Technician and Doctor of Technical Sciences

[Question] What in your opinion are the tasks of scientific-technical potential at the N. Y. Vaptsarov VNVMU in light of the February Plenum of the BCP Central Committee?

[Answer] In essence the plenum's documents are a program for finding the ways and forms most suitable for the conditions of our country for a truly organic combining of the scientific-technical revolution with the advantages of socialism.

Stemming from this program are numerous tasks concerning the department collectives of our school.

In first place I would put an improvement in the organization of scientific research activities in their entirety. The directing of planning toward carrying out interdisciplinary programs on the major areas of naval and maritime science and practice. Improving the quality of the results from scientific research up to the level where they themselves "open" the gates of the consumers. Widening the activities of introducing new ideas with the wider involvement of officers from the naval units and specialists from the civilian fleet and production.

Secondly, the broader integration of efforts of the scientific research potential of the military and civilian higher institutions of learning and the establishing of joint collectives.

Thirdly, the task of creating a physical plant for research and scientific-production activities. The present plant is obsolete. This, naturally, influences the level of the end labor product as well as the feeling of the scientific-technical potential. It is particularly imperative to create a physical plant for designing equipment and the software for articles employing microprocessors.

Lastly, I would like to raise the question of the training of scientific personnel both from the faculty and from the students. There is the urgent question of their recruitment and high quality scientific leadership and of establishing the appropriate situation in the collectives where they will grow and be trained. It is essential to establish conditions where the scientific personnel will develop with a feeling and capacity for independent thinking and action in solving scientific problems.

Certainly there are many other problems which we must rethink and solve. This also is the wealth of the documents with which the February Plenum of the BCP Central Committee has armed us.

I am certain that the departments of the N. Y. Vaptsarov VNVMU possess the required vision and attitude and will responsibly carry out the complex and vast tasks which the party has posed for us.

Officer, Docent, Engr Ivan Yotov, Candidate of Technical Sciences

[Question] How should we understand the notion of the second literacy of the Navy officers?

[Answer] Some understand this merely as acquiring the ability to operate a computer and this, in essence, is extremely limited. The second literacy of a Navy officer in my opinion means the following:

1. A thorough knowledge of the capabilities of the specific computer and microprocessor equipment which will be operated.
2. The acquiring of firm skills and the knowledge to utilize it in one's practical activities.
3. The mastery of a certain style of thinking expressed in the ability to formulate problems clearly, precisely and tersely; to formalize the method of solving the tasks and problems, that is, to work out the algorithm of their solution. This requires the mastery of modern mathematical methods which are essential in employing electronic computers.

Advanced Experience: High Professionalism

The Radar Department is among the leading ones at the school in the use of microprocessor equipment in training and scientific research. "For us the computer was not introduced first into the training process," related Docent, Engr Khristo Dimitrov, candidate of technical sciences, "but in setting up a modern trainer base." A sonar trainer was developed by the department. It provided an opportunity to create a situation which is close to a real one and at the same time the computer analyzes the operator's work and objectively assesses how correctly the target coordinates have been determined.

They are also in the process of completing a trainer to instruct a watch officer. Microprocessor devices make it possible to solve a much broader range of questions in a situation as close as possible to a real one, to utilize various types of formations, attacks employing several types of weapons, to display the results of firing and so forth.

The department is working in several basic areas to introduce microprocessor equipment into the training process. The first of these is to provide the necessary technical base. A classroom has been equipped with microcomputers which are employed for instruction in the programming of the "assembler" language and for studying the structure of the microprocessor devices. A group of officers has taken a course for postdiploma training in the classroom and a group of students has done this on an elective basis. The results achieved have been very good.

The department has a Pravets-82 microcomputer but in the future its leadership will endeavor to equip the entire classroom and this will be an important material prerequisite for computerizing instruction in its specialties.

The collective also investigated the procedural problems concerned in utilizing microcomputers for improving the quality of instruction and the assimilation of knowledge in the types of exercises. At present the prevailing opinion here is that the computers will be employed most effectively in practical exercises, for solving certain problems, for course and diploma designing and so forth.

Another area where the efforts of the department are focused is the use of microprocessor equipment in scientific research. For this purpose an IZOT-220-M-1 microcomputer has been provided. This is an essential element in the system for the development and introduction of microprocessor equipment. The leadership of the department is endeavoring to develop this system in order to employ it in the fundamental research envisaged in its scientific research plan.

A number of instructors such as Docent, Engr, Candidate of Technical Sciences Ancho Draganov, the officer Engr, Candidate of Technical Sciences, Kosta Ivanov and Chief Assistant, Engr Angel Angelov, Engr Georgi Ivanov, Engr Ventseslav Yotov and others widely use the microcomputers in their scientific research.

The department has compiled many programs. They have been worked out for two reasons: on the one hand, they make possible the solving of predominantly practical problems and, on the other, they are a method of instruction in investigating the parameters of electronic devices. A number of concepts has been established for applying computers in all types of exercises. Certainly, many new methodological and psychological problems are arising relating to how the training material is to be presented, how the student can assimilate it most easily; how by using personal computers to monitor the level of its assimilation; finally, how the student independently can check the level of his training.

The organized educational methods assembly and the exchange of experience at the N. Y. Vaptsarov VNV MU and at the VVUZ [?Higher Military School] have contributed greatly to their elucidation. In addition to this a major effort has been made by the command of the school to acquire microcomputers, one of the most important prerequisites for the computerizing of instruction for future naval commanders and specialists.

A "Engineer Officer of the Watch" Trainer

The N. Y. Vaptsarov VNV MU has many trainers by which future naval commanders and specialists acquire the knowledge and skills in handling complex ship equipment. A portion of these has been designed in widely utilizing microprocessors and are connected to electronic computers which provide great opportunities for the intensifying and individualizing of the training process.

In the following lines we will acquaint you with one of these called the "Engineer Officer of the Watch" Trainer.

This is a simulator which is a model of an automated ship propulsion unit and is organically linked with a ship with a displacement tonnage of 160,000 tons. The trainer is located in three work areas: the central control room, the engine room and the command bridge (the leader's panel). These are interconnected by various means of communications: telephone, visual and so forth. The trainer is based on a universal digital computer and the working processes of all the basic components of the unit have been modeled. The models have a high degree of accuracy and make it possible to carry out research on phenomena and the interrelationship both between the various components as well as their readings.

The trainer possesses equipment for obtaining information from the objects: two displays, two printers, a six-track recorder and multiple analog devices. It is possible to have a dialogue between the operator and trainees with the computer. The noise in the operation of the equipment is simulated as well. The trainer includes actual elements from a modern automated ship propulsion unit, an automatic control and safety system for the main engine, an automated system of diagnostic monitoring, as well as an automated system for controlling and distributing electric sources and users.

In the "instruction" mode, the trainer can be used for mastering a similar type of propulsion unit and the complex interaction between its numerous component parts. But its chief merit is the possibility of simulating over 400 failures both regularly and by a random law. This mode is applied for specialists with a higher level of training, both theoretical and practical. Exercises on it are conducted predominantly for engineer officers from courses for post-diploma training. The training drills help to develop in the trainees the ability to discover, select the most suitable strategy and tactics and eliminate the failure.

The "Engineer Officer of the Watch" Trainer is exceptionally useful also for training students in controlling a modern ship propulsion unit. For this reason they see everything in a real form: operating units and conditions very close to reality with noise, a sea, wind, varying outside temperature (of the air and water) and so forth.

A Realized Dream

"I have taken microprocessors to heart because they provide the specialist with an opportunity to realize exceptionally complex algorithms for controlling real objects and devices." This was said by Officer Engr Nikolay Vichev who has totally devoted himself to this area of human knowledge.

Officer Engr Vichev organized an elective course on the principles of microprocessor equipment even when many doubted its capabilities. At a price of great effort he succeeded in a comprehensible language to explain complex processes. "This course has provided us with everything," his students would say later, "because up to then some of us had only read while others knew nothing about microprocessor equipment but none could operate the terminals and create programs for them."

He was one of the first to draw attention to the future of computers in the training process of the students. He was met with understanding and support by the leadership of the N. Y. Vaptsarov VNVMU, the first Pravets-82 machines were delivered and he instructed the students in his group to operate and program them. Since then up to the present he has been constantly training students, instructors and commanders. He is a frequent visitor to the navy units as well as to certain schools in the city. Along with this he helps the departments in working out programs.

Yes, he has compiled many programs himself or has provided help in compiling them. He never refused anyone but still had not adapted the disciplines which he himself taught for computer instruction. It was like in the story of the cobbler with unsewn shoes.... But the troubles with one program will long be remembered: for the "Watch Officer" Trainer. He was working on it together with the students WOs [Michman] Dimov and Marinov. This had been going on for almost 2 months under great stress. When everything was ready, coordinated and it was merely a matter of recording on one disc, some random interference in the power source of the computer erased the entire program from the memory of the floppy disc device. It was a good thing that Vichev with foresight had split up the individual work modules of the various discs. From them he was able to recreate the program, but now errors appeared which had already been eliminated.... In 6-7 hours, they redid what had previously required weeks. But only they know how much strain all this cost them....

The Two Valentins

The names of the students WOs Valentin Dimov and Valentin Marinov are said frequently and with respect in the school. They are programmers of such a level that "they can using a computer model extremely complex processes."

They themselves have mastered the principle of microprocessor equipment. Later in a course organized by the officer Engr Nikolay Vichev they broadened and deepened their knowledge and they had an opportunity to gain sound practice in operating terminals which are included in a single-disc microcomputer. The groups which Dimov and Marinov led designed an analog-to-digital converter, a programmable square-wave generator and so forth, in simultaneously compiling programs and "teaching" the devices to obey them. This "instruction" was devilishly difficult. Because "...in the books it is written that by giving such a signal such and such will happen, but in essence the microprocessor device does what it likes," they related with a smile. Clearly at that time they were not laughing. But they gradually learned the methods and the approach in operating the microprocessor equipment.

The two Valentins were among the first in the school who completely mastered the Pravets-82 and have learned several machine languages. At present, they are able to compile programs of varying complexity: for leading the training process, for monitoring knowledge, for laboratory exercises and for various assignments of the departments and fleet units. Along with PO 1st Class Momchil Yotov, they have led the elective course on operating and programming the Pravets-82.

In spite of their great workload, in terms of grades they are among the very good students.

Students in Front of the Display, by Capt Lt Vasil Danov

Now it is difficult to find a free space for programming under the department where Officer Engr Petur Zhivkov serves. In the morning the computers are employed to instruct the chiefs of the departments and the officers from the school leadership. The class break is not over and the students from the political classroom section hurry to take their places and to turn on their Pravets-82.

The officer Engr Petur Zhivkov begins the exercise with the question of whether there was something unlearned and how the assignment of the previous exercise had been carried out. The students question and a discussion begins in a specialist language. The future political workers are no exception and they like their colleagues, the navigators and engineers, are infatuated by the amazing world of intelligent machines and during study hours, constantly master their language and find their way to the green displays. The instructor told them the aphorism that a computer, like the bicycle, is mastered not only by reading but most importantly by trying, by effort, by falls and bruises over which one will laugh condescendingly the day after.

"Prepare a program," ordered Officer Engr Zhivkov, "for calculating the percentage of outstanding men, outstanding battle stations and the number of outstanding subunits on a ship."

The computers are turned on again and on their screens ordered columns are ranked for the future outstanding men of the ships with the deputy commanders for political affairs, the present students, WOs Plamen Vurbanov, Krasimir Baev, Valeri Stoyanov and Nikolay Dzhambazov. Some quickly go through variation after variation while others stare at the displays and carefully seek the shortest route to a solution.

WO Valeri Stoyanov is the first to be ready with his program. In spite of the fact that he has only had several programming exercises, he has already mastered the principles of the BASIC language, in his free time he worked quite a bit and has already been "bitten" by the computer bug.

The instructor works out his own program and shows it on the large screen of the monitor to which his computer is connected. The hour has ended imperceptibly but after the command, no one left the room. The quiet voices of the students and the clicking of keys continue.

The second hour commenced with a discussion of the compiled programs. Officer Engr Zhivkov complicated the problem and introduced additional sociological elements which had to be computed. On the basis of strictly determined input data, the deputy commander must take the correct decisions for directing party-political work. How? Again the green waves rush across the screen. Gradually the program is worked out and becomes a sociological study. Officer Engr Zhivkov is of the opinion that with such a program entitled "A Method for Investigating the Factors for the Shaping of the Personality of the Serviceman," the future political workers could participate in a student scientific session.

The displays go dark. The discussion of the interesting exercises with the computer continue on the way back to quarters, at dinner and during study hours. The young men are seeking a place for themselves and for their intellect in a new, constantly more complex world.

The Eternally Keen Thoughts of a Creator

Candidate of Technical Sciences, Docent, Engr Ancho Draganov completed the Varna VMEI [Higher Mechanical Engineering Institute] in 1971, but considers himself a Navy man because for almost 14 years he has worked, improved his skills and developed as a scientist and teacher at the N. Y. Vaptsarov VNVMU.

Docent Draganov is not waiting for anyone to pose the problem for him, to set the dates to begin working out his lectures from the standpoint of the new demands. During the present stage microcomputers must be employed in teaching the students the methods of designing various radar and pulse devices; for testing their readiness for training exercises; to carry out their independent work on questions studied during a lecture; for supervising the actions of the trainees in a laboratory or practical exercise. As a result of all of this a very high level of individualization is achieved in instruction. The instructor works with each (and at the same time with every) student, he very easily discovers omissions in preparation and takes measures for supplementary exercises, consultation and so forth.

The feedback is a pleasure. The young men began very actively and with great desire to operate the microcomputers. Many already could program and freely operated them: Cf PO Yotov, POs 1st Class Kulev, Kunev and others. They provided substantial help in working out the programs. This help was truly needed by the instructor because it takes from 100 to 500 hours of work to prepare a large program. Hence in practice the trainer provides the idea and the first entries and after this he can work with students who have been previously taught and can be trusted.

But this level was achieved by a great deal of effort, with much tenacity and sleepless (in the literal sense) nights.

"When the department installed the first microcomputer," said Docent Draganov, "everyone studied: both the students and the instructors. Because we had to be one or several steps ahead of the young men if we wanted to lead them to the new and not be bringing up the rear. Moreover we were obliged to think about the future. And the near future. Computers exist in schools and technical schools. Their number will grow. If we now introduce the youth to using them, then tomorrow they will arrive trained to a certain level and what they learn from us in no instance must be lower but rather a much higher level."

"The idea of the given program can be engendered in front of one's home television set, carried in one's head and grow for days. It is important to be able to realize it by stages, to test it out and improve it," he said.

Docent Ancho Draganov has worked out programs such as "A Method for Designing Multivibrator Devices," "A Test Program for Checking the Readiness of a Laboratory Exercise on Pulse and Digital Devices," "A Program for Independent Study on the Subject 'Multivibrators'," and so forth. The enumerated programs support just one subject in the discipline which he teaches. And there are eight of them! He is thinking up and realizing constantly new programs. In his view if he does not have to reduce his pace (due to his heavy load as the chairman of the VUZ trade union committee), he will need a year and a half to "computerize" his training program. Then without any doubt he will have to actualize or optimize one of them....

Docent Ancho Draganov demonstrated his creations to us. And when the display begins the first of them with the lead text: "The N. Y. Vaptsarov VNVMU, winner of the Orders of Georgi Dimitrov and the People's Republic of Bulgaria, 1st Degree....," when the emerald beam prints line after line and the smart machine instantaneously calculates the given parameters in order to judge how correctly the instructor is able to select them, an involuntary feeling (legitimate and merited) of a creator surrounds him and certainly he is proud that the disc has recorded his searching thought and the result of his unabating search for the new.

The Algorithm of Success

In an interview which we published in the paper it was mentioned that the department "Ship Propulsion Units" had most quickly and painlessly begun to employ a personal microcomputer in its work. The explanation was that the department collective already had 10 years' experience in the use of computers.

The activities of supporting the training process and scientific research began in 1975. They were provided with major help in this area by Candidate of Technical Sciences, Officer, Docent, Engr Ivan Yotov who conducted a programming course for them. Officer Engr Velichko Yanakiev was one of the most zealous students. Even during his instruction, he was able to solve a specific problem in his specialty, in compiling the so-called "Dinam" Program designed for the dynamic calculation of a ship internal combustion engine (KDVG). Later on with the participation of students, a packet of programs was worked out for the integrated investigation of the KDVG and these are employed not only in course and diploma designing but also in the training-research work of the students and the scientific research of the department. They were also the basis of the candidate dissertation of Officer Yanakiev.

The department has traditions in the use of electronic computers. Since 1982, the school has been operating the "Engineer Officer of the Watch" Trainer which is based upon a universal digital computer with complicated programs and mathematical models. Also in 1982, as a result of the highly effective carrying out of a scientific research development for a central department, foreign exchange was provided and the school's first programmable microcalculator was purchased. It was equipped with standard software and terminals for printing and displaying the research results and this broadened the opportunities for scientific research in the department. Incidentally, the first IMKO-2 microcomputer was

delivered at the end of 1983 precisely to the Department of Ship Propulsion Units. It was mastered comparatively quickly due to the experience gained in using the universal computers and programmable microcalculator. A major contribution was made by Engr-Sr Lt Vladimir Grigorov, an instructor and regular graduate student on the department, an officer with outstanding linguistic and mathematical training (exceptionally essential in programming). Also excelling in mathematical preparation was Engr-Capt Lt Yanko Yankov (he completed a course for post-diploma training in applied mathematics at the Sofia Kliment Okhridski University), the Chief Assistant, Engr Ivan Ivanov and Candidate of Technical Sciences, Docent, Engr Peycho Tomov.

On this solid grounds the development of programming was logical and beneficial at the Department of Ship Propulsion Units. In addition to the one for the KDVG, programs were worked out for the operation of ship power equipment, for ship turbomachinery and automation of ship propulsion units for the purposes of the training process. Certainly, these are also designed for scientific research activities.

On the basis of the microcomputers, a system was worked out for testing which made it possible to test simultaneously the knowledge of an entire class section. This is software but even as such an unskilled instructor using the dialogue mode for operating the microcomputer can incorporate his own control questions and answers. The system ranks the students by their grades (an important condition for figuring the competition in the classroom hour) and gives instructions on the poorly assimilated questions. Its developers were Candidate of Technical Sciences, Officer, Docent, Engr Velichko Yanakiev, Engr-Sr Lt Vladimir Grigorov and the laboratory worker Blagodat Komitov.

One of the main tasks confronting the collective is to systematize and indexing the programs worked out up to now. The elaboration of the software for the educational-indoctrinational process and scientific research is continuing. In the future the department is to outfit a classroom with personal microcomputers. The efforts of the department leadership are aimed at teaching programming instructors. In a course organized several months ago, Engr-Sr Lt Grigorov, Engr Simeon Dimitrov and Engr Nikolay Angelov with great thoroughness passed their knowledge on to their colleagues. Engr-Sr Lt Grigorov is also giving a course on programming for students. His students later were turned into an additional group which helped with the software. Working particularly active were the students WO Emil Arnaudov and PO 1st Class Deyan Stoyanov. They are programmers of a rather high level. In confirmation of this, we would point out the third place in the republic student scientific session which WO Arnaudov won with his program.

As a result of their energetic activities and their ability to think and work for the future, the department collective is among the leaders in the school in the struggle to carry out the party's plans.

Problems in the Computerization of Instruction

1. The training of the faculty and particularly the leadership of the N. Y. Vaptsarov VNVMU and the units.

2. To create a system for obtaining information for the already worked out software products from other organizations (in the BNA [Bulgarian People's Army] and the nation) and to provide opportunities for their use and introduction. To solve the problems related to the creation of software, including for encouraging these activities.

3. The configuration of microcomputers. Without memory (mini floppy disc) devices, printers, graphic constructors (plotters), the microcomputers cannot provide the necessary conditions for their effective use in the educational process. This applies particularly to educational and scientific research work.

4. Repair and technical maintenance. The mass introduction of microprocessor equipment in the units and in the higher military schools seriously raises the problem of its repair and maintenance.

5. The highly effective use of electronic computers requires that the necessary subjective and objective conditions be established for its introduction. The hurried resolution of this question in the units and military schools can lead to undesirable consequences, including the compromising of the computer's capability to solve the given problems. For this reason the introduction of this equipment must be carried out on a strictly planned basis and consider all factors which influence the fruitfulness of its use.

10272

CSO: 2200/133

BULGARIA

INTERNATIONAL CHURCH MEETING HELD IN SOFIA

AU271908 Sofia BTA in English 1731 GMT 27 Apr 85

[Text] Sofia, 27 Apr (BTA)--A session of the leading bodies--the Presidium and the Consultative Committee--of the Conference of European Churches (CEC) with headquarters in Geneva was held in Sofia from April 24 through 27, 1985. It was attended by outstanding religious functionaries from many countries such as Dr Andre Appel from France, president of the organization, Metropolitan Aleksiy from the Russian Orthodox Church, vice president, Dr Glen Williams, secretary general, Bishop Jean-Francois Arigui, representative of the Vatican, Bishop Jeremia of the Istanbul Patriarchate, Metropolitan Teoctist from Romania, Metropolitan Chrizostom from Greece, Ufe Gerding from the World Council of Churches, John Dean from the United Biblical Societies, and others.

The session discussed issues related to the preparation of the 9th assembly of the Conference of European Churches which will be held in September 1985.

Due to the expiring of the mandate of the present secretary general, Dr Glen Williams, the session elected Dr Jean Fischer from Switzerland as new secretary general of the Conference of European Churches.

The participants in the session expressed support for the Stockholm Conference on Confidence Building Measures and for the talks in Geneva on nuclear and space weapons. They declared their readiness to continue the work of the European Churches for the triumph of the Helsinki spirit and for averting the nuclear threat.

During their visit the guests had the opportunity to acquaint themselves with the religious activities in this country, with Bulgaria's achievements and with some national historic sights.

CSO: 2200/140

BULGARIA

ARMY PAPER PRAISES ROMANIA'S ARMED FORCES

AU260249 [Editorial Report] Sofia NARODNA ARMIYA in Bulgarian on 25 April carries on pages 1 and 4 a 1,400-word article by Colonel Ivan Zhelev entitled: "The Army of the SR of Romania--a Defender of Socialism," on the Romanian Army in connection with the 30th anniversary of the Warsaw Pact establishment. Col Zhelev describes the Romanian army as a "genuine people's army," since it was created by the RCP "in the course of socialist construction." The author describes the background of the Romanian Army's development under socialism stressing the "fraternal and generous assistance of the USSR and the other socialist community member-countries" to Romania during its economic and social development.

After a lengthy passage dwelling on the structural organization of the Romanian Army, the author states: "In visiting certain units and military training premises of the army of the SR of Romania, and during my talks with high-ranking commanders and party political workers of this army, I became convinced that the present-day Romanian Army is absolutely modern and equipped with the most up-to-date military equipment. Provided with modern weapons and technical equipment, it is capable, in cooperation with the Warsaw Pact member-countries' armies, of fulfilling any combat task in defending its own motherland and socialism as a whole."

In praising the "high cultural and technical standards of training" of the Romanian soldiers, the author further points out:

"The last 30 years that have elapsed since the establishment of the Warsaw Pact eloquently confirmed that the Armed Forces of the SR of Romania, together with the other allied armies, are making their real contribution to the common cause of protecting socialism and preserving peace in Europe and the world. The army of the SR of Romania, which is part of the Joint Armed Forces, is participating in the implementation of the joint measures planned by the joint command, aimed at perfecting and modernizing the educational-training process, as well as in discussing various questions of combat readiness, and so forth. The representatives of the Romanian Army are participating in the organization of symposiums, scientific conferences and meetings, organized by the Warsaw Pact. They are implementing exchanges of military delegations and are expanding relations in the field of cultural activities, artistic, amateur activities, sports, and others."

The last passage of the article stresses that "the accountability report of the RCP Central Committee to the 13th Congress, read by Comrade Nicolae Ceausescu on 19 November 1984, strongly emphasized that the SR of Romania attaches particular importance to its cooperation with Warsaw Pact member-countries and to military cooperation with them in the interest of the defense of socialism against imperialist aggression."

CSO: 2200/140

BULGARIA

BRIEFS

SOVIET MILITARY SHIPS IN RUSE--On the eve of the 40th anniversary of victory over Hitlerite fascism and Japanese militarism, a detachment of Soviet military ships arrived on a visit in our country, under the leadership of Captain 1st Rank Oleg Murabov. Our Ruse correspondent Lyuben Antonov reports from Ruse port on the welcoming ceremony. [Begin Lyuben Antonov recording] A detachment of Soviet military ships arrived on a visit in Ruse port. Cordially welcomed by thousands of citizens, youths, and pioneers from the Danubian city, the Soviet military sailors are accompanied by an group of heroes of the Soviet Union and veterans of World War II who were here in the first days immediately following the liberation in September 1944. The leaders of the town and okrug are also present in the port, which is festively decorated with three-colored and red flags. Rear Admiral Stanchev, deputy commander in chief of the Bulgarian Navy, is also attending the ceremony. [End recording] [Excerpt] [Sofia Domestic Service in Bulgarian 0900 GMT 27 apr 85 AU]

INTERNATIONAL SEMINAR ON SPACE--Sofia, 29 Apr (BTA)--From today through May 11 Sofia will be hosting an international UN seminar on remote sensing of outer space. It is sponsored by the UN Secretariat and the Bulgarian Government in keeping with the recommendation of the Second UN Conference on the Exploration and Peaceful Uses of Outer Space (Unispace 82), held in Vienna in August 1982. The objective of the seminar is to familiarize the representatives of a number of developing countries with the capacities of space technology to solve a variety of economic problems. The seminar is attended by representatives of Vietnam, Gambia, Ecuador, Zaire, Indonesia, Iraq, Jordan, Cuba, Pakistan, Poland, Sudan, Thailand, the Philippines, Sri Lanka. The lecturers are specialists from Bulgaria, the GDR, Canada, the USSR, France, the European Space Agency (ESA). The participants can see a number of exhibits from international exhibitions related to the subject of discussion. ["Peaceful Uses of Outer Space"--BTA headline] [Text] [Sofia BTA in English 1344 GMT 29 Apr 85 AU]

CONGOLESE WORKING GROUP--In implementation of the plan on cooperation between the BCP and the Congolese Labor Party, from 25 to 29 April a Congolese Labor Party working group visited Bulgaria. The group was led by (name indistinct), deputy head of the party's Central Committee International Relations Department. The working group was received by Comrade Dimitur Stanishev and had talks at the BCP Central Committee Foreign Policy and International Relations Department. Opinions were exchanged on many topical international issues, and more especially on the Balkans and the African Continent. Mutual

willingness was expressed to further expand and enrich the two parties' co-operation on the basis of the principles of Marxism-Leninism and proletarian internationalism. Today the Congolese delegation departed from Bulgaria.
[Text] [Sofia Domestic Service in Bulgarian 1930 GMT 29 Apr 85 AU]

CSO: 2200/140

CZECHOSLOVAKIA

CHANGES SOUGHT THROUGH SCIENCE, RESEARCH

Bratislava PRAVDA in Slovak 7,8 Feb 85

[7 Feb 85, p 3]

[Excerpts] Alvin Toffler, the author of the popular book "The Third Wave," stresses with good reason that all relevant sociopolitical problems with which the governments of the capitalist countries are struggling at present (unemployment, escalating poverty, discrimination against the majority of the working people, violations of basic human rights, etc) are conspicuously affected precisely by scientific and technological changes. Of course, we reject on principle methodological solutions, basic criteria for evaluation and prescriptions which bourgeois sciences and propaganda have introduced for the solution of such problems. Nevertheless, we cannot pass them without noting the objective and increasingly obvious fact that the era which began in the most developed countries with the toppling of factory chimneys has brought closer the end of industrial civilization and that we must face the profound socioeconomic changes affecting also our development. It is certain that they will become even more glaring than the changes generated some time ago by the advancing mass production during the industrial revolution.

The achievements of the scientific-technological revolution, such as the introduction of computers and robots in the industry, the rapid penetration of highly advanced techniques and technologies even into nonproduction areas, particularly into services, the explosion of the heretofore unimaginable communication systems, biotechnologies, new materials and new sources of energy, the expansion of increasingly cheap consumer electronics, the design of qualitatively new information programs, including artificial intelligence, the application of the achievements of genetics as well as of integrated scientific-technological systems which enable us to reach as far as to outer space beyond the solar system--all those realities are forcing us to count of amazing transformations in all structures of social activities. As part of the transition to a qualitatively new developmental stage those changes will produce a comprehensive effect on the whole system of human life. From these facts we must deduce fundamental and--since this involves global problems--comprehensive decisions and lessons for our creative scientific programs.

The further development of socialism, the advance of the world revolutionary process and the implementation of the conditions of a peaceful life on our planet categorically demand that every prerequisite be provided for the

achievement of social labor productivity that will determine in our favor the difficult struggle waged in every area between capitalism and socialism. This literally concerns our own future, the future of socialism and the prospects for a communist civilization.

The editorial of PRAVDA in Moscow of 17 January 1985, "To Be on the Level of the Highest Demands of Socialism," rightfully emphasized that Soviet society cannot advance "without serious changes in the economic area," without a qualitative turn in all of its national economy. However, the conclusion which stems from this fact is inspiring and relevant in terms of methodology: "Life urgently demands that our planning as well as the entire economic praxis be thoroughly justified, mainly in political and economic terms. That requires perfect knowledge of the whole system of the objective laws of socialism. Success may be achieved only if we clearly understand their essence and if we are always concerned about the orderly process of the mechanism of their application."

It is obvious that also in our Czechoslovak conditions the demanding nature and the qualitative novelty of our current tasks, the inevitable intensification of the dynamism of the social development and improvement of the efficiency of the socialist praxis in the interest of the working man's needs, make it inevitable for sciences to conduct a comprehensive scientific analysis of the current conditions of our society as well as of its further development. To borrow again the formulation of the above-mentioned editorial in the Moscow newspaper PRAVDA--it is inevitable "to see clearly what society may--and may not--achieve within the framework of the first stage of communism. This means that for us it is unacceptable to set up some alluring, albeit unattainable goals. Nonetheless, it is understandable that one cannot endorse the other extreme, i.e., to underestimate the potential of the socialist system and to adhere to excessively modest visions of its creative force... It calls for a solid standpoint based on facts and not for replacing the knowledge of the laws and of the realistic process of social development with emotions and flights of fancy."

There is no need to underscore that it is an unusually complex task to make scientific assessments of the society in which we live and on that basis, to outline the way for its further advancement. After all, we know from the history of the building of socialism in our country and in other countries of the socialist community that the processing of the analyses of social conditions and the assessment of the achieved level or stage of the building of socialism and the determination of the global socioeconomic objectives for social development as well as [the determination] of tactical means for their achievement are among the most challenging but at the same time, also the most meaningful programs.

Correct determination of the goals for the socioeconomic development of our socialist society, the selection of specific political measures and the chosen ways and means depend on the depth and complexity of scientific knowledge of the current stage in the building of socialism, on the assessment of the accomplishments and on the analysis of natural trends of the future development.

Intensification of Marxist-Leninist knowledge of the current stage, motivating forces and contradictions of social development, the potential and the resources of further advancement in every area of our social life are the foundations and solutions for a comprehensive constructive program for the development of socialism in our country, so that the revolutionary vanguard of our people--the communist party--may carry out to the fullest its irreplaceable mission as the leading political force of society.

The ongoing aggravated ideological struggle of socialism with capitalism, the global problems and contradictions of the current era, their expressions and developmental trends--all that determines the great challenges to scientific knowledge and efficient application of the laws and motive forces of socialist society in the praxis of management. New tasks in the building of socialism are bringing new kinds of problems which call for unconventional solutions. It is obvious that only comprehensive scientific analyses of the current situation and its inherent developmental tendencies may bring a meaningful contribution to our scientific knowledge of the existing and qualitatively new problems and thus, to help provide the points of departure for their solution, for more efficient social praxis and for a greater dynamism of the entire social development.

[8 Feb 85, p 3]

[Excerpt] Because it is inevitable to find a comprehensive solution of developmental problems of our socialist society and because thus far there has been a lack of research programs that could analyze the problems of our Slovak society in its complexity, the Institute of Marxism-Leninism at the CPSL Central Committee developed an initiative upheld by the decisions of the Presidium of the CPSL Central Committee, the Secretariat of the CPSL Central Committee and the Presidium of the Slovak Academy of Sciences, calling for the organization and action of an interdisciplinary team which will resolve the task "The Current Situation of Socialist Society in the SSR and Perspectives for Its Development."

It is obvious that the scientific analysis of the current situation and of the prospects for the SSR society must be the result of an organic synthesis of the forces of the whole scientific potential focused on society, which is at our disposal in the SSR; here we cannot regard the disciplines of the so called social science as the only science of society. If we accept the premise that in its essence social development is a natural and historical process which in the era of determined inevitability must control the achievements of the scientific-technological revolution and combine them with the advantages of socialism to form qualitatively new dimensions and contents, then it is not only necessary to recognize verbally but also to translate into reality the comprehensive character of the scientific knowledge of society. During that process certain natural and technical sciences cannot be absent (as confirmed at long last by the goal-oriented programs for comprehensive research, such as the USSR program for the exploitation of Siberia, the comprehensive R&D programs, or the food program; the fifth generation of computers in Japan and the USA, and other programs).

The current situation of the SSR society and the perspectives for its development are of a qualitatively new type of a task, with which basic research and the vanguard of social science in the CSSR lack any experience. Thus, this task has inevitably generated--and will generate in the future--serious methodological problems. The character of the objectives of research, the provision of scientific facilities for research, the range of the anticipated cooperation of numerous work teams and institutes as well as the urgency of the time factor which determines the fulfillment of this task--all these issues are causing quite naturally a number of problems and are imposing new demands on the management and organization of all research.

It was not incidental that, proceeding from the experience of the 1960's and especially from realistic assessments of the sociopolitical and economic situation on the verge of the 1970's and 1980's, the 16th CPCZ Congress assigned the vanguard of our social sciences the task to "prepare the groundwork for the development of the party's operational program for the solution of the most important tasks of the further socioeconomic development of our society." In our opinion, the fulfillment of this demanding task calls above all for the following:

1. An explanation of the problems of the historical relevance and of the laws which control the creation and development of the communist socioeconomic formation and in particular, of its socialist stage; realistic assessments of the level achieved in the implementation of the historical goals of communist reconstruction of social relations, and a clarification of the criteria for the advance in the stage of developed socialism;
2. A thorough scientific analysis of the current conditions of our society; the point of departure must be comprehensive knowledge of the existing situation and on that basis, probable trends will be projected for the further development of the socialist society in the CSSR, or specifically, in the SSR.

The fulfillment of this unusually challenging tasks demands comprehensive, holistic research of Czechoslovak society and its individual areas, and identification of the main contradictions in our society, mutual relations of the most important social subsystems; the fulfillment of the objective demands on the subjective factors and on its potential programs; in brief, it calls for scientific knowledge of the objectively existing, specific, historically determined social conditions in our country, which are linked with the whole complex of international relations. This task can--and must--fulfill the most significant cognitive functions of basic research and the purpose of science, namely, help efficiently in programming further social development.

The programming function of the communist party is based on scientific knowledge. Science may play a distinctive, active and effective role in the revolutionary transformation of our society precisely by its holistic comprehension of research of the current conditions and prognoses, i.e., strategic purposes of socialist development. This may also be expressed as follows: if the prognostic function is not to deviate from its inevitable foundation and point of departure, it cannot evade the actual, existing situation of socialist development, and focus exclusively on long-range goals.

In their essay "Selected Prognoses for Socioeconomic Development of the CSSR-- Part I: Economic Development" a team of experts from the Economic Institute of the Czechoslovak Academy of Sciences under the leadership of corresponding member Fratrišek Valenta reached the clear conclusion that the prognostic program must help provide realistic and reliable points of departure from the current situation: it must proceed from an analysis of the long-range trends of social development as well as from the specific conditions of Czechoslovak economic development in terms of the 1980's and 1990's. An extensive project for a comprehensive prognosis of the scientific-technological and socioeconomic development of the SSR until 2010, prepared by a team of experts under the leadership of the corresponding member of the Slovak Academy of Sciences, Ivan Okali, proceeds from the same methodological base. Thus, the methodological premise has been found correct that the analyses of the current situation must not be separated from the prognostic function and that it is necessary to study the former and the latter areas as relatively independent subjects of scientific interest.

One may acknowledge with gratification that in conjunction with the struggle for the formation of a complete character and structure of the state plan for basic research, the idea has been accepted on the whole in Slovakia--in agreement with social priorities--to focus the cadres available at present in scientific, scientific-pedagogical and other research institutes on the solution of the most vital problems and thus, also on the task of scientific research whose objective is coordinated interdisciplinary comprehensive research of the current situation and of the perspectives for the development of our society. Its primary purpose and goal are to develop scientific expert opinion concerning the situation and the perspectives for the development of the SSR society, which is in full agreement with the need to forge and strengthen the links between sciences and political bodies in the interest of a successful implementation of the general policy in the building of a developed socialist society in the CSSR.

Experience has confirmed that the theory of the building of socialism may be enriched only if based on the most authentic and the most comprehensive scientific knowledge of the changing realities. Likewise, the current stage in the building of a developed socialist society demands that the concrete historical Leninist approach be consistently enforced in the analysis of social phenomena and in the determination of the perspectives for the further development of society. As we have shown, this kind of theoretical research has not only a scientific but also a great political and practical meaning and impact. In December of 1984 Mikhail Gorbachev said: "Theoretical conclusions which become convictions of the people and which are transformed into the activity of millions of people undergo at the same time a crucial test and experience translates them into reality."

It appears that if science is to speed up the development of our society, it must render more effective help in the search for the best possible options in the solution of problems stemming from the building of a developed socialist society. Social sciences must more efficiently identify the obsolescent methods, means and social mechanisms and invent new ones that will--or may be able to--help develop socialism and enhance its complete ascent.

Mikhail Gorbachev's words that for social sciences it is inevitable to focus with determination on practical application and that one cannot be satisfied with their achievements thus far apply to the theoretical vanguard as well: "To this day social scientists have only haltingly and timidly approached the solution of key theoretical problems of our development. Social sciences should offer realistic but at the same time stimulating conclusions with regards to the contents, ways and means by which to achieve extensive transformations in our economy and in the sociopolitical and spiritual spheres."

Our socialist society has provided ample space for creative research of urgent socioeconomic and other problems. Sciences must use it boldly.

9004

CSO: 2400/322

CZECHOSLOVAKIA

BITTER PRESS ASSAULTS ON WORLD WAR TWO U.S. ARMY CONDUCT

AU261538 [Editorial Report] Prague, RUDE PRAVO in Czech on 24 April on page 4 carries a 3,000-word article by Ivan Broz, entitled "In the Shadow of the Last Bombs." The article deals with the role of the U.S. Army on the territory of Czechoslovakia in the final stages of World War II. Lengthy articles on the same topic have also recently appeared in other Czech dailies: On 19 April, on page 4, Prague PRACE in Czech published a 3,500-word article by Frantisek Havranek entitled "Accidents or Connections?," recalling the 40th anniversary of the bombing of the Skoda industrial complex in Plzen by the U.S. Air Force; and on 10 April, on page 4, Prague MLADA FRONTA in Czech published a 3,000-word article by Jan Cech entitled "The American Army in Western Bohemia in 1945."

Broz opens the RUDE PRAVO article by recalling the "heaviest ever air raid on Czechoslovak territory" on 25 April 1945, which destroyed 70 percent of the Skoda works in Plzen, the largest industrial plant in Czechoslovakia at that time. Broz denies that there was any military justification for the raid, given the approaching end of the war, and detects a connection between the raid and the declaration of the Czechoslovak Government's first postwar program in Kosice 3 weeks earlier, which envisaged the nationalization of key industries. Broz says: "The order to the pilots was undoubtedly motivated by the interests of those who wanted to eliminate for a long time after the war the competition of the Czechoslovak engineering industry and to weaken the national economy of the country, a considerable part of which had already been liberated by the Soviet Army."

Following his account of the bombardment of Plzen, Broz reviews the correlation of forces on Czechoslovak territory in the final stages of the war. He says that the U.S. troops designated for crossing the Czechoslovak border consisted of 4 infantry and 3 tank divisions, totalling 150,000 men. The German Army of Field Marshal Schoerner operating in Bohemia and Moravia had a total of 80 divisions with some 900,000 men, while the Soviet Army deployed there had as many as 180 divisions with 2.1 million soldiers. These figures alone, Broz says, "predetermined who would contribute to the final defeat of fascist troops on our territory, and how." Moreover, the "core of fascist troops was in the area of the Soviet Army's operations" while the Americans encountered only "decimated segments" of the Wehrmacht. To confirm this, Broz cites an American war chronicle stating that the German troops' resistance was "weak" and that their shooting was "sporadic" and from "light weapons and mortars" only.

The author goes on to describe the liberation of Plzen in early May. He says that even before American troops under Colonel Nobel entered the city on 6 May, Plzen had been taken over by a "revolutionary national committee." However, once the Americans took control, they forced the Czech insurgents to hand in their weapons and appointed themselves a mayor and a police chief. This refusal of the Americans to recognize Czech administrative organs, Broz says, was the standard procedure which lasted until June 1945. American commanders reportedly even refused to recognize some West Bohemian localities (such as Cheb, Locket, or the area near Domazlice) as parts of Czechoslovakia.

Further on, Broz reviews the history of the allied powers' agreement on the demarcation line where Western and Soviet troops were to meet at the end of the war. He says that the final line--along the Mulde and Elbe rivers--goes back to an initiative of General Eisenhower, which was accepted by Stalin. Broz notes that while Churchill, Montgomery and some U.S. State Department officials wanted the American military command to attack Berlin and to occupy Czechoslovakia up to the Znojmo-Boskovice-Bruntal-Nachod-Liberec line, Eisenhower "retained a sense of reality" and backed away from such "unrealistic operations." Broz attributes Eisenhower's "consistent compliance" with the agreed demarcation line to his awareness of the "slow advancement" of the Allied Armies on the Rhine; to his perception of the strength of Schoerner's army in the Czech lands; as well as to the force of "objective political reasons," especially Washington's realization that it would need the Soviet Union's powerful land troops to expedite the defeat of Japan.

Broz says that the population of West Bohemia welcomed the American troops "cordially, in a friendly way, as allies taking part in the liberation of our homeland." "All the greater was their embitterment," however, he goes on to say, "when American commanders restricted the activity of revolutionary bodies and, in many cases, even prevented Czech volunteers from their zone from leaving for the Prague barricades." He cites the case of the American command "dispersing" a gathering of volunteers from Plzen on 6 May 1945 before they could leave for Prague to help fight in the capital's uprising, adding that "similar situations" occurred at other localities under American control as well. Discussing further the role of American soldiers in Czechoslovakia, Broz cites a report of the Czechoslovak Ministry of National Defense "on the situation in border areas occupied by the U.S. Army" of 12 June 1945: "In many localities, the newly set up national committees are not recognized by the American troops as organs of the Free Czechoslovak Republic.... The Czech population is at the mercy not only of the civilian German populace, which continues to be armed, but also of diverse gangs made up of former members of the Schutzpolizei, Kriminalpolizei, and even the Gestapo.... On the other hand, American military authorities evidently protect--sometimes by directly interfering--the German populace and German interests against the Czech authorities.... The chairman of the national committee of Strakonice was deposed and the former hejtman [local government official] from the time of the protectorate was installed in his place.... The borders are constantly being violated and large amounts of goods and materials are transported to Germany. The customs administration in the border areas does not function, industrial enterprises do not operate, fields are not being tilled, and acts of systematic, purposeful sabotage against the interests of the free Czechoslovak Republic are being committed. All this is possible only due to the lack of interest of the American occupation army."

Concluding the article, Brox says: "Our citizens respectfully bow to the sacrifices brought by all nations for the joint victory of the anti-fascist front. That is also why they hold in esteem American soldiers from the front combat echelons, why they hold in esteem all committed anti-fascists, all members of the anti-Hitler coalition.

"The legacy of the joint struggle of Soviet and American soldiers and of all fighters against the common danger at that time continues to be topical and relevant: In commemorating the heroism of the nameless millions, all upright people irrespective of their political, ideological, religious, or racial differences must intensify their joint struggle against the new threat hovering over mankind, against the threat of a nuclear and space apocalypse."

The Havranek article in Prague PRACE in Czech on 19 April gives a detailed account of their air raid on the Skoda works on 25 April 1945. It assesses the extent of damage to Czechoslovak industry and, like Broz in his RUDE PRAVO article, dismisses military considerations as possible motives for the raid. The Czech article in Prague MLADA FRONTA in Czech on 10 April is essentially a report on the author's interview with Frantisek Paitl, lecturer of the West Bohemia CPCZ Regional Committee, who "specializes in the role of the allies, particularly the U.S. Army, under conditions in West Bohemia." In assessing the role and behavior of American troops in Czechoslovakia, Paitl comes to conclusions which are similar to those of Broz in his RUDE PRAVO article. In all three articles--Broz's, Havranek's, and Czech's--the entry of U.S. troops into Czech towns is consistently referred to as "obsazeni" [seizure, occupation], while all equivalent operations of the Soviet Army are referred to as "osvobozeni" (liberation).

CSO: 2400/379

GERMAN DEMOCRATIC REPUBLIC

ELECTRICAL POWER REQUIREMENTS FOR FIGHTER AIRCRAFT

East Berlin MILITAERTECHNIK in German No 1, 1985 (signed to press 9 Nov 84)
pp 44-47

[Article by Lt Col G. Hummitzsch: "Electro-Energy Supply of a Modern Fighter Aircraft"]

Text The central energy supply systems in fighter aircraft have undergone extensive changes in the past few years. With the advance of automation, electronic systems for fighter aircraft have become available regardless of the basic uses for which the fighter aircraft are intended. This means more stringent requirements with regard to quality and quantity of the electrical energy supply.

According to [1] a central electrical energy supply stem is understood to mean the complete electrical energy generating and electrical energy distributing installations. They can include one or several voltage levels.

The electrical energy generating systems include all electro-technical devices which either generate electrical energy of a particular voltage level or convert electrical energy in one or several generating channels working in parallel. The energy generating channels include operating means such as generator drive, generator, control, switching, monitoring and protective devices. All components listed affect the quality and reliability of the electrical energy supply. Finally, the electrical energy distribution system makes it possible to connect the electrical energy generating system to the on-board supply system. It also includes switching and line protection devices.

The protective devices must meet the following general requirements: they must act selectively and work automatically and as quickly as required. They are considered and included in the design and circuitry of the generator and line protection devices. The fighting properties of the fighter aircraft depend substantially on the trouble-free electrical energy supply to the radio-location system for locating and intercepting targets, the sighting devices and aircraft weapons installations, the on-board complex systems as well as other special circuits.

The continuing further development and modernization of aircraft technology made it necessary to build more modern and efficient voltage sources into the fighter aircraft. The more intensive development of a.c. current supply systems

(Fig. 1) is not only a measure necessitated by the increased power requirements due to the expansion of special technology. Higher voltage and frequency levels make it possible to reduce the conductor diameters considerably while meeting the same power requirements, which results in material savings and above all in a reduction in the mass of the on-board electrical supply system.

1. The Structure of Electrical Energy Generation

When designing the structure of electrical energy generation the following factors must be considered: the necessary electrical energy power requirements, the developmental stage of the operating means for the electrical energy generating systems, the need for high reliability, the guarantee of an emergency supply for a limited flight time, and more. Therefore, in addition to the main voltage sources--d.c. and a.c. generators--batteries are used in fighter aircraft as back-up voltage sources (Fig. 2); when the a.c. generator fails, electric motor transformers or d.c.-a.c. converters supply the emergency a.c. voltage for part of the special technology.

The generators are driven by the motor via special device drives. The terminal voltage of the d.c. and a.c. generators is determined by the magnetic flux of the exciting circuit, by the rotor speed and the load current.

The motor operating ranges idle, rated output and maximum output have very different speeds. Despite great changes in speed and load the terminal voltage is kept approximately constant by voltage regulators. The frequency of the voltage generated in the a.c. generators is stabilized by a constant speed gear. According to [2] hydraulic, pneumatic, electro-mechanical or mechanical constant speed gears are used in aircraft. In addition to the hydraulic constant speed gears mentioned further advanced fluid transmission gears are also used in fighter aircraft which use fuel as a working material. The effectiveness of the control units is sufficient to meet the quality characteristics of the electrical energy generation according to GOST 19 705-81: d.c. supply in normal operation $28.5 \pm .5V$ and a.c. supply in normal operation $115 + 4 V$ with a frequency stabilization precision of ± 5 percent in the 380 to 420 Hz range.

1.1 Generators

In view of their function as main voltage sources for the electrical energy supply in fighter aircraft the d.c. and a.c. generators must meet special operating requirements. Their development has to take into account that during use the aircraft technology is exposed to great changes in pressure, temperature, air density and humidity.

The reduction of air humidity and oxygen partial pressure at high flight altitudes, for instance, leads to greater wear of the carbon brushes in electrical motors. This requires the use of special height and temperature resistant carbon brushes in the series GSR ST 12,000 WT (Table 1) generators.

By using a combination air-liquid-cooling-cycle the series GSR ST 18/70 KIS (Table 1) generators can be used for flight altitudes up to 30 km. As long as the operating temperature is below +110 C these generators are air-cooled only. If the permissible maximum operating temperature is exceeded, the liquid-cooling circulation begins to work. Distilled water or a water-spirit solution is used as a coolant. The coolant flows through a pipeline to the distributor nozzle. The liquid film forming on the interior surfaces of the collector and rotor prevents overheating.

The series GT and SGK generators (Table 2 [3], [4], [5]) are electrical motors without collector ring. The absence of the sliding contacts increases their operational reliability, and less monitoring during use is required than would be the case otherwise. These generators are air-cooled only.

A high specific power rating is characteristic of aircraft generators. The specific power of the d.c. generators is six to seven times larger than that of conventional generators [3]. Such qualitative characteristics are due to the use of new work materials and forced cooling. Thus it became possible to drive the generators in a higher speed range and at higher operating temperatures. All aircraft generators are designed in such a way that the generators are cooled automatically even under medium loads to prevent any overheating. Therefore, the permissible maximum loads for limited time periods as specified in the utilization regulations have to be observed, particularly when starting up the electrical energy generating system on the ground.

1.2 Batteries

In fighter aircraft the on-board batteries are used as back-up voltage sources; in special cases they can also be used to start the engines.

The on-board batteries function primarily as a back-up voltage source, and when the generators fail they must ensure a supply of electrical energy to selected installations and systems which is limited in time and greatly reduced. As a rule, the generator failure involves cancellation of the flight mission and approaching a landing site. For this period of approximately 15 to 20 minutes the installations and systems listed must be functional so that the fighter aircraft can land safely. As a consequence, the capacity of the on-board batteries approved for inclusion in aircraft must not fall below a certain minimum capacity.

Table 3 [2], [3] gives an overview over a few types of batteries which are used depending upon the type, scope and operating conditions of the aircraft technology, but also with a view to economical aspects.

As can be seen, with regard to their parameters such as efficiency, capacity and mass the silver-zinc-batteries are best suited for use in fighter aircraft. On the other hand, the procurement costs are considerably higher than those for other batteries. An important characteristic, the specific energy of the batteries, indicates the negative influence of ambient temperatures on maximum

energy delivery. Therefore, when the temperature falls below a preset point the built-in on-board batteries are heated by an external voltage source, if the aircraft is parked longer than a preset time period between battery installation and takeoff.

Aircraft batteries differ from conventional batteries in their design in particular with regard to their special cell screw caps. The screw caps which lock the opening for filling electrolyte are made in such a way that no electrolyte can escape from the cells at an operational flight altitude specified for each type of battery and in any aircraft position. Special excess pressure locks make it possible to use silver-zinc-batteries up to a flight altitude of 25 km and series ASAM nickel-cadmium and lead batteries up to 35 km [3].

To ensure the highest aircraft safety possible the technical engineering personnel must adhere strictly to the instructions provided when maintaining and operating the batteries. The minimum capacity of a silver-zinc battery, for instance, must be 40 Ah prior to takeoff, and on-board batteries must not be used for any functional checks of the aircraft equipment.

1.3 Electrical Motor Transformers and d.c.-a.c. Converters

Electrical motor transformers and d.c.-a.c. converters convert the d.c. voltage of the on-board supply system into a.c. voltage.

Central electrical energy supply systems which include a.c. generators with adjustable speeds require electrical motor transformers to supply voltage to those circuits which require a stabilized frequency. In electrical energy systems equipped with a constant speed gear, in which therefore the frequency of the a.c. voltage is kept constant, the motor transformers are used as back-up voltage sources.

Electrical motor transformers basically consist of three main parts: the motor part, the generator part, and the regulator part (Fig. 3).

As a rule, the d.c. motor is connected to the battery bar of the electrical on-board network and transforms the electrical energy supplied to it into mechanical energy. The rotor of the a.c. generator is rigidly connected to the motor rotor. In the generator part the second energy transformation takes place, the transformation of mechanical energy into electrical energy.

Not least due to the dual energy transformation the efficiency of the electrical motor transformers is very low (Table 4). On-board supply voltage and load changes interfere with the output voltage and frequency levels. To compensate for these interference factors the speed of the d.c. motor is stabilized by the frequency regulator, and the excitation of the a.c. generator is influenced by the voltage regulator.

The relative simple design of the motor generator as well as the high precision and reliability of the regulating system are reasons for using the electrical motor transformer. On the other hand, compared to modern d.c.-a.c. converters they are less efficient, have a shorter useful life and require more maintenance.

The use of d.c.-a.c. converters in aircraft equipment is closely related to the constant further development and modernization of the central electrical energy supply system. The d.c.-a.c. converter converts a d.c. voltage into an a.c. voltage of any frequency and phase value. It has no rotating motor parts. It consists of electronic power components.

The series POS and PTS d.c.-a.c. converters produced in the Soviet Union and the series LUN converters produced in Czechoslovakia are new developments which are ready for use. The output values of the d.c.-a.c. converters must meet the same stringent precision requirements as the electrical motor transformers.

Basic quality characteristics are an a.c. voltage coming as close to a sine wave as possible, high voltage and frequency stability and stable phase distance in the three-phase current system. To ensure that these requirements are met extensive regulating and control circuits are required compared to the electrical motor transformers (Fig. 4). However, when the operating instructions are followed, the use of modern electronic components guarantees a greater operating safety, i.e., the d.c.-a.c. converters conform better to the standards for a high degree of flight safety.

2. Development Tendencies for Central Electrical Energy Supply Systems

Quality characteristics such as high operating safety, reduced maintenance, reduced mass and others determine the use of new or more highly developed elements in electrical energy generation.

Generators without a collector ring with higher voltage levels are used more and more frequently. They make it possible to reduce the size of the constant speed gears and to perfect the cooling systems. This further reduces the need for maintenance and leads to better specific efficiency values.

The continued development of micro and power electronics will change considerably the structure of the control, regulating and protective devices of the electrical energy supply systems. By using digital computers the following is possible:

- improved precision and dynamic performance of the voltage regulation,
- improved effective and reactive load when operating a.c. generators in parallel,
- a more effective control of the on-board electrical supply system in case of a malfunctioning.
- diagnosing the technical state of the electrical energy generating and electrical energy distributing systems and more [2].

The advantages over the conventional control, regulating and protective systems are high information processing speed and information storage capacity. At the same time, the possibilities of technical engineering personnel maintaining the special technology are improved.

Related to the use of digital computers are changes in the design of the onboard electrical supply systems. The greatly increased number of information and control signal transmissions would not be possible with conventional onboard supply systems. Despite a great number of tasks to be performed the use of electrical or optical multiplex channels reduces the mass of the onboard electrical supply system and will contribute to increased flight safety.

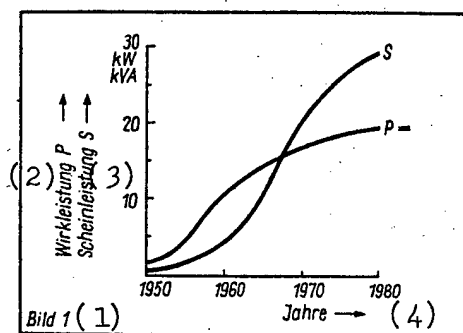


Figure 1 Development of the Electrical Energy Supply

1. figure 1
2. effective output P
3. apparent output S
4. years

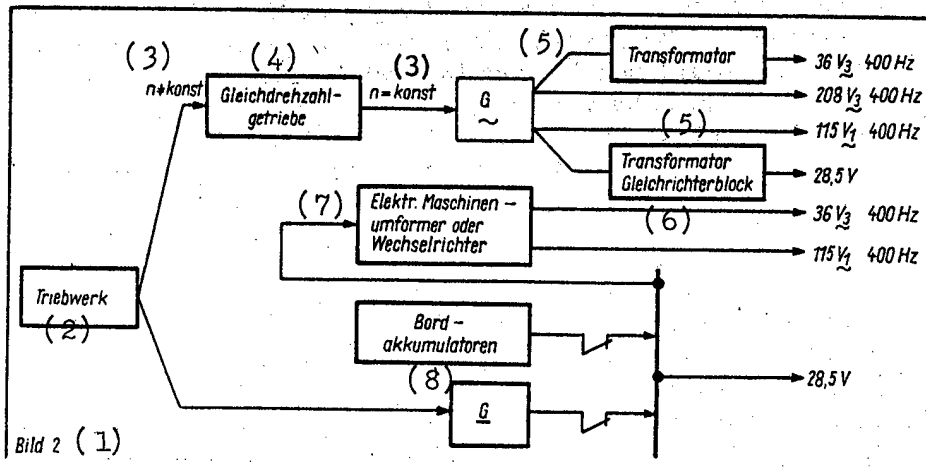


Figure 2 Structure of an Electrical Energy Generating System

1. figure 2
2. motor
3. constant
4. constant speed gear
5. transformer
6. rectifier stack
7. electrical motor transformer or d.c.-a.c. converter
8. on-board batteries

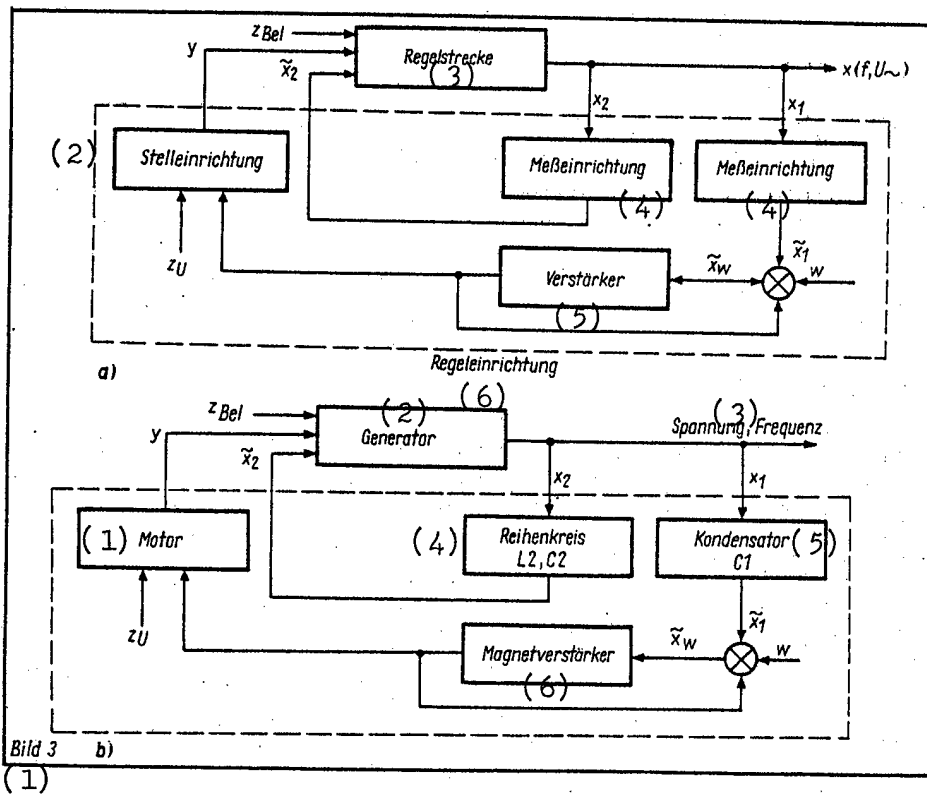


Figure 3 Control Circuit of an Electrical Motor Transformer


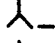


- a.
1. figure 3
 2. actuator
 3. controlled system
 4. measuring device
 5. amplifier
 6. controller
- b.
1. motor
 2. generator
 3. voltage, frequency
 4. series circuit
 5. capacitor
 6. magnetic amplifier

Typ (1)	(2) Spannung mit Regler in V	(3) Nenn- leistung in W	(4) Nenn- strom in A	(5) Drehzahl- bereich in 1000 Umdr.	(6) Zwangs- kühlung in l/s	(7) Masse in kg	(8) Spezifische Leistung in W/kg
GSR 9000	28,5	9 000	300	4 ... 9	95	24,4	369
GSR ST 12 000 WT	28,5	12 000	400	4,2 ... 9	140	31	387
GSR 18 000 M	28,5	18 000	600	4 ... 9	225	41,5	434
GSR ST 18/70 KIS	28,5	18 000	600	4,1 ... 9	200	42,5	424

Table 1 d.c. Generators

1. model
2. voltage with regulator, in V
3. rated power in W
4. rated current in A
5. possible speeds in 1,000 revolutions
6. forced cooling in l/s
7. mass in kg
8. specific power in W/kg

(1)

Tabelle 2 Wechselstromgeneratoren						
Typ	(2) Spannung mit Regler V	(3) Leistung kVA	(4) Frequenz Hz	(5) Besonder- heiten	(6) Masse kg	(7) Schaltungs- art
SGO 8	115	8	400...900	Außenpol- maschine (8)	31	
GO4PTsch4	115	4	400...900	Außenpol- maschine (9)	15	
GT 40PTsch8	208	40	400	schleifring- los, magneto- elektrische Erregung -1-	(10) 47	
SGK 30/1,5	208	30	400	schleifring- los, magneto- elektrische Erregung -2-	(11) 37,5	
	115	1,5	400			

(12)

Anmerkung: -1- Innenpolmaschine, rotierende Dioden, -2- Innenpolmaschine, Sektin

Table 2 a.c. Generators

1. model
 2. voltage with regulator, V
 3. power, kVA
 4. frequency, Hz
 5. special features
 6. mass in kg
 7. type of circuit
 8. external pole motor
 9. external pole motor
 10. magneto-electric excitation without collector ring -1-
 11. magneto-electric excitation without collector ring -2-
12. Note: -1- internal pole motor, rotating diodes,
-2- internal pole motor, Sektin

Tabelle 3 Flugzeugakkumulatoren		(6)						
(1) Typ	(2) Leerlaufspannung in V	(3) Kapazität in Ah	(4) Masse in kg	(5) Wirkungsgrad (8)	Spez. Energie -1- in Wh/kg			(9) Kostenvergleich in %
					bei +20 °C	bei -20 °C	bei -40 °C	
(10) Bleiakкумулятор				0,85 ... 0,9	36	18	8	100
12 ASAM 23	24	23	30					
12 SAM 28	24	28	28					
(11) Silber-Zink-Akkumulátor				0,95	90	40	6	1088
15 SZS 45	27,3—28	45	16					
(12) Nickel-Cadmium-Akkumulátor				0,67	38	26	19	622
20 NKBN 25	25	25	24					
(13)	-1- Unter dem Begriff der theoretischen spezifischen Energie versteht man die Elektroenergie, die, auf die Masseinheit der aktiven Masse bezogen, dem Akkumulátor entnommen werden kann. [2]							

Table 3 Aircraft Batteries

1. model
2. open-circuit voltage in V
3. capacity in Ah
4. mass in kg
5. efficiency
6. spec. energy - 1-
in Wh/kg
8. at at at
9. cost comparison
10. lead battery
11. silver-zinc battery
12. nickel-cadmium battery

13. -1- The term "theoretical specific energy" is understood to mean the electrical energy relative to the unit of mass of the active mass which can be drawn from the battery.

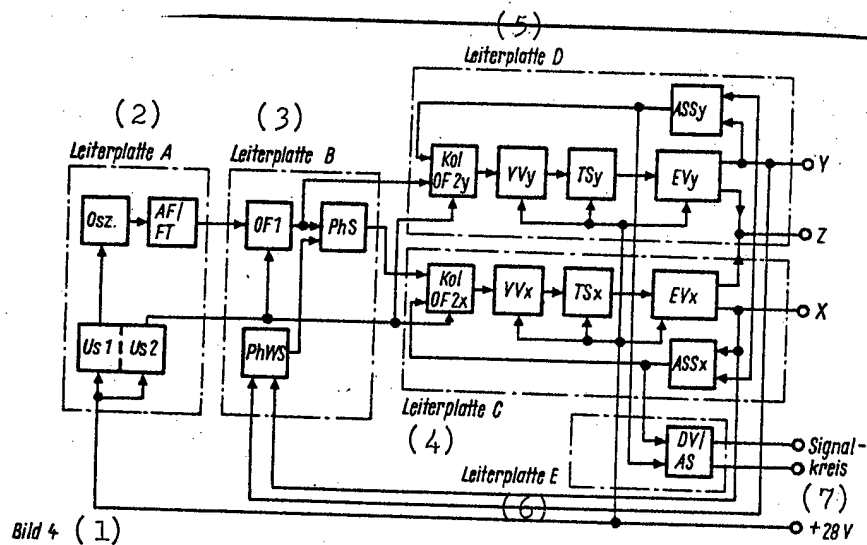


Figure 4 Signal Flow Chart of the d.c.-a.c. Converter LUN 2456.01-8

- Us voltage stabilizing circuit
- Osz oscillator
- AF amplitude former
- FT frequency divider
- OF harmonic wave filter
- PhS phase shifter
- PhWS phase angle stabilization
- Ko input capacitor
- OF harmonic wave filter
- VV preamplifier
- TS power driver stage
- EV power amplifier stage
- ASS output voltage stabilization
- DV voltage difference amplifier
- AS failure signal

1. Figure 4
2. P.C. board A
3. P.C. board B
4. P.C. board C
5. P.C. board D
6. P.C. board E
7. signal circuit

Tabelle 4 Maschinenumformer und Wechselrichter								
(1)	Typ	(2) Speise- spannung in V	(3) Ausgangs- spannung in V	(4) Frequenz in Hz	(5) Leistung in VA	(6) Wirkungs- grad	(7) Masse in kg	
(8)	Maschinen- umformer	PT 125C	28,5	3 × 36	400	125	0,35	6
		PT 500C	28,5	3 × 36	400	500	0,4	15
		PO 750A	28,5	1 × 115	400	750	0,45	15
		PO 1500WT 3J	28,5	1 × 115	400	1500	0,45	30
		PTO 1000/1500	28,5	3 × 36/ 1 × 115	400	1000/1500	0,43	40
(9)	Wechselrichter	POS 1000	28,5	1 × 115	400	1000	0,73	21
		PTS 800	28,5	3 × 36	400	800	0,7	19
		LUN 2457-8	28,5	1 × 115	400	800	0,55	18
		LUN 2456.1-8	28,5	3 × 36	400	50	0,4	4

Table 4 Motor Transformers and d.c.-a.c. Converters

1. model
2. supply voltage in V
3. output voltage in V
4. frequency in Hz
5. power in VA
6. efficiency
7. mass in kg
8. motor transformer
9. d.c.-a.c. converter

BIBLIOGRAPHY

- [1] B. V. Kuprin, K. A. Runov, Yu. M. Sinbeyev "Power Systems in Aircraft". Moscow 1975.
- [2] Yu. M. Sinbeyev "Aircraft Power Supply". Moscow 1982.
- [3] N. T. Korobin "Aircraft Power Supply". Moscow 1975.
- [4] D. E. Bruskin "Fundamentals of Aircraft Power Supply". Moscow 1978.
- [5] Technical Description. SGK 30/1.5.
- [6] Technical Description LUN 2456.1-8.
- [7] W. Pogroszelski, "Structure and Mechansims of d.c.-a.c. Converters in Aircraft Equipment" in MILITAERTECHNIK, V. 2/1981, pp. 90-91.

12831
CSO: 2300/342

HUNGARY

JAMAICA YOUTH CONGRESS ATTACKED FOR EXCLUDING SOCIALIST LANDS

Budapest MAGYAR IFJUSAG in Hungarian 8 Mar 85 p 8

[Article by V.V.: "Conjuration in Jamaica"]

[Text] While youth organizations of the world holding varying political and ideological views but willing to cooperate in the interest of peace and disarmament are preparing for the World Youth and Student Conference, another type of meeting is organized in April at the instigation of U.S. ruling circles and with the significant political and monetary support of several leading capitalist countries. This was reported last week by Valid Maszri, the president of the Democratic Youth World Alliance and Donald Nelson, one of the leaders of the Jamaican National People's Party. As is commonly known, the UN proclaimed 1985 to be the International Year of Youth, under the motto "Participation, Progress, Peace." Young people expect the organized events of this year to contribute to solving the burning questions of our times. These include disarmament, elimination of nuclear peril, ending racial discrimination and oppression, guaranteeing the rights of the youth, and creating a peaceful, creative existence. The progressive youth of the world have been struggling together for these goals for a long time. However, this is not the first time in history that, at American instigation, attempts are being made to break up this cooperation. In the final analysis, this is the aim of the Jamaican Festival, too.

According to the plan of the organizers, "the representatives of democratic youth organizations and movements from the free Western world will discuss their shared tasks." At the same time, the organizers will also decide which countries can and which cannot, in their opinion, be called democratic. In this way, countries such as El Salvador, South Korea, Israel and Grenada ended up among the democracies, but not the socialist countries, or Nicaragua, Tanzania, or Algeria. In fact, the representatives of the most conservative youth trends are expected to be present in Jamaica.

The committee organizing the Jamaican meeting is largely composed of government officials. In order to obtain international support for the event, a so-called "international secretariat" was formed, in which right-wing Christian democratic and conservative personalities were given posts.

The overwhelming majority of Jamaican youth organizations labeled preparations for the even as anti-democratic, and they are not supporting the festival. Some of them issued calls for a boycott.

During the press conference of the Democratic Youth World Alliance it was also stated that the location itself negatively influences the credibility of the event. After all, a country with 154,000 unemployed youth, where, during January of this year, several people demonstrating in protest against the government's economic policies fell victim to the violent measures of the authorities, cannot be considered the ideal host to a genuinely democratic event, neither as a flourishing economy, nor as a flourishing democracy.

According to the plan of the organizers, in Jamaica the "foundations of a new world-wide youth organization" will be created. In its recently publicized declaration, the Democratic World Youth Alliance emphasized that it will oppose any attempt to disrupt the cooperation between youth organizations belonging to different political and philosophical trends, and to revive the spirit of opposition reminiscent of the cold war period. The Alliance and the International Union of Socialist Youth, a member of the Socialist International, agreed to take joint steps to reveal the real political aims of the Jamaican meeting.

Other representative international and regional youth organizations, speaking on behalf of large masses, such as the International Student Association, the Pan-African Youth Movement, the Pan-Arabic Youth Alliance and the Continental Alliance of Latin American Students also condemned the event in Jamaica, and it appears that the International Alliance of Liberal and Radical Youth will not participate in it, either.

12588

CSO: 2500/323

HUNGARY

POPULATION GROWTH: PROBLEM, SOLUTIONS

Kecskemet FORRAS in Hungarian Feb 85 pp 86-91

[Editorial Comments by Csaba Varga: "When Can the Decrease in Population Be Halted?"]

[Text] I am neither a demographer nor a statistician, and thus I do not approach the topic as a well-informed expert. I would simply like to know how our country's population will change by the year 2000 or 2020. The change in this case is a decrease. So I would like to have at least a generally clear picture, because often I perceive only fog--and more than once smoke screens. I do not deny that I have just one child so far, but I do not believe that a person can be concerned about the population decrease only if he already has three or four children. There is no reason whatsoever to call into question curiosity about the foreseeable future.

I looked into the likely decrease in the population figure because I have heard of very little clear information about it before the public up until now. The experts are finally putting it into words: there will be approximately half a million fewer of us in the year 2000. And this is still an optimistic expectation. But many persons--almost dutifully--also state that there is the chance for a new increase before or after the year 2000. They forget to advance proof for the probability, however. It is impossible to dispute a fluttering, elusive statement.

Let us look first at the basic facts. The "1982 Handbook of Population and Social Statistics" offers a lot of information. It is immediately revealed that the Hungarian population decreased by nearly 2,000 in 1981 and by nearly 11,000 in 1982. The handbook cannot report that the number of inhabitants in the country declined by 21,000 in 1983. There were only 10,679,000 of us at the start of 1984. The decrease during the 3 years is thus 34,000. It is as if a minor city suddenly vanished from the map.

These figures still do not indicate, of course, what role the trend in births and deaths played in the decline. It can be gathered from two other statistics that in 1981 there were nearly 6,000 fewer live births than in 1980, although the population decreased by only 2,000. If we look at the number of deaths in the same period, we can see surprisingly that "only" 600 fewer died. The situation is similar in the following year, 1982, as well. Compared with the

previous year, there were nearly 9,500 fewer live births, and at the same time once again not more but rather 439 fewer persons died. The conclusion we can draw from this is that the population decrease is not due primarily to a rapid rise in mortality; on the contrary, the much smaller number of children being born is the determining factor.

Many things can be predicted--or surmised at any rate--from the age composition trend of the population according to 5-year age groups. This shows, for example, that in 1983 there were still roughly 60,000 more women in the age groups 20-24 and 25-29--i.e., the "cohort" of women at the principal child-bearing age--than in 1960. But this very low number of live births--146,000--in 1960 is considerably larger than the number in 1983. This fact suggests that in itself the number of women of principal child-bearing age does not reveal everything about the likely trends. Another correlation is that the same number of women of child-bearing age are currently giving birth to a lot fewer children.

Let us look at another fact, likewise of no small interest. In 1980, in the age groups 1-4 and 5-9, there were 60,000 fewer females than in 1960. I repeat: only the female children decreased by this much. It then follows from this that in the year 2000 the considerably fewer women of child-bearing age will hardly give birth to more children, even if by chance the still tolerable birthrate of 1973-76 resumes to some degree. So is a population increase out of the question? What is the origin of the optimistic view that the population will stop decreasing after the year 2000?

Volume number 49 of the Demographic Research Institute appeared under the title "Hungary's Population 1980-2021." This demographic publication gives precomputations, and in several variations, moreover. According to the preface, the different variations were discussed with experts who took part in the preparation, and in concert with them the fifth variation was found to be the most likely and the most realistic. The authorized department of the Central Planning Board has officially proclaimed it the usable and acceptable planning variation.

What kind of trends does this 1979 precomputation "forecast"? As I mentioned, five variations were suggested and yet there are really only three variations, because variations 3 and 5 as well as variations 2 and 4 coincide. The first trend, which I regard as a rose-colored variation, judges that the number of people will be around 10.75 to 10.76 million in the year 2021. This is unequivocally an illusion since, already in 1983, the number of inhabitants in the country dropped below 10.7 million. The middle trend, i.e., the official variation--let us call it the green concept--hopes that by the year 2021 there will still be 10.4 million of us. Thus it "expects" a decline of 300,000 to 330,000 altogether. This green trend also reckons that there are still roughly 10.75 to 10.76 million of us in 1985. As we know, our country's population was almost 100,000 less than this in 1983.

According to the third, the black, variation, the population will be altogether 9.5 million by the year 2021. Thus a decrease (minimum or maximum?) of 1.2 million in 40 years. However, this black variation also reckons that there will still be at least 10.71 to 10.72 million of us in 1985. As we already know, we have decreased more rapidly than even the worst estimate! It can

therefore realistically be imagined--there is ample opportunity for it--that a superblack variation will prevail and there will be less than 9 million of us in the year 2021. And it may be that even this is an optimistic "prognosis."

But this is not the most frightening thing in the three trends; rather, all three variations "perceive" some kind of modest improvement, to be more precise, a milder dropoff between the years 2000 and 2010, and yet after this the three population trends fall precipitously. It can also be gathered from this that due to the 3-year-long, relatively tolerable birthrate of the mid-1970s a slight improvement is perhaps likely 20 to 25 years later, but what can come after that? The precomputations offer no hope of any kind. After all, in order for many more children to be born around the years 2010-2020, many more children must come into the world in the 1980s and 1990s. How much is this "many more"?

In order to maintain the population level, every 100 women must give birth to at least 230 children, but fecundity has not reached this level since the 1950s. That is to say, during 25 years there are roughly 850,000 fewer children than necessary to maintain the population level. This is the shortfall minimum. At the same time, we are even worse off than this because altogether not 200 children are born in every 100 families. We could thus compensate for the shortfall of nearly 1 million only if at least three to four children per family were born nowadays and if the deathrate continued to improve. How far are we from this optimum?

We can only respond with a concept from astronomy: probably light-years away.

I quoted earlier from this precomputation volume that nearly 149,000 children should have been born in 1982 according to the green trend. On the other hand, the reality was only 133,500, and according to the forecast we should have "arrived" at such a depth only in 1985, hence 3 years later.

And let there be no misunderstanding. It is not my intention to ridicule the demographers, though we would have been in the right. But I would like it if we looked straight in the eye at the truth that the population estimate made to the best of our knowledge is much more optimistic than the actual demographic situation of the last 5 years. And indeed it cannot be denied that we have fostered illusions. Since then, this "unforeseen" truth has radically reshaped these population trends--and this fundamentally influences and modifies the country's possible future.

A scientific congress was held in October of 1982 on the present and the future of fecundity, family planning and birth control. The Statistical Publishing House issued a book on it in 1984. The unsuspecting reader, who was not there at the congress, may assume that the situation and likely development of fecundity and mortality are thoroughly debated at such a professional forum.

This is what happened, too, in part. Peter Jozan, for example, stated in his lecture that at the beginning of the 1960s the birthrate was only about 13 per thousand, and 2 decades later, i.e., today, it is even lower, 11.9 per thousand in 1983. As early as the start of the 1960s, the Hungarian birthrate was the lowest in the entire world. Jozan does not deny that a value of roughly 10 per

thousand is conceivable in the second half of the 1980s, and yet he also adds a hopeful half-sentence: "The number of births will start to rise again, hopefully." After the second half of the 1980s. Why? There is no convincing explanation. In any case, Jozan concludes his lecture honestly in this way: today we are burning the candle at both ends in Hungary; low fecundity and high mortality are reducing the population.

On the strength of the volume's evidence, only the joint contribution of Gabor Kepecs and Istvan Monigl deals with what can be expected in the next few decades. However, they do not set forth facts or trends; they "only" emphasize society's role and responsibility. They do not conceal that our population situation is an uninfluenceable given in the next decade or two, but they also expect a positive change starting in the 1990s. Provided, of course, that an active population growth policy prevails on the basis of a broader concept than before. It is not known what they mean by this. The only thing which emerges is that they want to place an improvement in mortality at the center. But there is no concept or strategy anywhere, aside from the fact that a demand for one is heard. So here is where we find ourselves?

Politician Andras Knopp gave a summary of the congress. He also admitted that we cannot set a target for avoiding the population decrease. According to him, the task is to prepare an action program for the existing long-range population policy strategy. He does not state what this could or might be. But on the basis of necessary and unavoidable actions he has faith in the immediate future and the turn of the millennium when we can lay the foundation for a "population growth situation more favorable than the present one." If we interpret the statement literally, he is claiming that by the turn of the millennium we can only lay the foundation for a later population growth situation more favorable than the present one. Whether there is any possibility or guarantee whatsoever for this, we cannot find out either from the material of the congress or from the summary of the politician.

In my judgment, this more beautiful future of population growth after the turn of the millennium is at least partly an illusion or, more subtly expressed, a pipe dream.

Perhaps the best and clearest publication on population growth so far appeared in 1982. Its title is "Population and Population Growth." This is no more than the second issue of pamphlets on the living standard by the Central Statistical Office.

I quote: "How the population will develop in the next 10 to 20 years is /in large measure/ [passage enclosed in slantlines printed in italics] determined by the numbers in the young female age classes. (The italics are mine, Cs. V.) Since those age classes which were born during the low point of births after 1960 are now entering their twenties, this number will develop unfavorably: the number of women 20 to 29 years of age, from whom 70 to 72 percent of all newborns have derived in recent years, will decline severely. Their number peaked at 970,000 in 1977; since then, however, it has gradually decreased, and it will be altogether 650,000 at the end of the 1980s. A small and temporary increase in their number is likely only during the 1990s, an increase brought about by

the fact that the generations born in the wave between 1974 and 1978 will be turning twenty-one. Thereafter, there will again be fewer of them." The number of people at the turn of the millennium does not depend only on the number of females in the young age classes. But it is in large measure an influential factor.

It is evident from all this that the somewhat larger number of young women born in the 1970s will mean only a temporary and slight increase. We cannot build our end-of-the-century hopes on it. Moreover, the number of women of child-bearing age will again decrease after this, since fewer than ever before will be born in the 1980s. We can thus have faith only in a radical stepup in fecundity or a rapid slowdown in mortality. But can we?

Before I answer the question, I will quote from another chart about development of the population's age composition. Let us look at the 1948 data, before the Ratko period. According to it, there were 1,267,000 females in the 14-29 age class at that time; on the other hand, in 1980, there were just 1,073,000 females in the 0-13 age class (who will give birth at the turn of the millennium, and the "wave crest" of the 1970s is also in this figure). The difference is 200,000, i.e., 17 percent. If we compare the 1949 data with the 1970 facts, then this difference is 300,000, i.e., 24 percent. So what do we have faith in?

A brief word about fecundity. This publication states the number of births per 1,000 women. In the age classes 20-24 and 25-29 this was altogether 3,007 in the years 1948-49, while it was 2,586 all told in the same two age classes in the year 1980. A woman gave birth to $2\frac{1}{2}$ children on the average. The decrease here, too, is roughly 17 percent. But for that matter: "The fecundity of those 25-29 is only 72-73 percent, that of those 30-34 less than half, that of those 35-39 one-fourth of what it was 3 decades earlier." Thus the fecundity trend is declining just as much as the number of young women of child-bearing age.

Well, after this can we only have hope in an "improvement" in the number of deaths?

Here, too, I quote: "As a result of the population's current and future age distribution, the number of deaths will rise by the turn of the millennium if the mortality rate of the second half of the 1970s becomes stable. An improvement in the mortality rate can be achieved by the development of prophylaxis and nursing and through a more wholesome lifestyle. Since three-fourths of those who now die in Hungary are elderly persons, a reduction in the mortality rate cannot be hoped for without the development and cooperation of geriatrics." There is scarcely a genuine chance for this because in the next few decades, for example, the lifestyle will not be more wholesome, presumably. If, luckily for us, large numbers of elderly persons succeed in living longer, the number of inhabitants would still not truly increase. We would only become an increasingly senescent society, so the extent of the decline would emerge later and later. Naturally, I do not mean to say that we should not do everything possible to improve the mortality rate of the middle-aged and the elderly. But in itself this does not offer a solution.

So virtually nothing argues in favor of confidence in the turn of the millennium. Moreover, our possibility and our probability for truly improving these demographic processes are rather slim. It is also necessary for us, somehow or other, to lay the foundation for a brighter demographic future on the turn of the millennium.

We can still believe in miracles, maybe in unexpected developments. But can the irrational factors in any way alter the relentlessly rational processes?

Let us take a look at the newer official and semiofficial viewpoints which have entered circulation in the last year or two.

Hopes are heard once again that with the help of a multifactorial, active, permanent and integrated population growth policy a better family structure can be achieved by the end of the 1980s or start of the 1990s, a structure which--together with a substantial improvement in the mortality rate--makes it possible to stabilize the population figure by the turn of the millennium. It could happen that the families' actual number of children, alongside an improvement in fecundity and the mortality rate, would stabilize the Hungarian population around the turn of the millennium. Behold the great utopia! But every fact and forecast refutes this fantasy. It is enough for us to consider that the population's current decline is worse than the black trend.

Today no one denies that a population decrease by the turn of the millennium is unavoidable. Its quantity will be 450,000 to 600,000 persons. What does this figure mean in comparison with the worst, the black, trend? The black trend predicted that 10.38 to 10.39 million of us would be alive in the year 2000. If we subtract the likely decrease of 450,000 to 600,000 from the current number of inhabitants, then the turn-of-the-millennium population falls somewhere between 10.08 and 10.23 million. This, however, is none other than the superblack trend, in accordance with the worse or worst expectation. After such a rapid drop, how is it conceivable that the population decline will at least be brought to a halt or that our country's population will not be less than 10 million? On the basis of our current knowledge, it seems practically impossible.

Others believe in a second beautiful illusion. This one is to the effect that we can slow down the fluctuation in the number of births if, with the help of a "population policy which includes impulsive actions," we make the acquisition of a third child attractive today to the still large number in the 27-34 age class. In this case, perhaps, the great difference between the current low point in births and the hoped-for peak of the mid-1990s would be smaller. After all, if this does not take place and generations very small in number continue to be born in the 1980s, then an increase in fecundity 20 to 30 years hence cannot bring about a satisfactory number of births.

In any event, our only authentic possibility would be if this 27-34 age class really accepts the third child. This will probably not occur, however, since the state's total material and moral support is necessary for it. If this age class would accept it at least in part, it is not certain--indeed, it is not probable--even then that the population figure can be stabilized around the

turn of the century. So I can say that we should not greatly pursue the illusion of hoped-for stability, though we should try to do everything possible in its interest. If, after all, we do not do it in vain.

The official standpoint is somewhat more optimistic than this. I say it again: if only they were right. The most recent assessment runs like this: "In order to improve the demographic situation, the Council of Ministers considers necessary state and social action which proves continuously effective in the long run and which makes it possible for the process of population decline to abate and come to a halt over the long haul, for the population to increase again and for the population's age composition to improve. The number of births must increase in the long run, and the mortality rate must be permanently reduced." (NEPSZABAD-SAG, 28 September 1984) It is not evident from the announcement how many decades are meant by "in the long run." The correct, careful wording makes it clear that the magnitude and danger of the demographic "problem" are recognized. Greater and lesser measures are being implemented: expansion of the child care allowance and child sickness benefits, the elaboration of more flexible labor forms for expectant mothers, etc. But we are still not at the point where we have a concrete and comprehensive demographic program which mobilizes the entire nation.

I have examined the development of the future population figure in accordance with only the three most important factors: the number of women of child-bearing age, fecundity, and the mortality rate. I have not analyzed the role of appreciable and yet secondary factors such as, for instance, the dwindling number of marriages, stabilization of the frequency of divorces, the number of abortions, infant mortality, etc. These factors, namely, cannot have a decisive impact on demographic trends; they can, of course, at best moderate the decline.

This article has not succeeded, presumably, in completely dispersing the fog and the smoke screens. I, too, have been left with doubts, and the obtainable information was not adequate. It must still be said that it was by no means proven that the population figure can be stabilized around the turn of the millennium. Statistics and trends alike seem to suggest the opposite of this. In order for anything to change substantially, we should size up the present situation and the probable future more realistically. And then stabilization of the population figure becomes a national task more important than all the business of society and the economy.

We could then mobilize all social, economic and moral forces so that some day at least we can stop the swift decline of the Hungarian population figure.

12327

CSO: 2500/296

POLAND

REACTIONS TO REAGAN'S BITBURG CEMETARY VISIT

Army Daily Editorial

LD191735 Warsaw PAP in English 1404 GMT 19 Apr 85

[Text] Warsaw, 19 Apr--"What Reagan is going to do in Bitburg, the FRG, is an attempt to destroy the political order in Europe by means of destroying the structure of moral values as seen by an ordinary man who can tell right from wrong, fault from punishment, and knows what forgiveness means," the Polish army daily ZOLNIERZ WOLNOSCI said today.

"We have a moral right to tell the man whose mouth is full of lofty ethical principles and who claims to be the defender of human rights that he betrays an important heritage of his own nation, then he also turns his back on his--not only on our--dead."

"The road to community, to brotherhood, to nations' equal rights--the latter principles so very much combated by Hitlerite racism--is not paved with gestures of shallow forgiveness and oblivion of the tragic past," the paper stressed.

ZOLNIERZ WOLNOSCI also says that indignation over Reagan's decision is being voiced by people from all Poland's millieux, and quotes war veterans speaking on the subject in another article, headlined "President Reagan's Shameful Decision."

Said one war veteran: "Near Solec Kujawski I saw a German officer shooting Polish officers--prisoners of war--of the 'Pomorze Army.'" And it is not true that it was only SS-men who were murderers: Wehrmacht soldiers in no way yielded to those in their criminal activity."

Another veteran described the Reagan plan as "not only an offence against the memory of those killed and murdered, but also a political provocation, a blow to efforts aimed at stabilization and normalization of international relations."

The Polish Government daily RZECZPOSPOLITA says that it receives letters from readers indignant at President Reagan's decision and carries utterances given

to its journalists. A retired colonel Marian Golwala, chairman of the Central Board of the Blind People's Cooperatives Union said:

"Reagan's decision is a contradiction of what the U.S. President so frequently refers to. Human rights, that is. During the war we were fighting for their preservation, for they were violated by those whom Ronald Reagan wants to honour at the Bitburg Cemetery."

PAP Commentary

LD231206 Warsaw PAP in English 1100 GMT 23 Apr 85

["Why Did U.S. President Decide to Honour Wehrmacht Soldiers--(by PAP commentator)"]--TANJUG headline]

[Text] Warsaw, 22 Apr--Ronald Reagan's disgrace is complete, and the disgust in the world is common and unceasing.

Why did the U.S. President decide to pay homage to Nazi soldiers? It does not seem he has taken such a decision either for humanitarian motives or just to visualize friendship between the U.S. and the FRG.

A gesture at the cemetery is necessary due to completely different reasons, and (?not) so much for the U.S. as for the FRG: For years intensive work has been under way in the FRG on the far-reaching revision of the whole of questions connected with the Third Reich. Those who criticize these trends call them historical revisionism. Kohl desires that President Reagan should set his hand to revisionism.

Bonn makes out a bill for its numerous services and Washington pays with the kind of money demanded by Kohl. As the chancellor himself admitted, it was he who invented Reagan's visit to the cemetery of Wehrmacht soldiers (where there are also graves of SS soldiers).

Bonn tells Washington to pay a growing price in return for the well-earned opinion of the most perfect and the most loyal ally of the U.S.

It was mainly the FRG's assistance which forced the installation of Pershing missiles in Western Europe. It was mainly the FRG endeavours which disposed more favourably to nuclear missiles restive and smaller NATO partners. [sentence as received] In face of reservations voiced by the French and the English, it is outer space armaments for which the U.S. needs the FRG assistance more badly than for the issue of Pershing missiles.

It is not incidental that it is the FRG, as the first advocate of the U.S. arms strategy in Western Europe as well as of the U.S. interests in general, which Washington consults most often and as the first one on all the most significant decisions.

Warsaw Ghetto Leader Comments

AU241737 Paris AFP in English 1726 GMT 24 Apr 85

[Text] Warsaw, 24 Apr (AFP)--A former leader and one of the few survivors of Warsaw's Jewish ghetto which was virtually wiped out by the Nazis has denounced U.S. President Ronald Reagan's planned visit to the Bitburg Military Cemetery in West Germany.

In a letter released to the Western press here today, Marek Edelman expressed "great sadness" at Mr Reagan's scheduled visit to the cemetery, where members of Hitler's notorious SS troops are buried.

Mr Reagan's Bitburg visit will be "not an act of reconciliation, but of encouragement to all cruel and rebellious forces who want to dominate the world," Mr Edelman wrote.

He said he had come face to face with the SS, "who, in the name of utterly insane ideas, annihilated thousands of innocent people: old people, women and children--entire nations."

Now a renowned heart specialist in Poland, the former ghetto resistance leader was also a member of the now-banned Solidarity Trade Union and was interned after the proclamation of martial law here in 1981.

Mr Edelman's letter is the first independent protest about the visit from Poland, where it has brought daily criticism from the official press.

CSO: 2020/115

POLAND

SCIENTISTS PREDICT 'CATASTROPHE,' URGE RADICAL CHANGES

PM261332 Paris LE FIGARO in French 25 Apr 85 p 3

[Bernard Margueritte dispatch: "Poland Facing a Catastrophic Future?"]

[Text] Warsaw--"We as a nation are on the brink of a generalized national catastrophe." This is not my statement but one made in the note which has just reached me, a note summarizing the discussion held by 16 of Poland's most eminent intellectuals, members of the presidium of the futures committee of the Academy of Sciences, which is named "Poland 2000."

Under the chairmanship of Professor Markiewicz, who is one of the leaders of the highly official "Patriotic Movement for National Renewal" and who, as chairman of the "Poland 2000" committee, signed this 12-page document, 15 of Poland's leading academics took part in the discussion of the report entitled "Polish society in the transition between the 20th and 21st centuries." This report very boldly exposes the ills affecting the Polish nation. However, its authors add, with telling bitterness, "new attempts to improve the document strike us as neither appropriate nor possible at the present stage."

"Talking (as the government does) of overcoming the crisis," the representatives of the Academy of Sciences state, "is only possible if we add that we are entering a new phase, the phase of catastrophe." Indeed problems are everywhere: "The aggravation of the housing crisis, the ecological crisis, the increase in dangers to health, and the increase in social inequalities." "There is no possibility of all the inadequacies of the economic and social situation in which we find ourselves being overcome by the end of the century."

Changing Socialism

What is all this about? The members of the "Poland 2000" committee mention a few examples: There are 1 million disabled people in the country; life expectancy is falling; in the coming years "infant mortality will be on the increase." In addition there is a severe water shortage and the available water is polluted, one-third of land is contaminated, there is air pollution, and disease is spreading.

The economic reform is increasing the concentration of industry, which is leading to a fundamental limitation of the quality of life: "We are heading for

catastrophe and not for a moderate and selective extension of the process of environmental deterioration."

With regard to the technological and economic level "the gap between Poland and the most advanced countries in the world is widening." However, Poland remains faithful to the industrial and investment structures of the seventies which, emphasizing the sectors which require most energy and raw material resources, have helped lead the country into its present situation. It is true, the authors admit, that this policy has an "imposed" character. By whom? By the heavy industry lobbies? Probably. But perhaps even more by the yoke of planning within CEMA. It is, therefore, increasingly difficult for Poland to take protection measures "in an autonomous way" "In view of the Polish economy's growing dependence and the constraints resulting from its CEMA membership," the report states.

Indeed, the report's authors admit, the problems which Poland is experiencing and will experience will be "the problems the central decision-making system will have in making the necessary choices in the next few years." That is why "the only chance of development and of breaking the deadlock on the threshold of the catastrophe facing us" should be, according to the Academy of Sciences officials, to look elsewhere: to look at "changes in awareness and social motivation thanks to active acceptance." However, the country is apathetic, motivation to work nonexistent, and it is not by offering the population "the prospect of returning to the 1978 situation by 1995" that they are likely to become enthusiastic. The members of the "Poland 2000" committee have no hesitation in replying: "There must be far-reaching changes in socialism, changes which will then set the nation's internal forces in motion." Participation in management must be increased and forms of self-management development, there is no other solution.

CSO: 3619/70

POLAND

BRIEFS

EDUCATIONAL PROGRAM WITH TURKEY--A 3-year program of cultural and educational cooperation between the Government of the Polish People's Republic and the Government of the Republic of Turkey for 1985-87 has been signed at the Foreign Ministry. It provides for continued cooperation in the areas of study and education and gives specific form to the development of cultural exchanges. [Text] [Warsaw Domestic Service in Polish 1500 GMT 24 Apr 85 LD]

SWEDISH CONSTRUCTION TALKS--Several days of talks between the Ministries of Construction of Poland and Sweden have ended with the signing of a joint document on cooperation in construction and the production of construction materials. A joint working group was set up to analyze the areas in which scientific and technical cooperation and trade contacts can be instituted. [Text] [Warsaw Domestic Service in Polish 2200 GMT 23 Apr 85 LD]

HIGHER PHONE RATES--As of Thursday we will pay approximately 10 percent more for telephone conversations, telegrams and radio-telegrams sent abroad. For example 1 minute of telephone conversation with the United States connected through international exchange will cost Z450 instead of Z410. The rise does not concern communication with socialist countries. [Text] [Warsaw Domestic Service in Polish 1400 GMT 23 Apr 85 LD]

TUNISIAN JUSTICE MINISTER VISIT--Ridha Ben Ali, minister of Justice of the Republic of Tunisia, visited Poland from 21 to 24 March at the invitation of PPR Justice Minister L. Domeradzki. An agreement between Poland and Tunisia on legal aid in civil and criminal cases was signed. [Excerpt] [Warsaw TRYBUNA LUDU in Polish 26 Mar 85 p 5 AU]

NEW OFFICIAL APPOINTED--The chairman of the Council of Ministers has appointed Professor Wieslaw Grudzewski undersecretary of state to the Office for Scientific-Technological Progress and Implementation. [Summary] [Warsaw TRYBUNA LUDU in Polish 30/31 Mar 85 p 7 AU]

NEW UNDERSECRETARY APPOINTED--On the recommendation of the minister of domestic trade and services, the chairman of the Council Ministers has appointed Stanislaw Bragiel to be undersecretary of state in this ministry. [Excerpt] [Warsaw TRYBUNA LUDU in Polish 26 Mar 85 p 2 AU]

SZCZECIN DRAGNET OPERATION--Last Thursday and Friday the latest campaign called "Aglomeracja" was conducted in Szczecin. Patrols composed of functionaires of the militia, ORMO (Voluntary Reserve of the Citizens Militia) members, soldiers and social activists inspected 627 sites or premises connected with trade, industry, services, bazaars and markets, as well as 1,600 vehicles. Attention was also focused on gathering places of criminal elements and illegal vodka-venking and drinking dens. Sixty-three offenses were uncovered, including 50 criminal and 13 economic ones, as well as 5 cases of illegal trade in alcohol and 11 illegal stills. One hundred-twenty perpetrators of offenses were caught, 15 red-handed. Also apprehended were 73 intoxicated persons, of whom 26 were behind the wheel of a vehicle. As a result of the operation, 24 preparatory proceedings were initiated, and as many as 118 motions were submitted to the misdemeanor courts. Goods amassed for purposes of profiteering totaling Z295,000 were confiscated, while property valued at almost Z3,000,000 was taken and applied to fines and the costs of proceedings. [Text] [Szczecin Domestic Service in Polish 1515 GMT 22 Apr 85 LD]

CHURCH ROLE IN WESTERN TERRITORY--In Koszalin today, on the initiative of the voivodship Council of the Patriotic Movement for National Rebirth, scientific seminar took place devoted to the contribution of the Church to the development and integration of the western and northern lands. Participants of the seminar familiarized themselves with the (?activities) of the Church in the western coastal region and with the beginnings of church administration on these lands after the Second World War. They also listened to lectures about the church in the western coastal region in the years 1952-72, the role of Primate Cardinal Stefan Wyszynski in the creation of permanent church structures in the western and northern lands, and the church and the native population. [Text] [Koszalin Domestic Service in Polish 1505 GMT 24 Apr 85 LD]

RAKOWSKI AT ZSMP MEETING--During the course of the deliberations of the Fourth Congress of the Union of Socialist Polish Youth [ZSMP], Deputy Premier Mieczyslaw Rakowski took the floor. Speaking about the achievements of the party and the government and about resolving many of the problems of young people he stressed that in accordance with the proposals made at the previous congress of the ZSMP, a Council of Ministers Committee for Youth Affairs was established and a minister for youth affairs was also appointed. The government, while implementing the policy of the party, attempts to meet all the most significant problems of the young generation of Poles. However, it is not up to the government but up to the work, commitment and attitudes of young people to achieve effects in the economic reform, development of socialist democracy and the continuing renewal of sociopolitical life. [Text] [Warsaw Domestic Service in Polish 1700 GMT 28 Apr 85 LD]

JARUZELSKI ADDRESSES ZSMP CONGRESS--The fourth congress of the ZSMP [Union of Socialist Youth] is over. Representatives of the supreme authorities, including Wojciech Jaruzelski, took part in the final part of the deliberations. Taking the floor, General Jaruzelski referred to the meeting of party and state leaders of the Warsaw Pact stressing the historic significance of the decisions taken a few days ago. The first secretary of the PZPR Central Committee gave the assurance that ZSMP cells will find strong support in the party. He wished all ZSMP members well and wished them success in work for the socialist fatherland. Closing the deliberations, Chairman of the ZSMP Main Board Jerzy

Szmajdzinski stressed that the organization is emerging from the fourth congress strengthened by its achievements and its program for the future. Young people are aware, Jerzy Szmajdzinski said, that they have a duty to make a permanent and active contribution to the development of the socialist homeland. Before the session ended, delegates approved further program document: an ideological declaration, a program resolution, and a stance on the implementation of economic reform. [Text] [Warsaw Domestic Service in Polish 1200 GMT 29 Apr 85 LD]

GDANSK DEFENSE COMMITTEE MEETING--Gdansk/Gdynia--The Gdansk Voivodship Defense Committee (WKO) met according to tradition, representatives of the biggest plants of the tri-city before May Day. Stanislaw Bejger, candidate Politburo member and first secretary of the PZPR Voivodship Committee participated in the meeting which was chaired by major General Mieczyslaw Cygan. The WKO familiarized itself with the organizational procedures of the Gdansk Voivodship May Day celebrations and the municipal services preparations, for providing efficient service to the citizens on that day. [Excerpt] [Warsaw PAP Maritime Press Service in Polish 1200 GMT 30 Apr 85 LD]

NEW VICE MINISTER--The chairman of the Council of Ministers has appointed Engineer Kazimierz Czarniecki as undersecretary of state in the Ministry of Communications. K. Czarniecki was born in Czarnkow, Pila Voivodship, into an intelligentsia family in 1928. He graduated from Gdansk Polytechnical School in electrical engineering and teletransmission and worked in the Ministry of Communications for 34 years. Since 1954 he has worked in leading posts: Between 1954-64 he was director of the Szczecin Radio and Television Stations, between 1964-74 he was director of the Szczecin Postal Services and Telecommunications, and since 1974 he has been deputy director of the Lodz Postal Services and Telecommunications. He is a member of the PZPR. [Text] [Warsaw ZYCIE WARSZAWY in Polish 5-8 Apr 85 p 2 AU]

BEDNARSKI HAILS EDITORIAL TEAM--On the occasion of the 15th anniversary of IDEOLOGIA I POLITYKA, a monthly published by the PZPR Central Committee Ideological Department, Central Committee Secretary Henryk Bednarski received the monthly's editorial team and congratulated them on their activities. [Summary] [Warsaw ZYCIE WARSZAWY in Polish 5-8 Apr 85 p 2 AU]

BEDNARSKI AT IDEOLOGICAL SESSION--On 12 April PZPR Central Committee Secretary Henryk Bednarski attended the Central Committee session of voivodship party secretaries on ideological-propaganda issues, including the basic lines of party work in education and culture. [Summary] [Warsaw TRYBUNA LUDU in Polish 13-14 Apr 85 p 6 AU]

MICHALEK ON AGRICULTURAL TRADE--PZPR Central Committee Secretary Zbigniew Michalek met in Warsaw with officials of the Polish diplomatic missions in Bulgaria, the CSSR, the GDR, Hungary, and the USSR, who deal with agriculture and food, and discussed with them the basic tasks of Poland's further economic cooperation with CEMA countries. [Summary] [Warsaw ZYCIE WARSZAWY in Polish 5-8 Apr 85 p 2 AU]

SZALAJDA RECEIVED UK AMBASSADOR--On 4 April Vice Premier Zbigniew Szalajda received the ambassador of Great Britain, John Albert Leigh Morgan, and discussed with him issues of Polish-British economic cooperation and prospects for closer industrial cooperation. [Text] [Warsaw ZYCIE WARSZAWY in Polish 5-8 Apr 85 p 2 AU]

RAKOWSKI IN LOMZA--Vice Premier Mieczyslaw F. Rakowski attended the 10 April Lomza meeting of voivodas and 16 heads of local administration in northern, eastern and central Poland, to discuss socioeconomic tasks of state administrative bodies. [Summary] [Warsaw TRYBUNA LUDU in Polish 11 Apr 85 p 2 AU]

GRZYB, SIWAK CONSTRUCTION TALKS--PZPR Politburo Members Zofia Grzyb and Albin Siwak met on 10 April with the aktivs of the Radom construction enterprises to discuss the not-too-favorable results of Radom housing construction in the first quarter of this year, during which only 123 apartments out of 250 planned were completed. [Summary] [Warsaw TRYBUNA LUDU in Polish 11 Apr 85 p 2 AU]

SWIRGON MEETS YOUTH ACTIVISTS--PZPR Central Committee Secretary Waldemar Swirgon met on 10 April with chairmen of voivodship youth commissions and other youth activists, who attended the 10 April Warsaw seminar at the Center of Party Courses to discuss tasks posed by the Ninth Plenum resolution. [Summary] [Warsaw TRYBUNA LUDU in Polish 11 Apr 85 p 2 AU]

SWIRGON RECEIVES CULTURAL WORKERS--On 12 April Central Committee Secretary Waldemar Swirgon received participants of the Socialist Countries' Commission for Culture, Literature, and Art. Hans Koch, head of the SED Central Committee Social Science Academy Cultural Institute, who is chairman of the commission, reported on its work. [Summary] [Warsaw TRYBUNA LUDU in Polish 13-14 Apr 85 p 6 AU]

VISIT BY SWEDISH MINISTER--On 19 April, Deputy Premier Zbigniew Szalajda received Hans Gustafsson, Swedish building minister, who is visiting our country. The subject of the talks was economic and scientific-technical cooperation between the Polish Ministry of Construction and Construction Materials Industry and the Swedish Ministry of Construction and Construction Research Council. [Text] [Warsaw TRYBUNA LUDU in Polish 20/21 Apr 85 p 2 AU]

NEW UNDERSECRETARY APPOINTED--On the recommendation of the head of the office for Scientific-Technical Progress and Invention, the chairman of the Council of Ministers has appointed Dr Ryszard Pregiel undersecretary of state in this office. [Excerpts] [Warsaw TRYBUNA LUDU in Polish 16 Apr 85 p 2 AU]

PAP CHIEF VISITS PRC--Beijing, 19 Apr--President of the Polish press agency PAP, Janusz Roszkowski has paid a one-week visit to China at the invitation from Chinese press agency XINHUA. Roszkowski and Director General of XINHUA Mu Qing discussed issues concerning further cooperation between the two agencies. Janusz Roszkowski was received by Vice-Premier Li Peng. [Text] [Warsaw PAP in English 1409 GMT 19 Apr 85 LD]

YUGOSLAVIA

SAWPY'S ROZIC CONCLUDES TALKS IN FINLAND

AU301210 Belgrade TANJUG in English 0845 GMT 26 Apr 85

[Text] Helsinki, 26 April (TANJUG)--Relations between Yugoslavia and Finland are characterized by openness and mutual interest in their further promotion, especially in the economic field. The two countries' parliaments give a significant contribution to the deepening of bilateral ties.

This was noted during talks held here by president of the Yugoslav Socialist Alliance Marjan Rozic, who is currently visiting Finland, and speaker of the Finnish Eduskunta (Parliament) Erkki Pystynen.

Nonaligned Yugoslavia and neutral Finland will continue investing efforts for promoting their cooperation and activities on the international scene, thereby contributing to the strengthening of confidence and cooperation among peoples and countries, and to the preservation of world peace.

In this context, it was stressed during the talks, the two countries attach special importance to the marking of two important anniversaries--the 10th anniversary of the Conference on Security and Cooperation in Europe and the 40th anniversary of the United Nations.

Rozic had talks also with Secretary of the Finnish Social Democratic Party Erkki Liikanen and Peter Stenlund, secretary of the Swedish People's Party which represents the interests of the Swedish-speaking minority in Finland.

CSO: 2800/303

YUGOSLAVIA

TANJUG CRITICIZES BULGARIAN BOOK ON 'REAL SOCIALISM'

LD261103 Belgrade TANJUG in English 1016 GMT 26 Apr 85

[TANJUG Headline: "Bulgarian 'Lessons' in Socialism"--by Sava Mijalkovice]

[Text] Sofia, 26 April (TANJUG)--Bulgarian Communist Party Central Committee Secretary Stojan Mikhailov is trying to teach genuine socialism to almost all communist parties in the world, including the parties of the countries of real socialism, barring the Bulgarian and Soviet parties.

In a book entitled "Comparisons," whose promotion here has been hailed as a first-rate event, Mikhailov first reproaches "certain communist parties in capitalist countries for setting off along the road of social-democracy under the slogan of Eurocommunism. These parties have disappointed Mikhailov not only for not defending "real socialism" against various attacks but also for criticising countries of the "socialist community."

The author criticises China and Albania over "manifestations of nationalism." However, his attack on "certain" members of the socialist camp for "restoring private property relations" and causing a serious blow to the prestige of socialism worldwide is almost equally severe. According to Mikhailov, this "blow" was dealt by the events in Hungary in 1956, Czechoslovakia in 1968 and Poland in 1970 and 1980. Of Stalinism, which contributed to these events, Mikhailov says nothing.

According to the author, the class consciousness of the working class in capitalist countries is "low." Workers in capitalist states will attain "essential ideological maturity" only after "real socialism" has surpassed developed capitalism in economic development, Mikhailov writes.

This, however, contradicts Mikhailov's assertion that "real and mature socialism in Bulgaria" has reached such a stage of development that Bulgaria could be compared with the most advanced countries in the world. What is more, the Bulgarian ideologue writes, Bulgaria is capable of practically drawing level with, and in some areas even surpassing, the "leading models in the world." A logical conclusion from this is that Bulgaria itself has become a model of real socialism to be copied and learnt from. Mikhailov's "comparisons" may have been conceived as the first textbook of this Bulgarian "high school."

16 May 1985

YUGOSLAVIA

MILITARY LEADERS VISIT PARADE PARTICIPANTS

LD271543 Belgrade TANJUG Domestic Service in Serbo-Croatian 1550 GMT 26 Apr 85

[Text] Belgrade 26 April (TANJUG)--Admiral of the Fleet Branko Mamula, federal secretary for national defense, accompanied by Col Gen Petar Gracanin, chief of the General Staff of the Yugoslav People's Army, and Lt Col Gen Zdravko Dimic, commander of the staff of the military parade, visited the military parade participants today.

During his visit to a teaching center for military training in Bujanj Potok near Belgrade, where the units of territorial defense are situated, Lt Col Gen Zdravko Dimic and his aides briefed the federal secretary on the organization and the course of the preparations, as well as on the living conditions of the parade participants. The federal secretary was also informed about the work of the LCY organizations and the organizations of the Federation of Socialist Youth of Yugoslavia, as well as about the cultural and entertainment life and cooperation between the young from the work organizations and school institutions of the capital. During the inspection of the territorial defense units, Admiral Branko Mamula attended their preparations for the forthcoming parade.

The federal secretary for national defense and other high-ranking military officials attended the training of motorized and mechanized units and their preparations for the parade.

During the preparations, which were attended by the federal secretary for national defense, the participants of the parade manifested a true enthusiasm and will to carry out this important task, organized on the occasion of the 40th anniversary of the liberation of the country and victory over fascism, with the greatest responsibility. Within the framework of this task special attention, Admiral Mamula stressed, should be devoted to [words indistinct], which on this, as well as on other occasions, should be one of the most important tasks of the officers and teachers.

CSO: 2800/303

YUGOSLAVIA

DAILY ON KULIKOV ARTICLE 'EQUATING' SFRY STRUGGLE WITH OTHERS

AU241506 [Editorial Report] Belgrade POLITIKA in Serbo-Croatian on 19 April on page 2 carries a 1,500-word report from Moscow by its permanent correspondent Dusan Pesic on an article by Marshal Kukikov carried by the Soviet journal OBSHCHESTVENNIYE NAUKI and on a newly-published book of documents entitled "The Liberation Mission of the Soviet Armed Forces in Europe in World War II," two among "an increasing number of publications, books, films, and articles about the war, the exceptional contribution and role of the Soviet Army, old and new alliances."

Pesic further notes that "The Yugoslav reader, who has always harbored a deep respect for the huge sacrifices of the Soviet people and their huge contribution to joint victory, when reading these texts (and the same goes for last week's articles in NAUCHNIY KOMMUNIZM that were similar in approach) cannot free himself from the impression that a number of Soviet authors persistently avoid presenting in the full light of proven historical facts the real contribution made by Yugoslav struggle and revolution in the victory over fascism. In fact, this struggle is being recognized in small doses, but with a noticeable and, unfortunately, systematic effort to equalize it with other resistance movements which thereby gain in significance. It is being reduced to the level of the contribution of some countries (such as Bulgaria, for instance) that were on the enemy side until the very end of the war. Just as in mathematics, in history also one cannot equate unequal values. Therefore, these attempts are casting a shadow on the entire war efforts of all fighters against fascism and are marring the mood prior to the great joint festivity."

Pesic then gives two quotations from Kulikov's article on the Soviet Union's participation in reorganizing and arming the Bulgarian, Yugoslav, and Albanian armies and on the number of members of resistance movements in occupied Europe, including the "partisan movement" in Yugoslavia. About the first quotation, Pesic says that "everyone knows that the Bulgarian Army was Hitler's ally until the end of 1944, and therefore probably needed a thorough reorganization, not to say a 'purge.' But how can one identify that army with our nation's liberation army," and "why would an army such as ours need someone from outside to reorganize it near the very end of war?"

Further on in his report, Pesic quotes from an article Boris Ponomarev wrote at the end of 1942 for the journal KOMMUNISTICHESKIY INTERNATSIONAL on the Yugoslav example of "How One Can Wage a Successful Struggle Against a Foreign Occupier" in which he also states that "in the fall of 1941 'the partisan army

in Yugoslavia reached the number of 100,000 fighters," Pesic then asks how is it possible that "44 years after, the individual Soviet authors 'transfer' that army into resistance movements and throw it into the same basket with armies which didn't yet exist then" and adds that one can notice that "this historically correct text does not at all mention some countries (whose merits are much mentioned nowadays) not even as potential candidates for an attack against fascism."

Near the end of his report, speaking about the book of documents on the liberation mission of the Soviet Army, Pesic first cites an inconsistency in the book which on one page claims that Tito asked Soviet troops to come to Yugoslav territory and on another cites a TASS announcement on the Soviet Command asking "permission to temporarily cross into Yugoslav territory." He then quotes the introductory part of the chapter devoted to Yugoslavia as saying "that Soviet troops 'carried out the Belgrade operation together with units of the National Liberation Army of Yugoslavia and the Bulgarian People's Army....' This is really too much: to give the reader an impression that those were two equal armies--Yugoslav and Bulgarian ones--with the same contribution in the liberation of Belgrade.

"There are many other such comparisons in the book and there is no point citing them all, because the essence is in the persistent reiteration of a stand and approach founded on an incorrect and erroneously placed equals sign, which is untenable," concludes Pesci.

CSO: 2800/303

YUGOSLAVIA

BRIEFS

BOSNIA-HERCEGOVINA PARTY CANDIDATE--Sarajevo, 22 April (TANJUG)--At its session in Sarajevo today the Central Committee of the LC of Bosnia and Hercegovina decided that Mato Andric be the candidate again for the office of the president of the Central Committee of the Bosnia and Hercegovina LC during the ensuing 1-year mandate. [Excerpts] [Belgrade TANJUG Domestic Service in Serbo-Croatian 1426 GMT 22 Apr 85 LD]

DOCTORS, STOMATOLOGISTS TITLES--Belgrade, 24 April (TANJUG)--A law under which the title of doctor has been restored upon general practitioners and stomatologists after an interval of 20 years was adopted in the Yugoslav Republic of Serbia today. Instead of the current titles "general practitioner" and "dentist," the graduates from the faculties of medicine and stomatology are as of now authorized to put the title "Dr" in front of their names. Those who graduated after 1963, when this title was abolished, will have it returned upon request from the competent authorities. The decision relates only to the doctors and stomatologists who have graduated in Serbia, as this problem has not been uniformly regulated throughout the country. It is expected that a similar law will also be adopted in other Yugoslav republics and provinces. [Text] [Belgrade TANJUG in English 0153 GMT 24 Apr 85 LD]

NEW MACEDONIAN PRESIDENCY PRESIDENT--Skopje, 25 April (TANJUG)--At its session today, the Macedonia SR Presidency elected Vanco Apostolski to the post of president of the Macedonian SR Presidency. [Summary] [Belgrade TANJUG Domestic Service in Serbo-Croatian 1503 GMT 25 Apr 85 LD]

NEW MACEDONIAN ASSEMBLY PRESIDENT--Skopje, 25 April (TANJUG)--Delegates in all three chambers of the Macedonian Assembly today elected Stanko Mladenovski president of the Macedonian SR Assembly with a 1-year mandate. Vladimir Mitkov was elected president of the Macedonian Constitutional Court at the same session. As a result of the public condemnation of his involvement in the Feni case, Dr Ksente Bogoev was released from his post as a member of the republic's council. [Summary] [Belgrade TANJUG Domestic Service in Serbo-Croatian 1303 GMT 25 Apr 85 LD]

ZAGREB CITY ASSEMBLY PRESIDENT--Zagreb, 25 April (TANJUG)--At today's joint session of all three Zagreb City Assembly chambers, Tito Kostic was elected, by secret vote, now Zagreb City Assembly president. [Summary] [Belgrade TANJUG Domestic Service in Serbo-Croatian 1434 GMT 25 Apr 85 LD]

CROATIAN YOUTH FEDERATION PRESIDENT--Zagreb, 25 April (TANJUG)--At today's electoral session of the Republican Conference of the Federation of the Socialist Youth of Croatia, Vlado Matijasevic was elected president of the Republican Conference's Presidium of the Croatian Socialist Youth Federation. Dusko Radakovic was elected Presidium secretary. [Summary] [Belgrade TANJUG Domestic Service in Serbo-Croatian 1724 GMT 25 Apr 85 LD]

AIR FORCE PLANE CRASHES--Belgrade, 26 April (TANJUG)--An air force and air defense aircraft crashed into three residential houses in the village of Vrelo near Lipljan during a regular training flight. Yugoslav People's Army Captain Vito Grbic, and nine villagers lost their lives. Col Gen Petar Gracanin, chief of the Yugoslav People's Army General Staff; Col Gen Slobodan Alagic, commander of the air force and air defense; and Lt Col Gen Svetozar Oro, chief of the Federal Secretariat for National Defense Political Directorate, visited the accident site after the crash and expressed condolences to the families of those who died. Telegrams with condolences were also sent by Veselin Djuranovic, president of the SFRY Presidency; Ali Sukrija, president of the LCY Central Committee Presidium; and Admiral of the Fleet Branko Mamula, federal secretary for national defense. A commission of experts is determining the cause of the accident. [Text] [Belgrade TANJUG Domestic Service in Serbo-Croatian 1605 GMT 26 Apr 85 LD]

KOSOVO LC PRESIDENT--Pristina 29 April (TANJUG)--At its session today, the Kosovo LC Provincial Committee elected Kolj Siroka, provincial Committee Presidium member, that forum's new president. [Excerpt] [Belgrade TANJUG Domestic Service in Serbo-Croatian 1411 GMT 29 Apr 85 LD]

CSO: 2800/303

END