



AFCTN Test Report 93-025

AFCTB-ID
92-001



Technical Publication Transfer Test

Using:

Alliant Techsystems, Inc. Data

MIL-M-28001A (SGML)
MIL-D-28003 (CGM)

Quick Short Test Report

DISTRIBUTION STATEMENT A
Approved for public release
Distribution Unlimited

09 September 1992

19960822 194

Prepared for
Electronic Systems Center

DTIC QUALITY INSPECTED 3



Technical Publication Transfer Test

Using:

Alliant Techsystems Inc Data

MIL-M-28001A (SGML)

MIL-D-28003 (CGM)

Quick Short Test Report

9 January 1992

Prepared By
Air Force CALS Test Bed
Wright-Patterson AFB, OH 45433

AFCTB Contact
Gary Lammers
(513) 257-3085

AFCTN Contact
Mel Lammers
(513) 257-3085

DTIC QUALITY INSPECTED 8

DISCLAIMER

This document was prepared as an account of the work sponsored by the Air Force. Neither the United States Government, the Air Force, nor any of their employees, makes any warranty, express or implied, or assumes any legal liability or responsibility for the accuracy, completeness, or usefulness of any information, apparatus, product, or process disclosed, nor represents that its use would not infringe on privately owned rights. Reference herein to any specific commercial products, process, or service by trade name, trademark, manufacturer, or otherwise, does not necessarily constitute or imply its endorsement, recommendation, or favoring by the United States Government or the Air Force. The views and opinions of authors expressed herein do not necessarily state or reflect those of the United States Government or the Air Force, and shall not be used for advertising or product endorsement purposes.

Available to the public from the
National Technical Information Service
U. S. Department of Commerce
5285 Port Royal Road
Springfield, VA 22161

This report and those involved in its preparation do not endorse any product, process, or company stated herein. Use of these means by anyone does not imply certification by the Air Force CALS Test Network (AFCTN).

Contents

1.	Introduction.....	1
1.1.	Background.....	1
1.2.	Purpose.....	2
2.	Test Parameters.....	3
3.	1840A Analysis.....	5
3.1.	External Packaging.....	5
3.2.	Transmission Envelope.....	5
3.2.1.	Tape Formats.....	5
3.2.2.	Declaration and Header Fields.....	6
4.	IGES Analysis.....	6
5.	SGML Analysis.....	6
6.	Raster Analysis.....	8
7.	CGM Analysis.....	8
8.	Conclusions and Recommendations.....	10
9.	Appendix A - Tapetool Report Logs.....	11
9.1.	Tape Catalog.....	11
9.2.	Tape Evaluation Log.....	12
9.3.	Tape File Set Validation Log.....	19
10.	Appendix B - SGML Parser Logs.....	22
10.1.	XGML Parser Log.....	22
11.	Appendix C - CGM Logs.....	25
11.1.	D001C001.....	25

11.1.1.	D001C001 - MetaCHECK Parser Log.....	25
11.2.	D001C001 - CGM-View.....	29
11.3.	D001C001 - Harvard Graphics.....	30
11.4.	D001C002.....	31
11.4.1.	D001C002 - MetaChek Parser Log.....	31
11.5.	D001C002 - CGM-View.....	33
11.6.	D001C002 - Harvard Graphics.....	34

1. Introduction

1.1 Background

The Department of Defense (DoD) Air Force Continuous Acquisition and Life-Cycle support (CALs) Test Network (AFCTN) is conducting tests of the military standard for the Automated Interchange of Technical Information, MIL-STD-1840A, and its companion suite of military specifications. The AFCTN is a DoD sponsored confederation of voluntary participants from industry and government managed by the Electronic Systems Center (ESC).

The primary objective of the AFCTN is to evaluate the effectiveness of the CALs standards for technical data interchange and to demonstrate the technical capabilities and operational suitability of those standards. Two general categories of tests are performed to evaluate the standards; formal and informal.

Formal tests are large and comprehensive, which follow a written test plan, require specific authorization from the DoD, and may take months to prepare, executed, and report.

informal test are quick and short, used by the AFCTN technical staff, to broaden the testing base. They include representative samples of the many systems and applications used by AFCTN participants. They also allow the AFCTN staff to gain feedback from many industry and government interpretations of the standards, to increase the base of participation in the CALs initiative, and respond to the many requests for help that come from participants. Participants take part voluntarily, benefit by receiving an evaluation of their latest implementation (interpretation) of the standards, interact with the AFCTN technical staff, gain experience using the standards, and develop increased confidence in them. The results of informal tests are reported in Quick Short Test Reports (QSTRs) that briefly summarize the standard(s) tested, the hardware and software used, the nature of the test, and the results.

1.2 Purpose

The purpose of the informal test, reported in this QSTR, was to analyze Alliant Techsystems Inc's interpretation and use of the CALS standards, in transferring technical publication data. Alliant Techsystems used its CALS Technical Data Interchange System to produce data, in accordance with the standards, and delivered it to the AFCTN technical staff on a 9-track magnetic tape.

2. Test Parameters

Test Plan: AFCTB 92-001

Date of Evaluation: 9 January 1992

Evaluator: George Elwood
Air Force CALS Test Bed
HQ ESC/ENCP
4027 Colonel Glenn Hwy
Suite 200
Dayton OH 45432-1672

Data Originator: Alliant Techsystems Inc
Frank Radichel
5901 Lincoln Drive
Edina, MN 55436

Data Description: Technical Manual Test
1 Document Declaration file
1 Document Type Definitions (DTD)
1 Text file
2 Computer Graphics Metafile (CGM) file

Data Source Systems:

Text/Standard Generalized Markup Language (SGML)

HARDWARE

PC
HP/Apollo
VAX

SOFTWARE

Avalanche FASTTAG

CGM

HARDWARE

HP/Apollo
VAX

SOFTWARE

Interleaf

**Evaluation
Tools Used:**

MIL-STD-1840A (TAPE)

SUN 3/280

AFCTN Tapetool v1.2.8 UNIX
AGFA Compugraphics CALS v40.4

MIL-M-28001 (SGML)

Cheetah Gold 486

Exoterica XGML Normalizer v1.2e3.2

MIL-D-28003 (CGM)

Sun 3/60

Advanced Technology Center
(ATC) CGM-View R2.0

AGFA Compugraphics cgm2ps

Cheetah Gold 486

ATC MetaVIEW R1.12

ATC MetaCHECK R1.15

Software Publishing Corporation

(SPC) Harvard Graphics v3.0

**Standards
Tested:**

MIL-STD-1840A

MIL-M-28001A

MIL-D-28003

3. 1840A Analysis

3.1 External Packaging

The tape arrived at the Air Force CALS Test Bed (AFCTB) enclosed in a box in accordance with ASTM D 3951. The exterior of the box was marked with the magnetic tape warning label, as required by MIL-STD-1840A, para. 5.3.1.3.

The tape was enclosed in a barrier bag as required by MIL-STD-1840A, para. 5.3.1.2. Inspection of the tape reel showed the label indicating the recording density, as required by MIL-STD-1840A, para. 5.3.1. A packing list, showing all files recorded on the tape, was not enclosed in the box as required by MIL-STD-1840A.

3.2 Transmission Envelope

The 9-track tape received by the AFCTB contained MIL-STD-1840A files. The files were named per the standard conventions.

3.2.1 Tape Formats

The 1840A tape was run through the AFCTN Tapetool v1.2.8 utility. Two warnings were encountered while evaluating the contents of the tape labels. Both warnings relate to the Text files, D001G001 (the DTD) and D001T001 (the SGML Text file). The reported warnings relate to the use of carriage control characters in the file. This type of error is generated when PC based software is used. These added characters did not present a problem during the evaluation in the AFCTB.

*** WARNING - This variable length record type file contained carriage control characters. Carriage control characters are used as record terminators and are interpreted differently among dissimilar systems.

The tape was read without a problem using AGFA's read1840A utility.

3.2.2 Declaration and Header Fields

Two errors and two notes were reported during the evaluation of the header files. These errors were reported on both of the CGM files. The errors were the use of 'NONE' for the source graph entry. This entry is normally used to identify the graphic file in the SGML document.

srcgph: NONE

- *** ERROR (MIL-STD-1840A; 5.1.4.5) - Invalid value for 'srcgph:'.
It cannot be 'NONE' for a Document with text.
- *** NOTE - The 'srcgph:' value for a graphic is the
cross-reference into the SGML Text File.

4. IGES Analysis

No Initial Graphics Exchange Specification (IGES) files were included on this tape.

5. SGML Analysis

When the DTD was parsed using Exotercia's *XGML Normalizer*, one error was reported. This error related to a partial entity reference in the DTD. The entity "shorttitleuse" without the rest of the definition. Immediately following this entity, is the entity "sect" which references "shorttitle", which has not been defined. Two lines were added to the DTD and it parsed without a problem. It was noted that the "shorttitle" entity was defined later in the DTD.

```
C:\XGML\XGMLNORM.EXE --
Error on line 15 in file entities/alliant.dtd:
Unable to expand entity reference.
The parameter entity 'shorttitle' is undefined.
<!-- The document prolog is in error. -->

<!ENTITY % shorttitleuse "include" >

<!-- *** The below two lines were added to parse -->
<![ %shorttitleuse; [ <!ENTITY % shorttitle ", shorttitle?" > ] ]>
```

```
<!ENTITY % shorttitle "" >
```

```
<!ENTITY % sect "(title %shorttitle;, index?, para0+)" >
```

When the Text file was initially parsed using Exoterica *XGML Normalizer*, 253 errors were reported. Many of these errors were the same; an effort was made to correct them.

The first set of errors to be corrected were the graphic calls. The DTD included on the tape, did not contain any entity reference to the included CGM files. These references were made along with adding the CGM notation reference in the DTD. Because there were only two CGM files referenced, only two external entities had to be added along with the notation. These added lines are shown below.

```
<!ENTITY slm SYSTEM 'd001c001.cgm' NDATA cgm>
```

```
<!ENTITY xblck SYSTEM 'd001c002.cgm' NDATA cgm>
```

```
<!NOTATION cgm PUBLIC "-//USA-DOD//NOTATION Computer Graphics  
Metafile//EN"> <!-- **** Above line added to handle cgm figures  
-->
```

A Second error was noted on line 3 of the Text file. This error referenced the use of "service" versus "branch". The Text file referenced "branch" while the DTD specified "service". The related parts of the Text file and DTD are shown below. This was corrected in the Text file and the document was parsed again. This procedure resulted in 184 errors being reported.

THIS IS THE TEXT FILE

```
<!-- **** DTD specifies service
```

```
<doc branch="army"> -->
```

```
<doc service = "army">
```

THIS IS THE DTD REFERENCE

```
<!ELEMENT doc - - ((volume, volume+) | (docpart, docpart+) |(front,  
body, rear?))+ (ftnote | pgbrk | brk) >
```

```
<!-- CHANGE 910201 - FOLLOWING ATTLLIST CHANGED -->
```

```
<!ATTLIST doc      service      (%service;) #REQUIRED
                  docid CDATA #IMPLIED
                  docstat (revision | change | prelim | draft | formal)
                  "formal" mantype (standard | card | decal) "standard"
                  %secur; >
```

Because of the number of errors remaining, no further effort was made to correct the errors. It was noted that over half of the errors related to the lack of a required TITLE in the figure group. Adding the title tag in the document or removing the title requirement in the DTD will reduced the errors to approximately 50. Due to the size, only part of Exoterica's XGML Normalizer parser log is included in the Appendix of this report.

6. Raster Analysis

No Raster files were include on this tape.

7. CGM Analysis

Two CGM files were included on this tape. The first was an actual file from the test document, while the second was a blank used to fill space in the document.

The files were viewed on the Sun 3/60 system using ATC's CGM-View software. No problems were noted during this procedure. It did appear that some parts of file D001C001 were missing. A hard copy of the file was made and is included in the Appendix of this report. It was noted during the drawing on the screen that overlays were used to hide under lying parts of the drawing. File D001C002 is a simple "X" block and no problems were noted.

The files were moved to the Cheetah for further evaluation. Both files were evaluated for MIL-D-28003 conformance using ATC's Metacheck software. This software reported that neither file met the CALS MIL-D-28003 specification. It further stated that the files were not valid CGM files. The complete error logs are included in the Appendix of this report.

The reported errors in file D001C001 were of two types. Most of the basic CGM errors were polylines with only one distinct ver-

tex. The CALS errors were the missing MIL-D-28003 statement and the use of illegal fonts. File D001C002 also contained these CALS errors.

Bulletin 20009: Element Class/ID: 4/1 Offset: 3106 octets Element No. 239
Warning; POLYLINE with only one distinct vertex.

Error 6076: Element Class/ID: 4/18 Offset: 3738 octets Element No. 285
The three specifying points of the ELLIPTICAL ARC element are invalid; they must be distinct points.

Error 6501: Element Class/ID: 1/2 Offset: 34 octets Element No. 3
The METAFILE DESCRIPTION string is invalid; it lacks the phrase "MIL-D-28003/BASIC-1" required by the Profile.

As a final evaluation, both files were imported into SPC's Harvard Graphics v3.0. File D001Q001 was converted with errors. Three line style errors were reported along with eleven non-CGM objects. When the file was displayed on the screen, several errors were noted. File D001Q002 imported without any reported error and displayed without any noted errors. These hard copies are included in the Appendix of this report.

8. Conclusions and Recommendations

In summary, the MIL-STD-1840A tape from Alliant Techsystems, Inc. contained many errors. The tape could be read properly using both the AFCTN *Tapetool* and AGFA's *read1840A* software. *Tapetool* reported some minor errors, and the two minor reported in the MIL-STD-1840A headers could be corrected easily.

The errors with the SGML Text file were major. The initial parsing operation generated 253 errors. Sixty-nine errors were corrected by inserting the graphics notation statements in the DTD. The remaining errors were scattered throughout the document. Many of these errors relate to the graphics calls and construction of the DTD. The files do not meet the CALS MIL-M-28001A specification.

The two CGM files were reported as not meeting basic CGM requirements. While they did display, parts of file D001C001 appeared to be missing. The CGM files do not meet the CALS MIL-D-28003 specification.

This tape contained many errors in the SGML and CGM files. While this is an improvement over an earlier tape submitted by Alliant, the number and type of errors make this tape unusable. The tape does not meet the CALS MIL-STD-1840A requirements.

9. Appendix A - Tapetool Report Logs

9.1 Tape Catalog

Air Force CALS Test Network Catalog Evaluation - Version 1.2; Release Number 8

Standards referenced:

- MIL-STD-1840A (1987) - Automated Interchange of Technical Information
- MIL-R-28003 (1988) - Digital Representation For Communication Of Illustration Data; CGM Application Profile
- ANSI X3.27 (1987) - File Structure and Labeling of Magnetic Tapes for Information Interchange
- ANSI X3.4 (1986) - Coded Character Sets - 7 Bit ASCII

Thu Jan 9 08:00:32 1992

MIL-STD-1840A File Catalog

File Set Directory: /cals/tapetool8/Set047

Page: 1

File Name	File Type	Record		Selected/ Extracted
		Format/ Length	Block Length/Total	
D001	Document Declaration	D/00260	02048/000001	Extracted
D001C001	CGM	F/00080	00800/000016	Extracted
D001C002	CGM	F/00080	00800/000002	Extracted
D001G003	DTD	D/00260	02048/000021	Extracted
D001T004	Text	D/00260	02048/000049	Extracted

Catalog Process terminated normally.

9.2 Tape Evaluation Log

Air Force CALS Test Network Tape Evaluation - Version 1.2; Release Number 8

Standards referenced:

ANSI X3.27 (1987) - File Structure and Labeling of Magnetic Tapes
for Information Interchange

ANSI X3.4 (1986) - Coded Character Sets - 7 Bit ASCII

Thu Jan 9 08:00:23 1992

ANSI Tape Import Log

Allocating tape drive /dev/rmt0...

/dev/rmt0 allocated.

VOLICALS01

4

Label Identifier: VOL1
Volume Identifier: CALS01
Volume Accessibility:
Owner Identifier:
Label Standard Version: 4

HDR1D001 CALS0100010001000000 92003 00000 000000

Label Identifier: HDR1
File Identifier: D001
File Set Identifier: CALS01
File Section Number: 0001
File Sequence Number: 0001
Generation Number: 0000
Generation Version Number: 00
Creation Date: 92003
Expiration Date: 00000
File Accessibility:
Block Count: 000000
Implementation Identifier:

HDR2D0204800260

00

Label Identifier: HDR2
Recording Format: D
Block Length: 02048
Record Length: 00260
Offset Length: 00

***** Tape Mark *****

Actual Block Size Found = 2048 Bytes.

Number of data blocks read = 1.

***** Tape Mark *****

EOF1D001 CALS0100010001000000 92003 00000 000001

Label Identifier: EOF1
File Identifier: D001
File Set Identifier: CALS01
File Section Number: 0001
File Sequence Number: 0001
Generation Number: 0000
Generation Version Number: 00
Creation Date: 92003
Expiration Date: 00000
File Accessibility:
Block Count: 000001
Implementation Identifier:

EOF2D0204800260

00

Label Identifier: EOF2
Recording Format: D
Block Length: 02048
Record Length: 00260
Offset Length: 00

***** Tape Mark *****

HDR1D001C001 CALS0100010002000000 92003 00000 000000

Label Identifier: HDR1
File Identifier: D001C001
File Set Identifier: CALS01
File Section Number: 0001
File Sequence Number: 0002
Generation Number: 0000
Generation Version Number: 00
Creation Date: 92003
Expiration Date: 00000
File Accessibility:
Block Count: 000000
Implementation Identifier:

HDR2F0080000080

00

Label Identifier: HDR2
Recording Format: F
Block Length: 00800
Record Length: 00080
Offset Length: 00

***** Tape Mark *****

Actual Block Size Found = 800 Bytes.

Number of data blocks read = 16.

***** Tape Mark *****

EOF1D001C001

CALS0100010002000000 92003 00000 000016

Label Identifier: EOF1
File Identifier: D001C001
File Set Identifier: CALS01
File Section Number: 0001
File Sequence Number: 0002
Generation Number: 0000
Generation Version Number: 00
Creation Date: 92003
Expiration Date: 00000
File Accessibility:
Block Count: 000016
Implementation Identifier:

EOF2F0080000080

00

Label Identifier: EOF2
Recording Format: F
Block Length: 00800
Record Length: 00080
Offset Length: 00

***** Tape Mark *****

HDR1D001C002

CALS0100010003000000 92003 00000 000000

Label Identifier: HDR1
File Identifier: D001C002
File Set Identifier: CALS01
File Section Number: 0001
File Sequence Number: 0003

Generation Number: 0000
Generation Version Number: 00
Creation Date: 92003
Expiration Date: 00000
File Accessibility:
Block Count: 000000
Implementation Identifier:

HDR2F0080000080 00

Label Identifier: HDR2
Recording Format: F
Block Length: 00800
Record Length: 00080
Offset Length: 00

***** Tape Mark *****

Actual Block Size Found = 800 Bytes.

Number of data blocks read = 2.

***** Tape Mark *****

EOF1D001C002 CALS0100010003000000 92003 00000 000002

Label Identifier: EOF1
File Identifier: D001C002
File Set Identifier: CALS01
File Section Number: 0001
File Sequence Number: 0003
Generation Number: 0000
Generation Version Number: 00
Creation Date: 92003
Expiration Date: 00000
File Accessibility:
Block Count: 000002
Implementation Identifier:

EOF2F0080000080 00

Label Identifier: EOF2
Recording Format: F
Block Length: 00800
Record Length: 00080
Offset Length: 00

***** Tape Mark *****

File Accessibility:
Block Count: 000021
Implementation Identifier:

EOF2D0204800260

00

Label Identifier: EOF2
Recording Format: D
Block Length: 02048
Record Length: 00260
Offset Length: 00

***** Tape Mark *****

HDR1D001T004

CALS0100010005000000 92003 00000 000000

Label Identifier: HDR1
File Identifier: D001T004
File Set Identifier: CALS01
File Section Number: 0001
File Sequence Number: 0005
Generation Number: 0000
Generation Version Number: 00
Creation Date: 92003
Expiration Date: 00000
File Accessibility:
Block Count: 000000
Implementation Identifier:

HDR2D0204800260

00

Label Identifier: HDR2
Recording Format: D
Block Length: 02048
Record Length: 00260
Offset Length: 00

***** Tape Mark *****

Actual Block Size Found = 2048 Bytes.

*** WARNING - This variable length record type file contained carriage control characters. Carriage control characters are used as record terminators and are interpreted differently among dissimilar systems.

Number of data blocks read = 49.

***** Tape Mark *****

EOF1D001T004 CALS0100010005000000 92003 00000 000049

Label Identifier: EOF1
File Identifier: D001T004
File Set Identifier: CALS01
File Section Number: 0001
File Sequence Number: 0005
Generation Number: 0000
Generation Version Number: 00
Creation Date: 92003
Expiration Date: 00000
File Accessibility:
Block Count: 000049
Implementation Identifier:

EOF2D0204800260

00

Label Identifier: EOF2
Recording Format: D
Block Length: 02048
Record Length: 00260
Offset Length: 00

***** Tape Mark *****

***** Tape Mark *****

End of Volume CALS01

End Of Tape File Set

Deallocating /dev/rmt0...

Tape Import Process terminated with 0 error(s), 2 warning(s),
and 0 note(s).

9.3 Tape File Set Validation Log

Air Force CALS Test Network File Set Evaluation - Version 1.2; Release Number
8

Standards referenced:

MIL-STD-1840A (1987) - Automated Interchange of Technical Information
MIL-R-28002 (1989) - Raster Graphics Representation In Binary
Format, Requirements For

Thu Jan 9 08:00:32 1992

MIL-STD-1840A File Set Evaluation Log

File Set: Set047

Found file: D001

Extracting Document Declaration Header Records...

Evaluating Document Declaration Header Records...

srcsys: Alliant Techsystems Inc., 5901 Lincoln Drive, Edina, MN 55436
srcdocid: PDEP 9-1375-218-12
srcrelid: NONE
chglvl: ORIGINAL
dteis: 19911111
dstsys: Air Force CALS Test Network
dstdocid: PDEP 9-1375-218-12
dstrelid: NONE
dtetrn: 19920103
dlvacc: NONE
filcnt: C2,G1,T1
ttlcls: UNCLASSIFIED
doccls: UNCLASSIFIED
doctyp: Technical Publication
docttl: NONE

Found file: D001C001

Extracting CGM Header Records...

Evaluating CGM Header Records...

srcdocid: PDEP 9-1375-218-12
dstdocid: PDEP 9-1375-218-12
txtfilid: W
figid: NONE
srcgph: NONE
*** ERROR (MIL-STD-1840A; 5.1.4.5) - Invalid value for 'srcgph':
It cannot be 'NONE' for a Document with text.

*** NOTE - The 'srcgph:' value for a graphic is the
cross-reference into the SGML Text File.

doccls: UNCLASSIFIED

notes: NONE

1 error(s), 0 warning(s), and 1 note(s) were encountered
in CGM File D001C001.

Saving CGM Header File: D001C001_HDR

Saving CGM Data File: D001C001_CGM

Found file: D001C002

Extracting CGM Header Records...

Evaluating CGM Header Records...

srcdocid: PDEP 9-1375-218-12

dstdocid: PDEP 9-1375-218-12

txtfilid: W

figid: NONE

srcgph: NONE

*** ERROR (MIL-STD-1840A; 5.1.4.5) - Invalid value for 'srcgph:'.

It cannot be 'NONE' for a Document with text.

*** NOTE - The 'srcgph:' value for a graphic is the
cross-reference into the SGML Text File.

doccls: UNCLASSIFIED

notes: NONE

1 error(s), 0 warning(s), and 1 note(s) were encountered
in CGM File D001C002.

Saving CGM Header File: D001C002_HDR

Saving CGM Data File: D001C002_CGM

Found file: D001G003

Extracting DTD Header Records...

Evaluating DTD Header Records...

srcdocid: PDEP 9-1375-218-12

dstdocid: PDEP 9-1375-218-12

notes: NONE

Saving DTD Header File: D001G003_HDR

Saving DTD Data File: D001G003_DTD

Found file: D001T004

Renaming file from => /cals/tapetool8/Set047/D001T004

to => /cals/tapetool8/Set047/D001/D001T004

Extracting Text Header Records...

Evaluating Text Header Records...

srcdocid: PDEP 9-1375-218-12
dstdocid: PDEP 9-1375-218-12
txtfilid: W
doccls: UNCLASSIFIED
notes: NONE

Saving Text Header File: D001T004_HDR
Saving Text Data File: D001T004_TXT

Evaluating numbering scheme...
No errors were encountered during numbering scheme evaluation.
Numbering scheme evaluation complete.

Checking file count...
No errors were encountered during file count verification.
File Count verification complete.

A total of 2 error(s), 0 warning(s), and 2 note(s) were
encountered in Document D001.

A grand total of 2 error(s), 0 warning(s), and 2 note(s) were
encountered in this File Set.

MIL-STD-1840A File Set Evaluation Complete.

10. Appendix B - SGML Parser Logs

10.1 XGML Parser Log

```
C:\XGML\XGMLNORM.EXE --
Error on line 45 in file \9201\d001t004:
A start tag is missing that must not be omitted.
The element is 'PARA'.

C:\XGML\XGMLNORM.EXE --
Error on line 57 in file \9201\d001t004:
A start tag is missing that must not be omitted.
The element is 'PARA'.

C:\XGML\XGMLNORM.EXE --
Error on line 173 in file \9201\d001t004:
A start tag is missing that must not be omitted.
The element is 'TITLE'.

C:\XGML\XGMLNORM.EXE --
Error on line 173 in file \9201\d001t004:
The start tag of an empty element has been omitted.
The element is 'TITLE'.

C:\XGML\XGMLNORM.EXE --
Error on line 461 in file \9201\d001t004:
Unable to expand entity reference.
The general entity 'OHgr' is undefined.

C:\XGML\XGMLNORM.EXE --
Error on line 481 in file \9201\d001t004:
Unexpected text encountered.
The current element is 'ROW'.
End tags for the following elements are allowed: 'ROW', 'TBODY',
'TGROUP', 'TABLE'.
Start tags for the following elements are allowed: 'ENTRY', 'ENTRYTBL',
'ROW', 'TGROUP'.
Start tags for the following inclusions are allowed: 'BRK', 'FTNOTE',
'PGBRK'.
Text is not allowed.
The extra text will be allowed anyway.

C:\XGML\XGMLNORM.EXE --
Error on line 489 in file \9201\d001t004:
Unexpected text encountered.
The current element is 'TBODY'.
End tags for the following elements are allowed: 'TBODY', 'TGROUP',
```

'TABLE'.
Start tags for the following elements are allowed: 'ROW', 'TGROUP'.
Start tags for the following inclusions are allowed: 'BRK', 'FTNOTE',
'PGBRK'.
Text is not allowed.
The extra text will be allowed anyway.

C:\XGML\XGMLNORM.EXE --
Error on line 497 in file \9201\d001t004:
An end tag for an element that is not open is not allowed.
The element is 'ENTRY'.
The current element is 'TBODY'.
End tags for the following elements are allowed: 'TBODY', 'TGROUP',
'TABLE'.
Start tags for the following elements are allowed: 'ROW', 'TGROUP'.
Start tags for the following inclusions are allowed: 'BRK', 'FTNOTE',
'PGBRK'.
Text is not allowed.
The end tag will be ignored.

C:\XGML\XGMLNORM.EXE --
Error on line 499 in file \9201\d001t004:
An end tag for an element that is not open is not allowed.
The element is 'ROW'.
The current element is 'TBODY'.
End tags for the following elements are allowed: 'TBODY', 'TGROUP',
'TABLE'.
Start tags for the following elements are allowed: 'ROW', 'TGROUP'.
Start tags for the following inclusions are allowed: 'BRK', 'FTNOTE',
'PGBRK'.
Text is not allowed.
The end tag will be ignored.

<<<< PART OF LOG REMOVED HERE >>>>

C:\XGML\XGMLNORM.EXE --
Error on line 1049 in file \9201\d001t004:
Unexpected end tag encountered. More content is required.
The end tag is for element 'PARA0'.
The current element is 'PARA0'.
End tags for the following elements are allowed: None.
Start tags for the following elements are allowed: 'PARA',
'SHORTTITLE', 'SPECPARA'.
Start tags for the following inclusions are allowed: 'BRK', 'CHART',
'FIGURE', 'FTNOTE', 'PGBRK', 'TABLE'.
Text is not allowed.
The element 'PARA0' will be closed anyway.

<<<< PART OF LOG REMOVED HERE >>>>

C:\XGML\XGMLNORM.EXE --
Error on line 1247 in file \9201\d001t004:
Unknown element name in end tag.
There is no such element as 'RANDLITS'.
The current element is 'RANDLIST'.
End tags for the following elements are allowed: 'RANDLIST'.
Start tags for the following elements are allowed: 'ITEM'.
Start tags for the following inclusions are allowed: 'BRK', 'CHART',
'FIGURE', 'FTNOTE', 'PGBRK', 'TABLE'.
Text is not allowed.

<<<< PART OF LOG REMOVED HERE >>>>

C:\XGML\XGMLNORM.EXE --
Error on line 2045 in file \9201\d001t004:
Unexpected text encountered.
The current element is 'THEAD'.
End tags for the following elements are allowed: 'THEAD'.
Start tags for the following elements are allowed: 'ROW', 'TBODY',
'TFOOT'.
Start tags for the following inclusions are allowed: 'BRK', 'FTNOTE',
'PGBRK'.
Text is not allowed.
The extra text will be allowed anyway.

C:\XGML\XGMLNORM.EXE --
Error on line 2047 in file \9201\d001t004:
An end tag for an element that is not open is not allowed.
The element is 'ENTRY'.
The current element is 'THEAD'.
End tags for the following elements are allowed: 'THEAD'.
Start tags for the following elements are allowed: 'ROW', 'TBODY',
'TFOOT'.
Start tags for the following inclusions are allowed: 'BRK', 'FTNOTE',
'PGBRK'.
Text is not allowed.
The end tag will be ignored.

<<<< PART OF LOG REMOVED HERE >>>>

C:\XGML\XGMLNORM.EXE --
Error on line 6183 in file \9201\d001t004:
The start tag of an empty element has been omitted.
The element is 'TITLE'.

11. Appendix C - CGM Logs

11.1 D001C001

11.1.1 D001C001 - MetaCHECK Parser Log

MetaCheck Version 2.05 -- CGM/MIL-D-28003 Conformance Analyzer
Copyright 1988-91 CGM Technology Software
Execution Date: 01/09/92 Time: 15:44:02

Metafile Examined : \9201\d001c001.

Pictures Examined : All

Elements Examined : All

Bytes Examined : All

=====
Trace Report
=====

Tracing not selected.

=====
CGM Conformance Violation Report
=====

Bulletin 20009: Element Class/ID: 4/1 Offset: 1702 octets Element No. 118
Warning; POLYLINE with only one distinct vertex.

Bulletin 20009: Element Class/ID: 4/1 Offset: 1712 octets Element No. 119
Warning; POLYLINE with only one distinct vertex.

Bulletin 20009: Element Class/ID: 4/1 Offset: 1722 octets Element No. 120
Warning; POLYLINE with only one distinct vertex.

Bulletin 20009: Element Class/ID: 4/1 Offset: 1732 octets Element No. 121
Warning; POLYLINE with only one distinct vertex.

Bulletin 20009: Element Class/ID: 4/1 Offset: 1742 octets Element No. 122
Warning; POLYLINE with only one distinct vertex.

Bulletin 20009: Element Class/ID: 4/1 Offset: 1752 octets Element No. 123

Warning; POLYLINE with only one distinct vertex.

Bulletin 20009: Element Class/ID: 4/1 Offset: 1762 octets Element No. 124
Warning; POLYLINE with only one distinct vertex.

Bulletin 20009: Element Class/ID: 4/1 Offset: 3046 octets Element No. 233
Warning; POLYLINE with only one distinct vertex.

Bulletin 20009: Element Class/ID: 4/1 Offset: 3056 octets Element No. 234
Warning; POLYLINE with only one distinct vertex.

Bulletin 20009: Element Class/ID: 4/1 Offset: 3066 octets Element No. 235
Warning; POLYLINE with only one distinct vertex.

Bulletin 20009: Element Class/ID: 4/1 Offset: 3076 octets Element No. 236
Warning; POLYLINE with only one distinct vertex.

Bulletin 20009: Element Class/ID: 4/1 Offset: 3086 octets Element No. 237
Warning; POLYLINE with only one distinct vertex.

Bulletin 20009: Element Class/ID: 4/1 Offset: 3096 octets Element No. 238
Warning; POLYLINE with only one distinct vertex.

Bulletin 20009: Element Class/ID: 4/1 Offset: 3106 octets Element No. 239
Warning; POLYLINE with only one distinct vertex.

Error 6076: Element Class/ID: 4/18 Offset: 3738 octets Element No. 285
The three specifying points of the ELLIPTICAL ARC element are invalid;
they must be distinct points.

Error 4011: Element Class/ID: 0/2 Offset: 11348 octets Element No. 708
The following elements appear in this CGM and should be indicated in the
METAFILE ELEMENT LIST:
VDC INTEGER PRECISION

===== CALS CGM Profile (MIL-D-28003) Report =====

Error 6501: Element Class/ID: 1/2 Offset: 34 octets Element No. 3

The METAFILE DESCRIPTION string is invalid; it lacks the phrase "MIL-D-28003/BASIC-1" required by the Profile.

Error 6508: Element Class/ID: 1/13 Offset: 198 octets Element No. 15
The FONT LIST element is invalid; it may not contain more than 4 font names.

Error 6509: Element Class/ID: 1/13 Offset: 198 octets Element No. 15
Invalid list parameters; each of the Font Names in the FONT LIST element must be among the Font Names allowed by the Profile.

=====
===== Conformance Summary Report =====

MetaCheck Version 2.05 -- CGM/MIL-D-28003 Conformance Analyzer
Copyright 1988-91 CGM Technology Software
Execution Date: 01/09/92 Time: 15:44:06

Name of CGM under test: \9201\d001c001.
Encoding : Binary

Pictures Examined : All
Elements Examined : All
Bytes Examined : All

BEGIN METAFILE string : "slam_1.cgm from slam_1.doc"
METAFILE DESCRIPTION : "Interleaf Inc. MDL/G CGM 1990"

Picture 1 starts at octet offset 622; string contains: "frame"

Conformance Summary : This file is not a conforming CGM.

Consequently, it does not meet the
CALS CGM Profile (MIL-D-28003).

Summary of Testing Performed and Errors Found:

1 Pictures Tested
708 Elements Tested
11350 Octets Tested

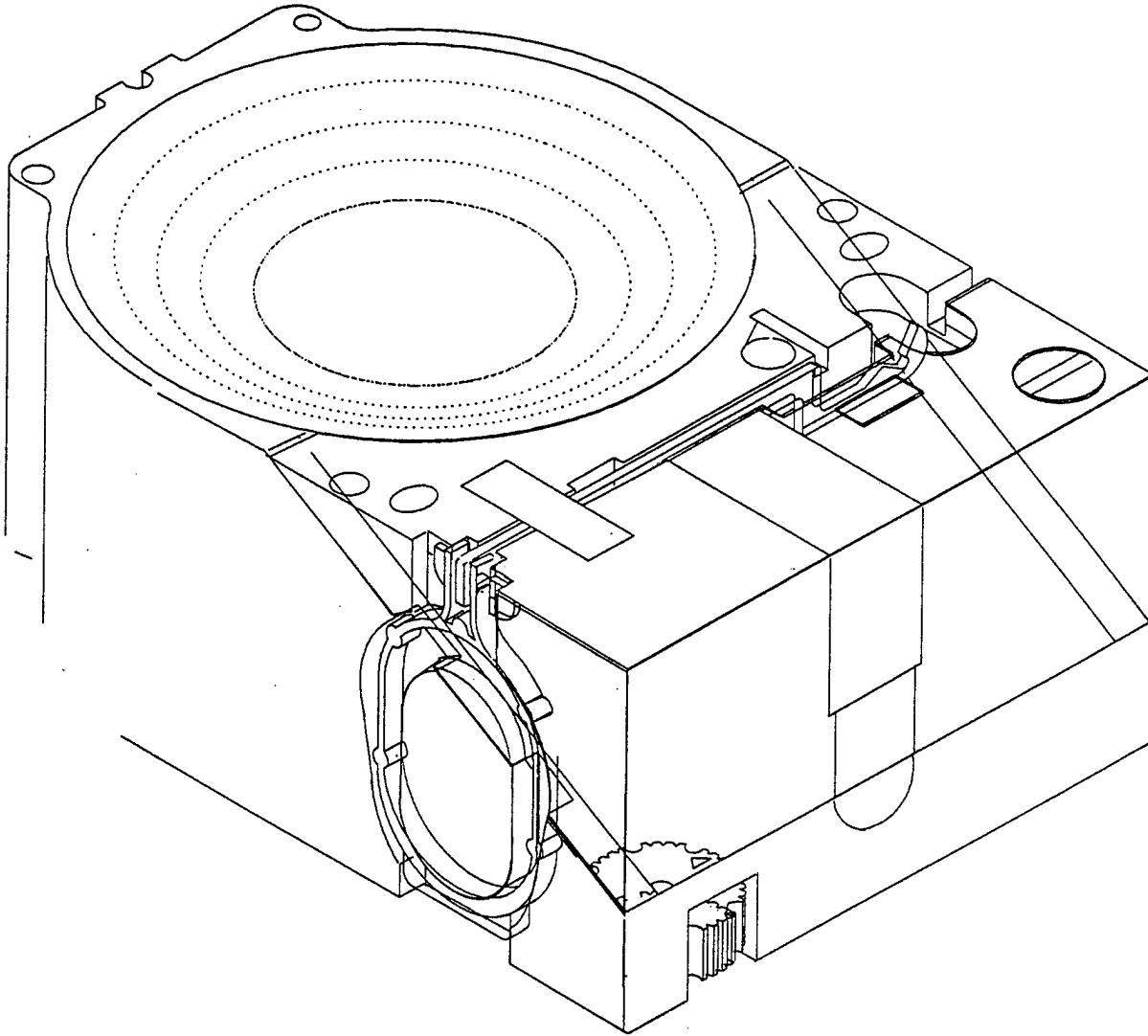
0 Illegal CGM Elements	1000 -	1999
0 Incorrect CGM Element Lengths	2000 -	2999
0 CGM State Errors	3000 -	3499

1	Required CGM Elements Missing or Wrong	4000	-	4499
1	CGM Parameter Values Out of Range	6000	-	6499
0	CGM Structure Errors	7000	-	7499
2	*** CGM Errors Found (total)	***		
0	Profile State Errors	3500	-	3999
0	Illegal Profile Elements	4500	-	4999
3	Profile Parameter Values Out of Range	6500	-	6999
0	Profile Data Limits Exceeded	8500	-	8999
0	Other Profile Constraints Violated	9500	-	9999
3	*** Profile Violations Found (total)	***		
14	Warnings (Advisory Remarks)	20000	-	20999

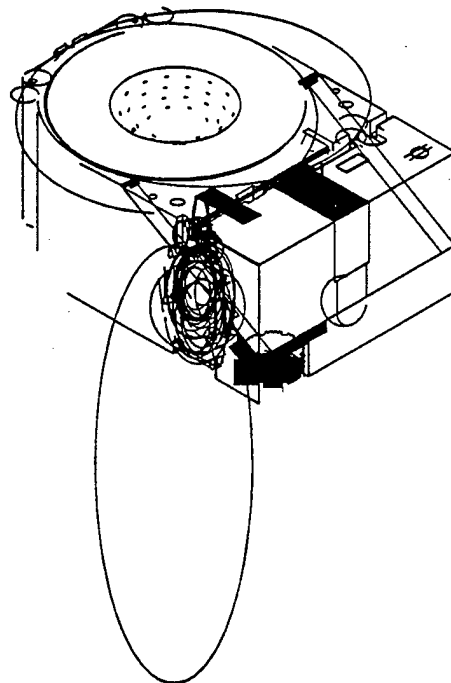
6 distinct errors and warnings were reported.

=====
===== End of Conformance Report =====

11.2 D001C001 - CGM-View



11.3 D001C001 - Harvard Graphics



11.4 D001C002

11.4.1 D001C002 - MetaCHECK Parser Log

MetaCheck Version 2.05 -- CGM/MIL-D-28003 Conformance Analyzer
Copyright 1988-91 CGM Technology Software
Execution Date: 01/09/92 Time: 15:44:18

Metafile Examined : \9201\d001c002.

Pictures Examined : All

Elements Examined : All

Bytes Examined : All

=====
Trace Report
=====

Tracing not selected.

=====
CGM Conformance Violation Report
=====

Error 4011: Element Class/ID: 0/2 Offset: 774 octets Element No. 35
The following elements appear in this CGM and should be indicated in the
METAFILE ELEMENT LIST:
VDC INTEGER PRECISION

=====
CALC CGM Profile (MIL-D-28003) Report
=====

Error 6501: Element Class/ID: 1/2 Offset: 40 octets Element No. 3
The METAFILE DESCRIPTION string is invalid; it lacks the phrase
"MIL-D-28003/BASIC-1" required by the Profile.

Error 6508: Element Class/ID: 1/13 Offset: 204 octets Element No. 15
The FONT LIST element is invalid; it may not contain
more than 4 font names.

Error 6509: Element Class/ID: 1/13 Offset: 204 octets Element No. 15
Invalid list parameters; each of the Font Names in the FONT LIST element
must be among the Font Names allowed by the Profile.

=====
Conformance Summary Report
=====

MetaCheck Version 2.05 -- CGM/MIL-D-28003 Conformance Analyzer

Copyright 1988-91 CGM Technology Software
Execution Date: 01/09/92 Time: 15:44:20

Name of CGM under test: \9201\d001c002.
Encoding : Binary

Pictures Examined : All
Elements Examined : All
Bytes Examined : All

BEGIN METAFILE string : "document.cgm from document.doc"
METAFILE DESCRIPTION : "Interleaf Inc. MDL/G CGM 1990"

Picture 1 starts at octet offset 628; string contains: "fullpage"

Conformance Summary : This file is not a conforming CGM.

Consequently, it does not meet the
CAL S CGM Profile (MIL-D-28003).

Summary of Testing Performed and Errors Found:

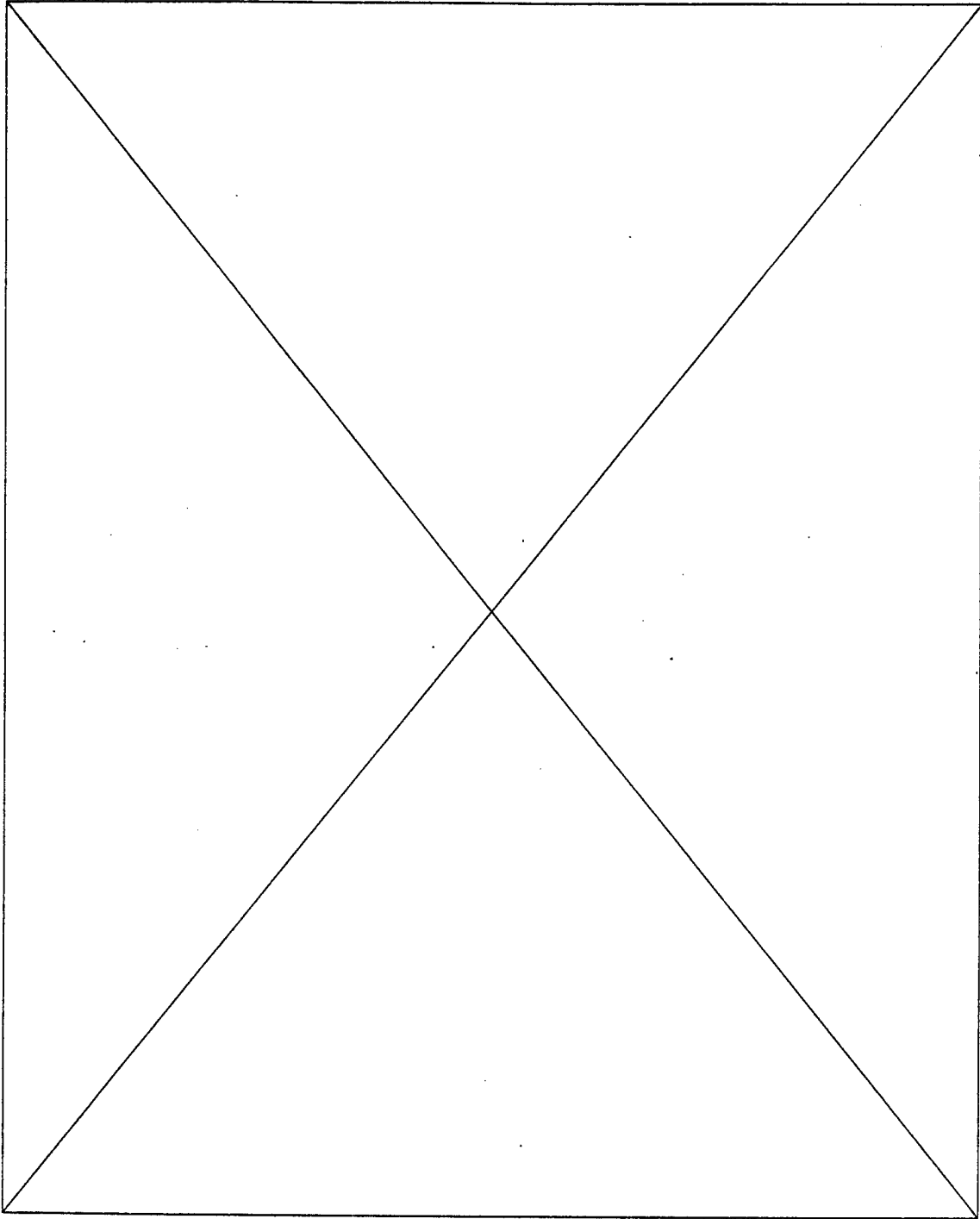
1 Pictures Tested
35 Elements Tested
776 Octets Tested

0 Illegal CGM Elements	1000 -	1999
0 Incorrect CGM Element Lengths	2000 -	2999
0 CGM State Errors	3000 -	3499
1 Required CGM Elements Missing or Wrong	4000 -	4499
0 CGM Parameter Values Out of Range	6000 -	6499
0 CGM Structure Errors	7000 -	7499
1 *** CGM Errors Found (total) ***		
0 Profile State Errors	3500 -	3999
0 Illegal Profile Elements	4500 -	4999
3 Profile Parameter Values Out of Range	6500 -	6999
0 Profile Data Limits Exceeded	8500 -	8999
0 Other Profile Constraints Violated	9500 -	9999
3 *** Profile Violations Found (total) ***		
0 Warnings (Advisory Remarks)	20000 -	20999

4 distinct errors and warnings were reported.

==== End of Conformance Report =====

11.5 D001C002 - CGM-View



11.6 D001C002 - Harvard Graphics

