

AD-A252 451



WRDC-TR-90-8007  
Volume V  
Part 6  
Section 1 of 6



INTEGRATED INFORMATION SUPPORT SYSTEM (IISS)  
Volume V - Common Data Model Subsystem  
Part 6 - Neutral Data Definition Language (NDDL) Product  
Specification  
Section 1 of 6

J. Althoff, M. Apicella, S. Singh

Control Data Corporation  
Integration Technology Services  
2970 Presidential Drive  
Fairborn, OH 45324-6209

DTIC  
ELECTE  
JUN 3 1992  
S B D

September 1990

Final Report for Period 1 April 1987 - 31 December 1990

Approved for Public Release; Distribution is Unlimited

92-14516



MANUFACTURING TECHNOLOGY DIRECTORATE  
WRIGHT RESEARCH AND DEVELOPMENT CENTER  
AIR FORCE SYSTEMS COMMAND  
WRIGHT-PATTERSON AIR FORCE BASE, OHIO 45433-6533

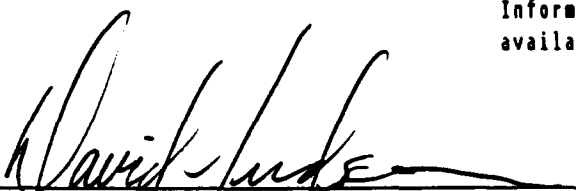
92 6 02 017

## NOTICE

When Government drawings, specifications, or other data are used for any purpose other than in connection with a definitely related Government procurement operation, the United States Government thereby incurs no responsibility nor any obligation whatsoever, regardless whether or not the government may have formulated, furnished, or in any way supplied the said drawings, specifications, or other data. It should not, therefore, be construed or implied by any person, persons, or organization that the Government is licensing or conveying any rights or permission to manufacture, use, or market any patented invention that may in any way be related thereto.

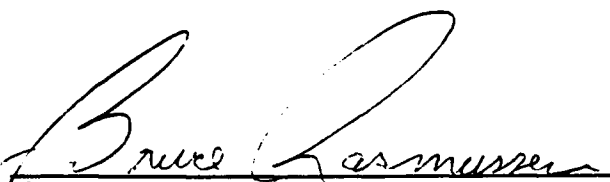
This technical report has been reviewed and is approved for publication.

This report is releasable to the National Technical Information Service (NTIS). At NTIS, it will be available to the general public, including foreign nations

  
DAVID L. JUDSON, Project Manager  
WRDC/MTI  
Wright-Patterson AFB, OH 45433-6533

25 July 91  
DATE

FOR THE COMMANDER:

  
BRUCE A. RASMUSSEN, Chief  
WRDC/MTI  
Wright-Patterson AFB, OH 45433-6533

25 July 91  
DATE

If your address has changed, if you wish to be removed from our mailing list, or if the addressee is no longer employed by your organization please notify WRDC/MTI, Wright-Patterson Air Force Base, OH 45433-6533 to help us maintain a current mailing list.

Copies of this report should not be returned unless return is required by security considerations, contractual obligations, or notice on a specific document.

# REPORT DOCUMENTATION PAGE

FORM APPROVED  
OMB NO. 0704-0188

Public reporting burden for this collection of information is estimated to average 1 hour per response, including the time for reviewing instructions, searching existing data sources, gathering and maintaining the data needed, and completing and reviewing the collection of information. Send comments regarding this burden estimate or any other aspect of this collection of information, including suggestions for reducing this burden, to Washington Headquarters Services, Directorate for Information Operations and Reports, 1215 Jefferson Davis Highway, Suite 1204, Arlington, VA 22202-4302, and to the Office of Management and Budget, Paperwork Reduction Project (0704-0188), Washington, DC 20503.

1. AGENCY USE ONLY (Leave Blank)		2. REPORT DATE September 1990	3. REPORT TYPE AND DATES COVERED Final Technical Report 1Apr87 - 31Dec90	
4. TITLE AND SUBTITLE INTEGRATED INFORMATION SUPPORT SYSTEM (IISS) Volume V - Common Data Model Subsystem Part 6 - Neutral Data Definition Language (NDDL) Product Specification Section 1 of 6			5. FUNDING NUMBERS Contract No.: F33600-87-C-0464 PE: 78011F Proj. No.: 595600 Task No.: F95600 WU: 20950607	
6. AUTHOR(S) J. Althoff, M. Apicella, S. Singh			7. PERFORMING ORGANIZATION NAME(S) AND ADDRESS(ES) Controld Data Corporation Integration Technology Services 2970 Presidential Drive Fairborn, OH 45324-6209	
8. PERFORMING ORGANIZATION REPORT NUMBER PS 620341100			9. SPONSORING MONITORING AGENCY NAME(S) AND ADDRESS(ES) Manufacturing Technology Directorate (WRDC/MTI) Wright-Patterson AFB, OH 45433-6533	
10. SPONSORING/MONITORING AGENCY REP NUMBER WRDC-TR-90-8007, Vol. V, Part 6 Section 1 of 6			11. SUPPLEMENTARY NOTES WRDC/MTI Project Priority 6203	
12a. DISTRIBUTION/AVAILABILITY STATEMENT Approved for Public Release; Distribution is Unlimited.			12b. DISTRIBUTION CODE	
13. ABSTRACT This specification establishes the development, test and qualification requirements of a computer program identified as the "Neutral Data Definition Language Processor" (NDDL Processor). This report is divided into six (6) sections.				
14. SUBJECT TERMS			15. NUMBER OF PAGES 1881	
			16. PRICE CODE	
17. SECURITY CLASSIFICATION OF REPORT SAR		18. SECURITY CLASS OF THIS PAGE SAR	19. SECURITY CLASS OF ABSTRACT SAR	20. LIMITATION ABSTRACT SAR

Standard Form 298 (Rev 2-89)  
Prescribed by ANSI Std Z39-18  
298-102

FOREWORD

This technical report covers work performed under Air Force Contract F33600-87-C-0464, DAPro Project. This contract is sponsored by the Manufacturing Technology Directorate, Air Force Systems Command, Wright-Patterson Air Force Base, Ohio. It was administered under the technical direction of Mr. Bruce A. Rasmussen, Branch Chief, Integration Technology Division, Manufacturing Technology Directorate, through Mr. David L. Judson, Project Manager. The Prime Contractor was Integration Technology Services, Software Programs Division, of the Control Data Corporation, Dayton, Ohio, under the direction of Mr. W. A. Osborne. The DAPro Project Manager for Control Data Corporation was Mr. Jimmy P. Maxwell.

The DAPro project was created to continue the development, test, and demonstration of the Integrated Information Support System (IISS). The IISS technology work comprises enhancements to IISS software and the establishment and operation of IISS test bed hardware and communications for developers and users.

The following list names the Control Data Corporation subcontractors and their contributing activities:

<u>SUBCONTRACTOR</u>	<u>ROLE</u>
Control Data Corporation	Responsible for the overall Common Data Model design development and implementation, IISS integration and test, and technology transfer of IISS.
D. Appleton Company	Responsible for providing software information services for the Common Data Model and IDEF1X integration methodology.
ONTEK	Responsible for defining and testing a representative integrated system base in Artificial Intelligence techniques to establish fitness for use.
Simpact Corporation	Responsible for Communication development.
Structural Dynamics Research Corporation	Responsible for User Interfaces, Virtual Terminal Interface, and Network Transaction Manager design, development, implementation, and support.
Arizona State University	Responsible for test bed operations and support.

TABLE OF CONTENTS

	<u>Page</u>
SECTION 1.0	SCOPE .....
1.1	Identification .....
1.2	Functional Summary .....
SECTION 2.0	DOCUMENTS .....
2.1	Reference Documents .....
2.2	Terms and Abbreviations .....
SECTION 3.0	REQUIREMENTS .....
3.1	Structural Description .....
3.2	Functional Flow .....
3.3	Interfaces .....
3.3.1	Inputs/Outputs .....
3.4	Program Interrupts .....
3.5	Timing and Sequencing Description ...
3.6	Special Control Features .....
3.7	Storage Allocation .....
3.7.1	Database Definition .....
3.7.1.1	File Description .....
3.7.1.2	Table Description .....
3.7.1.3	Item Description .....
3.8	Object Code Creation .....
3.9	Adaptation Data .....
3.10	Detail Design Description .....
3.10.1	Where Include File Used List .....
3.10.2	Where External Routine Used List ..
3.10.3	Main Program Parts List .....
3.10.4	Module Documentation .....
3.10.5	Include File Description .....
3.10.6	Hierarchy Chart .....
3.11	Program Listings Comments .....
SECTION 4.0	QUALITY ASSURANCE PROVISIONS .....
4.1	Introduction and Definitions .....
4.2	Computer Programming and Test Evaluation.....



<b>Accession For</b>	
NTIS GRA&I	<input checked="" type="checkbox"/>
DTIC TAB	<input type="checkbox"/>
Unannounced	<input type="checkbox"/>
Justification	
By	
Distribution/	
Availability Codes	
Dist	Avail and/or Special
A-1	

## SECTION 1

### SCOPE

#### 1.1 Identification

This specification establishes the development, test and qualification requirements of a computer program identified as the "Neutral Data Definition Language Processor" (NDDL Processor). The NDDL Processor is one Configuration Item of the Integrated Information Support System (IISS) Common Data Model (CDM) subsystem.

#### 1.2 Functional Summary

The NDDL Processor is a language used to manipulate and populate information in the Common Data Model (CDM) of the IISS CDM database. The language is modeled after SQL and the commands feature a combination of a few simple verbs (operators) along with the necessary parts of the CDM (objects).

The following functions will be performed by the NDDL processor:

1. Allow the user to populate and maintain the three schemas of the CDM: An external, conceptual and internal and the mappings between each.
2. Provide capabilities for manipulation of many IDEF-1 models and submodels needed during the process of developing a single integrated model of the conceptual schema. Only the integrated model may be mapped to the external and internal schemas.
3. Provide the user with three modes of operation:
  - a) Batch mode allows NDDL command files to be executed, and output may be redirected to a user specified file.
  - b) Interactive mode allow the user to enter NDDL commands at the terminal.
  - c) Forms mode allows the user the capability of using the IISS forms processor to display input and output screens of NDDL commands.
4. Allow the user to describe and maintain textual descriptions of all objects in the CDM.
5. Define alias names for entities and attributes in the CDM.
6. Associate keywords for entities, attributes and relations.
7. Provide the user with additional modeling tools to Copy, Merge, Combine, and Compare conceptual entities, attributes and IDEF1 models.

SECTION 2  
DOCUMENTS

2.1 Reference Documents

1. ICAM Documentation Standards: IDS15012000A, 28 December 1981.
2. D. Appleton Co., CDM Administrators Manual: UM620141000, March 1984.
3. D. Appleton Co., CDM1-IDEF Model of the Common Data Model: CCS620141000, 15 May 1985.
4. D. Appleton Co., Computer Program Development Specification (DS) for ICAM Integrated Support System (IISS) Configuration Item: NDML Precompiler: DS620141200, December 1984.
5. D. Appleton Co., Embedded NDML Programmer's Reference Manual: PRM620141200, March 1985.
6. Softech, Inc., NTM Precompilers Guide: UM620140001, July 1984.
7. Control Data Corp., Computer Program Development Specification (DS) for ICAM Integrated Support System (IISS) Configuration Item: NDDL Command Processor: DS620141100, June 1985.

2.2 Terms and Abbreviations

Attribute Use Class: (AUC)

C/E Transformer: Conceptual Schema to External Schema Translation or Mapping program.

Conceptual Schema: (CS)

Common Data Model Processor: (CDMP)

Common Data Model: (CDM) Describes common data application process formats, form definitions, etc, of the IISS and includes conceptual schema, external, internal schemas, and schema transformation operators.

Data Field: (DF) An element of data in the external schema. It is by this name that an NDML programmer references data.

Database Management System: (DEMS)

Distributed Request Supervisor: (DRS) This IISS CDM subsystem configuration item controls the execution of distributed NDML queries and non distributed updates.

Domain: A logical definition of legal attribute class values.

Domain Constraint: Predicate that applies to a single domain.

External Schema: (ES)

Forms: Structured views which may be imposed on windows or other forms. A form is composed of fields where each field is a form, item, or window.

Forms Processor: (FP) A set of callable execution time routines available to an application program for form processing.

Internal Schema: (IS)

ICAM Definition: (IDEF1)

Integrated Information Support System: (IISS) A test computing environment used to investigate, demonstrate and test the concepts of information management and information integration in the context of Aerospace Manufacturing. The IISS addresses the problems of integration of data resident on heterogeneous databases supported by heterogeneous computers interconnected via a local Area Network.

Mapping: The correspondence of independent objects in two schemas: ES to CS or CS to IS.

Network Transaction Manager: (NTM) Performs the coordination, communication and housekeeping functions required to integrate the application processes and system services resident on the various hosts into a cohesive system.

Neutral Data Manipulation Language: (NDML) A language developed by the IISS project to provide uniform access to common data, regardless of database manager or distribution criteria. It provides distributed retrieved and single node updates.

ORACLE: Relational DBMS based on the SQL (Structured Query Language, a product of ORACLE Corp, Menlo Park, CA). The CDM is an ORACLE database.

Parcel: A sequential file containing sections source code of the input application program.

Request Processor: (RP) A COBOL program that will satisfy a retrieval or update NDML subtransaction against a particular Database Management System.

User Interface: (UI) Controls the user's terminal and interfaces with the rest of the system.

Virtual Terminal Interface: (VTI) Performs the interfacing between different terminals and the UI. This is done by defining a specific set of terminal features and protocols which must be supported by UI software which constitutes the Virtual Terminal Definition. Specific terminals are then mapped against the Virtual Terminal software by specific software modules written for each type of real terminal supported.



SECTION 3  
REQUIREMENTS

3.1 Structural Description

The graphic portrayal of this CPCI is included in Section 3.10. This chart shows the hierarchical relationship of each module making up this CPCI.

This CPCI uses many lower level modules to handle the following operations:

1. Initialize with forms processor, ORACLE DBMS, and other global variables and data structures.
2. Execute the commands sequentially in the order presented by the user.
3. Parse each command for syntactic correctness, using UNIX tools YACC and LEX
4. Transfer control to individual command processors for semantic validation of each command.
5. Access the CDM database to retrieve information.
6. MODIFY, INSERT or DELETE rows of CDM tables whenever information has to be updated.
7. Provide a single standard means of communicating errors to the NDDL user. Error handling allows the database transactions to be committed or rolled back.

3.2 Functional Flow

This CPCI implemented the logic defined in the Development Specification for this CPCI. Details of inputs/outputs and relationships between modules are found in Section 3.10.

This CPCI has been designated to operate in a batch or interactive mode and forms mode. It may operate in the system environment established for IISS; that is, the UI/VTI. It currently can only be executed on the DEC VAX due to the dependence on the VAX Sort. This can be changed for execution on the IBM.

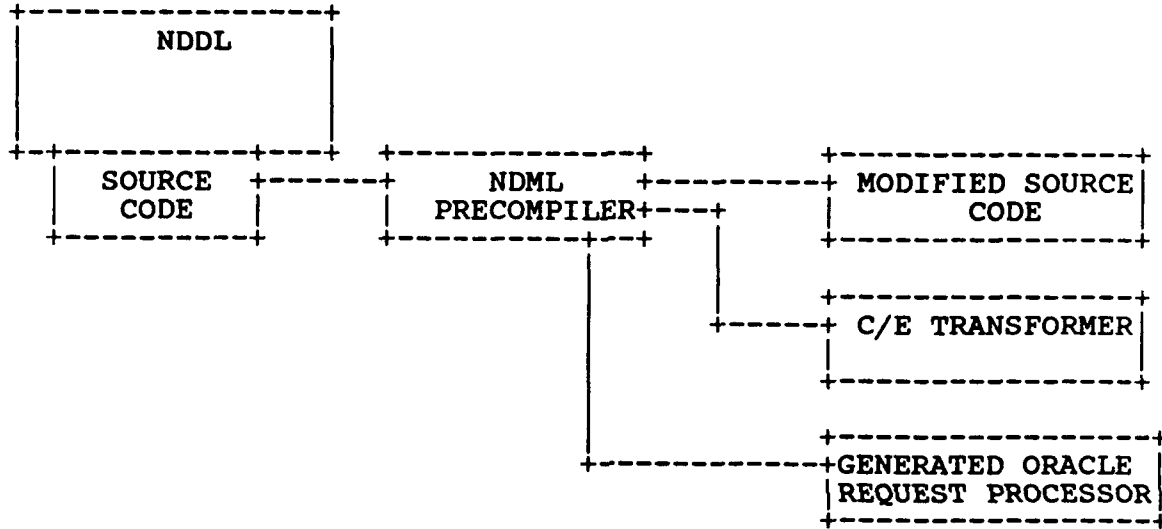
3.3 Interfaces

The NDDL processor makes use of the IISS Forms Processor directly for forms interactive input and output. NDDL also make use of the standard "C" input/output library to allow the user for interactive input or batch input via file redirection database access is through a combination of:

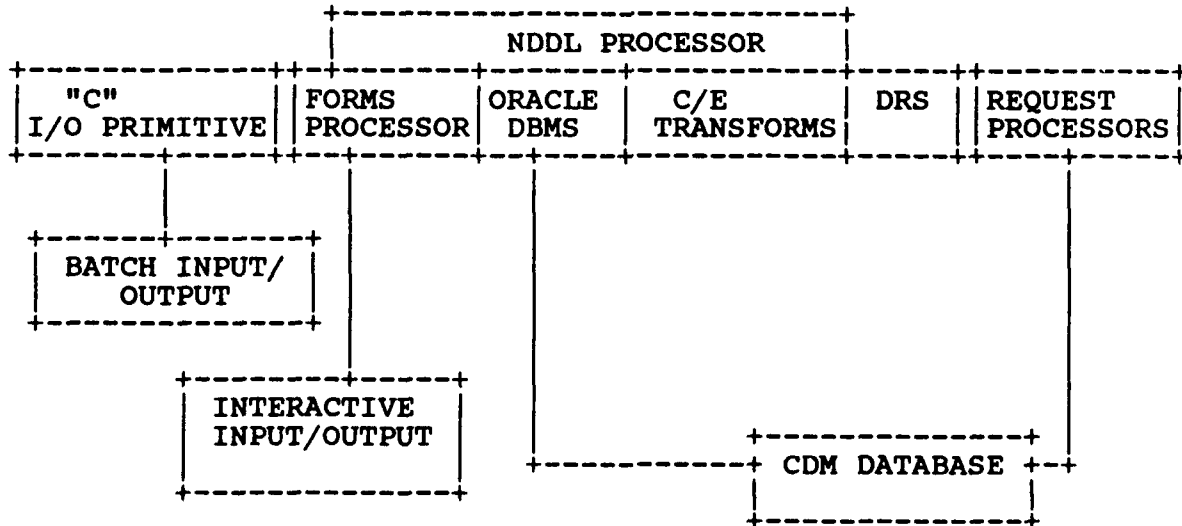
- a) ORACLE for recursive searches not supported by NDML and a few update routines.
- b) NDML for searches and a few update routines.

NDML routines are precompiled by the IISS NDML precompiler and ORACLE request processors are generated which communicates with NDDL through the DRS.

Precompile Interfaces



Runtime Interfaces



### 3.3.1 Inputs/Outputs

Input to components of the NDDL processor is done in an invisible manner without respect to the means in which the input was obtained. Output from the NDDL processor to the user is provided through a standard interface to allow for the same invisibility.

#### INPUT

None.

#### OUTPUT

### 3.4 Program Interrupts

Not applicable to this CPCI.

### 3.5 Timing and Sequencing Description

Not applicable to this CPCI.

### 3.6 Special Control Features

When NDDL is activated, at the "args": prompt, entering a -I will display an NDDL form to enable the user to execute NDDL commands.

### 3.7 Storage Allocation

#### 3.7.1 Database Definition

The database used by this CPCI is the Common Data Model (CDM) database. The model is defined by the CDM1, the IDEF1 model of the CDM, Reference Document Number 3.

##### 3.7.1.1 File Description

No permanent files have been defined for this CPCI. It may use temporary scratch files for such things as input and results.

##### 3.7.1.2 Table Description

All tables used by this CPCI have been defined by the Development Specification for this CPCI.

##### 3.7.1.3 Item Description

Not applicable to this CPCI.

### 3.8 Object Code Creation

The object code for this CPCI will be created by the system integration team using defined MISS Software Configuration Management procedures. This CPCI will use the COBOL and "C" language compilers. This CPCI will use the COBOL and "C" language compilers.

### 3.9 Adaptation Data

This CPCI has been using ANSI COBOL and "C" languages. The intent was to provide a transportable system. Any system environment supporting these languages, a virtual memory management and UI/VTI schema, and the ORACLE Database Management System should be able to support this CPCI. Every possible attempt has been made to localize and identify any machine or environment dependent modules through the original design of the IISS and application of Configuration Management Procedures.

### 3.10 Detail Design Description

The following sections have been computer generated for this CPCI.

3.10.1 Where Include File Used List

The following lists each include file in the documentation group and all the modules documented in this specification which include them. The purpose of each module is listed as well.

DOCGROUP PS41100 Where-include-file-used List

Include File -----	Module Name -----
LISTNOS	ADDATT
	ADDFLDS
	ADDKC
	ADDKW
	ADDMAP
	ADDMIG
	ADDMIGC
	ADDPKMS
	ADDUNIN
	ALGCHK
	ALGDTN
	ALTALI
	ALTCARD
	ALTCAT
	ALTCODL
	ALTDB
	ALTDBMS
	ALTDOM
	ALTENT
	ALTENTK
	ALTFLDS
	ALTHST
	ALTIMS
	ALTMAP
	ALTMOD
	ALTORCL
	ALTPART
	ALTPSB
	ALTREC
	ALTREL

DOCGROUP PS41100 Where-include-file-used List

Include File -----	Module Name -----
	ALTSMAP
	ALTSMOD
	ALTTAG
	ALTUNIN
	ALTVLRG
	ALTVMOD
	AOACOPR
	AOAEVAL
	BLVWLST
	CHKCARD
	CHKMOD
	CMBENT
	CMPMOD
	COPATT
	COPENT
	CPDDRAL
	CPDDRSP
	CPDOFAL
	CPDOFSP
	CPYDB
	CPYDBMS
	CPYDOM
	CPYDSTP
	CPYHST
	CPYMAP
	CPYMCAT
	CPYMENT
	CPYMOD
	CPYMODU
	CPYMREC
	CPYMREL

DOCGROUP PS41100 Where-include-file-used List

Include File -----	Module Name -----
	CPYMSET
	CPYREC
	CPYSET
	CPYVIEW
	CRTALI
	CRTATT
	CRTCAT
	CRTDOM
	CRTDSCT
	CRTENT
	CRTMAP
	CRTMOD
	CRTPART
	CRTRELA
	CRTVIEW
	CRTVLRG
	CRTVMOD
	DBLOOK
	DEFALG
	DEFAREA
	DEFCODL
	DEFDB
	DEFDBMS
	DEFHST
	DEFIMS
	DEFORCL
	DEFPSB
	DEFREC
	DEFSET
	DEFSMOD
	DRPAC

DOCGROUP PS41100 Where-include-file-used List

Include File -----	Module Name -----
	DRPALG
	DRPALI
	DRPARMS
	DRPATT
	DRPCAT
	DRPDB
	DRPDBMS
	DRPDOM
	DRPDSCT
	DRPENT
	DRPFLD
	DRPHST
	DRPKC
	DRPKW
	DRPKWC
	DRPMAP
	DRPMIG
	DRPMOD
	DRPPART
	DRPPSB
	DRPREC
	DRPREL
	DRPSET
	DRPSMAP
	DRPSMOD
	DRPVIEW
	EXCFLAG
	FLDSEMS
	GETDBST
	GETDRT
	GETRDH



DOCGROUP PS41100 Where-include-file-used List

Include  
File  
-----

Module  
Name  
-----

HPNLOOK  
KCMSUBS  
KEYADS  
MKRNLS1  
MKRNLS1  
MRGMOD  
PROCDT  
PROCPRM  
RCCHK  
RCCHK1  
RECSEMS  
RENMOBJ  
SETOUT  
TERDIR  
TERREL  
TERSIM  
TERSTR  
TRADIR  
TRAFIL  
VALDROP  
VERHST

ERRCDM

ADDFLDS  
ADDMAP  
ADDPMS  
ALGCHK  
ALGDTN  
ALLDB  
ALLDBMS  
ALLDOM  
ALLDT

DOCGROUP PS41100 Where-include-file-used List

Include File -----	Module Name -----
	ALLECRT
	ALLMENT
	ALLMREC
	ALLMROJ
	ALLREC
	ALLREL
	ALLRNG
	ALLSET
	ALLVALU
	ALLVIEW
	ALMROJC
	ALT1ERT
	ALTAISM
	ALTCODL
	ALTDB
	ALTDDBMS
	ALTDDBT
	ALTDT
	ALTENTK
	ALTFLDS
	ALTHST
	ALTIMS
	ALTMAP
	ALTORCL
	ALTPART
	ALTPSB
	ALTREC
	ALTSMAP
	ALTSMOD
	ALTTAG
	ALTVLRG

DOCGROUP PS41100 Where-include-file-used List

Include File -----	Module Name -----
	ALTVMOD
	AOACHK
	AOACOPR
	AOACREC
	AOACTAG
	AOADPM
	AOAEVAL
	AOAGAI
	AOAKC
	AOAMGDP
	AOAPICR
	BLDRCEC
	BLRCKC
	BLRCKC1
	BLVWLST
	CDNMOD
	CDP4A
	CDTRNSX
	CHKAUCV
	CHKCMPX
	CHKDOMS
	CHKKEYS
	CHKRNG
	CHKSTMP
	CHKVAL
	CMPMOD
	COPAALI
	COPAKW
	COPCKW
	COPEKW
	COPOA

DOCGROUP PS41100 Where-include-file-used List

Include File -----	Module Name -----
	COPRKW
	COPVALI
	CPDDRAL
	CPDDRSP
	CPDOFAL
	CPDOFSP
	CPY1SMD
	CPYDBMS
	CPYDSTP
	CPYHST
	CPYMCAT
	CPYMENT
	CPYMODU
	CPYMREC
	CPYMREL
	CPYMSET
	CPYVIEW
	CREATTR
	CRTCAT
	CRTDSCT
	CRTMACR
	CRTMAP
	CRTPART
	CRTVIEW
	CRTVMOD
	DEFALG
	DEFAREA
	DEFCODL
	DEFDB
	DEFDBMS
	DEFHST

DOCGROUP PS41100 Where-include-file-used List

Include File -----	Module Name -----
	DEFIMS
	DEFORCL
	DEFPSB
	DEFREC
	DEFSMOD
	DEL1AIM
	DEL1ASM
	DEL1ERT
	DEL1PDF
	DEL1PRF
	DELAAB
	DELAACN
	DELAISM
	DELAPRM
	DELAREA
	DELASM
	DELCONI
	DELDBH
	DELDBMS
	DELDIV
	DELDOM
	DELDST
	DELDT
	DELDTD
	DELECON
	DELECRF
	DELHPN
	DELHPNA
	DELHST
	DELMTAG
	DELPARM

DOCGROUP PS41100 Where-include-file-used List

Include File -----	Module Name -----
	DELPDF
	DELPDI
	DELPDB
	DELQCRF
	DELQCTG
	DELROJ
	DELROJE
	DELSMOD
	DELUNIN
	DELVIEW
	DEPEC
	DEPENDD
	DEPKCM
	DEPKCM1
	DEPREL
	DEPREL1
	DEPRELA
	DRPALG
	DRPALTG
	DRPARMS
	DRPDBMS
	DRPDFMP
	DRPDIV
	DRPDSCT
	DRPECRT
	DRPFLD
	DRPHST
	DRPMAP
	DRPPART
	DRPPRF1
	DRPPSB

DOCGROL PS41100 Where-include-file-used List

Include File -----	Module Name -----
	DRPRNG
	DRPRNGA
	DRPRULE
	DRPSMAP
	DRPSMOD
	DRPSPRF
	DRPSTMP
	DRPUNIN
	DRPVAL
	DRPVALA
	DRPVIEW
	DRPVMOD
	ECLOOK
	ECRTALL
	ECRTCHK
	FETITAG
	FILEINS
	FLDSEMS
	FNDEC
	FNDECCM
	FNDECCR
	FNDECM1
	FNDPDF
	FNDRCEC
	FNDRCIE
	GEN1DSC
	GENALG
	GENATTR
	GENCAT
	GENCMPX
	GENCREC

DOCGROUP PS41100 Where-include-file-used List

Include File -----	Module Name -----
	GENCRPT
	GENCRUN
	GENDCOM
	GENDEP
	GENECRT
	GENEHP
	GENENT2
	GENEUN
	GENFLD
	GENGENC
	GENICOM
	GENIND
	GENKEY
	GENMENT
	GENMROJ
	GENPSB
	GENREL1
	GENTODF
	GENTOST
	GENVIEW
	GETCARD
	GETDFSL
	GETDOM
	GETDTN
	GETMEMB
	GTAUCPR
	GTCNTPR
	GTDIPR
	GTDITYP
	GTVIEWS
	HPNLOOK



DOCGROUP PS41100 Where-include-file-used List

Include File -----	Module Name -----
	INS1PSB
	INS1ROJ
	INSAISM
	INSAPRM
	INSAREA
	INSAUCS
	INSCOPA
	INSDAA
	INSDB
	INSDBH
	INSDBMS
	INSDESC
	INSDFPA
	INSDI
	INSDIPA
	INSDOM
	INSDSCT
	INSDT
	INSECRF
	INSECRT
	INSHST
	INSKC
	INSPARM
	INSPART
	INSPCB
	INSPDF
	INSPDI
	INSPWRD
	INSQCRF
	INSQCTG
	INSRNG

DOCGROUP PS41100 Where-include-file-used List

Include File -----	Module Name -----
	INSRTPA
	INSRTYP
	INSRULE
	INSSCH
	INSSMOD
	INSTGPA
	INSUNIN
	INSVAL
	INSVIEW
	INSVMOD
	KCINH
	KCMADD
	KCMDRP
	KCMSUBS
	KEYADS
	KEYSUB
	KYSTRUC
	LDECLST
	LOADESC
	MALTOAT
	MAPADF
	MAPAREC
	MAPAROJ
	MAPASET
	MKRNL1
	MKRNLST
	MODAAUC
	MODACEC
	MODAISM
	MODAKCM
	MODAUCE

DOCGROUP PS41100 Where-include-file-used List

Include File -----	Module Name -----
	MODDBAL
	MODENT
	MODIAUC
	MODKCNM
	MODLOC
	MODPCB
	MODPWRD
	MODRCKC
	MODREL
	MODREL1
	MODRELA
	MODSCH
	MRGMOD2
	NCOMMIT
	NEWTAGM
	NROLBAK
	OLDTAGM
	ORALON
	OUTDESC
	P1FROM
	PNOFROM
	PRESMIG
	PROCDT
	PROCPRM
	RECSEMS
	REVIEW
	RETATTR
	RETDT
	RETECKW
	RETRFLD
	RETRNGA

DOCGROUP PS41100 Where-include-file-used List

Include File -----	Module Name -----
	RETSTD
	RETVALA
	RETVMOD
	SAVTAGS
	SEL1DSC
	SELAIMP
	SELAIMT
	SELAISM
	SELAPRM
	SELCRDN
	SELDB
	SELDBAA
	SELDBMS
	SELDBNM
	SELDBRT
	SELDESC
	SELDFPM
	SELDI
	SELDSTP
	SELECXR
	SELHOST
	SELHP
	SELHSTS
	SELKCM
	SELKMA
	SELMODS
	SELMREC
	SELMTAG
	SELPARM
	SELPEC
	SELRELC

DOCGROUP PS41100 Where-include-file-used List

Include File -----	Module Name -----
	SELRELL
	SELRMAP
	SELRTPM
	SELTGEC
	SELUNIN
	SELURT
	SMVIEW
	STARTBL
	STRINS
	STRQCRF
	TERREL
	TERSTR
	TRMDDL
	UPD1PSB
	UPDAUCS
	UPDIND
	UPDRULE
	UPDSMOD
	UPDTDT
	VALDROP
	VALDTN
	VALROJ
	VALVWRC
	VERAIM
	VERAIMD
	VERAIMR
	VERAISM
	VERALG
	VERALGI
	VERALMP
	VERAPDF

DOCGROUP PS41100 Where-include-file-used List

Include File -----	Module Name -----
	VERAPRM
	VERARL
	VERATAG
	VERDBA
	VERDBAA
	VERDBAL
	VERDBH
	VERDBMS
	VERDBRL
	VERDBRT
	VERDBST
	VERDFID
	VERDFPA
	VERDFUS
	VERDIID
	VERDIPA
	VERDSCT
	VERDTD
	VERDTFL
	VERDTN
	VERDTYP
	VERDUNI
	VERECN
	VERECR
	VERECRT
	VERERMD
	VERFJOB
	VERHORZ
	VERHPDF
	VERHPN
	VERHPST

DOCGROUP PS41100 Where-include-file-used List

Include File -----	Module Name -----
	VERHST
	VERHZP
	VERIREL
	VERITAG
	VERKCM
	VERKCMG
	VERLUW
	VERMAPD
	VERMPDF
	VERMPDT
	VERMUNI
	VERPARM
	VERPART
	VERPASS
	VERPCB
	VERPSB
	VERRCB
	VERRNG
	VERROJ
	VERROJR
	VERRPS
	VERRSUS
	VERTID
	VERTNO
	VERRULE
	VERSCH
	VERSDT
	VERSMOD
	VERSTID
	VERTAG
	VERTAP

DOCGROUP PS41100 Where-include-file-used List

Include File -----	Module Name -----
	VERTAUC
	VERTKCM
	VERTPDI
	VERTYP
	VERUDT
	VERUNIN
	VERVAL
	VERVIEW
	VERVWQU
	VMODPRM
	VOMAPS
	WRDSFL
	WRTALG
	WRTDITM
	WRTDSTP
	WRTOAT
	WRTSLCT
	WRTWHCL
DFTBL	
	ADDFLDS
	ALTFLDS
	DELFLDS
	DRPFLD
	FLDSEMS
	RECSEMS
UNIQENO	
	ADDFLDS
	ADDKC
	ADDKW
	ADDMIG
	ADDMIGC



DOCGROUP PS41100 Where-include-file-used List

Include File -----	Module Name -----
	ADDOAC
	ALLVIEW
	ALTDDB
	ALTFLDS
	ALTMOD
	AOAGAI
	AOAKC
	AOAMGDP
	AOAPICR
	BLDATT
	BLDATT1
	CHGDOM
	CHKDOMS
	CRTATT
	CRTCAT
	CRTDOM
	CRTEXT
	CRTMOD
	CRTRELA
	CRTVIEW
	DEFDB
	DEFHST
	DEFREC
	DEFSET
	DELAUC
	DELCRIP
	DELCRP1
	DELDBDF
	DELDBRT
	DELDBST
	DELDFL2

DOCGROUP PS41100 Where-include-file-used List

Include File -----	Module Name -----
	DELDTNO
	DEFLDS
	DELMDKC
	DELMDCR
	DELMIGK
	DELMTKC
	DLMDAUC
	DLMIGRC
	DMIGKCC
	DMIGKRC
	DRPATT
	DRPCAT
	DRPCRE
	DRPCRE1
	DRPDB
	DRPDIV
	DRPDOM
	DRPDT
	DRPENT
	DRPFLD
	DRPHST
	DRPKC
	DRPKWC
	DRPMOD
	DRPRCE
	DRPREC
	DRPREL
	DRPSET
	DRPVIEW
	FLDSEMS
	FNDACM

DOCGROUP PS41100 Where-include-file-used List

Include File -----	Module Name -----
	FNDECM
	FREGECLST
	FRETAGLST
	ICOPENT
	INSDT
	INSGECLST
	INSTAGLST
	KCINH
	KEYLOOK
	RECSEMS
	SELRSET
	SELSTM
	SMVIEW
	TERATTR
	TERKEY
	TRADIR
TDFTBL	
	ADDFLDS
	ALTFLDS
	DRPFLD
	FLDSEMS
	GENFLD
	RECSEMS
	RETRFLD
ERRPRO	
	ADDFLDS
	ADDKWA
	ADDKWE
	ADDKWR
	ADDMAP
	ADDMIG

DOCGROUP PS41100 Where-include-file-used List

Include File -----	Module Name -----
	ADDMIGC
	ADDOAC
	ALGCHK
	ALGDTN
	ALLDB
	ALLDBMS
	ALLDOM
	ALLDT
	ALLECRT
	ALLKEY
	ALLMENT
	ALLMREC
	ALLMROJ
	ALLREC
	ALLREL
	ALLRNG
	ALLSET
	ALLVALU
	ALLVIEW
	ALMROJC
	ALT1ERT
	ALTAISM
	ALTCODL
	ALTDB
	ALTDBMS
	ALTDBT
	ALTENTK
	ALTFLDS
	ALTHST
	ALTIMS
	ALTMAP

DOCGROUP PS41100 Where-include-file-used List

Include File -----	Module Name -----
	ALTORCL
	ALTPART
	ALTPSB
	ALTREC
	ALTSMAP
	ALTTAG
	ALTVMOD
	AOACHK
	AOACOPR
	AOACREC
	AOACTAG
	AOADPM
	AOAEVAL
	AOAGAI
	AOAKC
	AOAMGDP
	AOAPICR
	ATTKW
	BLDRCEC
	BLKLL1
	BLRCLST
	BLRCKC
	BLRCKC1
	BLVWLST
	CATFROM
	CDNMOD
	CDP4A
	CDTRNSX
	CERELS
	CESTRUC
	CHKATT

DOCGROUP PS41100 Where-include-file-used List

Include File -----	Module Name -----
	CHKAUCV
	CHKCAT
	CHKCDOM
	CHKCMPX
	CHKHPRT
	CHKKEYS
	CHKMKM
	CHKMOD
	CHKREL
	CHKRELC
	CHKRNG
	CHKSTMP
	CHKVAL
	CMBACAL
	CMBALI
	CMBEKW
	CMBENT
	CMBOA
	CMBRKW
	CMCOUNT
	CMPCRDA
	CMPMOD
	COPAALI
	COPAKW
	COPATT
	COPCKW
	COPEKW
	COPENT
	COPOA
	COPRKW
	COPVALI

DOCGROUP PS41100 Where-include-file-used List

Include File -----	Module Name -----
	COPYAC
	CPDDRAL
	CPDDRSP
	CPDOFAL
	CPDOFSP
	CPY1HST
	CPY1SMD
	CPYDB
	CPYDBMS
	CPYDOM
	CPYDSTP
	CPYHST
	CPYMAP
	CPYMCAT
	CPYMENT
	CPYMODU
	CPYMREC
	CPYMREL
	CPYMSET
	CPYREC
	CPYSET
	CPYVIEW
	CREATTR
	CRTDSCT
	CRTMACR
	CRTMAP
	CRTMOD
	CRTPART
	CRTVMOD
	DBLOOK
	DEFALG

DOCGROUP PS41100 Where-include-file-used List

Include File -----	Module Name -----
	DEFAREA
	DEFCODL
	DEFDB
	DEFDBMS
	DEFHST
	DEFIMS
	DEFORCL
	DEFPSB
	DEFREC
	DEL1AIM
	DEL1ASM
	DEL1ERT
	DEL1PDF
	DEL1PRF
	DELAAA
	DELAACON
	DELAISM
	DELAPRM
	DELAREA
	DELASM
	DELCONI
	DELDLDBF
	DELDLDBH
	DELDLDBMS
	DELDLDBRT
	DELDLDBST
	DELDIV
	DELDOM
	DELDLDBSCT
	DELDT
	DELDTD



DOCGROUP PS41100 Where-include-file-used List

Include File -----	Module Name -----
	DELDTNO
	DELECON
	DELECRF
	DELFLDS
	DELHPN
	DELHPNA
	DELHST
	DELMDKC
	DELMDCR
	DELMTAG
	DELOAC
	DELPARM
	DELPDF
	DELPDI
	DELPSB
	DELQCRF
	DELQCTG
	DELROJ
	DELROJE
	DELSMOD
	DELUNIN
	DELVIEW
	DEPEC
	DEPENTD
	DEPFROM
	DEPKCM
	DEPKCM1
	DEPREL
	DEPREL1
	DEPRELA
	DLMDAUC

DOCGROUP PS41100 Where-include-file-used List

Include File -----	Module Name -----
	DOMUSAG
	DRPAC
	DRPALG
	DRPALTG
	DRPATT
	DRPCRE
	DRPCRE1
	DRPDB
	DRPDBMS
	DRPDFMP
	DRPDIV
	DRPDSCT
	DRPECRT
	DRPFLD
	DRPHST
	DRPKC
	DRPMAP
	DRPMGKM
	DRPMGRC
	DRPMOD
	DRPPART
	DRPPRF1
	DRPPSB
	DRPRCE
	DRPRNG
	DRPRNGA
	DRPRULE
	DRPSET
	DRPSMAP
	DRSPRF
	DRPSTMP

DOCGROUP PS41100 Where-include-file-used List

Include  
File  
-----

Module  
Name  
-----

DRPUNIN  
DRPVAL  
DRPVALA  
DRPVMOD  
ECLOOK  
ECRTALL  
ECRTCHK  
ENTKW  
FCOPATT  
FCOPENT  
FETITAG  
FILEINS  
FINDDOM  
FLDSEMS  
FND1MEM  
FNDACM  
FNDASA  
FNDASM  
FNDAUC  
FNDEC  
FNDECCM  
FNDECCR  
FNDECM  
FNDECM1  
FNDOAC  
FNPDF  
FNDRCEC  
FNDRCIE  
FNDRCM  
FRTOREL  
GEN1DSC

DOCGROUP PS41100 Where-include-file-used List

Include File -----	Module Name -----
	GENAKW
	GENALG
	GENAREL
	GENATTR
	GENCAT
	GENCMPX
	GENCREC
	GENCRPT
	GENCRUN
	GENDALG
	GENDB
	GENDCOM
	GENDEP
	GENDESC
	GENDOM
	GENDT
	GENECRT
	GENEHP
	GENEKW
	GENENT1
	GENENT2
	GENEUN
	GENFLD
	GENFROM
	GENGENC
	GENICOM
	GENIND
	GENKEY
	GENMAP
	GENMENT
	GENMREL

DOCGROUP PS41100 Where-include-file-used List

Include File -----	Module Name -----
	GENMROJ
	GENOA
	GENPSB
	GENREC
	GENREL1
	GENRKW
	GENSET
	GENTODF
	GENTOST
	GENVIEW
	GETACAL
	GETCARD
	GETCRID
	GETCRNM
	GETDBST
	GETDFSL
	GETDOM
	GETDTN
	GETECAL
	GETECS
	GETMEMB
	GETRCID
	GETRCNM
	GETRDH
	GTAUCPR
	GTCNTPR
	GTDIPR
	GTDTTYP
	GTVIEWS
	HPNLOOK
	ICOPATT

DOCGROUP PS41100 Where-include-file-used List

Include File -----	Module Name -----
	ICOPENT
	INDFROM
	INS1PSB
	INS1ROJ
	INSAISM
	INSAPRM
	INSAREA
	INSAUCS
	INSCOPA
	INSDAA
	INSDB
	INSDBH
	INSDBMS
	INSDESC
	INSDFPA
	INSDI
	INSDIPA
	INSDOM
	INSDSCT
	INSDT
	INSECRF
	INSECRT
	INSHST
	INSKC
	INSPARM
	INSPART
	INSPCB
	INSPDF
	INSPDI
	INSPWRD
	INSQCRF

DOCGROUP PS41100 Where-include-file-used List

Include File -----	Module Name -----
	INSQCTG
	INSRNG
	INSRTPA
	INSRTYP
	INSRULE
	INSSCH
	INSSMOD
	INSTGPA
	INSUNIN
	INSVAL
	INSVIEW
	INSVMOD
	KCINH
	KCMADD
	KCMDRP
	KCMSUBS
	KEYADS
	KEYLOOK
	KEYSUB
	KYSTRUC
	LDECLST
	LOADESC
	MALTOAT
	MAPADF
	MAPAREC
	MAPAROJ
	MAPASET
	MGENOA
	MODAAUC
	MODACEC
	MODAISM

DOCGROUP PS41100 Where-include-file-used List

Include File -----	Module Name -----
	MODAKCM
	MODATT
	MODAUCE
	MODDBAL
	MODENT
	MODIAUC
	MODKC
	MODKCNM
	MODLOC
	MODOATT
	MODPCB
	MODPWRD
	MODRCKC
	MODREL
	MODREL1
	MODRELA
	MODSCH
	MRGMOD
	MRGMOD1
	MRGMOD2
	NCOMMIT
	NEWTAGM
	NROLBAK
	OLDTAGM
	ORALON
	OUTDESC
	PRESMIG
	RACKW2
	RECKW2
	RECSEMS
	RELKW



DOCGROUP PS41100 Where-include-file-used List

Include  
File  
-----

Module  
Name  
-----

RETACKW  
RETATTR  
RETDI  
RETECKW  
RETRAC1  
RETRAC2  
RETRACP  
RETRCKW  
RETREC1  
RETREC2  
RETRECP  
RETRFLD  
RETRNGA  
RETSTD  
RETVALA  
RETVMOD  
RRCKW2  
SAVTAGS  
SEL1DSC  
SELACNM  
SELAIMP  
SELAIMT  
SELAISM  
SELAPRM  
SELCATC  
SELCATM  
SELCRAD  
SELCRDN  
SELDB  
SELDBAA  
SELDBMS

DOCGROUP PS41100 Where-include-file-used List

Include File -----	Module Name -----
	SELDBNM
	SELDBRT
	SELDESC
	SELDFPM
	SELDI
	SELDSTP
	SELECNM
	SELECXR
	SELHOST
	SELHP
	SELHSTS
	SELIKEY
	SELKCM
	SELKMA
	SELMODS
	SELMREC
	SELMTAG
	SELPARM
	SELPEC
	SELRCNM
	SELRELC
	SELRELL
	SELRMAP
	SELRSET
	SELRTPM
	SELSTM
	SELTGEC
	SELUNIN
	SELURT
	SETOUT
	STARTBL

DOCGROUP PS41100 Where-include-file-used List

Include File -----	Module Name -----
	STRINS
	STRQCRF
	TERATTR
	TERDIR
	TERKEY
	TERREL
	TERSIM
	TERSTR
	TRADIR
	TRAFIL
	TRMDDL
	UPD1PSB
	UPDAUCS
	UPDIND
	UPDRULE
	UPDSMOD
	UPDTRD
	VALDROP
	VALDTN
	VALROJ
	VALVWRC
	VERACDT
	VERACNM
	VERAIM
	VERAIMD
	VERAIMR
	VERAISM
	VERALG
	VERALGI
	VERALI
	VERALMP

DOCGROUP PS41100 Where-include-file-used List

Include File -----	Module Name -----
	VERAODM
	VERAPDF
	VERAPRM
	VERAREA
	VERARL
	VERATAG
	VERATT
	VERATTP
	VERAUC
	VERCMSV
	VERCMU
	VERCR
	VERCRC
	VERCRDA
	VERCRNM
	VERCRTC
	VERDB
	VERDBA
	VERDBAA
	VERDBAL
	VERDBAS
	VERDBH
	VERDBMS
	VERDBRL
	VERDBRT
	VERDBST
	VERDF
	VERDFDT
	VERDFID
	VERDFLD
	VERDFPA

DOCGROUP PS41100 Where-include-file-used List

Include File -----	Module Name -----
	VERDFUS
	VERDI
	VERIDN
	VERIDT
	VERIID
	VERIPA
	VERDOM
	VERDPSB
	VERDSCT
	VERDSL3
	VERDSTP
	VERDT
	VERDTD
	VERDTFL
	VERDTN
	VERDTYP
	VERDUNI
	VERECN
	VERECR
	VERECRT
	VERENT
	VERENTP
	VERERMD
	VERFJOB
	VERHORZ
	VERHPDF
	VERHPN
	VERHPST
	VERHST
	VERHZP
	VERIREL

DOCGROUP PS41100 Where-include-file-used List

Include File -----	Module Name -----
	VERITAG
	VERKC
	VERKCM
	VERKCMG
	VERKCT
	VERKCT1
	VERKW
	VERKWE
	VERKWR
	VERLR
	VERLUW
	VERMAPD
	VERMOD
	VERMPDF
	VERMPDT
	VERMUNI
	VERNMA
	VERNME
	VEROAC
	VERPAM
	VERPART
	VERPASS
	VERPCB
	VERPSB
	VERRCB
	VERRCBS
	VERRCC
	VERRCMP
	VERRCNM
	VERRCST
	VERRCT

DOCGROUP PS41100 Where-include-file-used List

Include File -----	Module Name -----
	VERREC
	VERRNG
	VERROJ
	VERROJR
	VERRPS
	VERRSET
	VERRSUS
	VERRT
	VERRTID
	VERRTNO
	VERRULE
	VERSCH
	VERSDT
	VERSMOD
	VERSMS
	VERSTID
	VERTAG
	VERTAP
	VERTAUC
	VERTKCM
	VERTMAP
	VERTPDI
	VERTYP
	VERUDT
	VERUDTN
	VERUNIN
	VERVAL
	VERVIEW
	VERVWQU
	VMODPRM
	VOMAPS

DOCGROUP PS41100 Where-include-file-used List

Include File -----	Module Name -----
	WRDSFL
	WRTACKW
	WRTALG
	WRTALI
	WRTANAM
	WRTDITM
	WRTECKW
	WRTENAM
	WRTOAT
	WRTSLCT
	WRTWHCL
SRVRET	
	ADDKWA
	ADDKWE
	ADDKWR
	ADDMIG
	ADDMIGC
	ALLDB
	ALLDOM
	ALLDT
	ALLMENT
	ALLMREC
	ALLREC
	ALLRNG
	ALLSET
	ALI VALU
	ALLVIEW
	ALT1ERT
	AOACREC
	AOACTAG
	BLKCL1



DOCGROUP PS41100 Where-include-file-used List

Include  
File  
-----

Module  
Name  
-----

BLKCLST  
CATFROM  
CHKATT  
CHKCAT  
CHKCDOM  
CHKCMPX  
CHKHPRT  
CHKMKM  
CHKREL  
CHKRELC  
CHKRNG  
CHKSTMP  
CHKVAL  
CMBACAL  
CMBALI  
CMBEKW  
CMBOA  
CMBRKW  
CMCOUNT  
CMPCRDA  
COPAALI  
COPAKW  
COPCKW  
COPEKW  
COPOA  
COPRKW  
COPVALI  
COPYAC  
DEL1AIM  
DEL1ERT  
DELAAA

DOCGROUP PS41100 Where-include-file-used List

Include File -----	Module Name -----
	DELAACON
	DELAPRM
	DELAREA
	DELCONI
	DELDDBDF
	DELDDBRT
	DELDDBST
	DELDIV
	DELDOM
	DELDSCCT
	DELDT
	DELDTD
	DELDTNO
	DELECON
	DELECRF
	DELHPN
	DELHPNA
	DELMKDC
	DELMDCRC
	DELOAC
	DELPARM
	DELPDI
	DELQCRF
	DELQCTG
	DELSMOD
	DELUNIN
	DELVIEW
	DEPFROM
	DEPKCM
	DEPKCM1
	DLMDAUC

DOCGROUP PS41100 Where-include-file-used List

Include File -----	Module Name -----
	DOMUSAG
	DRPAC
	DRPALTG
	DRPCRE
	DRPCRE1
	DRPDIV
	DRPECRT
	DRPMGKM
	DRPMGRC
	DRPPRF1
	DRPRCE
	DRPRNG
	DRPRNGA
	DRPRULE
	DRPVAL
	DRPVALA
	DRPVMOD
	ECRTALL
	ECRTCHK
	FCOPATT
	FINDDOM
	FND1MEM
	FNDACM
	FNDASA
	FNDASM
	FNDAUC
	FNDECCM
	FNDECCR
	FNDECM
	FNDECM1
	FNDOAC

DOCGROUP PS41100 Where-include-file-used List

Include File -----	Module Name -----
	FNDRCM
	GEN1DSC
	GENAKW
	GENCAT
	GENCMPX
	GENCRPT
	GENCRUN
	GENDEP
	GENDESC
	GENEHP
	GENEKW
	GENEUN
	GENFROM
	GENGENC
	GENIND
	GENKEY
	GENOA
	GENRKW
	GENTODF
	GENTOST
	GETACAL
	GETCARD
	GETCRID
	GETDFSL
	GETDOM
	GETDTN
	GETECAL
	GETECS
	GETMEMB
	GETRCID
	GDTTYP

DOCGROUP PS41100 Where-include-file-used List

Include File -----	Module Name -----
	INDFROM
	INSAPRM
	INSAREA
	INSCOPA
	INSDAA
	INSDB
	INSDESC
	INSDFPA
	INSDI
	INSDIPA
	INSDOM
	INSDSCT
	INSDT
	INSECRF
	INSKC
	INSPARM
	INSPART
	INSPCB
	INSPDI
	INSPWRD
	INSQCRF
	INSQCTG
	INSRNG
	INSRTPA
	INSRTYP
	INSSCH
	INSSMOD
	INSTGPA
	INSUNIN
	INSVAL
	INSVIEW

DOCGROUP PS41100 Where-include-file-used List

Include  
File  
-----

Module  
Name  
-----

INSVMOD  
KEYLOOK  
MGENOA  
MODACEC  
MODATT  
MODAUCE  
MODDBAL  
MODENT  
MODKC  
MODLOC  
MODOATT  
MODPCB  
MODPWRD  
MODSCH  
OLDTAGM  
RACKW2  
RECKW2  
RELKW  
RETACKW  
RETATTR  
RETDT  
RETECKW  
RETRAC1  
RETRAC2  
RETRACP  
RETRCKW  
RETREC1  
RETREC2  
RETRECP  
RETRNGA  
RETSTD

DOCGROUP PS41100 Where-include-file-used List

Include File -----	Module Name -----
	RETVALA
	RETVMOD
	RRCKW2
	SEL1DSC
	SELACNM
	SELAIMP
	SELAIMT
	SELAPRM
	SELCATC
	SELCATM
	SELCRAD
	SELDB
	SELDBAA
	SELDBMS
	SELDBNM
	SELDESC
	SELDFPM
	SELDSTP
	SELECNM
	SELECXR
	SELHP
	SELIKEY
	SELKCM
	SELKMA
	SELMREC
	SELMTAG
	SELPARM
	SELPEC
	SELRCNM
	SELRELC
	SELRELL

DOCGROUP PS41100 Where-include-file-used List

Include File -----	Module Name -----
	SELRMAP
	SELRSET
	SELRTPM
	SELSTM
	SELTGEC
	SELUNIN
	SELURT
	UPDIND
	UPDSMOD
	UPDTRD
	VALVWRC
	VERACDT
	VERACNM
	VERAIM
	VERAIMD
	VERALG
	VERALGI
	VERALI
	VERALMP
	VERAODM
	VERAPDF
	VERAPRM
	VERAREA
	VERARL
	VERATT
	VERATTP
	VERAUC
	VERCMSV
	VERCMU
	VERCR
	VERCRC



DOCGROUP PS41100 Where-include-file-used List

Include File -----	Module Name -----
	VERCRDA
	VERCRNM
	VERCRTC
	VERDB
	VERDBA
	VERDBAA
	VERDBAL
	VERDBAS
	VERDBRL
	VERDBRT
	VERDBST
	VERDF
	VERDFDT
	VERDFID
	VERDFLD
	VERDFPA
	VERDFUS
	VERDI
	VERIDN
	VERIDT
	VERIID
	VERDIPA
	VERDOM
	VERDPSB
	VERDSCT
	VERDSL3
	VERDSTP
	VERDT
	VERDTD
	VERDTFL
	VERDTN

DOCGROUP PS41100 Where-include-file-used List

Include File -----	Module Name -----
	VERDTYP
	VERDUNI
	VERECN
	VERECR
	VERENT
	VERENTP
	VERERMD
	VERHORZ
	VERHPN
	VERITAG
	VERKC
	VERKCM
	VERKCMG
	VERKCT
	VERKCT1
	VERKW
	VERKWE
	VERKWR
	VERLR
	VERLUW
	VERMAPD
	VERMOD
	VERMPDF
	VERMPDT
	VERMUNI
	VERNMA
	VERNME
	VEROAC
	VERPAM
	VERPART
	VERPASS

DOCGROUP PS41100 Where-include-file-used List

Include File -----	Module Name -----
	VERPCB
	VERRCB
	VERRCBS
	VERRCC
	VERRCMP
	VERRCNM
	VERRCST
	VERRCT
	VERRER
	VERRNG
	VERRPS
	VERRSET
	VERRSUS
	VERRT
	VERTID
	VERTNO
	VERSCH
	VERSDT
	VERSMOD
	VERSMS
	VERSTID
	VERTAG
	VERTAP
	VERTAUC
	VERTPDI
	VERTYP
	VERUDT
	VERUDTN
	VERUNIN
	VERVAL
	VERVIEW

DOCGROUP PS41100 Where-include-file-used List

Include File -----	Module Name -----
	VERVWQU WRTACKW WRTALI WRTANAM WRTECKW WRTENAM WRTWHCL
RENLIST	ADDMIG ADDMIGC CKRNLST MKRNL1 MKRNLST
CHKCDM	ADDUNIN ALTAISM ALTTAG ALTUNIN ALTVLRG ALTVMOD AOACHK AOACOPR AOADPM AOAEVAL AOAGAI AOAKC AOAMGDP AOAPICR BLVWLST CDNMOD CDTRNSX

DOCGROUP PS41100 Where-include-file-used List

Include File -----	Module Name -----
	CHKKEYS
	CPDDRAL
	CPDDRSP
	CPDOFAL
	CPDOFSP
	CPYDSTP
	CREATTR
	CRTMACR
	CRTVMOD
	DRPDOM
	DRPUNIN
	FETITAG
	FNDEC
	FNDRCEC
	FNDRCIE
	GENATTR
	GENDCOM
	GENENT2
	GENICOM
	GENREL1
	INSAISM
	INSRULE
	KCINH
	LDECLST
	MALTOAT
	MODAISM
	NEWTAGM
	PRESMIG
	STRQCRF
	TERREL
	TERSTR

DOCGROUP PS41100 Where-include-file-used List

Include File -----	Module Name -----
	TRMDDL UPDRULE VERTKCM WRTOAT
ALGTBL	ALGCHK ALGDTN DEFALG VERPARM
DBTBL	ALLDB CPYDB GENDB SELDB
KEYLIST	ADDEC ADDECNM ADDKCLS ADDKG AKCROW ALLKEY BLECLST BLRCKC BLRCKC1 CHKINH CHKOWN GENALT1 GETECNM MODRCKC MODREL MRGMOD2

DOCGROUP PS41100 Where-include-file-used List

Include File -----	Module Name -----
	NEXTKC NEXTKCM SELIKEY STARTBL
ECLIST	ALLKEY CHKOWN CKDUPEC MRGMOD MRGMOD2
RCDEPKC	ALLKEY ALLREL BLDRCEC BLRCKC BLRCKC1 CESTRUC CHKINH CHKOWN CPYMOD DEPENTD DEPREL DEPREL1 DEPRELA FNDRCEC FNDRCIE GENCNM1 INITRDL KYSTRUC MODRCKC MODREL

DOCGROUP PS41100 Where-include-file-used List

Include File -----	Module Name -----
	MODREL1 MODRELA MRGMOD MRGMOD1 MRGMOD2 STARTBL TERSTR
MDTBL	ALLMENT ALLMREC CHKCMPX CPYMENT CPYMREC GENCMPX GENMAP GENMENT SELMREC SELMTAG
UNTBL	ALLMENT CPYMENT GENEUN GENMENT
HPTBL	ALLMREC CPYMREC GENCRPT SELMREC
ADDPARM	ALLMROJ ALMROJC



DOCGROUP PS41100 Where-include-file-used List

Include  
File  
-----

Module  
Name  
-----

CPY1HST  
CPY1SMD  
ECLOOK  
GENMROJ  
GENPSB  
GENVIEW  
GTCNTPR  
WRTALG  
WRTDITM  
WRTSLCT  
WRTWHCL

EOD

ALLATT  
ALLCSET  
ALLEN  
ALLMCAT  
ALLMREL  
ALLREL  
ALLRSET  
BLDRCEC  
BLOOPCK  
CDNMOD  
CHKKEYS  
CHKLOOP  
CMPTAGS  
COPTOPE  
CRCLASA  
CRCLASS  
DELZIA  
DELCRIP  
DELCRP1

DOCGROUP PS41100 Where-include-file-used List

Include File -----	Module Name -----
	DELDFL2
	DELMIGK
	DELMTKC
	DEPEC
	DEPENT
	DEPREL
	DEPREL1
	DEPRELA
	DLMIGRC
	DMIGKKC
	DMIGKRC
	DPKCLST
	ECSTRUC
	FETITAG
	FREGECLST
	FRETAGLST
	INSGECLST
	INSTAGLST
	KCINH
	MODIAUC
	MODREL
	MODREL1
	MODRELA
	MRGMOD2
	MRGNODE
	NEWTAGM
	NRGET
	RCLASA
	RCLASS
	RETRFLD
	SELIAUC

DOCGROUP PS41100 Where-include-file-used List

Include File -----	Module Name -----
	SELSET SELSETC STARTBL TLOOPCK TOPNODE VERATAG VERIREL VERTKCM
DEPECL	ALLREL BLDRCEC BLRCKC BLRCKC1 CPYMOD DEPEC DEPENTD FNDEC GENCNM2 GENGENC GENIND KYSTRUC LDECLST MODENT MODKC MODOATT MODRCKC MRGMOD2 STARTBL TERREL TERSTR WRTOAT

DOCGROUP PS41100 Where-include-file-used List

Include File -----	Module Name -----
CHKMODL	ALTCAT ALTENT ALTREL CMBENT COPATT COPENT CRTATT CRTCAT CRTENT CRTRELA
MACDAT	ALTVMOD CRTMACR CRTVMOD
SBSTLST	ALTVMOD CRTMACR CRTVMOD VERFJOB
ERRFS	ALTVMOD CRTMACR CRTVMOD LOADESC VERFJOB
OLDTAGT	AOACHK AOACOPR AOADPM AOAEVAL

DOCGROUP PS41100 Where-include-file-used List

Include File -----	Module Name -----
	OLDTAGM PREMIG SELKCMA
KCNAMET	AOAEVAL AOAKC
NEWTAGT	AOAEVAL AOAKC AOAMGDP NEWTAGM
KWDTBL	ATTKW ENTKW RACKW2 RECKW2 RELKW RETACKW RETECKW RETRCKW RRCKW2
ATTRNOS	BLVWLST CRTVIEW
CSQCLST	BLVWLST CDTRNSX CRTVIEW P1FROM REVIEW STRQCRF

DOCGROUP PS41100 Where-include-file-used List

Include File -----	Module Name -----
BOOLST	VALVWRC
	BLVWLST
	CDTRNSX
	CRTVIEW
	REVIEW
	STRQCRF
VWFROM	
	BLVWLST
	CRTVIEW
	P1FROM
	REVIEW
	VALVWRC
VWDI	
	BLVWLST
	CRTVIEW
	P1FROM
	PNOFROM
	REVIEW
VWRETR	
	BLVWLST
	CRTVIEW
	P1FROM
	PNOFROM
	REVIEW
	SMVIEW
RELTBL	
	CATFROM
	CERELS
	CMBENT
	DEPFROM

DOCGROUP PS41100 Where-include-file-used List

Include File -----	Module Name -----
	FRTOREL GENFROM INDFROM
SDLIST	CDP4A VALROJ VALVWRC
AUPTBL	CHKCMPX GENCMPX GENDALG SELAPRM
RTPTBL	CHKCMPX GENCMPX GENDALG SELRTPM
DFPTBL	CHKCMPX GENCMPX GENDALG SELDFPM
KCLIST	COPYAC ICOPENT KEYLOOK TERATTR TERKEY
ECRTBL	CPYMREC GENCREC

DOCGROUP PS41100 Where-include-file-used List

Include File -----	Module Name -----
TAGTBL	SELMREC
FLDELST	DRPALG SAVTAGS
ECTBL	DRPSMOD
RCTBL	ECLOOK GENVIEW SELECXR WRTSLCT WRTWHCL
UPDTGLS	ECLOOK
LISTREL	FETITAG KCMSUBS KEYSUB
ADDTGLS	FRTOREL SELRCNM
DRPTGLS	KCMSUBS KEYSUB
STDIO	KCMSUBS KEYSUB ADDNODE BLOOPCK DELCRIP



DOCGROUP PS41100 Where-include-file-used List

Include File -----	Module Name -----
	DELCP1
	DELMIGK
	DEPENT
	DLMIGRC
	DMIGKKC
	DMIGKRC
	DPKCLST
	ECSTRUC
	ERRRPT
	ERRTRAP
	FREELST
	FREGECLST
	FRELST1
	FRELST2
	FRETAGLST
	GETNCHR
	INSGECLST
	INSNODE
	INSORDR
	INSTAGLST
	LOOPDEP
	NDDL/MAIN
	NFLCLOS
	NFLOPEN
	SETGLOB
	STRTLST
	TLOOPCK
	UERROR
	UINDDL/MAIN
	UWARN
	WRTLIN

DOCGROUP PS41100 Where-include-file-used List

Include File -----	Module Name -----
	YYERROR
	YYNULL
	YYPARSE
LLIST	YYWRAP
	ADDNODE
	BLOOPCK
	DLMIGRC
	DMIGKKC
	DMIGKRC
	FREELST
	FRELST1
	FRELST2
	INSNODE
	INSORDR
	LOOPDEP
	STRTLST
CSTD TYP	TLOOPCK
	ALTATT
	CHGDOM
	CHKLOOP
	DELAUC
	DELAUCK
	DELCRIP
	DELCRP1
	DELMIGK
	DELMTKC
	DELTXT
	DESCRB
	DLMIGRC

DOCGROUP PS41100 Where-include-file-used List

Include File -----	Module Name -----
	DMIGKRC
	DMIGKRC
	FREGECLST
	FRETAGLST
	GETNCHR
	INSGECLST
	INSTAGLST
	MAPRC
	RDDESC
	TXTTYP
	VEROBJ
	VEROBJ1
	VROBJ
	VROBJ1
LISTID	
	ALTATT
	CHGDOM
	CPYDES
	DESCRB
	HALT
	SETCOMM
	TXTTYP
	VEROBJ
	VEROBJ1
	VROBJ
	VROBJ1
	YYERROR
	YYNULL
	YYPARSE
CMDID	YYWRAP

DOCGROUP PS41100 Where-include-file-used List

Include File -----	Module Name -----
	BRANCHR ERRTRAP NDDL/MAIN PROCMD UINDDL/MAIN YYERROR YYNULL YYPARSE YYWRAP
NDDLEX	ADDNCORR ADD_CORR ADD_TO_CNT ADD_TO_LST BRANCHR CPFCOR CPFNXT CPFONE CPFVAL ERRRPT ERRTRAP GETNCHR HALT HOOK_FORM INITCMD INITSES NDDL/MAIN NFLCLOS NFLOPEN PROCMD SETCOMM

DOCGROUP PS41100 Where-include-file-used List

Include File -----	Module Name -----
	SETGLOB
	TERMSES
	UERROR
	UINDDL/MAIN
	UWARN
	WRTLIN
	YYERROR
	YNULL
	YYPARSE
	YYWRAP
LISTSEX	
	ADDNCORR
	ADD_CORR
	ADD_TO_CNT
	ADD_TO_LST
	CPFCOR
	CPFNXT
	CPFONE
	CPFVAL
	INITCMD
	YYERROR
	YNULL
	YYPARSE
	YYWRAP
CMDIDEX	
	ERRRPT
	UERROR
	UWARN
FORMSEX	
FPPARM	GETNCHR

DOCGROUP PS41100 Where-include-file-used List

Include File -----	Module Name -----
FPCODE	HOOK FORM INITSES PROCMD
OK	HOOK FORM INITSES PROCMD
CTYPE	HOOK FORM INITSES PROCMD
SIGNAL	LOWUPP
LISTS	ERRTRAP NDDL/MAIN UINDDL/MAIN
NDDLAC.INP"	ERRTRAP NDDL/MAIN UINDDL/MAIN
ATTRID	YYERROR YYNULL YYPARSE YYWRAP
	YYERROR YYNULL YYPARSE YYWRAP

DOCGROUP PS41100 Where-include-file-used List

Include File -----	Module Name -----
FORMS	YYERROR YYNULL YYPARSE YYWRAP
NDMLSTB	YYERROR YYNULL YYPARSE YYWRAP
NDDLEXY	YYERROR YYNULL YYPARSE YYWRAP
FNMNIO	PROCMD

3.10.2 Where External Routine Used List

The following lists each external function or routine in the documentation group and all the documented modules which call it. The purpose of each module is listed as well.

DOCGROUP PS41100 Where-external-routine-used List

System Module -----	Module Name -----
ERRPRO	ADDFLDS ADDKWA ADDKWE ADDKWR ADDMAP ADDMIG ADDMIGC ADDOAC ADD_TO_CNT ADD_TO_LST ALGCHK ALGDTN ALLDB ALLDBMS ALLDOM ALLDT ALLECRT ALLKEY ALLMENT ALLMREC ALLMROJ ALLREC ALLREL ALLRNG ALLSET ALLVALU ALLVIEW ALMROJC ALT1ERT ALTAISM



DOCGROUP PS41100 Where-external-routine-used List

System Module -----	Module Name -----
	ALTCODL
	ALTDB
	ALTDBMS
	ALTDDBT
	ALTENTK
	ALTFLDS
	ALTHST
	ALTIMS
	ALTMAP
	ALTORCL
	ALTPART
	ALTPSB
	ALTREC
	ALTSMAP
	ALTTAG
	ALTVMOD
	AOACHK
	AOACOPR
	AOACREC
	AOACTAG
	AOADPM
	AOAEVAL
	AOAGAI
	AOAKC
	AOAMGDP
	AOAPICR
	ATTKW
	BLDRCEC
	BLKCL1
	BLKCLST
	BLRCKC

DOCGROUP PS41100 Where-external-routine-used List

System Module -----	Module Name -----
	BLRCKC1
	BLVWLST
	BRANCHR
	CATFROM
	CDNMOD
	CDP4A
	CDTRNSX
	CERELS
	CESTRUC
	CHKATT
	CHKAUCV
	CHKCAT
	CHKCDOM
	CHKCMPX
	CHKHPRT
	CHKKEYS
	CHKMKM
	CHKMOD
	CHKREL
	CHKRELC
	CHKRNG
	CHKSTMP
	CHKVAL
	CMBACAL
	CMBALI
	CMBEKW
	CMBENT
	CMBOA
	CMBRKW
	CMCOUNT
	CMPCRDA

DOCGROUP PS41100 Where-external-routine-used List

System Module -----	Module Name -----
	CMPMOD
	COMMIT
	COPAALI
	COPAKW
	COPATT
	COPCKW
	COPEKW
	COPEWT
	COPOA
	COPRKW
	COPVALI
	COPYAC
	CPDDRAL
	CPDDRSP
	CPDOFAL
	CPDOFSP
	CPY1HST
	CPY1SMD
	CPYDB
	CPYDBMS
	CPYDOM
	CPYDSTP
	CPYHST
	CPYMAP
	CPYMCAT
	CPYMENT
	CPYMODU
	CPYMREC
	CPYMREL
	CPYMSET
	CPYREC

DOCGROUP PS41100 Where-external-routine-used List

System  
Module  
-----

Module  
Name  
-----

CPYSET  
CPYVIEW  
CREATTR  
CRTDSCR  
CRTMACR  
CRTMAP  
CRTMOD  
CRTPART  
CRTVMOD  
DBLOOK  
DEFALG  
DEFAREA  
DEFCODL  
DEFDB  
DEFDBMS  
DEFHST  
DEFIMS  
DEFORCL  
DEFPSB  
DEFREC  
DEL1AIM  
DEL1ASM  
DEL1ERT  
DEL1PDF  
DEL1PRF  
DELAAA  
DELAON  
DELAISM  
DELAPRM  
DELAREA  
DELASM

DOCGROUP PS41100 Where-external-routine-used List

System Module -----	Module Name -----
	DELCONI
	DELBDF
	DELDBH
	DELDBMS
	DELDBRT
	DELDBST
	DELDIR
	DELDOM
	DELDST
	DELDT
	DELDTD
	DELDTNO
	DELECON
	DELECRF
	DELFLDS
	DELHPN
	DELHPNA
	DELHST
	DELMKDC
	DELMDCR
	DELMTAG
	DELOAC
	DELPARM
	DELPDF
	DELPDI
	DELPST
	DELQCRF
	DELQCTG
	DELROJ
	DELROJE
	DELSMOD

DOCGROUP PS41100 Where-external-routine-used List

System Module -----	Module Name -----
	DELUNIN
	DELVIEW
	DEPEC
	DEPEND
	DEPFROM
	DEPKCM
	DEPKCM1
	DEPREL
	DEPREL1
	DEPRELA
	DLMDAUC
	DOMUSAG
	DRPAC
	DRPALG
	DRPALTG
	DRPATT
	DRPCRE
	DRPCRE1
	DRPDB
	DRPDBMS
	DRPDFMP
	DRPDIV
	DRPDSCT
	DRPECRT
	DRPFLD
	DRPHST
	DRPKC
	DRPMAP
	DRPMGKM
	DRPMGRC
	DRPMOD

DOCGROUP PS41100 Where-external-routine-used List

System Module -----	Module Name -----
	DRPPART
	DRPPRF1
	DRPPSB
	DRPRCE
	DRPRNG
	DRPRNGA
	DRPRULE
	DRPSET
	DRPSMAP
	DRPSPRF
	DRPSTMP
	DRPUNIN
	DRPVAL
	DRPVALA
	DRPVMOD
	ECLOOK
	ECRTALL
	ECRTCHK
	ENTKW
	ERRRPT
	FCOPATT
	FCOPENT
	FETITAG
	FILEINS
	FINDDOM
	FLDSEMS
	FND1MEM
	FNDACM
	FNDASA
	FNDASM
	FNDAUC

DOCGROUP PS41100 Where-external-routine-used List

System Module -----	Module Name -----
	FNDEC
	FNDECCM
	FNDECCR
	FNDECCM
	FNDECM1
	FNDOAC
	FNDPDF
	FNDRCEC
	FNDRCIE
	FNDRCM
	FRTOREL
	GEN1DSC
	GENAKW
	GENALG
	GENAREL
	GENATTR
	GENCAT
	GENCMPX
	GENCREC
	GENCRPT
	GENCRUN
	GENDALG
	GENDB
	GENDCOM
	GENDEP
	GENDESC
	GENDOM
	GENDT
	GENECRT
	GENEHP
	GENEKW



DOCGROUP PS41100 Where-external-routine-used List

System  
Module  
-----

Module  
Name  
-----

GENENT1  
GENENT2  
GENEUN  
GENFLD  
GENFROM  
GENGENC  
GENICOM  
GENIND  
GENKEY  
GENMAP  
GENMENT  
GENMREL  
GENMROJ  
GENOA  
GENPSB  
GENREC  
GENREL1  
GENRKW  
GENSET  
GENTODF  
GENTOST  
GENVIEW  
GETACAL  
GETCARD  
GETCRID  
GETCRNM  
GETDBST  
GETDFSL  
GETDOM  
GETDTN  
GETECAL

DOCGROUP PS41100 Where-external-routine-used List

System  
Module  
-----

Module  
Name  
-----  
  
GETECS  
GETMEMB  
GETNNUM  
GETRCID  
GETRCNM  
GETRDH  
GTAUCPR  
GTCNTPR  
GTDIPR  
GDTTYP  
GTVIEWS  
HOOK FORM  
HPNLOOK  
ICOPATT  
ICOPENT  
INDFROM  
INITSES  
INS1PSB  
INS1ROJ  
INSAISM  
INSAPRM  
INSAREA  
INSAUCS  
INSCOPA  
INSDAA  
INSDB  
INSDBH  
INSDBMS  
INSDISC  
INSDFPA  
INSDI

DOCGROUP PS41100 Where-external-routine-used List

System Module -----	Module Name -----
	INSDIPA
	INSDOM
	INSDSCT
	INSDT
	INSECRF
	INSECRT
	INSHST
	INSKC
	INSPARM
	INSPART
	INSPCB
	INSPDF
	INSPDI
	INSPWRD
	INSQCRF
	INSQCTG
	INSRNG
	INSRTPA
	INSRTYP
	INSRULE
	INSSCH
	INSSMOD
	INSTGPA
	INSUNIN
	INSVAL
	INSVIEW
	INSVMOD
	KCINH
	KCMADD
	KCMDRP
	KCMSUBS

DOCGROUP PS41100 Where-external-routine-used List

System Module -----	Module Name -----
	KEYADS
	KEYLOOK
	KEYSUB
	KYSTRUC
	LDECLST
	LOADESC
	MALTOAT
	MAPADF
	MAPAREC
	MAPAROJ
	MAPASET
	MGENOA
	MODAAUC
	MODACEC
	MODAISM
	MODAKCM
	MODATT
	MODAUCE
	MODDBAL
	MODENT
	MODIAUC
	MODKC
	MODKCNM
	MODLOC
	MODOATT
	MODPCB
	MODPWRD
	MODRCKC
	MODREL
	MODREL1
	MODRELA

DOCGROUP PS41100 Where-external-routine-used List

System Module -----	Module Name -----
	MODSCH
	MRGMOD
	MRGMOD1
	MRGMOD2
	NCOMMIT
	NEWTAGM
	NROLBAK
	OLDTAGM
	ORALON
	OUTDESC
	PRESMIG
	PROCMD
	RACKW2
	RECKW2
	RECSEMS
	RELKW
	RETACKW
	RETATTR
	RETDT
	RETECKW
	RETRAC1
	RETRAC2
	RETRACP
	RETRCKW
	RETREC1
	RETREC2
	RETRECP
	RETRFLD
	RETRNGA
	RETSTD
	RETVALA

DOCGROUP PS41100 Where-external-routine-used List

System  
Module  
-----

Module  
Name  
-----

RETVMOD  
ROLBACK  
RRCKW2  
SAVTAGS  
SEL1DSC  
SELACNM  
SELAIMP  
SELAIMT  
SELAISM  
SELAPRM  
SELCATC  
SELCATM  
SELCRAD  
SELCRDN  
SELDB  
SELDBAA  
SELDBMS  
SELDBNM  
SELDBRT  
SELDESC  
SELDFPM  
SELDI  
SELDSTP  
SELECNM  
SELECXR  
SELHOST  
SELHP  
SELHSTS  
SELIKEY  
SELKCM  
SELKMA

DOCGROUP PS41100 Where-external-routine-used List

System Module -----	Module Name -----
	SELMODS
	SELMREC
	SELMTAG
	SELPARM
	SELPEC
	SELRCNM
	SELRELC
	SELRELL
	SELRMAP
	SELRSET
	SELRTPM
	SELSTM
	SELTGEC
	SELUNIN
	SELURT
	SETOUT
	STARTBL
	STRINS
	STRQCRF
	TERATTR
	TERDIR
	TERKEY
	TERREL
	TERSIM
	TERSTR
	TRADIR
	TRAFIL
	TRMDDL
	UINDDL/MAIN
	UPD1PSB
	UPDAUCS

DOCGROUP PS41100 Where-external-routine-used List

System  
Module  
-----

Module  
Name  
-----

UPDIND  
UPDRULE  
UPDSMOD  
UPDTD  
VALDROP  
VALDTN  
VALROJ  
VALVWRC  
VERACDT  
VERACNM  
VERAIM  
VERAIMD  
VERAIMR  
VERAISM  
VERALG  
VERALGI  
VERALI  
VERALMP  
VERAODM  
VERAPDF  
VERAPRM  
VERAREA  
VERARL  
VERATAG  
VERATT  
VERATTP  
VERAUC  
VERCMSV  
VERCMU  
VERCR  
VERCRC



DOCGROUP PS41100 Where-external-routine-used List

System Module -----	Module Name -----
	VERCRDA
	VERCRNM
	VERCRTC
	VERDB
	VERDBA
	VERDBAA
	VERDBAL
	VERDBAS
	VERDBH
	VERDBMS
	VERDBRL
	VERDBRT
	VERDBST
	VERDF
	VERDFDT
	VERDFID
	VERDFLD
	VERDFPA
	VERDFUS
	VERDI
	VERDIDN
	VERDIDT
	VERDIID
	VERDIPA
	VERDOM
	VERDPSB
	VERDSCT
	VERDSL3
	VERDSTP
	VERDT
	VERDTD

DOCGROUP PS41100 Where-external-routine-used List

System  
Module  
-----

Module  
Name  
-----

VERDTFL  
VERDTN  
VERDTYP  
VERDUNI  
VERECN  
VERECR  
VERECRT  
VERENT  
VERENTP  
VERERMD  
VERFJOB  
VERHORZ  
VERHPDF  
VERHPN  
VERHPST  
VERHST  
VERHZP  
VERIREL  
VERITAG  
VERKC  
VERKCM  
VERKCMG  
VERKCT  
VERKCT1  
VERKW  
VERKWE  
VERKWR  
VERLR  
VERLUW  
VERMAPD  
VERMOD

DOCGROUP PS41100 Where-external-routine-used List

System Module -----	Module Name -----
	VERMPDF
	VERMPDT
	VERMUNI
	VERNMA
	VERNME
	VEROAC
	VERPARG
	VERPART
	VERPASS
	VERPCB
	VERPSB
	VERRCB
	VERRCBS
	VERRCC
	VERRCMP
	VERRCNM
	VERRCST
	VERRCT
	VERREC
	VERRNG
	VERROJ
	VERROJR
	VERRPS
	VERRSET
	VERRSUS
	VERRT
	VERRTID
	VERRTNO
	VERRULE
	VERSCH
	VERSDT

DOCGROUP PS41100 Where-external-routine-used List

System Module -----	Module Name -----
	VERSMOD
	VERSMS
	VERSTID
	VERTAG
	VERTAP
	VERTAUC
	VERTKCM
	VERTMAP
	VERTPDI
	VERTYP
	VERUDT
	VERUDTN
	VERUNIN
	VERVAL
	VERVIEW
	VERVWQU
	VMODPRM
	VOMAPS
	WRDSFL
	WRTACKW
	WRTALG
	WRTALI
	WRTANAM
	WRTDITM
	WRTECKW
	WRTENAM
	WRTOAT
	WRTSLCT
	WRTWHCL
OUTFIL	ALTVMOD

DOCGROUP PS41100 Where-external-routine-used List

System Module -----	Module Name -----
	CHKRNG CHKVAL CRTMACR OUTDESC
CLSFIL	ALTVMOD CERELS CESTRUC FILEINS LOADESC OUTDESC VERFJOB
SQLSCA	ALLATT ALLCSET ALLEN ALLMCAT ALLMREL ALLRSET BLDRCEC BLOOPCK CDNMOD CHKKEYS CHKLOOP CMPTAGS COPTOPE CRCLASA CRCLASS DELAC DELACAL DELACKW

DOCGROUP PS41100 Where-external-routine-used List

System Module -----	Module Name -----
	DELACNM
	DELASM1
	DELASM2
	DELAUCL
	DELCIA
	DELCM
	DELCM1
	DELCMP
	DELCMPR
	DELCPRC
	DELCCR
	DELCRIP
	DELCRP1
	DELDAA1
	DELDAA2
	DELDBA1
	DELDBS1
	DELDFL2
	DELDFL3
	DELDSL1
	DELDSL2
	DELDSL3
	DELEC
	DELECAL
	DELECKW
	DELECNM
	DELFLDA
	DELIAUC
	DELIAUK
	DELIRCS
	DELKC

DOCGROUP PS41100 Where-external-routine-used List

System Module -----	Module Name -----
	DELKCM
	DELKCMT
	DELKW
	DELKWAC
	DELKWEC
	DELKWRC
	DELLR
	DELMIGK
	DELMOD
	DELMTKC
	DELOACE
	DELOWAC
	DELPCB
	DELPSWD
	DELRBR1
	DELRBR2
	DELR
	DELRCKW
	DELRST
	DELRST2
	DELRST3
	DELRTY2
	DELSDF1
	DELSN1
	DELSTM1
	DELSTM2
	DELSTM3
	DELTEXT
	DELTX
	DEPEC
	DEPENT

DOCGROUP PS41100 Where-external-routine-used List

System Module -----	Module Name -----
	DEPREL
	DEPREL1
	DLDITAG
	DLDSL2
	DLMIGRC
	DLMTMAP
	DLTPRFA
	DMIGKKC
	DMIGKRC
	DPKCLST
	DRPDF
	ECSTRUC
	FETITAG
	GETNXNO
	INSAC
	INSACNM
	INSAUC
	INSCATM
	INSCATR
	INSCRC
	INSDSL
	INSEC
	INSECNM
	INSIAUC
	INSKCM
	INSKW
	INSKWAC
	INSKWEC
	INSKWRC
	INSLNKR
	INSMOD



DOCGROUP PS41100 Where-external-routine-used List

System Module -----	Module Name -----
	INSOAC
	INSRC
	INSRCRS
	INSRSET
	INSSTM
	INSTFLD
	KCINH
	MODAAUC
	MODACKW
	MODAKCM
	MODAUCE
	MODECKW
	MODIAUC
	MODKCNM
	MODRCKW
	MODREL
	MODREL1
	MODYFLD
	MARGNODE
	NEWTAGM
	NRGET
	ORALON
	RCLASA
	RCLASS
	RETRFLD
	SELIAUC
	SELSET
	SELSETC
	STARTBL
	TLOOPCK
	TOPNODE

DOCGROUP PS41100 Where-external-routine-used List

System Module -----	Module Name -----
	UPDAC
	UPDACAL
	UPDACNM
	UPDAPP
	UPDAUC
	UPDAUCE
	UPDCRNM
	UPDDAA
	UPDDB
	UPDDBH
	UPDDBN
	UPDDDI
	UPDDF
	UPDDFU
	UPDDI
	UPDECAL
	UPDECNM
	UPDEDF
	UPDFDF
	UPDFDFU
	UPDFPDF
	UPDHST
	UPDKCT
	UPDLRNM
	UPDMNAM
	UPDMOD
	UPDMP
	UPDNXNO
	UPDPDF
	UPDPSB
	UPDRAUC

DOCGROUP PS41100 Where-external-routine-used List

System Module -----	Module Name -----
	UPDRCB
	UPDRDFU
	UPDRRCB
	UPDRRS
	UPDRSS
	UPDRSTM
	UPDRT
	UPDSTM
	UPDTCR
	UPDTDOM
	UPDTKW
	UPDTRC
	UPDUDT
	UPDVIEW
	VERATAG
	VERIREL
	VERTKCM
	VTAGAUC
	WRTDESC
SQLBS1	
	BLDRCEC
	CDNMOD
	CHKKEYS
	DEPEC
	DEPREL
	DEPREL1
	FETITAG
	KCINH
	MODAAUC
	MODAKCM
	MODAUCE

DOCGROUP PS41100 Where-external-routine-used List

System Module -----	Module Name -----
	MODIAUC
	MODKCNM
	MODREL
	MODREL1
	NEWTAGM
	RETRFLD
	STARTBL
	VERATAG
	VERIREL
	VERTKCM
SQLSCH	ALLATT
	ALLCSET
	ALLENT
	ALLMCAT
	ALLMREL
	ALLRSET
	BLDRCEC
	BLOOPCK
	CDNMOD
	CHKKEYS
	CHKLOOP
	CMPTAGS
	COPTOPE
	CRCLASA
	CRCLASS
	DELAC
	DELACAL
	DELACKW
	DELACNM
	DELASM1

DOCGROUP PS41100 Where-external-routine-used List

System Module -----	Module Name -----
	DELASM2
	DELAUCL
	DELCIA
	DELCM
	DELCM1
	DELCMP
	DELCMPR
	DELCPRC
	DELCCR
	DELCRIP
	DELCRP1
	DELDA1
	DELDA2
	DELDBA1
	DELDBS1
	DELDFL2
	DELDFL3
	DELDSL1
	DELDSL2
	DELDSL3
	DELEC
	DELECAL
	DELECKW
	DELECNM
	DELFLDA
	DELIAUC
	DELIAUK
	DELIRCS
	DELKC
	DELKCM
	DELKCMT

DOCGROUP PS41100 Where-external-routine-used List

System Module -----	Module Name -----
	DELKW
	DELKWAC
	DELKWEC
	DELKWRC
	DELLR
	DELMIGK
	DELMOD
	DELMTKC
	DELOACE
	DELOWAC
	DELPCB
	DELPSWD
	DELRBR1
	DELRBR2
	DELRC
	DELRCKW
	DELRCS
	DELRST2
	DELRST3
	DELRTY2
	DELSDF1
	DELSN1
	DELSTM1
	DELSTM2
	DELSTM3
	DELTEXT
	DELTX
	DEPEC
	DEPENT
	DEPREL
	DEPREL1

DOCGROUP PS41100 Where-external-routine-used List

System Module -----	Module Name -----
	DLDITAG
	DLDSL2
	DLMIGRC
	DLMTMAP
	DLTPRFA
	DMIGKKC
	DMIGKRC
	DPKCLST
	DRPDF
	ECSTRUC
	FETITAG
	GETNXNO
	INSAC
	INSACNM
	INSAUC
	INSCATM
	INSCATR
	INSCRC
	INSDSL
	INSEC
	INSECNM
	INSIAUC
	INSKCM
	INSKW
	INSKWAC
	INSKWEC
	INSKWRC
	INSLNKR
	INSMOD
	INSOAC
	INSRC

DOCGROUP PS41100 Where-external-routine-used List

System Module -----	Module Name -----
	INSRCRS
	INSRSET
	INSSTM
	INSTFLD
	KCINH
	MODAAUC
	MODACKW
	MODAKCM
	MODAUCE
	MODECKW
	MODIAUC
	MODKCNM
	MODRCKW
	MODREL
	MODREL1
	MODYFLD
	MRGNODE
	NEWTAGM
	NRGET
	RCLASA
	RCLASS
	RETRFLD
	SELIAUC
	SELSET
	SELSETC
	STARTBL
	TLOOPCK
	TOPNODE
	UPDAC
	UPDACAL
	UPDACNM



DOCGROUP PS41100 Where-external-routine-used List

System Module -----	Module Name -----
	UPDAPP
	UPDAUC
	UPDAUCE
	UPDCRNM
	UPDDAA
	UPDDB
	UPDDBH
	UPDDBN
	UPDDDI
	UPDDF
	UPDDFU
	UPDDI
	UPDECAL
	UPDECNM
	UPDEDF
	UPDFDF
	UPDFDFU
	UPDFPDF
	UPDHST
	UPDKCT
	UPDLRNM
	UPDMNAM
	UPDMOD
	UPDMP
	UPDNXNO
	UPDPDF
	UPDPSB
	UPDRAUC
	UPDRCB
	UPDRDFU
	UPDRRCB

DOCGROUP PS41100 Where-external-routine-used List

System  
Module  
-----

Module  
Name  
-----

UPDRRS  
UPDRSS  
UPDRSTM  
UPDRT  
UPDSTM  
UPDTCR  
UPDTDOM  
UPDTKW  
UPDTRC  
UPDU DT  
UPDVIEW  
VERATAG  
VERIREL  
VERTKCM  
VTAGAUC  
WRTDESC

SQLSCC

ALLATT  
ALLCSET  
ALLENT  
ALLMCAT  
ALLMREL  
ALLRSET  
BLDRCEC  
BLOOPCK  
CDNMOD  
CHKKEYS  
CHKLOOP  
CMPTAGS  
COPTOPE  
CRCLASA

DOCGROUP PS41100 Where-external-routine-used List

System Module -----	Module Name -----
	CRCLASS
	DELAC
	DELACAL
	DELACKW
	DELACNM
	DELASM1
	DELASM2
	DELAUCL
	DELCIA
	DELCM
	DELCM1
	DELCMP
	DELCMPR
	DELCPRC
	DELCR
	DELCRIP
	DELCRP1
	DELDA1
	DELDA2
	DELDBA1
	DELDBS1
	DELDFL2
	DELDFL3
	DELDSL1
	DELDSL2
	DELDSL3
	DELEC
	DELECAL
	DELECKW
	DELECNM
	DELFLDA

DOCGROUP PS41100 Where-external-routine-used List

System Module -----	Module Name -----
	DELIAUC
	DELIAUK
	DELIRCS
	DELKRC
	DELKCM
	DELKCMT
	DELKW
	DELKWAC
	DELKWEC
	DELKWRC
	DELLR
	DELMIGK
	DELMOD
	DELMTKC
	DELOACE
	DELOWAC
	DELPCB
	DELPSWD
	DELRBR1
	DELRBR2
	DELRC
	DELRCKW
	DELRCS
	DELRST2
	DELRST3
	DELRTY2
	DELSDF1
	DELSN1
	DELSTM1
	DELSTM2
	DELSTM3

DOCGROUP PS41100 Where-external-routine-used List

System Module -----	Module Name -----
	DELTEXT
	DELTXT
	DEPEC
	DEPENT
	DEPREL
	DEPREL1
	DLDITAG
	DLDSL2
	DLMIGRC
	DLMTMAP
	DLTPRFA
	DMIGKKC
	DMIGKRC
	DPKCLST
	DRPDF
	ECSTRUC
	FETITAG
	GETNXNO
	INSAC
	INSACNM
	INSAUC
	INSCATM
	INSCATR
	INSCRC
	INSDSL
	INSEC
	INSECNM
	INSIAUC
	INSKCM
	INSKW
	INSKWAC

DOCGROUP PS41100 Where-external-routine-used List

System Module -----	Module Name -----
	INSKWEC
	INSKWRC
	INSLNKR
	INSMOD
	INSOAC
	INSRC
	INSRCRS
	INSRSET
	INSSTM
	INSTFLD
	KCINH
	MODAAUC
	MODACKW
	MODAKCM
	MODAUCE
	MODECKW
	MODIAUC
	MODKCNM
	MODRCKW
	MODREL
	MODREL1
	MODYFLD
	MRGNODE
	NEWTAGM
	NRGET
	RCLASA
	RCLASS
	RETRFLD
	SELIAUC
	SELSET
	SELSETC

DOCGROUP PS41100 Where-external-routine-used List

System Module -----	Module Name -----
	STARTBL
	TLOOPCK
	TOPNODE
	UPDAC
	UPDACAL
	UPDACNM
	UPDAPP
	UPDAUC
	UPDAUCE
	UPDCRNM
	UPDDAA
	UPDDB
	UPDDBH
	UPDDBN
	UPDDDI
	UPDDF
	UPDDFU
	UPDDI
	UPDECAL
	UPDECNM
	UPDEDF
	UPDFDF
	UPDFDFU
	UPDFPDF
	UPDHST
	UPDKCT
	UPDLRNM
	UPDMNAM
	UPDMOD
	UPDMP
	UPDNXNO

DOCGROUP PS41100 Where-external-routine-used List

System Module -----	Module Name -----
	UPDPDF
	UPDPSL
	UPDRAUC
	UPDRCB
	UPDRDFU
	UPDRRCB
	UPDRRS
	UPDRSS
	UPDRSTM
	UPDRT
	UPDSTM
	UPDTCR
	UPDTDOM
	UPDTKW
	UPDTRC
	UPDUDT
	UPDVIEW
	VERATAG
	VERIREL
	VERTKCM
	VTAGAUC
	WRTDESC
SQLTOC	
	ALLATT
	ALLCSET
	ALLEN
	ALLMCAT
	ALLMREL
	ALLRSET
	BLDRCEC
	BLOOPCK



DOCGROUP PS41100 Where-external-routine-used List

System Module -----	Module Name -----
	CHKKEYS
	CHKLOOP
	CMPTAGS
	COPTOPE
	CRCLASA
	CRCLASS
	DELCIA
	DELCRIP
	DELCRP1
	DELDL2
	DELMIGK
	DELMTKC
	DEPEC
	DMIGRC
	DMIGKRC
	DMIGKRC
	DPKCLST
	FETITAG
	GETNXNO
	KCINH
	MRGNODE
	NEWTAGM
	NRGET
	RCLASA
	RCLASS
	RETRFLD
	SELIAUC
	SELSET
	SELSETC
	STARTBL
	TLOOPCK

DOCGROUP PS41100 Where-external-routine-used List

System Module -----	Module Name -----
	TOPNODE
	VERIREL
	VERTKCM
SQLSQ	
	ALLATT
	ALLCSET
	ALLENT
	ALLMCAT
	ALLMREL
	ALLRSET
	BDRCEC
	BLOPCK
	CDNMOD
	CHKKEYS
	CHKLOOP
	CMPTAGS
	COPTOPE
	CRCLASA
	CRCLASS
	DELAC
	DELACAL
	DELACKW
	DELACNM
	DELASM1
	DELASM2
	DELAUCL
	DELZIA
	DELCM
	DELCM1
	DELCMP
	DELCMPR

DOCGROUP PS41100 Where-external-routine-used List

System Module -----	Module Name -----
	DELCPRC
	DELCR
	DELCRIP
	DELCRP1
	DELDA1
	DELDA2
	DELDBA1
	DELDBS1
	DELDFL2
	DELDFL3
	DELDSL1
	DELDSL2
	DELDSL3
	DELEC
	DELECAL
	DELECKW
	DELECNM
	DELFLDA
	DELIAUC
	DELIAUK
	DELIRCS
	DELKC
	DELKCM
	DELKCMT
	DELKW
	DELKWAC
	DELKWEC
	DELKWRC
	DELLR
	DELMIGK
	DELMOD

DOCGROUP PS41100 Where-external-routine-used List

System Module -----	Module Name -----
	DELMTKC
	DELOACE
	DELOWAC
	DELPCB
	DELPSWD
	DELRBR1
	DELRBR2
	DELRC
	DELRCKW
	DELRCS
	DELRST2
	DELRST3
	DELRTY2
	DELSDF1
	DELSN1
	DELSTM1
	DELSTM2
	DELSTM3
	DELTEXT
	DELTX
	DEPEC
	DEPENT
	DEPREL
	DEPREL1
	DLDTAG
	DLDSL2
	DLMIGRC
	DLMTMAP
	DLTPRFA
	DMIGKKC
	DMIGKRC

DOCGROUP PS41100 Where-external-routine-used List

System Module -----	Module Name -----
	DPKCLST
	DRPDF
	ECSTRUC
	FETITAG
	GETNXNO
	INSAC
	INSACNM
	INSAUC
	INSCATM
	INSCATR
	INSCRC
	INSDSL
	INSEC
	INSECNM
	INSIAUC
	INSKCM
	INSKW
	INSKWAC
	INSKWEC
	INSKWRC
	INSLNKR
	INSMOD
	INSOAC
	INSRC
	INSRCRS
	INSRSET
	INSSTM
	INSTFLD
	KCINH
	MODAAUC
	MODACKW

DOCGROUP PS41100 Where-external-routine-used List

System Module -----	Module Name -----
	MODAKCM
	MODAUCE
	MODECKW
	MODIAUC
	MODKCNM
	MODRCKW
	MODREL
	MODREL1
	MODYFLD
	MRGNODE
	NEWTAGM
	NRGET
	RCLASA
	RCLASS
	RETRFLD
	SELIAUC
	SELSET
	SELSETC
	STARTBL
	TLOOPCK
	TOPNODE
	UPDAC
	UPDACAL
	UPDACNM
	UPDAPP
	UPDAUC
	UPDAUCE
	UPDCRNM
	UPDDAA
	UPDDB
	UPDDBH

DOCGROUP PS41100 Where-external-routine-used List

System Module -----	Module Name -----
	UPDDBN
	UPDDDI
	UPDDF
	UPDDFU
	UPDDI
	UPDECAL
	UPDECNM
	UPDEF
	UPDFDF
	UPDFDFU
	UPDFPDF
	UPDHST
	UPDKCT
	UPDLRNM
	UPDMNAM
	UPDMOD
	UPDMP
	UPDNXNO
	UPDPDF
	UPDPSB
	UPDRAUC
	UPDRCB
	UPDRDFU
	UPDRRCB
	UPDRRS
	UPDRSS
	UPDRSTM
	UPDRT
	UPDSTM
	UPDTCR
	UPDTDOM

DOCGROUP PS41100 Where-external-routine-used List

System Module -----	Module Name -----
	UPDTKW
	UPDTRC
	UPDUDT
	UPDVIEW
	VERATAG
	VERIREL
	VERTKCM
	VTAGAUC
	WRTDESC
SQLADR	
	BLDRCEC
	CDNMOD
	CHKKEYS
	DEPEC
	DEPREL
	DEPREL1
	FETITAG
	KCINH
	MODAAUC
	MODAKCM
	MODAUCE
	MODIAUC
	MODKCNM
	MODREL
	MODREL1
	NEWTAGM
	ORALON
	RETRFLD
	STARTBL
	VERATAG
	VERIREL



DOCGROUP PS41100 Where-external-routine-used List

System Module -----	Module Name -----
SQLAB1	VERTKCM
	BLDRCEC
	CDNMOD
	CHKKEYS
	DEPEC
	DEPREL
	DEPREL1
	FETITAG
	KCINH
	MODAAUC
	MODAKCM
	MODAUCE
	MODIAUC
	MODKCNM
	MODREL
	MODREL1
	NEWTAGM
	RETRFLD
	STARTBL
	VERATAG
	VERIREL
	VERTKCM
SQLEXE	
	ALLATT
	ALLCSET
	ALLEN
	ALLMCAT
	ALLMREL
	ALLRSET
	BLDRCEC

DOCGROUP PS41100 Where-external-routine-used List

System Module -----	Module Name -----
	BLOOPCK
	CDNMOD
	CHKKEYS
	CHKLOOP
	CMPTAGS
	COPTOPE
	CRCLASA
	CRCLASS
	DELAC
	DELACAL
	DELACKW
	DELACNM
	DELASM1
	DELASM2
	DELAUCL
	DELCIA
	DELCM
	DELCM1
	DELCMP
	DELCMPR
	DELCPRC
	DELCR
	DELCRIP
	DELCRP1
	DELDAA1
	DELDAA2
	DELDBA1
	DELDBS1
	DELDFL2
	DELDFL3
	DELDSL1

DOCGROUP PS41100 Where-external-routine-used List

System Module -----	Module Name -----
	DELDSL2
	DELDSL3
	DELEC
	DELECAL
	DELECKW
	DELECNM
	DELFLDA
	DELIAUC
	DELIRCS
	DELKC
	DELKCM
	DELKCMT
	DELKW
	DELKWAC
	DELKWEC
	DELKWRC
	DELLR
	DELMIGK
	DELMOD
	DELMTKC
	DELOACE
	DELOWAC
	DELPCB
	DELPSWD
	DELRBR1
	DELRBR2
	DELRC
	DELRCKW
	DELRCS
	DELRST2

DOCGROUP PS41100 Where-external-routine-used List

System Module -----	Module Name -----
	DELRST3
	DELRTY2
	DELSDF1
	DELSN1
	DELSTM1
	DELSTM2
	DELSTM3
	DELTEXT
	DELTXT
	DEPEC
	DEPENT
	DEPREL
	DEPREL1
	DLDITAG
	DLDSL2
	DLMIGRC
	DLMTMAP
	DLTPRFA
	DMIGKRC
	DMIGKRC
	DPKCLST
	DRPDF
	ECSTRUC
	FETITAG
	GETNXNO
	INSAC
	INSACNM
	INSAUC
	INSCATM
	INSCATR
	INSCRC

DOCGROUP PS41100 Where-external-routine-used List

System Module -----	Module Name -----
	INSDSL
	INSEC
	INSECNM
	INSIAUC
	INSKCM
	INSKW
	INSKWAC
	INSKWEC
	INSKWRC
	INSLNKR
	INSMOD
	INSOAC
	INSRC
	INSRCRS
	INSRSET
	INSSTM
	INSTFLD
	KCINH
	MODAAUC
	MODACKW
	MODAKCM
	MODAUCE
	MODECKW
	MODIAUC
	MODKCNM
	MODRCKW
	MODREL
	MODREL1
	MODYFLD
	MRGNODE
	NEWTAGM

DOCGROUP PS41100 Where-external-routine-used List

System Module -----	Module Name -----
	NRGET
	RCLASA
	RCLASS
	RETRFLD
	SELIAUC
	SELSET
	SELSETC
	STARTBL
	TLOOPCK
	TOPNODE
	UPDAC
	UPDACAL
	UPDACNM
	UPDAPP
	UPDAUC
	UPDAUCE
	UPDCRNM
	UPDDAA
	UPDDB
	UPDDBH
	UPDDBN
	UPDDDI
	UPDDF
	UPDDFU
	UPDDI
	UPDECAL
	UPDECNM
	UPDEDF
	UPDFDF
	UPDFDFU
	UPDFPDF

DOCGROUP PS41100 Where-external-routine-used List

System Module -----	Module Name -----
	UPDHST
	UPDKCT
	UPDLRNM
	UPDMNAM
	UPDMOD
	UPDMP
	UPDNXNO
	UPDPDF
	UPDPSB
	UPDRAUC
	UPDRCB
	UPDRDFU
	UPDRRCB
	UPDRRS
	UPDRSS
	UPDRSTM
	UPDRT
	UPDSTM
	UPDTCR
	UPDTDOM
	UPDTKW
	UPDTRC
	UPDUDT
	UPDVIEW
	VERATAG
	VERIREL
	VERTKCM
	VTAGAUC
	WRTDESC
SQLCLS	ALLATT

DOCGROUP PS41100 Where-external-routine-used List

System Module -----	Module Name -----
	ALLCSET
	ALLEN
	ALLMCAT
	ALLMREL
	ALLRSET
	BLDRCEC
	BLOOPCK
	CHKKEYS
	CHKLOOP
	CMPTAGS
	COPTOPE
	CRCLASA
	CRCLASS
	DELCIA
	DELCRIP
	DELCRP1
	DELDFL2
	DELMIGK
	DELMTKC
	DEPEC
	DLMIGRC
	DMIGKKC
	DMIGKRC
	DPKCLST
	FETITAG
	GETNXNO
	KCINH
	MRCNODE
	NEWTAGM
	NRGET
	RCLASA



DOCGROUP PS41100 Where-external-routine-used List

System Module -----	Module Name -----
	RCLASS RETRFLD SELIAUC SELSET SELSETC STARTBL TLOOPCK TOPNODE VERIREL VERTKCM
SQLAD1	BLDRCEC CHKKEYS DEPEC DEPREL DEPREL1 FETITAG KGINH MODREL MODREL1 NEWTAGM RETRFLD STARTBL VERATAG VERIREL VERTKCM
SQLFCH	ALLATT ALLCSET ALLEN ALLMCAT

DOCGROUP PS41100 Where-external-routine-used List

System Module -----	Module Name -----
	ALLMREL
	ALLRSET
	BLDRCEC
	BLOOPCK
	CHKKEYS
	CHKLOOP
	CMPTAGS
	COPTOPE
	CRCLASA
	CRCLASS
	DELCIA
	DELCRIP
	DELCRP1
	DELDFL2
	DELMIGK
	DELMTKC
	DEPEC
	DEPENT
	DEPREL
	DEPREL1
	DLMIGRC
	DMIGKKC
	DMIGKRC
	DPKCLST
	ECSTRUC
	FETITAG
	GETNXNO
	KCINH
	MODREL
	MODREL1
	MGRNODE

DOCGROUP PS41100 Where-external-routine-used List

System Module -----	Module Name -----
	NEWTAGM
	NRGET
	RCLASA
	RCLASS
	RETRFLD
	SELIAUC
	SELSET
	SELSETC
	STARTBL
	TLOOPCK
	TOPNODE
	VERATAG
	VERIREL
	VERTKCM
	VTAGAUC
GET_FIRST_SYMB	
	BLVWLST
	CRTVIEW
GET_FRST_CHAIN	
	BLVWLST
GET_NEXT_SYMB	
	BLVWLST
SQLTFL	
	CDNMOD
	CRCLASA
	CRCLASS
	DELAC
	DELACAL
	DELACKW
	DELACNM
	DELASM1

DOCGROUP PS41100 Where-external-routine-used List

System Module -----	Module Name -----
	DELASM2
	DELAUCL
	DELCM
	DELCM1
	DELCMP
	DELCMPR
	DELCPRC
	DELCCR
	DELDAA1
	DELDAA2
	DELDBA1
	DELDBS1
	DELDFL3
	DELDSL1
	DELDSL2
	DELDSL3
	DELEC
	DELECAL
	DELECKW
	DELECNM
	DELFLDA
	DELIAUC
	DELIAUK
	DELIRCS
	DELKC
	DELKCM
	DELKCMT
	DELKW
	DELKWAC
	DELKWEC
	DELKWRC

DOCGROUP PS41100 Where-external-routine-used List

System Module -----	Module Name -----
	DELLR
	DELMOD
	DELOACE
	DELOWAC
	DELPCB
	DELPSWD
	DELRBR1
	DELRBR2
	DELRC
	DELRCCKW
	DELRCST
	DELRST2
	DELRST3
	DELRTY2
	DELSDF1
	DELSN1
	DELSTM1
	DELSTM2
	DELSTM3
	DELTEXT
	DELTXT
	DEPENT
	DEPREL
	DEPREL1
	DLDITAG
	DLDSL2
	DLMTMAP
	DLTPRFA
	DRPDF
	ECSTRUC
	INSAC

DOCGROUP PS41100 Where-external-routine-used List

System Module -----	Module Name -----
	INSACNM
	INSAUC
	INSCATM
	INSCATR
	INSCRC
	INSDSL
	INSEC
	INSECNM
	INSIAUC
	INSKCM
	INSKW
	INSKWAC
	INSKWEC
	INSKWRC
	INSLNKR
	INSMOD
	INSOAC
	INSRC
	INSRCRS
	INSRSET
	INSSTM
	INSTFLD
	MODAAUC
	MODACKW
	MODAKCM
	MODAUCE
	MODECKW
	MODIAUC
	MODKCNM
	MODRCKW
	MODREL

DOCGROUP PS41100 Where-external-routine-used List

System Module -----	Module Name -----
	MODREL1
	MODYFLD
	RCLASA
	RCLASS
	UPDAC
	UPDACAL
	UPDACNM
	UPDAPP
	UPDAUC
	UPDAUCE
	UPDCRNM
	UPDDAA
	UPDDB
	UPDDBH
	UPDDBN
	UPDDDI
	UPDDF
	UPDDFU
	UPDDI
	UPDECAL
	UPDECNM
	UPDEDF
	UPDFDF
	UPDFDFU
	UPDFPDF
	UPDHST
	UPDKCT
	UPDLRNM
	UPDMNAM
	UPDMOD
	UPDMP

DOCGROUP PS41100 Where-external-routine-used List

System Module -----	Module Name -----
	UPDNXNO
	UPDPDF
	UPDPSB
	UPDRAUC
	UPDRCB
	UPDRDFU
	UPDRCB
	UPDRRS
	UPDRSS
	UPDRSTM
	UPDRT
	UPDSTM
	UPDTCR
	UPDTDOM
	UPDTKW
	UPDTRC
	UPDUDT
	UPDVIEW
	VERATAG
	VTAGAUC
	WRTDESC
SQLOPN	CDNMOD
	CRCLASA
	CRCLASS
	DELAC
	DELACAL
	DELACKW
	DELACNM
	DELASM1
	DELASM2



DOCGROUP PS41100 Where-external-routine-used List

System Module -----	Module Name -----
	DELAUCL
	DELCM
	DELCM1
	DELCMP
	DELCMPR
	DELCPRC
	DELCR
	DELDAA1
	DELDAA2
	DELDBA1
	DELDBS1
	DELDFL3
	DELDSL1
	DELDSL2
	DELDSL3
	DELEC
	DELECAL
	DELECKW
	DELECNM
	DELFLDA
	DELIAUC
	DELIAUK
	DELIRCS
	DELKC
	DELKCM
	DELKCMT
	DELKW
	DELKWAC
	DELKWEC
	DELKWRC
	DELLR

DOCGROUP PS41100 Where-external-routine-used List

System Module -----	Module Name -----
	DELMOD
	DELOACE
	DELOWAC
	DELPCB
	DELPSWD
	DELRBR1
	DELRBR2
	DELRC
	DELRCKW
	DELRCS
	DELRST2
	DELRST3
	DELRTY2
	DELSDF1
	DELSN1
	DELSTM1
	DELSTM2
	DELSTM3
	DELTEXT
	DELTX
	DEPENT
	DEPREL
	DEPREL1
	DLDTAG
	DLDSL2
	DLMTMAP
	DLTPRFA
	DRPDF
	ECSTRUC
	INSAC
	INSACNM

DOCGROUP PS41100 Where-external-routine-used List

System Module -----	Module Name -----
	INSAUC
	INSCATM
	INSCATR
	INSCRC
	INSDSL
	INSEC
	INSECNM
	INSIAUC
	INSKCM
	INSKW
	INSKWAC
	INSKWEC
	INSKWRC
	INSLNKR
	INSMOD
	INSOAC
	INSRC
	INSRCRS
	INSRSET
	INSSTM
	INSTFLD
	MODAAUC
	MODACKW
	MODAKCM
	MODAUCE
	MODECKW
	MODIAUC
	MODKCNM
	MODRCKW
	MODREL
	MODREL1

DOCGROUP PS41100 Where-external-routine-used List

System Module -----	Module Name -----
	MODYFLD
	RCLASA
	RCLASS
	UPDAC
	UPDACAL
	UPDACNM
	UPDAPP
	UPDAUC
	UPDAUCE
	UPDCRNM
	UPDDAA
	UPDDB
	UPDDBH
	UPDDBN
	UPDDDI
	UPDDF
	UPDDFU
	UPDDI
	UPDECAL
	UPDECNM
	UPDEDF
	UPDFDF
	UPDFDFU
	UPDFPDF
	UPDHST
	UPDKCT
	UPDLRNM
	UPDMNAM
	UPDMOD
	UPDMP
	UPDNXNO

DOCGROUP PS41100 Where-external-routine-used List

System Module -----	Module Name -----
	UPDPDF
	UPDPSB
	UPDRAUC
	UPDRCB
	UPDRDFU
	UPDRRCB
	UPDRRS
	UPDRSS
	UPDRSTM
	UPDRT
	UPDSTM
	UPDTCR
	UPDTDOM
	UPDTKW
	UPDTRC
	UPDUOT
	UPDVIEW
	VERATAG
	VTAGAUC
	WRTDESC
SQLWNR	CDNMOD
	DELAC
	DELACAL
	DELACKW
	DELACNM
	DELASM1
	DELASM2
	DELAUCL
	DELCM
	DELCM1

DOCGROUP PS41100 Where-external-routine-used List

System Module -----	Module Name -----
	DELCMP
	DELCMPR
	DELCPRC
	DELCR
	DELDAA1
	DELDAA2
	DELDBA1
	DELDBS1
	DELDFL3
	DELDSL1
	DELDSL2
	DELDSL3
	DELEC
	DELECAL
	DELECKW
	DELECNM
	DELFLDA
	DELIAUC
	DELIAUK
	DELIRCS
	DELKC
	DELKCM
	DELKCMT
	DELKW
	DELKWAC
	DELKWEC
	DELKWRC
	DELLR
	DELMOD
	DELOACE
	DELOWAC

DOCGROUP PS41100 Where-external-routine-used List

System Module -----	Module Name -----
	DELPCB
	DELPSWD
	DELRBR1
	DELRBR2
	DELRC
	DELRCCKW
	DELRCST
	DELRST2
	DELRST3
	DELRTY2
	DELSDF1
	DELSN1
	DELSTM1
	DELSTM2
	DELSTM3
	DELTEXT
	DELTXT
	DLGITAG
	DLDSL2
	DLMTMAP
	DLTPRFA
	DRPDF
	MODAAUC
	MODACKW
	MODAKCM
	MODAUCE
	MODECKW
	MODIAUC
	MODKCNM
	MODRCKW
	MODYFLD

DOCGROUP PS41100 Where-external-routine-used List

System Module -----	Module Name -----
	UPDAC
	UPDACAL
	UPDACNM
	UPDAPP
	UPDAUC
	UPDAUCE
	UPDCRNM
	UPDDAA
	UPDDB
	UPDDBH
	UPDDBN
	UPDDDI
	UPDDF
	UPDDFU
	UPDDI
	UPDECAL
	UPDECNM
	UPDEDF
	UPDFDF
	UPDFDFU
	UPDFPDF
	UPDHST
	UPDKCT
	UPDLRNM
	UPDMNAM
	UPDMOD
	UPDMP
	UPDNXNO
	UPDPDF
	UPDPSB
	UPDRAUC



DOCGROUP PS41100 Where-external-routine-used List

System Module -----	Module Name -----
	UPDRCB
	UPDRDFU
	UPDRRCB
	UPDRRS
	UPDRSS
	UPDRSTM
	UPDRT
	UPDSTM
	UPDTCR
	UPDTDOM
	UPDTKW
	UPDTRC
	UPDUDT
	UPDVIEW
OPNFIL	
	CERELS
	CESTRUC
	CRTMACR
	FILEINS
	LOADESC
	OUTDESC
	VERFJOB
DEPATT	
	CESTRUC
GETHOST	
	CRTMACR
	VERFJOB
	WRDSFL
GENFIL	
	CRTMACR
	VERFJOB

DOCGROUP PS41100 Where-external-routine-used List

System Module -----	Module Name -----
	WRDSFL
CDPIC8	CRTMACR
APNAME	CRTMACR
SET_LEVEL	CRTVIEW
FREE_SYMTAB	CRTVIEW YYERROR
DEFFLD	DEFREC
SELFLDS	DRPFLD
CDRPXRF	DRPSMOD
CDRPESU	DRPSMOD
CDDGAP	DRPSMOD
INPFIL	FILEINS
DELAKCM	KCMDRP PREMIG
EDITCI	LOADESC
WRTENT	MODENT
SQLLO1	ORALON

DOCGROUP PS41100 Where-external-routine-used List

System Module -----	Module Name -----
CDS01	TRMDDL
CDMACR	CDMACRX VERFJOB
MALLOC	ADDEC ADDECNM ADDKCLS ADDKG ADDNODE INSGECLST INSNODE INSORDR INSTAGLST NRSTORE STRTLST
SPRINTF	ADD_TO_LST AKCROW ALTATT BRANCHR CHGDOM CHKLOOP COMMIT CPYDES DELAUC DELAUCK DELCIA DELCRIP DELCRP1

DOCGROUP PS41100 Where-external-routine-used List

System Module -----	Module Name -----
	DELMIGK
	DELMTKC
	DESCRB
	DLMIGRC
	DMIGKCC
	DMIGKRC
	ERRRPT
	GETNNUM
	HOOK FORM
	INITSES
	MAPRC
	MRGNODE
	NFLOPEN
	PROCMD
	RDDESC
	ROLBACK
	SETGLOB
	VEROBJ
	VEROBJ1
	VROBJ
	VROBJ1
	YYERROR
STRNCPY	ADDECNM
	ADDKCLS
	ADDKG
	ALLATT
	ALLCSET
	ALLENT
	ALLMCAT
	ALLMREL

DOCGROUP PS41100 Where-external-routine-used List

System  
Module  
-----

Module  
Name  
-----

ALLRSET  
ALTATT  
CHGDOM  
CHKLOOP  
CMPTAGS  
CPFCOR  
CPFNXT  
CPFONE  
CPYDES  
CRCLASA  
CRCLASS  
DELACAL  
DELASM2  
DELCMP  
DELDAA2  
DELDFL2  
DELDFL3  
DELDSL2  
DELDSL3  
DELECAL  
DELFLDA  
DELIRCS  
DELRBR2  
DELRST2  
DELRST3  
DELRSTY2  
DELSTM2  
DELSTM3  
DELTEXT  
DELTXT  
DEPENT

DOCGROUP PS41100 Where-external-routine-used List

System Module -----	Module Name -----
	DESCRB
	DLDSL2
	DPKCLST
	ECSTRUC
	GETECNM
	GETGLOB
	INITSES
	INSACNM
	INSAUC
	INSCATM
	INSCATR
	INSDSL
	INSECNM
	INSKW
	INSLNKR
	INSMOD
	INSRC
	INSRCRS
	INSRSET
	INSSTM
	INSTFLD
	MAPRC
	MODYFLD
	NDDL/MAIN
	NEXTKC
	NEXTKCM
	PROCMD
	RCLASA
	RCLASS
	SELIAUC
	SELSET

DOCGROUP PS41100 Where-external-routine-used List

System Module -----	Module Name -----
	SELSETC
	UINDDL/MAIN
	UPDACAL
	UPDACNM
	UPDAPP
	UPDAUC
	UPDCRNM
	UPDDAA
	UPDDB
	UPDDBH
	UPDDBN
	UPDDDI
	UPDDF
	UPDDFU
	UPDDI
	UPDECAL
	UPDECNM
	UPDEF
	UPDFDF
	UPDFDFU
	UPDFPDF
	UPDHST
	UPDKCT
	UPDLRNM
	UPDMNAM
	UPDMOD
	UPDMP
	UPDPDF
	UPDPSB
	UPDRAUC
	UPDRCB

DOCGROUP PS41100 Where-external-routine-used List

System Module -----	Module Name -----
	UPDRDFU
	UPDRRCB
	UPDRRS
	UPDRSS
	UPDRSTM
	UPDRT
	UPDSTM
	UPDTCR
	UPDTDOM
	UPDTKW
	UPDUDT
	UPDVIEW
	VEROBJ1
	VROBJ1
	VTAGAUC
	WRTDESC
	WRTLIN
SQLBS2	ALLATT
	ALLCSET
	ALLEN
	ALLMCAT
	ALLMREL
	ALLRSET
	BLOOPCK
	CHKLOOP
	CMPTAGS
	COPTOPE
	CRCLASA
	CRCLASS
	DELAC



DOCGROUP PS41100 Where-external-routine-used List

System Module -----	Module Name -----
	DELACAL
	DELACKW
	DELACNM
	DELASM1
	DELASM2
	DELAUCL
	DELCIA
	DELCM
	DELCM1
	DELCMP
	DELCMPR
	DELCPRC
	DELCR
	DELCRIP
	DELCRP1
	DELDAA1
	DELDAA2
	DELDBA1
	DELDBS1
	DELDFL2
	DELDFL3
	DELDSL1
	DELDSL2
	DELDSL3
	DELEC
	DELECAL
	DELECKW
	DELECNM
	DELFLDA
	DELIAUC
	DELIAUK

DOCGROUP PS41100 Where-external-routine-used List

System Module -----	Module Name -----
	DELIRCS
	DELKC
	DELKCM
	DELKCMT
	DELKW
	DELKWAC
	DELKWEC
	DELKWRC
	DELLR
	DELMIGK
	DELMOD
	DELMTKC
	DELOACE
	DELOWAC
	DELPCB
	DELPSWD
	DELRBR1
	DELRBR2
	DELRC
	DELRCKW
	DELRST
	DELRST2
	DELRST3
	DELRTY2
	DELSDF1
	DELSN1
	DELSTM1
	DELSTM2
	DELSTM3
	DELTEXT
	DELTEXT

DOCGROUP PS41100 Where-external-routine-used List

System Module -----	Module Name -----
	DEPENT
	DLDITAG
	DLDSL2
	DLMIGRC
	DLMTMAP
	DLTPRFA
	DMIGKRC
	DMIGKRC
	DPKCLST
	DRPDF
	ECSTRUC
	GETNXNO
	INSAC
	INSACNM
	INSAUC
	INSCATM
	INSCATR
	INSCRC
	INSDSL
	INSEC
	INSECNM
	INSIAUC
	INSKCM
	INSKW
	INSKWAC
	INSKWEC
	INSKWRC
	INSLNKR
	INSMOD
	INSOAC
	INSRC

DOCGROUP PS41100 Where-external-routine-used List

System Module -----	Module Name -----
	INSRCRS
	INSRSET
	INSSTM
	INSTFLD
	MODACKW
	MODECKW
	MODRCKW
	MODYFLD
	MRGNODE
	NRGET
	RCLASA
	RCLASS
	SELIAUC
	SELSET
	SELSETC
	TLOOPCK
	TOPNODE
	UPDAC
	UPDACAL
	UPDACNM
	UPDAPP
	UPDAUC
	UPDAUCE
	UPDCRNM
	UPDDAA
	UPDDB
	UPDDBH
	UPDDBN
	UPDDDI
	UPDDF
	UPDDFU

DOCGROUP PS41100 Where-external-routine-used List

System Module -----	Module Name -----
	UPDDI
	UPDECAL
	UPDECNM
	UPDEDF
	UPDFDF
	UPDFDFU
	UPDFPDF
	UPDHST
	UPDKCT
	UPDLRNM
	UPDMNAM
	UPDMOD
	UPDMP
	UPDNXNO
	UPDPDF
	UPDPSB
	UPDRAUC
	UPDRCB
	UPDRDFU
	UPDRRCB
	UPDRRS
	UPDRSS
	UPDRSTM
	UPDRT
	UPDSTM
	UPDTCR
	UPDTDOM
	UPDTKW
	UPDTRC
	UPDUDT
	UPDVIEW

DOCGROUP PS41100 Where-external-routine-used List

System Module -----	Module Name -----
SQLAD2	VTAGAUC WRTDESC  ALLATT ALLCSET ALLEN ALLMCAT ALLMREL ALLRSET BLOOPCK CHKLOOP CMPTAGS COPTOPE CRCLASA CRCLASS DELCIA DELCRIP DELCRP1 DELDL2 DELMIGK DELMTKC DEPENT DLMIGRC DMIGKKC DMIGKRC DPKCLST ECSTRUC GETNXNO MRGNODE NRGET RCLASA

DOCGROUP PS41100 Where-external-routine-used List

System Module -----	Module Name -----
	RCLASS SELIAUC SELSET SELSETC TLOOPCK TOPNODE VTAGAUC
STPNCMP	ALLATT ALLENT CHGDOM CPYDES CRCLASA CRCLASS HOOK FORM INITSES PROCMD SETCOMM UINDDL/MAIN UPDRCNM VEROBJ VEROBJ1 VROBJ VROBJ1
SQLSQS	ALLATT ALLCSET ALLMCAT ALLMREL ALLRSET CHKLOOP

DOCGROUP PS41100 Where-external-routine-used List

System Module -----	Module Name -----
	CMPTAGS
	COPTOPE
	CRCLASA
	CRCLASS
	ELDITAG
	DLMTMAP
	DPKCLST
	INSTFLD
	MODYFLD
	MRGNODE
	RCLASA
	RCLASS
	SELIAUC
	SELSET
	SELSETC
	TOPNODE
SQLAB2	ALLATT
	ALLENT
	BLOOPCK
	CHKLOOP
	CMPTAGS
	COPTOPE
	CRCLASA
	CRCLASS
	DELAC
	DELACAL
	DELACKW
	DELACNM
	DELASM1
	DELASM2



DOCGROUP PS41100 Where-external-routine-used List

System Module -----	Module Name -----
	DELAUCL
	DELCIA
	DELCM
	DELCM1
	DELCMP
	DELCMPR
	DELCPRC
	DELCR
	DELCRIP
	DELCRP1
	DELDAA1
	DELDAA2
	DELDBA1
	DELDBS1
	DELDFL2
	DELDFL3
	DELDSL1
	DELDSL2
	DELDSL3
	DELEC
	DELECAL
	DELECKW
	DELECNM
	DELFLDA
	DELIAUC
	DELIAUK
	DELIRCS
	DELKC
	DELKCM
	DELKCMT
	DELKW

DOCGROUP PS41100 Where-external-routine-used List

System Module -----	Module Name -----
	DELKWAC
	DELKWEC
	DELKWRC
	DELLR
	DELMIGK
	DELMOD
	DELMTKC
	DELOACE
	DELOWAC
	DELPCB
	DELPSWD
	DELRBR1
	DELRBR2
	DELRC
	DELRCKW
	DELRCS
	DELRST2
	DELRST3
	DELRTY2
	DELSDF1
	DELSN1
	DELSTM1
	DELSTM2
	DELSTM3
	DELTEXT
	DELTX
	DEPENT
	DLDTAG
	DLDSL2
	DLMIGRC
	DLMTMAP

DOCGROUP PS41100 Where-external-routine-used List

System Module -----	Module Name -----
	DLTPRFA
	DMIGKKC
	DMIGKRC
	DPKCLST
	DRPDF
	ECSTRUC
	GETNXNO
	INSAC
	INSACNM
	INSAUC
	INSCATM
	INSCATR
	INSCRC
	INSDSL
	INSEC
	INSECNM
	INSIAUC
	INSKCM
	INSKW
	INSKWAC
	INSKWEC
	INSKWRC
	INSLNKR
	INSMOD
	INSOAC
	INSRC
	INSRCRS
	INSRSET
	INSSTM
	INSTFLD
	MODACKW

DOCGROUP PS41100 Where-external-routine-used List

System Module -----	Module Name -----
	MODECKW
	MODRCKW
	MODYFLD
	MRGNODE
	NRGET
	RCLASA
	RCLASS
	SELIAUC
	SELSET
	SELSETC
	TLOOPCK
	TOPNODE
	UPDAC
	UPDACAL
	UPDACNM
	UPDAPP
	UPDAUC
	UPDAUCE
	UPDCRNM
	UPDDAA
	UPDDB
	UPDDBH
	UPDDBN
	UPDDDI
	UPDDF
	UPDDFU
	UPDDI
	UPDECAL
	UPDECNM
	UPDEF
	UPDFDF

DOCGROUP PS41100 Where-external-routine-used List

System Module -----	Module Name -----
	UPDFDFU
	UPDFPDF
	UPDHST
	UPDKCT
	UPDLRNM
	UPDMNAM
	UPDMOD
	UPDMP
	UPDNXNO
	UPDPDF
	UPDPSB
	UPDRAUC
	UPDRCB
	UPDRDFU
	UPDRRCB
	UPDRRS
	UPDRSS
	UPDRSTM
	UPDRT
	UPDSTM
	UPDTCR
	UPDTDOM
	UPDTKW
	UPDTRC
	UPDUDT
	UPDVIEW
	VTAGAUC
	WRTDESC
STRCPY	BLOOPCK
	CMPTAGS

DOCGROUP PS41100 Where-external-routine-used List

System Module -----	Module Name -----
	NDDL/MAIN PROCMD TLOOPCK
PRINTF	ADDNCORR ADD_CORR ADD_TO_CNT ADD_TO_LST BRANCHR CPFONE DELCRIP FREGECLST NDDL/MAIN UERROR UWARN YYPARSE
DRPLUW	BRANCHR
LISTNAME	ADDNCORR ADD_CORR ADD_TO_CNT ADD_TO_LST
STRLEN	ADDNCORR ADD_CORR ADD_TO_LST INSCATR INSRC UPDTCR
STRCAT	

DOCGROUP PS41100 Where-external-routine-used List

System Module -----	Module Name -----
	ADDNCORR ADD_CORR ADD_TO_LST NDDL/MÄIN
FREE	FREELST FREGECLST FRELST1 FRELST2 FRETAGLST
ESCPY	DESCRB NFLOPEN
TOUPPER	DESCRB LOWUPP VEROBJ VEROBJ1 VROBJ VROBJ1
CRTERR	UERROR UWARN
PMSGLS	PROCMD UERROR UWARN WRTLIN
GETCHAR	GETNCHR
INITFP	

DOCGROUP PS41100 Where-external-routine-used List

System Module -----	Module Name -----
	HOOK_FORM
OPNFRM	HOOK_FORM
ADDFRM	HOOK_FORM
CDSDATE	HOOK_FORM
	INSMOD
	UPDMNAM
ISLOWER	UPDMOD
COOPEN	LOWUPP
	LVLCHK
	LVLCHK1
COCLOSE	RDESC
	LVLCHK
	LVLCHK1
COFETCH	RDESC
	LVLCHK
COEXEC	LVLCHK1
	LVLCHK
COBINDN	LVLCHK1
	LVLCHK
	LVLCHK1
CODFINN	RDESC
	LVLCHK



DOCGROUP PS41100 Where-external-routine-used List

System Module -----	Module Name -----
CCSQL3	LVLCHK1
	LVLCHK LVLCHK1 RDDESC
SCANF	NDDL/MAIN
SIGNAL	NDDL/MAIN UINDDL/MAIN
EXIT	ERRTRAP NDDL/MAIN UINDDL/MAIN
PUT_SYMB	YYPARSE
CHAIN_SYMB	YYPARSE
MEMCPY	YYPARSE
NEW_SCOPE	YYPARSE
EXIT_SCOPE	YYPARSE
YYLEX	YYPARSE
FCLOSE	NFLCLOS
FOPEN	NFLOPEN
DELREUS	

DOCGROUP PS41100 Where-external-routine-used List

System Module -----	Module Name -----
	NRGET
RESETFN	PROCMD
COMMITMN	PROCMD
COMMITFN	PROCMD
RESETMN	PROCMD
PDATA	PROCMD
RMVPAG	PROCMD
PUTCHAR	PROCMD
OISCR	PROCMD
GDATA	PROCMD
RPLFRM	PROCMD
TERMFN	TERMSSES
INITAL	UINDDL/MAIN
TRMDML	ERRTRAP UINDDL/MAIN
PUTC	WRTLIN

3.10.3 Main Program Parts List

The following lists each Main Program in the documentation group and all the modules which are called either by that module itself or by any of the documented modules which it calls. It is possible for a non-main module to be listed more than once if it is called by multiple modules. The called modules, in this case known as program parts, are marked as to whether they are documented here. If so, the phrase "well-defined module" appears by the module name, if not it is an "external routine". The Purpose of the Main Program module is listed as well.

DOCGROUP PS41100 Main Program Parts List

Main Pgm Name -----	Module Name -----	Module Type -----
ADDAFT	CPFONE	Well-defined module
	ADDOAC	Well-defined module
	UERROR	Well-defined module
	CPFNXT	Well-defined module
ADDDT	UERROR	Well-defined module
	ADDSTD	Well-defined module
	ADDNSTD	Well-defined module
ADDEC		
ADDECNM	MALLOC	External routine
	MALLOC	External routine
ADDFLDS	STRNCPY	External routine
ADDFLDS	CPFONE	Well-defined module
	UERROR	Well-defined module
	CPFNXT	Well-defined module
	CPFCOR	Well-defined module
	CPFVAL	Well-defined module
	LOWUPP	Well-defined module
	CONVCPF	Well-defined module
	RETRFLD	Well-defined module
	GETNNUM	Well-defined module
	VERDTYP	Well-defined module
	RECSEMS	Well-defined module
	DELFLDA	Well-defined module
	INSTFLD	Well-defined module
ERRPRO	External routine	
ADDKC		
	CPFONE	Well-defined module

DOCGROUP PS41100 Main Program Parts List

Main Pgm Name -----	Module Name -----	Module Type -----
	UERROR	Well-defined module
	CPFNXT	Well-defined module
	CPFVAL	Well-defined module
	LOWUPP	Well-defined module
	GETNNUM	Well-defined module
	VERKCT	Well-defined module
	VERKC	Well-defined module
	INSKC	Well-defined module
	ADDKM	Well-defined module
ADDKCLS		
	MALLOC	External routine
	STRNCPY	External routine
ADDKG		
	MALLOC	External routine
	STRNCPY	External routine
ADDKM		
	ADDOAC	Well-defined module
	UERROR	Well-defined module
	VTAGAUC	Well-defined module
	INSKCM	Well-defined module
ADDKW		
	CPFONE	Well-defined module
	UERROR	Well-defined module
	CPFNXT	Well-defined module
	LOWUPP	Well-defined module
	GETNNUM	Well-defined module
	VERKW	Well-defined module
	INSKW	Well-defined module
	ADDKWA	Well-defined module
	ADDKWE	Well-defined module
	ADDKWR	Well-defined module

DOCGROUP PS41100 Main Program Parts List

Main Pgm Name -----	Module Name -----	Module Type -----
ADDKWA	UERROR	Well-defined module
	ERRPRO	External routine
	INSKWAC	Well-defined module
ADDKWE	UERROR	Well-defined module
	ERRPRO	External routine
	INSKVEC	Well-defined module
ADDKWR	UERROR	Well-defined module
	ERRPRO	External routine
	INSKWRC	Well-defined module
ADDMAP	CPFONE	Well-defined module
	UERROR	Well-defined module
	CPFNXT	Well-defined module
	CPFCOR	Well-defined module
	CPFVAL	Well-defined module
	LOWUPP	Well-defined module
	ERRPRO	External routine
	VERHZP	Well-defined module
	CHKSTMP	Well-defined module
	VERAISM	Well-defined module
	CHKHPRT	Well-defined module
	VERDFID	Well-defined module
	VERHPDF	Well-defined module
	MAPADF	Well-defined module
	VERDB	Well-defined module
	FNDASA	Well-defined module
VERHPST	well-defined module	
MAPASET	Well-defined module	

DOCGROUP PS41100 Main Program Parts List

Main Pgm Name -----	Module Name -----	Module Type -----
ADDMIG	MAPRC	Well-defined module
	MAPAREC	Well-defined module
	MAPAROJ	Well-defined module
ADDMIG	CPFONE	Well-defined module
	UERROR	Well-defined module
	GETNNUM	Well-defined module
	ERRPRO	External routine
	VERKCT	Well-defined module
	VERKC	Well-defined module
	SELECNM	Well-defined module
	UWARN	Well-defined module
	VERRCC	Well-defined module
	MKRNLST	Well-defined module
	CKRNLST	Well-defined module
	VERAUC	Well-defined module
	INSAUC	Well-defined module
	INSIAUC	Well-defined module
	INSCRC	Well-defined module
ADDMIGC	UERROR	Well-defined module
	GETNNUM	Well-defined module
	ERRPRO	External routine
	VERKCT	Well-defined module
	INSKC	Well-defined module
	INSKCM	Well-defined module
	SELECNM	Well-defined module
	CKRNLST	Well-defined module
	VERAUC	Well-defined module
	INSAUC	Well-defined module
	INSIAUC	Well-defined module

DOCGROUP PS41100 Main Program Parts List

Main Pgm Name -----	Module Name -----	Module Type -----
ADDNCORR	MKRNL1	Well-defined module
	PRINTF	External routine
	LISTNAME	External routine
	STRLEN	External routine
ADDNODE	STRCAT	External routine
	MALLOC	External routine
ADDNSTD	UERROR	Well-defined module
	VERDT	Well-defined module
	INSDT	Well-defined module
ADDOAC	UERROR	Well-defined module
	GETNNUM	Well-defined module
	ERRPRO	External routine
	INSAUC	Well-defined module
	VERATT	Well-defined module
	VEROAC	Well-defined module
	INSOAC	Well-defined module
ADDPARM	WRTLIN	Well-defined module
ADDP RMS	UERROR	Well-defined module
	CPFNXT	Well-defined module
	VERDT	Well-defined module
ADDRNUM ADDSTD	UERROR	Well-defined module
	VERDT	Well-defined module
	INSDT	Well-defined module

DOCGROUP PS41100 Main Program Parts List

Main Pgm Name -----	Module Name -----	Module Type -----
	VERSDT	Well-defined module
	CRTVLRG	Well-defined module
	CRTVMOD	Well-defined module
ADDTXT		
	WRTLIN	Well-defined module
ADDUNIN		
	CPFONE	Well-defined module
	UERROR	Well-defined module
	CPFNXT	Well-defined module
	CPFVAL	Well-defined module
	VERDFID	Well-defined module
	VERECN	Well-defined module
	VERUNIN	Well-defined module
	VERUDT	Well-defined module
	INSUNIN	Well-defined module
ADD_CORR		
	PRINTF	External routine
	LISTNAME	External routine
	STRLEN	External routine
	STRCAT	External routine
ADD_TO_CNT		
	ERRPRO	External routine
	PRINTF	External routine
	LISTNAME	External routine
ADD_TO_LST		
	UERROR	Well-defined module
	ERRPRO	External routine
	SPRINTF	External routine
	PRINTF	External routine
	LISTNAME	External routine
	STRLEN	External routine



DOCGROUP PS41100 Main Program Parts List

Main Pgm Name -----	Module Name -----	Module Type -----
	STRCAT	External routine
ADPARM1	WRTLIN	Well-defined module
AKCROW	SPRINTF	External routine
	ADDKG	External routine
	ADDEC	External routine
	ADDKCLS	External routine
ALGCHK	UERROR	Well-defined module
	ERRPRO	External routine
	VERRTNO	Well-defined module
	VERENT	Well-defined module
	VERALMP	Well-defined module
	INSAISM	Well-defined module
ALGDTN	UERROR	Well-defined module
	VERDTYP	Well-defined module
	ERRPRO	External routine
	SELDBMS	Well-defined module
	VALDTN	Well-defined module
ALLATT	GENDESC	Well-defined module
	SQLSCA	External routine
	SQLSCH	External routine
	SQLSCC	External routine
	SQLTOC	External routine
	SQLSQ	External routine
	SQLXEXE	External routine
	SQLCLS	External routine
	SQLFCH	External routine

DOCGROUP PS41100 Main Program Parts List

Main Pgm Name -----	Module Name -----	Module Type -----
	GENALI	Well-defined module
	GENATT	Well-defined module
	STRNCPY	External routine
	SQLBS2	External routine
	ERRRPT	Well-defined module
	SQLAD2	External routine
	STRNCMP	External routine
	SQLSQS	External routine
	SQLAB2	External routine
ALLCSET		
	ADDPARM	External routine
	SQLSCA	External routine
	SQLSCH	External routine
	SQLSCC	External routine
	SQLTOC	External routine
	SQLSQS	External routine
	SQLLEXE	External routine
	SQLCLS	External routine
	SQLFCH	External routine
	GENMREL	Well-defined module
	STRNCPY	External routine
	SQLBS2	External routine
	ERRRPT	Well-defined module
	SQLAD2	External routine
	SQLSQS	External routine
ALLDB		
	ERRPRO	External routine
	GENDB	Well-defined module
ALLDBMS		
	UERROR	Well-defined module
	ERRPRO	External routine

DOCGROUP PS41100 Main Program Parts List

Main Pgm Name -----	Module Name -----	Module Type -----
	ADDPARM	External routine
	SELHOST	Well-defined module
	SELDB	Well-defined module
ALLDOM		
	ERRPRO	External routine
	GENDOM	Well-defined module
ALLDT		
	ERRPRO	External routine
	GENDESC	Well-defined module
	GENDT	Well-defined module
ALLECRT		
	ERRPRO	External routine
	GENECRT	Well-defined module
ALLENT		
	GENDESC	Well-defined module
	SQLSCA	External routine
	SQLSCH	External routine
	SQLSCC	External routine
	SQLTOC	External routine
	SQLSQ	External routine
	SQLQEXE	External routine
	SQLCLS	External routine
	SQLFCH	External routine
	GENALI	Well-defined module
	STRNCPY	External routine
	SQLBS2	External routine
	ERRRPT	Well-defined module
	SQLAD2	External routine
	STRNCMP	External routine
	SQLAB2	External routine
	BLECLST	Well-defined module

DOCGROUP PS41100 Main Program Parts List

Main Pgm Name -----	Module Name -----	Module Type -----
ALLKEY	GENENT	Well-defined module
	ERRPRO	External routine
	CHKOWN	Well-defined module
	GENALT1	Well-defined module
ALLMCAT	CHKINH	Well-defined module
	ADDPARM	External routine
	SQLSCA	External routine
	SQLSCH	External routine
	SQLSCC	External routine
	SQLTOC	External routine
	SQLSQ	External routine
	SQLXEXE	External routine
	SQLCLS	External routine
	SQLFCH	External routine
	STRNCPY	External routine
	SQLBS2	External routine
	ERRRPT	Well-defined module
	SQLAD2	External routine
	SQLSQS	External routine
	GENAREL	Well-defined module
	ALLMENT	ERRPRO
GENMENT		Well-defined module
ALLMREC	ERRPRO	External routine
	GENMAP	Well-defined module
	GENCRPT	Well-defined module
	GENCRUN	Well-defined module
ALLMREL		

DOCGROUP PS41100 Main Program Parts List

Main Pgm Name -----	Module Name -----	Module Type -----
	SELECNM	Well-defined module
	ADDPARM	External routine
	SQLSCA	External routine
	SQLSCH	External routine
	SQLSCC	External routine
	SQLTOC	External routine
	SQLSQS	External routine
	SOLEXE	External routine
	SQLCLS	External routine
	SQLFCH	External routine
	STRNCPY	External routine
	SQLBS2	External routine
	ERRRPT	Well-defined module
	SQLAD2	External routine
	SQLSQS	External routine
ALLMROJ	GENAREL	Well-defined module
	UERROR	Well-defined module
	ERRPRO	External routine
	SELECNM	Well-defined module
	ADDPARM	External routine
ALLREC	SELDBRT	Well-defined module
	ERRPRO	External routine
ALLREL	GENREC	Well-defined module
	ERRPRO	External routine
	BLRCKC	Well-defined module
	MODRELA	Well-defined module
ALLRNG		
	ERRPRO	External routine

DOCGROUP PS41100 Main Program Parts List

Main Pgm Name -----	Module Name -----	Module Type -----
ALLRSET	ADDPARM	External routine
	ADDPARM	External routine
	SQLSCA	External routine
	SQLSCH	External routine
	SQLSCC	External routine
	SQLTOC	External routine
	SQLSQ	External routine
	SQLXEXE	External routine
	SQLCLS	External routine
	SQLFCH	External routine
	GENMREL	Well-defined module
	STRNCPY	External routine
	SQLBS2	External routine
	ERRRPT	Well-defined module
	SQLAD2	External routine
SQLSQS	External routine	
ALLSET	ERRPRO	External routine
ALLVALU	GENSET	Well-defined module
	ERRPRO	External routine
ALLVIEW	ADDPARM	External routine
	UERRO	Well-defined module
ALMROJC	GETNNJM	Well-defined module
	ERRPRO	External routine
	VERSDT	Well-defined module
	INSDI	Well-defined module
	INSPDI	Well-defined module

DOCGROUP PS41100 Main Program Parts List

Main Pgm Name -----	Module Name -----	Module Type -----
	UERROR	Well-defined module
	ERRPRO	External routine
	ADDPARM	External routine
ALT1ERT	SELDBRT	Well-defined module
	UERROR	Well-defined module
ALTAISM	ERRPRO	External routine
ALTALI	ERRPRO	External routine
	CPFONE	Well-defined module
	UERROR	Well-defined module
	CPFNXT	Well-defined module
	LOWUPP	Well-defined module
	VERNME	Well-defined module
	VERNMA	Well-defined module
	UPDECAL	Well-defined module
ALTATT	UPDACAL	Well-defined module
	CPFONE	Well-defined module
	UERROR	Well-defined module
	VERATT	Well-defined module
	ADDKW	External routine
	DRPKW	Well-defined module
	SPRINTF	External routine
	STRNCPY	External routine
	CHGDOM	Well-defined module
ALTCARD	AOAEVAL	Well-defined module
	CPFONE	Well-defined module
	UERROR	Well-defined module

DOCGROUP PS41100 Main Program Parts List

Main Pgm Name -----	Module Name -----	Module Type -----
	CPFNXT	Well-defined module
	LOWUPP	Well-defined module
	UWARN	Well-defined module
ALTCAT	CPFONE	Well-defined module
	UERROR	Well-defined module
	CPFNXT	Well-defined module
	VERRCC	Well-defined module
	VERENT	Well-defined module
	VERCR	Well-defined module
	UPDTCR	Well-defined module
	ADDKW	External routine
	DRPKW	Well-defined module
	SELCATC	Well-defined module
	SELCATM	Well-defined module
	DELMTKC	Well-defined module
	SELCRAD	Well-defined module
	VERVAL	Well-defined module
	VERCMU	Well-defined module
	VERCMSV	Well-defined module
	INSCATM	Well-defined module
	ADDMIGC	External routine
	DELCIA	Well-defined module
	DELCM1	Well-defined module
	DELCR	Well-defined module
	DELRC	Well-defined module
ALTCODL	CPFONE	Well-defined module
	UERROR	Well-defined module
	CPFNXT	Well-defined module
	ERRPRO	External routine



DOCGROUP PS41100 Main Program Parts List

Main Pgm Name -----	Module Name -----	Module Type -----
	MODSCH	Well-defined module
	MODLOC	Well-defined module
	VERARL	Well-defined module
	VERAREA	Well-defined module
	INSAREA	Well-defined module
	DELAREA	Well-defined module
ALTDDB	CPFONE	Well-defined module
	UERROR	Well-defined module
	ERRPRO	External routine
	UWARN	Well-defined module
	VERDBAL	Well-defined module
	VERHST	Well-defined module
	MODDBAL	Well-defined module
	ALTCODL	External routine
	ALTORCL	Well-defined module
	ALTIMS	Well-defined module
	CHGLOBL	Well-defined module
ALTDDBMS	CPFONE	Well-defined module
	UERROR	Well-defined module
	CPFNXT	Well-defined module
	ERRPRO	External routine
	UWARN	Well-defined module
	VERHST	Well-defined module
	VERDBMS	Well-defined module
	ALTDDBT	Well-defined module
	INSDBH	Well-defined module
	VERDBH	Well-defined module
	DELDBH	Well-defined module
ALTDDBT		

DOCGROUP PS41100 Main Program Parts List

Main Pgm Name -----	Module Name -----	Module Type -----
ALTDOM	ERRPRO	External routine
	CPFONE	Well-defined module
	UERROR	Well-defined module
	VERDOM	Well-defined module
	PROCDT	Well-defined module
ALTDT	ALTVLRG	Well-defined module
	UERROR	Well-defined module
	VERSDT	Well-defined module
	VERDTD	Well-defined module
	UPDIND	Well-defined module
	RETDT	Well-defined module
ALTENT	UPDSTD	Well-defined module
	CPFONE	Well-defined module
	UERROR	Well-defined module
	VERENT	Well-defined module
	ADDKW	External routine
	DRPKW	Well-defined module
	DELMTKC	Well-defined module
	DRPAC	Well-defined module
	DRPKC	Well-defined module
	ADDATT	External routine
	ADDKC	External routine
	ALTTAG	Well-defined module
	ALTENTK	Well-defined module
ALTENTK	CPFONE	Well-defined module
	UERROR	Well-defined module
	ERRPRO	External routine

DOCGROUP PS41100 Main Program Parts List

Main Pgm Name -----	Module Name -----	Module Type -----
	VERKCT	Well-defined module
	VERKC	Well-defined module
	VERKCT1	Well-defined module
	CHKCAT	Well-defined module
	UPDKCT	Well-defined module
	MODKCNM	Well-defined module
	KEYADS	Well-defined module
ALTFlds	CPFONE	Well-defined module
	UERROR	Well-defined module
	LOWUPP	Well-defined module
	CONVCPF	Well-defined module
	RETRFLD	Well-defined module
	GETNNUM	Well-defined module
	VERDTYP	Well-defined module
	INSTFLD	Well-defined module
	ERRPRO	External routine
	UWARN	Well-defined module
	GETRDH	Well-defined module
	VERRT	Well-defined module
	FLDSEMS	Well-defined module
	MODYFLD	Well-defined module
	DELFLDS	Well-defined module
ALHST	CPFONE	Well-defined module
	UERROR	Well-defined module
	CPFNXT	Well-defined module
	ERRPRO	External routine
	VERHST	Well-defined module
	VERDBMS	Well-defined module
	INSDBH	Well-defined module

DOCGROUP PS41100 Main Program Parts List

Main Pgm Name -----	Module Name -----	Module Type -----
ALTIMS	VERDBH	Well-defined module
	DELDBH	Well-defined module
	CPFONE	Well-defined module
	UERROR	Well-defined module
	CPFNXT	Well-defined module
ALTMAP	ERRPRO	External routine
	MODPCB	Well-defined module
	CPFONE	Well-defined module
	UERROR	Well-defined module
	CPFNXT	Well-defined module
	LOWUPP	Well-defined module
	CONVCPF	Well-defined module
	ERRPRO	External routine
	VERHZZ	Well-defined module
	VERAISM	Well-defined module
	VERAUC	Well-defined module
	VERENT	Well-defined module
	VERCR	Well-defined module
	VERROJ	Well-defined module
	SELAISM	Well-defined module
	MODAISM	Well-defined module
	VERRULE	Well-defined module
	UPDRULE	Well-defined module
ALTAISM	External routine	
VERLR	Well-defined module	
ADDMAP	External routine	
DRPSMAP	Well-defined module	
ALTSMAP	Well-defined module	
ALTMOD		

DOCGROUP PS41100 Main Program Parts List

Main Pgm Name -----	Module Name -----	Module Type -----
	CPFONE	Well-defined module
	UERROR	Well-defined module
	UWARN	Well-defined module
	VERMOD	Well-defined module
	UPDMOD	Well-defined module
ALTORCL		
	CPFONE	Well-defined module
	UERROR	Well-defined module
	ERRPRO	External routine
	MODPWRD	Well-defined module
ALTPART		
	CPFONE	Well-defined module
	UERROR	Well-defined module
	CPFNXT	Well-defined module
	ERRPRO	External routine
	HPNLOOK	Well-defined module
	VALDROP	Well-defined module
	VERDBRT	Well-defined module
	VERPART	Well-defined module
	INSPART	Well-defined module
	VERHPN	Well-defined module
ALTPSB		
	CPFONE	Well-defined module
	UERROR	Well-defined module
	ERRPRO	External routine
	VERHST	Well-defined module
	VERDBH	Well-defined module
	VERPSB	Well-defined module
	UPD1PSB	Well-defined module
ALTREC		
	CPFONE	Well-defined module

DOCGROUP PS41100 Main Program Parts List

Main Pgm Name -----	Module Name -----	Module Type -----
	UERROR	Well-defined module
	CPFNXT	Well-defined module
	LOWUPP	Well-defined module
	ERRPRO	External routine
	VERAREA	Well-defined module
	GETRDH	Well-defined module
	VERRT	Well-defined module
	VERDBAA	Well-defined module
	DRPFLD	Well-defined module
	ADDFLDS	External routine
	INSDAA	Well-defined module
	DELAAB	Well-defined module
ALTREL	CPFONE	Well-defined module
	UERROR	Well-defined module
	CPFNXT	Well-defined module
	VERENT	Well-defined module
	ADDKW	External routine
	DRPKW	Well-defined module
	DELMTKC	Well-defined module
	VERLR	Well-defined module
	GETCARD	Well-defined module
	ALTCARD	External routine
	UPDTRC	Well-defined module
	ADDMIG	External routine
	DRPMIG	Well-defined module
ALTSMAP	UERROR	Well-defined module
	CPFNXT	Well-defined module
	CPFVAL	Well-defined module
	ERRPRO	External routine

DOCGROUP PS41100 Main Program Parts List

Main Pgm Name -----	Module Name -----	Module Type -----
	VERAISM	Well-defined module
	VERDB	Well-defined module
	VERRT	Well-defined module
	FNDASM	Well-defined module
	VERSMS	Well-defined module
	CHKAUCV	Well-defined module
	UPDAUCS	Well-defined module
ALTSMOD		
	CPFONE	Well-defined module
	UERROR	Well-defined module
	LOWUPP	Well-defined module
	VERSMOD	Well-defined module
	UPDSMOD	Well-defined module
	DRPARMS	Well-defined module
	SELPARM	Well-defined module
	PROCPRM	Well-defined module
	DELPARM	Well-defined module
	INSPARM	Well-defined module
ALTTAG		
	CPFONE	Well-defined module
	UERROR	Well-defined module
	CPFNXT	Well-defined module
	ERRPRO	External routine
	VERATAG	Well-defined module
	MODAAUC	Well-defined module
ALTUNIN		
	CPFONE	Well-defined module
	UERROR	Well-defined module
	CPFNXT	Well-defined module
	VERECN	Well-defined module
	DBLOOK	Well-defined module

DOCGROUP PS41100 Main Program Parts List

Main Pgm Name -----	Module Name -----	Module Type -----
	ADDUNIN	External routine
	SELURT	Well-defined module
	SELUNIN	Well-defined module
	DELUNIN	Well-defined module
	DELIERT	Well-defined module
	ECRTALL	Well-defined module
	DRPRULE	Well-defined module
ALTVLRG	CPFONE	Well-defined module
	UERROR	Well-defined module
	CPFNXT	Well-defined module
	UWARN	Well-defined module
	VERVAL	Well-defined module
	RETVALA	Well-defined module
	DRPVALA	Well-defined module
	DRPVAL	Well-defined module
	RETRNGA	Well-defined module
	DRPRNGA	Well-defined module
	VERRNG	Well-defined module
	DRPRNG	Well-defined module
	INSVAL	Well-defined module
	INSRNG	Well-defined module
	RETSTD	Well-defined module
ALTVMOD	UERROR	Well-defined module
	ERRPRO	External routine
	UWARN	Well-defined module
	DELPARM	Well-defined module
	CHKVAL	Well-defined module
	CHKRNG	Well-defined module
	RETVMOD	Well-defined module



DOCGROUP PS41100 Main Program Parts List

Main Pgm Name -----	Module Name -----	Module Type -----
	VERFJOB	Well-defined module
	INSSMOD	Well-defined module
	INSVMOD	Well-defined module
	VMODPRM	Well-defined module
	DRPVMOD	Well-defined module
	DELSMOD	Well-defined module
	CDMACRX	Well-defined module
	OUTFIL	External routine
	CLSFIL	External routine
AOACHK		
	UERROR	Well-defined module
	ERRPRO	External routine
	AOACREC	Well-defined module
	AOACTAG	Well-defined module
AOACOPR		
	ERRPRO	External routine
	RETATTR	Well-defined module
	VERKCM	Well-defined module
	SELRELC	Well-defined module
	SELRELL	Well-defined module
	OLDTAGM	Well-defined module
	AOACHK	External routine
AOACREC		
	ERRPRO	External routine
AOACTAG		
	ERRPRO	External routine
AOADPM		
	UERROR	Well-defined module
	ERRPRO	External routine
	UWARN	Well-defined module
	PRESMIG	Well-defined module

DOCGROUP PS41100 Main Program Parts List

Main Pgm Name -----	Module Name -----	Module Type -----
AOAEVAL	DELKCMT	Well-defined module
	DELMIGK	Well-defined module
	CPFONE	Well-defined module
	UERROR	Well-defined module
	CPFNXT	Well-defined module
	CPFCOR	Well-defined module
	ERRPRO	External routine
	INSKCM	Well-defined module
	UWARN	Well-defined module
	VERENT	Well-defined module
	DELMTKC	Well-defined module
	AOACREC	External routine
	AOACOPR	External routine
	AOAKC	Well-defined module
	AOADPM	External routine
	AOAMGDP	Well-defined module
	UPDAUCE	Well-defined module
AOAPICR	Well-defined module	
MODACEC	Well-defined module	
AOAGAI	UERROR	Well-defined module
	GETNNUM	Well-defined module
	ERRPRO	External routine
	INSAUC	Well-defined module
	INSIAUC	Well-defined module
AOAKC	UERROR	Well-defined module
	GETNNUM	Well-defined module
	ERRPRO	External routine
	VERKCT	Well-defined module

DOCGROUP PS41100 Main Program Parts List

Main Pgm Name -----	Module Name -----	Module Type -----
	VERKC	Well-defined module
	INSKC	Well-defined module
	NEWTAGM	Well-defined module
AOAMGDP		
	UERROR	Well-defined module
	GETNNUM	Well-defined module
	ERRPRO	External routine
	INSKCM	Well-defined module
	INSAUC	Well-defined module
	INSIAUC	Well-defined module
	VERATAG	Well-defined module
	UPDAUCE	Well-defined module
	AOAGAI	External routine
AOAPICR		
	UERROR	Well-defined module
	GETNNUM	Well-defined module
	ERRPRO	External routine
	INSKCM	Well-defined module
	INSAUC	Well-defined module
	INSIAUC	Well-defined module
	INSCRC	Well-defined module
	VERLR	Well-defined module
	VERATAG	Well-defined module
	AOAGAI	External routine
	VERIREL	Well-defined module
ATTKW		
	ERRPRO	External routine
	RETACKW	Well-defined module
	RACKW2	Well-defined module
BLDATT		
	UERROR	Well-defined module

DOCGROUP PS41100 Main Program Parts List

Main Pgm Name -----	Module Name -----	Module Type -----
BLDATT1	GETNNUM	Well-defined module
	VERATT	Well-defined module
	INSAC	Well-defined module
BLDRCEC	UERROR	Well-defined module
	GETNNUM	Well-defined module
	UWARN	Well-defined module
	VERATT	Well-defined module
	INSAC	Well-defined module
	INSACNM	Well-defined module
	WRTALI	Well-defined module
	WRTACKW	Well-defined module
	WRTDESC	Well-defined module
BLECLST	UERROR	Well-defined module
	ERRPRO	External routine
	FNDRCIE	Well-defined module
	SQLSCA	External routine
	SQLBS1	External routine
	SQLSCH	External routine
	SQLSCC	External routine
	SQLTOC	External routine
	SQLSQ	External routine
	SQLADR	External routine
	SQLAB1	External routine
	SQLQEXE	External routine
	SQLCLS	External routine
	SQLAD1	External routine
	SQLFCH	External routine
FNDEC	Well-defined module	

DOCGROUP PS41100 Main Program Parts List

Main Pgm Name -----	Module Name -----	Module Type -----
	ADDECNM	External routine
BLKCL1	ERRPRO	External routine
	AKCROW	External routine
BLKCLST	ERRPRO	External routine
	AKCROW	External routine
BLOOPCK	ADDPARM	External routine
	SQLSCA	External routine
	SQLSCH	External routine
	SQLSCC	External routine
	SQLTOC	External routine
	SQLSQ	External routine
	SQLXEXE	External routine
	SQLCLS	External routine
	SQLFCH	External routine
	SQLBS2	External routine
	ERRRPT	Well-defined module
	SQLAD2	External routine
	SQLAB2	External routine
	FRELST1	Well-defined module
	STRCPY	External routine
	LOOPDEP	Well-defined module
	ADDNODE	External routine
	STRTLST	Well-defined module
BLRCKC	ERRPRO	External routine
	INITRDL	Well-defined module
	STARTBL	Well-defined module
	SELIKEY	Well-defined module

DOCGROUP PS41100 Main Program Parts List

Main Pgm Name -----	Module Name -----	Module Type -----
BLRCKC1	ERRPRO	External routine
	FNDEC	Well-defined module
	INITRDL	Well-defined module
	SELIKEY	Well-defined module
	BLDRCEC	External routine
	KYSTRUC	Well-defined module
BLVWLST	UERROR	Well-defined module
	LOWUPP	Well-defined module
	ERRPRO	External routine
	VERENT	Well-defined module
	GET_FIRST_SYMB	External routine
	GET_FRST_CHAIN	External routine
	GET_NEXT_SYMB	External routine
	CDTRNSX	Well-defined module
	VERTAG	Well-defined module
	GTDTTYP	Well-defined module
BRANCHR	UERROR	Well-defined module
	ERRPRO	External routine
	DRPFLD	Well-defined module
	SPRINTF	External routine
	SETOUT	Well-defined module
	HALT	Well-defined module
	ALтали	External routine
	ALTATT	External routine
	ALTCAT	External routine
	ALTDDB	External routine
	ALTDDBMS	External routine
	PRINTF	External routine

DOCGROUP PS41100 Main Program Parts List

Main Pgm Name -----	Module Name -----	Module Type -----
	ALTDOM	External routine
	ALTENT	External routine
	ALTFLDS	External routine
	ALTHST	External routine
	ALTMAP	External routine
	ALTMOD	External routine
	ALTSMOD	External routine
	ALTPART	External routine
	ALTPSB	External routine
	ALTREC	External routine
	ALTREL	External routine
	ALTUNIN	External routine
	CHKMOD	Well-defined module
	CMBENT	Well-defined module
	COMMIT	Well-defined module
	CMPMOD	Well-defined module
	COPATT	Well-defined module
	CPYDB	Well-defined module
	CPYDBMS	Well-defined module
	CPYDSTP	Well-defined module
	CPYDES	Well-defined module
	CPYDOM	Well-defined module
	COPENT	Well-defined module
	CPYHST	Well-defined module
	CPYMAP	Well-defined module
	CPYMOD	Well-defined module
	CPYMODU	Well-defined module
	CPYREC	Well-defined module
	CPYSET	Well-defined module
	CPYVIEW	Well-defined module
	CRTALI	Well-defined module

DOCGROUP PS41100 Main Program Parts List

Main Pgm Name -----	Module Name -----	Module Type -----
	CRTATT	Well-defined module
	CRTCAT	Well-defined module
	CRTDSCT	Well-defined module
	CRTDOM	Well-defined module
	CRTENT	Well-defined module
	CRTMAP	Well-defined module
	CRTMOD	Well-defined module
	CRTPART	Well-defined module
	CRTRELA	Well-defined module
	CRTUNIN	Well-defined module
	CRTVIEW	Well-defined module
	DEFALG	Well-defined module
	DEFDB	Well-defined module
	DEFDBMS	Well-defined module
	DEFHST	Well-defined module
	DEFSMOD	Well-defined module
	DEFPSB	Well-defined module
	DEFREC	Well-defined module
	DEFSET	Well-defined module
	DESCRB	Well-defined module
	DRPALG	Well-defined module
	DRPALI	Well-defined module
	DRPATT	Well-defined module
	DRPCAT	Well-defined module
	DRPDB	Well-defined module
	DRPDBMS	Well-defined module
	DRPDSCT	Well-defined module
	DRPDOM	Well-defined module
	DRPENT	Well-defined module
	DRPHST	Well-defined module
	DRPKWC	Well-defined module



DOCGROUP PS41100 Main Program Parts List

Main Pgm Name -----	Module Name -----	Module Type -----
	DRPLUW	External routine
	DRPMAP	Well-defined module
	DRPMOD	Well-defined module
	DRPSMOD	Well-defined module
	DRPPART	Well-defined module
	DRPPSB	Well-defined module
	DRPREL	Well-defined module
	DRPREL	Well-defined module
	DRPSET	Well-defined module
	DRPUNIN	Well-defined module
	DRPVIEW	Well-defined module
	MGRMOD	Well-defined module
	RENMOBJ	Well-defined module
	ROLBACK	Well-defined module
	SETCOMM	Well-defined module
CATFROM	ERRPRO	External routine
	SELECNM	Well-defined module
	VERENT	Well-defined module
	ADDPARM	External routine
	GENDESC	Well-defined module
	VERCR	Well-defined module
	VERCRNM	Well-defined module
	SELACNM	Well-defined module
	GENCNME	Well-defined module
	BLKCL1	External routine
	CMBRKW	Well-defined module
CDMACRX	CDMACR	External routine
CDNMOD	ERRPRO	External routine

DOCGROUP PS41100 Main Program Parts List

Main Pgm Name -----	Module Name -----	Module Type -----
	SQLSCA	External routine
	SQLBS1	External routine
	SQLSCH	External routine
	SQLSCC	External routine
	SQLSQ	External routine
	SQLADR	External routine
	SQLAB1	External routine
	QLEXE	External routine
	SQLTFL	External routine
	SQLOPN	External routine
	SQLWNR	External routine
CDP4A		
	ERRPRO	External routine
CDTRNSX		
	ERRPRO	External routine
CERELS		
	UERROR	Well-defined module
	ERRPRO	External routine
	ADDPARM	External routine
	CLSFIL	External routine
	BLKCL1	External routine
	OPNFIL	External routine
	GENENT1	Well-defined module
	DEPFROM	Well-defined module
	GENALTE	Well-defined module
	INDFROM	Well-defined module
CESTRUC		
	ERRPRO	External routine
	ADDPARM	External routine
	CLSFIL	External routine
	BLKCL1	External routine

DOCGROUP PS41100 Main Program Parts List

Main Pgm Name -----	Module Name -----	Module Type -----
	OPNFIL	External routine
	GENENT1	Well-defined module
	GENALTE	Well-defined module
	DEPATT	External routine
	DEPENT	Well-defined module
	DPKCLST	Well-defined module
	DEPREL	Well-defined module
CHGDOM		
	CPFONE	Well-defined module
	UERROR	Well-defined module
	VERDOM	Well-defined module
	SPRINTF	External routine
	STRNCPY	External routine
	STRNCMP	External routine
	CHKCDOM	Well-defined module
	UPDAC	Well-defined module
CHGLOBL		
CHKATT		
	ERRPRO	External routine
	ADDPARM	External routine
CHKAUCV		
	ERRPRO	External routine
CHKCARD		
	CPFONE	Well-defined module
	UERROR	Well-defined module
	CPFNXT	Well-defined module
	LOWUPP	Well-defined module
	UWARN	Well-defined module
CHKCAT		
	ERRPRO	External routine
CHKCDOM		

DOCGROUP PS41100 Main Program Parts List

Main Pgm Name -----	Module Name -----	Module Type -----
CHKCMPX	UERROR	Well-defined module
	ERRPRO	External routine
	VERVAL	Well-defined module
CHKDOMS	UERROR	Well-defined module
	ERRPRO	External routine
	SELAPRM	Well-defined module
	SELRTPM	Well-defined module
	SELDFPM	Well-defined module
	GENDALG	Well-defined module
	SELDI	Well-defined module
CHKHPRT	UERROR	Well-defined module
	GETNNUM	Well-defined module
	VERSDT	Well-defined module
	VALDTN	Well-defined module
	INSDI	Well-defined module
	INSPDI	Well-defined module
	VERDTD	Well-defined module
	GETDOM	Well-defined module
CHKINH CHKKEYS	ERRPRO	External routine
CHKKEYS	UERROR	Well-defined module
	ERRPRO	External routine
	ADDPARM	External routine
	SQLSCA	External routine
	SQLBS1	External routine
	SQLSCH	External routine
	SQLSCC	External routine

DOCGROUP PS41100 Main Program Parts List

Main Pgm Name -----	Module Name -----	Module Type -----
	SQLTOC	External routine
	SQLSQ	External routine
	SQLADR	External routine
	SQLAB1	External routine
	SQLXEXE	External routine
	SQLCLS	External routine
	SQLAD1	External routine
	SQLFCH	External routine
CHKLOOP	ADDPARM	External routine
	SQLSCA	External routine
	SQLSCH	External routine
	SQLSCC	External routine
	SQLTOC	External routine
	SQLSQ	External routine
	SQLXEXE	External routine
	SQLCLS	External routine
	SQLFCH	External routine
	SPRINTF	External routine
	STRNCPY	External routine
	SQLBS2	External routine
	ERRRPT	Well-defined module
	SQLAD2	External routine
	SQLSQS	External routine
	SQLAB2	External routine
	BLOOPCK	External routine
	TLOOPCK	Well-defined module
CHKMKM	ERRPRO	External routine
	ADDPARM	External routine
	RETRECP	Well-defined module

DOCGROUP PS41100 Main Program Parts List

Main Pgm Name -----	Module Name -----	Module Type -----
CHKMOD	CPFONE	Well-defined module
	UERROR	Well-defined module
	ERRPRO	External routine
	ADDPARM	External routine
	VERMOD	Well-defined module
	UPDMOD	Well-defined module
	NFLOPEN	Well-defined module
	GETECS	Well-defined module
	CHKLOOP	External routine
	NFLCLOS	Well-defined module
CHKOWN	UERROR	Well-defined module
	NEXTKC	Well-defined module
CHKREL	ERRPRO	External routine
	VERRCC	Well-defined module
	ADDPARM	External routine
	VERKCT1	Well-defined module
	RETRCP	Well-defined module
	CHKMKM	External routine
CHKRELC	ERRPRO	External routine
	ADDPARM	External routine
CHKRNG	ERRPRO	External routine
	OUTFIL	External routine
	CRTMACR	Well-defined module
CHKSTMP	ERRPRO	External routine
CHKVAL		

DOCGROUP PS41100 Main Program Parts List

Main Pgm Name -----	Module Name -----	Module Type -----
	ERRPRO	External routine
	OUTFIL	External routine
	CRTMACR	Well-defined module
CKDUPEC		
CKRNLST		
CMBACAL		
	ERRPRO	External routine
	VERATT	Well-defined module
	GENALI	Well-defined module
CMBALI		
	ERRPRO	External routine
	GENALI	Well-defined module
	VERALI	Well-defined module
CMBEKW		
	ERRPRO	External routine
	VERKWE	Well-defined module
	ADPARM1	External routine
CMBENT		
	CPFONE	Well-defined module
	UERROR	Well-defined module
	CPFNXT	Well-defined module
	ERRPRO	External routine
	VERENT	Well-defined module
	ADDPARM	External routine
	VERMOD	Well-defined module
	BLKCL1	External routine
	GENENT1	Well-defined module
	DEPFROM	Well-defined module
	GENALTE	Well-defined module
	INDFROM	Well-defined module
	NFLOPEN	Well-defined module

DOCGROUP PS41100 Main Program Parts List

Main Pgm Name -----	Module Name -----	Module Type -----
	NFLCLOS	Well-defined module
	EXCFLAG	Well-defined module
	FNDECCR	Well-defined module
	FNDECM1	Well-defined module
	FRTOREL	Well-defined module
	FNDECCM	Well-defined module
	CATFROM	External routine
	GENFROM	Well-defined module
CMBOA	ERRPRO	External routine
	VERATT	Well-defined module
	GENDESC	Well-defined module
	ADPARM1	External routine
	GENATT	Well-defined module
	CMBACAL	External routine
CMBRKW	ERRPRO	External routine
	ADDPARM	External routine
	VERKWR	Well-defined module
CMCOUNT		
CMPCRDA	ERRPRO	External routine
CMPMOD	ERRPRO	External routine
	CPFONE	Well-defined module
	UERROR	Well-defined module
	CPFNXT	Well-defined module
	LOWUPP	Well-defined module
	ERRPRO	External routine
	ADDPARM	External routine
	VERMOD	Well-defined module



DOCGROUP PS41100 Main Program Parts List

Main Pgm Name -----	Module Name -----	Module Type -----
	NFLOPEN	Well-defined module
	NFLCLOS	Well-defined module
	RETREC2	Well-defined module
	RETREC1	Well-defined module
	RETRAC2	Well-defined module
	RETRAC1	Well-defined module
	ENTKW	Well-defined module
	ATTKW	External routine
	RELKW	Well-defined module
	RCLASS	Well-defined module
	RCLASA	Well-defined module
	CRCLASS	Well-defined module
	CRCLASA	Well-defined module
CMPTAGS		
	SQLSCA	External routine
	SQLSCH	External routine
	SQLSCC	External routine
	SQLTOC	External routine
	SQLSQ	External routine
	SQLXEXE	External routine
	SQLCLS	External routine
	SQLFCH	External routine
	STRNCPY	External routine
	SQLBS2	External routine
	ERRRPT	Well-defined module
	SQLAD2	External routine
	SQLSQS	External routine
	SQLAB2	External routine
	STRCPY	External routine
COMMIT	SAVTAGS	Well-defined module

DOCGROUP PS41100 Main Program Parts List

Main Pgm Name -----	Module Name -----	Module Type -----
CONVCHR CONVCPF COPAALI	UERROR	Well-defined module
	ERRPRO	External routine
	SPRINTF	External routine
	NCOMMIT	Well-defined module
COPAKW	ERRPRO	External routine
	VERATT	Well-defined module
	ADDPARM	External routine
	GENALI	Well-defined module
COPATT	ERRPRO	External routine
	ADDPARM	External routine
COPCKW	CPFONE	Well-defined module
	UERROR	Well-defined module
	CPFNXT	Well-defined module
	ERRPRO	External routine
	VERMOD	Well-defined module
	EXCFLAG	Well-defined module
	VERACNM	Well-defined module
	ICOPATT	Well-defined module
	FCOPATT	Well-defined module
COPEKW	ERRPRO	External routine
	ADDPARM	External routine
COPENT	ERRPRO	External routine
	ADDPARM	External routine

DOCGROUP PS41100 Main Program Parts List

Main Pgm Name -----	Module Name -----	Module Type -----
	CPFONE	Well-defined module
	UERROR	Well-defined module
	CPFNXT	Well-defined module
	LOWUPP	Well-defined module
	ERRPRO	External routine
	VERENT	Well-defined module
	VERMOD	Well-defined module
	TRADIR	Well-defined module
	TRAFIL	Well-defined module
	TERSIM	Well-defined module
	TERDIR	Well-defined module
	TERSTR	Well-defined module
	TERREL	Well-defined module
COPOA	ERRPRO	External routine
	ADDPARM	External routine
	GENATTR	Well-defined module
COPRKW		
	ERRPRO	External routine
	ADDPARM	External routine
COPTOPE		
	SQLSCA	External routine
	SQLSCH	External routine
	SQLSCC	External routine
	SQLTOC	External routine
	SQLSQ	External routine
	SQLXEXE	External routine
	SQLCLS	External routine
	SQLFCH	External routine
	FNDEC	Well-defined module
	GENALTE	Well-defined module

DOCGROUP PS41100 Main Program Parts List

Main Pgm Name -----	Module Name -----	Module Type -----
	SQLBS2	External routine
	ERRRPT	Well-defined module
	SQLAD2	External routine
	SQLSQS	External routine
	SQLAB2	External routine
	GETECNM	Well-defined module
COPVALI		
	ERRPRO	External routine
	VERENT	Well-defined module
	ADDPARM	External routine
	GENALI	Well-defined module
COPYAC		
	ERRPRO	External routine
	TERATTR	Well-defined module
CPARM		
	ADDPARM	External routine
CPDDRAL		
	CPFONE	Well-defined module
	UERROR	Well-defined module
	ERRPRO	External routine
	UWARN	Well-defined module
	VEROBJ	Well-defined module
	VROBJ	Well-defined module
	SELDESC	Well-defined module
CPDDRSP		
	CPFONE	Well-defined module
	UERROR	Well-defined module
	CPFNXT	Well-defined module
	ERRPRO	External routine
	VEROBJ	Well-defined module
	VROBJ	Well-defined module

DOCGROUP PS41100 Main Program Parts List

Main Pgm Name -----	Module Name -----	Module Type -----
CPDOFAL	SEL1DSC	Well-defined module
	CPFONE	Well-defined module
	UERROR	Well-defined module
	ERRPRO	External routine
	ADDPARM	External routine
	GENDESC	Well-defined module
	NFLOPEN	Well-defined module
	NFLCLOS	Well-defined module
	VEROBJ1	Well-defined module
	VROBJ1	Well-defined module
CPDOFSP	CPFONE	Well-defined module
	UERROR	Well-defined module
	CPFNXT	Well-defined module
	ERRPRO	External routine
	ADDPARM	External routine
	NFLOPEN	Well-defined module
	NFLCLOS	Well-defined module
	VEROBJ1	Well-defined module
	VROBJ1	Well-defined module
	GEN1DSC	Well-defined module
CPFCOR		
CPFNXT	STRNCPY	External routine
	STRNCPY	External routine
CPFONE	STRNCPY	External routine
	PRINTF	External routine
CPFVAL		
CPY1HST		

DOCGROUP PS41100 Main Program Parts List

Main Pgm Name -----	Module Name -----	Module Type -----
CPY1SMD	ERRPRO	External routine
	ADDPARM	External routine
	GENDESC	Well-defined module
	GENPSB	Well-defined module
CPYDB	ERRPRO	External routine
	ADDPARM	External routine
CPYDBMS	CPFONE	External routine
	UERROR	Well-defined module
	CPFNXT	External routine
	LOWUPP	Well-defined module
	ERRPRO	External routine
	GENDB	Well-defined module
	VERDBAL	Well-defined module
	NFLOPEN	Well-defined module
	NFLCLOS	Well-defined module
	ALLDB	External routine
	CPFONE	External routine
UERROR	Well-defined module	
CPFNXT	External routine	
LOWUPP	Well-defined module	
ERRPRO	External routine	
ADDPARM	External routine	
SELHOST	Well-defined module	
SELDB	Well-defined module	
VERDBMS	Well-defined module	
NFLOPEN	Well-defined module	
NFLCLOS	Well-defined module	
ALLDBMS	External routine	

DOCGROUP PS41100 Main Program Parts List

Main Pgm Name -----	Module Name -----	Module Type -----
CPYDES	CPFONE	External routine
	UERROR	Well-defined module
	VERMOD	Well-defined module
	SPRINTF	External routine
	STRNCPY	External routine
	STRNCMP	External routine
	CPDOFSP	External routine
	CPDOFAL	External routine
	CPDDRSP	External routine
	CPDDRAL	External routine
	CPYDOM	CPFONE
UERROR		Well-defined module
CPFNXT		External routine
ERRPRO		External routine
UWARN		Well-defined module
GENDOM		Well-defined module
VERDOM		Well-defined module
NFLOPEN		Well-defined module
NFLCLOS		Well-defined module
ALLDOM		External routine
CPYDSTP		CPFONE
	CPFNXT	External routine
	ERRPRO	External routine
	UWARN	Well-defined module
	NFLOPEN	Well-defined module
	NFLCLOS	Well-defined module
	SELDSTP	Well-defined module
	VERDSTP	Well-defined module

DOCGROUP PS41100 Main Program Parts List

Main Pgm Name -----	Module Name -----	Module Type -----
CPYHST	WRTDSTP	Well-defined module
	CPFONE	External routine
	UERROR	Well-defined module
	CPFNXT	External routine
	LOWUPP	Well-defined module
	ERRPRO	External routine
	VERHST	Well-defined module
	NFLOPEN	Well-defined module
	NFLCLOS	Well-defined module
	CPY1HST	External routine
CPYMAP	SELHSTS	Well-defined module
	CPFONE	External routine
	UERROR	Well-defined module
	LOWUPP	Well-defined module
	ERRPRO	External routine
	NFLOPEN	Well-defined module
	NFLCLOS	Well-defined module
	CPYMENT	Well-defined module
	CPYMREL	Well-defined module
	CPYMREC	Well-defined module
CPYMCAT	CPYMSET	Well-defined module
	CPYMCAT	Well-defined module
	CPFONE	External routine
	UERROR	Well-defined module
	CPFNXT	External routine
	ERRPRO	External routine
	VERENT	Well-defined module
VERCR	Well-defined module	



DOCGROUP PS41100 Main Program Parts List

Main Pgm Name -----	Module Name -----	Module Type -----
	ALLMCAT	External routine
	ALMROJC	External routine
	GENMROJ	Well-defined module
	SELRMAP	Well-defined module
CPYMENT		
	CPFONE	External routine
	UERROR	Well-defined module
	CPFNXT	External routine
	ERRPRO	External routine
	GENECRT	Well-defined module
	GENMENT	Well-defined module
	ALLECRT	External routine
	ALLMENT	External routine
	SELPEC	Well-defined module
CPYMOD		
	CPFONE	External routine
	UERROR	Well-defined module
	CPFNXT	External routine
	UWARN	Well-defined module
	VERENT	Well-defined module
	ADDPARM	External routine
	MODRELA	Well-defined module
	VERMOD	Well-defined module
	NFLOPEN	Well-defined module
	NFLCLOS	Well-defined module
	MODOATT	Well-defined module
	MODATT	Well-defined module
	MODENT	Well-defined module
	MODKC	Well-defined module
	COPTOPE	External routine
	MODRCKC	Well-defined module

DOCGROUP PS41100 Main Program Parts List

Main Pgm Name -----	Module Name -----	Module Type -----
CPYMODU	LDECLST	Well-defined module
	DEPEC	Well-defined module
	CPFONE	External routine
	UERROR	Well-defined module
	CPFNXT	External routine
	ERRPRO	External routine
	VERSMOD	Well-defined module
	NFLOPEN	Well-defined module
	NFLCLOS	Well-defined module
	CPY1SMD	External routine
CPYMREC	SELMODS	Well-defined module
	CPFONE	External routine
	UERROR	Well-defined module
	CPFNXT	External routine
	ERRPRO	External routine
	ALLECRT	External routine
	ALLMREC	External routine
	VERREC	Well-defined module
	SELMREC	Well-defined module
	CPYMREL	CPFONE
UERROR		Well-defined module
CPFNXT		External routine
ERRPRO		External routine
VERENT		Well-defined module
VERLR		Well-defined module
GENMROJ		Well-defined module
SELRMAP		Well-defined module
ALLMREL		External routine

DOCGROUP PS41100 Main Program Parts List

Main Pgm Name -----	Module Name -----	Module Type -----
CPYMSET	ALLMROJ	External routine
	CPFONE	External routine
	UERROR	Well-defined module
	CPFNXT	External routine
	ERRPRO	External routine
	VERDB	Well-defined module
	ALLRSET	External routine
	ALLCSET	External routine
	VERRSET	Well-defined module
	SELSET	Well-defined module
CPYREC	SELSETC	Well-defined module
	CPFONE	External routine
	UERROR	Well-defined module
	CPFNXT	External routine
	LOWUPP	Well-defined module
	ERRPRO	External routine
	ADDPARM	External routine
	GENREC	Well-defined module
	GETRDH	Well-defined module
	VERRT	Well-defined module
	NFLOPEN	Well-defined module
	NFLCLOS	Well-defined module
	ALLREC	External routine
CPYSET	CPFONE	External routine
	UERROR	Well-defined module
	CPFNXT	External routine
	ERRPRO	External routine
	ADDPARM	External routine

DOCGROUP PS41100 Main Program Parts List

Main Pgm Name -----	Module Name -----	Module Type -----
	GENSET	Well-defined module
	NFLOPEN	Well-defined module
	NFLCLOS	Well-defined module
	VERDBAS	Well-defined module
	GETGLOB	Well-defined module
	ALLSET	External routine
	VERDBST	Well-defined module
CPYVIEW	CPFONE	External routine
	UERROR	Well-defined module
	CPFNXT	External routine
	LOWUPP	Well-defined module
	ERRPRO	External routine
	NFLOPEN	Well-defined module
	NFLCLOS	Well-defined module
	VERVIEW	Well-defined module
	GENVIEW	Well-defined module
	GTVIEWS	Well-defined module
CRCLASA	SQLSCA	External routine
	SQLSCH	External routine
	SQLSCC	External routine
	SQLTOC	External routine
	SQLSQ	External routine
	SQLXE	External routine
	SQLCLS	External routine
	SQLFCH	External routine
	SQLTFL	External routine
	SQLOPN	External routine
	STRNCPY	External routine
	SQLBS2	External routine

DOCGROUP PS41100 Main Program Parts List

Main Pgm Name -----	Module Name -----	Module Type -----
	ERRRPT	Well-defined module
	SQLAD2	External routine
	STRNCMP	External routine
	SQLSQS	External routine
	SQLAB2	External routine
	CRPARM	Well-defined module
	CMPCRDA	External routine
	CRPARM2	Well-defined module
	CMCOUNT	External routine
	CRPARM3	Well-defined module
CRCLASS		
	SQLSCA	External routine
	SQLSCH	External routine
	SQLSCC	External routine
	SQLTOC	External routine
	SQLSQS	External routine
	SQLQLO	External routine
	SQLQLE	External routine
	SQLCLS	External routine
	SQLFCH	External routine
	SQLTFL	External routine
	SQLQPN	External routine
	STRNCPY	External routine
	SQLBS2	External routine
	ERRRPT	Well-defined module
	SQLAD2	External routine
	STRNCMP	External routine
	SQLSQS	External routine
	SQLAB2	External routine
	CRPARM	Well-defined module
	CMPCRDA	External routine
	CRPARM2	Well-defined module

DOCGROUP PS41100 Main Program Parts List

Main Pgm Name -----	Module Name -----	Module Type -----
CREATTR	CMCOUNT	External routine
	CRPARM3	Well-defined module
	ERRPRO	External routine
	ADDPARM	External routine
	GENDESC	Well-defined module
CRPARM	GENALI	Well-defined module
	GENATT	Well-defined module
	ADDPARM	External routine
CRPARM2	ADDPARM	External routine
CRPARM3	ADDPARM	External routine
CRTALI	ADDPARM	External routine
	CPFONE	External routine
	UERROR	Well-defined module
	CPFNXT	External routine
	LOWUPP	Well-defined module
	UWARN	Well-defined module
	VERATT	Well-defined module
	VERENT	Well-defined module
	INSACNM	Well-defined module
	INSECNM	Well-defined module
CRTATT	CPFONE	External routine
	UERROR	Well-defined module
	LOWUPP	Well-defined module
	ADDKW	External routine
	VERDOM	Well-defined module
	INSACNM	Well-defined module

DOCGROUP PS41100 Main Program Parts List

Main Pgm Name -----	Module Name -----	Module Type -----
CRTCAT	BLDATT	External routine
	CPFONE	External routine
	UERROR	Well-defined module
	CPFNXT	External routine
	LOWUPP	Well-defined module
	GETNNUM	Well-defined module
	VERKCT	Well-defined module
	INSCRC	Well-defined module
	VERENT	Well-defined module
	VERCR	Well-defined module
	ADDKW	External routine
	VERVAL	Well-defined module
	VERCMU	Well-defined module
	VERCMSV	Well-defined module
	INSCATM	Well-defined module
	ADDMIGC	External routine
	VERAODM	Well-defined module
VERCRDA	Well-defined module	
INSRC	Well-defined module	
INSCATR	Well-defined module	
CRTDOM	CPFONE	External routine
	UERROR	Well-defined module
	GETNNUM	Well-defined module
	VERDOM	Well-defined module
	PROCDT	Well-defined module
CRTDSCT	INSDOM	Well-defined module
	CPFONE	External routine
	UERROR	Well-defined module

DOCGROUP PS41100 Main Program Parts List

Main Pgm Name -----	Module Name -----	Module Type -----
CRTENT	CPFNXT	External routine
	LOWUPP	Well-defined module
	ERRPRO	External routine
	VERDSCT	Well-defined module
	INSDSCT	Well-defined module
CRTMACR	CPFONE	External routine
	UERROR	Well-defined module
	GETNNUM	Well-defined module
	VERENT	Well-defined module
	ADDKW	External routine
	ADDAT	External routine
	ADDKC	External routine
	INSECNM	Well-defined module
	INSEC	Well-defined module
	UERROR	Well-defined module
ERRPRO	External routine	
RETVMOD	Well-defined module	
CDMACRX	External routine	
OUTFIL	External routine	
OPNFIL	External routine	
GETHOST	External routine	
GENFIL	External routine	
CDPIC8	External routine	
APNAME	External routine	
CRTMAP	CPFONE	External routine
	UERROR	Well-defined module
	CPFNXT	External routine
	LOWUPP	Well-defined module



DOCGROUP PS41100 Main Program Parts List

Main Pgm Name -----	Module Name -----	Module Type -----
	CONVCPF	External routine
	ERRPRO	External routine
	VERAUC	Well-defined module
	VERENT	Well-defined module
	VERCR	Well-defined module
	VERRULE	Well-defined module
	VERLR	Well-defined module
	ADDMAP	External routine
	INSRULE	Well-defined module
CRTMOD		
	CPFONE	External routine
	UERROR	Well-defined module
	GETNNUM	Well-defined module
	ERRPRO	External routine
	UWARN	Well-defined module
	VERMOD	Well-defined module
	INSMOD	Well-defined module
CRTPART		
	CPFONE	External routine
	UERROR	Well-defined module
	CPFNXT	External routine
	CONVCPF	External routine
	ERRPRO	External routine
	VERECN	Well-defined module
	VERDBRT	Well-defined module
	VERPART	Well-defined module
	INSPART	Well-defined module
	VERHPN	Well-defined module
CRTRELA		
	CPFONE	External routine
	UERROR	Well-defined module

DOCGROUP PS41100 Main Program Parts List

Main Pgm Name -----	Module Name -----	Module Type -----
	CPFNXT	External routine
	GETNNUM	Well-defined module
	VERENT	Well-defined module
	ADDKW	External routine
	VERLR	Well-defined module
	ADDMIG	External routine
	INSRC	Well-defined module
	CHKCARD	External routine
	INSLNKR	Well-defined module
CRTUNIN		
	DBLOOK	Well-defined module
	ADDUNIN	External routine
CRTVIEW		
	UERROR	Well-defined module
	GETNNUM	Well-defined module
	GET_FIRST_SYMB	External routine
	VERVIEW	Well-defined module
	SET_LEVEL	External routine
	INSVIEW	Well-defined module
	BLVWLST	External routine
	REVIEW	Well-defined module
	FREE SYMTAB	External routine
	INSECRF	Well-defined module
CRTVLRG		
	CPFONE	External routine
	UERROR	Well-defined module
	CPFNXT	External routine
	VALVERF	Well-defined module
	RNGVERF	Well-defined module
CRTVMOD		
	CPFONE	External routine

DOCGROUP PS41100 Main Program Parts List

Main Pgm Name -----	Module Name -----	Module Type -----
	UERROR	Well-defined module
	CPFNXT	External routine
	ERRPRO	External routine
	INSVAL	Well-defined module
	INSRNG	Well-defined module
DBLOOK		
	CPFONE	External routine
	UERROR	Well-defined module
	ERRPRO	External routine
	VERDB	Well-defined module
	VERRT	Well-defined module
DEFALG		
	CPFONE	External routine
	UERROR	Well-defined module
	CPFNXT	External routine
	CPFCOR	External routine
	LOWUPP	Well-defined module
	CONVCPF	External routine
	VERDTYP	Well-defined module
	ERRPRO	External routine
	VERDBRT	Well-defined module
	VERTAG	Well-defined module
	ALGCHK	External routine
	ALGDTN	External routine
	VERALGI	Well-defined module
	VERPARM	Well-defined module
	VERDIDN	Well-defined module
	VERDTFL	Well-defined module
	INSTGPA	Well-defined module
	INSDIPA	Well-defined module
	INSRTPA	Well-defined module

DOCGROUP PS41100 Main Program Parts List

Main Pgm Name -----	Module Name -----	Module Type -----
DEFAREA	INSDFP	Well-defined module
	INSCOPA	Well-defined module
DEFCODL	CPFONE	External routine
	UERROR	Well-defined module
	CPFNXT	External routine
	ERRPRO	External routine
	VERAREA	Well-defined module
	INSDAA	Well-defined module
DEFDB	CPFONE	External routine
	UERROR	Well-defined module
	CPFNXT	External routine
	ERRPRO	External routine
	UWARN	Well-defined module
	VERAREA	Well-defined module
	INSAREA	Well-defined module
	INSSCH	Well-defined module
DEFDB	CPFONE	External routine
	UERROR	Well-defined module
	LOWUPP	Well-defined module
	GETNNUM	Well-defined module
	ERRPRO	External routine
	VERDB	Well-defined module
	VERHST	Well-defined module
	CHGLOBL	External routine
	VERDBMS	Well-defined module
	INSDB	Well-defined module
	DEFORCL	Well-defined module
	DEFCODL	External routine

DOCGROUP PS41100 Main Program Parts List

Main Pgm Name -----	Module Name -----	Module Type -----
DEFDBMS	DEFIMS	Well-defined module
	CPFONE	External routine
	UERROR	Well-defined module
	CPFNXT	External routine
	ERRPRO	External routine
	INSDBH	Well-defined module
DEFHST	INSDBMS	Well-defined module
	CPFONE	External routine
	UERROR	Well-defined module
	CPFNXT	External routine
	GETNNUM	Well-defined module
	ERRPRO	External routine
DEFIMS	VERHST	Well-defined module
	INSDBH	Well-defined module
	INSHST	Well-defined module
	CPFONE	External routine
	UERROR	Well-defined module
	CPFNXT	External routine
DEFORCL	ERRPRO	External routine
	VERDPSB	Well-defined module
	INSPCB	Well-defined module
	CPFONE	External routine
	UERROR	Well-defined module
DEFPSB	ERRPRO	External routine
	INSPWRD	Well-defined module
	CPFONE	External routine

DOCGROUP PS41100 Main Program Parts List

Main Pgm Name -----	Module Name -----	Module Type -----
	UERROR	Well-defined module
	ERRPRO	External routine
	VERHST	Well-defined module
	VERDBH	Well-defined module
	VERPSB	Well-defined module
DEFREC	INS1PSB	Well-defined module
	UERROR	Well-defined module
	GETNNUM	Well-defined module
	ERRPRO	External routine
	VERAREA	Well-defined module
	INSAREA	Well-defined module
	GETRDH	Well-defined module
	VERRT	Well-defined module
	INSDAA	Well-defined module
	INSRTYP	Well-defined module
	DEFFLD	External routine
DEFSET	DEFAREA	External routine
	CPFONE	External routine
	UERROR	Well-defined module
	CPFNXT	External routine
	CPFCOR	External routine
	LOWUPP	Well-defined module
	GETNNUM	Well-defined module
	VERRT	Well-defined module
	VERRSET	Well-defined module
	VERDTFL	Well-defined module
	GETDBST	Well-defined module
	INSSTM	Well-defined module
	INSRSET	Well-defined module

DOCGROUP PS41100 Main Program Parts List

Main Pgm Name -----	Module Name -----	Module Type -----
DEFMOD	INSDSL	Well-defined module
	CPFONE	External routine
	UERROR	Well-defined module
	CPFNXT	External routine
	VERDT	Well-defined module
	VERSMOD	Well-defined module
	INSSMOD	Well-defined module
	VERAPRM	Well-defined module
	INSAPRM	Well-defined module
DEL1AIM		
	ERRPRO	External routine
DEL1ASM		
	ERRPRO	External routine
DEL1ERT		
	ERRPRO	External routine
DEL1PDF		
	ERRPRO	External routine
DEL1PRF		
	ERRPRO	External routine
DELAAA		
	ERRPRO	External routine
DELAC		
	SQLSCA	External routine
	SQLSCH	External routine
	SQLSCC	External routine
	SQLSQ	External routine
	SQLXE	External routine
	SQLTFL	External routine
	SQLOPN	External routine
	SQLWNR	External routine

DOCGROUP PS41100 Main Program Parts List

Main Pgm Name -----	Module Name -----	Module Type -----
DELACAL	SQLBS2	External routine
	ERRRPT	Well-defined module
	SQLAB2	External routine
DELACKW	SQLSCA	External routine
	SQLSCH	External routine
	SQLSCC	External routine
	SQLSQ	External routine
	SQLQXE	External routine
	SQLTFL	External routine
	SQLOPN	External routine
	SQLWNR	External routine
	STRNCPY	External routine
	SQLBS2	External routine
	ERRRPT	Well-defined module
SQLAB2	External routine	
DELACNM	SQLSCA	External routine
	SQLSCH	External routine
	SQLSCC	External routine
	SQLSQ	External routine
	SQLQXE	External routine
	SQLTFL	External routine
	SQLOPN	External routine
	SQLWNR	External routine
	SQLB32	External routine
	ERRRPT	Well-defined module
	SQLAB2	External routine
DELACNM	SQLSCA	External routine
	SQLSCH	External routine



DOCGROUP PS41100 Main Program Parts List

Main Pgm Name -----	Module Name -----	Module Type -----
	SQLSCC	External routine
	SQLOSQ	External routine
	SQLEXE	External routine
	SQLTFL	External routine
	SQLOPN	External routine
	SQLWNR	External routine
	SQLBS2	External routine
	ERRRPT	Well-defined module
	SQLAB2	External routine
DELAICON		
	ERRPRO	External routine
DELAISM		
	ERRPRO	External routine
DELAPRM		
	ERRPRO	External routine
DELAREA		
	ERRPRO	External routine
DELASM		
	ERRPRO	External routine
DELASM1		
	SQLSCA	External routine
	SQLSCH	External routine
	SQLSCC	External routine
	SQLOSQ	External routine
	SQLEXE	External routine
	SQLTFL	External routine
	SQLOPN	External routine
	SQLWNR	External routine
	SQLBS2	External routine
	ERRRPT	Well-defined module
	SQLAB2	External routine

DOCGROUP PS41100 Main Program Parts List

Main Pgm Name -----	Module Name -----	Module Type -----
DELASM2	SQLSCA	External routine
	SQLSCH	External routine
	SQLSCC	External routine
	SQLSQ	External routine
	SQLXE	External routine
	SQLTFL	External routine
	SQLOPN	External routine
	SQLWNR	External routine
	STRNCPY	External routine
	SQLBS2	External routine
	ERRRPT	Well-defined module
	SQLAB2	External routine
DELAUC	UERROR	Well-defined module
	ADDRNUM	External routine
	DELTEXT	Well-defined module
	DELAUCL	Well-defined module
	DELIAUC	Well-defined module
	SPRINTF	External routine
	DELAUCK	Well-defined module
DELAUCK	UERROR	Well-defined module
	DELKCMT	Well-defined module
	DELMIGK	Well-defined module
	SPRINTF	External routine
DELAUCL	SQLSCA	External routine
	SQLSCH	External routine
	SQLSCC	External routine
	SQLSQ	External routine

DOCGROUP PS41100 Main Program Parts List

Main Pgm Name -----	Module Name -----	Module Type -----
	SQLEXE	External routine
	SQLTFL	External routine
	SQLOPN	External routine
	SQLWNR	External routine
	SQLBS2	External routine
	ERRRPT	Well-defined module
	SQLAB2	External routine
	VERTMAP	Well-defined module
	DELCONI	Well-defined module
DELCIA	DELACON	External routine
	UERROR	Well-defined module
	SQLSCA	External routine
	SQLSCH	External routine
	SQLSCC	External routine
	SQLTOC	External routine
	SQLSQ	External routine
	SQLEXE	External routine
	SQLCLS	External routine
	SQLFCH	External routine
	DELAUCL	External routine
	DELIAUC	Well-defined module
	SPRINTF	External routine
	SQLBS2	External routine
	ERRRPT	Well-defined module
	SQLAD2	External routine
DELCM	SQLAB2	External routine
	SQLSCA	External routine
	SQLSCH	External routine
	SQLSCC	External routine

DOCGROUP PS41100 Main Program Parts List

Main Pgm Name -----	Module Name -----	Module Type -----
	SQLOSQ	External routine
	SQLEXE	External routine
	SQLTFL	External routine
	SQLOPN	External routine
	SQLWNR	External routine
	SQLBS2	External routine
	ERRRPT	Well-defined module
	SQLAB2	External routine
DELCM1	SQLSCA	External routine
	SQLSCH	External routine
	SQLSCC	External routine
	SQLOSQ	External routine
	SQLEXE	External routine
	SQLTFL	External routine
	SQLOPN	External routine
	SQLWNR	External routine
	SQLBS2	External routine
	ERRRPT	Well-defined module
	SQLAB2	External routine
DELCMP	SQLSCA	External routine
	SQLSCH	External routine
	SQLSCC	External routine
	SQLOSQ	External routine
	SQLEXE	External routine
	SQLTFL	External routine
	SQLOPN	External routine
	SQLWNR	External routine
	STRNCPY	External routine
	SQLBS2	External routine

DOCGROUP PS41100 Main Program Parts List

Main Pgm Name -----	Module Name -----	Module Type -----
DELCMPR	ERRRPT	Well-defined module
	SQLAB2	External routine
	SQLSCA	External routine
	SQLSCH	External routine
	SQLSCC	External routine
	SQLSQ	External routine
	SQLQEXE	External routine
	SQLTFL	External routine
	SQLOPN	External routine
	SQLWNR	External routine
	SQLBS2	External routine
	ERRRPT	Well-defined module
	SQLAB2	External routine
DELCONI		
DELCPRC	ERRPRO	External routine
DELCR	SQLSCA	External routine
	SQLSCH	External routine
	SQLSCC	External routine
	SQLSQ	External routine
	SQLQEXE	External routine
	SQLTFL	External routine
	SQLOPN	External routine
	SQLWNR	External routine
	SQLBS2	External routine
	ERRRPT	Well-defined module
	SQLAB2	External routine

DOCGROUP PS41100 Main Program Parts List

Main Pgm Name -----	Module Name -----	Module Type -----
	SQLSCC	External routine
	SQLSQ	External routine
	SQLXE	External routine
	SQLTFL	External routine
	SQLOPN	External routine
	SQLWNR	External routine
	SQLBS2	External routine
	ERRRPT	Well-defined module
	SQLAB2	External routine
DELCRIP	UERROR	Well-defined module
	SQLSCA	External routine
	SQLSCH	External routine
	SQLSCC	External routine
	SQLTOC	External routine
	SQLSQ	External routine
	SQLXE	External routine
	SQLCLS	External routine
	SQLFCH	External routine
	SPRINTF	External routine
	SQLBS2	External routine
	ERRRPT	Well-defined module
	SQLAD2	External routine
	SQLAB2	External routine
	PRINTF	External routine
	FREGCLST	Well-defined module
	DRPCRE1	Well-defined module
	INSGCLST	Well-defined module
DELCRP1	UERROR	Well-defined module
	SQLSCA	External routine

DOCGROUP PS41100 Main Program Parts List

Main Pgm Name -----	Module Name -----	Module Type -----
	SQLSCH	External routine
	SQLSCC	External routine
	SQLTOC	External routine
	SQLSQ	External routine
	SQLQEXE	External routine
	SQLCLS	External routine
	SQLFCH	External routine
	DELCRIP	External routine
	SPRINTF	External routine
	SQLBS2	External routine
	ERRRPT	Well-defined module
	SQLAD2	External routine
	SQLAB2	External routine
DELDAA1	SQLSCA	External routine
	SQLSCH	External routine
	SQLSCC	External routine
	SQLSQ	External routine
	SQLQEXE	External routine
	SQLTFL	External routine
	SQLOPN	External routine
	SQLWNR	External routine
	SQLBS2	External routine
	ERRRPT	Well-defined module
	SQLAB2	External routine
DELDAA2	SQLSCA	External routine
	SQLSCH	External routine
	SQLSCC	External routine
	SQLSQ	External routine
	SQLQEXE	External routine

DOCGROUP PS41100 Main Program Parts List

Main Pgm Name -----	Module Name -----	Module Type -----
	SQLTFL	External routine
	SQLOPN	External routine
	SQLWNR	External routine
	STRNCPY	External routine
	SQLBS2	External routine
	ERRRPT	Well-defined module
	SQLAB2	External routine
DELDBA1		
	SQLSCA	External routine
	SQLSCH	External routine
	SQLSCC	External routine
	SQLSQ	External routine
	QLEXE	External routine
	SQLTFL	External routine
	SQLOPN	External routine
	SQLWNR	External routine
	SQLBS2	External routine
	ERRRPT	Well-defined module
	SQLAB2	External routine
DELDBDF		
	UERROR	Well-defined module
	ERRPRO	External routine
	VERDFUS	Well-defined module
	DELDFL3	Well-defined module
	ADDRNUM	External routine
	DELTEXT	Well-defined module
DELDBH		
	ERRPRO	External routine
DELDBMS		
	ERRPRO	External routine
DELDBRT		



DOCGROUP PS41100 Main Program Parts List

Main Pgm Name -----	Module Name -----	Module Type -----
	UERROR	Well-defined module
	ERRPRO	External routine
	ADDRNUM	External routine
	DELTEXT	Well-defined module
	VERHORZ	Well-defined module
DELDBS1	DELRTY2	Well-defined module
	SQLSCA	External routine
	SQLSCH	External routine
	SQLSCC	External routine
	SQLOSQ	External routine
	SQLEXE	External routine
	SQLTFL	External routine
	SQLOPN	External routine
	SQLWNR	External routine
	SQLBS2	External routine
	ERRRPT	Well-defined module
DELDBST	SQLAB2	External routine
	UERROR	Well-defined module
	ERRPRO	External routine
	ADDRNUM	External routine
	DELTEXT	Well-defined module
	VERRSUS	Well-defined module
DELDFL2	DELRST2	Well-defined module
	SQLSCA	External routine
	SQLSCH	External routine
	SQLSCC	External routine
	SQLTOC	External routine
	SQLOSQ	External routine

DOCGROUP PS41100 Main Program Parts List

Main Pgm Name -----	Module Name -----	Module Type -----
	SQLEXE	External routine
	SQLCLS	External routine
	SQLFCH	External routine
	ADDRNUM	External routine
	DELTEXT	Well-defined module
	STRNCPY	External routine
	SQLBS2	External routine
	ERRRPT	Well-defined module
	SQLAD2	External routine
	SQLAB2	External routine
	DRPDF	Well-defined module
DELDFL3		
	SQLSCA	External routine
	SQLSCH	External routine
	SQLSCC	External routine
	SQLSQ	External routine
	SQLEXE	External routine
	SQLTFL	External routine
	SQLOPN	External routine
	SQLWNR	External routine
	STRNCPY	External routine
	SQLBS2	External routine
	ERRRPT	Well-defined module
	SQLAB2	External routine
DELDIV		
	ERRPRO	External routine
DELDOM		
	ERRPRO	External routine
DELDSCT		
	ERRPRO	External routine
DELDSL1		

DOCGROUP PS41100 Main Program Parts List

Main Pgm Name -----	Module Name -----	Module Type -----
	SQLSCA	External routine
	SQLSCH	External routine
	SQLSCC	External routine
	SQLOSQ	External routine
	SQLEXE	External routine
	SQLTFL	External routine
	SQLOPN	External routine
	SQLWNR	External routine
	SQLBS2	External routine
	ERRRPT	Well-defined module
	SQLAB2	External routine
DELDSL2		
	SQLSCA	External routine
	SQLSCH	External routine
	SQLSCC	External routine
	SQLOSQ	External routine
	SQLEXE	External routine
	SQLTFL	External routine
	SQLOPN	External routine
	SQLWNR	External routine
	STRNCPY	External routine
	SQLBS2	External routine
	ERRRPT	Well-defined module
	SQLAB2	External routine
DELDSL3		
	SQLSCA	External routine
	SQLSCH	External routine
	SQLSCC	External routine
	SQLOSQ	External routine
	SQLEXE	External routine
	SQLTFL	External routine

DOCGROUP PS41100 Main Program Parts List

Main Pgm Name -----	Module Name -----	Module Type -----
	SQLOPN	External routine
	SQLWNR	External routine
	STRNCPY	External routine
	SQLBS2	External routine
	ERRRPT	Well-defined module
	SQLAB2	External routine
DELDT		
	ERRPRO	External routine
DELDTD		
	ERRPRO	External routine
DELDTNO		
	UERROR	Well-defined module
	ERRPRO	External routine
	ADDRNUM	External routine
	DELTEXT	Well-defined module
DELEC		
	SQLSCA	External routine
	SQLSCH	External routine
	SQLSCC	External routine
	SQLOSQ	External routine
	SQLEXE	External routine
	SQLTFL	External routine
	SQLOPN	External routine
	SQLWNR	External routine
	SQLBS2	External routine
	ERRRPT	Well-defined module
	SQLAB2	External routine
DELECAL		
	SQLSCA	External routine
	SQLSCH	External routine
	SQLSCC	External routine

DOCGROUP PS41100 Main Program Parts List

Main Pgm Name -----	Module Name -----	Module Type -----
	SQLOSQ	External routine
	SQLEXE	External routine
	SQLTFL	External routine
	SQLOPN	External routine
	SQLWNR	External routine
	STRNCPY	External routine
	SQLBS2	External routine
	ERRRPT	Well-defined module
	SQLAB2	External routine
DELECKW		
	SQLSCA	External routine
	SQLSCH	External routine
	SQLSCC	External routine
	SQLOSQ	External routine
	SQLEXE	External routine
	SQLTFL	External routine
	SQLOPN	External routine
	SQLWNR	External routine
	SQLBS2	External routine
	ERRRPT	Well-defined module
	SQLAB2	External routine
DELECNM		
	SQLSCA	External routine
	SQLSCH	External routine
	SQLSCC	External routine
	SQLOSQ	External routine
	SQLEXE	External routine
	SQLTFL	External routine
	SQLOPN	External routine
	SQLWNR	External routine
	SQLBS2	External routine

DOCGROUP PS41100 Main Program Parts List

Main Pgm Name -----	Module Name -----	Module Type -----
	ERRRPT	Well-defined module
	SQLAB2	External routine
DELECON		
	ERRPRO	External routine
DELECRF		
	ERRPRO	External routine
DELFLDA		
	SQLSCA	External routine
	SQLSCH	External routine
	SQLSCC	External routine
	SQLOSQ	External routine
	SOLEXE	External routine
	SQLTFL	External routine
	SQLOPN	External routine
	SQLWNR	External routine
	STRNCPY	External routine
	SQLBS2	External routine
	ERRRPT	Well-defined module
	SQLAB2	External routine
DELFLDS		
	UERROR	Well-defined module
	ERRPRO	External routine
	FNDASA	Well-defined module
	VERDFUS	Well-defined module
	DELDFL3	External routine
	ADDRNUM	External routine
	DELTEXT	Well-defined module
	VERDSL3	Well-defined module
	DELDSL3	External routine
	DELSTM3	Well-defined module
	DELIRST3	Well-defined module

DOCGROUP PS41100 Main Program Parts List

Main Pgm Name -----	Module Name -----	Module Type -----
	VERRCBS	Well-defined module
	VERMPDF	Well-defined module
	VERDFPA	Well-defined module
	VERMUNI	Well-defined module
DELHPN		
	ERRPRO	External routine
DELHPNA		
	ERRPRO	External routine
DELHST		
	ERRPRO	External routine
DELIAUC		
	SQLSCA	External routine
	SQLSCH	External routine
	SQLSCC	External routine
	SQLSQ	External routine
	SQLQEXE	External routine
	SQLTFL	External routine
	SQLOPN	External routine
	SQLWNR	External routine
	SQLBS2	External routine
	ERRRPT	Well-defined module
	SQLAB2	External routine
DELIAUK		
	SQLSCA	External routine
	SQLSCH	External routine
	SQLSCC	External routine
	SQLSQ	External routine
	SQLQEXE	External routine
	SQLTFL	External routine
	SQLOPN	External routine
	SQLWNR	External routine

DOCGROUP PS41100 Main Program Parts List

Main Pgm Name -----	Module Name -----	Module Type -----	
DELIRCS	SQLBS2	External routine	
	ERRRPT	Well-defined module	
	SQLAB2	External routine	
DELKCM	SQLSCA	External routine	
	SQLSCH	External routine	
	SQLSCC	External routine	
	SQLOSQ	External routine	
	SQLEXE	External routine	
	SQLTFL	External routine	
	SQLOPN	External routine	
	SQLWNR	External routine	
	STRNCPY	External routine	
	SQLBS2	External routine	
	ERRRPT	Well-defined module	
	SQLAB2	External routine	
	DELKCM	SQLSCA	External routine
SQLSCH		External routine	
SQLSCC		External routine	
SQLOSQ		External routine	
SQLEXE		External routine	
SQLTFL		External routine	
SQLOPN		External routine	
SQLWNR		External routine	
SQLBS2		External routine	
ERRRPT		Well-defined module	
SQLAB2		External routine	
DELKCM		SQLSCA	External routine
		SQLSCH	External routine



DOCGROUP PS41100 Main Program Parts List

Main Pgm Name -----	Module Name -----	Module Type -----
	SQLSCC	External routine
	SQLOSQ	External routine
	SQLEXE	External routine
	SQLTFL	External routine
	SQLOPN	External routine
	SQLWNR	External routine
	SQLBS2	External routine
	ERRRPT	Well-defined module
	SQLAB2	External routine
DELKCMT	SQLSCA	External routine
	SQLSCH	External routine
	SQLSCC	External routine
	SQLOSQ	External routine
	SQLEXE	External routine
	SQLTFL	External routine
	SQLOPN	External routine
	SQLWNR	External routine
	SQLBS2	External routine
	ERRRPT	Well-defined module
	SQLAB2	External routine
DELKW	SQLSCA	External routine
	SQLSCH	External routine
	SQLSCC	External routine
	SQLOSQ	External routine
	SQLEXE	External routine
	SQLTFL	External routine
	SQLOPN	External routine
	SQLWNR	External routine
	SQLBS2	External routine

DOCGROUP PS41100 Main Program Parts List

Main Pgm Name -----	Module Name -----	Module Type -----
DELKWAC	ERRRPT	Well-defined module
	SQLAB2	External routine
	SQLSCA	External routine
	SQLSCH	External routine
	SQLSCC	External routine
	SQLOSQ	External routine
	SQLEXE	External routine
	SQLTFL	External routine
	SQLOPN	External routine
	SQLWNR	External routine
	SQLBS2	External routine
DELKWEC	ERRRPT	Well-defined module
	SQLAB2	External routine
	SQLSCA	External routine
	SQLSCH	External routine
	SQLSCC	External routine
	SQLOSQ	External routine
	SQLEXE	External routine
	SQLTFL	External routine
	SQLOPN	External routine
	SQLWNR	External routine
	SQLBS2	External routine
DELKWRC	ERRRPT	Well-defined module
	SQLAB2	External routine
	SQLSCA	External routine
	SQLSCH	External routine
	SQLSCC	External routine
	SQLOSQ	External routine

DOCGROUP PS41100 Main Program Parts List

Main Pgm Name -----	Module Name -----	Module Type -----
	SQLEXE	External routine
	SQLTFL	External routine
	SQLOPN	External routine
	SQLWNR	External routine
	SQLBS2	External routine
	ERRRPT	Well-defined module
	SQLAB2	External routine
DELLR		
	SQLSCA	External routine
	SQLSCH	External routine
	SQLSCC	External routine
	SQLSQ	External routine
	SQLEXE	External routine
	SQLTFL	External routine
	SQLOPN	External routine
	SQLWNR	External routine
	SQLBS2	External routine
	ERRRPT	Well-defined module
	SQLAB2	External routine
DELMKDC		
	UERROR	Well-defined module
	ERRPRO	External routine
	SELECNM	Well-defined module
	ADDRNUM	External routine
	DELKCM	External routine
	DELCMPR	External routine
	DELIAUK	External routine
	DELKC	External routine
DELMDC		
	UERROR	Well-defined module
	ERRPRO	External routine

DOCGROUP PS41100 Main Program Parts List

Main Pgm Name -----	Module Name -----	Module Type -----
	SELECNM	Well-defined module
	DELRC	External routine
	SQLSCA	Well-defined module
	ADDRNUM	External routine
	DELTEXT	Well-defined module
	DELLR	External routine
	DELRCWK	Well-defined module
	DELCM	External routine
DELMIGK	UERROR	Well-defined module
	DELCMT	External routine
	SQLSCA	External routine
	SQLSCH	External routine
	SQLSCC	External routine
	SQLTOC	External routine
	SQLSQ	External routine
	SQLXEXE	External routine
	SQLCLS	External routine
	SQLFCH	External routine
	ADDRNUM	External routine
	DELAUCL	External routine
	DELIAUC	External routine
	SPRINTF	External routine
	SQLBS2	External routine
	ERRRPT	Well-defined module
	SQLAD2	External routine
	SQLAB2	External routine
	FRETAGLST	Well-defined module
	INSTAGLST	Well-defined module
DELMOD	SQLSCA	External routine

DOCGROUP PS41100 Main Program Parts List

Main Pgm Name -----	Module Name -----	Module Type -----
	SQLSCH	External routine
	SQLSCC	External routine
	SQLSQ	External routine
	SQLSXE	External routine
	SQLTFL	External routine
	SQLOPN	External routine
	SQLWNR	External routine
	SQLBS2	External routine
	ERRRPT	Well-defined module
	SQLAB2	External routine
DELMTAG		
	UERROR	Well-defined module
	ERRPRO	External routine
	DELPDF	Well-defined module
	DELASM	External routine
	DELAISM	External routine
DELMTKC		
	UERROR	Well-defined module
	SQLSCA	External routine
	SQLSCH	External routine
	SQLSCC	External routine
	SQLTOC	External routine
	SQLSQ	External routine
	SQLSXE	External routine
	SQLCLS	External routine
	SQLFCH	External routine
	ADDRNUM	External routine
	DELCMPR	External routine
	DELKC	External routine
	SPRINTF	External routine
	SQLBS2	External routine

DOCGROUP PS41100 Main Program Parts List

Main Pgm Name -----	Module Name -----	Module Type -----
	ERRRPT	Well-defined module
	SQLAD2	External routine
DELOAC	SQLAB2	External routine
	UERROR	Well-defined module
	ERRPRO	External routine
	DELCRP1	External routine
	DELAUC	External routine
DELOACE	DELOWAC	Well-defined module
	SQLSCA	External routine
	SQLSCH	External routine
	SQLSCC	External routine
	SQLSQ	External routine
	SQLQEXE	External routine
	SQLTFL	External routine
	SQLOPN	External routine
	SQLWNR	External routine
	SQLBS2	External routine
	ERRRPT	Well-defined module
DELOWAC	SQLAB2	External routine
	SQLSCA	External routine
	SQLSCH	External routine
	SQLSCC	External routine
	SQLSQ	External routine
	SQLQEXE	External routine
	SQLTFL	External routine
	SQLOPN	External routine
	SQLWNR	External routine
	SQLBS2	External routine

DOCGROUP PS41100 Main Program Parts List

Main Pgm Name -----	Module Name -----	Module Type -----
	ERRRPT	Well-defined module
DELPARM	SQLAB2	External routine
DELPCB	ERRPRO	External routine
	SQLSCA	External routine
	SQLSCH	External routine
	SQLSCC	External routine
	SQLOSQ	External routine
	SQLEXE	External routine
	SQLTFL	External routine
	SQLOPN	External routine
	SQLWNR	External routine
	SQLBS2	External routine
	ERRRPT	Well-defined module
DELPDF	SQLAB2	External routine
DELPDI	ERRPRO	External routine
DELPSB	ERRPRO	External routine
DELPSWD	ERRPRO	External routine
	SQLSCA	External routine
	SQLSCH	External routine
	SQLSCC	External routine
	SQLOSQ	External routine
	SQLEXE	External routine
	SQLTFL	External routine
	SQLOPN	External routine
	SQLWNR	External routine

DOCGROUP PS41100 Main Program Parts List

Main Pgm Name -----	Module Name -----	Module Type -----
	SQLBS2	External routine
	ERRRPT	Well-defined module
	SQLAB2	External routine
DELQCRF		
	ERRPRO	External routine
DELQCTG		
	ERRPRO	External routine
DELFBR1		
	SQLSCA	External routine
	SQLSCH	External routine
	SQLSCC	External routine
	SQLOSQ	External routine
	SQLEXE	External routine
	SQLTFL	External routine
	SQLOPN	External routine
	SQLWNR	External routine
	SQLBS2	External routine
	ERRRPT	Well-defined module
	SQLAB2	External routine
DELRBR2		
	SQLSCA	External routine
	SQLSCH	External routine
	SQLSCC	External routine
	SQLOSQ	External routine
	SQLEXE	External routine
	SQLTFL	External routine
	SQLOPN	External routine
	SQLWNR	External routine
	STRNCPY	External routine
	SQLBS2	External routine
	ERRRPT	Well-defined module



DOCGROUP PS41100 Main Program Parts List

Main Pgm Name -----	Module Name -----	Module Type -----
DELRC	SQLAB2	External routine
	SQLSCA	External routine
	SQLSCH	External routine
	SQLSCC	External routine
	SQLOSQ	External routine
	SQLEXE	External routine
	SQLTFL	External routine
	SQLOPN	External routine
	SQLWNR	External routine
	SQLBS2	External routine
	ERRRPT	Well-defined module
	SQLAB2	External routine
	DELRCWK	SQLSCA
SQLSCH		External routine
SQLSCC		External routine
SQLOSQ		External routine
SQLEXE		External routine
SQLTFL		External routine
SQLOPN		External routine
SQLWNR		External routine
SQLBS2		External routine
ERRRPT		Well-defined module
SQLAB2		External routine
DELRCST	SQLSCA	External routine
	SQLSCH	External routine
	SQLSCC	External routine
	SQLOSQ	External routine
	SQLEXE	External routine

DOCGROUP PS41100 Main Program Parts List

Main Pgm Name -----	Module Name -----	Module Type -----
	SQLTFL	External routine
	SQLOPN	External routine
	SQLWNR	External routine
	SQLBS2	External routine
	ERRRPT	Well-defined module
	SQLAB2	External routine
DELROJ		
	ERRPRO	External routine
DELROJE		
	ERRPRO	External routine
DELRST2		
	SQLSCA	External routine
	SQLSCH	External routine
	SQLSCC	External routine
	SQLSQ	External routine
	SQLQEXE	External routine
	SQLTFL	External routine
	SQLOPN	External routine
	SQLWNR	External routine
	STRNCPY	External routine
	SQLBS2	External routine
	ERRRPT	Well-defined module
	SQLAB2	External routine
DELRST3		
	SQLSCA	External routine
	SQLSCH	External routine
	SQLSCC	External routine
	SQLSQ	External routine
	SQLQEXE	External routine
	SQLTFL	External routine
	SQLOPN	External routine

DOCGROUP PS41100 Main Program Parts List

Main Pgm Name -----	Module Name -----	Module Type -----
	SQLWNR	External routine
	STRNCPY	External routine
	SQLBS2	External routine
	ERRRPT	Well-defined module
	SQLAB2	External routine
DELRTY2		
	SQLSCA	External routine
	SQLSCH	External routine
	SQLSCC	External routine
	QLOSQ	External routine
	QLEXE	External routine
	QLTFL	External routine
	QLOPN	External routine
	SQLWNR	External routine
	STRNCPY	External routine
	SQLBS2	External routine
	ERRRPT	Well-defined module
	SQLAB2	External routine
DELSDF1		
	SQLSCA	External routine
	SQLSCH	External routine
	SQLSCC	External routine
	QLOSQ	External routine
	QLEXE	External routine
	QLTFL	External routine
	QLOPN	External routine
	SQLWNR	External routine
	SQLBS2	External routine
	ERRRPT	Well-defined module
	SQLAB2	External routine
DELSMOD		

DOCGROUP PS41100 Main Program Parts List

Main Pgm Name -----	Module Name -----	Module Type -----
DELSN1	ERRPRO	External routine
	SQLSCA	External routine
	SQLSCH	External routine
	SQLSCC	External routine
	SQLSQ	External routine
	SQLQEXE	External routine
	SQLTFL	External routine
	SQLOPN	External routine
	SQLWNR	External routine
	SQLBS2	External routine
	ERRRPT	Well-defined module
DELSTM1	SQLLAB2	External routine
	SQLSCA	External routine
	SQLSCH	External routine
	SQLSCC	External routine
	SQLSQ	External routine
	SQLQEXE	External routine
	SQLTFL	External routine
	SQLOPN	External routine
	SQLWNR	External routine
	SQLBS2	External routine
	ERRRPT	Well-defined module
DELSTM2	SQLLAB2	External routine
	SQLSCA	External routine
	SQLSCH	External routine
	SQLSCC	External routine
	SQLQEXE	External routine

DOCGROUP PS41100 Main Program Parts List

Main Pgm Name -----	Module Name -----	Module Type -----
	SQLTFL	External routine
	SQLOPN	External routine
	SQLWNR	External routine
	STRNCPY	External routine
	SQLBS2	External routine
	ERRRPT	Well-defined module
	SQLAB2	External routine
DELSTM3	SQLSCA	External routine
	SQLSCH	External routine
	SQLSCC	External routine
	SQLOSQ	External routine
	SQLEXE	External routine
	SQLTFL	External routine
	SQLOPN	External routine
	SQLWNR	External routine
	STRNCPY	External routine
	SQLBS2	External routine
	ERRRPT	Well-defined module
	SQLAB2	External routine
DELTEXT	SQLSCA	External routine
	SQLSCH	External routine
	SQLSCC	External routine
	SQLOSQ	External routine
	SQLEXE	External routine
	SQLTFL	External routine
	SQLOPN	External routine
	SQLWNR	External routine
	STRNCPY	External routine
	SQLBS2	External routine

DOCGROUP PS41100 Main Program Parts List

Main Pgm Name -----	Module Name -----	Module Type -----
	ERRRPT	Well-defined module
	SQLAB2	External routine
DELTXT		
	SQLSCA	External routine
	SQLSCH	External routine
	SQLSCC	External routine
	SQLSQ	External routine
	SQLQEXE	External routine
	SQLTFL	External routine
	SQLQPN	External routine
	SQLWNR	External routine
	STRNCPY	External routine
	SQLBS2	External routine
	ERRRPT	Well-defined module
	SQLAB2	External routine
DELUNIN		
	ERRPRO	External routine
DELVIEW		
	ERRPRO	External routine
DEPEC		
	UERROR	Well-defined module
	ERRPRO	External routine
	SQLSCA	External routine
	SQLBS1	External routine
	SQLSCH	External routine
	SQLSCC	External routine
	SQLTOC	External routine
	SQLSQ	External routine
	SQLADR	External routine
	SQLAB1	External routine
	SQLQEXE	External routine

DOCGROUP PS41100 Main Program Parts List

Main Pgm Name -----	Module Name -----	Module Type -----
	SQLCLS	External routine
	SQLAD1	External routine
	SQLFCH	External routine
DEPENT	LDECLST	Well-defined module
	SQLSCA	External routine
	SQLSCH	External routine
	SQLSCC	External routine
	SQLSQ	External routine
	SQLFXE	External routine
	SQLFCH	External routine
	FNDEC	Well-defined module
	SQLTFL	External routine
	SQLOPN	External routine
	STRNCPY	External routine
	SQLBS2	External routine
	ERRRPT	Well-defined module
	SQLAD2	External routine
	SQLAB2	External routine
DEPENTD	GENENT2	Well-defined module
	ERRPRO	External routine
DEPFROM	DEPENT	External routine
	ERRPRO	External routine
	SELECNM	Well-defined module
	VERENT	Well-defined module
	ADDPARM	External routine
	GENDESC	Well-defined module
	VERLR	Well-defined module
	BLKCL1	External routine

DOCGROUP PS41100 Main Program Parts List

Main Pgm Name -----	Module Name -----	Module Type -----
	CMBRKW	External routine
	VERRCNM	Well-defined module
	GENRNME	Well-defined module
DEPKCM	MIGREL	Well-defined module
	ERRPRO	External routine
DEPKCM1	BLKCL1	External routine
	ERRPRO	External routine
DEPREL	BLKCL1	External routine
	UERROR	Well-defined module
	ERRPRO	External routine
	SELECNM	Well-defined module
	GENDESC	Well-defined module
	SQLSCA	External routine
	SQLBS1	External routine
	SQLSCH	External routine
	SQLSCC	External routine
	SQLSQ	External routine
	SQLADR	External routine
	SQLAB1	External routine
	QLEXE	External routine
	SQLAD1	External routine
	SQLFCH	External routine
	SQLTFL	External routine
	SQLOPN	External routine
	FNDRCEC	Well-defined module
	GENREL1	Well-defined module
DEPREL1	ALLKEY	External routine



DOCGROUP PS41100 Main Program Parts List

Main Pgm Name -----	Module Name -----	Module Type -----
	UERROR	Well-defined module
	ERRPRO	External routine
	SELECNM	Well-defined module
	ADDPARM	External routine
	GENDESC	Well-defined module
	SQLSCA	External routine
	SQLBS1	External routine
	SQLSCH	External routine
	SQLSCC	External routine
	SQLOSQ	External routine
	SQLADR	External routine
	SQLAB1	External routine
	SQLEXE	External routine
	SQLAD1	External routine
	SQLFCH	External routine
	SELACNM	Well-defined module
	SQLTFL	External routine
	SQLOPN	External routine
	FNDRCEC	Well-defined module
	ALLKEY	External routine
	GENCNM1	Well-defined module
DEPRELA	COPCKW	External routine
	ERRPRO	External routine
	ADDPARM	External routine
	DEPREL	External routine
DESCRB	DEPREL1	External routine
	CPFONE	External routine
	UEFROR	Well-defined module
	VEROBJ	Well-defined module

DOCGROUP PS41100 Main Program Parts List

Main Pgm Name -----	Module Name -----	Module Type -----
	VERDSTP	Well-defined module
	FILEINS	Well-defined module
	SPRINTF	External routine
	STRNCPY	External routine
	TXTTYP	Well-defined module
	ESCPY	External routine
	STRINS	Well-defined module
	LOADESC	Well-defined module
	TOUPPER	External routine
DLDITAG		
	SQLSCA	External routine
	SQLSCH	External routine
	SQLSCC	External routine
	SQLSQ	External routine
	SQLQLEXE	External routine
	SQLQTFLL	External routine
	SQLQLOPN	External routine
	SQLQWNR	External routine
	SQLQBS2	External routine
	ERRRPT	Well-defined module
	SQLSQS	External routine
	SQLQLAB2	External routine
DLDSL2		
	SQLSCA	External routine
	SQLSCH	External routine
	SQLSCC	External routine
	SQLSQ	External routine
	SQLQLEXE	External routine
	SQLQTFLL	External routine
	SQLQLOPN	External routine
	SQLQWNR	External routine

DOCGROUP PS41100 Main Program Parts List

Main Pgm Name -----	Module Name -----	Module Type -----
	STRNCPY	External routine
	SQLBS2	External routine
	ERRRPT	Well-defined module
DLMDAUC	SQLAB2	External routine
	UERROR	Well-defined module
	ERRPRO	External routine
	SELECNM	Well-defined module
DLMIGRC	DELAUC	External routine
	UERROR	Well-defined module
	DEKCMY	External routine
	SQLSCA	External routine
	SQLSCH	External routine
	SQLSCC	External routine
	SQLTOC	External routine
	SQLSOSQ	External routine
	SQLXEXE	External routine
	SQLCLS	External routine
	SQLFCH	External routine
	ADDRNUM	External routine
	DELAUCL	External routine
	DELIAUC	External routine
	SPRINTF	External routine
	SQLBS2	External routine
	ERRRPT	Well-defined module
	SQLAD2	External routine
	SQLAB2	External routine
	FRELST2	Well-defined module
DLMTMAP	INSNODE	Well-defined module

DOCGROUP PS41100 Main Program Parts List

Main Pgm Name -----	Module Name -----	Module Type -----
	SQLSCA	External routine
	SQLSCH	External routine
	SQLSCC	External routine
	SQLSQ	External routine
	SQLXEXE	External routine
	SQLTFL	External routine
	SQLOPN	External routine
	SQLWNR	External routine
	SQLBS2	External routine
	ERRRPT	Well-defined module
	SQLSQS	External routine
	SQLAB2	External routine
DLTPRFA		
	SQLSCA	External routine
	SQLSCH	External routine
	SQLSCC	External routine
	SQLSQ	External routine
	SQLXEXE	External routine
	SQLTFL	External routine
	SQLOPN	External routine
	SQLWNR	External routine
	SQLBS2	External routine
	ERRRPT	Well-defined module
	SQLAB2	External routine
DMIGKKC		
	UERROR	Well-defined module
	DELKCMT	External routine
	SQLSCA	External routine
	SQLSCH	External routine
	SQLSCC	External routine
	SQLTOC	External routine

DOCGROUP PS41100 Main Program Parts List

Main Pgm Name -----	Module Name -----	Module Type -----
	SQLSQ	External routine
	SQLXE	External routine
	SQLCLS	External routine
	SQLFCH	External routine
	ADDRNUM	External routine
	DELAUCL	External routine
	DELIAUC	External routine
	SPRINTF	External routine
	SQLBS2	External routine
	ERRRPT	Well-defined module
	SQLAD2	External routine
	SQLAB2	External routine
	FRELST2	Well-defined module
	INSNODE	Well-defined module
DMIGKRC	UERROR	Well-defined module
	DELKCMT	External routine
	SQLSCA	External routine
	SQLSCH	External routine
	SQLSCC	External routine
	SQLTOC	External routine
	SQLSQ	External routine
	SQLXE	External routine
	SQLCLS	External routine
	SQLFCH	External routine
	ADDRNUM	External routine
	DELAUCL	External routine
	DELIAUC	External routine
	SPRINTF	External routine
	SQLBS2	External routine
	ERRRPT	Well-defined module

DOCGROUP PS41100 Main Program Parts List

Main Pgm Name -----	Module Name -----	Module Type -----
DOMUSAG	SQLAD2	External routine
	SQLAB2	External routine
	FRELST2	Well-defined module
	INSNODE	Well-defined module
DPKCLST	ERRPRO	External routine
	VERDFDT	Well-defined module
	VERDIDT	Well-defined module
DRPAC	SQLSCA	External routine
	SQLSCH	External routine
	SQLSCC	External routine
	SQLTOC	External routine
	SQLSQ	External routine
	QLEXE	External routine
	SQLCLS	External routine
	SQLFCH	External routine
	FNDEC	Well-defined module
	AKCROW	External routine
	STRNCPY	External routine
	SQLBS2	External routine
	ERRRPT	Well-defined module
	SQLAD2	External routine
	SQLSQS	External routine
SQLAB2	External routine	
DRPAC	CPFONE	External routine
	UERROR	Well-defined module
	CPFNXT	External routine
	ERRPRO	External routine
DRPAC	VERATT	Well-defined module

DOCGROUP PS41100 Main Program Parts List

Main Pgm Name -----	Module Name -----	Module Type -----
	DELOAC	External routine
DRPALG	CPFONE	External routine
	UERROR	Well-defined module
	LOWUPP	Well-defined module
	CONVCPF	External routine
	ERRPRO	External routine
	ECRTALL	Well-defined module
	DRPRULE	Well-defined module
	VERALG	Well-defined module
	CMPTAGS	External routine
	DELCMP	External routine
	DLMTMAP	External routine
	DLDITAG	External routine
	DLTPRFA	External routine
	DRPECRT	Well-defined module
DRPALI	CPFONE	External routine
	UERROR	Well-defined module
	LOWUPP	Well-defined module
	VERATT	Well-defined module
	VERENT	Well-defined module
	GETECAL	Well-defined module
	GETACAL	Well-defined module
DRPALTG	UERROR	Well-defined module
	ERRPRO	External routine
	UWARN	Well-defined module
	ECRTALL	Well-defined module
	DRPRULE	Well-defined module
	DRPECRT	Well-defined module

DOCGROUP PS41100 Main Program Parts List

Main Pgm Name -----	Module Name -----	Module Type -----
DRPARMS	DELMTAG	External routine
	UERROR	Well-defined module
	CPFNXT	External routine
	VERAPRM	Well-defined module
DRPATT	DELAPRM	External routine
	CPFONE	External routine
	UERROR	Well-defined module
	CPFNXT	External routine
	ERRPRO	External routine
	VERATT	Well-defined module
	DELMTKC	External routine
	ADDRNUM	External routine
	DELTEXT	External routine
	DELOAC	External routine
	DELAC	External routine
	DELACNM	External routine
	DELACKW	External routine
DRPCAT	CPFONE	External routine
	UERROR	Well-defined module
	CPFNXT	External routine
	UWARN	Well-defined module
	VERRCC	Well-defined module
	VERENT	Well-defined module
	VERCR	Well-defined module
	DELMTKC	External routine
	DELRCR	External routine
	DELRC	External routine
	VERROJ	Well-defined module



DOCGROUP PS41100 Main Program Parts List

Main Pgm Name -----	Module Name -----	Module Type -----
	ADDRNUM	External routine
	DELTEXT	External routine
	DELRCKW	External routine
	DELCM	External routine
	VERRCB	Well-defined module
	DRPMGRC	Well-defined module
	DELCPRC	External routine
DRPCRE	UERROR	Well-defined module
	ERRPRO	External routine
	SELCATM	Well-defined module
	DELCM1	External routine
	DELCR	External routine
	DELRC	External routine
	ADDRNUM	External routine
	DELTEXT	External routine
	DELRCKW	External routine
	DELCM	External routine
	VERRCB	Well-defined module
	DELCRIP	External routine
DRPCRE1	UERROR	Well-defined module
	ERRPRO	External routine
	VERRCC	Well-defined module
	DELCR	External routine
	DELRC	External routine
	ADDRNUM	External routine
	DELTEXT	External routine
	DELRCKW	External routine
	DELCM	External routine
	VERRCB	Well-defined module

DOCGROUP PS41100 Main Program Parts List

Main Pgm Name -----	Module Name -----	Module Type -----	
DRPDB	DRPMGRC	Well-defined module	
	DELCPRC	External routine	
DRPDBMS	CPFONE	External routine	
	UERROR	Well-defined module	
	LOWUPP	Well-defined module	
	ERRPRO	External routine	
	VERDBAS	Well-defined module	
	ADDRNUM	External routine	
	DELTEXT	External routine	
	VERAIMD	Well-defined module	
	VERERMD	Well-defined module	
	VERDBRL	Well-defined module	
	VERDUNI	Well-defined module	
	VERRPS	Well-defined module	
	DELDBS1	External routine	
	DELPSWD	External routine	
	DELSN1	External routine	
	DELDERT	External routine	
	DELDA1	External routine	
	DELDEF	External routine	
	DELDBST	External routine	
	DELSTM1	External routine	
	DELDBA1	External routine	
	DELDSL1	External routine	
	DELPCB	External routine	
		CPFONE	External routine
		UERROR	Well-defined module
		CPFNXT	External routine
		ERRPRO	External routine

DOCGROUP PS41100 Main Program Parts List

Main Pgm Name -----	Module Name -----	Module Type -----
DRPDF	VERDBMS	Well-defined module
	DELDDBMS	External routine
	SQLSCA	External routine
	SQLSCH	External routine
	SQLSCC	External routine
	SQLSQ	External routine
	SQLQEXE	External routine
	SQLTFL	External routine
	SQLOPN	External routine
	SQLWNR	External routine
	SQLBS2	External routine
	ERRRPT	Well-defined module
	SQLAB2	External routine
	DRPDFMP	UERROR
ERRPRO		External routine
SELDBNM		Well-defined module
DEL1PDF		External routine
DRPDIV	UERROR	Well-defined module
	ERRPRO	External routine
	DELTEXT	External routine
	VERDIPA	Well-defined module
DRPDOM	CPFONE	External routine
	UERROR	Well-defined module
	CPFNXT	External routine
	VERDOM	Well-defined module
	DRPVALA	Well-defined module
	DRPRNGA	Well-defined module

DOCGROUP PS41100 Main Program Parts List

Main Pgm Name -----	Module Name -----	Module Type -----
	ADDRNUM	External routine
	DELTEXT	External routine
	VERACDT	Well-defined module
	DOMUSAG	External routine
	DELDTNO	External routine
	DELDTD	External routine
DRPDSCT	DELDOM	External routine
	CPFONE	External routine
	UERROR	Well-defined module
	CPFNXT	External routine
	LOWUPP	Well-defined module
	ERRPRO	External routine
	VERDSCT	Well-defined module
DRPDT	DELDSC	External routine
	UERROR	Well-defined module
	VERDTD	Well-defined module
	RETDT	Well-defined module
	ADDRNUM	External routine
	DELTEXT	External routine
	DTUSAGE	Well-defined module
	VERMPDT	Well-defined module
DRPECRT	DELDT	External routine
	UERROR	Well-defined module
	ERRPRO	External routine
	DELIERT	External routine
	DELROJE	External routine
DRPENT	CPFONE	External routine

DOCGROUP PS41100 Main Program Parts List

Main Pgm Name -----	Module Name -----	Module Type -----
	UERROR	Well-defined module
	CPFNXT	External routine
	VERENT	Well-defined module
	DELMTKC	External routine
	ADDRNUM	External routine
	DELTEXT	External routine
	VERECR	Well-defined module
	SELHP	Well-defined module
	FNDOAC	Well-defined module
	FNDAUC	Well-defined module
	DELMDKC	External routine
	DRPRCE	Well-defined module
	DRPCRE	External routine
	DELECNM	External routine
	DELECKW	External routine
	DELECON	External routine
	DELEC	External routine
DRPFLD	CPFONE	External routine
	UERROR	Well-defined module
	CPFNXT	External routine
	RETRFLD	Well-defined module
	ERRPRO	External routine
	MODYFLD	Well-defined module
	DELFLDS	External routine
	VERDBAS	Well-defined module
	SELFLDS	External routine
DRPHST	CPFONE	External routine
	UERROR	Well-defined module
	CPFNXT	External routine

DOCGROUP PS41100 Main Program Parts List

Main Pgm Name -----	Module Name -----	Module Type -----
DRPKC	ERRPRO	External routine
	VERHST	Well-defined module
	ADDRNUM	External routine
	DELHST	External routine
DRPKW	CPFONE	External routine
	UERROR	Well-defined module
	CPFNXT	External routine
	ERRPRO	External routine
	VERKC	Well-defined module
	VERKCT1	Well-defined module
	CHKCAT	External routine
	ADDRNUM	External routine
	DELKCM	External routine
	DELCMPR	External routine
	DELKC	External routine
	VERCRC	Well-defined module
	DRPMGKM	Well-defined module
DRPKWC	CPFONE	External routine
	UERROR	Well-defined module
	CPFNXT	External routine
	LOWUPP	Well-defined module
	VERKW	Well-defined module
	DELKWAC	External routine
	DELKWEC	External routine
DELKWRC	External routine	
DRPKWC	CPFONE	External routine
	UERROR	Well-defined module
	CPFNXT	External routine

DOCGROUP PS41100 Main Program Parts List

Main Pgm Name -----	Module Name -----	Module Type -----
	VERKW	Well-defined module
	ADDRNUM	External routine
	DELTEXT	External routine
	DELKWAC	External routine
	DELKWEC	External routine
	DELKWRC	External routine
	DELKW	External routine
DRPMAP	CPFONE	External routine
	UERROR	Well-defined module
	CPFNXT	External routine
	CONVCPF	External routine
	ERRPRO	External routine
	VERAISM	Well-defined module
	VERAUC	Well-defined module
	VERENT	Well-defined module
	VERCR	Well-defined module
	VERROJ	Well-defined module
	VERLR	Well-defined module
	DRPALTG	External routine
	VERRCST	Well-defined module
	DELRCST	External routine
	DRPPRF1	Well-defined module
	DRSPRF	Well-defined module
	DELROJ	External routine
DRPMGKM	UERROR	Well-defined module
	ERRPRO	External routine
	DELMIGK	External routine
DRPMGRC	UERROR	Well-defined module

DOCGROUP PS41100 Main Program Parts List

Main Pgm Name -----	Module Name -----	Module Type -----
DRPMIG	ERRPRO	External routine
	DLMIGRC	External routine
	CPFONE	External routine
	UERROR	Well-defined module
	VERKC	Well-defined module
DRPMOD	VERRCC	Well-defined module
	DRPMGRC	External routine
	DELCPRC	External routine
	CPFONE	External routine
	UERROR	Well-defined module
DRPPART	ERRPRO	External routine
	UWARN	Well-defined module
	VERMOD	Well-defined module
	ADDRNUM	External routine
	DELTEXT	External routine
	DELMOD	External routine
	FNDECM	Well-defined module
	FNDACM	Well-defined module
	UERROR	Well-defined module
	ERRPRO	External routine
DRPPRF1	HPNLOOK	Well-defined module
	DELHPNA	External routine
	UERROR	Well-defined module
	ERRPRO	External routine
	ECRTALL	Well-defined module
DRPRULE	Well-defined module	
DRPECRT	External routine	



DOCGROUP PS41100 Main Program Parts List

Main Pgm Name -----	Module Name -----	Module Type -----
DRPPSB	DELMTAG	External routine
	CPFONE	External routine
	UERROR	Well-defined module
	CPFNXT	External routine
	ERRPRO	External routine
	VERPSB	Well-defined module
DRPRCE	DELPSB	External routine
	UERROR	Well-defined module
	ERRPRO	External routine
	DELRC	External routine
	ADDRNUM	External routine
	DELTEXT	External routine
	DELLR	External routine
	DELRCWK	External routine
	VERRCB	Well-defined module
	DRPREC	UERROR
SELURT		Well-defined module
ADDRNUM		External routine
DELTEXT		External routine
VERHORZ		Well-defined module
DELRTY2		External routine
GETDRT		Well-defined module
DELDA2		External routine
DELDFL2		External routine
SELRSET		Well-defined module
SELSTM		Well-defined module
DELDSL2		External routine
ECRTCHK		Well-defined module

DOCGROUP PS41100 Main Program Parts List

Main Pgm Name -----	Module Name -----	Module Type -----
	VERROJR	Well-defined module
DRPREL	VERAIM	Well-defined module
	CPFONE	External routine
	UERROR	Well-defined module
	CPFNXT	External routine
	UWARN	Well-defined module
	VERRCC	Well-defined module
	VERENT	Well-defined module
	DELMTKC	External routine
	DELRC	External routine
	VERROJ	Well-defined module
	VERLR	Well-defined module
	ADDRNUM	External routine
	DELTEXT	External routine
	DELLR	External routine
	DELRCCKW	External routine
	VERRCB	Well-defined module
	DRPMGRC	External routine
DRPRNG	DELCPRC	External routine
DRPRNGA	ERRPRO	External routine
DRPRULE	ERRPRO	External routine
DRPSET	ERRPRO	External routine
	CPFONE	External routine
	UERROR	Well-defined module
	ERRPRO	External routine
	FNDASA	Well-defined module

DOCGROUP PS41100 Main Program Parts List

Main Pgm Name -----	Module Name -----	Module Type -----
	VERRSET	Well-defined module
	VERDBAS	Well-defined module
	ADDRNUM	External routine
	DELTEXT	External routine
	VERRSUS	Well-defined module
	DELRST2	External routine
	VERRCBS	Well-defined module
	DELSTM2	External routine
	DLDSL2	External routine
DRPSMAP	UERROR	Well-defined module
	CPFNXT	External routine
	CPFCOR	External routine
	CPFVAL	External routine
	LOWUPP	Well-defined module
	ERRPRO	External routine
	CHKSTMP	External routine
	VERDFID	Well-defined module
	VERDB	Well-defined module
	VERRT	Well-defined module
	VERSMS	Well-defined module
	ECRTALL	Well-defined module
	DEL1PDF	External routine
	VERAPDF	Well-defined module
	DEL1ASM	External routine
	DEL1AIM	External routine
	VERECRT	Well-defined module
	ALT1ERT	External routine
	FNDRCM	Well-defined module
DRPSMOD	DELIRCS	External routine

DOCGROUP PS41100 Main Program Parts List

Main Pgm Name -----	Module Name -----	Module Type -----
	CPFONE	External routine
	UERROR	Well-defined module
	CPFNXT	External routine
	UWARN	Well-defined module
	VERSMOD	Well-defined module
	DELPARM	External routine
	DELSMOD	External routine
	CDNMOD	External routine
	CDRPXRF	External routine
	CDRPESU	External routine
	CDDGAP	External routine
DRPSPRF		
	UERROR	Well-defined module
	ERRPRO	External routine
	ECRTALL	Well-defined module
	DRPRULE	External routine
	SELAIMP	Well-defined module
	DRPDFMP	External routine
	DRPSTMP	Well-defined module
DRPSTMP		
	UERROR	Well-defined module
	ERRPRO	External routine
	SELDBNM	Well-defined module
	DEL1ASM	External routine
DRPUNIN		
	UERROR	Well-defined module
	ERRPRO	External routine
	DBLOOK	External routine
	SELURT	Well-defined module
DRPVAL		
	ERRPRO	External routine

DOCGROUP PS41100 Main Program Parts List

Main Pgm Name -----	Module Name -----	Module Type -----
DRPVALA	ERRPRO	External routine
DRPVIEW	CPFONE	External routine
	UERROR	Well-defined module
	CPFNXT	External routine
	UWARN	Well-defined module
	VERVIEW	Well-defined module
	DELTEXT	External routine
	DELPDI	External routine
	DRPDIV	External routine
	DELDIV	External routine
	DELQCTG	External routine
	DELECRF	External routine
	DELQCRF	External routine
	DELVIEW	External routine
DRPVMOD	ERRPRO	External routine
DTUSAGE	VERDFDT	Well-defined module
	VERDIDT	Well-defined module
ECLOOK	UERROR	Well-defined module
	ERRPRO	External routine
ECRTALL	ERRPRO	External routine
ECRTCHK	ERRPRO	External routine
ECSTRUC	ERRPRO	External routine
	SQLSCA	External routine
	SQLSCH	External routine

DOCGROUP PS41100 Main Program Parts List

Main Pgm Name -----	Module Name -----	Module Type -----
	SQLSCC	External routine
	SQLSQ	External routine
	SQLXEXE	External routine
	SQLFCH	External routine
	FNDEC	Well-defined module
	SQLTFL	External routine
	SQLOPN	External routine
	STRNCPY	External routine
	SQLBS2	External routine
	ERRRPT	Well-defined module
	SQLAD2	External routine
	SQLAB2	External routine
	BLECLST	External routine
ENTKW		
	ERRPRO	External routine
	RETECKW	Well-defined module
	RECKW2	Well-defined module
ERRRPT		
	ERRPRO	External routine
	SPRINTF	External routine
ERRTRAP		
	TRMDDL	Well-defined module
	EXIT	External routine
	TRMDML	External routine
EXCFLAG		
FCOPATT		
	CPFONE	External routine
	UERROR	Well-defined module
	ERRPRO	External routine
	UWARN	Well-defined module
	VERATT	Well-defined module

DOCGROUP PS41100 Main Program Parts List

Main Pgm Name -----	Module Name -----	Module Type -----
	ADDPARM	External routine
	GENDESC	Well-defined module
	NFLOPEN	Well-defined module
	NFLCLOS	Well-defined module
	GENALI	Well-defined module
	GENATT	Well-defined module
FCOPENT		
	UERROR	Well-defined module
	ERRPRO	External routine
	CESTRUC	External routine
	CERELS	External routine
FETITAG		
	UERROR	Well-defined module
	ERRPRO	External routine
	VERATAG	Well-defined module
	SQLSCA	External routine
	SQLBS1	External routine
	SQLSCH	External routine
	SQLSCC	External routine
	SQLTOC	External routine
	SQLOSQ	External routine
	SQLADR	External routine
	SQLAB1	External routine
	SQLEXE	External routine
	SQLCLS	External routine
	SQLAD1	External routine
	SQLFCH	External routine
	GETRCID	Well-defined module
FILEINS		
	UERROR	Well-defined module
	ERRPRO	External routine

DOCGROUP PS41100 Main Program Parts List

Main Pgm Name -----	Module Name -----	Module Type -----
	CLSFIL	External routine
	OPNFIL	External routine
	INPFIL	External routine
	DELTXT	External routine
FINDDOM		
FLDSEMS	ERRPRO	External routine
	UERROR	Well-defined module
	VERDTYP	Well-defined module
	ERRPRO	External routine
FMTIAUC		
FND1MEM	ADDPARM	External routine
	UERROR	Well-defined module
	ERRPRO	External routine
FNDACM		
	UERROR	Well-defined module
	ERRPRO	External routine
	SELACNM	Well-defined module
	ADDRNUM	External routine
	DELTEXT	External routine
	DELAC	External routine
	DELACNM	External routine
	DELACKW	External routine
FNDASA		
FNDASM	ERRPRO	External routine
FNDAUC	ERRPRO	External routine
	UERROR	Well-defined module
	ERRPRO	External routine



DOCGROUP PS41100 Main Program Parts List

Main Pgm Name -----	Module Name -----	Module Type -----
	DELAUC	External routine
FNDEC	ERRPRO	External routine
FNDECCM	UERROR	Well-defined module
	ERRPRO	External routine
	ADDPARM	External routine
FNDECCR	ERRPRO	External routine
FNDECM	UERROR	Well-defined module
	ERRPRO	External routine
	SELECNM	Well-defined module
	ADDRNUM	External routine
	DELTEXT	External routine
	DELMDKC	External routine
	DELECNM	External routine
	DELECKW	External routine
	DELECON	External routine
	DELEC	External routine
	DELOACE	External routine
	DLMDAUC	External routine
	DELMDRC	External routine
FNDECM1	ERRPRO	External routine
FNDOAC	UERROR	Well-defined module
	ERRPRO	External routine
	DELOAC	External routine
FNDPDF	ERRPRO	External routine

DOCGROUP PS41100 Main Program Parts List

Main Pgm Name -----	Module Name -----	Module Type -----
FNDRCEC		
	ERRPRO	External routine
FNDRCIE		
	ERRPRO	External routine
FNDRCM		
	ERRPRO	External routine
FREELST		
	FREE	External routine
	FREELST	Well-defined module
FREGECLST		
	PRINTF	External routine
	FREGECLST	Well-defined module
	FREE	External routine
FRELST1		
	FRELST1	Well-defined module
	FREE	External routine
FRELST2		
	FREE	External routine
	FRELST2	Well-defined module
FRETAGLST		
	FREE	External routine
	FRETAGLST	Well-defined module
FRTOREL		
	ERRPRO	External routine
	UWARN	Well-defined module
	ADDPARM	External routine
	SELRCNM	Well-defined module
GEN1DSC		
	ERRPRO	External routine
	ADDPARM	External routine
	ADDTXT	External routine

DOCGROUP PS41100 Main Program Parts List

Main Pgm Name -----	Module Name -----	Module Type -----
GENAKW	ERRPRO	External routine
	ADDPARM	External routine
GENALG	ERRPRO	External routine
	WRTALG	Well-defined module
GENALI		
	ADDPARM	External routine
GENALT1		
	ADDPARM	External routine
	VERKCT1	Well-defined module
	NEXTKC	Well-defined module
	NEXTKCM	Well-defined module
GENALTE		
	ADDPARM	External routine
	VERKCT1	Well-defined module
	NEXTKC	Well-defined module
	NEXTKCM	Well-defined module
GENAREL		
	ERRPRO	External routine
	ADDPARM	External routine
GENATT		
	ADDPARM	External routine
	GENAKW	External routine
GENATTR		
	ERRPRO	External routine
	VERATT	Well-defined module
	ADDPARM	External routine
	GENDESC	Well-defined module
	VERKCM	Well-defined module
	COPAKW	External routine