

AD-A207 179

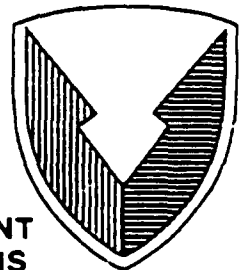
3

REPORT NO. EVT 30-87

MIL-STD-1660 TEST  
OF  
BIG LEAF MAPLE PALLET

SDTIC  
ELECTE  
APR 25 1989  
E D

This document has been approved  
for public release and sales in  
distribution is unlimited.



US ARMY  
ARMAMENT  
MUNITIONS  
CHEMICAL COMMAND

US ARMY DEFENSE AMMUNITION  
CENTER AND SCHOOL

EVALUATION DIVISION  
SAVANNA, ILLINOIS 61074-8639

89

4 25 044

REPORT DOCUMENTATION PAGE		READ INSTRUCTIONS BEFORE COMPLETING FORM
1. REPORT NUMBER EVT 30-87	2. GOVT ACCESSION NO.	3. RECIPIENT'S CATALOG NUMBER
4. TITLE (and Subtitle) MIL-STD-1660 Test of Big Leaf Maple Pallet		5. TYPE OF REPORT & PERIOD COVERED FINAL
7. AUTHOR(s) Alfred C. McIntosh, Jr.		6. PERFORMING ORG. REPORT NUMBER
9. PERFORMING ORGANIZATION NAME AND ADDRESS U.S. Army Defense Ammunition Center and School ATTN: SMCAC-DEV Savanna, IL 61074-9639		8. CONTRACT OR GRANT NUMBER(s)
11. CONTROLLING OFFICE NAME AND ADDRESS		10. PROGRAM ELEMENT, PROJECT, TASK AREA & WORK UNIT NUMBERS
14. MONITORING AGENCY NAME & ADDRESS (if different from Controlling Office) U.S. Army Armament, Munitions and Chemical Command ATTN: SMCAR-ESK Rock Island, IL 61299-7300		12. REPORT DATE November 1987
		13. NUMBER OF PAGES 28
		15. SECURITY CLASS. (of this report) UNCLAS
16. DISTRIBUTION STATEMENT (of this Report) UNLIMITED		15a. DECLASSIFICATION/DOWNGRADING SCHEDULE
17. DISTRIBUTION STATEMENT (of the abstract entered in Block 20, if different from Report)		
18. SUPPLEMENTARY NOTES		
19. KEY WORDS (Continue on reverse side if necessary and identify by block number) MIL-STD-1660 Hardwood MIL-L-15011-J Standard Wood Pallet		
20. ABSTRACT (Continue on reverse side if necessary and identify by block number) The U.S. Army Defense Ammunition Center and School (USADACS) was tasked by the U.S. Army Armament, Munitions and Chemical Command (AMCCOM), SMCAR-ESK, to evaluate a MIL-P-15011-J type pallet fabricated from West Coast Big Leaf Maple wood. Maple, as determined by the wood industry, is usually classified as a soft wood, not meeting the requirements of MIL-P-15011-J requirements for fabrication of ammunition pallets. The majority of Big Leaf Maple characteristics and properties are similar to the hardwoods. In order to determine whether Big Leaf Maple would be suitable for an ammunition pallet, a pallet (cont)...		

→ fabricated from that material was obtained from Precision Wood Products, Inc., Vancouver, WA, and configured to a 4,200-lb ammunition test load. The sample pallet was subjected to MIL-STD-1660 testing criteria. The results of these tests indicate that Big Leaf Maple, as tested to the quality provided, can be considered a material suitable for ammunition pallets. JCS

REPORT NO. EVT 30-87

MIL-STD-1660 TEST OF BIG LEAF MAPLE PALLET

November 1987

Accession For	
NTIS GRA&I	<input checked="" type="checkbox"/>
DTIC TAB	<input type="checkbox"/>
Unannounced Justification	<input type="checkbox"/>
By _____	
Distribution/	
Availability Codes	
Dist	Avail and/or Special
A-1	

EVALUATION DIVISION

U.S. Army Defense Ammunition Center and School  
Savanna, IL 61074-9639

AVAILABILITY NOTICE

A copy of this report is furnished each attendee on automatic distribution. Additional copies or authority for reprinting may be obtained by written request from Director, U.S. Army Defense Ammunition Center and School. ATTN: SMCAC-DEV, Savanna, IL 61074-9639.

DISTRIBUTION INSTRUCTIONS

Destroy this report when no longer needed. Do not return.

\* \* \*

Citation of trade names in this report does not constitute an official endorsement.

\* \* \*

The information contained herein will not be used for advertising purposes.

## ABSTRACT

The U.S. Army Defense Ammunition Center and School (USADACS) was tasked by the U.S. Army Armament, Munitions and Chemical Command (AMCCOM), SMCAR-ESK, to evaluate a MIL-P-15011-J type pallet fabricated from West Coast Big Leaf Maple wood. Maple, as determined by the wood industry, is usually classified as a soft wood, not meeting the requirements of MIL-P-15011-J requirements for fabrication of ammunition pallets. The majority of Big Leaf Maple characteristics and properties are similar to the hardwoods. In order to determine whether Big Leaf Maple would be suitable for an ammunition pallet, a pallet fabricated from that material was obtained from Precision Wood Products, Inc., Vancouver, WA, and configured to a 4,200-lb ammunition test load. The sample pallet was subjected to MIL-STD-1660 testing criteria. The results of these tests indicate that Big Leaf Maple, as tested to the quality provided, can be considered a material suitable for ammunition pallets.

U.S. Army Defense Ammunition Center and School

Savanna, IL 61073-9429

REPORT NO. EVT-30-87

MIL-STD-1660 TEST OF BIG LEAF MAPLE PALLET

TABLE OF CONTENTS

	PAGE
PART I - GENERAL	
A. INTRODUCTION.....	I-1
B. AUTHORITY.....	I-1
C. OBJECTIVE.....	I-1
PART II - LIST OF ATTENDEES.....	II-1
PART III - TEST PROCEDURES.....	III-1
PART IV - TEST EQUIPMENT.....	IV-1
PART V - TEST RESULTS.....	V-1
PART VI - CONCLUSIONS AND RECOMMENDATIONS.....	VI-1
PART VII - PHOTOGRAPHS.....	VII-1
PART VIII- UNITIZATION PROCEDURES.....	VIII-1

## PART I

A. INTRODUCTION. The U.S. Army Defense Ammunition Center and School (USADACS) has been tasked by the U.S. Army Armament, Munitions and Chemical Command (AMCCOM), ATTN: SMCAR-ESK, to evaluate a softwood pallet fabricated from West Coast grown Big Leaf Maple. This particular lumber exhibits properties of hardwood that are required by MIL-P-15011-J specifications for Type A 4,000-lb ammunition pallets. The pallet used in this evaluation was supplied by Precision Wood Products, Inc., Vancouver, WA.

B. AUTHORITY. This study was conducted in accordance with mission responsibilities delegated by AMCCOM.

C. OBJECTIVE. The objective of this test is to evaluate the Big Leaf Maple softwood pallet for conformance to MIL-STD-1660 testing requirements as fabricated in a MIL-P-15011-J pallet configuration.



PART II

ATTENDEES

NAME	ADDRESS
Mr. Alfred C. McIntosh, Jr. Test Engineer	Director U.S. Army Defense Ammunition Center and School ATTN: SMCAC-DEV Savanna, IL 61074-9539 AV 585-8989

### PART III.

#### TEST PROCEDURES

The test procedures outlined in this section are extracted from MIL-STD 1660, Design Criteria for Ammunition Unit Loads dated 8 April 1977. This standard identifies nine steps that a unitized load must undergo if it is considered to be acceptable. These tests are synopsized below:

1. STACKING TESTS. The unit load shall be loaded to simulate a stack of identical unit loads stacked 16-feet high, for a period of one hour. This stacking load is simulated by subjecting the unit load to a compression of weight equal to an equivalent 16-foot stacking height. The compression load is calculated in the following manner. The unit load weight is divided by the unit load height in inches and multiplied by 192. The resulting number is the equivalent compressive force of a 16-foot high load.
2. REPETITIVE SHOCK TEST. The repetitive shock test shall be conducted in accordance with Method 5019, Federal Standard 101. The test procedure is as follows. The test specimen shall be placed on, but not fastened to, the platform. With the specimen in one position, vibrate the platform at 1/2-inch amplitude (1-inch double amplitude) starting at a frequency of about 3-cycles per second. Steadily increase the frequency until the package leaves the platform. The resonant frequency is achieved when a 1/16-inch thick feeler may be momentarily slid freely between every point on the specimen in contact with the platform at some instance during the cycle or a platform acceleration achieves one plus or minus zero point one G. Midway into the testing period the specimen shall be rotated 90-degrees and the test continued for the

duration. If failure occurs, the total time of vibration shall be two hours if the specimen is tested in one position; and if tested in more than one position, the total time shall be three hours.

3. EDGEWISE DROP TEST. This test shall be conducted by using the procedures of Method 5008, Federal Standard 101. The procedure for the Edgewise Drop (Rotational) Test is as follows: The specimen shall be placed on its bottom with one end of the base of the container supported on a sill nominally 6-inches high. The height of the sill shall be increased if necessary to ensure that there will be no support for the base between the ends of the container when dropping takes place, but should not be high enough to cause the container to slide on the supports when the dropped end is raised for the drops. The unsupported end of the container shall then be raised and allowed to fall freely to the concrete, pavement, or similar underlying surface from a prescribed height. Unless otherwise specified, the height of drop for level A protection shall conform to the following tabulation.

GROSS WEIGHT NOT EXCEEDING	DIMENSIONS ON ANY EDGE NOT EXCEEDING	HEIGHT OF DROP LEVEL A PROTECTION
Pounds	Inches	Inches
600	72	36
3,000	no limit	24
no limit	no limit	12

4. IMPACT TEST. This test shall be conducted by using the procedure of Method 5023, Incline-Impact Test of Federal Standard 101. The procedure for the Incline-Impact Test is as follows:

The specimen shall be placed on the carriage with the surface or edge which is to be impacted projecting at least 2 inches beyond the front end of the

carriage. The carriage shall be brought to a predetermined position on the incline and released. If it is desired to concentrate the impact on any particular position on the container, a 4x4-inch timber may be attached to the bumper in the desired position before the test. No part of the timber shall be struck by the carriage. The position of the container on the carriage and the sequence in which surfaces and edges are subjected to impacts may be at the option of the testing activity and will depend upon the objective of the tests. When the test is to determine satisfactory requirements for a container or pack and unless otherwise specified the specimen shall be subjected to one impact on each surface that has each dimension less than 9.5-feet. Unless otherwise specified, the velocity at time of impact shall be 7-feet per second.

PART IV

TEST EQUIPMENT

1. TEST SPECIMEN.

- a. Drawing Number: 19-48-4116/15C 20PA1002
- b. Width: 49-3/4 in
- c. Length: 40-1/2 in
- d. Height: 34-1/4 in
- e. Weight: 4,200 lbs

2. COMPRESSION TESTER.

- a. Manufacturer:
- b. Platform: 60 inches by 60 inches
- c. Compression Limit: 50,000 pounds
- d. Tension Limit: 50,000 pounds

3. TRANSPORTATION SIMULATOR.

- a. Manufacturer: Gaines Laboratory
- b. Capacity: 6,000-pound pallet
- c. 1/2-inch Amplitude
- d. Speed: 50 to 3000 cpm
- e. Platform: 5 foot by 8 foot

4. INCLINED RAMP.

- a. Manufacturer: Conbur Incline
- b. Impact Tester
- c. 10 Percent Incline
- d. 12-foot Incline

PART V  
TEST RESULTS

1. STACKING TEST.

Pallet weight: 4,200 lbs

Pallet Height: 34-1/2 in

Test Load Weight: 16,627 lbs

The subject pallet was loaded to 17,000 lbs compression for a period of one hour. At the end of that period of time, the compression load decreased to 16,000 lbs. When the test specimen was removed from the compression tester, no measurable deformation in the unit load was realized.

2. REPETITIVE SHOCK TEST. The subject pallet successfully passed the longitudinal transportation test in a 90-minute period. Rotating the pallet 90 degrees and subjecting it to a second 90-minute period in the transportation simulator caused no damage to the pallet or strapping. Operational speed of the transportation simulator for these two tests was 160 rpm. Approximate driving force into the load from the transportation simulator table is .4 G acceleration.

3. EDGEWISE DROP TEST. Each side of the pallet base is placed on a beam in turn displacing it six inches above the floor. The opposite side is raised to a height of 24 inches above the floor and then dropped. Impacts one and three had the skids oriented longitudinal to the direction of the drop. Drops two and four, the skids were oriented parallel to the drop. The results of drops one and three did not cause any damage to the pallet. Drops two and four caused the outside skids to crack, but not separate from the pallet base. No damage was caused to the test load.

4. INCLINED IMPACT. The inclined impact test consists of placing the Big

Leaf Maple pallet with its 4,000-lb unit load on an inclined sled with 2 inches of the pallet projecting over the edge of the sled. The sled is then raised approximately 8 ft up the ramp and released allowing it to accelerate and impact into a solid wall. This test is repeated once on each side of the pallet. After completing this test, the pallet was observed to find that no additional breaks or damage was caused to the unitization.

## PART VI

### CONCLUSIONS AND RECOMMENDATIONS.

1. CONCLUSIONS. The Big Leaf Maple pallet supplied by Precision Wood Products, Inc., Vancouver, WA, was subjected to MIL-STD-1660 testing procedures for ammunition pallets that are fabricated to MIL-P-15011-J specifications. This pallet performed quite well in terms of maintaining a unit load of 4,200 lbs. No physical damage occurred to the load unitized on the pallet. The pallet, however, sustained minimal damage in that the outer skids when dropped on an edgewise drop test, cracked. The cracked skids did not separate from the pallet.

2. RECOMMENDATIONS. In order to further verify the Big Leaf Maple pallet as being an acceptable hard softwood for fabrication of ammunition pallets to the criteria of MIL-P-15011-J, it is recommended that a MIL-STD-1660 test sequence identical to the one performed here be placed on a standard hardwood pallet with the same configuration as this test specimen. The second test will further verify the usefulness of Big Leaf Maple as an alternate material for Oak in fabrication of ammunition pallets.



PART VII

PHOTOGRAPHS

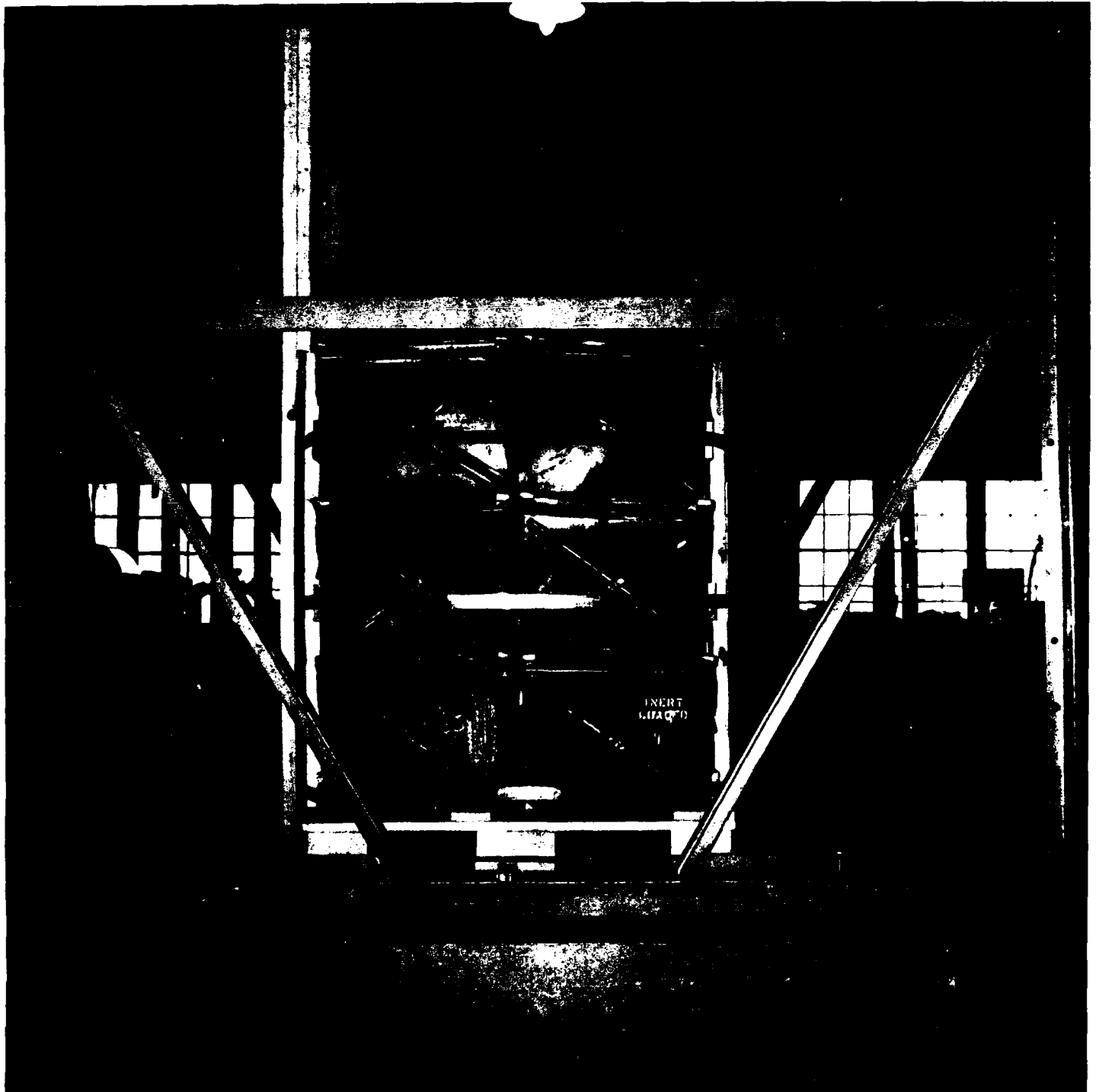
DEFENSE AMMUNITION CENTER AND SCHOOL - SAVANNA, IL

Photo No. 1. This photo shows the Big Leaf Maple pallet in the compression tester.



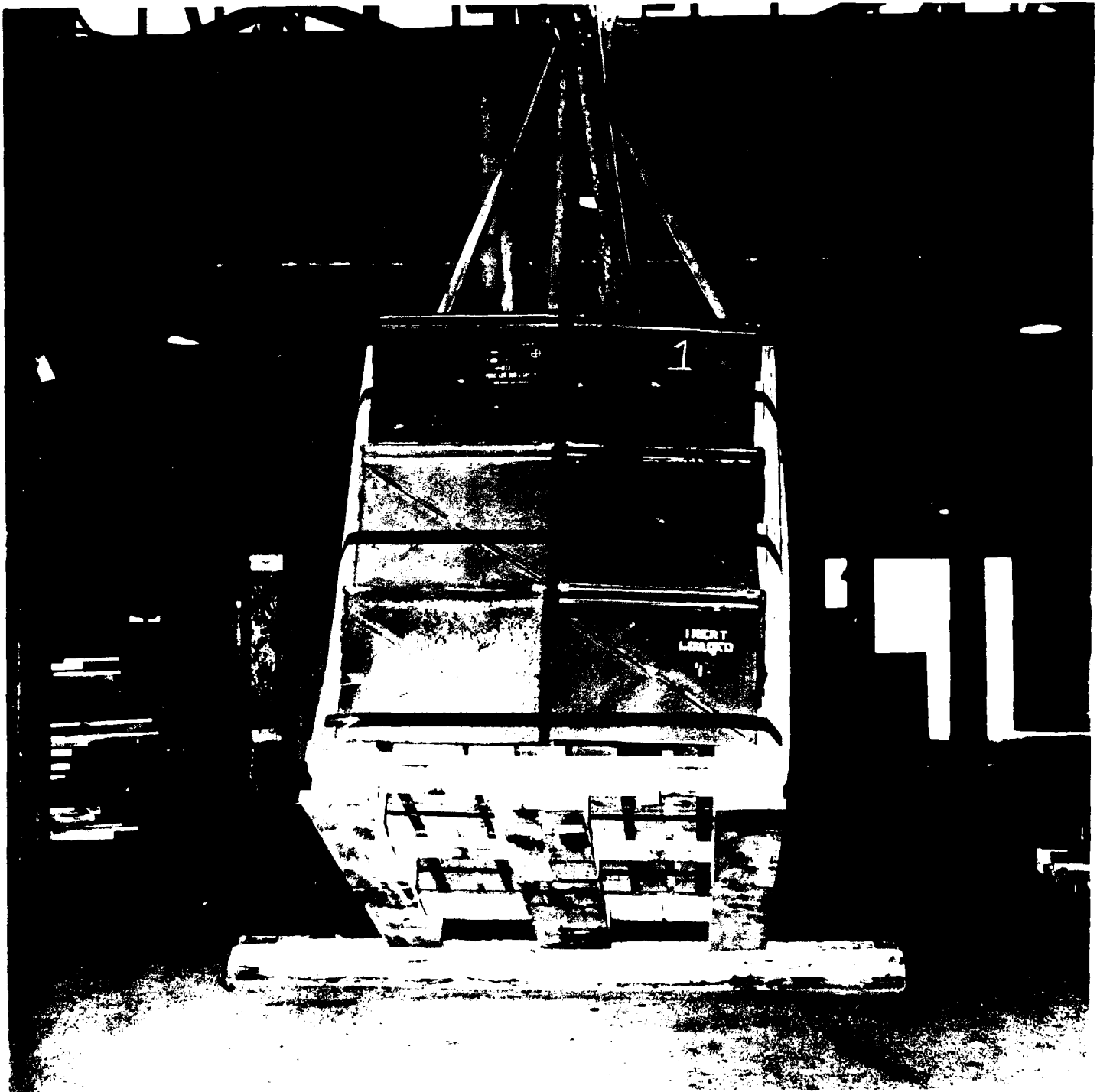
DEFENSE AMMUNITION CENTER AND SCHOOL- SAVANNA, IL

Photo No. 2. This photo shows the Big Leaf Maple pallet with 4,200-lb load in the transportation simulator. The orientation is considered lateral.



DEFENSE AMMUNITION CENTER AND SCHOOL - SAVANNA, IL

Shot No. 7. This photo shows the Big Leaf Maple pallet ready for dropping in the normal airwise drop test. This is a longitudinal orientation.



**DEFENSE AMMUNITION CENTER AND SCHOOL - SAVANNA, IL**

Photo No. 4. This photo shows the Big Leaf Maple pallet for the first edgewise rotational drop in the lateral position. Damage sustained during this drop was a cracking of the uppermost skid. This cracking did not cause complete separation from the pallet.



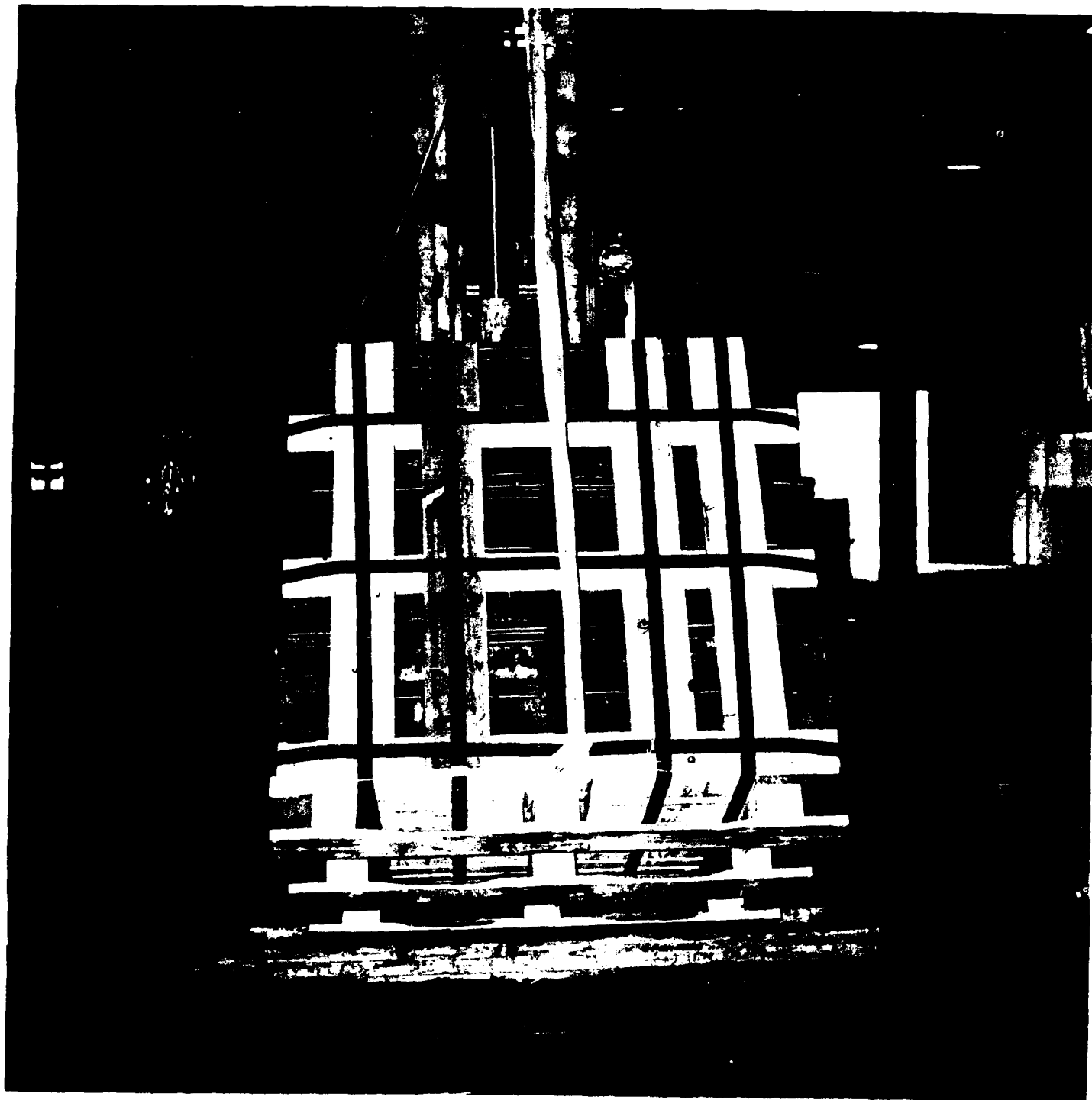
**DEFENSE AMMUNITION CENTER AND SCHOOL - SAVANNA, IL**

Photo No. 5. This photo shows the Big Leaf Maple pallet ready for edgewise rotational drop on the third side. Orientation of the pallet skids is considered longitudinal. No damage occurred on this drop.



**DEFENSE AMMUNITION CENTER AND SCHOOL - SAVANNA, IL**

Photo No. 6. This photo shows the Big Leaf Maple pallet positioned for the fourth edgewise rotational drop. Skids are oriented laterally. Damage sustained was cracking of the upper skid on impact. The skid did not separate from the unitization.



**DEFENSE AMMUNITION CENTER AND SCHOOL - SAVANNA, IL**

Photo No. 7. This photo shows the Big Leaf Maple pallet after impacting on one side in the longitudinal skid orientation. No damage was sustained by the pallet or the unit packs.





DEFENSE AMMUNITION CENTER AND SCHOOL - SAVANNA, IL

Photo No. 8. This photo shows the Big Leaf Maple pallet after it was impacted on the second surface. No damage was sustained.



DEFENSE AMMUNITION CENTER AND SCHOOL- SAVANNA, IL

Photo No. 9. This photo shows the Big Leaf Maple pallet after impacting on the third side. No damage was sustained.



DEFENSE AMMUNITION CENTER AND SCHOOL - SAVANNA, IL

Photo No. 10. This photo shows the Big Leaf Maple pallet after impacting on the fourth and final side. No damage to the pallet or the unitization occurred. The racking was a result of the second impact.



PART VIII

UNITIZATION PROCEDURE

# APPENDIX 15C

## UNITIZATION PROCEDURES FOR BOXED AMMUNITION AND COMPONENTS ON 4-WAY ENTRY PALLETS

CARTRIDGE, 20MM, PACKED VARIOUS QUANTITIES  
PER M548 METAL BOX, UNITIZED 24 BOXES PER  
40" X 48" PALLET; APPROX BOX SIZE 18 $\frac{19}{32}$ " L X  
8 $\frac{19}{64}$ " W X 14 $\frac{19}{32}$ " H

① HAZARD CLASSIFICATION DATA CONTAINED IN THE CHART AT LEFT IS FOR GUIDANCE AND INFORMATIONAL PURPOSES ONLY. VERIFICATION OF THE SPECIFIED DATA SHOULD BE MADE BY CONSULTING THE MOST RECENT JOINT HAZARD CLASSIFICATION SYSTEM LISTING OR OTHER APPROVED LISTING(S).

PALLET UNIT DATA						
ITEMS INCLUDED		HAZARD CLASSIFICATION ①				WEIGHT ( LBS )
NSN	DODIC	DOT CLASS	CG CLASS	QD CLASS	COMP GROUP	
1305-						
00-785-2829	A651	C	I	1.4	C	3,981
00-522-3700	A651	C	I	1.4	C	3,981
00-935-6171	A659	A	IV	(04) 1.2	E	3,981
00-143-6919	A769	A	IV	(04) 1.2	E	3,189
00-143-6918	A770	A	IV	(04) 1.2	E	3,189
00-926-9278	A791	A	IV	(04) 1.2	E	3,981
00-143-7050	A813	A	IV	(04) 1.2	G	3,189
00-143-7049	A814	A	IV	(04) 1.2	G	3,189
00-180-9270	A833	A	IV	(04) 1.2	E	3,189
00-180-9271	A834	A	IV	(04) 1.2	E	3,189
00-143-7176	A835	A	IV	(04) 1.2	E	3,189
00-143-7177	A836	A	IV	(04) 1.2	E	3,189
00-143-7167	A846	A	IV	(04) 1.2	G	3,189
00-112-0491	A865	A	IV	(04) 1.2	E	3,189
00-112-0494	A865	A	IV	(04) 1.2	E	3,189
00-112-0492	A866	A	IV	(04) 1.2	E	3,189
00-112-0493	A866	A	IV	(04) 1.2	E	3,189
00-935-9104	A890	A	IV	(04) 1.2	E	3,981
00-935-2019	A892	C	I	1.4	C	3,981
00-799-8669	A924					3,981
01-116-3923	A924					3,501
01-116-3931	A890	A	IV	(04) 1.2	E	3,981
01-116-3930	A892	C	I	1.4	C	3,981
00-752-8114	A891	C	I	1.4	C	3,525
01-116-4560	A891	C	I	1.4	C	3,525
01-118-9928	A890	A	IV	(04) 1.2	E	3,981
01-118-9930	A651	C	I	1.4	C	3,981
01-118-9929	A659	A	IV	(04) 1.2	E	3,981

### REVISIONS

REVISION NO. 1, DATED NOVEMBER 1981, CONSISTS OF:

1. ADDING NATIONAL STOCK NUMBER TO THE "PALLET UNIT DATA" CHART.

2. REDESIGNING "FILLER ASSEMBLY".

REVISION NO. 2, DATED NOVEMBER 1982, CONSISTS OF:  
ADDING NOTE "J" TO GENERAL NOTES SECTION ON PAGE 2.

REVISION NO. 3, DATED DECEMBER 1983, CONSISTS OF:

1. CHANGING BOX DIMENSIONS.

NOTICE: THIS APPENDIX CANNOT STAND ALONE BUT MUST BE USED IN CONJUNCTION WITH THE BASIC UNITIZATION PROCEDURES DRAWING 19-48-4116-20PA1002.

REVISIONS				DATE	BY	CHKD BY
1	NOV 81	WFE	John & Boyd			
2	NOV 82	WFE	William F. East			
3	DEC 83	WFE	John & Boyd			
				U.S. ARMY DARCOM DRAWING		
				JUNE 1981		
				CLASS	DIVISION	ISSUING
				19	48	4116/ 15C
				FILE		
				20PA 1002		

THIS APPENDIX SUPERSEDES THE TWO-LAYER UNITIZATION PROCEDURES OF INTERIM DRAWING 19-48-4141-20PA1003, DATED FEBRUARY 1977.

**DO NOT SCALE**

SEAL FOR 1-1/4" STRAPPING (6 REQD, 1 PER STRAP). CRIMP EACH SEAL WITH TWO PAIR OF NOTCHES.

TIEDOWN STRAP, 1-1/4" X .035" OR .031" X 12'-8" LONG STEEL STRAPPING (4 REQD). SEE GENERAL NOTE "D" AT RIGHT.

LOAD STRAP, (ALTERNATE FOR HORIZONTAL STRAP), 1-1/4" X .035" OR .031" X 14'-2" LONG STEEL STRAPPING. THREAD LOAD STRAPS THRU PALLET STRAP SLOTS.

SUPPORT GATE (2 REQD). SEE DETAIL BELOW. STAPLE HORIZONTAL AND TIEDOWN STRAPS TO SUPPORT GATE AS SHOWN.

40" X 48" PALLET.

HORIZONTAL STRAP, 1-1/4" X .035" OR .031" X 16'-0" LONG STEEL STRAPPING (2 REQD). SEE GENERAL NOTE "C" AT RIGHT.

TYPICAL LOCATION FOR SECUREMENT OF A STRAP CUTTER. SEE GENERAL NOTE "E" AT RIGHT.

**PALLET UNIT**

SEE GENERAL NOTE "B" AT RIGHT.

24 BOXES OF 20MM CARTRIDGE (200 PER BOX) @ 160 LBS	3,840 LBS (APPROX)
DUNNAGE	61 LBS
PALLET	80 LBS
<b>TOTAL WEIGHT</b>	<b>3,981 LBS (APPROX)</b>
<b>CUBE</b>	<b>40.0 CU FT (APPROX)</b>

**GENERAL NOTES**

- THIS APPENDIX CANNOT STAND ALONE BUT MUST BE USED IN CONJUNCTION WITH THE BASIC UNITIZATION PROCEDURES DRAWING 19-48-4116-20PA1002. TO PRODUCE AN APPROVED UNIT LOAD, ALL PERTINENT PROCEDURES, SPECIFICATIONS AND CRITERIA SET FORTH WITHIN THE BASIC DRAWING WILL APPLY TO THE PROCEDURES DELINEATED IN THIS APPENDIX. ANY EXCEPTIONS TO THE BASIC PROCEDURES ARE SPECIFIED IN THIS APPENDIX.
- DIMENSIONS, CUBE AND WEIGHT OF A PALLET UNIT WILL VARY SLIGHTLY DEPENDING UPON THE ACTUAL DIMENSIONS OF THE BOXES AND THE WEIGHT OF THE SPECIFIC ITEM BEING UNITIZED.
- INSTALL EACH HORIZONTAL STRAP TO ENIRCLE EACH LAYER OF BOXES ON THE PALLET AND TO BE ALIGNED WITH THE HORIZONTAL PIECES OF THE "SUPPORT GATE" AS SHOWN. HORIZONTAL STRAPS MUST BE TENSIONED AND SEALED PRIOR TO APPLICATION OF TIEDOWN STRAPS.
- INSTALL EACH TIEDOWN STRAP TO PASS UNDER THE TOP DECK BOARDS OF THE PALLET AND TO BE ALIGNED WITH THE VERTICAL PIECES OF THE "SUPPORT GATE" AS SHOWN. TIEDOWN STRAPS WILL NOT BE APPLIED UNTIL THE HORIZONTAL STRAPS HAVE BEEN TENSIONED AND SEALED.
- THE FOLLOWING DARCOM DRAWINGS ARE APPLICABLE FOR OUTLOADING AND STORAGE OF THE ITEMS COVERED BY THIS APPENDIX.
  - CARLOADING ----- DRAWING 19-48-4115-SPA1002
  - TRUCKLOADING ----- DRAWING 19-48-4117-11PA1003
  - STORAGE ----- DRAWING 19-48-4118-1-2-3-4-14-22PA1002
- FOR METHOD OF SECURING A STRAP CUTTER TO THE PALLET UNIT, SEE DARCOM DRAWING 19-48-4127-20P1000.
- IF ITEMS COVERED HEREIN ARE UNITIZED PRIOR TO ISSUANCE OF THIS APPENDIX, THE BOXES NEED NOT BE REUNITIZED SOLELY TO CONFORM TO THIS APPENDIX.
- THE UNITIZATION PROCEDURES DEPICTED HEREIN MAY ALSO BE USED FOR UNITIZING 20MM CARTRIDGES WHEN IDENTIFIED BY DIFFERENT NATIONAL STOCK NUMBERS (NSN) THAN WHAT IS SHOWN ON THE TITLE PAGE, PROVIDED THE BOX PACK DOES NOT VARY FROM WHAT IS DELINEATED HEREIN. THE EXPLOSIVE CLASSIFICATION OF OTHER ITEMS MAY BE DIFFERENT THAN WHAT IS SHOWN.
- REGARDLESS OF THE QUANTITY OF BOXES TO BE PALLETIZED, THE TOTAL WEIGHT OF ANY PALLET UNIT WILL NOT EXCEED 4,000 POUNDS. WHEN THE TOTAL WEIGHT OF A FULLY LOADED PALLET UNIT EXCEEDS 4,000 POUNDS, ONE OR MORE LOADED BOXES MUST BE REMOVED, AND EITHER FILLER ASSEMBLIES, AS DEPICTED BELOW, OR EMPTY BOXES MUST BE SUBSTITUTED THEREFORE. FOR ADDITIONAL GUIDANCE, SEE THE "PROVISIONS FOR LESS-THAN-FULL-LAYER LOADS" ON PAGE 5 OF THE BASIC UNITIZATION PROCEDURES DRAWING 19-48-4116-20PA1002.

**BILL OF MATERIAL**

LUMBER	LINEAR FEET	BOARD FEET
1" X 4"	16.00	5.33
2" X 6"	19.00	19.00

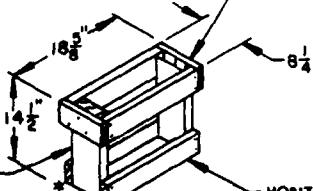
NAILS	NO. REQD	POUNDS
6d (2")	48	0.28

PALLET, 40" X 48"	1 REQD	80 LBS
STEEL STRAPPING, 1-1/4"	82.67 REQD	11.81 LBS
SEAL FOR 1-1/4" STRAPPING	6 REQD	NIL
STAPLE	24 REQD	NIL

FILL PIECE, 1" X 4" X 8-1/4" (2 REQD). NAIL TO THE VERTICAL PIECE W/3-6d NAILS.

VERTICAL PIECE 2" X 6" X 14-1/2" (2 REQD).

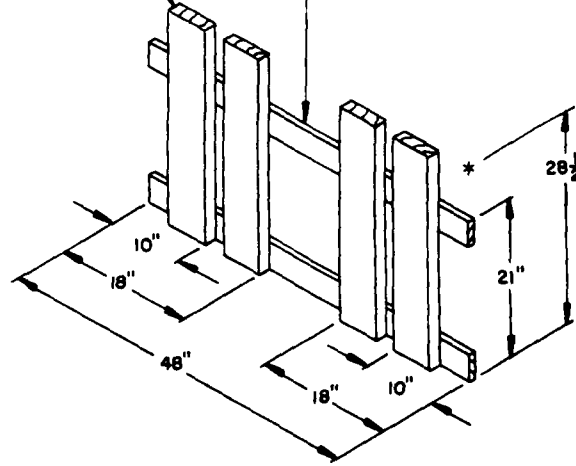


**FILLER ASSEMBLY**  
(FOR MINUS ONE BOX)

HORIZONTAL PIECE, 2" X 4" X 18" (4 REQD). NAIL TO VERTICAL PIECES W/2-10d NAILS AT EACH JOINT.

VERTICAL PIECE, 2" X 6" X 28-1/2" (4 REQD).

HORIZONTAL PIECE, 1" X 4" X 48" (2 REQD). NAIL TO VERTICAL PIECES W/3-6d NAILS AT EACH LOCATION.



**SUPPORT GATE**  
(2 REQD).