

4

December 1987

NCEL

Contract Report

An Investigation Conducted By
MAR Incorporated, Rockville, MD
Sponsored By Naval Facilities
Engineering Command

DEPLOYABLE WATERFRONT TRANSPORTABILITY STUDY USING ^{HEAVY} LIFT SUBMERSIBLE SHIPS: FINAL REPORT

ABSTRACT The Navy is engaged in a program to define and demonstrate Deployable Waterfronts that will provide worldwide logistics support for our forces in CONUS and overseas. These deployable waterfront facilities would serve such functions as: a) Strategic Sealift Ship unloading at fixed ports or Logistics Over the Shore (LOTS) sites, b) Advanced base pre-positioning, c) Advanced Logistics Support Bases for fleet replenishment, and d) Relocatable piers for homeporting and for Strategic Sealift Support Facilities restoration in the event of damage. Homeported and pre-positioned platforms could also provide some peacetime cost offsetting advantages over present support systems.

An investigation was conducted into the use and availability of heavy lift semi-submersible ships for transporting deployable waterfronts.

DTIC
SELECTED
FEB 05 1988
D

NAVAL CIVIL ENGINEERING LABORATORY PORT HUENEME CALIFORNIA 93043

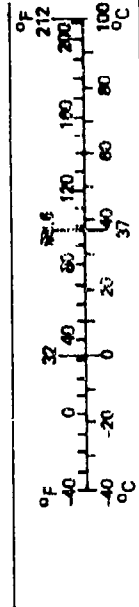
Approved for public release; distribution is unlimited.

88 1 29 024

METRIC CONVERSION FACTORS

Approximate Conversions to Metric Measures				Approximate Conversions from Metric Measures			
Symbol	When You Know	Multiply by	To Find	Symbol	When You Know	Multiply by	To Find
in ft yd mi	inches	*2.5 30 0.9 1.6	centimeters	mm	millimeters	LENGTH	inches
	feet		centimeters		cm		inches
	yards		meters		m		feet
	miles		kilometers		km		yards
in ² ft ² yd ² mi ²	square inches	AREA	square centimeters	cm ²	square centimeters	AREA	square inches
	square feet		square meters		m ²		square meters
	square yards		square meters		m ²		square yards
	square miles		square kilometers		km ²		square miles
	acres		hectares		ha		acres
oz lb	ounces	MASS (weight)	grams	g	grams	MASS (weight)	ounces
	pounds (2,000 lb)		kilograms		kg		pounds
tsp Tbsp fl oz c pt qt gal ft ³ yd ³	teaspoons	VOLUME	milliliters	ml	milliliters	VOLUME	fluid ounces
	tablespoons		milliliters		ml		pints
	fluid ounces		milliliters		ml		quarts
	cups		liters		l		gallons
	pints		liters		l		cubic feet
	quarts		liters		l		cubic yards
	gallons		liters		l		
cubic feet	cubic meters	m ³					
cubic yards	cubic meters	m ³					
°F	Fahrenheit temperature	TEMPERATURE (exact)	Celsius temperature	°C	Celsius temperature	TEMPERATURE (exact)	Fahrenheit temperature
			subtracting 32)				add 32)

*1 in = 2.54 (exactly). For other exact conversions and more detailed tables, see NBS Misc. Publ. 288, Units of Weights and Measures, Prior \$2.25, SD Catalog No. C13.10.286.



Unclassified

SECURITY CLASSIFICATION OF THIS PAGE (When Data Entered)

REPORT DOCUMENTATION PAGE		READ INSTRUCTIONS BEFORE COMPLETING FORM
1. REPORT NUMBER CR 88.004	2. GOVT ACCESSION NO.	3. RECIPIENT'S CATALOG NUMBER
4. TITLE (and Subtitle) Deployable Waterfront Transportability Study Using Heavy Lift Submersible Ships: Final Report	5. TYPE OF REPORT & PERIOD COVERED Final Jun 1986 - Nov 1987	
	6. PERFORMING ORG. REPORT NUMBER	
7. AUTHOR(s)	8. CONTRACT OR GRANT NUMBER(s) N00167-86-D-0119	
9. PERFORMING ORGANIZATION NAME AND ADDRESS MAR, Inc 6110 Executive Blvd, Ste 410 Rockville, MD 20852	10. PROGRAM ELEMENT, PROJECT, TASK AREA & WORK UNIT NUMBERS PE 62233N YM33-U62-20-N60A	
11. CONTROLLING OFFICE NAME AND ADDRESS Naval Civil Engineering Laboratory Port Hueneme, CA 93043-5003	12. REPORT DATE December 1987	
	13. NUMBER OF PAGES 60	
14. MONITORING AGENCY NAME & ADDRESS (if different from Controlling Office) Naval Facilities Engineering Command 200 Stovall Street Alexandria, VA 22332-2300	15. SECURITY CLASS. (of this report) Unclassified	
	15a. DECLASSIFICATION/DOWNGRADING SCHEDULE	
16. DISTRIBUTION STATEMENT (of this Report) Approved for public release; distribution is unlimited.		
17. DISTRIBUTION STATEMENT (of the abstract entered in Block 20, if different from Report)		
18. SUPPLEMENTARY NOTES		
19. KEY WORDS (Continue on reverse side if necessary and identify by block number) waterfront, transportability, heavy lift, semisubmersible		
20. ABSTRACT (Continue on reverse side if necessary and identify by block number) The Navy is engaged in a program to define and demonstrate Deployable Waterfronts that will provide worldwide logistics support for our forces in CONUS and overseas. These deployable waterfront facilities would serve such functions as: a) Strategic Sealift Ship unloading at fixed ports or Logistics Over the Shore (LOTS) sites, b) Advanced base pre-positioning, c) Advanced		

DD FORM 1 JAN 73 1473 EDITION OF 1 NOV 65 IS OBSOLETE

Unclassified

SECURITY CLASSIFICATION OF THIS PAGE (When Data Entered)

Unclassified

SECURITY CLASSIFICATION OF THIS PAGE (When Data Entered)

Logistics Support Bases for fleet replenishment, and d) Relocatable piers for homeporting and for Strategic Sealift Support Facilities restoration in the event of damage. Homeported and pre-positioned platforms could also provide some peacetime cost offsetting advantages over present support systems.

An investigation was conducted into the use and availability of heavy lift semi-submersible ships for transporting deployable waterfronts.

Unclassified

SECURITY CLASSIFICATION OF THIS PAGE (When Data Entered)

TABLE OF CONTENTS

SECTION 1

1.0 INTRODUCTION 1-1
 1.1 SCOPE. 1-1
 1.2 SUMMARY. 1-2
 1.3 CONCLUSIONS. 1-2
 1.4 RECOMMENDATIONS. 1-2

SECTION 2

2.0 DISCUSSION 2-1
 2.1 DEPLOYMENT 2-4
 2.1.1 PREPARATIONS. 2-5
 2.1.2 LOADING CARGO 2-6
 2.1.3 SEAFASTENINGS 2-6
 2.2 TRANSIT. 2-6
 2.3 OFFLOAD. 2-6
 2.3.1 PREPARATIONS. 2-7
 2.3.2 OFFLOADING CARGO. 2-7
 2.3.3 SHIP TURNAROUND 2-7
 2.3.4 ACTUAL OPERATIONS 2-7
 2.4 HEAVY LIFT SHIP CHARACTERISTICS 2-8
 2.5 RESULTS 2-10
 2.6 BIBLIOGRAPHY 2-18

APPENDIX A AMERICAN CORMORANT LOAD-OUT A-1



Accession For	
NTIS CRA&I	<input checked="" type="checkbox"/>
DTIC TAB	<input type="checkbox"/>
Unannounced	<input type="checkbox"/>
Justification	
By	
Distribution/	
Availability Codes	
Dist	Avail and/or Special
A-1	

LIST OF FIGURES

2-1	The British Flexiport in transit to the Falklands.2-2
2-2	Flexiport installed in the Falklands in 19852-3
2-3	The DYVI SWAN loaded with 3 Flexiport modules.2-11
2-4	AMERICAN CORMORANT2-12
2-5	DOCK EXPRESS CLASS SHIPS2-13
2-6	DYVI CLASS SHIPS2-14
2-7	SIBIG VENTURE.2-15
2-8	SUPER SERVANT CLASS SHIPS2-16
2-9	MIGHTY SERVANT CLASS SHIPS2-17
A-1	Ship positioning in four point moor with the two bow anchors.A-2
A-2	Ship stern anchors ready to deployA-2
A-3	Ship ballasting down, note the chocks and guide posts welded to the deckA-3
A-4	Ship fully ballasted ready for cargoA-3
A-5	Two YD 100 ton barge cranes rafted together, maneuvered into position.A-4
A-6	Barge cranes positioned over ship.A-4
A-7	Two 100' Army tug boats, rafted together, being maneuvered into positionA-5
A-8	The Army tug boats positioned over blocks on ship.A-5
A-9	Three LCM-8 being positioned by two tugs over shipA-6
A-10	Small craft used to assist in the positioning of LASH bargesA-6
A-11	AMERICAN CORMORANT underway with total load.A-7

LIST OF TABLES

2-1	CHARACTERISTICS OF HEAVY LIFT SEMISUBMERSIBLE SHIPS.2-9
-----	--	------

SECTION 1

1.0 Introduction

The Navy is engaged in a program to define and demonstrate Deployable Waterfronts that will provide world wide logistics support for our forces in CONUS and overseas. The Memorandum of Agreement on U.S. Navy and U.S. Army Joint Strategic Mobility Program Development and Coordination, signed by VADM T. J. Hughes, DCNO Logistics, OP 04 and LTG B. F. Register Jr., DCS Logistics, DALO-ZA, on 8 Dec 86, outlines a balanced program and capability to ensure the necessary resources of ships, cargo offload systems and theater logistics systems to provide the required flow of materiel in support of forces worldwide. The Navy has specific tasking to determine if a requirement exists for a family of deployable waterfront facilities. These facilities would serve such functions as: a) Strategic Sealift Ship unloading at fixed ports or Logistics Over The Shore (LOTS) sites, b) Advanced base pre-positioning, c) Advanced Logistics Support Bases for fleet replenishment, and d) Relocatable piers for homeporting and for Strategic Sealift Support Facilities restoration in the event of damage. Homeported and pre-positioned platforms could also provide some peacetime cost offsetting advantages over present support systems.

1.1 Scope of Work

An investigation was conducted into the use and availability of heavy lift semi-submersible ships for transporting deployable waterfronts. The results of this investigation is in the form of technical data suitable for use in preparing program documents.

1.2 Summary

The deployment waterfront concept is a family of large modules that can be configured to accomplish a variety of missions. These modules can be outfitted with special mooring, fendering and cargo handling equipment which allow use in unsheltered offshore locations. When equipped with storage modules the deployable waterfront can function as an Advanced Logistics Support Base supporting the deployed fleets. The basic pier facility could be used for advanced base pre-positioning of stores and equipment. Other utilities and repair outfitting packages would provide a standard homeport pier facility. The focus of this study is on the transportability of these pier units on heavy lift semi-submersible ships. The number and characteristics of ships available world-wide are tabulated with size and weight limits noted. The major conclusions are that the pier modules can be constructed to fit on the cargo deck of 105 feet or wider ships and in multiples to fit on cargo decks up to 426 feet long. The weight of multiple units can be up to 14668 short tons. This envelope would fit on any of the available ships.

1.3 Conclusions

With the oil exploration impetus, a significant capability to safely transport large structures long distances across oceans has been provided.

1.4 Recommendations

The design of deployable waterfronts should include the requirement to be compatible with the available transport ships. Provisions need to be made to acquire the services of these ships in time of need. Further, through out the design, development of

the deployable waterfront basic modules including the add-on features there will be a need to test, demonstrate, validate and revalidate the concept through out its life by conducting full scale exercises utilizing the heavy lift semisubmersible ships. Further work is needed to determine the limiting environmental conditions of current, wind and wave conditions that loading and offloading of these heavy lift ships with military cargo can be accomplished. Universal seafastenings need to be developed to speed up the loading process. Methods and equipment required to protect the cargo from waves breaking over the deck while underway need to be developed.

SECTION 2

2.0 Discussion

The deployable waterfront consists of a family of large modules that can be configured to accomplish a variety of missions. These basic modules when outfitted with special mooring, fendering and cargo handling equipment can be used in sheltered or unsheltered offshore locations. When storage modules are added the deployable waterfront can function as an Advanced Logistic Support Base supporting the deployed fleets. The basic pier facility could be used for advanced base pre-positioning of stores and equipment. Utilities and repair outfitting packages would provide a standard homeport pier facility. These facilities could also serve as the Strategic Sealift Support Facilities port restoration in the event of damage. Homeported and pre-positioned platforms could also provide some peacetime cost offsetting advantages over present support systems.

The use and availability of heavy lift semi-submersible ships for transporting deployable waterfronts was demonstrated by the British operations in the Falklands. Figure 2-1 shows the load out in transit and figure 2-2 shows the installation in place. The British deployed this floating pier facility from England to the Falklands in March 1984 to support the after action operations. Six offshore oil field ballastable support barges (328 feet x 98.4 feet x 30 feet deep) were outfitted in England and transported the 8000 miles in three trips using the DYVI semisubmersible heavy lift ships. The first load was made up of the support crane barge, 2 quayside barges, and the six mooring dolphins. The second load contained the causeway sections, the roll-on roll-off pontoon and one storage barge.



Figure 2-1 The British Flexiport in transit to the Falklands.

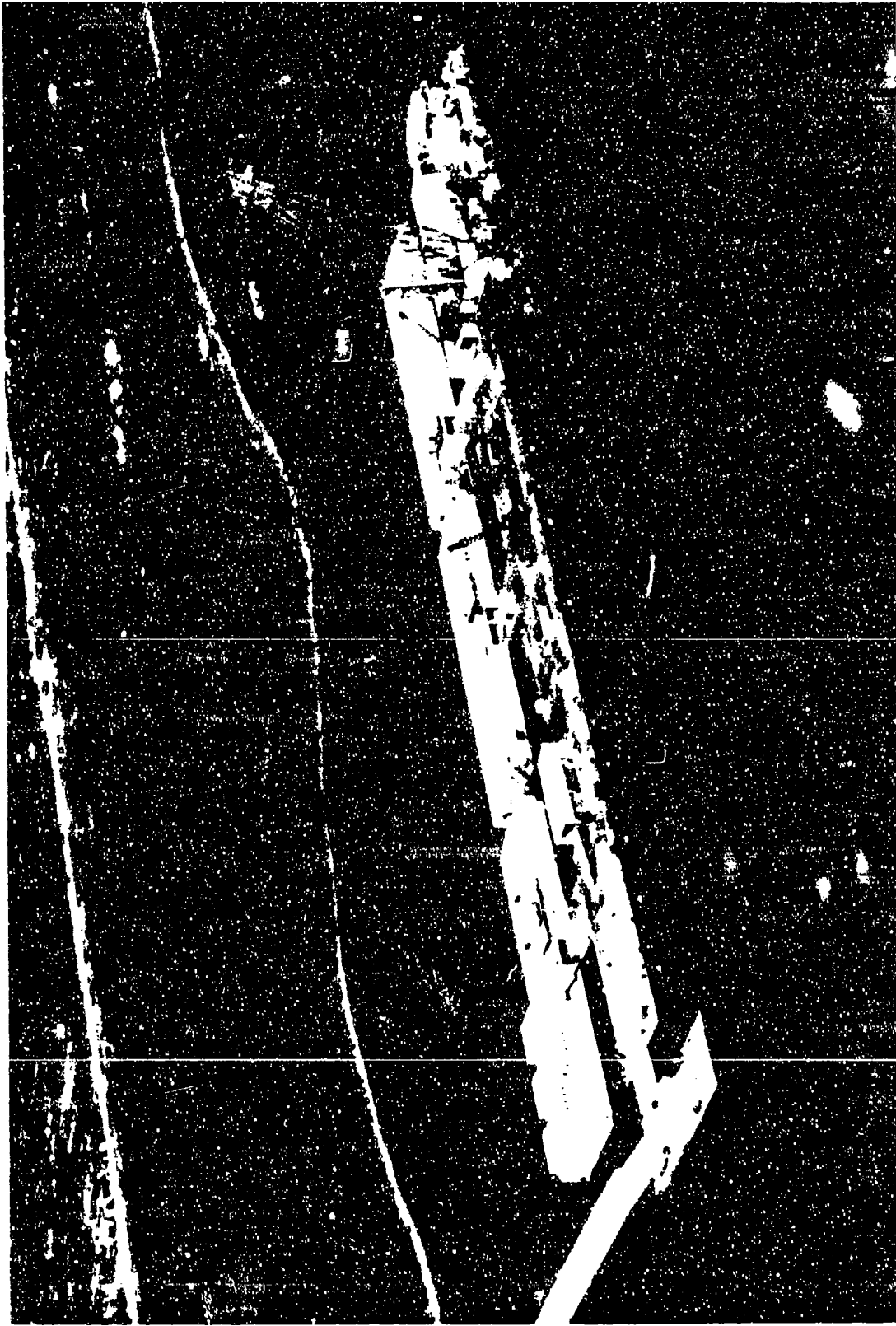


Figure 2-2 Flexiport installed in the Falklands in 1985.

The third load was made up of 2 storage barges and one quayside barge. This facility provided 900 feet of ship berthing, 18,000 square feet of quayside work area, 1,270,000 cubic feet of covered storage and a roll-on roll-off facility. The link to shore was provided by 600 feet of ballasted causeway. The 2-way causeway was fabricated in 5 sections and designed to carry loads up to 30 tons over a single axle. The onsite installation took about 75 days. Office, accommodation and support facilities were built as second stories over the storage areas. The total cost of this facility was \$32M.

2.1 Deployment

The planning for deployment will take into account the ships available to make the transit. Since it is not known what vessels will be available, and with the limited assets available, the deployable waterfront planning and module design should be based on the capability of the smaller heavy lift ships. The module design specifications should contain loading criteria based on loads expected during transit. This, along with the cargo deck dimensions, will guide the design envelope (overhangs) into compatibility with the transit ships. Early trade-offs will be required to cost out the transit methods of tow vs carry. The benefits of carrying the modules vice towing are that the modules do not have to be designed to withstand the same loads as a ship. Experience has shown the dynamics of carry, i.e. dry tow, put less dynamic loads on the module structure (including the internal machinery and outfittings) than would be experienced when under tow. The result would be modules weighing and costing less. The safety of open ocean transport has been dramatically demonstrated with the successful movement of the large jack-up oil rigs. Two rigs being transported 13100 nautical miles on the DYVI SWAN, had an overhang of 114' encountered a gale force cyclone off Madagascar. Waves reached 27' causing the ship to slow from an average 15 knots to 12 knots and the maximum roll

was less than 3.5 degrees. Many similar trips have been experienced transporting other oil rigs and large structures. As a measure of how well the transport industry has progressed, the insurance premiums for wet tows was around 10% of the value of the cargo. With the faster and safer dry tow the premiums were reduced to 2-3%. Rates for self-propelled vessels are now around 0.2%. This dramatic difference points out the value of the self-propelled vessels carrying the cargo. The value can be traced all the way back to the cost savings in the design of the equipment, foundations and basic structure of the cargo.

2.1.1 Preparations

The cargo load must be laid out to provide the most efficient use of space available considering the stability, dynamic motions, overhang, slamming, freeboard, list and trim of the vessel. Also the destination, time of year and expected weather conditions is included in the load planning. Seafastenings are designed, fabricated and installed according to the planned load out. The design of the fastenings is critical since the load is considered integral with the ship for the overall stability calculations. Guide fenders are positioned and welded on the deck to hold the cargo in place as the ship is ballasted. The items making up the load are rafted together for ease of handling and the loading is sequenced according to the cargo draft. i.e. the deep draft cargo is loaded prior to the shallow draft cargo. An area with sufficient water depth to allow for the max submergence draft plus desired clearance is located near where the cargo is located. Float-on or off takes about 6-12 hours depending on the load configuration. The loading area should have relatively calm water and wind conditions and the weather forecast over the expected loading time should be desirable.

2.1.2 Loading Cargo

The transit ship is moored, in a 4 point moor, in the desired location and ballasted down. The cargo load is rafted according to draft, positioned with tug boats, secured to the fender guides for the sequenced loading. As the ship is deballasted the loads settle into the desired positions. See Appendix A for sample loading sequence of AMERICAN CORMORANT.

2.1.3 Seafastenings

The seafastenings are positioned and the cargo welded for the sea transit.

2.2 Transit

Transit time for the ships vary from 13 to 16 kts with ranges up to 30,000 miles. Some varying of the ship's heading will be made as necessary to minimize the dynamic loads on the cargo. Also, slamming loads on the cargo overhangs is a condition to avoid and is typically experienced in beam seas. Change in heading to quartering sea will reduce or eliminate the frequency and intensity of the wave slamming. Bulwarks have been constructed on some of the ships to reduce the impact of the wave slap on the cargo.

The AMERICAN CORMORANT had deck extensions added, about 20 feet wide by 60 feet long both port and starboard about midships, to protect the cargo items that overhung the deck from wave slap.

2.3 Offload Cargo

The transit ship is moored in the selected location and ballasted down. As the cargo load is floated according to draft, the cargo is rafted with tug boats, secured to the fender guides

for the sequenced unloading.

2.3.1 Preparations

A location with adequate water depth and shelter from the wind and waves needs to have been selected as close as possible to the objective area. The mode of transit from the unloading area to the location of final use must be planned early on and specific tugs either provided on location or carried with the cargo.

2.3.2 Offloading Cargo

The sequence of offloading will be the reverse of the loading where the shallow draft cargo will be floated-off first. A sufficient number of tow vessels need to be on hand to move the cargo to the desired locations. Some temporary nearby anchoring capability for the cargo may be required during the float-off. The transit ship could also carry tug boats to handle the offload and assembly.

2.3.3 Ship Turnaround

Since there are a small number of these heavy-lift float-on float-off ships, ship turnaround is very important. This makes it very important to have a detailed plan and the resources available to carry it to a successful conclusion.

2.3.4 Actual Operations

An example, reported in Ocean Industry Magazine in May 1982, of a commercial load/transit/offload operation of two large oil jack-up rigs contains a break down of time for each operation:

Preparation. The time required for preparation of cribbing and installation on the ship was not given.

Load. The loading of the two oil rigs was done in one day. Starting at 0800, they were in position over the ship at 1210, and dry at 1700. Four more days were required to weld the seafastenings and one more day for fueling before getting underway.

Transit. The ship was in transit 36 days from Singapore to Cameron LA.

Offload. Discharging the two oil rigs was accomplished in one day. Total elapsed time was 42 days.

For comparison, the same trip would have taken about 95 days if the oil rigs were loaded on barges and towed. There was no mention of environmental conditions encountered during load/offload.

Another example of the load/offload operation is included in Appendix A, with the Army cargo on the AMERICAN CORMORANT.

2.4 Heavy Lift Semisubmersible Ships

Table 2-1 contains the principle characteristics of the heavy lift semisubmersible, self propelled, ships in the free world . There are 18 ships identified as potentially usable for the transport of deployable waterfront modules. Different sources were used to construct this table, some with conflicting information. Where possible, owner/operator provided information was considered to be the most authoritative and used in the table. From the table a range of dimensions can be defined. For all but the Dock Express Class ships the overhang is only limited by the

TABLE 2-1 CHARACTERISTICS OF HEAVY LIFT SEMI-SUBMERSIBLE SHIPS

OWNER/ OPERATOR	SHIP NAME	FLAG	SER- VICE DATE	LOA FEET	BEAM FEET	DEPTH FEET	LOAD LIONS	SPEED CRUISE/MAX KNOTS	RANGE MILES	DRAFT TRANSIT/SUBM FEET	DECK SLEM FEET	CRCG LENGTH/WIDTH FEET	LOAD LIONS/FT ²	BAL- LAST HOURS	CRANES/ CAPACITY NO/LIONS
American Automar	AMERCON 1/ CORPANT	United States	1982	739	135	39	47000	13 / 16	29000	34/65	26	394 / 135	2.0	6	none
Dock Express	2/ DOCK EXPRESS 10	Dutch	1977	505	89	49	12795	16 /	26500	29/39	16	380 / 66			2/500
Dock Express	DOCK EXPRESS 11	Dutch	1977	505	89	49	12795	16 /	26500	29/39	16	380 / 66			2/500
Dock Express	DOCK EXPRESS 12	Dutch	1977	505	89	49	12795	16 /	26500	29/39	16	380 / 66			2/500
Dock Express	DOCK EXPRESS 20	Dutch	1982	556	90	49	14074	15 /	26500	29/39	16	418 / 66			2/600
Davi	DAVI SWAN	Norway	1981	593	106	44	24500	13 / 16	16000	32/68	24	416 / 106	1.8	6	none
Davi	DAVI SKUFF	Norway	1983	593	106	44	24500	13 / 16	16000	32/68	24	416 / 106	1.8	6	none
Davi	DAVI TEAL	Norway	1984	593	106	44	24500	13 / 16	16000	32/68	24	416 / 106	1.8	6	none
Davi	DAVI TERN	Norway	1982	593	106	44	24500	13 / 16	16000	32/68	24	416 / 106	1.8	6	none
ITC	SIBIG VENTURE	Norway	1982	728	138	41	43120	14 / 15	30000	31/64	23	423 / 138	1.3	6	3/3
Wjmsmiller	SUPER SERVANT 1	Dutch	1979	456	105	28	14221	13 / 15	13730	21/48	19	335 / 105	1.3	6	none
Wjmsmiller	SUPER SERVANT 3	Dutch	1981	456	105	28	13889	13 / 15	13730	21/48	19	335 / 105	1.3	6	none
Wjmsmiller	SUPER SERVANT 4	Dutch	1981	456	105	28	13889	13 / 15	13730	21/48	19	335 / 105	1.3	6	none
Wjmsmiller	SUPER SERVANT 5	Dutch	1982	456	105	28	13109	13 / 15	12480	20/48	19	335 / 105	1.3	6	none
Wjmsmiller	SUPER SERVANT 6	Dutch	1982	456	105	28	13109	13 / 15	12480	20/48	19	335 / 105	1.3	6	none
Wjmsmiller	3/ MIGHTY SERVANT 1	Dutch	1979	525	132	39	21160	13 / 15	14784	31/65	26	361 / 105	1.3	6	none
Wjmsmiller	MIGHTY SERVANT 2	Dutch	1979	553	132	39	22834	13 / 15	14784	31/65	26	394 / 105	1.3	6	none
Wjmsmiller	MIGHTY SERVANT 3	Dutch	1979	591	132	39	24304	13 / 15	14784	31/65	26	426 / 105	1.3	6	none

NOTES: 1. Max beam is 175' in way of port and starboard cantilever sections 60' long about midships, the beam; hull has 135' beam.
 2. Main deck similar to Navy LSD. Overhead clearance is 26 feet under removable porton deck. Deck is removed to give unobstructed well deck.
 3. MIGHTY SERVANT 1 has cargo hold 263'x53'x25' and unobstructed cargo deck of 394' with aft buoyancy cross stowed recessed into fwd housing.
 MIGHTY SERVANT 2 has cargo hold 291'x53'x25' and unobstructed cargo deck of 426' with aft buoyancy cross stowed recessed into fwd housing.
 MIGHTY SERVANT 3 has cargo hold 328'x53'x25' and unobstructed cargo deck of 459' with aft buoyancy cross stowed recessed into fwd housing.

ship stability and structural strength of the cargo being carried. As a practical matter the overhang may be limited by dynamic stability and slamming. For example, the DYVI ships, with a max beam of 106 feet transported the Flexiport modules 8000 miles with an overhang of about 108 feet as shown in Figure 2-3. There are many examples of these ships carrying outsized cargo such as drill rigs, assembled refineries and drydocks.

Figures 2-4 through 2-9 show the plan and profile outlines of each class of ship drawn to the same scale of 1"= 100 feet. Salient characteristics of length overall, extreme beam, cargo loading and deck dimensions, draft while loading and depth of water over the cargo deck are included on each figure for ready reference.

2.5 Results

The Deployable Water Front module width could be limited by the 66 foot well deck of the Dock Express Class and with a module length of about 300 feet which would be compatible with all the heavy lift semisubmersible ships.

The limiting environmental conditions of current, wind and wave conditions that loading and offloading military cargo can be accomplished need to be determined. Some universal methods of padeyes, lashings and seafastenings need to be developed to speed up the labor intensive completion of the loading process. Operational methods and equipment need to be developed to protect the cargo from the waves breaking over the deck when in transit.

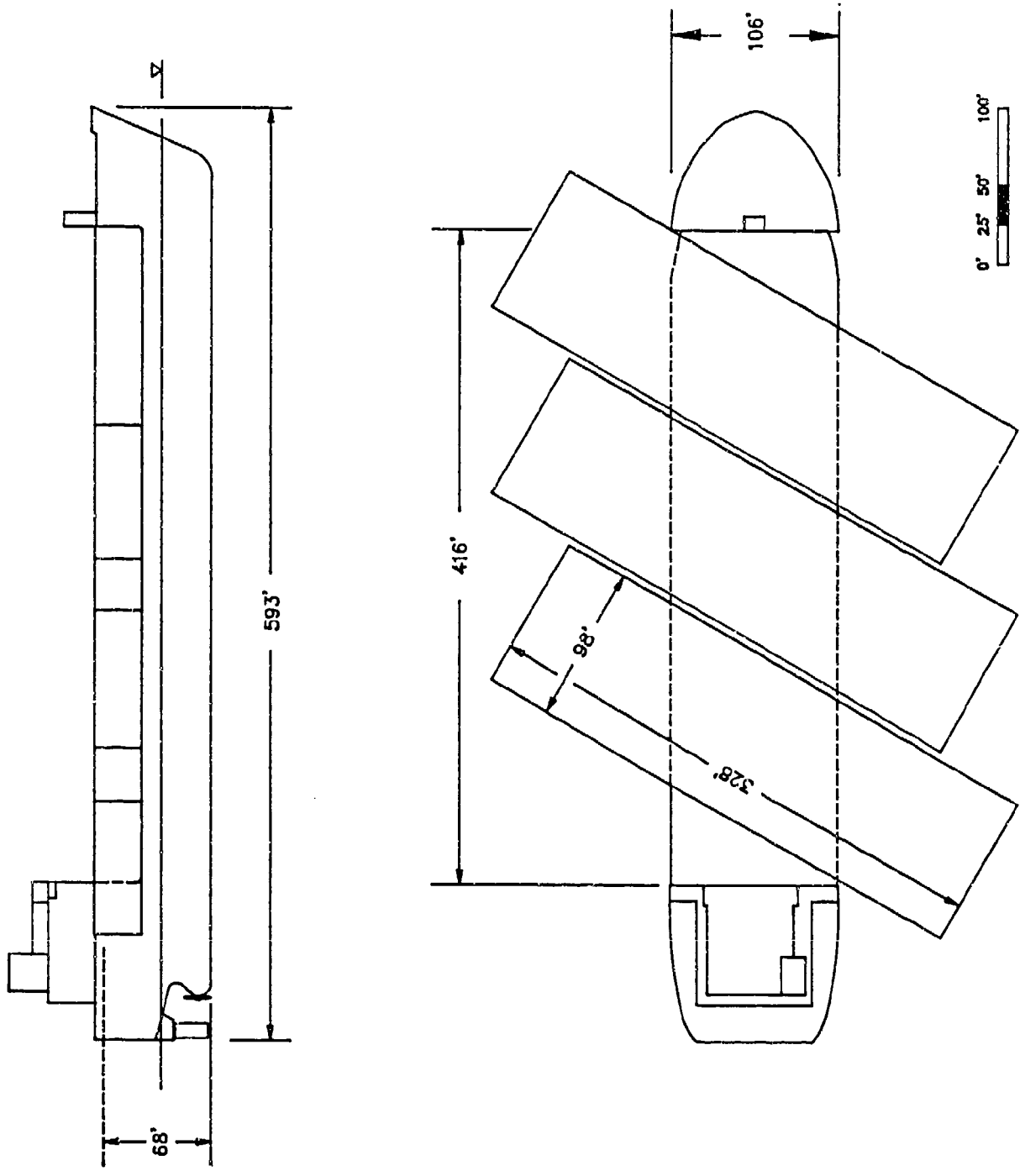


Figure 2-3. DYM SWAN loaded with three Flexiport modules.

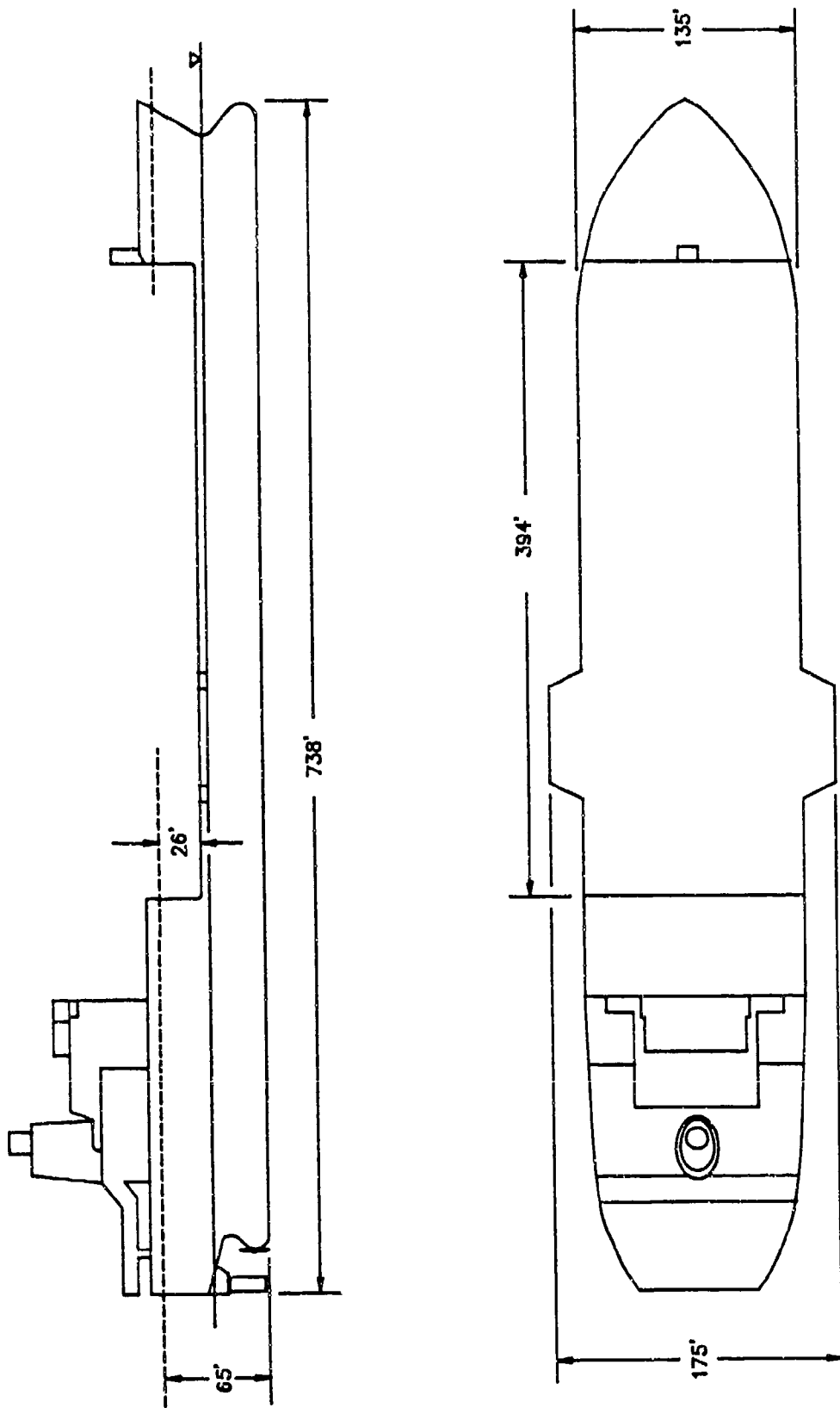


Figure 2-4. The AMERICAN COMORANT.
 Cargo DWT: 47,000 Lton

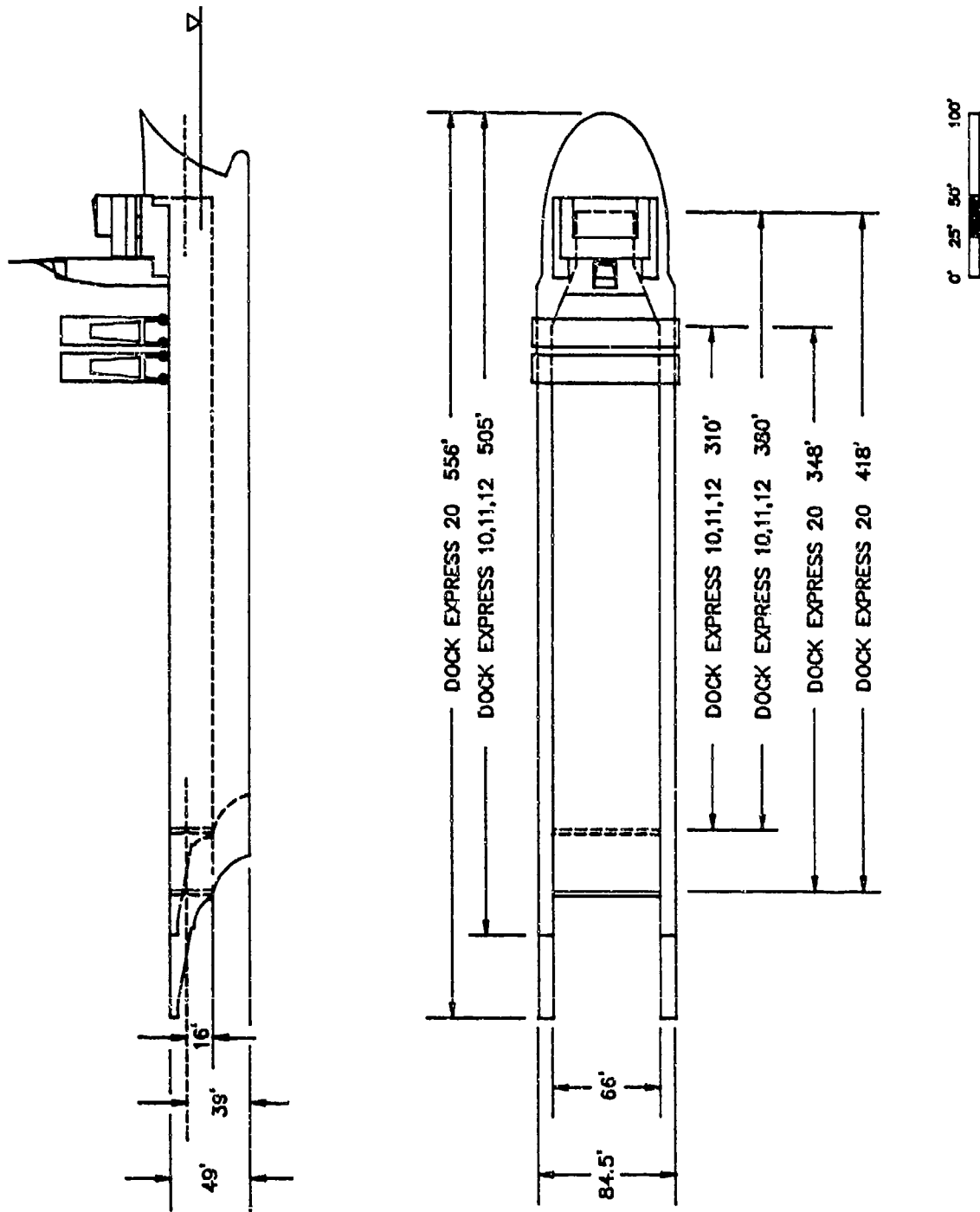


Figure 2-5. The DOCK EXPRESS Class.
 Cargo DWT: DOCK EXPRESS 10,11,12 12,795 Lton
 DOCK EXPRESS 20 14,074 Lton

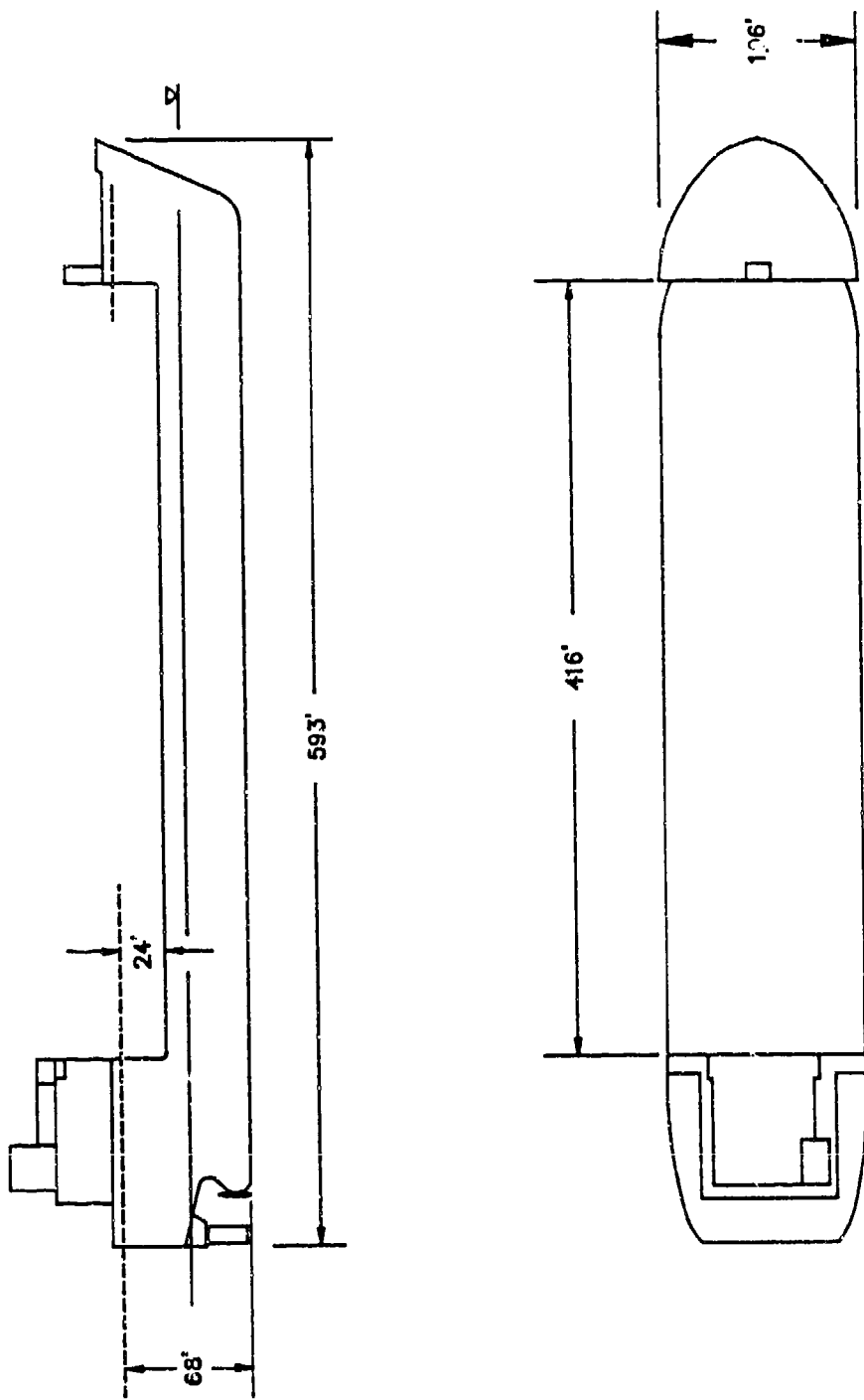


Figure 2--6. The DYM Class.
 Corp DWT: 24,500 Lton

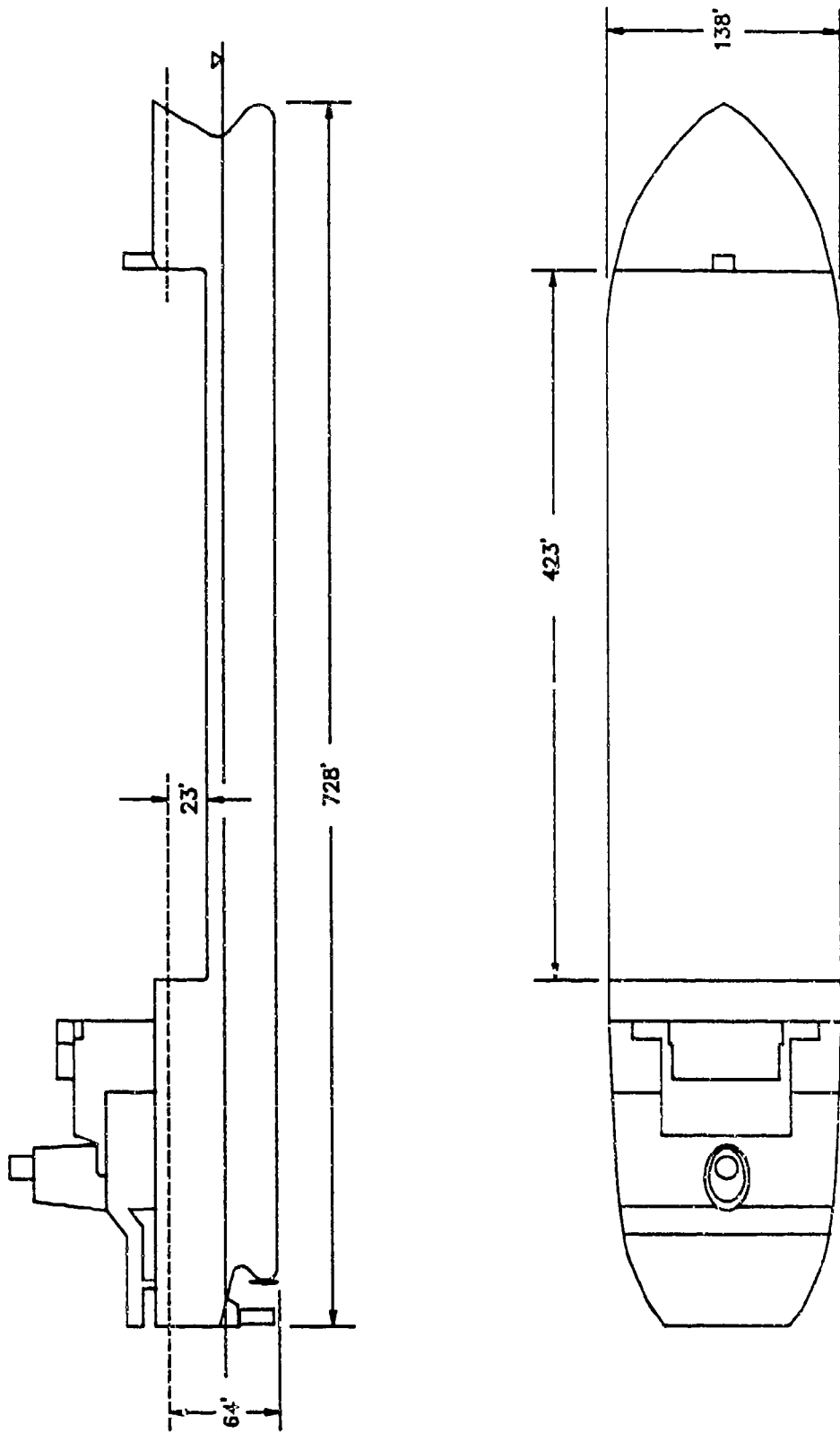


Figure 2-7. The SIBIG VENTURE.
 Cargo DWT: 43,120 Lton

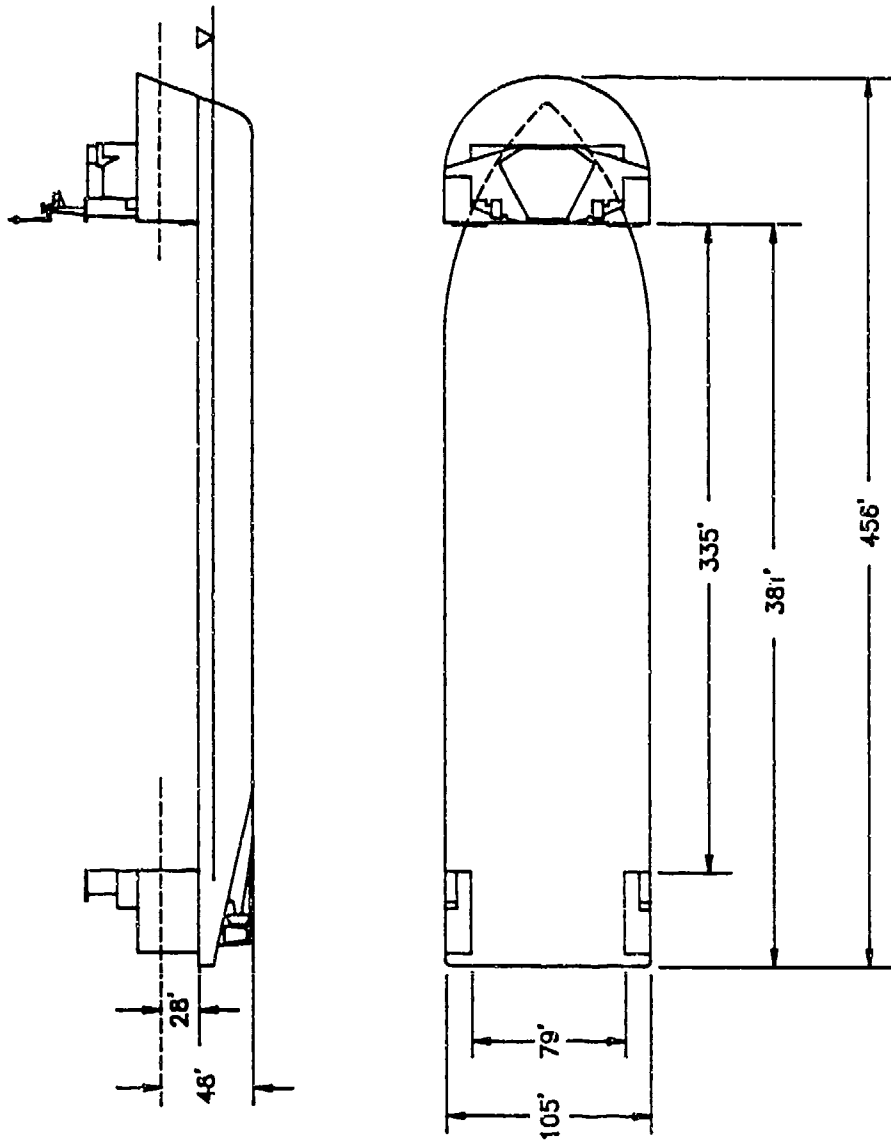


Figure 2--8. The SUPER SERVANT Class.
 Cargo DWT: SUPER SERVANT 1 14,221 Lton
 SUPER SERVANT 3.4 13,889 Lton
 SUPER SERVANT 5.6 13,109 Lton

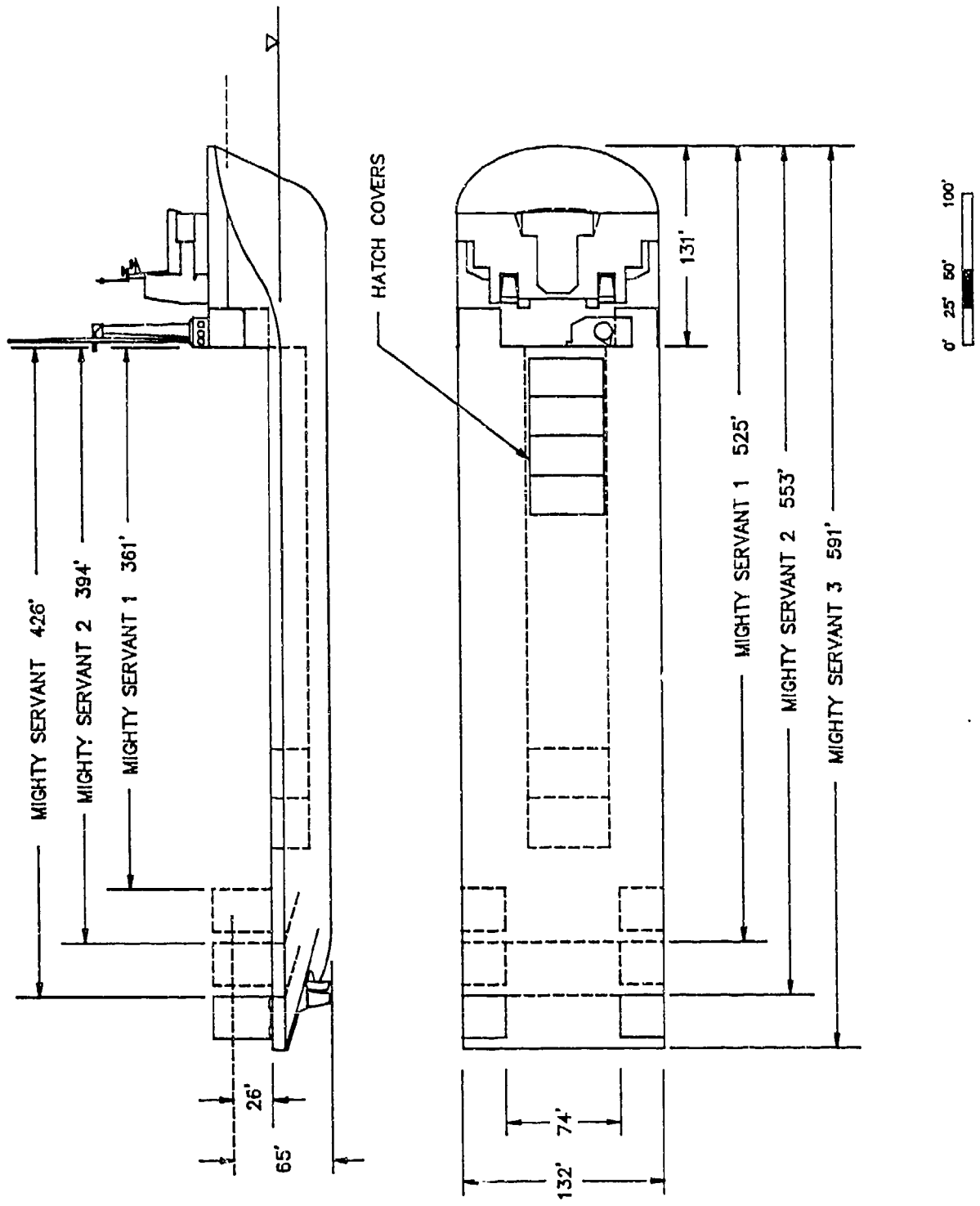


Figure 2-9. The MIGHTY SERVANT Class.
 Cargo DWT: MIGHTY SERVANT 1 21,160 Lton
 MIGHTY SERVANT 2 22,834 Lton
 MIGHTY SERVANT 3 24,304 Lton

2.6 Bibliography

Carrier and Gibson., "The Navy's Semi-Submersible Ultra-Heavylift Ship." Naval Institute proceedings, January 1987, pp.109-111.

van Hoom, Frank., "Technical Challenges Associated with Dry Transportation." Marine Technology, January 1987, pp.4-14.

"Innovative mobilization of two jack-ups." Ocean Industry Magazine, Houston, Texas 77001, May 1982.

"Three rigs en route to Gulf of Mexico on the DYVI TERN." Ocean Industry Magazine, Houston, Texas 77001, April 1984.

ITM (Offshore) Inc., ITM "FLEXIPOINT" THE FLEXIBLE SOLUTION, (Offshore) Inc., Washington D.C., undated briefing document.

American Automar, Inc., M.V. American Cormorant Heavy Equipment Lift Pre-Positioning Ship, American automar, Inc., Washington D.C., January 1986.

Dock Express Contractors, Inc., Ship information Sheet, Dock Express Contractors, Inc., Houston, Texas 77056, undated document.

Wijsmuller (USA) Inc., Wijsmuller Transport B.V. Brochure and Bulletin, Wijsmuller (USA) Inc., Houston, Texas 77079, undated document.

Dyvi (USA) Inc., DYVI SWAN-CLASS MAIN PARTICULARS, Dyvi (USA) Inc., Houston, Texas 77042, undated document.

Appendix A

The following photos show the AMERICAN CORMORANT float-on loading sequence of Army cargo 25-27 November 1985 in Charleston, S.C. This represents a typical loading operation which shows the complexity and support assets required.

Preparation time required to design, fabricate and install the foundations, tie-downs and guide posts was not available.

The 22 pieces of Army cargo was loaded in about 16 hours, 6 hours to moor and ballast-down the ship and four hours to load the cargo, and 6 hours to ballast-up the ship. Four tugs were used to handle the two nested tug boats, three nested LCM 8 craft and the two nested floating cranes. Other small craft were used to handle lines, etc. Three more days were required to attach the padeyes, lashings and seafastenings. The use of the four point moor was a unique requirement for this particular location, since then, this load has been discharged and reloaded with the ship swinging on its anchor. Also, on these subsequent loadings of the same equipment the tiedown time has been reduced to 8 hours of mechanical attachments.

The offload required 6 hours to ballast-down the ship with the cargo being removed within an hour.

The environmental conditions during the initial loading were minimal wind and wave action but with a 5 knot tidal current hence the requirement for the four point moor. The actual loading took place during slack water on each side of the tide.



Figure A-1 Ship positioning in four point moor with the two bow anchors.



Figure A-2 Ship stern anchors ready to deploy.

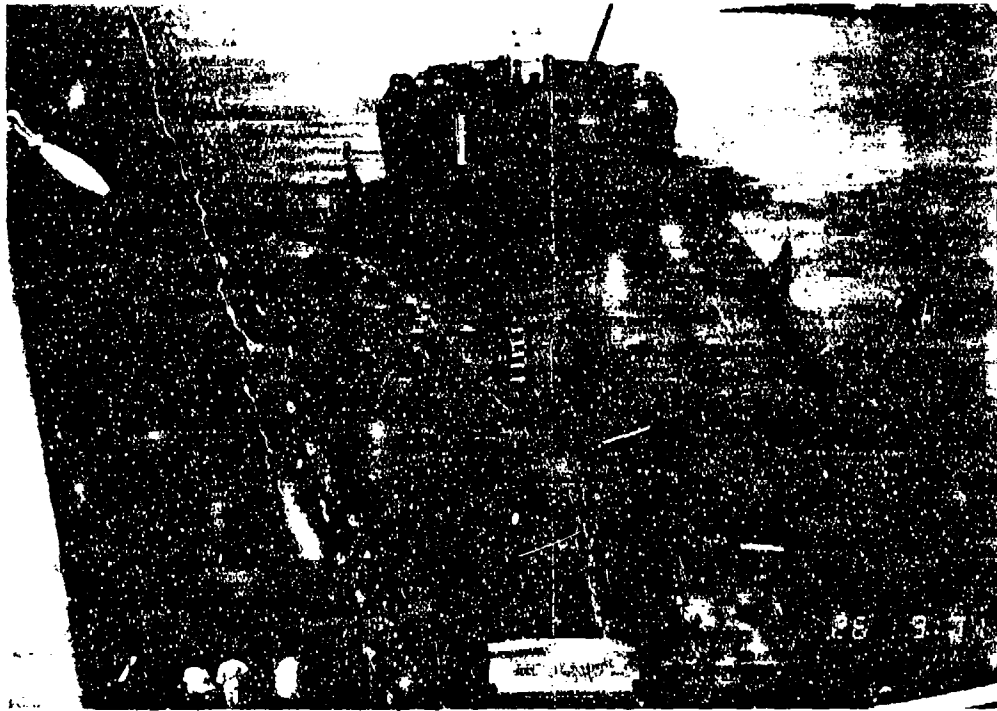


Figure A-3 Ship ballasting down, note the chocks and guide posts welded to the deck.



Figure A-4 Ship fully ballasted ready for cargo.

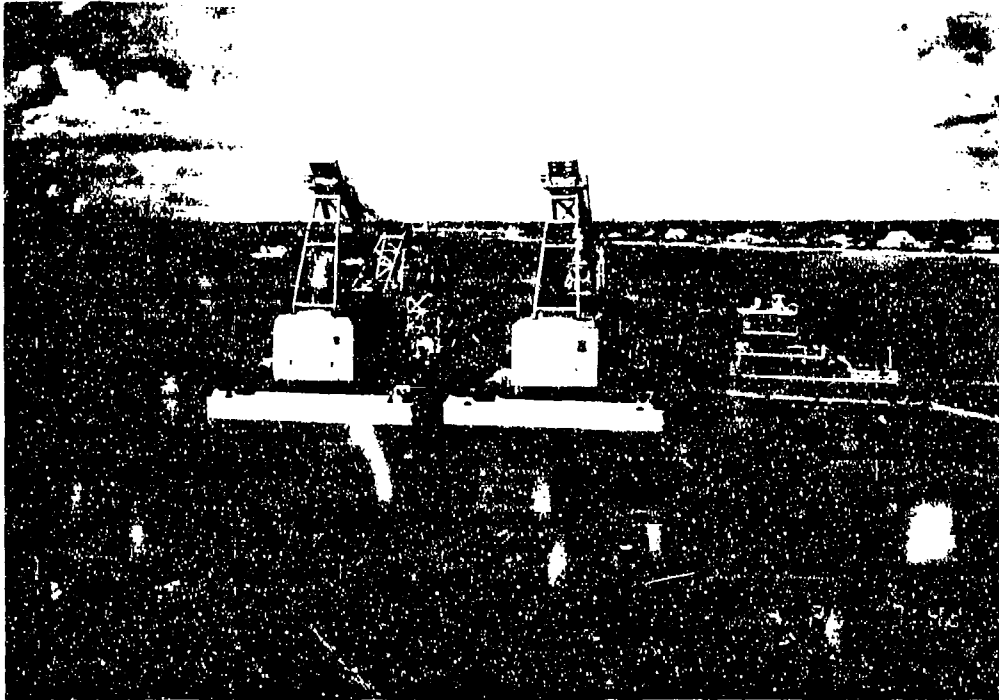


Figure A-5 Two YD 100 ton barge cranes rafted together, maneuvered into position.



Figure A-6 Barge cranes positioned over ship.



Figure A-7 Two 100' Army tug boats, rafted together, being maneuvered into position.

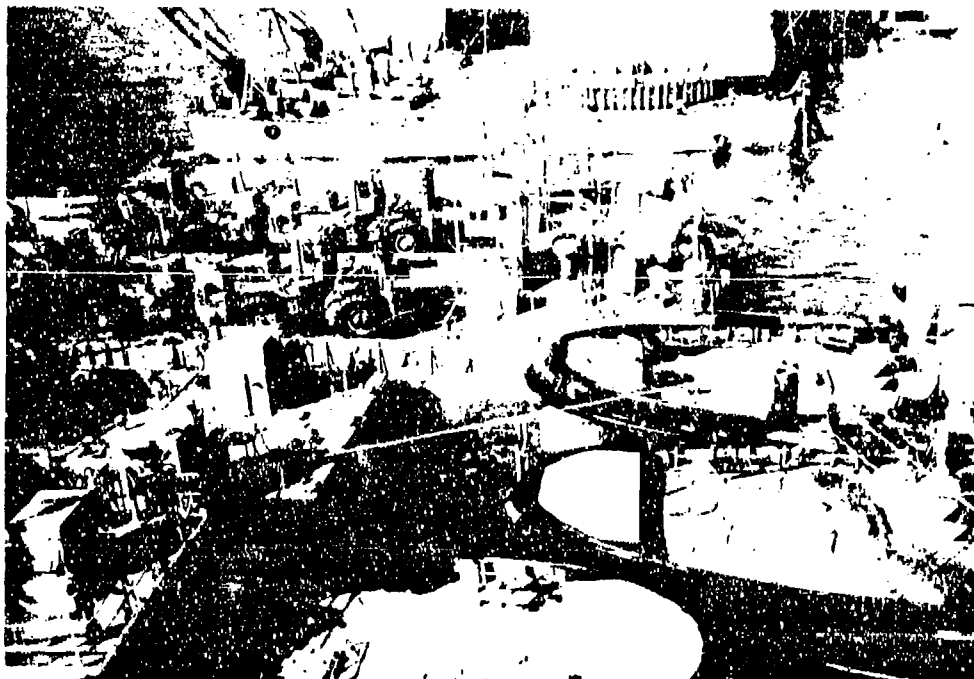


Figure A-8 The Army tug boats positioned over blocks on ship.



Figure A-9 Three LCM-8 being positioned by two tugs over ship.

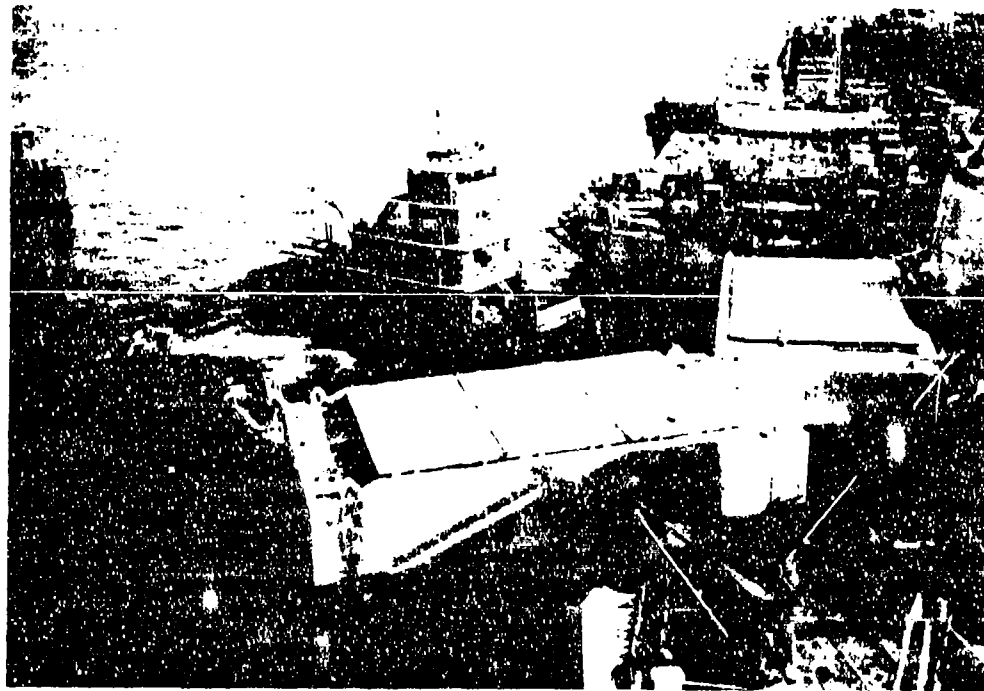


Figure A-10 Small craft used to assist in the positioning of LASH barges.

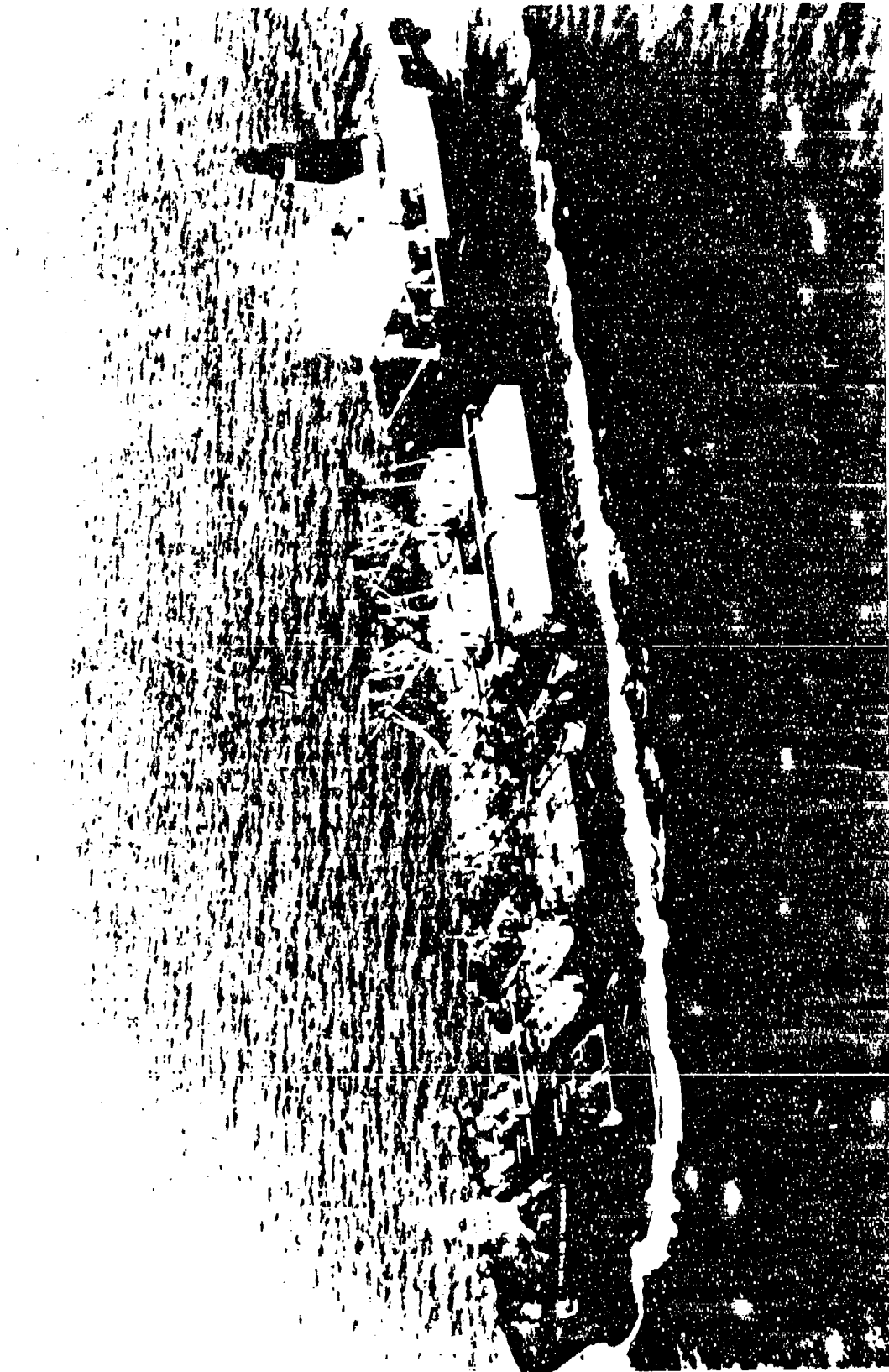


Figure A-11 AMERICAN COMORANT underway with total load.

DISTRIBUTION LIST

AF HQ LETT (Cargo), Washington, DC
AFB AUL/LE 63-465, Maxwell AFB, AL
AFESC RDC (Hayes), Tyndall AFB, FL; TST (Library), Tyndall AFB, FL
NATL ACADEMY OF ENGRG Alexandria, VA
ARMY 416th ENCOM, Akron Survey Tm, Akron, OH; AMCSM-WS, Alexandria, VA; Diving Det, Ft Eustis, VA; HQDA (DAEN-ZCM), Washington, DC; POJED-O, Okinawa, Japan; R&D Cmd, STRNC-US (J Siegel), Natick, MA SDC, DASD-H-TF (H McClellan), Huntsville, AL
ARMY ARADCOM STINFO Div, Dover, NJ
ARMY BELVOIR R&D CEN STRBE-AALO, Ft Belvoir, VA; STRBE-BLORE, Ft Belvoir, VA; STRBE-FS, Ft Belvoir, VA
ARMY CERL CERL-ESD (D Chu), Champaign, IL; CERL-ZN, Champaign, IL
ARMY CORPS OF ENGRS CENPS-ED-SD, Seattle, WA; Library, Seattle, WA
ARMY CRREL A. Iskandar, Hanover, NH
ARMY EHA HSHB-EW, Aberdeen Proving Grnd, MD
ARMY ENGR DIST LMVCO-A/Bentley, Vicksburg, MS; Library, Portland, OR; Phila. Lib, Philadelphia, PA
ARMY ENGR DIV ED-SY (Loyd), Huntsville, AL; HNDED-SY, Huntsville, AL
ARMY EWES Library, Vicksburg MS; WESCD (TW Richardson), Vicksburg, MS; WESCV-Z (Whalin), Vicksburg, MS; WESCW-D, Vicksburg, MS; WESGP-E, Vicksburg, MS; WESGP-EM (CJ Smith), Vicksburg, MS
ARMY LOGC ALC/ATCI-MS (Morrissett), Fort Lee, VA
ARMY MMRC DRXMR-SM (Lenoc), Watertown, MA
ARMY MSA DRXSY-CM (M Ogorzalek), Aberdeen Proving Grnd, MD
ARMY MTMC MTT-CE, Newport News, VA
ADMINSUPU PWO, Bahrain
CBC Code 10, Davisville, RI; Code 15, Port Hueneme, CA; Code 155, Port Hueneme, CA; Code 156F, Port Hueneme, CA; Code 1571, Port Hueneme, CA; Library, Davisville, RI; PWO (Code 80), Port Hueneme, CA; PWO, Davisville, RI
CBU 401, OIC, Great Lakes, IL; 411, OIC, Norfolk, VA
CINCLANTFLT CE Supp Plans Offr, Norfolk, VA
CINCPACFLT Code 41, Pearl Harbor, HI
CINCUSNAVEUR London, England
CNO Code OP 323, Washington, DC; Code OP 323, Washington, DC; Code OP 414, Washington, DC; Code OP 424, Washington, DC; Code OP 441F, Washington, DC; Code OP 914K4, Washington, DC; Code OP 97, Washington, DC; Code OP 987, Washington, DC; Code OP97, Washington, DC
COMCBLANT Code S3T, Norfolk, VA
COMCBPAC Diego Garcia Proj Offr, Pearl Harbor, HI
COMDT COGARD Library, Washington, DC
COMFLEACT PWO, Sasebo, Japan
COMNAVACT PWO, London, England
COMNAVAIRSYSCOM Code 41712, Washington, DC
COMNAVBEACHGRU ONE, CO, San Diego, CA
COMNAVFOR Korea, ENJ-P&O
COMNAVLOGPAC Code 4318, Pearl Harbor, HI
COMNAVMARIANAS Code N4, Guam
COMNAVRESFOR Code 08, New Orleans, LA
COMNAVSUPFORANTARCTICA DET, PWO, Christchurch, NZ
COMNAVSURF Code N42A, Norfolk, VA; Lant, CO, Norfolk, VA; Pac, Code N-4, San Diego, CA
COMOCEANSYS Lant, Code N9, Norfolk, VA
COMSC Washington, DC
COMSURFWARDEVGRU CO, Norfolk, VA
COMTRA Lant, SCE, Norfolk, VA
COMUSNAV CENT, Sec Offr, Pearl Harbor, HI
COMOPTEVFOR CO, Norfolk, VA
DEPCOMOPTEVFORPAC Code 701A, San Diego CA; Code 705, San Diego, CA
DIRSSP Tech Lib, Washington, DC
DNA STI/TL, Washington, DC
DOD DFSC-FE, Cameron Station, Alexandria, VA
DOE Wind/Ocean Tech Div, Tobacco, MD
DTIC Alexandria, VA
DTNSRDC DET, Code 1175, Annapolis, MD; DET, Code 119, Annapolis, MD; DET, Code 1250, Annapolis, MD; DET, Code 1568, Annapolis, MD; DET, Code 4120, Annapolis, MD
DTRCEN, Code 1561, Bethesda, MD
FMFLANT CEC Offr, Norfolk, VA
FMFPAC FEO, Camp HM Smith, HI; SCIAD (G5), Camp HM Smith, HI

GIDEP OIC, Corona, CA
INTL MARITIME, INC D Walsh, San Pedro, CA
LIBRARY OF CONGRESS Sci & Tech Div, Washington, DC
MARCORBASE PWO, Camp Lejeune, NC; Pac, ACOS FE, Camp Butler, JA; Pac, FE, Camp Butler, JA
MARITIME ADMIN MAR-770 (Corkrey), Washington, DC; MMA, Library, Kings Point, NY
MCRDAC M & L Div, Quantico, VA, NSAP Rep, Quantico, VA
NAS PWC-114 (PWO), Cubi Point, RP; PWO, Keflavik, Iceland; PWO, Moffett Field, CA
NATL BUREAU OF STANDARDS Bldg Mat Div (Mathew), Gaithersburg, MD; R Chung, Gaithersburg, MD
NAVAVNDEPOT Code 61000, Pensacola, FL
NAVCAAMS PWO, Norfolk, VA
NAVCHAPGRU CO, Williamsburg, VA; Code 30, Williamsburg, VA; Code 60, Williamsburg, VA
NAVCOASTSYSSEN CO, Panama City, FL; Code 2360, Panama City, FL; Code 423, Panama City, FL; Code
630, Panama City, FL; Code 715 (J. Mittleman) Panama City, FL; Code 772 (C.B. Koesy), Panama City,
FL; Tech Library, Panama City, FL
NAVCONSTRACEN Code D2A, Port Hueneme, CA; Code T12, Gullport, MS
NAVEDTRAPRODEVNEN Tech Lib, Pensacola, FL
NAVFAC Centerville Bch, PWO, Ferndale, CA; PWO, Oak Harbor, WA
NAVFACENGCOM Code 00, Alexandria, VA; Code 03, Alexandria, VA; Code 03T (Essoglou), Alexandria,
VA; Code 04A, Alexandria, VA; Code 04A1, Alexandria, VA; Code 04A1D, Alexandria, VA; Code 04A3,
Alexandria, VA; Code 04A4E (Bloom), Alexandria, VA; Code 06, Alexandria, VA; Code 0631 (Cyphers),
Alexandria, VA; Code 09M124 (Lib), Alexandria, VA; Code 100, Alexandria, VA
NAVFACENGCOM - CHES DIV, EPO-IPL, Washington, DC
NAVFACENGCOM - LANT DIV, Br Ofc, Dir, Naples, Italy; Code 1112, Norfolk, VA; Code 405, Norfolk,
VA; Library, Norfolk, VA
NAVFACENGCOM - NORTH DIV, Code 04, Philadelphia, PA; Code 04A1, Philadelphia, PA; Code 11,
Philadelphia, PA; Code 111, Philadelphia, PA; Code 202.2, Philadelphia, PA; Code 408AF, Philadelphia,
PA
NAVFACENGCOM - PAC DIV, Code 09P, Pearl Harbor, HI; Code 101 (Kyi), Pearl Harbor, HI; Code 2011,
Pearl Harbor, HI; Code 402, Pearl Harbor, HI; Library, Pearl Harbor, HI
NAVFACENGCOM - SOUTH DIV, Code 04A3, Charleston, SC; Code 1112, Charleston, SC; Code 406,
Charleston, SC; Library, Charleston, SC
NAVFACENGCOM - WEST DIV, 09P/20, San Bruno, CA; Code 04A2.2 (Lib), San Bruno, CA; Code 04B, San
Bruno, CA; Code 101.1, San Diego, CA; Code 102, San Bruno, CA; Code 203IC, San Bruno, CA; Pac NW
Br Ofc, Code C/42, Silverdale, WA; Pac NW Br Ofc, Code C/50, Silverdale, WA
NAVFACENGCOM CONTRACTS Code 460, Portsmouth, VA; DOICC, Diego Garcia; Earle, ROICC, Colts
Neck, NJ; OICC, Guam; OICC, Rota, Spain; OICC/ROICC, Norfolk, VA; ROICC (Code 495),
Portsmouth, VA; ROICC (Code 913), Everett, WA; ROICC, Corpus Christi, TX; ROICC, Keflavik,
Iceland; ROICC, Point Mugu, CA; ROICC, Virginia Beach, VA; SW Pac, OICC, Manila, RP; Trident,
OICC, St Marys, GA
NAVHOSP CE, Newport, RI
NAVMAAG Code 10, Lualualei, HI; SCE, Subic Bay, RP
NAVMARCORESCEN LTJG Davis, Raleigh, NC
NAVOCEANO Library, Bay St Louis, MS
NAVOCEANSYSSEN Code 94, San Diego, CA; Code 9642B, San Diego, CA
NAVPGSCOL Code 68 (C.S. Wu), Monterey, CA; E. Thornton, Monterey, CA
NAVPHIBASE PWO, Norfolk, VA; SCE, San Diego, CA
NAVSCOLCECOFF Code C44A, Port Hueneme, CA
NAVSCSCOL PWO, Athens, GA
NAVSEASYSSEN Code 05M, Washington, DC; Code 05M3, Washington, DC; Code 05R12, Washington, DC;
Code 56W23 (J Coon), Washington, DC
NAVSHIPREFAC SCE, Subic Bay, RP; SCE, Yokosuka, Japan
NAVSHIPYD Carr Inlet Acoustic Range, Bremerton, WA; Code 134, Pearl Harbor, HI; Code 202.4, Long
Beach, CA; Code 202.5 (Library), Bremerton, WA; Code 308.3, Pearl Harbor, HI; Code 420, Long Beach,
CA; Code 440, Portsmouth, NH; Code 443, Bremerton, WA; Code 903, Long Beach, CA; Library,
Portsmouth, NH; Mare Island, Code 202.13, Vallejo, CA; Mare Island, Code 208.08, Vallejo, CA; Mare
Island, Code 280, Vallejo, CA; Mare Island, Code 404, Vallejo, CA; Mare Island, Code 421, Vallejo, CA;
Mare Island, Code 457, Vallejo, CA; Mare Island, PWO, Vallejo, CA; Norfolk, Code 380, Portsmouth, VA;
Norfolk, Code 420, Portsmouth, VA; Norfolk, Code 440, Portsmouth, VA; Norfolk, Code 442.2,
Portsmouth, VA; Norfolk, Code 450-HD, Portsmouth, VA; Norfolk, Code 457L, Portsmouth, VA; PWO,
Bremerton, WA
NAVSTA A. Sugihara, Pearl Harbor, HI; CO, Long Beach, CA; CO, Roosevelt Roads, PR; Code 423, FPBO
Guantanamo Bay; Code N4215, Mayport, FL; Dir, Engr Div, PWD, Guantanamo Bay, Cuba; Engr Div,
PWD, Rodman, Panama Canal; Engrg Dir, Rota, Spain; PWO, Guantanamo Bay, Cuba; SCE, Guam,
Marianas Islands; SCE, San Diego, CA; SCE, Subic Bay, RP; WC 93, Guantanamo Bay, Cuba
NAVSUPPACT PWO, Holy Loch, UK
NAVSUPPO Sec Offr, La Maddalena, Italy

NAVSWC DET, White Oak Lab, PWO, Silver Spring, MD
NAVWARCOL Code 24, Newport, RI
NAVWPNSTA Earle, Code 092, Colts Neck, NJ; PWO, Seal Beach, CA
NETC Code 42, Newport, RI; PWO, Newport, RI
NCR 20, CO
NETPMSA Tech Library, Pensacola, FL
NMCB 3, Ops Offr; 40, CO; 5, Ops Dept; 74, CO
NORDA Code 1121SP, Bay St. Louis, MS; Code 352, Bay St. Louis, MS; Code 440, Bay St. Louis, MS
NRL Code 2511, Washington, DC; Code 6127 (Bultman), Washington, DC
NSC Cheatham Annex, PWO, Williamsburg, VA; Code 43, Oakland, CA; Code 54.1, Norfolk, VA; Code 700,
Norfolk, VA; SCE, Norfolk, VA
OCNR Code 1121 (EA Silva), Arlington, VA; Code 33, Arlington, VA
PHIBCB 1, CO, San Diego, CA; 1, ELCAS Offer, San Diego, Ca; 1, P&E, San Diego, CA; 2, CO, Norfolk,
VA
PWC Code 10, Oakland, CA; Code 100, Guam, Mariana Islands; Code 101 (Library), Oakland, CA; Code 1011,
Pearl Harbor, HI; Code 110, Oakland, CA; Code 110C, Oakland, CA; Code 123-C, San Diego, CA; Code
30, Norfolk, VA; Code 400, Oakland, CA; Code 400, Pearl Harbor, HI; Code 400, San Diego, CA; Code
420, Great Lakes, IL; Code 420, Oakland, CA; Code 420B (McFarland), Subic Bay, RP; Code 420B (Waid),
Subic Bay, RP; Code 421 (Quin), San Diego, CA; Code 421 (Reynolds), San Diego, CA; Code 422, San
Diego, CA; Code 423, San Diego, CA; Code 424, Norfolk, VA; Code 425 (Kaya), Pearl Harbor, HI; Code
438 (Aresto), San Diego, CA; Code 500, Norfolk, VA; Code 500, Oakland, CA; Code 505A, Oakland, CA;
Code 590, San Diego, CA; Code 700, San Diego, CA; Library (Code 134), Pearl Harbor, HI; Library,
Guam, Mariana Islands; Library, Norfolk, VA; Library, Pensacola, FL; Library, Yokosuka, Japan; Tech
Library, Subic Bay, RP; Code 615, Guam, Mariana Islands
SAN DIEGO PORT Port Fac, Proj Engr, San Diego, CA
SEAL TEAM 6, Norfolk, VA
SUBASE Bangor, PWO (Code 8722), Bremerton, WA
SUPSHIP Tech Library, Newport News, VA
HAYNES & ASSOC II, Haynes, P.E., Oakland, CA
UCT ONE, CO, Norfolk, VA; TWO, CO, Port Hueneme, CA
US GEOLOGICAL SURVEY Marine Geology Offe (Piteleki), Reston, VA
USCINCPAC Code 144, Camp HM Smith, HI
USNA Mech Engrg Dept (Hasson), Annapolis, MD; Ocean Engrg Dept (McCormick), Annapolis, MD; PWO,
Annapolis, MD
USS USS FULTON, Code W-3
ADVANCED TECHNOLOGY, INC Ops Cen Mgt (Bednar), Camarillo, CA
CALIF MARITIME ACADEMY Library, Vallejo, CA
CALIFORNIA Nav & Ocean Dev (Armstrong), Sacramento, CA
CALIFORNIA INSTITUTE OF TECHNOLOGY Environ Engrg Lib, Pasadena, CA
CORNELL UNIVERSITY Civil & Environ Engrg (Dr. Kulhavy), Ithaca, NY
DUKE UNIVERSITY CE Dept (Muga), Durham, NC
FLORIDA ATLANTIC UNIVERSITY Ocean Engrg Dept (McAllister), Boca Raton, FL; Ocean Engrg Dept
(Su), Boca Raton, FL
FLORIDA INST OF TECH CE Dept (Kalajian), Melbourne, FL
INSTITUTE OF MARINE SCIENCES Dir, Morehead City, NC; Library, Port Aransas, TX
IOWA STATE UNIVERSITY CE Dept (Handy), Ames, IA
LEHIGH UNIVERSITY CE Dept, Hydraulics Lab, Bethlehem, PA; Linderman Library, Bethlehem, PA;
Marine Geotech Lab (A. Richards), Bethlehem, PA
MAINE MARITIME ACADEMY Lib, Castine, ME
MICHIGAN TECH UNIVERSITY CE Dept (Haas), Houghton, MI
MIT Engrg Lib, Cambridge, MA; Lib, Tech Reports, Cambridge, MA
NATL ACADEMY OF SCIENCES NRC, Naval Studies Bd, Washington, DC
NEW YORK-NEW JERSEY PORT AUTH R&D Engr (Yontar), Jersey City, NJ
NY CITY COMMUNITY COLLEGE Library, Brooklyn, NY
OREGON STATE UNIVERSITY CE Dept (Yim), Corvallis, OR; Oceanography Scol, Corvallis, OR
PURDUE UNIVERSITY CE Scol (Altschaeff), W. Lafayette, IN; CE Scol (Leonards), W. Lafayette, IN;
Engrg Lib, W. Lafayette, IN
SOUTHWEST RSCH INST R. DeHart, San Antonio TX
TECH UTILIZATION K Willinger, Washington, DC
TEXAS A&I UNIVERSITY Civil & Mech Engr Dept, Kingsville, TX
TEXAS A&M UNIVERSITY CE Dept (Ledbetter), College Station, TX; CE Dept (Niedzwecki), College
Station, TX; Ocean Engr Proj, College Station, TX
UNIVERSITY OF ALASKA Biomed & Marine Sci Lib, Fairbanks, AK
UNIVERSITY OF CALIFORNIA CE Dept (Gerwick), Berkeley, CA
UNIVERSITY OF HAWAII Manoa, Library, Honolulu, HI; Ocean Engrg Dept (Ertekin), Honolulu, HI

UNIVERSITY OF ILLINOIS Arch Scol (Kim), Champaign, IL; Library, Urbana, IL; M.T. Davisson, Urbana, IL; Metz Ref Rm, Urbana, IL
UNIVERSITY OF MICHIGAN CE Dept (Richart), Ann Arbor, MI
UNIVERSITY OF NEBRASKA Polar Ice Coring Office, Lincoln, NE
UNIVERSITY OF NEW MEXICO NMERI (Falk), Albuquerque, NM; NMERI (Leigh), Albuquerque, NM
UNIVERSITY OF TEXAS Breen, Austin, TX; CE Dept (Thompson), Austin, TX; ECJ 5.402 (Friedrich), Austin, TX; ECJ 5.402 (Tucker), Austin, TX
UNIVERSITY OF WISCONSIN Great Lakes Studies Cen, Milwaukee, WI
AMETEK OFFSHORE RSCH Santa Barbara, CA
APPLIED SCI ASSOC, INC White, Orlando, FL
BATTELLE D Frink, Columbus, OH; New Eng Marine Rsch Lab, Lib, Duxbury, MA
BECHTEL NATL, INC Woolston, San Francisco, CA
BETHLEHEM STEEL CO Engrg Dept (Dismuke), Bethlehem, PA
BROWN & ROOT Ward, Houston, TX
COASTAL SCI & ENGRG C Jones, Columbia, SC
CONSTRUCTION TECH LABS, INC Dr. Corley, Skokie, IL
DRAVO CORP Wright, Pittsburg, PA
EASTPORT INTL, INC Mgr (JH Osborn), Ventura, CA
EG&G WASH ANAL. SVC CEN Bonde, Gaithersburg, MD
GIANNOTTI & ASSOC, INC Annapolis, MD
JOHN J MC MULLEN ASSOC Library, New York, NY
LIN OFFSHORE ENGRG P. Chow, San Francisco CA
LINDA HALL LIBRARY Doc Dept, Kansas City, MO
MARITECH ENGRG Donoghue, Austin, TX
MOFFATT & NICHOL ENGRS R Palmer, Long Beach, CA
PACIFIC MARINE TECH (M. Wagne-) Duvall, WA
WOODWARD-CLYDE CONSULTANTS R Cross, Walnut Creek, CA; R Dominguez, Houston, TX