

AD-A172 974

PHOTOCHEMICAL IGNITION STUDIES II OXYGEN-ATOM  
TWO-PHOTON RESONANCE EFFECTS (U) ARMY BALLISTIC RESEARCH  
LAB ABERDEEN PROVING GROUND MD B E FORCH ET AL JUN 86  
BRL-TR-2740 F/G 21/2

1/1

UNCLASSIFIED

ML



END.



1.0



2.8

3.15

3.5

4.0

4.5

2.5

2.2

2.0

1.8



1.1



1.25



1.4



1.6

12



US ARMY  
MATERIEL  
COMMAND

AD

TECHNICAL REPORT BRL-TR-2740

AD-A172 974

PHOTOCHEMICAL IGNITION STUDIES. II.  
OXYGEN-ATOM TWO-PHOTON  
RESONANCE EFFECTS

Brad E. Forch  
Andrzej W. Miziolek

DTIC  
ELECTE  
OCT 9 1986  
S B

June 1986

APPROVED FOR PUBLIC RELEASE; DISTRIBUTION UNLIMITED.

US ARMY BALLISTIC RESEARCH LABORATORY  
ABERDEEN PROVING GROUND, MARYLAND

DTIC FILE COPY

86 10 7 085

Destroy this report when it is no longer needed.  
Do not return it to the originator.

Additional copies of this report may be obtained  
from the National Technical Information Service,  
U. S. Department of Commerce, Springfield, Virginia  
22161.

The findings in this report are not to be construed as an official  
Department of the Army position, unless so designated by other  
authorized documents.

The use of trade names or manufacturers' names in this report  
does not constitute indorsement of any commercial product.

UNCLASSIFIED

SECURITY CLASSIFICATION OF THIS PAGE (When Data Entered)

REPORT DOCUMENTATION PAGE		READ INSTRUCTIONS BEFORE COMPLETING FORM
1. REPORT NUMBER Technical Report BRL-TR-2740	2. GOVT ACCESSION NO. -D-A172 974	3. RECIPIENT'S CATALOG NUMBER
4. TITLE (and Subtitle) PHOTOCHEMICAL IGNITION STUDIES. II. OXYGEN-ATOM TWO-PHOTON RESONANCE EFFECTS	5. TYPE OF REPORT & PERIOD COVERED Final	
7. AUTHOR(s) Brad E. Forch* Andrzej W. Miziolek	6. PERFORMING ORG. REPORT NUMBER	
9. PERFORMING ORGANIZATION NAME AND ADDRESS US Army Ballistic Research Laboratory/LABCOM ATTN: SLCBR-IB Aberdeen Proving Ground, MD 21005-5066	8. CONTRACT OR GRANT NUMBER(s)	
11. CONTROLLING OFFICE NAME AND ADDRESS U.S. Army Ballistic Research Laboratory ATTN: SLCBR-DD-T Aberdeen Proving Ground, MD 21005-5066	10. PROGRAM ELEMENT, PROJECT, TASK AREA & WORK UNIT NUMBERS 1L161102AH43	
14. MONITORING AGENCY NAME & ADDRESS (if different from Controlling Office)	12. REPORT DATE June 1986	13. NUMBER OF PAGES 20
	15. SECURITY CLASS (of this report) Unclassified	
	15a. DECLASSIFICATION/DOWNGRADING SCHEDULE NA	
16. DISTRIBUTION STATEMENT (of this Report)  Approved for public release: distribution unlimited.		
17. DISTRIBUTION STATEMENT (of the abstract entered in Block 20, if different from Report)		
18. SUPPLEMENTARY NOTES *National Research Council Postdoctoral Research Associate Published in Optics Letters		
19. KEY WORDS (Continue on reverse side if necessary and identify by block number) UV Laser Ignition Oxygen Atom Resonances Photochemistry of Combustion Gases Multiphoton Photochemistry Multiphoton Excitation		
20. ABSTRACT (Continue on reverse side if necessary and identify by block number) meg  Ultraviolet lasers have recently been used to activate and ignite reactive gas mixtures through multiphoton photochemical means. The observation of this new phenomenon opens up the possibility of using uv lasers as primary ignition or ignition augmentation sources for igniting propellants or their pyrolysis products. The first report in this series describes the ignition of hydrocarbon/air, N <sub>2</sub> O mixtures by the excimer laser lines KrF (248 nm) and ArF (193 nm). In this report, a sharp wavelength dependence on the amount		

DD FORM 1473  
1 JAN 73

EDITION OF 1 NOV 65 IS OBSOLETE

UNCLASSIFIED

SECURITY CLASSIFICATION OF THIS PAGE (When Data Entered)

UNCLASSIFIED

SECURITY CLASSIFICATION OF THIS PAGE (When Data Entered)

20. Abstract (Cont'd):

of incident laser energy necessary to ignite a premixed flow of  $H_2/O_2$  at atmospheric pressure is described. This wavelength dependence exhibits a spectral profile similar to the two-photon fluorescence excitation curve for flame oxygen atoms and the respective peaks correspond to exactly the same wavelength near 225.6 nm. This similarity clearly indicates that oxygen atom production and subsequent excitation is an important step in the efficient (ca. 0.5 mJ) laser ignition of  $H_2/O_2$  flows in this wavelength region. In addition, the dependence of the incident laser energy on the equivalence ratio reveals that the most efficient ignition occurs far into the fuel-lean region. This behavior further underscores the importance of the interaction between the uv laser and the oxidizer ( $O_2$ ) component in the ignition of this reactive mixture.

UNCLASSIFIED

SECURITY CLASSIFICATION OF THIS PAGE (When Data Entered)

TABLE OF CONTENTS

	<u>Page</u>
I. INTRODUCTION.....	5
II. EXPERIMENTAL.....	5
III. RESULTS AND DISCUSSION.....	6
IV. CONCLUSION.....	8
ACKNOWLEDGEMENTS.....	10
REFERENCES.....	11
DISTRIBUTION LIST.....	13

**S** DTIC ELECTE **D**  
 OCT 9 1986  
**B**

Accession For	
NTIS GRA&I	<input checked="" type="checkbox"/>
DTIC TAB	<input type="checkbox"/>
Unannounced	<input type="checkbox"/>
Justification	
By	
Distribution	
Availability Codes	
Dist	Avail and/or Special
A-1	



## INTRODUCTION

Lasers have been used to ignite reactive mixtures for many years.<sup>1 2 3</sup> In most of this work, high peak-power lasers were employed and the ignition mechanism involved laser "spark" formation in the focal volume as a result of gas breakdown. The general applicability of this phenomenon to ignition studies, however, was found to have two serious limitations. One, since the process of gas breakdown has a sharp energy threshold, control of the amount of energy deposited in the focal volume is quite difficult. Two, because of this threshold effect, the laser produced spark is usually accompanied by a substantial blast wave which can be sufficiently intense to cause a transition into detonation (for detonable gas mixtures)<sup>1 2</sup> or to extinguish an already stabilized flame on a laboratory burner.<sup>3</sup>

The advent of commercially available pulsed uv lasers has recently enabled the ignition of reactive gas mixtures to be accomplished by a different mechanism that involves uv laser-induced photochemistry.<sup>4 5</sup> In fact, photochemical ignition had been demonstrated and studied some time ago through the utilization of the flash photolysis technique.<sup>6</sup> All of the photochemical work thus far has been carried out in the single-photon regime. Quite recently, however, we have performed a series of experiments in our laboratory that involved multiphoton photochemical ignition of reactive mixtures consisting of simple hydrocarbons and air or  $N_2O$  as oxidizers.<sup>7</sup> We reported therein, for example, that the ArF (193 nm) excimer laser could ignite a mixture of  $C_2H_2$ /air with as little as 0.25 mJ of incident laser energy. This behavior is explained by the strong photochemical interaction between the focused ArF laser and the  $C_2H_2$  molecules which produces many reactive intermediates, i.e.,  $C_2H$ ,  $C_2$ ,  $CH$ , H and C radicals, and  $C^+$  ions. We report here an extension of this initial work to a different reactive system, namely,  $H_2/O_2$ . In this work we have observed not only the photochemical interaction between the uv laser and the parent  $O_2$  molecules to produce O atoms, but also a strong wavelength dependence for igniting  $H_2/O_2$  which is related to oxygen atom two-photon excitation. To our knowledge, these results are the first example of such a strong wavelength dependence in the ignition properties of premixed gases.

## II. EXPERIMENTAL

The experimental set-up is very similar to that previously reported,<sup>8</sup> and is shown in Figure 1. Tunable laser radiation in the 225.6 nm region was focused with a 50 mm focal length lens at a position 1-2 mm above the burner surface. The water-jacketed  $H_2/O_2$  burner was fabricated from a stainless steel Swagelock 0.25 in. terminator fitting through which a 0.9 mm hole was drilled. Matheson (Model 620) flowmeters were calibrated by a GCA Precision Scientific wet test meter for  $H_2$  and  $O_2$  flows up to 2 LPM. This resulted in orifice linear flow velocities in the  $10^3$  cm/sec range. The incident laser energies were always measured just before the focusing lens with a Scientech (Model 38-0103) disc calorimeter-power/energy meter. The emission signals were detected, averaged, and processed as described in Reference 8. The excitation wavelength scans were performed manually, and each emission wavelength data point represented the average value for 512 laser shots.



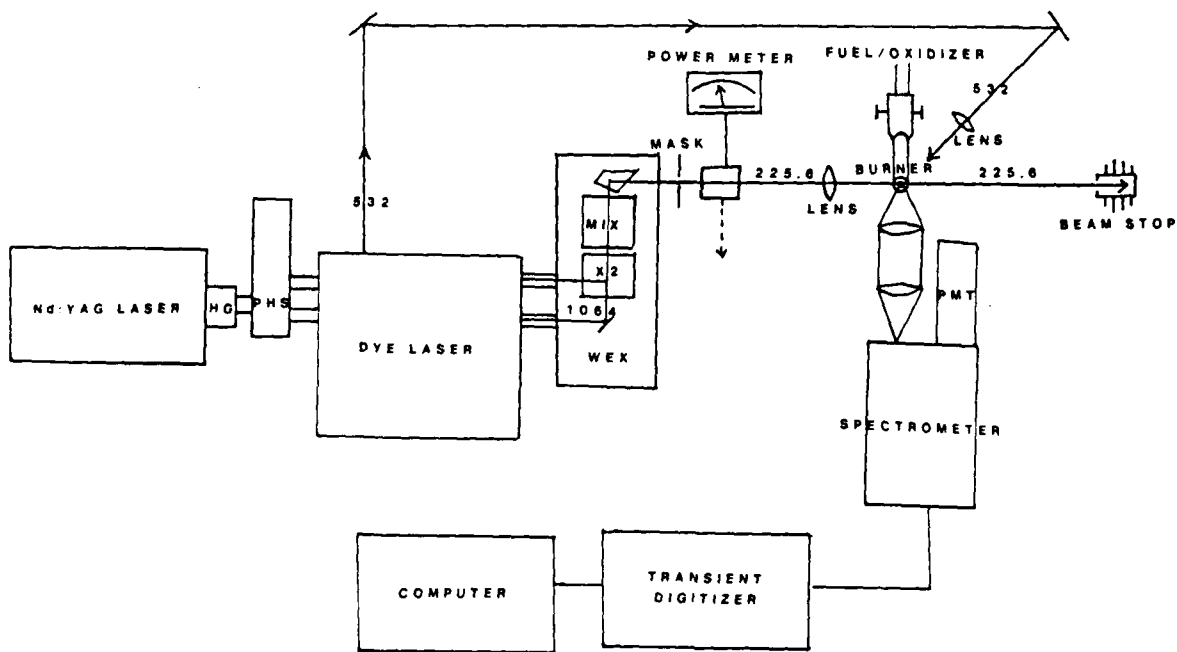


Figure 1. Experimental Schematic

### III. RESULTS AND DISCUSSION

Figure 2 shows the dependence of the incident laser energy required to ignite a fuel lean,  $\phi = 0.6$ , (Figure 2a) and stoichiometric (Figure 2b) flow of  $H_2/O_2$  with the focal point fixed at the same distance above the burner surface. There are two noteworthy features that should be mentioned. One, the width of the fuel-lean wavelength dependence curve is greater than that found for the stoichiometric curve (each curve representing six or more independent measurements). Two, the minimum point in the incident laser energy is lower for the fuel-lean case than for the stoichiometric case. The minimum laser energy value depends on the distance between the laser focal point and the burner surface with the lowest value (ca. 0.3 mJ) recorded in the near limit of the laser tangent to the burner surface. Even in this limit, the relative laser energy difference between the minimum of the two equivalence ratios is maintained. The difference in the widths is not yet well-understood and is currently the subject of further investigations.

Figure 3 depicts the two-photon fluorescence excitation curve for oxygen atoms in a stoichiometric  $H_2/O_2$  flame. The monitored emission at 777.5 nm is a result of the collisionally-induced energy transfer process which populates the upper state (P) of this transition.<sup>8</sup> A comparison of Figures 2 and 3 elicits two noteworthy comments. One, even though the general shapes of all three curves are similar, both Figures 2a and 2b are much broader than the excitation curve. Two, the peaks of all three curves corresponds to exactly the same wavelength. This strongly implies that the excitation of oxygen atoms is an important feature of the ignition mechanism.

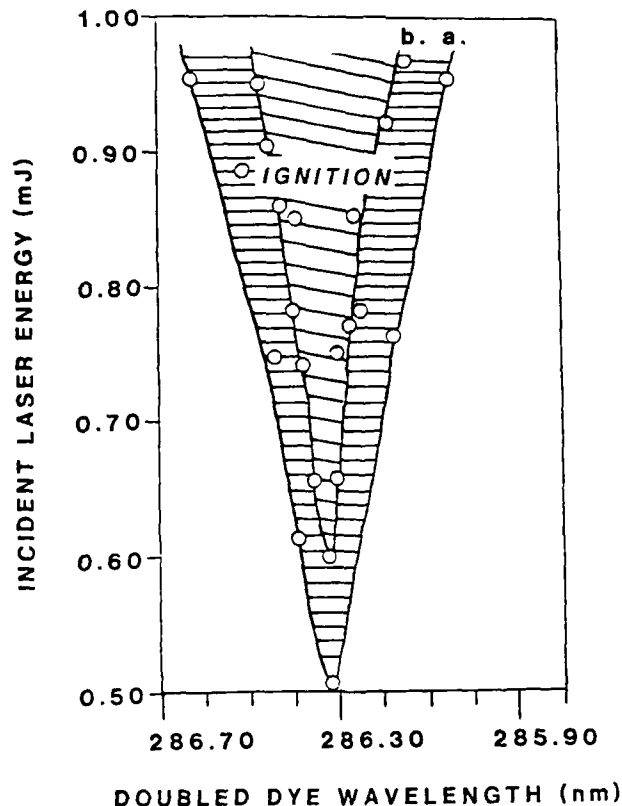


Figure 2. Incident Laser Energy Necessary to Ignite a Premixed Flow of  $H_2/O_2$  Which is (a) Fuel-Lean (Equivalence Ratio = 0.6) and (b) Stoichiometric (Equivalence Ratio = 1) as a Function of Laser Wavelength in the 225.6 nm (Doubled Dye + 1.06 Micron) Region.

Figure 4 gives further evidence that the interaction between the uv laser and the oxidizer in the  $H_2/O_2$  system is particularly important in the ignition process. The observed minimum in the incident laser energy occurs far into the fuel-lean region. This is in contrast to the very large body of previous spark ignition work which has determined that the minimum is generally quite close to an equivalence ratio value of one.<sup>9</sup> On the other hand, the very recent work on photochemical ignition of  $H_2/O_2$  and  $H_2/air$  utilizing 157 and 193 nm radiation has also found the most efficient ignition in the fuel lean region due to the single-photon photolysis of the  $O_2$  molecule.<sup>4</sup>

It should also be mentioned that all of our ignition experiments were performed on gas mixtures that flowed directly into laboratory air, whereas most of the previous measurements were made with gas mixtures irradiated in closed vessels. Advantages of our approach include the simplicity of apparatus and inherent safety since transitions into detonation are avoided. Disadvantages include the possibility of air entrainment (which was observed in our previous work),<sup>7</sup> as well as a more stringent laser energy requirement. This is due to the fact that additional mechanisms that do not affect the closed vessel work, such as a flow of cold gases as well as cooling by the

burner surfaces, may efficiently quench particularly weak ignition kernels. With respect to a possible air entrainment problem, we repeated the ignition experiments a number of times with the laser focal point translated horizontally  $\pm 1$  mm from the center of the  $H_2/O_2$  flow field. The results indicated very little change with respect to ignition behavior, and thus, the uncertainty in the equivalence ratios given in Figure 4 should be quite small.

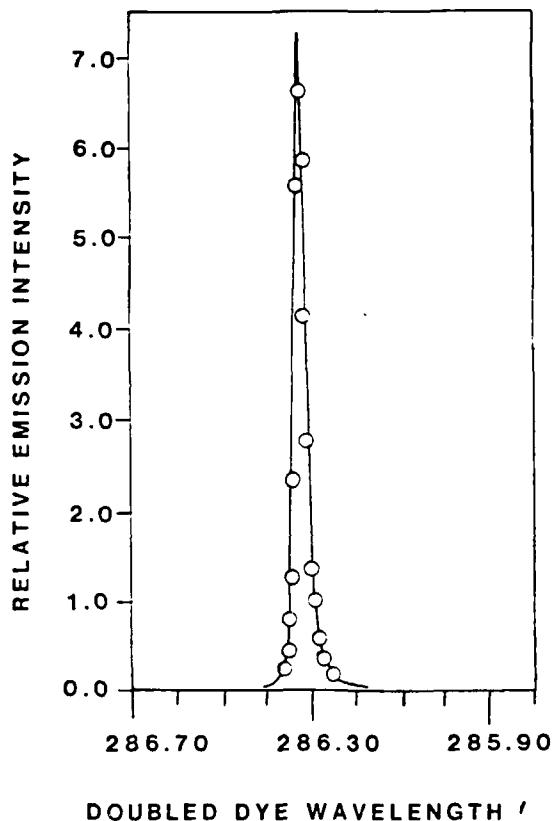


Figure 3. Two-Photon Fluorescence Excitation Spectrum for the J=2 Ground State Spin-Orbit Component of O-Atoms in a Stoichiometric  $H_2/O_2$  Flame. The monitored emission is at 777.5 nm.

#### IV. CONCLUSION

Numerous questions still remain concerning the details of the mechanism involved in multiphoton photochemical ignition. We are, at present, involved in additional experiments in this area. Clearly, the results presented in this report have underscored the importance of the atomic excitation channel for the  $H_2/O_2$  case with the implication that the chemistry of electronically excited O atoms, or the formation of  $O^+$  ions due to the absorption of a third photon,<sup>10</sup> or both, may be key processes in the ignition mechanism. Also, the roles played by the possible photochemical production of metastable atoms or by the heat resulting from the photolysis step and/or from quenching, are not

clear at this time. More experimentation is necessary to characterize the relative importance of each of these factors before this phenomenon is amenable to modeling efforts. Still, the list of potential advantages that result from highly controlled energy deposition into a well-defined volume for the purpose of activating and/or enhancing reactive systems<sup>7</sup> can now be expanded to include the high efficiencies that are normally associated with resonance effects.

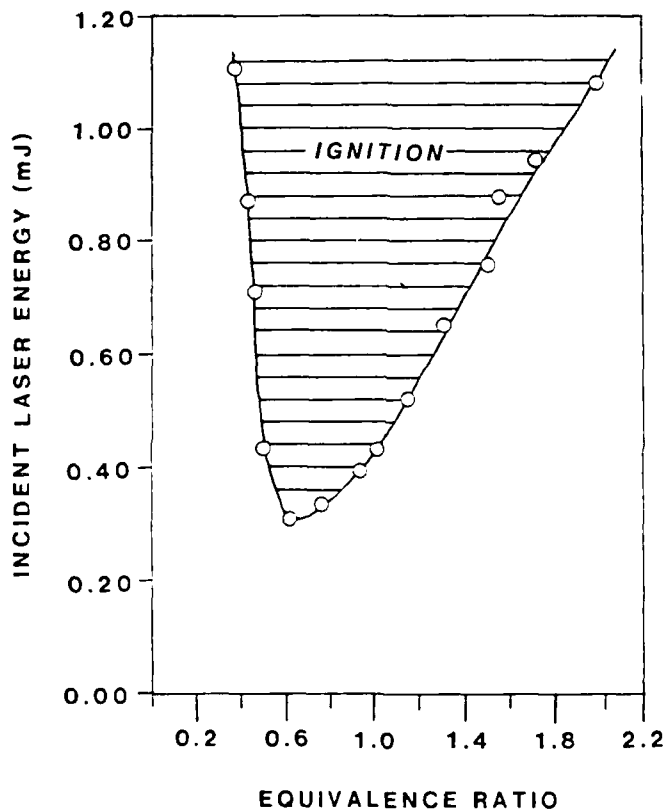


Figure 4. Dependence of the Incident Laser Energy Required to Ignite a  $H_2/O_2$  Mixture as a Function of Equivalence Ratio. The laser wavelength is set at the peak for O-atom two-photon excitation.

#### ACKNOWLEDGEMENTS

The authors thank Mr. Mark DeWilde for experimental advice on  $H_2/O_2$  flows. (Mr. DeWilde is employed at the Ballistic Research Laboratory, Aberdeen Proving Ground, MD.) This research is supported in part by the U.S. Air Force Office of Scientific Research, Contract #85-0056.

#### REFERENCES

1. Lee, J.H., Knystausas, R., "Laser Spark Ignition of Chemically Reactive Gases," AIAA Journal, Vol. 7, p. 312, 1969.
2. Weinberg, F.J., and Wilson, J.R., "A Preliminary Investigation of the Use of Focused Laser Beams for Minimum Ignition Energy Studies," Proc. Roy. Soc. Lond. A, Vol. 321, p. 41, 1971.
3. Schmieder, R.W., "Laser Spark Ignition and Extinction of a Methane-Air Diffusion Flame," J. Appl. Phys., Vol. 52, p. 3000, 1981.
4. Lavid, M., and Stevens, J.G., "Photochemical Ignition of Premixed Hydrogen/Oxidizer Mixtures with Excimer Lasers," Combustion and Flame, Vol. 60, p. 195, 1985.
5. D. Lucas, Lawrence Berkeley Laboratory, private communication.
6. Norrish, R.G.W., "The Study of Combustion by Photochemical Methods," 10th Symposium (Int.) on Comb., The Combustion Institute, Vol. 1, 1965.
7. Sausa, R.C., and Miziolek, A.W., "Photochemical Ignition Studies. I. Laser Ignition of Flowing Premixed Gases," BRL-TR-2644, February 1985.
8. Miziolek, A.W., and DeWilde, M.A., "Multiphoton Photochemical and Collisional Effects During Oxygen-Atom Flame Detection," Opt. Lett., Vol. 9, p. 390, 1984.
9. Lewis, B., and Von Elbe, G., Combustion, Flames and Explosions of Gases, Academic Press, New York, 1951, p. 390.
10. Goldsmith, J.E.M., "Resonant Multiphoton Optogalvanic Detection of Atomic Oxygen in Flames," J. Chem. Phys., Vol. 78, p. 1610, 1983.

DISTRIBUTION LIST

<u>No. Of Copies</u>	<u>Organization</u>	<u>No. Of Copies</u>	<u>Organization</u>
12	Administrator Defense Technical Info Center ATTN: DTIC-DDA Cameron Station Alexandria, VA 22304-6145	1	Commander US Army Aviation Research and Development Command ATTN: AMSAV-E 4300 Goodfellow Blvd. St. Louis, MO 63120
1	HQ DA DAMA-ART-M Washington, DC 20310	1	Director US Army Air Mobility Research and Development Laboratory Ames Research Center Moffett Field, CA 94035
1	Commander US Army Materiel Command ATTN: AMCDRA-ST 5001 Eisenhower Avenue Alexandria, VA 22333-0001	4	Commander US Army Research Office ATTN: R. Ghirardelli D. Mann R. Singleton R. Shaw P.O. Box 12211 Research Triangle Park, NC 27709-2211
10	Central Intelligence Agency Office of Central Reference Dissemination Branch Room GE-47 HQS Washington, DC 20505		
1	Commander Armament R&D Center US Army AMCCOM ATTN: SMCAR-TSS Dover, NJ 07801	1	Commander US Army Communications - Electronics Command ATTN: AMSEL-ED Fort Monmouth, NJ 07703
1	Commander Armament R&D Center US Army AMCCOM ATTN: SMCAR-TDC Dover, NJ 07801	1	Commander ERADCOM Technical Library ATTN: DELSD-L, Reports Section Fort Monmouth, NJ 07703-5301
1	Director Benet Weapons Laboratory Armament R&D Center US Army AMCCOM ATTN: SMCAR-LCB-TL Watervliet, NY 12189	2	Commander Armament R&D Center US Army AMCCOM ATTN: SMCAR-LCA-G, D.S. Downs J.A. Lannon Dover, NJ 07801
1	Commander US Army Armament, Munitions and Chemical Command ATTN: SMCAR-ESP-L Rock Island, IL 61299	1	Commander Armament R&D Center US Army AMCCOM ATTN: SMCAR-LC-G, L. Harris Dover, NJ 07801

DISTRIBUTION LIST

<u>No. Of Copies</u>	<u>Organization</u>	<u>No. Of Copies</u>	<u>Organization</u>
1	Commander Armament R&D Center US Army AMCCOM ATTN: SMCAR-SCA-T, L. Stiefel Dover, NJ 07801	1	Commander US Army Development and Employment Agency ATTN: MODE-TED-SAB Fort Lewis, WA 98433
1	Commander US Army Missile Command Research, Development and Engineering Center ATTN: AMSMI-RD Redstone Arsenal, AL 35898	1	Office of Naval Research Department of the Navy ATTN: R.S. Miller, Code 432 800 N. Quincy Street Arlington, VA 22217
1	Commander US Army Missile and Space Intelligence Center ATTN: AMSMI-YDL Redstone Arsenal, AL 35898-5000	1	Commander Naval Air Systems Command ATTN: J. Ramnarace, AIR-54111C Washington, DC 20360
2	Commander US Army Missile Command ATTN: AMSMI-RK, D.J. Ifshin W. Wharton Redstone Arsenal, AL 35898	2	Commander Naval Ordnance Station ATTN: C. Irish P.L. Stang, Code 515 Indian Head, MD 20640
1	Commander US Army Missile Command ATTN: AMSMI-RKA, A.R. Maykut Redstone Arsenal, AL 35898-5249	1	Commander Naval Surface Weapons Center ATTN: J.L. East, Jr., G-23 Dahlgren, VA 22448-5000
1	Commander US Army Tank Automotive Command ATTN: AMSTA-TSL Warren, MI 48397-5000	2	Commander Naval Surface Weapons Center ATTN: R. Bernecker, R-13 G.B. Wilmot, R-16 Silver Spring, MD 20902-5000
1	Director US Army TRADOC Systems Analysis Activity ATTN: ATAA-SL White Sands Missile Range, NM 88002	1	Commander Naval Weapons Center ATTN: R.L. Derr, Code 389 China Lake, CA 93555
1	Commandant US Army Infantry School ATTN: ATSH-CD-CSO-OR Fort Benning, GA 31905	2	Commander Naval Weapons Center ATTN: Code 3891, T. Boggs K.J. Graham China Lake, CA 93555



DISTRIBUTION LIST

<u>No. Of Copies</u>	<u>Organization</u>	<u>No. Of Copies</u>	<u>Organization</u>
5	Commander Naval Research Laboratory ATTN: M.C. Lin J. McDonald E. Oran J. Shnur R.J. Doyle, Code 6110 Washington, DC 20375	1	NASA Langley Research Center Langley Station ATTN: G.B. Northam/MS 168 Hampton, VA 23365
1	Commanding Officer Naval Underwater Systems Center Weapons Dept. ATTN: R.S. Lazar/Code 36301 Newport, RI 02840	4	National Bureau of Standards ATTN: J. Hastie M. Jacox T. Kashiwagi H. Semerjian US Department of Commerce Washington, DC 20234
1	Superintendent Naval Postgraduate School Dept. of Aeronautics ATTN: D.W. Netzer Monterey, CA 93940	1	OSD/SDIO/UST ATTN: L.H. Caveny Pentagon Washington, DC 20301-7100
4	AFRPL/DY, Stop 24 ATTN: R. Corley R. Geisler J. Levine D. Weaver Edwards AFB, CA 93523-5000	1	Aerojet Solid Propulsion Co. ATTN: P. Micheli Sacramento, CA 95813
1	AFRPL/MKPB, Stop 24 ATTN: B. Goshgarian Edwards AFB, CA 93523-5000	1	Applied Combustion Technology, Inc. ATTN: A.M. Varney P.O. Box 17885 Orlando, FL 32860
1	AFOSR ATTN: J.M. Tishkoff Bolling Air Force Base Washington, DC 20332	2	Applied Mechanics Reviews The American Society of Mechanical Engineers ATTN: R.E. White A.B. Wenzel 345 E. 47th Street New York, NY 10017
1	Air Force Armament Laboratory ATTN: AFATL/DLODL Eglin AFB, FL 32542-5000	1	Atlantic Research Corp. ATTN: M.K. King 5390 Cherokee Avenue Alexandria, VA 22314
		1	Atlantic Research Corp. ATTN: R.H.W. Waesche 7511 Wellington Road Gainesville, VA 22065

DISTRIBUTION LIST

<u>No. Of Copies</u>	<u>Organization</u>	<u>No. Of Copies</u>	<u>Organization</u>
1	AVCO Everett Rsch. Lab. Div. ATTN: D. Stickler 2385 Revere Beach Parkway Everett, MA 02149	1	General Electric Ordnance Systems ATTN: J. Mandzy 100 Plastics Avenue Pittsfield, MA 01203
1	Battelle Memorial Institute Tactical Technology Center ATTN: J. Huggins 505 King Avenue Columbus, OH 43201	2	General Motors Rsch Labs Physics Department ATTN: T. Sloan R. Teets Warren, MI 48090
1	Cohen Professional Services ATTN: N.S. Cohen 141 Channing Street Redlands, CA 92373	2	Hercules, Inc. Allegany Ballistics Lab. ATTN: R.R. Miller E.A. Yount P.O. Box 210 Cumberland, MD 21501
1	Exxon Research & Eng. Co. Government Research Lab ATTN: A. Dean P.O. Box 48 Linden, NJ 07036	1	Hercules, Inc. Bacchus Works ATTN: K.P. McCarty P.O. Box 98 Magna, UT 84044
1	Ford Aerospace and Communications Corp. DIVAD Division Div. Hq., Irvine ATTN: D. Williams Main Street & Ford Road Newport Beach, CA 92663	1	Honeywell, Inc. Government and Aerospace Products ATTN: D.E. Broden/ MS MN50-2000 600 2nd Street NE Hopkins, MN 55343
1	General Applied Science Laboratories, Inc. ATTN: J.I. Erdos 425 Merrick Avenue Westbury, NY 11590	1	IBM Corporation ATTN: A.C. Tam Research Division 5600 Cottle Road San Jose, CA 95193
1	General Electric Armament & Electrical Systems ATTN: M.J. Bulman Lakeside Avenue Burlington, VT 05401	1	IIT Research Institute ATTN: R.F. Remaly 10 West 35th Street Chicago, IL 60616
1	General Electric Company 2352 Jade Lane Schenectady, NY 12309		

DISTRIBUTION LIST

<u>No. Of Copies</u>	<u>Organization</u>	<u>No. Of Copies</u>	<u>Organization</u>
2	Director Lawrence Livermore National Laboratory ATTN: C. Westbrook M. Costantino P.O. Box 808 Livermore, CA 94550	1	Rockwell International Corp. Rocketdyne Division ATTN: J.E. Flanagan/HB02 6633 Canoga Avenue Canoga Park, CA 91304
1	Lockheed Missiles & Space Co. ATTN: George Lo 3251 Hanover Street Dept. 52-35/B204/2 Palo Alto, CA 94304	4	Sandia National Laboratories Combustion Sciences Dept. ATTN: R. Cattolica S. Johnston P. Mattern D. Stephenson Livermore, CA 94550
1	Los Alamos National Lab ATTN: B. Nichols T7, MS-8284 P.O. Box 1663 Los Alamos, NM 87545	1	Science Applications, Inc. ATTN: R.B. Edelman 23146 Cumorah Crest Woodland Hills, CA 91364
1	National Science Foundation ATTN: A.B. Harvey Washington, DC 20550	1	Science Applications, Inc. ATTN: H.S. Pergament 1100 State Road, Bldg. N Princeton, NJ 08540
1	Olin Corporation Smokeless Powder Operations ATTN: V. McDonald P.O. Box 222 St. Marks, FL 32355	3	SRI International ATTN: G. Smith D. Crosley D. Golden 333 Ravenswood Avenue Menlo Park, CA 94025
1	Paul Gough Associates, Inc. ATTN: P.S. Gough 104 <sup>th</sup> South Street Portsmouth, NH 03801	1	Stevens Institute of Tech. Davidson Laboratory ATTN: R. McAlevy, III Hoboken, NJ 07030
2	Princeton Combustion Research Laboratories, Inc. ATTN: M. Summerfield N.A. Messina 475 US Highway One Monmouth Junction, NJ 08852	1	Textron, Inc. Bell Aerospace Co. Division ATTN: T.M. Ferger P.O. Box 1 Buffalo, NY 14240
1	Hughes Aircraft Company ATTN: T.E. Ward 8433 Fallbrook Avenue Canoga Park, CA 91303	1	Thiokol Corporation Elkton Division ATTN: W.N. Brundige P.O. Box 241 Elkton, MD 21921

DISTRIBUTION LIST

<u>No. Of Copies</u>	<u>Organization</u>	<u>No. Of Copies</u>	<u>Organization</u>
1	Thiokol Corporation Huntsville Division ATTN: R. Glick Huntsville, AL 35807	1	Brigham Young University Dept. of Chemical Engineering ATTN: M.W. Beckstead Provo, UT 84601
3	Thiokol Corporation Wasatch Division ATTN: S.J. Bennett P.O. Box 524 Brigham City, UT 84302	1	California Institute of Tech. Jet Propulsion Laboratory ATTN: MS 125/159 4800 Oak Grove Drive Pasadena, CA 91103
1	TRW ATTN: M.S. Chou MSR1-1016 1 Parke Redondo Beach, CA 90278	1	California Institute of Technology ATTN: F.E.C. Culick/ MC 301-46 204 Karman Lab. Pasadena, CA 91125
1	United Technologies ATTN: A.C. Eckbreth East Hartford, CT 06108	1	University of California, Berkeley Mechanical Engineering Dept. ATTN: J. Daily Berkeley, CA 94720
3	United Technologies Corp. Chemical Systems Division ATTN: P.S. Brown T.D. Myers (2 copies) P.O. Box 50015 San Jose, CA 95150-0015	1	University of California Los Alamos Scientific Lab. P.O. Box 1663, Mail Stop B216 Los Alamos, NM 87545
2	United Technologies Corp. ATTN: R.S. Brown R.O. McLaren P.O. Box 358 Sunnyvale, CA 94086	2	University of California, Santa Barbara Quantum Institute ATTN: K. Schofield M. Steinberg Santa Barbara, CA 93106
1	Universal Propulsion Company ATTN: H.J. McSpadden Black Canyon Stage 1 Box 1140 Phoenix, AZ 85029	2	University of Southern California Dept. of Chemistry ATTN: S. Benson C. Wittig Los Angeles, CA 90007
1	Veritay Technology, Inc. ATTN: E.B. Fisher 4845 Millersport Highway P.O. Box 305 East Amherst, NY 14051-0305	1	Case Western Reserve Univ. Div. of Aerospace Sciences ATTN: J. Tien Cleveland, OH 44135

DISTRIBUTION LIST

<u>No. Of Copies</u>	<u>Organization</u>	<u>No. Of Copies</u>	<u>Organization</u>
1	Cornell University Department of Chemistry ATTN: T.A. Cool Baker Laboratory Ithaca, NY 14853	3	Pennsylvania State University Applied Research Laboratory ATTN: K.K. Kuo H. Palmer M. Micci University Park, PA 16802
1	Univ. of Dayton Rsch Inst. ATTN: D. Campbell AFRPL/PAP Stop 24 Edwards AFB, CA 93523	1	Polytechnic Institute of NY Graduate Center ATTN: S. Lederman Route 110 Farmingdale, NY 11735
1	University of Florida Dept. of Chemistry ATTN: J. Winefordner Gainesville, FL 32611	2	Princeton University Forrestal Campus Library ATTN: K. Brezinsky I. Glassman P.O. Box 710 Princeton, NJ 08540
3	Georgia Institute of Technology School of Aerospace Engineering ATTN: E. Price W.C. Strahle B.T. Zinn Atlanta, GA 30332	1	Princeton University MAE Dept. ATTN: F.A. Williams Princeton, NJ 08544
1	University of Illinois Dept. of Mech. Eng. ATTN: H. Krier 144MEB, 1206 W. Green St. Urbana, IL 61801	1	Purdue University School of Aeronautics and Astronautics ATTN: J.R. Osborn Grisson Hall West Lafayette, IN 47906
1	Johns Hopkins University/APL Chemical Propulsion Information Agency ATTN: T.W. Christian Johns Hopkins Road Laurel, MD 20707	1	Purdue University Department of Chemistry ATTN: E. Grant West Lafayette, IN 47906
1	University of Michigan Gas Dynamics Lab Aerospace Engineering Bldg. ATTN: G.M. Faeth Ann Arbor, MI 48109-2140	2	Purdue University School of Mechanical Engineering ATTN: N.M. Laurendeau S.N.B. Murthy TSPC Chaffee Hall West Lafayette, IN 47906
1	University of Minnesota Dept. of Mechanical Engineering ATTN: E. Fletcher Minneapolis, MN 55455	1	Rensselaer Polytechnic Inst. Dept. of Chemical Engineering ATTN: A. Fontijn Troy, NY 12181

DISTRIBUTION LIST

<u>No. Of Copies</u>	<u>Organization</u>
1	Stanford University Dept. of Mechanical Engineering ATTN: R. Hanson Stanford, CA 94305
1	University of Texas Dept. of Chemistry ATTN: W. Gardiner Austin, TX 78712
1	University of Utah Dept. of Chemical Engineering ATTN: G. Flandro Salt Lake City, UT 84112
1	Virginia Polytechnic Institute and State University ATTN: J.A. Schetz Blacksburg, VA 24061

Aberdeen Proving Ground

Dir, USAMSAA  
ATTN: AMXSY-D  
AMXSY-MP, H. Cohen  
Cdr, USATECOM  
ATTN: AMSTE-TO-F  
Cdr, CRDC, AMCCOM  
ATTN: SMCCR-RSP-A  
SMCCR-MU  
SMCCR-SPS-IL

USER EVALUATION SHEET/CHANGE OF ADDRESS

This Laboratory undertakes a continuing effort to improve the quality of the reports it publishes. Your comments/answers to the items/questions below will aid us in our efforts.

1. BRL Report Number \_\_\_\_\_ Date of Report \_\_\_\_\_

2. Date Report Received \_\_\_\_\_

3. Does this report satisfy a need? (Comment on purpose, related project, or other area of interest for which the report will be used.) \_\_\_\_\_  
\_\_\_\_\_  
\_\_\_\_\_

4. How specifically, is the report being used? (Information source, design data, procedure, source of ideas, etc.) \_\_\_\_\_  
\_\_\_\_\_  
\_\_\_\_\_

5. Has the information in this report led to any quantitative savings as far as man-hours or dollars saved, operating costs avoided or efficiencies achieved, etc? If so, please elaborate. \_\_\_\_\_  
\_\_\_\_\_  
\_\_\_\_\_

6. General Comments. What do you think should be changed to improve future reports? (Indicate changes to organization, technical content, format, etc.) \_\_\_\_\_  
\_\_\_\_\_  
\_\_\_\_\_

CURRENT ADDRESS

Name \_\_\_\_\_  
Organization \_\_\_\_\_  
Address \_\_\_\_\_  
City, State, Zip \_\_\_\_\_

7. If indicating a Change of Address or Address Correction, please provide the New or Correct Address in Block 6 above and the Old or Incorrect address below.

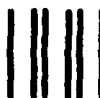
OLD ADDRESS

Name \_\_\_\_\_  
Organization \_\_\_\_\_  
Address \_\_\_\_\_  
City, State, Zip \_\_\_\_\_

(Remove this sheet along the perforation, fold as indicated, staple or tape closed, and mail.)

FOLD HERE

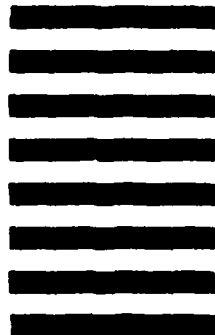
Director  
U.S. Army Ballistic Research Laboratory  
ATTN: SLCBR-DD-T  
Aberdeen Proving Ground, MD 21005-5066



NO POSTAGE  
NECESSARY  
IF MAILED  
IN THE  
UNITED STATES

OFFICIAL BUSINESS  
PENALTY FOR PRIVATE USE, \$300

**BUSINESS REPLY MAIL**  
FIRST CLASS PERMIT NO 12062 WASHINGTON, DC  
POSTAGE WILL BE PAID BY DEPARTMENT OF THE ARMY



Director  
U.S. Army Ballistic Research Laboratory  
ATTN: SLCBR-DD-T  
Aberdeen Proving Ground, MD 21005-9989

FOLD HERE



END.