

MICROCOPY

CHART

2

AD-A168 429

DTIC
ELECTE
JUN 10 1986
S D



AIR COMMAND AND STAFF COLLEGE

STUDENT REPORT

AUTOMATING THE AFOTC
FOUR-YEAR SCHOLARSHIP PROGRAM

MAJ JOHN C. SAMPSON 86-2205
"insights into tomorrow"

DTIC FILE COPY

DISTRIBUTION STATEMENT A
Approved for public release
Distribution Unlimited

86 6 10 025

DISCLAIMER

The views and conclusions expressed in this document are those of the author. They are not intended and should not be thought to represent official ideas, attitudes, or policies of any agency of the United States Government. The author has not had special access to official information or ideas and has employed only open-source material available to any writer on this subject.

This document is the property of the United States Government. It is available for distribution to the general public. A loan copy of the document may be obtained from the Air University Interlibrary Loan Service (AUL/LDEX, Maxwell AFB, Alabama, 36112) or the Defense Technical Information Center. Request must include the author's name and complete title of the study.

This document may be reproduced for use in other research reports or educational pursuits contingent upon the following stipulations:

-- Reproduction rights do not extend to any copyrighted material that may be contained in the research report.

-- All reproduced copies must contain the following credit line: "Reprinted by permission of the Air Command and Staff College."

-- All reproduced copies must contain the name(s) of the report's author(s).

-- If format modification is necessary to better serve the user's needs, adjustments may be made to this report--this authorization does not extend to copyrighted information or material. The following statement must accompany the modified document: "Adapted from Air Command and Staff Research Report (number) entitled (title) by (author) ."

-- This notice must be included with any reproduced or adapted portions of this document.



REPORT NUMBER 86-2205

TITLE AUTOMATING THE AFOTC FOUR-YEAR SCHOLARSHIP PROGRAM

AUTHOR(S) MAJOR JOHN C. SAMPSON, USAF

FACULTY ADVISOR LT COL ROBERT WEIS, ACSC/EDX

SPONSOR LT COL ROBERT D. DELONGCHAMP, AFOTC/RRU

**Submitted to the faculty in partial fulfillment of
requirements for graduation.**

**AIR COMMAND AND STAFF COLLEGE
AIR UNIVERSITY
MAXWELL AFB, AL 36112**

UNCLASSIFIED

SECURITY CLASSIFICATION OF THIS PAGE

REPORT DOCUMENTATION PAGE

1a. REPORT SECURITY CLASSIFICATION UNCLASSIFIED		1b. RESTRICTIVE MARKINGS	
2a. SECURITY CLASSIFICATION AUTHORITY		3. DISTRIBUTION/AVAILABILITY OF REPORT	
2b. DECLASSIFICATION/DOWNGRADING SCHEDULE		<div style="border: 2px solid black; padding: 5px; text-align: center;"> DISTRIBUTION STATEMENT A Approved for public release Distribution unlimited </div>	
4. PERFORMING ORGANIZATION REPORT NUMBER(S) 86-2205			
6a. NAME OF PERFORMING ORGANIZATION ACSC/EDCC	6b. OFFICE SYMBOL <i>(if applicable)</i>	7a. NAME OF MONITORING ORGANIZATION	
6c. ADDRESS (City, State and ZIP Code) MAXWELL AFB, AL 36112-5542		7b. ADDRESS (City, State and ZIP Code)	
8a. NAME OF FUNDING/SPONSORING ORGANIZATION	8b. OFFICE SYMBOL <i>(if applicable)</i>	9. PROCUREMENT INSTRUMENT IDENTIFICATION NUMBER	
8c. ADDRESS (City, State and ZIP Code)		10. SOURCE OF FUNDING NOS.	
11. TITLE (Include Security Classification) AUTOMATING THE AFROTC FOUR-YEAR		PROGRAM ELEMENT NO.	PROJECT NO.
		TASK NO.	WORK UNIT NO.
12. PERSONAL AUTHOR(S) SAMPSON, JOHN C., MAJOR, USAF			
13a. TYPE OF REPORT	13b. TIME COVERED FROM _____ TO _____	14. DATE OF REPORT (Yr. Mo., Day) 1986 April	15. PAGE COUNT 276
16. SUPPLEMENTARY NOTATION ITEM 11: SCHOLARSHIP PROGRAM			
17. COSATI CODES		18. SUBJECT TERMS (Continue on reverse if necessary and identify by block number)	
FIELD	GROUP		
19. ABSTRACT (Continue on reverse if necessary and identify by block number) <p>The current AFROTC Four-Year Scholarship Program's Data Processing System software was written in 1968. Since then, personnel have modified and added to the system. This functional description provides the foundation for developing a new system. It complies with the requirements of DODS 793.5, Automated Data System Documentation Index of Specifications and Standards. The description defines unique terms, summarizes current and proposed systems, provides specific requirements for the proposed system, identifies environmental considerations, cost factors and a system development plan.</p>			
20. DISTRIBUTION/AVAILABILITY OF ABSTRACT UNCLASSIFIED/UNLIMITED <input type="checkbox"/> SAME AS RPT. <input checked="" type="checkbox"/> DTIC USERS <input type="checkbox"/>		21. ABSTRACT SECURITY CLASSIFICATION UNCLASSIFIED	
22a. NAME OF RESPONSIBLE INDIVIDUAL ACSC/EDCC MAXWELL AFB, AL 36112-5542		22b. TELEPHONE NUMBER <i>(Include Area Code)</i> (205) 293-2483	22c. OFFICE SYMBOL

302
174

PREFACE

This project was undertaken with a two-fold purpose in mind. First, it acts as a functional description, complying with the basic requirements outlined in Automated Data System Documentation Index of Specifications and Standards (DODS 793.5) for development of a new/revised automated data system. Second, it documents the cumbersome system that has grown 300 percent in the last ten years and is tied to a processing system designed in 1968 for "hard-wire" technology.

This project would not have been completed without the assistance of a number of people. Special thanks go to Lt John Wandelt, whose technical expertise in systems designs translated requirements into the specifics identified in this project; my wife, Susie, who devoted countless hours in typing and retyping the manuscript; and my son, Chuck, who programmed the graphics included in the attachments.

Accession For	
NTIS CRA&I	<input checked="" type="checkbox"/>
DTIC TAB	<input type="checkbox"/>
Unannounced	<input type="checkbox"/>
Justification	
By	
Distribution /	
Availability Codes	
Dist	Avail and/or Special
A-1	



ABOUT THE AUTHOR

Major John Sampson began his career in the Air Force in 1970 as a Ground Control Radar Repairman. After receiving his commission in 1973 from OTS, he became a Minuteman Crew Member where he completed SOS by correspondence and a Masters in Education. He returned to OTS in 1977 where he became the Manager of the Professional Knowledge Block of Instruction. In 1981 he headed a task force to restructure the curriculum so it provided a more intense officership experience. While at OTS he wrote numerous articles on running and physical fitness for both the school and base papers. While completing his Masters in Social Work, one of his papers, "Children: The Unseen Casualty of Alcoholism", was published in the book, Alcoholism: Culture and Family. Prior to being transferred to headquarters AFROTC, he completed ACSC by seminar. At AFROTC Headquarters he held a number of positions and published "Officership in the Air Force" in the Educational Journal. Prior to attending ACSC, Major Sampson was assigned as the Branch Chief of the Four-Year Scholarship Program where he identified the labor intensiveness of the program and began to update the system.

TABLE OF CONTENTS

	Page
Preface.....	iii
About the Author.....	iv
Executive Summary.....	viii
Section One --- General.....	1
- Purpose of Functional Description.....	1
- Project References.....	1
- Terms and Abbreviations.....	1
Section Two --- System Summary.....	3
- Background.....	3
- Objectives.....	4
- Existing Methods and Procedures.....	4
- Proposed Methods and Procedures.....	13
-- Summary of Improvements.....	17
-- Summary of Impact.....	18
Section Three --- Detailed Characteristics.....	19
- Specific Performance Requirements.....	19
- System Functions.....	22
- Inputs/Outputs.....	24
- Data Characteristics.....	26
- Failure Contingencies.....	26
Section Four --- Environment.....	26
- Equipment.....	26
- Support Software.....	27
- Interface.....	27
- Security and Privacy.....	27
Section Five --- Cost Factors.....	27
Section Six --- System Development Plan.....	27
Bibliography.....	29
Appendices.....	30

APPENDICES

APPENDICES/ATTACHMENTS	Page(s)
1. Current Application Package.....	1-1 to 8
2. FYSP Report Request Sheet.....	2-1
3. Disqualification Codes.....	3-1
4. Current Applicant Master Layout.....	4-1 to 4
5. Input Layout to DODMERB.....	5-1 to 3
6. DODMERB Layout to FYSP.....	6-1 to 4
7. RRUF Inquiries.....	7-1 to 3
8. Inquiry Formats.....	8-1 to 49
9. Intent Card Formats.....	9-1
10. Current Data Flow-Chart.....	10-1
11. SAT Layout.....	11-1
12. ACT Layout.....	12-1 to 3
13. Interview Evaluation Form.....	13-1 & 2
14. Annual Scholarship Report Format.....	14-1 & 2
15. Academic Majors Worksheet.....	15-1
16. Applicant Status Report.....	16-1
17. DIN Table.....	17-1 to 5
18. Proposed Information Flow-Chart.....	18-1
19. Proposed Data Flow-Chart.....	19-1
20. Proposed Office System Flow.....	20-1
21. Optically Read Application Form.....	21-1 to 15
22. Standard File.....	22-1 & 2
23. Administrative Unit Action Roster.....	23-1
24. Scholarship Cycle Flow-Chart.....	24-1
25. Computer-Generated Postcard.....	25-1 to 3
26. Interview Status Report/Recruiting Roster.....	26-1
27. Admin. Units/ADCOs by Zip Codes.....	27-1 to 46
28. Demographic Statistics Layout.....	28-1 to 3
29. Cumulative Statistical Package Layout.....	29-1 to 3
30. SAT/ACT Records Control Roster.....	30-1
31. Applicant Information Sheet.....	31-1
32. Optically Read Scoring Sheet.....	32-1
33. Panel Member/Board Point Spread Report.....	33-1 & 2
34. Board Rank Roster.....	34-1
35. Board Alpha Roster.....	35-1
36. Optically Read Intent Form.....	36-1 & 2
37. Schools Codes Affiliated With AFROTC Intent Form.....	37-1 to 5
38. Recipient Alpha List/Call-In Inquiry/ Update.....	38-1
39. Fixed Statistical File.....	39-1 & 2
40. Label Layout.....	40-1
41. Applicant Record Inquiry Layout.....	41-1

CONTINUED

APPENDICES/ATTACHMENTS	Page(s)
42. Inquiry Layout.....	42-1
43. Sample Computer Addressed Letter.....	43-1 & 2
44. Scholarship Awards Program Screen Layout.....	44-1
45. FICE Code List.....	45-1 to 36
46. No Medical Status Inquiry.....	46-1
47. Journal Format.....	47-1
48. Menu Format.....	48-1
49. Unit of Preference Roster.....	49-1
50. Data Matrix.....	50-1 to 4



EXECUTIVE SUMMARY

Part of our College mission is distribution of the students' problem solving products to DoD sponsors and other interested agencies to enhance insight into contemporary, defense related issues. While the College has accepted this product as meeting academic requirements for graduation, the views and opinions expressed or implied are solely those of the author and should not be construed as carrying official sanction.

"insights into tomorrow"

REPORT NUMBER 86-2205

AUTHOR(S) MAJOR JOHN C. SAMPSON, USAF

TITLE AUTOMATION OF THE AFROTC FOUR-YEAR SCHOLARSHIP PROGRAM (FYSP)

I. Purpose: To develop a functional description for a computer system to serve as a basis for mutual understanding between the user and the system developer.

II. Problem: Although FYSP currently processes some data automatically, it is labor-intensive with limited data being keyed into the system; uses large volumes of paper products daily; requires a redundant paper system because current record space does not exist for required information; and it's tied to the technology of the late 1960's.

III. Data: The existing software was developed in 1968 for manually wired boards. Modifications have been made over the years; but because of extensive reprogramming, documentation for changes was lost. When problems occur, troubleshooting can take days. Current branch manning was computed on processing approximately 10,000 applications a year. In Academic Years 83-84 and 84-85, some 15,000 applications were processed. For 6 months, four overhires are added to process the 150,000 pieces of correspondence and the thousands of telephone calls. This \$9 million program is competing with the other military services for the top ten percent of this country's high school youth. The other branches of service are 5 years ahead in processing, screening, selecting and communicating with this highly select group. More than half of the some 11,000 board qualified applicants are considered by the selection board after the Army's deadline for accepting their scholarships. Data processing is the principle cause of the delay. The manual entry

CONTINUED

takes approximately 60 days to complete after the application deadline. The proposed system can compress that entry time to 10 hours. Using computer-generated postcards and mail/merge correspondence, applicants will have more information far more rapidly and accurately. This should reduce the telephone inquiries while streamlining the clerical requirements. A single source of information, the data base, and the capability of on-line access will reduce the requirement for paper products.

IV. Conclusion: The proposed system will simplify and accelerate data processing; significantly reduce the reliance on paper products and the labor-intensity of the current system; and consolidate information which will enhance management capability and ultimately reduce scholarship costs, while being more responsive to the needs of applicants. It will incorporate state of the art technology, designed to keep in step with the other services' scholarship programs, enhance the security of the system and reduce personnel costs.

V. Recommendation: AFROTC, working with the 1973 Information System Group, should adopt the proposed system and the incremental development plans outlined in Section 6.

SECTION 1. GENERAL

1.1 Purpose of Functional Description. This functional description for the automation of the AF ROTC Four-Year Scholarship Program provides:

- a. The system requirements that must be satisfied and serves as a basis for the mutual understanding between AFROTC/RRU and 1973 ISG/SVP.
- b. A summary of the existing system and the proposed system, performance requirements, preliminary design, user impact, description of equipment capabilities and support software, security requirements, cost factors and an implementation proposal.
- c. A basis for the development of system tests.

1.2 Project References. The development of computer programs will allow AFROTC to more effectively track and manage the four-year scholarship applicant's data, medical, scholarship and alternate status for scholarships with an estimated worth of more than \$9 million. The project sponsor is AFROTC/RRUF, the project user is AFROTC; and 1973 ISG/DOL is the operating center responsible for running the completed program. The following are applicable documents:

- a. Project request AF Form 3215.
- b. Four-year scholarship Operation Manual, DACI 171-684 Vol I
- c. Four-year scholarship User's Manual, DACI 171-684 Vol II
- d. Four-year scholarship Maintenance Manual, DACI 171-684 Vol III.
- e. AFROTC Information System Requirements Document 85-1.
- f. Automated Data System (ADS) Documentation Index of Specifications and Standards, DODS 7935
- g. Zenith 100 Utilities Manual.
- h. VIPA H 7700 Imulator Manual.

1.3 Terms and Abbreviations.

NOTE: Proposed status codes are identified by a single letter in parenthesis.

- a. Administrative Detachment. Units designated by Area Commandants to conduct four-year scholarship interviews. Units are notified of the interview required through the Administrative Unit Action Roster (AUAR).
- b. Admission Counselor (ADCO)/Regional Director of Recruiting. Air Force officer who conducts a coordinated regional recruiting program under the supervision of an Area Commandant.
- c. AFROTC Unit. A military unit with active duty Air Force personnel. They're assigned to a host college or university to serve as faculty to instruct AFROTC cadets and conduct the majority of four-year scholarship interviews.
- d. Alternate (A) Candidate not offered an initial scholarship but is medically qualified and has submitted a Letter of Admission from the intended institution where he/she will enroll. (Some code in both current and proposed system except proposed system adds Letter of Admission.)
- e. Alternate Rank. Ranking of alternates based on board score and Cadet Profile Score.
- f. American College Test (ACT). A standard aptitude test used to evaluate applicants' potential for success in college. The math score range is 1-36 (20 minimum qualifying) and the English score range is 1-36 with 19 the minimum score required to qualify an applicant for FYSP consideration. Required composite score is 23 out of a possible 36 points (AFROTCR 45-10, P. 91 and DACI 171-68 II, ATCH 1) along with minimums in math and English qualifies an applicant for consideration as a nominee if s/he meets class standing requirements.
- g. Applicant. An individual who has submitted at least part of a scholarship application and whose Social Security Account Number (SSAN) is on file in the Four-Year Scholarship Program (FYSP) data base.
- h. Applicant Information Sheet (AIS). A computer profile of an applicant provided to board members designed to supply key factors needed in considering a nominee for a FYSP scholarship.
- i. Asterisk Status (*). An asterisk is added to any status allowing that applicant's record to update but not allowing the computer to generate correspondence. Entry and removal of the asterisk is a manual action and requires an explanation be added to the history area at the end of the record.

(F status in current system acts as an administrative hold on the applicant without preventing his/her record from being updated.)

j. Board Rank. A cumulative ranking of those selected by previous boards and/or the ranking of all individuals reviewed by a board based on the panel score, Cadet Profile Score, College Entrance Examination Board (CEEB) score, class standing standard score and Alpha order of last name (DACI 171-68 II, p. 3-4).

k. Cadet Profile Score. The sum of points assigned to the individual accomplishments of the applicant. The score is used to brief the AFROTC Commandant on the quality of applicants before a board; identify for the board president possible discrepancies between the quality of an applicant and the score assigned by the board; and used to select candidates to meet the scholarship selection board.

l. Candidate (C). An applicant who meets all board requirements and will be considered by the next selection board. (Same for both current and proposed systems.)

m. Class Rank. A percentile reference achieved by dividing class size into numerical standing of the individual within the class. It is converted to a point spread or standard score based on size of class (DACI 171-68 II, ATCH #7 & 8).

n. College Entrance Examination Board (CEEB) Score. Converts SAT total score and ACT component score to a common scale ranging from 475 to 1600. SAT is a straight transfer while ACT requires a conversion table (DACI 171-68 II, ATCH 1).

o. Department of Defense Medical Evaluation Review Board (DODMERB). The reviewing agency for medical examinations administered for entry into all Army, Navy and Air Force four-year scholarship programs. NOTE: Once identification is provided to the agency, DODMERB corresponds directly with the applicant and only provides AFROTC qualification status and if any, disqualification codes (AFROTCR 45-10, p. 145).

p. Data Identification Number (DIN). A number assigned to a data field for easy identification and access.

q. Disqualified (D). Applicant is removed from further program consideration by entering the specific reason for disqualification. (Ref. Attachment 3 for codes and explanations.) When an applicant is disqualified, the applicant is automatically notified of the reason by computer-generated correspondence. (Same as Q status in current system.)

r. FYSP Application (USAF Form 113 - ATCH 21). An Optical Mark Reader (OMR) form completed by an applicant and certified as correct by a school official. It replaces the DD Form 1893 (ATCH 1).

s. Grade Point Average (GPA). A conversion of a letter grade or percentage for a single course to a comparable scale of 0 to 4 with A=4.00. The mean of the scale scores then becomes the GPA.

t. Incomplete Status (I). Some portion of the applicant's package is incomplete (i.e. missing SAT/ACT scores, transcript, page(s) of application form, academic major, etc.). Same as D status in current system.

u. Interview (USAFA/AFROTC Form 1 - ATCH 13). Conducted by AFROTC unit personnel or an Air Force Admissions Liaison Officer (ALO) to assess an applicant's officership potential. Rated on several factors on a scale of 1 to 5 with 5 being the highest.

v. Letter of Admission (LOA). Letter from a university associated with a four-year AFROTC program that has accepted a designee to a school offering the scholarship identified degree or an alternate's first choice of majors. LOA confirmation is entered into the system with an optically read intent form (ATCH 36) completed by the applicant.

w. Medically Disqualified (M). Applicant is medically disqualified by DODMERB and denied a waiver for commission by the ATC Surgeon General. Notice and cause of medical disqualification are provided directly to the applicant by DODMERB. (Same for both current and proposed system.)

x. Medically Qualified Designee (Q). Engineer, technical, nontechnical, missile or navigator designee who lacks only a Letter of Admission from the intended institution where the scholarship will be used. All other requirements are complete. (Same as E status in current system.)

y. Nominee (N). An applicant that meets minimum qualifications but lacks a personal interview. (This is an additional status in proposed system not identified in the current system.)

z. Quality Enhancement Program (QEP). A recruiting initiative designed to create an awareness within the minority community of AFROTC opportunities and the four-year scholarship program (AFROTCR 45-10, p. 95).

aa. Removed Applicant (Z). Applicant is erroneously entered in the data base (i.e. same applicant with two SSANs) or has died since applying. (Same in both current and proposed system.)

bb. Scholarship Cycle. A new data file is established the first of July and is transferred to tape and monitored for historical reference approximately 18 months later. During the last six months of a given calendar year, two data bases are in use.

cc. Scholarship Designee (S). All designee requirements are completed and the appropriate documents are forwarded to the designated detachment for scholarship activation. (Same in both current and proposed system.)

dd. Scholastic Aptitude Test (SAT). A standard aptitude test used to evaluate an applicant's potential for success in college. The math score range is 100-800 (500 minimum qualification) and the verbal score range is 100-800 with 450 the minimum required score to qualify an applicant for FYSP consideration. Required total score is 1000 out of a possible 1600 points (AFROTCR 45-10, p. 91 and DACI 171-68 II, ATCH 1) along with minimums in math and verbal qualifies an applicant for consideration as a nominee if s/he meets class standing requirements.

ee. Social Security Account Number (SSAN). The applicant's SSAN is used to identify the applicant's file in the data base.

ff. Tentative Alternate (L). Finalist not offered an initial scholarship but is listed as a possible choice if a scholarship becomes available. A Letter of Admission may or may not be on file and the individual is pending medical qualification. (Same in both current and proposed systems.)

gg. Tentative Designee (T). Designee is pending medical qualification. The designee's Letter of Admission may or may not be on file from the intended institution where the scholarship will be used. (Same in both current and proposed systems.)

hh. Transcript. A high school certified cumulative record listing courses of study and the individual's academic performance through the 11th grade or highest grade completed beyond the 11th grade.

ii. Unknown Acceptance (U). An alternate who has completed the medical qualification requirements but has yet to indicate acceptance of alternate status and submitted a Letter of Acceptance. (This is an additional status in the proposed system not identified in the current system.)

jj. Waiver Status (W). An applicant who's medically disqualified by DODMERB but who's case is being reviewed by the ATC Surgeon General. Notice and cause of medical disqualification is provided to the applicant by DODMERB and forwarded to ATC for review.

SECTION 2 SYSTEM SUMMARY

2.1 Background. The Air Force ROTC Four-Year Scholarship Program (FYSP) attracts and retains students whose academic specialties and potential career areas meet Air Force needs for officers who will develop and operate the advance systems of the future (1: para 4-2). Public Law 88-647, Section 2107 of title 10, U.S. Code, and amended by P.L. 92-166 and the annual DOD Appropriation Acts, authorizes the scholarship program (1: para 4-3). Section 450 of Public Law 90-580 (1: para 4-3 [conviction by a court]); P.L. 88-647 and P.L. 96-357 (1: para 3-7 [references to age limitation]); and Section 6 of title 50, U.S. Code, Appendix 456 (3: Table 2 [requiring U.S. citizenship]) provide the legal basis for scholarship eligibility. Some 15,000 applicants apply annually and compete for approximately 2,000 FYSP scholarships in specific academic specialties that fill Air Force manpower requirements. The bachelor's degree program focuses primarily on engineering and scientific majors, but offers scholarships for navigators and missile launch officer

candidates and selected technical and nontechnical students. Air Force ROTC provides an opportunity for those selected for a scholarship to attend any one of 700 colleges and universities across the country and earn an undergraduate degree while studying the dynamics of officer ship and competing for a commission in the U.S. Air Force. The scholarship pays full tuition, as well as certain fees and expenses, and a monthly allowance. The annual cost of FYSP is over \$9 million.

The FYSP branch is responsible for processing applications, coordinating physical examinations and personal interviews, convening selection boards of senior Air Force officers, processing board results, notifying finalists and forwarding scholarship authorization documents to the gaining unit.

2.2 Objectives. The proposed computer program will eliminate manual screening and data entry of application information and dual record keeping; significantly reduce the reliance on paper products, accelerate data entry with the use of optically read personal interviews, selection board scoring and scholarship acceptance forms; produce computer-generated correspondence; and increase system reliability and selection board consistency while enhancing information availability through a more user-friendly, direct-access inquiry system.

2.3 Existing Methods and Procedures.

During much of a given 12-month period, two FYSP data files are in operation at least half of the time. One is the current scholarship cycle system which begins in June and "theoretically" closes out a little over a year later with the start of the fall semester. The other system primarily finalizes administrative requirements of the previous scholarship cycle and covers the August through December time frame. The programs overlap between June and December. To describe the existing system, a month-by-month format will be used.

In June the chief of the FYSP requests a new file be created for a new data base (current program) from data automation. The FYSP clerks begin screening FYSP applications, DD Form 1893 (ATCH 1), and calculating grade point averages and class standings. They ensure applicants have a minimum of 2.5 grade point average on a 4.0 scale and fall in the top 25 percent in their class. They manually load this information using four-phase terminals to magnetic tape along with College Entrance Examination scores (Scholastic Aptitude Test - SAT or American College Test - ACT), if provided on their transcript, and the information on the AFROTC FORM 101 (ATCH 1-1). The clerk then files the application, data entry form, and Statement of Recommendation, AFROTC Form 102 (ATCH 1-7), along with the student's transcript, College Entrance Examination records and any letter of recommendation in a folder. This folder is manually updated throughout the scholarship cycle. If any portion of the application, including the data entry form, transcript, or college entrance scores is missing, the clerk manually codes the applicant's data file as incomplete. The applicant's name is penciled on the folder and filed alphabetically. If the applicant does not meet minimum qualifications (i.e., Math 500, Verbal 450, Total 1000 on the SAT or Math 20, English 19, Composit 23 on the ACT with a 2.5 Grade Point Average on a 4.0 scale and in the top 25 percent in class standing), the folder is forwarded to the FYSP Educational Technician for review and consideration for waiver. Some 4000 records are considered for a waiver each year based on selected admission of the school, advanced honors program not weighed in the GPA or class standing calculations. Before any of the information can be processed, the magnetic tape, FYSP "KK" Transaction/Control Card (3: ATCH A1-28) and FYSP Report Request Sheet (ATCH 2), with the required products circled, must be transported to 1973 ISG/DOL. The operator adds the required programming cards and forwards the requests to the "computer floor" and the magnetic tape to Gunter AFS where it's read into the Honeywell 6060 which updates the current FYSP data base (ATCH 14). From a typical update the following products are required: Sorted Transaction, used to monitor the types of transactions completed on the tape; Erroneous Transactions, used to identify clerical errors; Summary Reports, used to provide statistics on various categories of applications, and the SSAN Roster, used to provide a current applicant list by SSAN.

In addition to the previous supervisory reports, the alpha roster and mailing labels are the principle tools used by the clerks to monitor their applicants' data files. Each clerk is responsible for

a portion of the alphabet, equating to approximately 2,000 to 2,500 records. Three alpha rosters, containing basic identification information and current scholarship and medical status, are distributed to the seven clerks for reference and to answer telephone inquiries. Mailing labels identify the applicant, his/her mailing address, current status, and the date of the status. The clerk puts a label on the file folder over the penciled-in name of a new record and adds a label each time the application status changes. Adding labels to the front of the folder allows the clerk to maintain a historic record of an applicant's status. The labels are also used to address correspondence. For example, if the applicant is not qualified (ATCH 3) or information is missing, the applicant is sent a postcard or form letter notifying them of their status using the mailing label.

Once an applicant meets minimum qualifications, they are immediately screened for physical examinations by the computer and identified for personal interviews. For the qualified applicant with an initial criteria of a College Entrance Examination Board (CEEB) Score of 1100 or greater or a minority applicant, identification information is formatted (ATCH 5), stored on magnetic tape, sent to the DOD Medical Examination Review Board (DODMERB) and used to update their data base. This agency schedules the applicant for a physical examination and reviews the examination report. DODMERB updates the applicant's record as the individual's medical status changes (ATCH 6) by magnetic tape. Those not meeting the initial criteria but later selected as a designee or alternate are identified to DODMERB in a later tape.

While new applications are being processed, the records of individuals selected as designees and alternates from the previous cycle are being updated with Letter of Admission (LOA) and intent card (ATCH 9) information. With the LOA and intent card, the individual provides three pieces of information: the individual has been accepted by a school in the required scholarship area; identifies the school the individual plans to attend; and s/he accepts the FYSP offer. Inquiries RRUF-8 & 10 (ATCH 8-2 & 3) are used to assist the clerks in screening designee and alternate folders for missing LOAs before RRUF-7 & 21 (ATCH 8-2 & 5) produces computer punched cards used to disqualify the designees and alternates during the next update. (NOTE: Inquiries listed in ATCH 7 provide information and punch cards to perform required functions not covered by standard reports listed in ATCH 2. FYSP inquiries are designated by the letters "RRUF" then the number of the inquiry.) After those lacking a LOA are disqualified, a Detachment of Preference roster (ATCH 2 PCNH-19E) is requested to provide ADCOs and units with a list of students they can expect to enroll at their unit in the fall.

In July new applications continue to be processed in the current cycle while folders from the previous cycle are moved to the historical holding area to make way for the new folders. DODMERB begins sending certified physicals to gaining units for those scheduled to enroll in September using a Recipient Alpha Roster (ATCH 2 PCN*-19B) sent to them by FYSP. DODMERB forwards a list of cadets enrolled at the three service academies. These lists are manually compared to the FYSP data base from the last cycle so that anyone who accepted a scholarship and sent a Letter of Admission but failed to notify the branch of their enrollment at a service academy can be disqualified and their gaining unit notified of their change in status on an updated Det of Preference Roster.

During July and August the FYSP staff train Air Force personnel stationed around the world on procedures required to support the FYSP. They prepare new unit personnel on interviewing techniques and requirements, new Junior ROTC instructors on requirements and procedures for the AFJROTC guaranteed engineering scholarship, ADCOs for changes that will impact on recruiting four-year scholarships and OEP applicants and brief the five Area Commandants on the previous scholarship cycle and requirements for the current scholarship cycle.

In August FYSP prepares for the activation phase of the previous scholarship cycle. It sends units a letter of activation (RRUF 32) for each scholarship designee. The letter is the source document authorizing the activation of an individual's scholarship. All designees or alternates still lacking a certified physical are also being followed by the FYSP medical clerk and the staff at DODMERB to ensure all medical requirements are met prior to the start of school. This process is done manually. During the early part of July, the Air Force Academy (AFA) purges its data base in preparation for the

new academic year. DODMERB, who shares the computer with AFA, has its data base down loaded as the Academy prepares for a new academic year. This data purge requires DODMERB and FYSP to track all AFROTC designees and alternates still needing medical follow-ups on an annotated computer product.

During the latter part of August or early part of September, designees and alternates from the previous cycle are transferred to the Cadet Personnel System. This allows for the smooth acquisition of scholarship activation into the data base monitoring all AFROTC cadets.

In September FYSP broadens its interaction with outside agencies on the current scholarship cycle (ATCH 10). The first SAT (ATCH 11) and ACT (ATCH 12) tapes are loaded into the system. The tapes include the identification information and scores of individuals who have requested their scores be sent to AFROTC/FYSP. The information on the tape is based on the tests scored the previous month. The tapes are not cumulative. The individual's social security number (SSAN) is used to match scores and applicants' record. If the SSAN is incorrectly coded, the applicant's record will not automatically update and the individual must then send in a paper copy of the test results. There is a CEEB Master File that accumulates test score data that matches the individual record and scores even if the application arrives months after the test. A copy of the FYSP data base is made and forwarded to the AFROTC Liaison Officer at USAFA after every update except during the scholarship process. The information from this tape is used by Air Force Admission Liaison Officers (coordinated out of USAFA) in recruiting and interviewing in their respective high schools. FYSP also begins requesting personal interviews through the Administrative Action Unit Roster [AUAR] (ATCH 2 - PCN #19A). There is one AUAR for each administrative unit and each AUAR has four parts. Part one is the initial request list. Part two is a cumulative list of all outstanding interviews that the unit has a responsibility to complete. Parts three and four are no longer used but are automatically produced. One limitation of this system is if an AUAR is lost, an applicant's name may initially appear in part two and unit personnel may overlook the individual in scheduling the applicant for an interview. Interviewers use the USAFA/AFROTC Form 1 (ATCH 13) to record their evaluations. The Air Force Academy and the FYSP both use this form. The Academy uses the OMR feature. FYSP manually records the overall rating in the data base and removes the individual's name from part two of the ADAR. Once the interview is received and filed in the applicant's folder, the folder is ready to be reviewed by the next scholarship selection board. While units are trying to schedule new people for interviews, they are also activating scholarships.

From mid-September until the end of October, the FYSP staff telephonically coordinates with units across the country to determine which previous cycle scholarships are activated and ensure the goals by academic specialties are met (uses designee/alternate by det inquiry). This task is compounded by designees indicating they accepted a scholarship only to back out at the last minute; they accept a scholarship from another ROTC program, company or university, or attend one of the service academies; their medical status changes because of an injury during the summer; or they become ineligible for a scholarship because of legal or drug complications since completing their personnel interview. Typically, more than 3,000 designees and 2,000 alternates are selected to fill approximately 2,000 scholarships. Historically, at the start of each school year, the list of designees has dwindled to less than 2,000 and the list of alternates still interested is approximately 600. As designees fail to enroll and activate their scholarship, FYSP begins elevating medically qualified alternates. Depending on a number of factors, one-third to one-half of the remaining alternates will be offered scholarships by the end of October. The scholarship goals are achieved with the help of the Scholarship Award Totals (ATCH 2, PCN #28A) and the following inquiries: Alternates by Rank Order (RRUF 18), Alternates by Dets (RRUF 19), Winners by Det (RRUF 24) and hours on the telephone coordinating which designees and alternates have enrolled.

October begins a busy 6 month period for the FYSP Branch primarily with the current cycle, but also with the closing out of the previous cycle. The FYSP/NCOIC focuses his/her attention on the current cycle by closely monitoring administrative units (overdue interview RRUF 25); hiring and training the four overhires that will help the clerk with opening and sorting the mail, keying application information to magnetic tape, and answering hundreds of daily telephone requests; and

monitoring clerical errors not identified by erroneous transactions (ATCH 2, PCN #14A) such as applicants missing basic information (RRUF 17), applicants needing waivers (RRUF 26), applicants lacking minimum qualifications (RRUF 30 & 31), unacceptable SAT/ACT test scores (RRUF 40 & 50), incorrect academic preference (RRUF 41), and incorrect information entered (RRUF 56, 64, 65, & 68). The medical clerk who has been working closely with DODMERB throughout August and September tries to finalize all medical waiver requirements. Tools used by the medical clerk include Designees without Medical Status (RRUF 5 & 6), FYSP Applicants Medically Disqualified (RRUF 14), Alternates without Medical Status (RRUF 15 & 16), and all applicants in Flag Status (RRUF 997). The Branch Chief and the Educational Technician begin to gather statistical data from the preceding four-year scholarship cycle for the Annual Report on AFROTC for the Fiscal Year (ATCH 14). Because of the dynamic nature of the data base, the Statistical Package for the Social Sciences (SPSS) from each board and the weekly accumulation of scholarship award totals (ATCH 2, PCN #28A) must be used to complete the report. Balancing the spreadsheet of statistics in this report is often a frustrating and lengthy task because the system may or may not count an individual or double count an individual, depending on update, medical or scholarship information. Once the Annual Report is complete, attention is turned to the current cycle with the preparation for the November Scholarship Selection Board. A pre-board SPSS is requested to obtain the basic demographic data on the approximately 1400 records that will meet the November board. This data is used to pre-brief the AFROTC Registrar and Commandant.

In November the principle focus turns to the three phases of the selection board process. During the initial phase of this process, ACT and SAT Selection Board Rosters (RRUF 80 & 81) are used to identify applicants that will meet the board. Approximately a week before the board, clerks begin to group applicants' folders by the College Entrance Examination (SAT or ACT), using the Selection Board Roster. Grouping applicants by examinations allows board members to compare applicants using the same "potential" scores. As the folders are grouped, the clerk ensures the folders are complete and in the same order. Each folder contains the four page application and the Statement of Recommendation (ATCH 1), High School transcript, interview evaluation (ATCH 13) and any letters of recommendation along with the data entry form (AFROTC 101-ATCH 1-1) and any correspondence with the applicant since s/he has applied to the FYSP. The last two items are not reviewed by the board but are stored in the folder. Two work days prior to the board, SAT and ACT Selection Board Rosters are updated. In addition to updating the Selection Board Roster, minority and low interview rating Selection Board Rosters are run for the board president (RRUF 84, 85, 88 & 89) along with Board Scoring Exercise Rosters (RRUF 70 & 71).

Selection Board Rosters (RRUF 80 & 81) serve three purposes: they act as a scoring sheet, group information for comparison purposes, and serve as an administrative tool to control record flow. FYSP runs four copies of each inquiry. The inquiry lists the individuals in alphabetical order, leaves a space for the board members to record the individual's score ranging between 55-100, and then provides the panel member with basic comparison statistics on each applicant, including: class rank, size and percentile, grade point average, interview numerical rating, the administration unit that did the interview, SAT math, verbal, and total scores along with the SAT range for each or ACT math, English, and composite scores along with the ACT range for each, the individual's academic preference and JROTC unit. Finally, the inquiry provides a convenient way to divide folders into groups and control their flow during the board proceedings. The clerks group records corresponding to the 17 applicant names appearing on each page of the inquiry. The stacks of 17 records are accounted for throughout the board process by the type of college entrance test and the page number (i.e., ACT 1, SAT 14, etc.). Three copies of the roster are attached to the stack of records. The fourth becomes the master roster maintained by the FYSP/NCOIC used for record control. As a panel member "scores a stack" that score sheet is separated from the stack and given to the recorder. The recorder provides the administrative support for the board, including transferring scores, resolving splits (discussed later), controlling records flow, etc.

After the three panel members score a stack of records, their scores are prepared for data entry. The recorder transfers the scores to computer cards (RRUF 90) with a felt tip pen. Another clerk verifies the scores by comparing the scoring sheets to the annotated computer cards. The cards are then key punched by a third clerk and verified by a fourth clerk. The cards are loaded into the computer each night and a final crosscheck is done by clerks using RRUF 103 to spot scores not ending in 0 or 5 (possible number inversion).

The second phase consists of the selection board proceedings. On the morning of the first day of the board, the AFROTC Commandant swears in the board members and outlines what he expects of them as board members. The Chief of FYSP briefs the members on the number of records they will review over the next 4 1/2 days and the demographic data of the group being reviewed. The FYSP Educational Technician then "walks" the members through a typical folder and explains what information is available and where it is located in the folder. The board divides into panels and the panels participate in the Board Scoring Exercise. Panel members score the records between 55 (do not consider for a scholarship) and 100 (absolutely offer the individual a scholarship) with a score of 75 representing the average applicant. During the exercise they're encouraged to keep notes on why they scored a particular record a certain way and reminded to use the full range of scores. After twelve sample records are scored by all the board members, the recorder compares the scores record by record. A record having scores with a difference of 15 or more point spread indicates that board members are "split" on what to do with the applicant the record represents. During the discussion period, these records with splits are brought back to the board and the record is openly discussed by the entire board. This is the only time records are discussed openly by the board. Once board members begin officially scoring records, they will only discuss records within a panel to resolve a "split".

The president of the board, usually the ranking officer who has previously been a FYSP board member, conducts the board and acts as a special review authority. First, the president monitors panels for consistency. Throughout the 4 1/2 days the president will monitor each panel to ensure a panel gives the same score to the same type of record. The president does this by reviewing all minority records scored (RRUF 84 & 85) and approximately ten percent of the remaining records scored by the panels. Additionally the president reviews all records of individuals with interview ratings (RRUF 88 & 89) that place them in the not recommended or recommended with reservations category (ATCH 13-Block "H"). The president attempts to determine if the interviews fairly represent the individual in the context of additional information available in the board folder. If the president believes there is a problem with the interview assessment, s/he can ask for clarification of a point, for the interview to be reaccomplished or present the folder to a panel for review and instruct them to disregard portions of the interview. The later option is usually reserved for the final selection board because the interviewer cannot be reached and there is sufficient question of the reliability of the overall rating. (An example might be an overseas interview done by a diplomat who rated low because of a noted bias or obvious lack of information.) For applicants with below average interview ratings that the president believes were fairly assessed, s/he acts as the final review of the record. The president scores such a record as 55 and the recorder adds two more 55s so the computer processes the score. A person with three 55s is automatically eliminated during the awards process. This procedure is required however to ensure everyone "board qualified" is reviewed by the board and processed by the awards program.

Following the second day's scoring, Board Scores and Simulated Board Rank Rosters (RRUF 101 & 102) provide the board president with the distribution of scores by panel and establishes the quality cutoff on the final day of the board. Because the score-entry system is cumbersome and data retrieval is subject to Air University's (AU) war gaming priorities, the feedback the Board Scores Rosters provide the president can be delayed until the morning of the fourth day. To counter this the recorder monitors the range of panel members' scores and notes patterns that may skew scoring distribution. The limitation with this method is that in processing 400 to 500 scores a day, the recorder will only identify "blatant disregard" for using the full range of scores. Panels that cluster their scores to avoid

splits eliminate the ability to identify the quality of applicants and hamper the selection process. The Simulated Board Rank Roster aids in establishing the "quality cutoff point." This point is the total panel score above which scholarships are offered and below which applicants are deferred or dropped from further consideration. The day prior to the board's out brief, the FYSP Branch Chief compares the total number of records the board will review with the total records reviewed by the same board in previous years (i.e., November '83 and November '84). Then the Branch Chief compares the median and mode score of panels for both boards. Historically, the boards review approximately the same number of records (based on the Annual Report for 83, 84 & 85). By taking the previous year's cutoff score and adjusting it to the current year's scoring pattern, a proposed cutoff point or score is established. The FYSP staff selects a sample of records from each panel at that score. The Branch Chief may raise or lower the Proposed Quality Cutoff Score if the selection rate differs from the previous year and s/he wants to increase or decrease the pool of considerees. The sample of records is presented to the president and s/he is asked to determine if the quality of the sample warrants scholarships. If the president and the board members s/he selects to help determine the quality factor agree, then that score becomes the Quality Cutoff Score in the scholarship award process. If they do not agree then another sample of records is selected with panel scores five points higher than those previously submitted for their review. Historically, the quality of the applicants is so high the review process normally requires no more than one additional sample group before there is a consensus. The number of records selected for the sample is usually one percent of the total number of records reviewed by the board.

On the final day of the board, the president out briefs the AFROTC Commandant. S/He briefly outlines the number of records the board reviewed, the percentage s/he's personally reviewed, any trends s/he or the board may have observed, along with any recommendations they want to make in streamlining or improving the process, modifying the information available to board members and their satisfaction that they selected the kinds of young people needed by the Air Force.

While the board is deliberating, the FYSP Branch Chief is preparing the data base for the third phase of the process, the scholarship awards program. Based on needs for commissioned officers with specific academic specialties, Military Personnel Center (MPC), establishes AFROTC's production goals for 5 years into the future. The AFROTC Programs and Plans staff, in conjunction with the Selections Division, establish the number of four-year scholarships that will be offered during a given scholarship cycle, to meet the production goals. The FYSP Branch Chief applies a persistence factor of 54 percent for scholarship offers and 300 percent for alternate offers when determining the number of designees and alternates. This is based on the historical losses that occur between offering the applicant a scholarship and those signing scholarship contracts (based on 1983-84 and 1984-85 data). An example may help explain the process. If the goal was 2,000 cadets on scholarship contract, then 3080 scholarships would be offered and for 500 alternates approximately 2,000 would be identified. At the start of school approximately 1800 designees and approximately 600 alternates would enroll. The 200 alternates would be selected by academic specialty to obtain the desired percentages distributed in each academic specialty. (Example based on 82-83 and 83-84 scholarship cycles.) Usually about one-fifth of the total scholarship offers are made during the November board with the remainder of the offers divided between the January and March boards.

Once the number of scholarship offers is determined for a particular board, the FYSP Branch Chief calculates the number of Engineering, Scientific-Technical and Nontechnical scholarships using the Scholarship Worksheet (ATCH 15). This same worksheet with slight modification is used to monitor the percentage of scholarship offers which are outstanding by academic major on a weekly basis. (A note of clarification: The percentage of academic majors offered differs from the goals to cover last minute changes/substitutions caused by administrative problems at the university. This usually requires substituting within a major category [i.e., aeronautical to civil engineering] and is closely monitored to ensure scholarship goals in each of the academic areas are met.) The number of offers in each of the academic areas is entered into the scholarship table (ATCH 2-PCN #9B) using Scholarship

Table Transactions (ATCH 2-PCN #9A). This table establishes the number of scholarships of a given academic major the scholarship assignment program (ATCH 2-NO PCN #) will automatically award.

The last item that must be in place prior to running the Scholarship Awards Program is the Board Rank Cutoff. It's important not to confuse the Board Rank Cutoff with the Quality Cutoff Score previously mentioned. The Board Rank Cutoff stops the automatic scholarship assignment process at the identified board rank. This cutoff acts as a braking system so the Branch Chief can apply the Quality Cutoff Score established by the board. This process is discussed later.

With the panel scores entered in each of the applicant's data file (ATCH 4, record positions 336-344), the number of scholarship offers by academic major and the Board Rank Cutoff loaded, the system will process the Scholarship Awards Program. This program adds the panel members' scores for each applicant that went before the board and rank orders them by panel. The ranking is based on their panel score, a program composite score (a combination CEEB and Class Standing), CEEB composite score, a Class Standing standard score (2: ATCH A7-8) and finally alpha orders by last name (2: para 3-4[b]). The board rank is established by comparing panel ranking. For example, the top ranked individual from three panels would have a board ranking of 1, 2 and 3. The top three are then ranked again by program composite score, CEEB composite score, class standing score and finally by alpha order to determine the Board Rank of first, second and third out of these top three. The second ranking individual from each of the three panels would have board ranks of 4, 5, and 6 and they would be re-ranked among the three of them using the same criteria outlined above. This process continues until each individual has a board rank. Three glaring problems exist with this program. First, if each panel does not score the same number of records, the awards program will skew the results. The second is the program will initially award scholarships to the applicants with disqualifying scores from the board president (they are not disqualified until the fast 9B transaction which will be discussed later) because the computer identifies that board president as a panel and awards scholarships based on board rank rather than score. The third problem is that many individuals with high scores are passed over by the program because the academic major quota available in the Scholarship Table transaction (ATCH 2-PCN #9B) were met in their first and second academic preferences. These last two problems require scholarships to be manually awarded to fill scholarship offers with individuals who have score above the Quality Cutoff Score. This process is done using the Board Rank Roster (ATCH 2-PCN #26E) and the Master Scholarship Award Card (2: ATCH A1-25).

Once the Scholarship Assignment Program runs, the data base cannot be updated until three separate 9B transactions (2: ATCH A1-27) cards are entered in the proper sequence. (NOTE: The exception is board five which only requires the first 9B transaction.) The first transaction disqualifies any applicant receiving a panel score between 165 and 177. The FYSP staff reduces those deferred to the next board by obtaining cards to disqualify applicants at the lower end of the Board Ranks (RRUF 115) scale. Additionally, manual scholarship awards are loaded along with the first transaction. The second transaction defers to the next board anyone not awarded a scholarship or disqualified by the first transaction and RRUF 115. (NOTE: If the inquiry was not used, any applicant with a score of 180 and not awarded a scholarship would be deferred to the next boards, accumulating until they would flood the last board). The third transaction strips panel scores, panel designation, board ranks and board designation allowing for the next board's information to be added to the applicant's file in preparation for the next board's inputs.

After the final 9B transaction, notification letters are prepared for those that met the November board. The individuals identified as winners (RRUF 100) are sent letters of congratulations prepared by the AFROTC word processors. Because systems are not compatible, name and a mailing address must be loaded and checked for each individual. Form letters are sent to those deferred or disqualified by generating a mailing table (ATCH 2-PCN #02A). Additionally, a form letter with detailed instructions is also sent to the winners usually a week after the congratulations letter from the AFROTC Commandant. This mail handling exercise is manageable for the November board as it involves about 2500 letters. During the final board this number can grow to 8,000 letters processed by hand. Even

with elaborate procedures to ensure the wrong form letter is not sent to an individual, the Air Force is embarrassed each board by applicants, parents and occasional Congressmen asking for clarification when an individual gets conflicting notifications or fails to receive any notification at all.

While the letters are being processed by the clerks, the FYSP Branch Chief requests Statistical Packages for the Social Sciences (SPSS) on finalists, selectees, deferrals and those disqualified by the board. Each product provides demographic data (eg., gender, race, GPA, class standing, math and verbal/English and CEEB scores) on the total population, by gender, race and high school military experience (i.e., JROTC and CAP). These statistics are used to brief the AFROTC Registrar and Commandant on the quality of those selected by the board and deferred to the next board. The statistics provide a fair presentation, however, embarrassing "anomalies" occur. This requires high interest cases to be monitored independently and periodic samples of records rescreened because of the limited information available in the computer. Finally, these two-inch products are stored for use in tabulating the Annual Four-Year Scholarship Report (ATCH 13).

Following the board, but prior to all the 9B transactions, the clerk continues to manually enter applicant data and interview information. This information is stored on tape. Once the 9B transactions are completed, the tape along with SAT/ACT information is loaded and the data base updated. The 3 to 4 week backlog of information is forwarded to administrative units (interview requests), detachment of preference rosters, DODMERB (physical examination requirements), and AFROTC Liaison Officer at the USAF Academy (ALO roster). This is also the approximate time frame that the deadline for applications occurs causing an administrative nightmare for the FYSP/NCOIC. Due to the labor intensiveness of the system and being tied to time tables that cannot be altered, the FYSP staff works long hours with few breaks.

One of the additional tasks during this busy period is the trend analysis (ATCH 16) done on a weekly basis throughout a scholarship cycle. It compares the number of individuals in each of the scholarship statuses for the same period the previous year. Though the analysis begins in August, when a significant number of applicants have been loaded in the system, only three groups can be monitored prior to the first scholarship board. After the November board and with the closeout of the application period, the analysis during the latter part of November is monitored very closely.

The final requirement for the previous Air Force scholarship cycle occurs during November. The Equal Opportunity Annual Assessment Report is tabulated during the first part of November and a Synopsis of FSYP is prepared for ATC Headquarters. Once these reports are submitted and the data base is reviewed for accuracy with other AFROTC agencies, then Data Automation creates a historic tape and clears the data file of the previous cycle's data.

During December the deadline for FYSP applications and AFJROTC Guarantee scholarship nominees for the current cycle occur. The deadline for applications for Academic Year (AY) 84-85 required they be postmarked by 15 December. Due to the Christmas mail delay, some applications postmarked 15 December were not received until the first part of January. For this reason the deadline was moved up to the first of December. This new deadline went into effect 1 Dec 1985. The deadline for AFJROTC scholarship nominees was also moved from the 15th of October to the first of December at the request of numerous high school principals that scheduled their students to take their college entrance examinations as seniors rather than juniors, preventing the students from meeting the 15 Oct JROTC deadline. The change in date increased the number of guaranteed scholarships from 87 in 1983 to 133 in 1984. The December workload prevents the FYSP from taking more than a couple of days off during the holiday season. Of the more than 14,000 applicants that applied in 1984, almost 8,000 arrived in a 10 day period surrounding the deadline. Applications postmarked by the deadline date are accepted. Even with limited holiday leaves and countless hours of overtime, in 1984-85 the final application was not updated in the computer until the first week in February. This almost 2 months of processing time was frustrated by the manual entry of applicant information, by Christmas mail delays and by the preparation and processing of the January board results.

In January, the same preparation and data processing required for the November board must be repeated for the January board. Historically, the number of applicant's folders will double from the November board to over 3,000 folders reviewed by 13 board members compared to the seven-member November board. The computer is tied up in the scholarship assignment process from mid-January to approximately the first week in February.

In February AFROTC is trying to tie all the loose ends together. Each clerk reviews all incomplete applications and sends a second notice with a 2-week suspense. The short suspense is designed to keep those still interested in a position to meet the March scholarship board. There are countless reasons that applications are still incomplete more than 45 days after the deadline---for example, many of the schools claimed they sent the transcript but AFROTC never received it, and SAT/ACT results may not have automatically arrived via magnetic tape. Two FYSP administrative problems can make the second notification embarrassing. The first is that the individual was one of the people caught up in the mountain of mail at the deadline and the initial notification was sent out in the latter part of January only to be followed up days later. The other is the applicants who never received the first notification but never thought to inquire when they did not hear from AFROTC and are now upset that they have such a limited amount of time to be considered for the final board. All applicants who didn't meet the application deadline and those who fail to contact FYSP after the second notification of an incomplete application are disqualified and sent a form letter explaining their disqualification. The labor-intensiveness of the system is an embarrassment to AFROTC. An applicant, who waited until the deadline, may experience a 2-month delay between when they applied and their notification that they were disqualified for being a couple of days late.

While the clerks are trying to clear the files of incomplete applications, the administrative units are trying to cope with tidal waves of interviews caused by the applicants waiting until the last minute to apply and the processing time and delays built into the existing system. Many units have complained because of the last minute interviews that inconvenience the applicant and require them to compress the number of interviews to ensure they arrive prior to the board. Further constraints on interview timing are bad weather and mailing time from the unit to the AFROTC Headquarters. Overdue interviews are monitored with RRUF 25 and 67. This process is also labor-intensive, requiring clerks to call administering units or the Area Commandants to obtain the required interviews. In the 1984-85 cycle a supplemental selection board was called to handle almost 1000 applicants who's interviews had not arrived prior to the March board.

In March the FYSP staff repeats the board process for approximately 6,000 applicants. For the March board, 22 officers review applicant's folders. The assignment process is completed in early April. If a supplemental board must be convened, it's usually scheduled for the second week in April. Alternates are selected from the final board. Normally the alternates come from the group that would be deferred to the next board. Once the results from the last board are final, two sets of the Statistical Package for the Social Science (SPSS) are requested. One is for the results of the final board while the other is for the entire year's designees, alternates, nonselectees and finalists. The latter set of SPSS is little more than a bench mark in compiling the annual Air Staff Report (ATCH 14). Because of the dynamic nature of the program, the number of designees offered scholarships after each board and documented on each board's SPSS never matches the yearend totals in the system. Changes in status over the course of the program and limited data in the system require extensive investigative work by the FYSP staff to ensure the spread sheet subtotals (ATCH 14) balance after the last board. The weekly Summary Report (ATCH 2 PCN #17A) is also used extensively in compiling this report.

During the latter part of April and the first part of May, applicants flood the FYSP branch with requests for academic major changes. Some individuals have tried to game the system (putting down majors with the most scholarships available and then requesting a change after being selected for a scholarship), while others are not accepted by their university in the area they planned to study and if they wish to attend that university they must change majors. Clerks are authorized to make changes within groups or requests to change to math or electrical. All other changes are done on a case by case basis by the FYSP Branch Chief reviewing the board's Alpha/Rank Roster (ATCH 2 PCN# 26D/E) to

maintain selection integrity and without exceeding the established goals. The Branch Chief tries to determine if the applicant had the new academic major in the system when the assignment process awarded the scholarship would s/he have received a scholarship. If the individual would, and a scholarship is available, then the change is made. If not, the request is denied.

In May designees and alternates become the focus. The staff begins a concentrated effort to determine who will accept the scholarship and who's medically qualified. Letters are sent to all designees and alternates (RRUF 3 & 10) who have not sent in their Letters of Admission (LOA) and intent cards, reminding them that they will be withdrawn from the program if their LOA is not in the system by the end of May. During the first week in June, the data base is purging those lacking a LOA in their file using RRUF 7 & 21. The first DODMERB magnetic tape generated after the first of June withdraws anyone not having a LOA from DODMERB's active file. The medical clerk begins to monitor medicals more closely to ensure all medical requirements are completed prior to mid-July, when physicals are sent to gaining units. The medical clerk uses inquiries RRUF 5, 6, 14, 15, 16, 36, 37, 39 and 997 to monitor medical status. The same clerk also notifies designees living overseas how AFROTC will pay for their travel to school using a form letter and obtains the required identification information from RRUF 23.

Most of the remaining inquiries (ATCH 7) are used along with recurring programs (ATCH 2) to provide feedback to AFROTC units across the country on everything from recruiting efforts to the range of interview ratings submitted by their unit. They are also used to provide information to various AFROTC offices and agencies for planning purposes and follow-ups as the process prepares to repeat itself with the new scholarship cycle.

2.4 Proposed Methods and Procedures.

The proposed system will use the same 18 month time frame to complete a cycle. The proposed system is a compilation of suggestions accumulated during two meetings with the entire FYSP staff, numerous meetings with the FYSP Branch Chief, Capt Steven Weaver, and his key staff and discussions with 1973 ISG/SVP programmer (Lt John Wandelt).

A scholarship cycle begins in June by loading information from optically read applications and allowing the computer to determine waivers. A new optically read application (ATCH 21) transfers automatically almost everything that is currently contained in DOD 1893 (ATCH 1). The clerk processing the application will annotate the form if the applicant failed to include required documentation (i.e., transcripts, CEEB score sheets, etc.). After the application is scanned and no errors are detected, the application will be filed in a holding area. Application information is written to a scan tape which is read by the Honeywell 6060 and later updates the data base. Some 5000 applications can be read by the IBM 3881 Optical Mark Reader an hour. Individuals not meeting the minimum grade point average or class standing will be automatically granted a waiver if they meet the requirements of the waiver matrix (ATCH 22). Those not granted a waiver will be notified via automatic postcard generation of their ineligibility and the requirements for reconsideration.

When initially processing an application or when a significant change in an applicant's status occurs, a postcard is generated. In some cases more than one card is generated at different intervals to ensure that the information reaches the applicant. The redundancy is designed to counter losses due to the mail or machine malfunction.

Documents not part of the application form (i.e., transcripts, letters of recommendation or SAT/ACT score cards) are filed in a folder. This folder will be discussed in detail later as part of the board's preparation.

The proposed system will generate only two paper products after an update: applications with incomplete information or requiring manual entry and a folder label. All other information will be accessed by on-line inquiries via Zenith 100 (Z-100) micro-computer linked through a Honeywell Level Six processor to the Honeywell 6060. Each clerk will have access to a terminal allowing the clerk to call up individual records by SSAN and name. A general password will be required to access the FYSP data base. Once an applicant's record is selected, the clerk can page through the entire

record. Before a change is made to non-critical fields in a record, a second password which identifies the person making the change is required to allow access to manipulate non-critical data elements (i.e., scholarship status, medical status, etc.). The second password provides a redundancy in security while allowing the Branch Chief and NCOIC to investigate error trends. All changes to an applicant's file will be logged in a journal of transaction and will be identified by the nature of the change, the date and individual who made the change (i.e., clerk or computer program). Only the Branch Chief or his/her designated representative will be able to access the journal and critical data fields using a specific access code that also will identify to the system the person making the change. Multiple record changes will still be made through a batching process at night.

Three statistical files will add to the utility and adaptability of the program. The first statistical package will compile a demographic profile (ATCH 28) with each change in status. The package will combine Summary Reports (ATCH 2-PCN *17A), aspects of the Statistical Package for the Social Sciences and various inquiries to provide a statistical file for various groups by gender, ethnicity, high school military experience, athletics, student government, extra-curricular activity with mean, media, mode, max, min, range and standard deviation for Class Rank, GPA, CEEB, math and English/verbal scores. It will act as the statistics base for all general inquiries. The second statistics file (ATCH 39) will capture data for the Annual Report on AFROTC for the Fiscal Year (ATCH 14). This data will be entered at the completion of the awards program and will remain static (e.g., not changing with changes in the applicant's status). The third statistical file (ATCH 29) combines scholarship award totals with various inquiries so weekly statistics for applicants, finalists and designees by status for the current year and the previous year can be accessed for comparison (ATCH 16) and will add the ability to provide the estimated annual cost for the scholarship offers.

No change to the DODMERB procedures are planned as identified in the previous section. Forwarding information to DODMERB must remain a magnetic tape transfer because the UNIVAC System at the Academy has only magnetic tape input capability. The transfer of data from DODMERB will also remain the same. However, designees and alternates that the Academy purges from the system each July (explained in the previous section) will be loaded on DODMERB Air Force branch's Z-100 hard disk memory. This data base will update the FYSP medical clerk's hard disk memory each night via modem. This will eliminate daily datafax and a notebook with an annotated roster that must be compared to current computer status. Each day the medical clerk can transfer changes from the Z-100 memory to the Honeywell 6060 data base and the reverse will also keep DODMERB current.

The intent card will become an optically read form (ATCH 36). The form will identify if the designee/alternate accepts or not, the academic area in which the school has enrolled the individual and code the specific school s/he will attend from the more than 700 institutions which offers AFROTC (ATCH 37). Allowing for mail delays and processing, those not having LOA information in the system by 15 June will automatically be disqualified in both the FYSP and DODMERB and be notified by letter. This changes the DODMERB program drop date from 1 June to 15 June for those lacking an LOA.

For changes in status that are more than administrative in nature (selections as a winner or alternate, withdrawal of scholarship offer because the individual has not complied with the administration requirements, etc.), a letter generated by the computer will be sent to the individual explaining what the change means and what recourse the individual has. These letters will be automatically folded, stuffed in windowed envelopes that allow the address at the top of the letter to serve as the mailing address and then are sealed. Approximately 2500 letters can be processed and metered an hour. This process eliminates a form letter getting into the wrong envelope, the manual folding and stuffing of envelopes, and the need to complete a separate word processing step in the correspondence cycle. One person can do in a day what it took ten people to do in 3 days with far fewer errors.

Inquiries will consist of selecting the inquiry mode and answering preprogrammed questions with Data Identification Numbers (DIN). With minimum training, any of the FYSP clerks will be able to obtain information from the data base. The current Recipient Alpha Roster (ATCH 2 *19B) will become an inquiry and be transferred via modem to DODMERB by the medical clerk. After the AFROTC

units across the country receive their Z-100s and are linked to the AFROTC Headquarters, programs like the Det of Preference, and Recipient Alpha Roster, can be sent to units through their data link with the headquarters.

During the summer months as applications are being processed, the remaining administrative tasks are completed for the preceding cycle plus requirements for the new cycle. Activation cards will be computer generated and sent to the gaining units. For the new cycle the new Det of Preference Roster will be expanded to hold potentially three units. Notification cards informing applicants that they have met minimum qualifications will be generated by the computer informing applicants of the unit they may contact after mid-September to arrange for their scholarship interview. At the same time the applicant's name and address will be sent to administrative units through a one-part AUAR, sorting applicants by the date the interview was requested. By putting part of the responsibility for arranging the interview on the applicants, it's hoped scheduling problems will be minimized and there will be a better show-rate. SAT and ACT tapes will continue to be added to a cumulative file in the new system. The cumulative SAT/ACT file is then loaded with each update. This will ensure that an early test date and a late application match up. However, for the individual who's taken more than one test, only the highest score will be loaded into an applicant's file. A master file tape will continue to be sent to the AFROTC liaison officer at the USAFA to update information sent ALOs. Telephone coordination for activating alternates will also continue until units receive their Z-100s. Because this on-line capability is 3-5 years in the future, this possibility cannot be discussed as part of this work, however, screen formats will be used during the nation-wide call-ins.

In October the emphasis shifts to processing interviews, providing feedback to Area Commandants on interviews, tabulating the Cadet Profile Scores and the Annual Report on AFROTC for the Fiscal Year. With a table-top optical mark reader, the front of the interview evaluation form is loaded into the hard disk storage of a Z-100 and batched to the Honeywell 6060. The interview is then filed in the applicant's folder and eliminates the applicant from the AUAR. Interviews that have been on the AUAR for 6 weeks will be flagged as overdue on the AUAR and listed as part of an overdue interview inquiry. A new product for the five Area Commandants (ATCH 26) is compiled weekly. It is a cumulative record by detachment listing the number of interviews required, number complete, percentage of each of the five ratings given and the number of delinquent interviews. This product helps the Area Commandant to better manage the interview workload, monitor for inflated ratings, and ensure interviews are completed in a timely manner. When the interview is added to an applicant's data file, the Cadet Profile Score can be tabulated. The formula and values assigned to each area in an applicant's file is currently being studied and compiled as part of another ACSC project. The only requirement that the Profile Score Project makes of this project is ensuring all areas that will be evaluated have recording positions in the applicant's file for the tabulated scores (note spaces provided on DIN Table [ATCH 17])

The expanded data base and Cadet Profile Score provide five services. First, it will provide the AFROTC Commandant with a scale for a more comprehensive assessment of the quality of applicants. Second, it will help the board president maintain consistency by comparing panel scores of individuals with the same Cadet Profile Score (variations will be due to interview remarks and the kinds of course work an applicant's taken in high school). Third, the Cadet Profile Score will significantly enhance the process of determining the Quality Cutoff Point on the final day of the board's deliberation. Fourth, it will allow for pre-screening of board-qualified candidates and eliminating the less qualified---reducing the workload of the board members and FYSP staff. Finally, it will provide a formula for persistence in the AFROTC program that can be altered in years to come to further provide a success factor in scholarship selections.

Due to the new statistical file (ATCH 39) tailored to accumulating the data for the Annual Report on AFROTC for the Fiscal Year (ATCH 14), problems in compiling the report should be minimal. Finalizing the report should be only a matter of formatting the information as part of the word processing capability of the Z-100 and printing on the letter quality printer.

During the September through March time-frame, the proposed system will spread out the three phases of the selection board. To prepare for the board, the computer will generate a control roster of everyone meeting the board, an Applicant Information Sheet for each candidate, and three computer-read score sheets. The control roster will group alphabetically individuals by college entrance examinations (SAT and ACT). This one page list will allow the clerks to group records and then attach the one page document to the top of the stack. The roster will be numbered for ease of reference and aid in locating a specific group or one individual record. A board folder will include the Applicant Information Sheet (ATCH 31), transcript, significant letters of recommendation and interview evaluation forms. The Applicant Information Sheet will display the individual's accomplishments in an easy to read format. The clerk will add three copies of the computer generated optically read scoring sheet to the board folder. The computer will code a score sheet by SSAN and print the applicant's name and identify one sheet for each panel member. After the board members darken in the score, the information will be read back into the computer minimizing the process time and reducing the potential for error.

Pre-Board briefings to the AFROTC Registrar and Commandant will be built from statistical information found in the demographic data file on qualified candidates (ATCH 28) and briefed to the board members on the first day of the board.

The proposed system will impact on the board proceeding, the second phase of the board process, in four ways. First, because of the streamlined and more automated process, weekly or mini-boards can be convened as soon as significant records are available for review. This accelerates AFROTC's ability to offer the more qualified applicants scholarships, allowing them more time to plan, reducing the workload associated with large selection boards (reviewing some 6,000 records) and eliminating those deferred from board to board only to be given an alternate scholarship. Second, as previously mentioned, the board president will have available a diagnostic tool that will highlight potential inconsistencies between two similar candidates through the Cadet Profile Score. Rather than the random spot check currently used, the new system will pinpoint potential panel inconsistencies. Third, the optically read sheet will streamline the processing of scores while enhancing feedback to the board president on the panel members' use of the total range of scores. Finally, determining the "Quality Cutoff Score" becomes a matter of computing the percentage of scholarships that will be offered and matching it to a rank order of Cadet Profile Scores and then translating this score into the comparison panel scores. A sample of applicant's records at each of these panel scores will be reviewed and then adjusted until the board agrees that applicants at that quality point should be offered scholarships. Determining the percentage of scholarship offers and the adjustment process for board agreement will be similar to the process currently used.

The greatest change in the board process the proposed system will make is in the final phase, scholarship awards. The scholarship awards program will allow more flexibility and consider more than just board score and academic preference in the awards process. The new awards program will have the possibility of processing the program 24 times compared to the five times with the current program. The awards program will also select winners and alternates using a board rank for a number of applicant categories. The new program will rank order applicants by board rank (ATCH 34) and include most of the information currently on the Board Rank Roster (ATCH 2-PCN #26E). Individuals scored by the board president will be ranked by score rather than considered as a separate panel, thus removing them from the scholarship selection area of the list. After reviewing this roster, the Branch Chief will establish board rank cutoff for academic categories, gender and race (ATCH 44). The selection or deletion of scholarships can be repeated until scholarship goals are met. Then those not selected, depending on the quality and needs of the Air Force, can be designated as alternates or dropped from further consideration. The final step will update the Demographic File (ATCH 28) and the Annual Report Statistical File (ATCH 39) and provide a statistical summary of the board proceedings (ATCH 33). This statistical information will be used to brief the AFROTC Commandant on the outcome of the board.

The notification of those selected as designees or alternates and those dropped from further consideration would be done using form letters addressed by the computer with the exceptions of the congratulatory letters from the AFROTC Commandant which will be word-processed using a mail merge system. The remainder of the selection cycle will basically repeat the above process.

The last process prior to preparation for repeating the cycle will be to remind alternates that if a Letter of Admission and the information from the optically scanned intent form (ATCH 36) is not on file as of the end of April, the deadline is May 31. This will be done by using a computer-generated postcard mailed on May 1st and the process will be repeated approximately 10 days later to ensure the first card was not lost in the mail. If the intent card was lost, the postcard will identify the information that must be included when the Letter of Admission is returned accepting the scholarship or alternate status. Once all intent card information is entered, a cost report will be available as a tool to estimate the cost for the upcoming academic year.

A Proposed Flow Chart (ATCH 18), Proposed Data System (ATCH 19) and Proposed Office System (ATCH 20) provide a simplified model of the proposed system.

2.4.1 Summary of Improvements.

The proposed system is intended to simplify and accelerate data processing, significantly reduce the reliance on paper products and the labor intensity of the current system; and consolidate information which will enhance management capability and ultimately reduce scholarship costs while being more responsive to the needs of the applicant and high level inquiries. Optically read applications will standardize data provided by the applicant (i.e., though GPA was requested based on a 4.0 scale some applicants provided averages based on a 5.0 or 8.0 scale or a percentage) by limiting the coding options. Loading the application can be accomplished by minimally skilled over-hires, freeing the scholarship clerks to more effectively manage their files. The enhanced data entry system could potentially save thousands of hours by eliminating keyed entries, loading in approximately 10 hours what formerly took four people approximately 35 days to load (based on the 84-85 scholarship cycle). With the new application, manual screening for GPA or class standing waivers can also be accomplished by the computer. A waiver will be based on a waiver matrix (ATCH 22). GPA below 2.0 will be flagged so clerks can review the individual's transcript to determine if s/he has failed any core courses. Only minimal prescreening (i.e., pages not stapled together, torn pages, etc) will be required before applicants' data is loaded, potentially saving hundreds of manhours currently involved in the waiver process. Currently some 4,000 records are reviewed for waivers. The reliance on six inch thick paper products (alpha rosters) will be eliminated by providing all critical information from an individual's data file to a staff member on the Z-100 screen. Computer-generated correspondence further reduces the need for paper products used to crosscheck outgoing correspondence while eliminating the possibility of human error, accelerating the process, providing enhanced feedback to the applicants in a far more timely manner and expanding information provided which should significantly reduce telephone inquiries by applicants and their parents.

On-line inquiries will also reduce the need for elaborate paper products because the inquiries can be tailored to specific requirements and because its real time capability eliminates the need to run inquiries periodically just to have something on file for questions that require an "immediate" answer. They will also eliminate the lengthy delays between the request for information and the actual product (eg., 4 hours to the following days). The same is true of statistical information. Rather than running a product with every update, the information can be queried from the computer as it's needed. With the addition of computer-generated/optically read score sheets, hundreds of hours of processing and verifying board scores can be eliminated because in effect the board member enters his/her score directly into the applicant's data file. The computer-generated Applicant Information Sheet will reduce the paper shuffling during the board by consolidating five sheets of paper into one. The optically read interview and intent form will further reduce the manual entry of information while

to expand the information available in the data base and to more effectively manage the data and the scholarship funds. It will also allow the Branch Chief to more systematically project and manage scholarship offers/activations and minimize the guess work in predicting who will "show-up at school." The system will allow the staff to manage the system rather than become so embroiled in the intensity of processing information that they can only react to problems.

As stated in the introductory paragraphs outlining the proposed system, the same 18 month time frame will be required in the proposed system that the current system requires. This is primarily due to the scholarship cycle being tied to the academic year (i.e., start of classes) and the time table of outside agencies (i.e., ACT & SAT testing cycle and DODMERB scheduling physical exams) the internal-time constraints will be eased because labor intensive activities during existing bottlenecks will be eliminated or significantly reduced.

2.4.2 Summary of Impact.

The following paragraphs outline the expected impact on equipment, software, organization, operation and the development of the proposed system.

2.4.2.1 Equipment Impact.

The basic hardware requirements (i.e., IBM 3881 Optical Mark Reader, Pitney-Bowes folder and stuffer, and the Honeywell 6060) are currently in place. The proposed system will be "phased in" as the current system is phased out. The only change in Honeywell usage will be the addition of permanent access to storage for the on-line capability (see para. 3.4). Lt John Wandelt, Chief Programmer for 1973 ISG/SVP and his chief, Mr. Earl Heath, are studying this possibility and will brief AFROTC on permanent access once all the information is available. Seven Z-100 terminals are in place but are awaiting installation. The Level Six and the table-top optical mark reader for the interview form have been ordered. The IBM 3881 OMR processes 5000 forms an hour and current use will easily absorb the annual requirement of 75,000 application forms (five pages to each of the 15,000 applications) and 30,000 scoring sheets (three scoring sheets for approximately 10,000 board qualified applicants) according to Mr. Heath.

2.4.2.2. Software Impact.

Because the existing system is designed around a sequential data base which does not facilitate on-line access, a new data base must be developed along with all new programs for the proposed system. Mr. Heath has agreed to develop the new system, including writing the new software. He indicated that this functional description will be the basis from which his staff will work.

2.4.2.3. Organizational Impact.

There will be no changes to the manpower authorization in the FYSP Branch with the proposed system. The personnel savings will be the reduction in over-hire requirements. By spreading out the selection boards and significantly reducing the manual entry of data, it's estimated that four positions filled for a 6 month period could be reduced to two individuals for the 6 week period just prior to and the month following the December 1st deadline.

2.4.2.4. Operational Impact.

The bulk of the processing in the proposed system will be very similar to the current system with information being loaded to tape and then transferred to the Honeywell 6060 at night. The computer center at Air University will note a sharp decrease in paper products. The new system will only require paper products for historical reference or for annotated records. Many of these paper products will only be a couple of pages in length and will be printed on "in-house" printers.

The majority of the changes will fall within the FYSP branch. The following clerical operations will be reduced or eliminated: Keying applicant information and board scores, folding and stuffing

envelopes by hand, manually reviewing folders for waiver consideration, referencing computer products and applicant's folders for information, requesting inquiries a day in advance to ensure availability and annotating mail-back postcards. After AFROTC/SI completes training of the FYSP staff on the Z-100 terminal, the staff will query the computer for real-time information rather than requesting the information and then telephoning the interested party with the information. Optically scanned forms will be the primary data entry method. The computer will generate and address all correspondence and the folder/stuffer will eliminate the manual requirements of preparing outgoing mail. The enhanced statistical files and Cadet Profile Score will allow the Branch Chief to better manage the scholarship program while providing more comprehensive and accurate information to required agencies. Password identification signature and minimizing manual entries will provide a more secure system while significantly reducing the chances for costly and embarrassing errors. The proposed system will allow for more streamlined board proceedings--far more often. This will reduce the size of the boards and associated problems with arranging for rooms, transportation, computer support, etc. The proposed system will continue to interface with DODMERB and the AFROTC Liaison at the USAF Academy in the same manner as the current system. The proposed scholarship selection process will consider more variables and allow the system to be more responsive to the changing Air Force needs.

Because several layers of redundancy were initially built into the system 17 years ago due to a lack of system reliability, storage space should not be a factor and processing time should greatly be reduced with the proposed system.

2.4.2.5. Development Impacts.

The proposed system can only be introduced at the start of the scholarship cycle because of the cumulative nature of the program. However, the uses of the new forms and the modification of existing procedures could cautiously be injected into the existing system to test aspects of the proposed system. These tests should be limited to peripheral aspects of the system (i.e., a program to read the optically scanned application to tape) to minimize doubling the programming load because of the incompatibility between the existing and proposed systems. Parallel operations of the proposed and existing systems will occur during the initial phases of the proposed system until the previous year's administrative requirements are completed (i.e., June through December time frame)

Section 3. DETAILED CHARACTERISTICS

3.1 Specific Performance Requirements

The proposed system will link the seven FYSP Z-100s by on-line access to the Honeywell 6060 at Gunter AFS. An optically scanned application (ATCH 21) will be read to tape and fed into the Honeywell data base. Based on minimum qualifications for nominee status or waiver criteria (ATCH 22), a nominee will be listed on the weekly Administration Detachment Unit Roster (ATCH 23) and at the same time a postcard will be generated notifying the applicant that s/he has initially qualified and now must contact the identified AFROTC unit for a personal interview (ATCH 25). This begins the Scholarship Cycle (ATCH 24). If the nominee meets the criteria for the initial medical selection (ATCH 22), basic information is formatted to tape as part of the weekly input product to DODMERB (ATCH 5). If the applicant failed to return all parts of the application, a transcript or CEEB score, he/she will be in incomplete status (I) and a postcard (ATCH 25) will be generated identifying the missing item to the applicant and generate an error roster for the clerk. If the applicant provided the required information but failed to meet qualification standards, a disqualification code (ATCH 3) will be entered in the data record, s/he will be released from further consideration (D status) and notified by postcard.

The proposed system will be able to access individual records and display the record or manipulate data through a "user-friendly" inquiry process. The inquiry will use the Data Identification Numbering Table (ATCH 17) to respond to programmed questions that will appear on the screen in the

inquiry mode. To protect access to the system there will be three levels of security: simple access, non-critical data alteration and critical data alteration which will be described in paragraph 3.2.

Input tapes, batched interview information stored on Z-100 hard disk, changes initiated from the Z-100 and menu requirements will run at night. DODMERB (ATCH 6), SAT (ATCH 11) and A.I. (ATCH 12) input tapes will update the data base the night they arrive. Interviews optically read in the FYSP branch will be loaded to Z-100 hard disk and transferred to the Honeywell after duty hours. All transactions initiated at the Z-100 terminal, that will make multiple record changes, will be stored and accomplished after duty hours along with any menu requirements.

In addition to the weekly DODMERB input tape, a weekly copy of the data base will be sent via tape to the AFROTC Liaison Office at the USAF Academy. Also an Interview Status Report (ISR) and the ADCO Recruiting rosters (ATCH 26) will be run each week. The ISR will be run each week from mid-October until all interviews are received and the two rosters will be run from mid-September until mid-May. For administrative purposes, the country is divided into areas, then further subdivided into ADCO areas and then further subdivided into administrative units for interviewing. Applicants' Zip Codes (ATCH 27) are used to assign them to an area, ADCO and administration unit.

Three "statuses" (Z, *, and W) can occur at any point in the scholarship process. An applicant can be manually put in "Z status" to purge incorrect or no-longer-needed data from the file (e.g., death of applicant, fictitious application, etc.). An asterisk can be added to any status manually and takes precedence over a W in the same record position. The asterisk allows the applicant's record to be updated but prevents any computer-generated correspondence until the asterisk is removed from the record. Waiver (W) status puts an applicant in medical "limbo" and is added to a person's current status. A medical "disqualification code" 225 from the DODMERB tape causes W to be added to the status. The record of an applicant awaiting a medical waiver continues to be updated including changes in current status. An applicant loses the "W" with a medical disqualification code 248, totally disqualifying the applicant ("M" status) or medically qualifying the applicant (record positions 217-218 [ATCH 6]).

Once the interview data is in the applicant's record, the Cadet Profile Program is run. (This process is being developed by another ACSC student and will be submitted separately for incorporation into this system). A minimum Cadet Profile Score is maintained in the Standards File (ATCH 22). Once a Cadet's Profile Score (CPS) is computed, each applicant's score is compared to the minimum CPS. If the applicant's score is less than the minimum, the applicant is released from further consideration and notified by postcard. If the applicant's score is above the minimum, s/he becomes a candidate ("C" status) for the next selection board.

Demographic (ATCH 28) and Statistical (ATCH 29) files will update with status or scholarship changes. The Demographic File is initially established with the processing of applications. As an applicant's status changes, the Demographic file is updated to reflect the demographic profile of the pool of applicants identified by a specific status code. The Demographic file also contains the profile of the total applicant population. The statistical file provides the numbers required on a daily basis to manage the FYSP program and provides a comparison with last year's numbers for the same week in the scholarship cycle. These files are used to brief the AFROTC Commander and Registrar prior to a board and board members at the start of the board and to respond to high level inquiries.

A selection board will consist of three phases: pre-, during, and post-board processes. Prior to a board, Records Control Roster (ATCH 30) is run to group all candidates by ACT/SAT. This roster is used by the clerks to "pull" folders. The Applicant Information Sheet (ATCH 31) and three scoring sheets (ATCH 32) are added to the folder. The folders are then stacked with the control roster on top as a way of controlling the stack of records during the review process. After the member has completed the scoring sheet, it's optically read and the information is entered into the applicant's record. Three reports are also generated. The member's point spread and board point spread report (ATCH 33) are used for trend analysis. The Board Rank (ATCH 34) and Alpha Rosters (ATCH 35) are tools used by the Branch Chief to establish the Board Rank cutoff for each academic area and specifically identified

groups (i.e., females, pilot qualified applicants, etc.) in selecting tentative designees (T status). The Branch Chief will also have the capability to establish Board Rank cutoffs for alternates (L status) by the same categories as those selected for a scholarship. Those not selected as designees or alternates are disqualified (D status). If the Branch Chief wants to withhold notification pending a change of status (board re-review because significant information was received after the record was scored but prior to the computer generating a notification letter), s/he simply adds an asterisk to the status code. The asterisk is left in the system until a decision is made on the status question. Then the asterisk is manually removed. The computer then generates any required correspondence.

A medically qualified applicant selected as a designee or alternate is coded differently. When the output tape from DODMERB (ATCH 6) has a 1 (pilot), 2 (navigator), or 3 (commission) qualification code in record position 217 or a W in position 218, this information is added to the medical status position in the applicant's data record. If the applicant has not been selected by a scholarship board, this information has no impact on the applicant's status. If the applicant is a designee and medically qualified, s/he is changed to Q (qualified) status. If an alternate, the applicant's status becomes U (unknown) pending the applicant's acceptance of the alternate offer.

The intent form (ATCH 36) changes the status code of most applicants for the last time. Designees who accept the scholarship become selectees (S) and alternates that accept are coded "A". Those designees who do not return the statement of intent card by the deadline identified in the Standards File (ATCH 22) are disqualified (D). Alternates (A) and selectees (S) who enroll at one of the military academies will also be disqualified. In the latter part of June or early July, FYSP will request that all medically qualified selectees' and alternates' certifying physicals be sent to their AFROTC unit using a recipient alpha list (ATCH 38) transferred to the Z-100 and modemed to DODMERB. Designees and alternates still lacking medical information will be monitored using the Medical Data Inquiry and Update (ATCH 46) which will be modemed between FYSP and DODMERB. At the same time a computer-generated authorization card (ATCH 25) will be generated for all selectees and sent to their AFROTC units. In mid-September and mid-October selectees and alternates will be grouped by AFROTC units for the nation-wide call-in (FYSP Call-in Inquiry/Update - ATCH 38). Two weeks prior to the call-in the Inquiry/Update will be printed and forwarded to the respective unit. The units will verify which selectees and alternates are present and any variation to what information the computer currently shows on each individual during the call-in.

After the annual report is completed in November using the Fix Statistical File (ATCH 39), the scholarship file will be transferred to magnetic tape for historical purposes.

3.1.1 Accuracy and Validity.

- a. Mathematical calculation to the nearest 100th will be sufficiently accurate.
- b. At any point in time the data base should reflect current status of all applicants
- c. All transmitted data should be 100 percent accurate.

3.1.2 Timing.

- a. Throughput time from receipt of application to board decision is 8 weeks (including the 5 weeks allowing unit receipt, evaluation and return of personal interview)
- b. Response time to queries of record by SSAN (5 seconds), sorted by individual detail item (30 seconds) and involving calculations (60 seconds).
- c. Response time of the following major functions is overnight
 - Applications optically read and entered into data base.
 - Interview information transferred to data base from Z-100 hard disk.
 - computer-generated postcards and addressed form letters.
 - computer-generated Applicant Information Sheets and score sheets
 - Score sheets optically read, entered into data base, and breakdown of results.
 - Scholarship selections
 - Intent form optically read and entered into data base.
 - Generation of Academy Liaison and DODMERB magnetic tape

- d. The following is the sequential relationship of major functions.
- Receipt and processing of application.
 - Qualified applicants' interviews and physicals requested.
 - Interviews received and processed.
 - Cadet Profile Score tabulated and board qualified applicant identified.
 - Qualified applicants' folders prepared for board.
 - Board review.
 - Board scores processed.
 - Scholarship selections, alternates, disqualifications determined.
 - Physical results received and processed.
 - Statement of intent received and processed.
 - Letters of Authorization sent to units.
- e. Only two peak periods exist during a scholarship cycle:
- (1) Application deadline (1 December) - the week prior and the week after. Approximately 8,000 applications arrive. The IBM 3881 can easily process the 6-page application in approximately 10 machine hours (5,000 documents/hour).
 - (2) Conducting weekly boards should minimize the size of the larger multi-panel boards to one or two which will review not more than 4,000 records. For this board the 4,000 Applicant Information Sheets and 12,000 scoring sheets can easily be prepared overnight and the filled-in optically read scoring sheets processed by the IBM 3881 in less than 2.5 hours (5,000 documents/hour).
- f. All programs will be run during all non-duty hours allowing on-line access so clerks can answer telephone inquiries. Accessing a record will have priority over manipulative inquiries. Inquiries will pause and identify the record that the program needs to read and resume when the record's returned.

3.2 System Functions.

As application forms are optically scanned, the pages are numbered. The information is processed by the Honeywell 6060 which checks for duplicate SSANs, invalid information (duplicate entries in the same area for a given year) and missing information. The Honeywell will not record duplicate SSANs or invalid information, but will identify the form by number that provided the input as well as forms with incomplete information (i.e., three out of four data items completed) on an error roster and flag applications with information in non-scannable fields. A similar error report will be generated from all optically read information.

The system will continue to produce labels (ATCH 40) on a limited scale. A folder label is generated only when a SSAN is initially loaded. The only information on this label is the applicant's last name, first name, middle initial and SSAN. A mailing label is generated as required for bulk mailing (i.e., brochures, forms' pockets, etc.) and will consist of the applicant's name (first, MI, last), status in parentheses after the individual's last name, street, city, state and zip code.

Each night all input tapes will update the FYSP data base (see Input/Output para. for list). Prior to loading the tapes, a master tape is run as a back-up for all manual transactions that occurred that day. If the system goes down the following day, a restart will consist of loading the master file tape of the previous day along with any input tapes loaded the previous night.

The system will automatically generate output products (see Input/Output para.). Postcard generation occurs each night based on the criteria for generation (ATCH 25) and the dates located in the Standards File (ATCH 22). DODMERB input (an input tape to DODMERB is an output tape from FYSP), the copy of the FYSP data base sent to the AFROTC Liaison Office at the USAF Academy, interview requests from units, interview status to Area Commandant reports will be generated every 7 days. The weekly products will begin about the first of September and continue until they are no

longer required (start and stop dates for the automatic generation cycle is done by the FYSP/NCOIC through the electronic menu)

The electronic menu (ATCH 40) also allows the FYSP staff to request products from or provide direct inputs to the FYSP monitor. The menu will include a listing of as needed products plus a remark section that allows for comments that can be transferred to the computer floor for later reference (e.g., instructions to the operator: run program XXXXX then load preprinted form letters for addressing).

As CEEB tapes (SAT/ACT) arrive, they are loaded in the system that night. The information from the tape is loaded to a CEEB master which provides a cumulative record that is run after a new applicant is added to the data base. Only the highest score is maintained in the applicant's record. If a new score increases the existing score recorded in the applicant's record, the information is loaded over the existing score and the old score and new score, along with the applicant's SSAN and name, are printed out on the information portion of the error report.

Interview data will trigger a number of system processes. Once the information is transferred from the Z-100 hard disk to the Honeywell 6060, the information is loaded to the applicant's record. The information also updates the Cumulative Statistical File (ATCH 29), removes the individual's name from the Administrative Unit Action Roster, updates the Interview Status File used to generate the Interview Status Report to Area Commandants (ATCH 26). Once the interview rating is in the applicant's record, the Cadet Profile Score Program can be run to determine if the individual is eligible to meet a board. Those eligible to meet the board are coded "C" status and the others are disqualified from further consideration.

The FYSP staff will have on-line access to the FYSP data base. A staff member will access a record by SSAN or name using a general password and then page through the record (ATCH 41) until needed information is found. When information is needed on a group of individuals, the clerk will use the inquiry mode (ATCH 42) select the information required from the DIN table (ATCH 17) and format the information using the step-by-step questions that appear on the screen. Once the inquiry is complete the information may be displayed on the screen, printed on one of the in-house printers or a high-speed printer at the computer center. The general password mentioned earlier to access the system can be changed quarterly or sooner if compromise is suspected. This will allow agencies in AFROTC Headquarters needing information (i.e., FYSP clerks, Junior operation, Recruiting Division and the Selections Division Chief) easy access to the FYSP data base to review individual records and make inquiries. Once the FYSP data base is accessed, the system will allow FYSP clerks to enter a non-critical change mode through a clerk specific password. It will be the clerks' responsibility to clear the terminal of his/her identifying password or all changes will be logged against that clerk in the Journalization File (ATCH 47). A built in safeguard will erase the capability to make non-critical changes after 10 minutes of no activity. This will prevent a clerk who failed to clear a terminal from allowing unlimited access to the system. By entering the non-critical change mode, a clerk might add to a record from non-scanned areas of an application flagged by the computer, manually key CEEB scores from submitted documentation or change basic information based on a telephone call. The third level of access will allow changes to critical fields (i.e., Board scores, Scholarship status, alternate rank, etc.) individually or to groups of applicants identified by a specific item. This ability is reserved for the key staff (i.e., FYSP Branch Chief, Assistant Branch Chief and the NCOIC). The Branch Chief will be the only one who can change the Standards File. All changes are logged in a journal file and sorted by the type of changes and the individuals making changes. The journal file can be accessed only by a password identifying a key staff member and once reviewed can be printed and/or purged. The Journal File (ATCH 47) identifies the record change by SSAN, name of applicant, the change made, the date of the change and the person making the change. The journal review is designed to be accomplished every 7 days, but has space for 10 days worth of transactions.

All correspondence with the applicant and AFROTC units of a routine nature and all selection board products will be computer-generated. A computer-generated postcard (ATCH 25) will keep the

applicant aware of his/her status and any actions required of them (i.e., contact unit for interview, return statement of intent, etc.). Communications requiring more detailed information (i.e., requirement to use a scholarship, what alternate status means, etc.) will be done by form letters addressed by the computer (example ATCH 43). Selected letters will be done on letter quality printers in the branch. The letter will be entered on the Z-100, and through a mail merge system access the FYSP data base to identify applicants and provide specific data to complete the letter. During board preparation, demographic inquiries will provide statistics for board qualified applicants (ATCH 28). An Applicant Information Sheet (ATCH 31) and three score sheets (ATCH 32) will be generated. Qualified applicants' inquiries will be grouped by SAT or ACT results so clerks can prepare board folders.

During the board process, the system will take over many of the manual tasks currently done by the staff. The computer-generated scoring sheets, once marked, will be optically read. The scores are entered in individual records used to generate feedback to the board (i.e., cumulative and daily board and member point spreads, board rank and alpha rosters). The most significant advancement will be the heightened quality control the board president will assure through the Cadet Profile Score. As a product of the board score, the Board Ranking Roster will rank those reviewed by the board in the same way as the current system; however, it will compare individuals with the same board score who have a significant difference in their Cadet Profile Score. (The exact difference cannot be included as part of this package and must be submitted later as part of the merging of the ACSC project establishing the Cadet Profile Program.) When a disparity between the board score and Cadet Profile Score occurs (i.e., 200 points higher or lower than others with the same board score), that board score will be flagged on the Board Rank Roster allowing that record to be reviewed by the Board President for consistency. Another change the proposed system will provide is in awarding scholarships. After rank ordering those meeting the board, the rank order will be used to identify winners. Using the Board Rank Roster, the Branch Chief will access the Awards Program (ATCH 44) and, based on Air Force needs, identify the board rank of any category identified on the Board Rank Roster (i.e., type of scholarship, medical qualification, ethnic group, gender, etc.) This data produces an updated Board Rank Roster which the Branch Chief compares to his working copy. The Statistical File is also updated allowing the Branch Chief to compare Air Force needs with the scholarships awarded by kind. Alternates can also be identified using the Awards Program.

Once the Awards Program (ATCH 44) is initiated by the Branch Chief, all inputs to the system will go to a file until the Branch Chief is satisfied with the outcome of the awards. By closing-out the awards for a specific board, the data from the Awards Program will be forwarded to the Fix Statistical File (FSF). When the statistics in the FSF (ATCH 39) are updated, the input data on file will update the data base automatically.

Using the Z-100s as word processors, the proposed system will allow for printing letter quality personalized letters. Using a group inquiry, a selected group of individuals will be identified along with selected information (i.e., mailing address, first name, type of scholarship, etc.) and mail merged with letters stored on the Z-100.

Each week the applicants' status (ATCH 29) will be sent to a file and the time period it represents identified. This file will be used during the following year's cycle for comparison purposes as part of the FYSP Applicant Status part of the Statistical File.

The intent form will identify the school the applicant will attend (ATCH 37). The computer will send an activation postcard to the parent unit in mid-July. At approximately the same time, the AFROTC Cadet Personnel System will transfer selected information on all designees and alternates into its system using the NA079G07 program. Prior to this transfer, the Applicant's Federal Interagency Committee on Education Identification Code (FICE Code) will be added to each applicant's record by merging the Colleges and Universities Affiliated with AFROTC codes (ATCH 37) and the FICE Code Table (ATCH 45). The cost per semester will also be added to the record from the same FICE table. The cost per semester in this table is updated annually in May with the estimated cost for the upcoming year.

This data is used to estimate the cost of scholarships after the September and October nation-wide call-in.

3.3 Inputs/Outputs.

a. Inputs

- Z-100 Screen Formats
 - Individual change (e.g., FYSP Record Inquiry - ATCH 41)
 - Batched changes (e.g., "I" status after 15 Feb converting to "D" status - ATCH 22)
 - Awards Program (ATCH 44)
- Scan Documents
 - Application (ATCH 21)
 - Completed Score Sheets (ATCH 32)
 - Intent Form (ATCH 36)
- Magnetic Tape
 - Output Tape from DODMERB (ATCH 6)
 - SAT Tape (ATCH 11)
 - ACT Tape (ATCH 12)
- Tables/Files
 - FICE (ATCH 45)
 - Translates Intent Form data to data used by Cadet Personnel System.
 - Provides estimated cost per semester.
 - Zip Code (ATCH 27)
 - Admin Unit
 - ADCO Area
 - Area Commandant
 - Standards File (ATCH 22)
 - Provides variables and dates system uses to evaluate applicants and take required actions.

b. Outputs

- Labels (ATCH 40)
- Postcards (ATCH 25)
- Letters
 - Form (ATCH 43)
 - Personalized by use of Mail Merge Program and Data File
- Reports
 - Administrative Unit Action Report (ATCH 25)
 - Interview Status Report (ATCH 26)
 - ADCO Report (ATCH 26)
 - Error/Information Report from OMR Tape Input
 - Board Rank and Alpha Reports (ATCH 34 & 35)
 - Record Control Roster (ATCH 30)
 - Board/ Member Point Spread (ATCH 33)
 - Unit of Preference (ATCH 49)
- Inquiries
 - FYSP Record Inquiry (ATCH 41)
 - FYSP Inquiry Mode (ATCH 42)
 - Selective Inquiry System (SIS) for complex one-time statistical requirements (AFM 171-174)

- Z-100 Screens
 - Recipient Alpha List (ATCH 38)
 - FYSP Call-in Inquiry/Update (ATCH 38)
 - Journal (ATCH 47)
 - Electronic Menu (ATCH 48)
 - Medical Status Inquiry/Update (ATCH 46)
- Magnetic Tapes
 - Input Tape to DODMERB (ATCH 5)
 - Copy of FYSP Data Base to USAFA Liaison Officer
- Files
 - Demographic File (ATCH 28)
 - Cumulative Statistical File (ATCH 29)
 - Fix Statistical File (ATCH 39)

3.4 Data Characteristics

The proposed system's data is similar to the current system's with the following exceptions. The proposed system will require permanent disc space (perm-space) on the Honeywell 6060 rather than a discpack to ensure continuous on-line access. The number of applications has remained constant for the last three cycles (initiatives underway by the AFROTC Recruiting Division intended to increase the number of applications while increasing the quality of the applicant pool) at approximately 100,000 applications and no growth in the size of the total data base is expected. Specific data information identified at ATCH 50 doubles the existing record size. The required tables and reference files are identified in the preceding paragraphs.

3.5 Failure Contingencies

a. Backup. Each night a copy of the FYSP data base will be transferred to magnetic tape. As on-line changes are made, updating the data base, the same change is recorded in a separate data file. The last 3 days' backup tapes will be stored in case restoration of the data base is required. After the "backup" tape for a period of time is cycled out of storage, that portion of the file can be purged. If the system goes down prior to the making of a backup tape, the preceding night's backup tape will be loaded and the file used to update the data.

b. Fallback. If the system remains down for an extended period of time, clerks would file the application in the folder and manually record changes on the inside of the folder until the system could be restored. In the case of a catastrophic occurrence (i.e., fire in the Honeywell 6060), the Z-100 could be pressed into a limited data processing capability using their 10 megabyte hard disc memory.

c. Restart. The last three copies of the FYSP data base will be stored along with the daily on-line transactions in a separate file to ensure effective and efficient recovery from a temporary problem with the system.

Section 4. ENVIRONMENT.

4.1 Equipment Environment.

a. Processors:

- Level VI front end communication processor
- MIU (VIPA H 7705) will allow seven Z-100 microcomputers to act as 7705 Honeywell terminals.

b. Storage Media:

- Z-100 ten-megabyte hard disk memory plus 320K floppy disk.
- Magnetic tape from IBM Optical Mark Reader and Honeywell mainframe.
- Microfisch
- Permanent disc space on the Honeywell.

c. Output Devices:

- High speed/Large volume - large-carriage dot matrix printers on the computer floors at Gunter AFS and Maxwell AFB
- Two large-carriage dot matrix printers in the FYSP Branch.
- Two letter quality printers in the FYSP Branch.

d. Input Devices:

- IBM 3881 Optical Mark Reader.
- Sentry 3000 Optical Mark Reader.
- Magnetic tape.
- Modems
- Z-100 terminals.

e. Communication Net:

- The existing communications net that currently links the Z-100 terminals through the MIU and Level VI to the Honeywell 6060 will be used for the proposed system

4.2 Support Software Environment

Software must be compatible with Standard ANSI Cobol 74. Additionally, the Honeywell Data Management-IV system, Compaq file transfer system and 7705 VIP emulator package will interact in the proposed system.

4.3 Interface

- DODMERB and copies of FYSP data base mailed to the USAF Academy must be transliterated to be acceptable to the Academy's UNIVAC computer.
- Program NA079607 transfers information from the FYSP data base to the AFROTC Cadet Personnel System (SPS) data base each August.
- The Medical Status Inquiry/Update will be modemed via standard autovon telecommunication line.

4.4 Security and Privacy

The proposed data base contains no classified material requiring protection in the interest of national defense or foreign policy. It does contain information subject to the Privacy Act and the Privacy Act statement must appear on all output products. To prevent unauthorized disclosure and data manipulation, the proposed system must be equipped with a two-level security system. A general password will allow access to the system for inquiry purposes. A second password unique to the user will allow changes to non-critical fields and identify the operator for journalization purposes. Seven non-critical passwords must be available at any given time. The capability to periodically change these passwords must exist. Two levels of passwords are required for critical fields. The passwords identifying the Branch Chief will allow access to all fields including changing components of the Standards File and the Awards Program. The password identifying the FYSP/NCOIC and Assistant Branch Chief can access all critical fields except the Standards File and Awards Program (i.e., manually awarding scholarships, accessing the journal, etc.).

Section 5: COST FACTORS

The development of the software for the proposed system will optimize the use of existing hardware (ISRD 85-1) and forms already in place. The Sentry 3000 Optical Mark Reader is currently part of an as yet unnumbered Information System Requirement Document (ISRD). Expected costs for the Sentry 3000 OMR is \$5,800, and approval is expected because it will allow the automation of data entry from the existing joint USAF Academy/AFROTC Interview Evaluation Form.

This will reduce the manhours currently required to key the information while allowing for more timely processing of the information.

Section 6. SYSTEM DEVELOPMENT PLAN.

The development and implementation of the proposed plan will be in an incremented approach.

- PHASE I: June 1986 - The programs will be completed to read the applications to a file, edit the data and provide an error report. The programs then will select off compatible information from this file read into the existing applicant record format. The postcard program will also be in place.
- PHASE II: September 1986 - A program will select current information from the existing data base and demographic data from the application file so that the Applicant Information Sheet can be produced. The computer-generated scoring sheet program will be in place along with the program to address form letters.
- PHASE III: January 1987 - System Specifications will be completed and priority for future programs determined.
- PHASE IV: June 87-June 88 - Batch programs will be written, tested and released for use once new data base is established. On-line-read capability to access data base.
- PHASE V: June 88-June 89 - Phasing of on-line access.
- PHASE VI: January 1990 - Final testing complete and system totally operational.

BIBLIOGRAPHY

REFERENCES CITED

1. US Department of the Air Force. Air Force ROTC (RRFA). Administration of Senior Air Force ROTC Cadets. AFROTCR 45-10. Maxwell AFB, AL, 15 June 1985.
2. US Department of the Air Force. Air Force ROTC (RRUF). Air Force ROTC Four-Year Scholarship User's Support Manual. DACI 171-68, Volume II. Maxwell AFB, AL, 15 June 1981.
3. US Department of the Air Force. Air Force ROTC. Air Force Reserve Officer Training Corps (AFROTC). AF Reg 45-48. 24 May 1982.

APPENDICES

AFROTC FOUR-YEAR SCHOLARSHIP DATA ENTRY

(See Privacy Act Statement on reverse before providing requested information. (Type or print using block letters.)

PART I - PERSONAL IDENTIFICATION

1-2	Format	3-11	SOCIAL SECURITY NUMBER			IMPORTANT For Alphabetic Os, use O. For numeric zeros, use 0	
	7 A						
12-38	LAST NAME, FIRST NAME, MIDDLE INITIAL						
39-58	MAILING ADDRESS - NUMBER, STREET, APT NUMBER						
59-73	CITY OR APO			74-75	STATE	76-80	ZIP CODE OR APO

PART II - PERSONAL IDENTIFICATION INFORMATION (Continued)

1-2	Format	3-11	SOCIAL SECURITY NUMBER	12-16	LAST NAME (1st 5 Ltrs)	17	
	7 B						3
18-27	AREA CODE	TELEPHONE NUMBER		28	SEX	29-34	DATE OF BIRTH Year Month Day
					M-Male F-Female		35
							RACE C - Caucasian N - Black X - Other

FOR AFROTC USE ONLY

36-38		39-42			
43-46		47-51		52-55	UNIT NO First Choice
59	60-61	62-66	SAT	OR	62-66
					ACT

PART III - HIGH SCHOOL INFORMATION

1-2	Format	3-11	SOCIAL SECURITY NUMBER	12-16	LAST NAME (1st 5 Ltrs)		
	7 C						
17-26	HIGH SCHOOL CURRENTLY ATTENDING						
37-51	CITY OR APO			52-53	STATE	54-58	ZIP CODE OR APO

PART IV - ACADEMIC MAJOR PREFERENCES - *Enter only codes listed in this application booklet.*

1-2	Format	3-11	SOCIAL SECURITY NUMBER	12-16	LAST NAME (1st 5 Ltrs)
	7 U				
17-20	ACADEMIC MAJOR CHOICES		21-24	25	
	1st Choice	2nd Choice		AF ACADEMY INTEREST	

PRIVACY ACT STATEMENT

AUTH: 10 USC 2101 & EO 9397. *Principal Purpose(s):* To input applicant information into the Four-Year AFROTC Scholarship Data Automation Program. *Routine Uses:* To input basic applicant information and the applicant's scholarship preferences into the Four-Year AFROTC Scholarship Data Automation Program for scholarship selection, for statistical analysis of the scholarship program's characteristics and for research on the characteristics of scholarship holders versus others on active duty. *Mandatory or Voluntary Disclosure and Effect on Individual for Not Providing Information:* Disclosure of information on AFROTC Form 101 is voluntary; however, failure to disclose will result in disqualification for an AFROTC scholarship.

**INSTRUCTIONS FOR COMPLETING AFROTC FOUR-YEAR SCHOLARSHIP DATA ENTRY
(AFROTC FORM 101)**

IMPORTANT: Omit all blocks identified for AFROTC use only and those in which preprinted information appears. For repeated items use instructions previously provided.

PART I - Personal Identification Information

Blocks 3-11 Social Security Number - Social security numbers are used for applicant identification. Insure you use your correct number on all parts of this form. Use 0 for all numerical zeros.

Blocks 12-38 Name - Print entire last name followed by a space, first name followed by a space, and middle initial. Do not hyphenate or space your last name if it has two or more parts. Abbreviate your first name if required in order to include your middle initial. Do not enter hyphens, apostrophes, Jr., II, III, etc.

Blocks 39-58 Mailing Address - Enter address at which you want mail to reach you during the application process. This address will be used for all correspondence and scheduling purposes. Abbreviate street addresses using approved U.S. Postal Service abbreviations. Leave spaces as required between your house number, your street name and apartment number. Use 0 for all numerical zeros.

Blocks 59-75 City or APO and State - Reduce city name to fit the 15 boxes provided using identifiable and acceptable abbreviations if required. Abbreviate your state using the approved two-letter U.S. Postal Service abbreviation. Enter APO identifier, if appropriate, under CITY. If you are an APO applicant, leave STATE, Blocks 74-75, blank.

Blocks 76-80 Zip code or APO - Enter zip code or, for overseas applicants serviced by an APO, APO number. Use 0 for all numerical zeros.

PART II - Personal Identification Information (Cont)

Blocks 12-16 Last Name (1st five letters) - Enter the first five letters of your last name.

Blocks 18-27 Area Code/Telephone Number - Enter area code and home phone number at which you or your parents or guardian may be reached during the application process. Use 0 for all numerical zeros.

Block 28 Sex - Enter M (Male) or F (Female).

Blocks 29-34 Date of Birth - Enter last two digits of your birth year and express birth month and day using two digit numbers. Use 0 for all numerical zeros. Example: Date of birth March 7, 1964 would be expressed

Year	Month	Day
64	03	07

Block 35 Race - Enter C (Caucasian), N (Black), or X (Other).

Block 52-55 Unit No (First Choice) - Enter AFROTC unit number of the college or university of your first choice in the first 3 boxes. If your choice is listed in this booklet as 3 digits followed by a letter (e.g., 055B—Cal State U. at Long Beach), then use all 4 boxes to indicate the unit number. Unit numbers appear to the left of the institution name on the list of colleges and universities affiliated with Air Force ROTC. Use 0 for all numerical zeros.

PART III - High School information (If not currently enrolled in high school, omit Part III.)

Blocks 17-36 High School Currently Attending - Reduce high school name to fit the 17 boxes provided. Use identifiable and acceptable abbreviations, if required. Do not enter the words "HIGH SCHOOL"

Blocks 37-51 City or APO - Reduce the name of the city in which your high school is located to fit the 15 boxes provided. Use identifiable and acceptable abbreviations, if required. Enter APO identifier, if appropriate, under city. If you are an APO applicant, leave STATE, blocks 52-53, blank.

PART IV - Academic Major Preferences

**Blocks 17-20
21-24** **Academic Major Preference** - Decide upon the order of preference of 1 or 2 choices of academic majors from the list of acceptable academic majors. In your order of preference, insert the specialty codes identifying your choices in the boxes provided. Insure that the colleges or universities you apply to offer those academic disciplines.
IMPORTANT: ENTER ONLY THE CODES LISTED IN THIS BOOKLET.

Block 25 **Air Force Academy Interest** - If you want to be screened for meeting Air Force Academy admissions requirements, enter "8" in Block 25. Information on the Air Force Academy is printed later in this booklet.

FOR ROTC USE ONLY
 Waived AGE CITIZENSHIP
 CIVIL INVOLVEMENT

ROTC FOUR-YEAR SCHOLARSHIP APPLICATION

Form Approved - Office of
 Management & Budget No. 22-80300

NOTE: Please Type or Print All Entries Legibly.

PART I - APPLICANT DATA

1-1 Social Security Number	1-2 Name		Last Name	First Name	MI
1-3 Permanent Mailing Address	Number, Street, Apt Number		City		State Zip Code
1-4 Current Mailing Address (Complete if different from 1-3)	Number, Street, Apt Number		City		State Zip Code

NOTE: If current mailing address is different than permanent mailing address, indicate the inclusive dates you will reside at current mailing address:

From: _____ To: _____

1-5 State of Legal Residence	1-6 If you reside outside of the United States, Please Complete	Name of Country	APO Designation
1-7 Home Phone Number	Area Code Phone Number	1-8 Sex <input type="checkbox"/> Male <input type="checkbox"/> Female	1-9 Date of Birth

1-10 Do you have any moral obligations or personal convictions that will prevent you from conscientiously bearing arms and supporting or defending the Constitution of the United States from all enemies, foreign and domestic? (If "Yes", attach an explanation.) Yes No

1-11 Citizenship - Are you a United States Citizen? Yes No a. If yes, indicate source of citizenship (Birth or Naturalization). Birth Naturalization
 b. If no and citizenship has been applied for, give anticipated date citizenship will be granted Month _____ Year _____

1-12 Are you now or have you ever been a member of the U.S. Armed Forces, Reserves, National Guard, or U.S. Public Health Service (Signed on Enlistment Contract, DD Form 41)? If "Yes" indicate Branch, Unit and address, inclusive dates of enlistment, and highest grade attained. If discharged, give date and type of discharge. Yes No

Service or Branch	Unit	Enlistment (Mo/Yr to Mo/Yr)	Grade	Discharge Date
-------------------	------	-----------------------------	-------	----------------

1-13 Are you now or have you ever been enrolled in an officer training program of the Army, Navy, or Air Force? Include ROTC, Marine Platoon Leaders School, Major Service Academies and Service Academy Preparatory Schools (Signed on Enlistment Contract, DD Form 4)? If "Yes", give place, date of enrollment, type of program and reason for discontinuation. Yes No

Officer Training Program	Enrollment (Mo/Yr to Mo/Yr)	<input type="checkbox"/> Completed <input type="checkbox"/> Discontinued
--------------------------	-----------------------------	--

1-14 Have you ever been arrested, detained, indicted, summoned into court, indicted or convicted for any violation of civil or military law (includes juvenile offenses and moving to quiet on a misdemeanor or giving false information, may result in denial or cancellation and elimination from consideration for membership in the ROTC College Cadet Program)? If additional space is required, continue on separate sheet. Yes No

Arrest Date	DATE OF INVOLVEMENT	NAME AND ADDRESS OF ARRESTING AUTHORITY OR COURT	DISPOSITION/FINDING AND SENTENCE **	DRUGS OR ALCOHOL USE CITED
				<input type="checkbox"/> Yes <input type="checkbox"/> No
				<input type="checkbox"/> Yes <input type="checkbox"/> No
				<input type="checkbox"/> Yes <input type="checkbox"/> No
				<input type="checkbox"/> Yes <input type="checkbox"/> No

*For what were you cited by the arresting authority? **Include any reduction in charge and amount of fine.

PART II - EDUCATIONAL INFORMATION

2-1 High School Currently Attending	High School Name	City	State
2-2 Graduation Date	Month Year	2-3 Present Grade Level	2-4 High Schools Attended
		11 12 Grad	<input type="checkbox"/> 1 <input type="checkbox"/> 2 <input type="checkbox"/> 3 <input type="checkbox"/> 4 <input type="checkbox"/> 5 <input type="checkbox"/> More
2-5 Planned Academic Major	2-6 ACT/SAT Scheduled or Taken		
	ACT Month Year		
	SAT Month Year		
2-7 Junior College, College or University Attended	Institution	City	State
	2-8 Prior College Attended: <input type="checkbox"/> Full Time <input type="checkbox"/> Part Time Credits Earned:		

2-9 College or University you wish to attend if selected as a scholarship principal or alternate. Do not include Service Academies.

Institution	City	State	Unit Number
1st Choice			
2nd Choice			
3rd Choice			
4th Choice			

DD FORM 1893

EDITION OF 1 NOV 72 IS OBSOLETE

PAGE 1

SCHOOL OFFICIAL: COMPLETE PART III

PART III - SCHOLASTIC RECORD										
To be completed and authorized by an authorized high school official										
SPECIAL INSTRUCTIONS: Unless the candidate's exact or estimated rank in class or grade point average (GPA) is provided, the application is not complete. The candidate's rank in class should be calculated or estimated on the basis of his work through the 11th grade or the highest grade completed. Insure that a transcript of academic record for all high schools and preparatory schools attend-d is attached to this application.										
3-1 Class Rank	Numerical Rank in Class	Number of Students in Class	GPA _____ / A = _____ Scale	<input type="checkbox"/> Exact	<input type="checkbox"/> Estimated	Based on Highest Grade Completed	<input type="checkbox"/> 9, 10, 11	<input type="checkbox"/> 9, 10, 11, 12	<input type="checkbox"/> 10, 11	<input type="checkbox"/> 10, 11, 12
3-2 Rank Information		Explain class rank determination or weighting of grades in determining class rank, if required.								
3-3 Outstanding Academic Honors and Awards		10	11	12	<input type="checkbox"/> Other, please indicate _____			10	11	12
<input type="checkbox"/> Honor Roll		<input type="checkbox"/>	<input type="checkbox"/>	<input type="checkbox"/>				<input type="checkbox"/>	<input type="checkbox"/>	<input type="checkbox"/>
<input type="checkbox"/> National Honor Society		<input type="checkbox"/>	<input type="checkbox"/>	<input type="checkbox"/>				<input type="checkbox"/>	<input type="checkbox"/>	<input type="checkbox"/>
<input type="checkbox"/> National Merit Scholarship Semi-Finalist		<input type="checkbox"/>	<input type="checkbox"/>	<input type="checkbox"/>				<input type="checkbox"/>	<input type="checkbox"/>	<input type="checkbox"/>
PART IV - ATHLETIC AND EXTRACURRICULAR ACTIVITIES										
Section A - Extracurricular Activities										
READ CAREFULLY - Identify only those activities in which you engaged during school grades 10-12. ROTC is particularly interested in identifying activities in which an applicant has participated which involve responsibility and leadership. Activities other than those listed below should be added only if they involve considerable responsibility of leadership.										
4-1 Complete blocks										
A. STUDENT GOVERNMENT					F. PUBLISHING EXPERIENCE					
	Student Council	Class Officer	School Club	ROTC USE ONLY		School Paper	Year Book	School Magazine	ROTC USE ONLY	
	10 11 12	10 11 12	10 11 12			10 11 12	10 11 12	10 11 12		
President	<input type="checkbox"/>	<input type="checkbox"/>	<input type="checkbox"/>		Editor	<input type="checkbox"/>	<input type="checkbox"/>	<input type="checkbox"/>		
Vice-President	<input type="checkbox"/>	<input type="checkbox"/>	<input type="checkbox"/>		Business Mgr	<input type="checkbox"/>	<input type="checkbox"/>	<input type="checkbox"/>		
Secretary	<input type="checkbox"/>	<input type="checkbox"/>	<input type="checkbox"/>		Circulation Mgr	<input type="checkbox"/>	<input type="checkbox"/>	<input type="checkbox"/>		
Treasurer	<input type="checkbox"/>	<input type="checkbox"/>	<input type="checkbox"/>		Advertising Mgr	<input type="checkbox"/>	<input type="checkbox"/>	<input type="checkbox"/>		
Representative	<input type="checkbox"/>	<input type="checkbox"/>	<input type="checkbox"/>		Feature Editor	<input type="checkbox"/>	<input type="checkbox"/>	<input type="checkbox"/>		
B. DISTRICT, STATE OR NATIONAL ORGANIZATION (FFA, FNA, FTA, 4-H, BOY'S STATE, BOY'S NATION, ETC.)					Sports Editor					
	National Convention	State Convention	District Convention		Photo Editor	<input type="checkbox"/>	<input type="checkbox"/>	<input type="checkbox"/>		
	10 11 12	10 11 12	10 11 12		News Editor	<input type="checkbox"/>	<input type="checkbox"/>	<input type="checkbox"/>		
President	<input type="checkbox"/>	<input type="checkbox"/>	<input type="checkbox"/>		G. DRAMATIC EXPERIENCE					
Vice-President	<input type="checkbox"/>	<input type="checkbox"/>	<input type="checkbox"/>			3-Act Play	1-Act Play	Dramatic Contest		
Delegate	<input type="checkbox"/>	<input type="checkbox"/>	<input type="checkbox"/>		Director	<input type="checkbox"/>	<input type="checkbox"/>	<input type="checkbox"/>		
Representative	<input type="checkbox"/>	<input type="checkbox"/>	<input type="checkbox"/>		Actor	<input type="checkbox"/>	<input type="checkbox"/>	<input type="checkbox"/>		
Identify Organization					Writer	<input type="checkbox"/>	<input type="checkbox"/>	<input type="checkbox"/>		
_____					Stage Hand	<input type="checkbox"/>	<input type="checkbox"/>	<input type="checkbox"/>		
_____					H. PUBLIC APPEARANCES, DEBATES, ETC. (Include only public appearances before audiences, assemblies, banquets, conventions.)					
						Debating Team	Honorary Speeches	Master of Ceremonies		
						10 11 12	10 11 12	10 11 12		
						<input type="checkbox"/>	<input type="checkbox"/>	<input type="checkbox"/>		
Identify public appearance event					I. PAID WORK (Report average weekly employment during each academic year.)					
_____						None	9 Hrs or Less	10-15 Hrs	16-20 Hrs	
_____						10 11 12	10 11 12	10 11 12	10 11 12	
						<input type="checkbox"/>	<input type="checkbox"/>	<input type="checkbox"/>	<input type="checkbox"/>	
						20-25 Hrs	25-30 Hrs	More than 30 Hrs		
						10 11 12	10 11 12	10 11 12		
						<input type="checkbox"/>	<input type="checkbox"/>	<input type="checkbox"/>		
Identify Employer					J. PILOT OR RADIO OPERATOR EXPERIENCE					
_____					Type and License No. <input type="checkbox"/> Private Pilot No. _____					
_____					<input type="checkbox"/> Commercial Pilot No. _____					
					Radio Operator's License and Call Sign					
					<input type="checkbox"/> _____ Type Call Sign _____					
E. BOY/GIRL SCOUTS OF AMERICA (Include Rank or Position Held)										
<input type="checkbox"/> Member <input type="checkbox"/> Eagle <input type="checkbox"/> First Class <input type="checkbox"/> Ace										
<input type="checkbox"/> Quartermaster <input type="checkbox"/> Associate Advisor <input type="checkbox"/> Senior Patrol Leader										
<input type="checkbox"/> Junior Assistant Scoutmaster <input type="checkbox"/> Assistant Scoutmaster										
<input type="checkbox"/> Post President <input type="checkbox"/> Cabinet Officer										

AND VALIDATE/CERTIFY PART IV.

Section 8 - Athletic Activities

INSTRUCTIONS: (Numbers refer to numbers at head of column) 1. In this section, show your participation on school sponsored teams in these sports during grades 10, 11, and 12. 2. If you earned varsity letters, mark the corresponding year(s) for each sport. 3. Credit yourself under this category only if you were team captain, or co-captain, for the entire season. 4-7. Self explanatory. 8. In this section credit yourself for participation in intramural sports and non-school sponsored teams such as Babe Ruth, American Legion, Pony League, etc.

4-2 Sports	1 Participation on School Teams			2 Varsity Letters Earned			3 Varsity Team Captain or Co-Captain for Entire Season			4 State or Conference Record Holder			5 All-City, District or Conference 1st Team Only			6 All-State or All-American High School 1st or 2nd Team			7 Student Manager or Trainer of School Team			8 Participation on Non-School Teams (Babe Ruth, Intramurals, Etc.)			DO NOT USE THIS COLUMN			
	10	11	12	10	11	12	10	11	12	10	11	12	10	11	12	10	11	12	10	11	12	10	11	12				
Baseball	<input type="checkbox"/>	<input type="checkbox"/>	<input type="checkbox"/>	<input type="checkbox"/>	<input type="checkbox"/>	<input type="checkbox"/>	<input type="checkbox"/>	<input type="checkbox"/>	<input type="checkbox"/>	<input type="checkbox"/>	<input type="checkbox"/>	<input type="checkbox"/>	<input type="checkbox"/>	<input type="checkbox"/>	<input type="checkbox"/>	<input type="checkbox"/>	<input type="checkbox"/>	<input type="checkbox"/>	<input type="checkbox"/>	<input type="checkbox"/>	<input type="checkbox"/>	<input type="checkbox"/>	<input type="checkbox"/>	<input type="checkbox"/>	<input type="checkbox"/>	<input type="checkbox"/>	<input type="checkbox"/>	
Basketball	<input type="checkbox"/>	<input type="checkbox"/>	<input type="checkbox"/>	<input type="checkbox"/>	<input type="checkbox"/>	<input type="checkbox"/>	<input type="checkbox"/>	<input type="checkbox"/>	<input type="checkbox"/>	<input type="checkbox"/>	<input type="checkbox"/>	<input type="checkbox"/>	<input type="checkbox"/>	<input type="checkbox"/>	<input type="checkbox"/>	<input type="checkbox"/>	<input type="checkbox"/>	<input type="checkbox"/>	<input type="checkbox"/>	<input type="checkbox"/>	<input type="checkbox"/>	<input type="checkbox"/>	<input type="checkbox"/>	<input type="checkbox"/>	<input type="checkbox"/>	<input type="checkbox"/>	<input type="checkbox"/>	
Boxing	<input type="checkbox"/>	<input type="checkbox"/>	<input type="checkbox"/>	<input type="checkbox"/>	<input type="checkbox"/>	<input type="checkbox"/>	<input type="checkbox"/>	<input type="checkbox"/>	<input type="checkbox"/>	<input type="checkbox"/>	<input type="checkbox"/>	<input type="checkbox"/>	<input type="checkbox"/>	<input type="checkbox"/>	<input type="checkbox"/>	<input type="checkbox"/>	<input type="checkbox"/>	<input type="checkbox"/>	<input type="checkbox"/>	<input type="checkbox"/>	<input type="checkbox"/>	<input type="checkbox"/>	<input type="checkbox"/>	<input type="checkbox"/>	<input type="checkbox"/>	<input type="checkbox"/>	<input type="checkbox"/>	
Cross Country	<input type="checkbox"/>	<input type="checkbox"/>	<input type="checkbox"/>	<input type="checkbox"/>	<input type="checkbox"/>	<input type="checkbox"/>	<input type="checkbox"/>	<input type="checkbox"/>	<input type="checkbox"/>	<input type="checkbox"/>	<input type="checkbox"/>	<input type="checkbox"/>	<input type="checkbox"/>	<input type="checkbox"/>	<input type="checkbox"/>	<input type="checkbox"/>	<input type="checkbox"/>	<input type="checkbox"/>	<input type="checkbox"/>	<input type="checkbox"/>	<input type="checkbox"/>	<input type="checkbox"/>	<input type="checkbox"/>	<input type="checkbox"/>	<input type="checkbox"/>	<input type="checkbox"/>	<input type="checkbox"/>	
Fencing	<input type="checkbox"/>	<input type="checkbox"/>	<input type="checkbox"/>	<input type="checkbox"/>	<input type="checkbox"/>	<input type="checkbox"/>	<input type="checkbox"/>	<input type="checkbox"/>	<input type="checkbox"/>	<input type="checkbox"/>	<input type="checkbox"/>	<input type="checkbox"/>	<input type="checkbox"/>	<input type="checkbox"/>	<input type="checkbox"/>	<input type="checkbox"/>	<input type="checkbox"/>	<input type="checkbox"/>	<input type="checkbox"/>	<input type="checkbox"/>	<input type="checkbox"/>	<input type="checkbox"/>	<input type="checkbox"/>	<input type="checkbox"/>	<input type="checkbox"/>	<input type="checkbox"/>	<input type="checkbox"/>	
Football	<input type="checkbox"/>	<input type="checkbox"/>	<input type="checkbox"/>	<input type="checkbox"/>	<input type="checkbox"/>	<input type="checkbox"/>	<input type="checkbox"/>	<input type="checkbox"/>	<input type="checkbox"/>	<input type="checkbox"/>	<input type="checkbox"/>	<input type="checkbox"/>	<input type="checkbox"/>	<input type="checkbox"/>	<input type="checkbox"/>	<input type="checkbox"/>	<input type="checkbox"/>	<input type="checkbox"/>	<input type="checkbox"/>	<input type="checkbox"/>	<input type="checkbox"/>	<input type="checkbox"/>	<input type="checkbox"/>	<input type="checkbox"/>	<input type="checkbox"/>	<input type="checkbox"/>	<input type="checkbox"/>	
Golf	<input type="checkbox"/>	<input type="checkbox"/>	<input type="checkbox"/>	<input type="checkbox"/>	<input type="checkbox"/>	<input type="checkbox"/>	<input type="checkbox"/>	<input type="checkbox"/>	<input type="checkbox"/>	<input type="checkbox"/>	<input type="checkbox"/>	<input type="checkbox"/>	<input type="checkbox"/>	<input type="checkbox"/>	<input type="checkbox"/>	<input type="checkbox"/>	<input type="checkbox"/>	<input type="checkbox"/>	<input type="checkbox"/>	<input type="checkbox"/>	<input type="checkbox"/>	<input type="checkbox"/>	<input type="checkbox"/>	<input type="checkbox"/>	<input type="checkbox"/>	<input type="checkbox"/>	<input type="checkbox"/>	
Gymnastics	<input type="checkbox"/>	<input type="checkbox"/>	<input type="checkbox"/>	<input type="checkbox"/>	<input type="checkbox"/>	<input type="checkbox"/>	<input type="checkbox"/>	<input type="checkbox"/>	<input type="checkbox"/>	<input type="checkbox"/>	<input type="checkbox"/>	<input type="checkbox"/>	<input type="checkbox"/>	<input type="checkbox"/>	<input type="checkbox"/>	<input type="checkbox"/>	<input type="checkbox"/>	<input type="checkbox"/>	<input type="checkbox"/>	<input type="checkbox"/>	<input type="checkbox"/>	<input type="checkbox"/>	<input type="checkbox"/>	<input type="checkbox"/>	<input type="checkbox"/>	<input type="checkbox"/>	<input type="checkbox"/>	
Hockey (Field or Ice)	<input type="checkbox"/>	<input type="checkbox"/>	<input type="checkbox"/>	<input type="checkbox"/>	<input type="checkbox"/>	<input type="checkbox"/>	<input type="checkbox"/>	<input type="checkbox"/>	<input type="checkbox"/>	<input type="checkbox"/>	<input type="checkbox"/>	<input type="checkbox"/>	<input type="checkbox"/>	<input type="checkbox"/>	<input type="checkbox"/>	<input type="checkbox"/>	<input type="checkbox"/>	<input type="checkbox"/>	<input type="checkbox"/>	<input type="checkbox"/>	<input type="checkbox"/>	<input type="checkbox"/>	<input type="checkbox"/>	<input type="checkbox"/>	<input type="checkbox"/>	<input type="checkbox"/>	<input type="checkbox"/>	
Lacrosse	<input type="checkbox"/>	<input type="checkbox"/>	<input type="checkbox"/>	<input type="checkbox"/>	<input type="checkbox"/>	<input type="checkbox"/>	<input type="checkbox"/>	<input type="checkbox"/>	<input type="checkbox"/>	<input type="checkbox"/>	<input type="checkbox"/>	<input type="checkbox"/>	<input type="checkbox"/>	<input type="checkbox"/>	<input type="checkbox"/>	<input type="checkbox"/>	<input type="checkbox"/>	<input type="checkbox"/>	<input type="checkbox"/>	<input type="checkbox"/>	<input type="checkbox"/>	<input type="checkbox"/>	<input type="checkbox"/>	<input type="checkbox"/>	<input type="checkbox"/>	<input type="checkbox"/>	<input type="checkbox"/>	
Rifle/Pistol	<input type="checkbox"/>	<input type="checkbox"/>	<input type="checkbox"/>	<input type="checkbox"/>	<input type="checkbox"/>	<input type="checkbox"/>	<input type="checkbox"/>	<input type="checkbox"/>	<input type="checkbox"/>	<input type="checkbox"/>	<input type="checkbox"/>	<input type="checkbox"/>	<input type="checkbox"/>	<input type="checkbox"/>	<input type="checkbox"/>	<input type="checkbox"/>	<input type="checkbox"/>	<input type="checkbox"/>	<input type="checkbox"/>	<input type="checkbox"/>	<input type="checkbox"/>	<input type="checkbox"/>	<input type="checkbox"/>	<input type="checkbox"/>	<input type="checkbox"/>	<input type="checkbox"/>	<input type="checkbox"/>	
Rugby	<input type="checkbox"/>	<input type="checkbox"/>	<input type="checkbox"/>	<input type="checkbox"/>	<input type="checkbox"/>	<input type="checkbox"/>	<input type="checkbox"/>	<input type="checkbox"/>	<input type="checkbox"/>	<input type="checkbox"/>	<input type="checkbox"/>	<input type="checkbox"/>	<input type="checkbox"/>	<input type="checkbox"/>	<input type="checkbox"/>	<input type="checkbox"/>	<input type="checkbox"/>	<input type="checkbox"/>	<input type="checkbox"/>	<input type="checkbox"/>	<input type="checkbox"/>	<input type="checkbox"/>	<input type="checkbox"/>	<input type="checkbox"/>	<input type="checkbox"/>	<input type="checkbox"/>	<input type="checkbox"/>	
Shooting	<input type="checkbox"/>	<input type="checkbox"/>	<input type="checkbox"/>	<input type="checkbox"/>	<input type="checkbox"/>	<input type="checkbox"/>	<input type="checkbox"/>	<input type="checkbox"/>	<input type="checkbox"/>	<input type="checkbox"/>	<input type="checkbox"/>	<input type="checkbox"/>	<input type="checkbox"/>	<input type="checkbox"/>	<input type="checkbox"/>	<input type="checkbox"/>	<input type="checkbox"/>	<input type="checkbox"/>	<input type="checkbox"/>	<input type="checkbox"/>	<input type="checkbox"/>	<input type="checkbox"/>	<input type="checkbox"/>	<input type="checkbox"/>	<input type="checkbox"/>	<input type="checkbox"/>	<input type="checkbox"/>	
Soccer	<input type="checkbox"/>	<input type="checkbox"/>	<input type="checkbox"/>	<input type="checkbox"/>	<input type="checkbox"/>	<input type="checkbox"/>	<input type="checkbox"/>	<input type="checkbox"/>	<input type="checkbox"/>	<input type="checkbox"/>	<input type="checkbox"/>	<input type="checkbox"/>	<input type="checkbox"/>	<input type="checkbox"/>	<input type="checkbox"/>	<input type="checkbox"/>	<input type="checkbox"/>	<input type="checkbox"/>	<input type="checkbox"/>	<input type="checkbox"/>	<input type="checkbox"/>	<input type="checkbox"/>	<input type="checkbox"/>	<input type="checkbox"/>	<input type="checkbox"/>	<input type="checkbox"/>	<input type="checkbox"/>	
Swimming/Diving	<input type="checkbox"/>	<input type="checkbox"/>	<input type="checkbox"/>	<input type="checkbox"/>	<input type="checkbox"/>	<input type="checkbox"/>	<input type="checkbox"/>	<input type="checkbox"/>	<input type="checkbox"/>	<input type="checkbox"/>	<input type="checkbox"/>	<input type="checkbox"/>	<input type="checkbox"/>	<input type="checkbox"/>	<input type="checkbox"/>	<input type="checkbox"/>	<input type="checkbox"/>	<input type="checkbox"/>	<input type="checkbox"/>	<input type="checkbox"/>	<input type="checkbox"/>	<input type="checkbox"/>	<input type="checkbox"/>	<input type="checkbox"/>	<input type="checkbox"/>	<input type="checkbox"/>	<input type="checkbox"/>	
Tennis	<input type="checkbox"/>	<input type="checkbox"/>	<input type="checkbox"/>	<input type="checkbox"/>	<input type="checkbox"/>	<input type="checkbox"/>	<input type="checkbox"/>	<input type="checkbox"/>	<input type="checkbox"/>	<input type="checkbox"/>	<input type="checkbox"/>	<input type="checkbox"/>	<input type="checkbox"/>	<input type="checkbox"/>	<input type="checkbox"/>	<input type="checkbox"/>	<input type="checkbox"/>	<input type="checkbox"/>	<input type="checkbox"/>	<input type="checkbox"/>	<input type="checkbox"/>	<input type="checkbox"/>	<input type="checkbox"/>	<input type="checkbox"/>	<input type="checkbox"/>	<input type="checkbox"/>	<input type="checkbox"/>	
Track (Indoor or Outdoor)	<input type="checkbox"/>	<input type="checkbox"/>	<input type="checkbox"/>	<input type="checkbox"/>	<input type="checkbox"/>	<input type="checkbox"/>	<input type="checkbox"/>	<input type="checkbox"/>	<input type="checkbox"/>	<input type="checkbox"/>	<input type="checkbox"/>	<input type="checkbox"/>	<input type="checkbox"/>	<input type="checkbox"/>	<input type="checkbox"/>	<input type="checkbox"/>	<input type="checkbox"/>	<input type="checkbox"/>	<input type="checkbox"/>	<input type="checkbox"/>	<input type="checkbox"/>	<input type="checkbox"/>	<input type="checkbox"/>	<input type="checkbox"/>	<input type="checkbox"/>	<input type="checkbox"/>	<input type="checkbox"/>	
Wrestling (Judo or Karate)	<input type="checkbox"/>	<input type="checkbox"/>	<input type="checkbox"/>	<input type="checkbox"/>	<input type="checkbox"/>	<input type="checkbox"/>	<input type="checkbox"/>	<input type="checkbox"/>	<input type="checkbox"/>	<input type="checkbox"/>	<input type="checkbox"/>	<input type="checkbox"/>	<input type="checkbox"/>	<input type="checkbox"/>	<input type="checkbox"/>	<input type="checkbox"/>	<input type="checkbox"/>	<input type="checkbox"/>	<input type="checkbox"/>	<input type="checkbox"/>	<input type="checkbox"/>	<input type="checkbox"/>	<input type="checkbox"/>	<input type="checkbox"/>	<input type="checkbox"/>	<input type="checkbox"/>	<input type="checkbox"/>	
Other (Identify)	<input type="checkbox"/>	<input type="checkbox"/>	<input type="checkbox"/>	<input type="checkbox"/>	<input type="checkbox"/>	<input type="checkbox"/>	<input type="checkbox"/>	<input type="checkbox"/>	<input type="checkbox"/>	<input type="checkbox"/>	<input type="checkbox"/>	<input type="checkbox"/>	<input type="checkbox"/>	<input type="checkbox"/>	<input type="checkbox"/>	<input type="checkbox"/>	<input type="checkbox"/>	<input type="checkbox"/>	<input type="checkbox"/>	<input type="checkbox"/>	<input type="checkbox"/>	<input type="checkbox"/>	<input type="checkbox"/>	<input type="checkbox"/>	<input type="checkbox"/>	<input type="checkbox"/>	<input type="checkbox"/>	
Other (Identify)	<input type="checkbox"/>	<input type="checkbox"/>	<input type="checkbox"/>	<input type="checkbox"/>	<input type="checkbox"/>	<input type="checkbox"/>	<input type="checkbox"/>	<input type="checkbox"/>	<input type="checkbox"/>	<input type="checkbox"/>	<input type="checkbox"/>	<input type="checkbox"/>	<input type="checkbox"/>	<input type="checkbox"/>	<input type="checkbox"/>	<input type="checkbox"/>	<input type="checkbox"/>	<input type="checkbox"/>	<input type="checkbox"/>	<input type="checkbox"/>	<input type="checkbox"/>	<input type="checkbox"/>	<input type="checkbox"/>	<input type="checkbox"/>	<input type="checkbox"/>	<input type="checkbox"/>	<input type="checkbox"/>	

4-3 REMARKS: Provide explanation for little or no athletic or extracurricular activities, or for activities not covered above.

NOTE TO SCHOOL OFFICIAL: The above information on the student's activities is an important criterion in the College Scholarship Program selection process. Please enter your signature below as validation of school data, athletic activities and extracurricular activities as reported here by the applicant. (This form must be received by 15 December in order for applicant to be considered at time of final selection.)

I certify that the above information concerning scholastic, athletic and extracurricular activities data is complete and correct to the best of my knowledge.

Date

X

Signature of School Official

School Position or Title

Section C - Military Training Programs/Background

4-4 Junior ROTC Program Membership	PROGRAM <input type="checkbox"/> Air Force <input type="checkbox"/> Army <input type="checkbox"/> Navy <input type="checkbox"/> Marines	Unit Designation _____ _____ _____	Identify Positions Held			ROTC USE ONLY
		Years Participated: 9 10 11 12 <input type="checkbox"/> <input type="checkbox"/> <input type="checkbox"/> <input type="checkbox"/>	_____ _____ _____	10 <input type="checkbox"/>	11 <input type="checkbox"/>	
4-5 CAP, NACC, ETC.	ORGANIZATION <input type="checkbox"/> CAP <input type="checkbox"/> NACC <input type="checkbox"/> _____ Other (Identify) _____	Unit Designation _____ _____ _____	Identify Positions Held			ROTC USE ONLY
		Years Participated: 9 10 11 12 <input type="checkbox"/> <input type="checkbox"/> <input type="checkbox"/> <input type="checkbox"/>	_____ _____ _____	10 <input type="checkbox"/>	11 <input type="checkbox"/>	

4-6 Foreign Travel

- a. Have you visited any of the countries listed below after the date indicated for each? Yes No
- b. Do you have any immediate relatives (Spouse, parent, brother, sister or offspring) residing in any of the countries listed below? Yes No

NOTE: If yes to either question, attach a complete explanation on a separate sheet.

Albania (11 Jan 1946), Bulgaria (27 Oct 1946), Chinese Peoples Republic (Communist China) (including Tibet) (1 Jun 1949), Cuba (2 Dec 1960), Czechoslovakia (26 Feb 1943), Democratic Peoples Republic of Korea (North Korea; above the 38th Parallel) (2 Sep 1948), Democratic Republic of Vietnam (North Vietnam) (10 Dec 1946), Estonia (16 Jun 1940), German Democratic Republic (GDR) (East Germany) (1 Apr 1948), Hungary (1 Jun 1947), Kurile Islands and South Sakhalin (Kursafuta) (2 Sep 1946), Latvia (18 Jun 1940), Lithuania (16 Jun 1940), Poland (7 Feb 1947), Republic of San Marino (14 Mar 1948)*, Rumania (30 Dec 1947), Soviet Sector of Berlin (1 Apr 1946), Union of Soviet Socialist Republics (USSR) (26 Oct 1922), Yugoslavia (11 Nov 1948).

*Terminated 28 Oct 1957.

4-7 State briefly why you desire to receive a commission as an officer or pursue a military career.

Date _____	Applicant's Signature _____
------------	-----------------------------

4-8 Parent or Legal Guardian's Name and Address _____

4-10 As parent/legal guardian of _____ I understand I will have to give my consent to his enlistment in a Reserve Component of the Armed Forces (if applicant will not reach age 18 at time of enlistment) and to his entering in contract which leads to commission (if under age 21). I further understand that if a commission is tendered, that an active duty obligation will be incurred.

Date _____	Signature of Parent/Legal Guardian _____
------------	--

FOR A FASTER RESPONSE, SUBMIT THIS FORM, THE DATA ENTRY FORM, YOUR HIGH SCHOOL TRANSCRIPT, AND ACT/SAT SCORE REPORTS IN THE SAME ENVELOPE TO THE AFROTC FOUR-YEAR SCHOLARSHIP BRANCH.

TO SCHOOL OFFICIAL: Please complete and return this form directly to the address listed. DO NOT RETURN TO STUDENT.

**AFROTC 4-YEAR SCHOLARSHIP PROGRAM
STATEMENT OF RECOMMENDATION**

PRIVACY ACT STATEMENT

AUTHORITY: 10 USC 2101 and EO 9397. **PRINCIPAL PURPOSE:** To provide a Statement of Recommendation, by either a high school principal or guidance counselor, on a 4-year AFROTC scholarship program applicant. **ROUTINE USES:** The Statement of Recommendation is used by the 4-year AFROTC Central Scholarship Selection Board in the evaluation of an applicant for a 4-year Scholarship. **DISCLOSURE:** Disclosure is voluntary. The effect of not receiving the form might be detrimental to the applicant when his records are reviewed by the 4-year Central Scholarship Selection Board for scholarship consideration.

IDENTIFICATION SECTION

AFROTC SCHOLARSHIP APPLICANT	NAME (Last, First, and Middle)	SOCIAL SECURITY NO
	MAILING ADDRESS (Number, Street, City, State, Zip Code)	DATE
IMPORTANT	MAIL TO: AFROTC/4-YEAR SCHOLARSHIP BRANCH MAXWELL AFB AL 36112	

I INSTRUCTIONS

- To be completed by the high school principal or guidance counselor.
- Please print or type.
- Personal characteristics - please circulate this form among the student's present teachers and have them indicate, by using checks, the student's personal characteristics in Part II.
- Comments and Recommendations - Provide a specific statement in Part III, regarding the applicant's character, leadership ability, effectiveness in working with others, judgement, adaptability, physical fitness, writing ability, oral expression, and bearing and behavior.

II PERSONAL CHARACTERISTICS:

The following characteristics are descriptions of behavior. Where possible include the judgements of a number of the pupil's present teachers by using checks, as in the example below:

<i>Example: MOTIVATION</i>	<input type="checkbox"/>	<input type="checkbox"/>	<input checked="" type="checkbox"/>	<input checked="" type="checkbox"/>	<input checked="" type="checkbox"/>
	Purposeless	Vacillating	Usually Purposeful	Effectively Motivated	Highly Motivated
<i>The example indicates the most frequent or modal behavior of the pupil as shown by the agreement of five of the eight teachers reporting. The location of the checks, to the left and right indicates that one teacher considers the pupil VACILLATING and that two teachers consider him HIGHLY MOTIVATED. If preferred, Academic subjects may be entered in place of the checkmarks</i>					
MOTIVATION	<input type="checkbox"/>	<input type="checkbox"/>	<input type="checkbox"/>	<input type="checkbox"/>	<input type="checkbox"/>
	Purposeless	Vacillating	Usually purposeful	Effectively motivated	Highly motivated
INDUSTRY	<input type="checkbox"/>	<input type="checkbox"/>	<input type="checkbox"/>	<input type="checkbox"/>	<input type="checkbox"/>
	Seldom works even under pressure	Needs constant pressure	Needs occasional prodding	Prepares assigned work regularly	Seeks additional work
INITIATIVE	<input type="checkbox"/>	<input type="checkbox"/>	<input type="checkbox"/>	<input type="checkbox"/>	<input type="checkbox"/>
	Merely conforms	Seldom initiates	Frequently initiates	Consistently self-reliant	Actively creative
INFLUENCE AND LEADERSHIP	<input type="checkbox"/>	<input type="checkbox"/>	<input type="checkbox"/>	<input type="checkbox"/>	<input type="checkbox"/>
	Negative	Cooperative but retiring	Sometimes in minor affairs	Contributing in important affairs	Judgment respected - makes things go
CONCERN FOR OTHERS	<input type="checkbox"/>	<input type="checkbox"/>	<input type="checkbox"/>	<input type="checkbox"/>	<input type="checkbox"/>
	Indifferent	Self-centered	Somewhat socially concerned	Generally concerned	Deeply and actively concerned
RESPONSIBILITY	<input type="checkbox"/>	<input type="checkbox"/>	<input type="checkbox"/>	<input type="checkbox"/>	<input type="checkbox"/>
	Unreliable	Somewhat dependable	Usually dependable	Conscientious	Assumes much responsibility
INTEGRITY	<input type="checkbox"/>	<input type="checkbox"/>	<input type="checkbox"/>	<input type="checkbox"/>	<input type="checkbox"/>
	Not dependable	Questionable at times	Generally honest	Reliable, dependable	Consistently trustworthy
EMOTIONAL STABILITY	<input type="checkbox"/>	<input type="checkbox"/>	<input type="checkbox"/>	<input type="checkbox"/>	<input type="checkbox"/>
	Hyperemotional	Excitable	Usually well-balanced	Well-balanced	Exceptionally stable
	Apathetic	Unresponsive			

III COMMENTS AND RECOMMENDATIONS (Attach a separate sheet if necessary.)

IV. MOTIVATION: Based upon your knowledge of the student, what do you feel is the reason that the student is applying for an Air Force ROTC 4 Year Scholarship?

V ACADEMIC POTENTIAL: Based on your experience and the student's academic achievements, indicate the student's potential to successfully complete college.

- LITTLE CHANCE OF SUCCESS
 MAY ENCOUNTER DIFFICULTY
 AVERAGE
 ABOVE AVERAGE
 SUPERIOR

VI SPECIFIC RECOMMENDATION: Based on your knowledge, how do you recommend this student?

- PREFER NOT TO MAKE A RECOMMENDATION
 NOT RECOMMENDED FOR COLLEGE OR AIR FORCE OFFICER TRAINING
 RECOMMENDED

VII EVALUATING OFFICIAL

NAME AND TITLE	SIGNATURE
NAME OF HIGH SCHOOL	NUMBER, STREET, CITY, STATE AND ZIP CODE

VIII JUNIOR ROTC INSTRUCTOR EVALUATION: Does the school have Junior ROTC? YES NO

CURRENTLY ENROLLED IN JROTC? <input type="checkbox"/> YES <input type="checkbox"/> NO	JROTC PROGRAM <input type="checkbox"/> AIR FORCE <input type="checkbox"/> ARMY <input type="checkbox"/> NAVY <input type="checkbox"/> MARINES	JROTC UNIT DESIGNATION	YEARS PARTICIPATED <input type="checkbox"/> 9 <input type="checkbox"/> 10 <input type="checkbox"/> 11 <input type="checkbox"/> 12
---	---	------------------------	--

Comments by the Junior ROTC instructor pertaining to the student's performance and suitability for military service as an Air Force officer. List awards received and corps positions held. If your personal knowledge of the student is limited, please state so. Attach a separate sheet if necessary.

NAME OF INSTRUCTOR (Please Print)	SIGNATURE	DATE
-----------------------------------	-----------	------

AUTHORIZATION FOR ACCOMPLISHMENT AND RELEASE OR STATEMENT OF RECOMMENDATION

TO WHOM IT MAY CONCERN: I authorize accomplishment and release of all parts of the confidential statement of recommendation pertaining to my qualifications as a candidate for a 4-year scholarship and as a future officer in the USAF. I understand this information will be considered discreet information and is to be used only by the AFROTC Scholarship Selection Board. This form is subject to the provisions of the Privacy Act and the Freedom of Information Act.

SIGNATURE OF APPLICANT _____ DATE _____

FYSP Report Request Sheet

29 AUG 1985

REPORT TITLE	FILE ID	PCN#	GRID#	SNUM#	REQST CODE	PAPER CODE
<u>SORTED TRANSACTION</u>	MZE12UKGU	UP909-12A	TAPE	9E1		B1
CEEB ALPHA LIST	MZE12UKDU	UP909-12B	TAPE	9E1	L	B1
<u>ERRONEOUS TRANSACTIONS</u>	PZE14UKGU	UP909-14A	L1	9E1	SYSOUT	B4
ERRONEOUS "BE" TRANS	PZE11UKAU	UP909-11A		9E1	SYSOUT	B1
SCHOLARSHIP TABLE TRANS	FZE09UKBU	UP909-09A		9EA	SYSOUT	B1
SCHOLARSHIP TABLE	FZE09UKBU	UP909-09B		9EA	SYSOUT	B1
SCHL. ASSIGN PROGRAM				9EB	SYSOUT	B1
<u>SUMMARY REPORTS</u>	MZE17UKAU	UP909-17A	L4	9E3	F	B1+FIC
REP SUMMARY REPORTS	MZE30UKAU	UP909-30A	L5	9E3	F	B1+FIC
MEDICAL INFORMATION	MZE21UKRU	UP909-21R	L2	9E5	SYSOUT	2 FIC
ADMIN ACTION DETACH ROS	MZE19UKAU	UP909-19A	L1	9E7		B1+FIC
RECEIPT ALPHA	PZE19UKBU	UP909-19B	L2	9E7	H	B2+FIC
ADCO RECRUITING ROSTER	MZE19UKCU	UP909-19C	L3	9E7	I	B2+FIC
APO ROSTER	MZE19UKDU	UP909-19D	L4	9E7	J	FIC
DET OF PREFERENCE	MZE19UKEU	UP909-19E	L5	9E7	G	B1+FIC
ALTERNATE ALPHA/RANK	MZE19UKFU	UP909-19F	L6	9E7	9	B1+FIC
<u>STATUS CHANGE</u>	PZE20UKAU	UP909-20A	L7	9E7	N/A	B2
ALPHA BY STATE	PZE20UKBU	UP909-20B	L8	9E7	N	B1+FIC
SELECTEE BY STATE (ADCO)	PZE20UKCU	UP909-20C	L9	9E7	O	B2
SELECTEE BY ZIP	PZE20UKEU	UP909-20E	LB	9E7	Q	B1+FIC
AFJROTC ROSTER	PZE20UKFU	UP909-20F	LC	9E7	R	B2
CAP ROSTER	MZE20UKGU	UP909-20G	LD	9E7	S	FIC
WINNERS BY HIGH SCHOOL	PZE20UKHU	UP909-20H	LE	9E7	W	B1+FIC
REP RECRUITMENT ROSTER	PZE32UKAU	UP909-32A	L1	9E8	7	B1+FIC
<u>MAILING LABELS</u>	PZE18UKAU	UP909-18A/Q	L2	9E8	6,9,K,S	LABELS
ALPHA BY STATUS	MZE16UKFU	UP909-16F	L4	9E8	C	B1+FIC
SCAN ROSTER	MZE16UKHU	UP909-16H	L5	9E8	D	2 FIC
COMPOSITE SCORE	MZE16UKJU	UP909-16J	L6	9E8	E	B1+FIC
<u>ALPHA ROSTER</u>	PZE16UKGU	UP909-16G	L7	9E8	B	B2+7 F
CURRENT POINT SPREAD	PZE26UKAU	UP909-26A	L1	9EC	1	B1
CUM MEM POINT SPREAD	PZE26UKBU	UP909-26B	L2	9EC	2	B1
CUMM BRD POINT SPREAD	PZE26UKCU	UP909-26C	L3	9EC	2	B1
BOARD ALPHA	PZE26UKDU	UP909-26D	L4	9EC	4	B1
BOARD RANK	PZE26UKEU	UP909-26E	L5	9EC	5	B1
SCH MANUAL/CAP/JR	PZE28UKAU	UP909-28B		9ED	SYSOUT	B1
SCH AWARD CAP	PZE28UKAU	UP909-28D		9ED	SYSOUT	B1
SCH AWARD BY STATE	PZE28UKAU	UP909-28E		9ED	SYSOUT	B1
REP DESIGNEES	PZE28UKAU	UP909-28F		9ED	SYSOUT	B1
SCH BY JROTC UNIT	PZE28UKAU	UP909-28C		9ED	SYSOUT	B1
REP DESIGNEES BY STATE	PZE28UKAU	UP909-28G		9ED	SYSOUT	B1
<u>SCHL AWARDED TOTAL</u>	PZE28UKAU	UP909-28A		9ED	SYSOUT	B1
DET TABLE BY DETS	PZE40UKAU	UP909-40B		9EE	SYSOUT	B1
DET TABLE BY ZIP	PZE40UKAU	UP909-40A		9EE	SYSOUT	B1
TRANS ERROR LIST	PZE10UKAU	UP909-10A		9EF	SYSOUT	B1
DET/OL COLLEGE NAMES	PZE10UKBU	UP909-10B		9EF	SYSOUT	B1
CHANGE LIST	PZE10UKCU	UP909-10C		9EF	SYSOUT	B1
DDMFB: MCD TAPE	MZE15UKBU			9EG	SYSOUT	TAPE
BOARD SCORE SCAN DOCS	PZE25UKAU			9EH	SYSOUT	B1

FOUR-YEAR SCHOLARSHIP DISQUALIFICATION CODES

DISQUALIFIED BY AFROTC/RRUF

Applicant	VOLUNTARY WITHDRAWAL		Designee
	Finalist	Alternate	
A08 - Will not be age 17	H01	H21	H31
A09 - Will be age 25 or older	H02	H22	H32
A10 - Conscientious objector	H03	H23	H33
A11 - Will not be US citizen	H04	H24	H34
A12 - Prior military service, not eligible for reenlistment	H05	H25	H35
A13 - Prior officer training, not waived	H06	H26	H36
A14 - Legal involvement, not waived	H07	H27	H37
A15 - Current active duty, discharge too late for fall semester	H08	H28	H38
B06 - Foreign association, not waived	H09	H29	H39
B07 - Full-time college credit			
D01 - Drug abuse, not waived			
E01 - Applicant removed from consideration by RRUF (low GPA or class standing)			
E02 - Finalist removed from consideration by RRUF			
E03 - Alternate removed from consideration by RRUF			
E04 - Designee removed from consideration by RRUF			
F02 - SAT Verbal score below 450 or ACT English score below 19			
F03 - First preference of pilot or navigator not compatible with medical certification (not used)			
F04 - SAT Math score below 500 or ACT Math score below 20			
F05 - SAT Total score below 1000 or ACT Composite score below 23			
G01 - Cadet Profile Score below minimum			
G02 - Selection board determined that finalist was not competitive			
K01 - Failed to complete initial application			
K02 - Late applicant			
K03 - Failed to enroll in AFROTC			
K04 - Failed to graduate from high school or earn equivalent certificate			
K05 - Failed to achieve SAT or ACT finalist scores by January			

CURRENT APPLICANT MASTER LAYOUT

NOTE: Taken from the annotated copy of DACI 171-6811, ATCH A1-12 used by FYSP staff for programming and inquiries.

DATA-NAME	RECORD POSITIONS	TYPE
Scholarship Status	1	A
Social Security Number	2-10	N
Name	11-37	A
Home Street Address	38-57	A/N
Home City	58-72	A
Home State	73-74	A
Home Zip Code	75-79	N
GPA/ClassRank Waiver=1	80	N
Telephone Number	81-90	N
Sex	91	A
Date of Birth	92-97	N
Race	98	A
Detachment of Preference	99-102	A/N
AFJROTC Unit	103-107	A/N
State(Civil Air Patrol)	108-109	A
Filler	110-113	---
Administrative Detachment	114-117	A/N
Medical Status	118-119	A/N
Filler	120-124	---
ADCO Area	125-128	A/N
Status Data	129-134	N

DATA-NAME	RECORD POSITIONS	TYPE
Filler	135-138	---
Date Scheduled General Requirements	139-143	N
Letter of Administration	144-148	A/N
Filler	149-153	---
Date Recorded Personal Interview	154-158	N
Date Scheduled Medical	159-163	N
Filler	164-173	---
Special Applicant Tag	174	A
Filler	175	---
Interview Captured	176	N
Filler	177-178	---
Failure to Appear for Medical	179	A
Filler	180	---
Previous Scholarship Status	181	A
QEP Identifier	182	A/N
Medical Reporting Action	183	*
Medical Scheduling Tag	184	A/N
Interview Rating	185	N
Career Field Preferences	186-193	A/N
Interests in According	194-197	A/N
Filler	198-205	---
Medical Disqualification Causes	206-220	N
Remarks Codes	221-235	A/N

DATA-NAME	RECORD POSITIONS	TYPE
Applicant's High School	236-255	A
High School City	256-270	A
High School State	271-272	A
High School Zip Code	273-277	N
Grade Point Average	278-280	N
Class Standing	281-284	N
Class Size	285-288	N
CEEB Score	289-292	N
Math Score	293-294	N
Class Standing Standard Score	295-298	N
Program Composite Score	299-303	N
Filler	304-305	---
Alternate Rank	306-309	N
Verbal Score	310-311	N
SAT/ACT Waiver	312	A/N
Filler	313	---
SAT/ACT Indicator	314	N
Mailing Label Switches	315-320	A/N
Mailing Label Code	321	A
Academic Major	322-325	A/N
Total Panel Scores	326-328	N
Board Designation	329	N
Board Rank	330-334	A/N
Panel Designation	335	A

DATA-NAME	RECORD POSITIONS	TYPE
Panel Member 1 Score	336-338	N
Panel Member 2 Score	339-341	N
Panel Member 3 Score	342-344	N
Prior Scholarship Status	345	A
Date of Medical Exam	346-350	N
High School Percentile	351-353	N
Type Scholarship	354	A

20 DECEMBER 1984

ADUM 200-001

PROGRAMS INPUT TAPE TO DODMERB

11:20 June 1985

FILE SPECIFICATIONS		CLASSIFICATION UNCLAS
FILE DESCRIPTIVE TITLE AGENCY INPUT FILE		STORAGE MEDIUM AND MODE Tape 9 Track 1600 BPI
FILE ORDER <u>UNLABELED</u> <u>ODD PARITY CHECK</u> <u>EBCDIC</u> SSAN		
FILE ID DOEAE	RECORD LENGTH (248 Characters)	BLOCKING FACTOR (4)
RETENTION REQUIREMENTS		
REMARKS This tape file contains applicant data that is to be added to DODMERB system.		

AF FORM 1191 AUG 70 PREVIOUS EDITIONS ARE OBSOLETE.

RECORD LAYOUT			
FILE TITLE	RECORD TITLE	CLASSIFICATION	
AGENCY-INPUT-FILE	AGCY-RCD	RCS/PCN 248 Char	Block 4
FILE DESCRIPTION	RECORD POSITIONS	TYPE/CLASS	SPECIAL INSTRUCTIONS
AIF-ID	1-2 ✓	2	"MU"
AIF - SSAN	3-11 ✓	9	Fake Numbers not Accepted
AIF-USER	12 -G	1	Agency Code B-N
AIF-ACTION	13 A	1	A=Add Applicant C=CHG Applicant
AIF-NAME	14-43 ✓	30	Use alpha characters ONLY. Do NOT use comas,hyphens or apostrophes. PLEASE use LAST NAME, FIRST NAME then A:MIDDLE INITIAL. IF there is a JR or II,or III PLACE IT AFTER THE MIDDLE INITIAL. USE FULL FIRST NAME, NOT A NICK NAME.
AIF - SEX	44 ✓	1	M-F
AIF - DOB	45-50 ✓	6	YYMMDD
AIF-SUB-ID	51-55	5	Use to identify a group in a special category. Call DODMERB to set up before using.
AIF-CYCLE-YR	56-57	2	YY
AIF-PHONE	58-67	10	
AIF-WD	68	1	W=Withdrawn ;=Delete Withdrawn
AIF-APPT	69	1	X=Offered Appt A=Accepted Appt D=Declined Appt L=Primary Alternate
AIF-ADRS1	70-99	30	Address 1
AIF-ADRS2	100-129	30	Address 2

RECORD LAYOUT			
FILE TITLE	RECORD TITLE		CLASSIFICATION
AGENCY-INPUT-FILE (CONT'D)	AGCY-RCD		RCS/PCN 248 Char Block 4
FILE DESCRIPTION	RECORD POSITIONS	TYPE/CLASS	SPECIAL INSTRUCTIONS
AIF-ADRS3	130-159	30	Address 3
AIF-ADRS4	160-189 ✓	30	City: If APO, FPO ADDRESS; PLACE THE APO OR FPO in CITY position; skip <u>one</u> space and put; the NY, SF, SEATTLE, OR MIAMI.
AIF-ADRS-ST	190-191 ✓	2	State ON OTHER OVERSEAS ADDRESSES: VI = VIRGIN ISLANDS; PR= PUERTO, on all others PLEASE USE "ZZ".
AIF-ADRS-ZIP	192-200 ✓	9	Zip: ON overseas address that you use the "ZZ" in state code, use "00000-0000" in ZIP position.
AIF-SPORT-CODE	201-205	5	As required.
FILLER	206-248	43	

30 SEPTEMBER 1984

ADUM 200-001

DODMERB TAPE TO PROGRAMS

Same 1983 New

FILE SPECIFICATIONS		CLASSIFICATION UNCLAS
FILE DESCRIPTIVE TITLE AGENCY MASTER FILE	STORAGE MEDIUM AND MODE 9 Track 1600 BPI TAPE	
FILE ORDER <u>UNLABELED</u> <u>ODD PARITY CHECK</u> <u>EBCDIC</u> Sequential by SSAN		
FILE ID D60EBI-*	RECORD LENGTH 300 Characters	BLOCKING FACTOR 5
RETENTION REQUIREMENTS 30 days		
REMARKS This tape file contains all applicants that are in DODMERB system for an agency. DODMERB will mail this tape to the agency as required. * D60EBI-B AIR FORCE ACADEMY C COAST GUARD ACADEMY D MILITARY ACADEMY E NAVAL ACADEMY F MERCHANT MARINE ACADEMY G AIR FORCE ROTC H ARMY ROTC I AIR FORCE CSP L NAVY/MARINE CORP ROTC N UNIVERSITY HEALTH SCIENCE		

RECORD LAYOUT			
FILE TITLE	RECORD TITLE	CLASSIFICATION	
AGENCY MASTER FILE	AMF-RCD-HD (RECORD - 1)	UNCLAS	
		RCS/PCN	
FILE DESCRIPTION	RECORD POSITIONS	TYPE/CLASS	SPECIAL INSTRUCTIONS
AMF-ZEROS	1-5	5N	Filler (Zeros)
AMF-DT-CREATED	6-10	5N	Date Tape Created (YYDDD) OR-145-VI
FILLER	11		
AMF-SA-ROTC-1	12	1AN	SA/ROTC-ID-Code SE-664-IX SA/ROTC First Occurs
AMF-SA-ROTC-2	13	1AN	SA/ROTC-ID-Code SE-664-IX SA/ROTC Second Occurs
AMF-SA-ROTC-1-RECS	14-19	6AN	Number of record for first SA/ROTC-ID- CO-801-XII
AMF-SA-ROTC-2-RECS	20-25	6AN	Number of record for second SA-ROTC-ID- CO-801-XII
FILLER	26-300	275	

RECORD LAYOUT			
FILE TITLE	RECORD TITLE	CLASSIFICATION	
AGENCY MASTER FILE	AMF-RCD-DATA	UNCLAS	
		RCS/PCN	
FILE DESCRIPTION	RECORD POSITIONS	TYPE/CLASS	SPECIAL INSTRUCTIONS
AMF-SSAN-APPL	1-9	9N	Social Sec #50-080-VI
AMF-NM-FULL	10-39	30AN	Name (Last, First, M) NA-449-VI
AMF-DT-DOB-APPL	40-45	6N	Date of Birth YYMMDD AD-770-VI
AMF-SEX-APPL	46	1A	F or M SE-930-VI
AMF-ADRS1	47-77	30AN	Address 1 ST-680-XII
AMF-ADRS2	78-107	30AN	Address 2
AMF-ADRS3	108-137	30AN	Address 3
AMF-ADRS4	138-167	30AN	City CI-755-XII
AMF-ST-CODE	168-169	2A	State Abbreviation ST-040-VI
AMF-ZIP	170-178	9N	Zip Code AD-159-XII
AMF-REORG-YR	179-180	2N	Year of New Cycle
AMF-MED-EXAM-TP	181	1A	T-Tested R-Rescheduled S-Scheduled ME-179-IX P-Previous Medical U-Unscheduled C-APPT. to call for appt
AMF-MED-EXAM-FCLTY	182-184	3N	Code of Examining Facility ME-187-IX
AMF-DT-MED-EXAM	185-190	6N	YYMMDD Date R-S-T-P-U AD-770-VI
AMF-HT-STG	191-194	4N	Height MA-720-VI
AMF-WT	195-197	3N	Weight MA-720-VI
AMF-VIS-ACUITY	198-200	3N	Greatest Visual Acuity VI-716-IX

AF FORM 1190 AUG 70 PREVIOUS EDITIONS ARE OBSOLETE.

RECORD LAYOUT			
FILE TITLE	RECORD TITLE	CLASSIFICATION	
AGENCY MASTER FILE (CONT'D)	AMF-RCD-DATA	UNCLAS	
		RCS/PCN	
FILE DESCRIPTION	RECORD POSITIONS	TYPE/CLASS	SPECIAL INSTRUCTIONS
AMF-RACE-APPL	201	1A	Minority Group Code
AMF-FTA-APPL	202	1A	F=Failed to appear for exam. FA=342-IX
AMG-PCM-1D	203-207	5AN	SP-207-II
FILLER	208-215	8AN	Space
AMF-AGCY-DATA-1	216-255	40AN	
AMF-AGCY-CODE	216	1A	Academy or ROTC Code SE-664-IX
AMF-MED-STS	217-218	2AN	Qualification ME-185-IX
AMF-MED-DISQUAL	219-233		Disqualification Codes
AMF-MED-DISQ	219-221	3N	Occurs 3 Times ME-184-IX
AMF-MED-REMEDIAL	234-248		Deferred remedial codes
AMF-MED-RMED	234-236	3N	Occurs 3 Times ME-184-IX
AMF-STS-WD	249	1A	W - Withdrawn SE-663-IX
AMF-STS-STS	250	1A	D - Declined Appt SE-663-IX X - Offered Appt A - Accepted Appt L - Primary Alternate U - Unsolicited
FILLER	251-255	5AN	
AMF-AGCY-DATA-2	256-295		Format same as AMF-AGCY-DATA-1 above. AMF-AGCY-DATA is used only for Marine Corp ROTC.
DLC	296-300	5N	Date of last change (YYDDD) OR 145-VI

LIST OF RRUF INQUIRIES

RRUF

- 001 Interview Ratings by Admin Unit
- 003 T-Status with no LOA
- 005 T-Status with no Medical Status by Alpha
- 006 T-Status with no Medical Status by Admin Det
- 007 T & E Status with no LOA (card to eliminate)
- 008 T & E Status with no LOA
- 009 A Status
- 010 A & L Status with no LOA
- 014 FYSP Medical Disqualified
- 015 L-Status with no Medical by Admin Unit
- 016 L-Status with no Medical by Alpha
- 017 Applicant Missing Basic Info by Alpha
- 018 Alternate by Rank Order
- 019 Alternates by Dets
- 020 Non-Tech Scholarship by Race
- 021 A & L Status with no LOA (card to eliminate)
- 022 Minority Below Finalist Criteria without Waiver
- 023 Overseas Winner - For Letter How to get Travel
- 024 Winner by Det
- 025 Overdue Interview
- 026 Need Waiver or EOI Applicants
- 027 Applicants who Receive Waivers by Race
- 028 Alternates by First Choice Major with Medicals
- 029 Minority Alternates
- 030 EOI Disqualified
- 031 Below 74.5% -EOI with Good Scores
- 032 Letter of Activation Authority by Det
- 033 Winner by Alpha
- 034 Alternates by Alpha
- 035 Winner & Alternate by Alpha - Used to Compare
- 036 Designees Without Medicals (Everyone in T-Status)
- 037 Alternates Without Medicals (Everyone in L-Status)
- 038 All Winners and Alternates
- 039 Alternates with Good Medicals by Det
- 040 Low SAT/ACT Test Scores
- 041 Incorrect Preference
- 043 Stats for Scheduling Medicals
- 044 JROTC Applicant by Alpha
- 045 Minorities with Min. SAT/ACT Scores
- 046 EOI with no other DQs (Number only)
- 047 "H" Status List
- 048 D Status Follow-Up Letters (no labels)
- 049 Alternates who Accepted Scholarship (Alpha by Det)
- 050 SAT and ACT Waiver (only run as check)
- 051 Alternates the Accept Scholarship by Status Date
- 052 "6YYY" Scholarship Offers
- 053 Applicant Without an ADCO (no Zip Code Match)
- 054 Special Status

- 055 Multiple Finalist DQ
- 056 State is not U.S. Postal Service Abbreviation (ID Foreign Country)
- 057 JROTC Scholarship Designees by Units
- 058 JROTC Scholarship Designees by ADCO
- 059 Statistical Study of Raising GPA to 2.8
- 061 JROTC Guaranteed Designees (Alpha)
- 063 Det Number Changes (Print List Needing Correction)
- 064 High Schools State not Postal Service Abbreviation
- 065 Misentered High Schools
- 067 Overdue Interviews by Alpha (Check Folder Before Sending Letter Based on #25)
- 068 CAP not a State Postal Service Abbreviation
- 070 Board Scoring Exercise by SAT
- 071 Board Scoring Exercise by ACT
- 072 Interview Rating by Admin Unit (like 001 with Parenthesis)
- 073 Designees and Alternates with no Interview
- 074 Alternates by Rank Order by Det (Can't be sent to Det as is)
- 078 ACT Worksheet
- 079 SAT Worksheet
- 080 Selection board Roster (SAT)
- 081 Selection Board Roster (ACT)
- 084 Minority Selection Board Roster (SAT) (for Board President)
- 085 Minority Selection Board Roster (ACT) (for Board President)
- 086 Supplemental Board Roster (SAT) (Check to make sure Board Scores entered)
- 087 Supplemental Board Roster (ACT) (Check to make sure Board Scores entered)
- 088 Presidents of Board Rosters (SAT)
- 089 Presidents of Board Rosters (ACT)
- 090 Generate All for Boards (8B Cards) Sorting by SAT then ACT
- 100 Names of Winners for Word Processing (Change Board #)
- 101 Board Scores (Run Everyday During Board)
- 102 Simulated Board Rank Roster (Run Everyday During Board) Use Last Day to Discuss Board Actions
- 103 Reject Board Scores that Don't End in 0-5
- 104 Scored by Board but not Finalist or Winner (Before Awards Program)
- 105 Alpha List of Applicants Without Scores (Use with #86 & #87)
- 106 Interview Rank by Det
- 107 Interview Rank by ADCO
- 108 DQ Cards (002) Change not to Include Minorities
- 109 Minority Scored by each Panel (Like #102)
- 110 H Status List
- 111 List of GO Applicants
- 112 People Met Board with Missing Info (Like #017)
- 113 T Status with 4IYY
- 114 H & L List
- 115 Card to DQ 002
- 118 "8L" Cards
- 119 Board Rank for all Minorities
- 120 Interview Recorded by not Designee or Finalist (Check for Inconsistencies)
- 121 Strange Interview Status
- 123 Alpha List for Minorities (Like #101)

180 Cumulative Roster of #80
181 Cumulative Roster of #81
184 Cumulative Roster of #84
185 Cumulative Roster of #85
210 Generates Cards to Put Academy Preference back in Column #3
231 C and H Medical List
320 Scholarship Winner Below Finalist Minimum
321 Alternate Below Finalist Minimum
691 "H" Cards to Make "Q"
700 Previously "H" Status and Now Winner
701 Deferred by Both Nov and Jan Board (Run Before Mar Board)
711 "H" Status Before Nov 002
720 Master Control Record
902 T or L for DODMERB
903 Black Four-Year Scholarship Winners by Alpha
909 Interview Rating by Status
911 Alternates by Rank
912 Board Qualified but...!
913 Applicants, Finalists, Designees and Alternates by Admin Unit
914 Applicants, Finalists, Designees and Alternates by Race
915 Applicants, Finalists, Designees and Alternates by JROTC Unit/OJT
916 Designees by Major by Race
917 Finalists scored by Board by Major and Race
919 All Finalists (By Race and First Choice Major)
924 Designees by Major by Sex
925 Alternates by Alpha
926 APO & FPO for Area Commandants
936 All Applicants Preferring any Det in PA (et Det 720 Request)
940 "Zip" Codes with 00100-00500
942 Applicants, Finalists, Designees and Alternates by ADCO Area
954 Finalists with Complete Interviews
987 Applicants with Class Size > 1000
989 Alternates without Interview by Det
997 "F" Status

JOT INQUIRY FORMATS

NUMBER 001

0150DTL 1 = "C" OR "H" AND 176 = "1" AND (154 = "85000" TO "85281" OR
0160DTL 129 = "85000" TO "851008")
0170PCD1MSL10,114/4,176/1,185/1
0180SORT 1,4,A
0190SIZES .10
0200HEADR CCT3,D,1S,N,1S,Y,10S,"INTERVIEW "
0210HEADR "RATINGS BY ADMIN UNIT",10S,"RRUF-001"
0220HEADR "ADMIN",3S,"MEAN",3S,"TOTAL",4S,"NUMBER OF EACH RATING AWARDED
HEADR "(AND PERCENT OF TOTAL)",15S,"JROTC"
0230HEADR CC02," UNIT",2S,"RATING",3S,"DONE ",5S,"5",12S,"4",12S,"3",12S,
HEADR 11S,"1",15S,"6"
0240CTL B1 = 1/4
0250IF02 6 = "5"
0260IF03 6 = "4"
0270IF04 6 = "3"
0280IF05 6 = "2"
0290IF06 6 = "1"
IF07 6 = "6"
0300CNTRS C1 = X, C2 = XIF02, C3 = XIF03, C4 = XIF04, C5 = XIF05, C6 = XIF06
CNTRS C7 = XIF07
03100COMP C8 = C2 + C3 + C4 + C5 + C6
COMP C9 = C2 * 100 / C8
COMP C10 = C3 * 100 / C8
COMP C11 = C4 * 100 / C8
COMP C12 = C5 * 100 / C8
COMP C13 = C6 * 100 / C8
COMP C14 = C2 * 5
COMP C15 = C3 * 4
COMP C16 = C4 * 3
COMP C17 = C5 * 2
COMP C18 = C14 + C15 + C16 + C17 + C6
COMP C19 = C18 * 10 / C8
COMP C20 = C2 * 1000 / C8
COMP C21 = C3 * 1000 / C8
COMP C22 = C4 * 1000 / C8
COMP C23 = C5 * 1000 / C8
COMP C24 = C6 * 1000 / C8
COMP C25 = C18 * 100 / C8
0320PPT11 1S,1/4,4S,C19E/3,3S,C8J/4,4S,C2A/3,1S,"(",C9A/3,"%)",2S,
PRT11 C3A/4,1S,"(",C10A/3,"%)",2S,
PRT11 C4A/4,1S,"(",C11A/3,"%)",3S,
PRT11 C5A/3,1S,"(",C12A/3,"%)",2S,
PRT11 C6A/3,1S,"(",C13A/3,"%)",7S,
PRT11 C7A/3
0330PPTF1 CC21,"TOTAL",3S,C25C/4,2S,C8J/5,3S,C2J/4,1S,"(",C20E/4,"%)",1S,
PRTF1 C3J/4,1S,"(",C21E/4,"%)",1S,
PRTF1 C4J/4,1S,"(",C22E/4,"%)",1S,
PRTF1 C5J/4,1S,"(",C23E/4,"%)",1S,
PRTF1 C6J/3,1S,"(",C24E/4,"%)",6S,
PRTF1 C7J/3

003

DTL 1 = "S" OR "E" OR "T" AND 144 = " " AND (206 = "E03" OR "E04"
 DTL OR (209 = "E03" OR "E04") OR (212 = "E03" OR "E04") OR
 DTL (215 = "E03" OR "E04") OR (218 = "E03" OR "E04")
 0170RCD1WSL14,2/9,11/27,1/1
 0180SORT 10,27,A
 0190SIZES ,14
 0200HEADR CCT2,1S,D,1S,N,1S,Y,10S,
 0220HEADR "DESIGNEES WITH NO LETTER OF ADMISSION",10S,"RRUF-003"
 0230CNTRS C1 = X
 0260PRT01 CC11,1/9,3S,10/27,3S,37/1
 0270PRTF1 CC11,"TOTAL ==> ",C1J/5

005

0140DTL 1 = "T" AND 118 = " "
 0170RCD1WSL20,11/27,38/20,58/15,73/2,75/5,81/10,114/4,179/1,99/4,144/5,15
 0180SORT 1,27,A
 0190SIZES ,20
 0200HEADR CCT2,"PREPARED ",1S,D,1S,N,1S,Y,20S,"T STATUS WITH NO MEDICAL
 0220HEADR "STATUS -- BY ALPHA",20S,"RRUF-005"
 0230CNTRS C1 = X
 0260PRT01 CC11,1/27,3S,28/20,3S,48/15,3S,63/2,3S,65/5,3S,70/10,3S,
 0261PRT01 80/4,3S,84/1,3S,85/4,3S,89/5,3S,94/5
 0270PRTF1 CC11,"TOTAL ==> ",C1J/5

006

0140DTL 1 = "T" AND 118 = " "
 0170RCD1WSL20,11/27,38/20,58/15,73/2,75/5,81/10,114/4,179/1,99/4,144/5,15
 0180SORT 80,4,A, 1,27,A
 0190SIZES ,20
 0200HEADR CCT2,"PREPARED ",1S,D,1S,N,1S,Y,20S,"T STATUS WITH NO MEDICAL
 0220HEADR "STATUS -- BY ADMIN DET",20S,"RRUF-006"
 0225CTL B1 = 80/4
 0230CNTRS C1 = X
 0260PRT01 CC11,1/27,3S,28/20,3S,48/15,3S,63/2,3S,65/5,3S,70/10,3S,
 0261PRT01 80/4,3S,84/1,3S,85/4,3S,89/5,3S,94/5
 0265PRT11 CC2T,"TOTAL = ",C1J/5
 0270PRTF1 CC11,"TOTAL ==> ",C1J/5

007

0140DTL (1 = "E") OR (1 = "T" AND 144 = " ")
 0170RCD1WSL3,2/14
 0180SORT 10,5,A
 0190SIZES ,3
 0200HEADR CCT2,"PREPARED ",1S,D,1S,N,1S,Y,10S,
 0220HEADR "CARDS TO DO FOR NO LOA -- WINNERS",10S,"RRUF-007"
 0225HEADR CC11,"12345678901234567890"
 0230CNTRS C1 = X
 0260PRT01 CC11,"TL",1/14,"AE04",600
 0270PRTF1 CC11,"TOTAL ==> ",C1J/5

008

0180DTL 1 = "E" OR "T" AND 144 = " "
 0190RCD1WSL10,2/14
 0200SORT 10,5,A
 0210SIZES ,10
 0220RCD01 L14,Y"LABEL", "TL",1/14,"AE04",600

DTL 1 = "A"
 0170PCD1MSL 8,2/9,11/27,306/4,1/1
 0180SORT 10,27,A
 0190SIZES ,8
 0200HEADR CCT2,D,1S,N,1S,Y,15S,"ALTERNATES (AND MEDICALLY DO ALTERNAT:
 0210HEADR "WITH NO LETTER OF ADMISSION",15S,"RRUF-009"
 0220HEADR CC11"SSAN",10S,"NAME",23S,"ALT#",3S,"STATUS"
 0300CNTRS C1 = X
 0330PRT01 CC11,1/9,5S,10/27,37/4,5S,41/1
 0350PRTF1 CC22,"TOTAL ==> ",01J/5

Ø1Ø

0180DTL 1 = "A" OR "L" AND 144 = " "
 0190PCD1MSL 10,2/14
 0200SORT 10,5,A
 0210SIZES ,10
 0220PCD01 L14,"LABEL",7L",1/14,"AE03",60()

Ø14

DTL 1 = "C"
 PCD1MSL 20,2/9,11/27,1/1,181/1,345/1,129/6,118/2,179/1,169/5,208/3,209/3,
 PCD1MS 212/3,215/3,218/3,329/1,335/1,326/3,144/5
 SORT 10,27,A
 SIZE ,20
 HEADR CCT2,D,1S,N,1S,Y,15S,"MEDICAL DISQUALIFICATIONS",
 HEADR 15S,"RRUF-014"
 HEADR CC11,"SSAN",7S,"NAME",25S,"SCHOL STATUS STATUS",
 HEADR 3S,"MED/ MED DISQ DISQ DISQ DISQ DISQ BOARD DET"
 HEADR 40S,"CUR PRE PRI CHG DT FTA DO DT 1 2 3",
 HEADR 5S,"4 5 RESULTS ADMIS"
 CNTRS C1 = X
 PRT01 1/9,2S,10/27,2S,37/1,4S,38/1,4S,39/1,4S,40/6,3S,46/2,1S,48/1,3
 PRT01 49/5,3S,54/3,3S,57/3,3S,60/3,3S,63/3,3S,66/3,3S,69/1,1S,70/1,1
 PRT01 71/3,2S,74/5
 PRTF1 CC31,"TOTAL ==> ",01J/5

Ø15

0110DTL 1 = "L" AND 118 = " "
 0170PCD1MSL 20,11/27,38/20,58/15,73/2,75/5,81/10,114/4,179/1,99/4,144/5,15
 0180SORT 80,4,A, 1,27,A
 0190SIZES ,20
 0200HEADR CCT2,"PREPARED ",1S,D,1S,N,1S,Y,20S,"L STATUS WITH NO MEDICA
 0220HEADR "STATUS -- BY ADMIN DET",20S,"RRUF-015"
 0225CTL B1 = 80/4
 0230CNTRS C1 = X
 0260PRT01 CC11,1/27,3S,28/20,3S,48/15,3S,63/2,3S,65/5,3S,70/10,3S,
 0261PRT01 80/4,3S,84/1,3S,85/4,3S,89/5,3S,94/5
 0265PRT11 CC2T,"TOTAL = ",01J/5
 0270PRTF1 CC11,"TOTAL ==> ",01J/5

0140DTL 1 = "L" AND 118 = " "
 0170RCD1MSL20, 11/27, 38/20, 58/15, 73/2, 75/5, 81/10, 114/4, 179/1, 99/4, 144/5, 159/
 0180SORT 1, 27, A
 0190SIZE ,20
 0200HEADA CCT2, "PREPARED ", 1S, D, 1S, N, 1S, Y, 20S, "L STATUS WITH NO MEDICAL
 0220HEADA "STATUS -- BY ALPHA", 20S, "RRUF-016"
 0230CNTRS C1 = X
 0260PRT01 CC11, 1/27, 3S, 28/20, 3S, 48/15, 3S, 63/2, 3S, 65/5, 3S, 70/10, 3S,
 0261PRT01 80/4, 3S, 84/1, 3S, 85/4, 3S, 89/5, 3S, 94/5
 0270PRTF1 CC11, "TOTAL ==> ", C1J/5

017

130DTL 1 - "0" AND
 140DTL (80 = "2" OR 99 = " " OR 81 = " " OR
 150DTL 92 = " " OR 91 = " " OR 98 = " " OR
 160DTL 236 = " " OR 186 = " ")
 170RCD1MSL20, 2/9, 11/27, 1/1, 80/1, 99/4, 81/10, 92/6, 91/1, 98/1, 278/3, 351/3, 314/1
 180RCD1MS 236/4, 186/4, 190/4, 206/3, 209/3, 212/3, 215/3, 218/3
 190SORT 10, 27, A
 200SIZE ,20
 210HEADA CCT2, "DATE ", D, 1S, N, 1S, Y, 10S, "APPLICANTS MISSING BASIC INFORM
 220HEADA "ATION", 10S, "RRUF-017"
 230HEADB CC11, "SSAN", 7S, "NAME", 23S, "STAT ACAD DET TELEPHONE BIRTH
 240HEADB " SEX/ GPA OR SAT/ HIGH ACADEMIC DISQUALIFICATIONS"
 250HEADC 44S, "WAIV PREF", 15S, "DAY RACE CLASS% ACT SCH MAJORE
 260HEADD 44S, "(18) (19) (37) (47) (63) (65,8) (18) "
 270HEADD "(70) (7U) (7L) "
 280HEADE " "
 300CNTRS C1 = X
 310PRT01 1/9, 2S, 10/27, 2S, 37/1, 4S, 38/1, 4S, 39/4, 2S, 43/10, 2S, 53/6, 2S, 59/1,
 320PRT01 2S, 60/1, 2S, 61/6, 3S, 67/1, 4S, 68/4, 2S, 72/4, 1S, 76/4, 2S, 80/3,
 330PRT01 1S, 83/3, 1S, 86/3, 1S, 89/3, 1S, 92/3
 340PRT02 " "
 350PRTF1 "A '2' FOR THE WAIVER CODE MEANS THAT THE 7B CARD WAS NOT RUN;
 360PRTF1 "IF YOU ENTER THE MISSING DATA WITH A 76 CARD INSTEAD "
 370PRTF2 "OF THE 7B, ENTER THE APPROPRIATE WAIVER CODE OF '1' OR '3' "
 380PRTF2 "TO REMOVE THE APPLICANT FROM THIS LIST."
 390PRTF3 CC11, "TOTAL =", C1J/5

018

0140DTL 1 = "L"
 0150RCD1MSL20, 306/4, 330/4, 2/9, 11/27, 186/4, 190/4, 99/4, 144/5, 73/2, 118/2, 179/1,
 0160RCD1MS 91/1, 98/1, 129/6, 181/1, 345/1, 114/4, 159/5, 164/5, 346/5
 0170SORT 1, 4, A
 0180SIZE ,20
 0190HEADA CCT2, D, 1S, N, 1S, Y, 15S, "ALTERNATES IN RANK ORDER",
 0200HEADA 15S, "RRUF-018"
 0210HEADB CC11, "ALT BD SSAN NAME", 24S, "ACADEMIC DETACHMENT"
 0220HEADB 2S, "ST MED/ SEX/ STATUS PRE/ ADMIN MED FIRST FUTURE"
 0240HEADC "RANK RANK", 40S, "PREFERENCE PREF ADMIS FTA RACE CHG"
 0250HEADC 1S, "DT PRI DET CARDS EXAM EXAM"
 0260CNTRS C1 = X
 0270PRT01 CC11, 1/4, 2S, 5/4, 2S, 9/9, 2S, 18/27, 1S, 45/4, 1S, 49/4, 2S, 53/4, 1S, 57/5,
 0280PRT01 62/2, 2S, 64/3, 1S, 66/1, 2S, 67/1, 2S, 68/1, 2S, 69/6, 2S, 75/1, 2S, 76/1,
 0290PRT01 77/4, 2S, 81/5, 2S, 86/5, 2S, 91/5
 0300PRTF1 CC31, "TOTAL = ", C1J/4

0140DTL (1 = "A" OR "L") AND (144 = " ")
 0150RCD1M3L20, 306/4, 330/4, 2/9, 11/27, 186/4, 190/4, 99/4, 144/5, 73/2, 118/2, 179/1
 0160RCD1WS 91/1, 98/1, 129/6, 181/1, 345/1, 114/4, 159/5, 164/5, 346/5, 1/1
 SORT 53, 4, A, 96, 1, A, 1, 4, A
 0180SIZE ,20
 0190HEADA CCT2, "DATE ", D, 1S, N, 1S, Y, 15S, "BY DET, STATUS, AND ALT:",
 0200HEADA 15S, "RRUF-019"
 0210HEADB CC11, "ALT BD SSAN NAME", 24S, "ACADEMIC DETACHMENT
 0220HEADB 2S, "ST MED/ SEX/ STATUS PRE/ ADMIN MED FIRST FUTURE
 0240HEADC "RANK RANK", 40S, "PREFERENCE PREF ADMIS FTA RACE CHG
 0250HEADC 1S, "DT PRI DET CARDS EXAM EXAM"
 0255CTL B1 = 53/4
 0260CNTRS C1 = X
 0270PRT01 CC11, 1/4, 2S, 5/4, 2S, 9/9, 2S, 18/27, 1S, 45/4, 1S, 49/4, 2S, 53/4, 1S, 57/5,
 0280PRT01 62/2, 2S, 64/2, 1S, 66/1, 2S, 67/1, 2S, 68/1, 2S, 69/6, 2S, 75/1, 2S, 76/1,
 0290PRT01 77/4, 2S, 81/5, 2S, 86/5, 2S, 91/5
 0300PRT11 53/4, " TOTAL ==> ", C1J/5
 0310PRTF1 "ROTC TOTAL ==> ", C1J/5

020

0140DTL (322 = "1" OR "3" OR "9", OR (322 = "2B" OR "3C")
 0150RCD1M3L28, 1/1, 91/1, 11/27, 81/10, 2/9, 289/4, 314/1, 281/4, 285/4, 351/3, 186/4, 99
 0160RCD1WS 144/5, 118/2, 125/4, 322/4, 98/1, 38/20, 58/15, 73/2, 75/5, 293/2, 310/2,
 0170RCD1WS 278/3, 190/4, 114/4, 185/1, 206/15
 0180SORT 88, 1, A, 84, 4, A, 3, 27, A
 0190SIZE ,28
 0200HEADA CCT2, D, 1S, N, 1S, Y, 15S, "NON-TECH SCHOLARSHIPS BY RACE BY",
 0210HEADA " MAJOR", 15S, "RRUF-020"
 0220HEADB CC11, "STA- SEX NAME", 25S, "TELEPHONE SSAN *CEEB SAT=0",
 0230HEADB 4S, "H.S. CLASS ACADEMIC DETACHMENT MED ADDC SCHOL"
 0240HEADC "TUS", 58S, "SCORE ACT=1 RANK/SIZE/%ILE CHOICES PREF",
 0250HEADC " ADMIS", 16S, "MAJOR"
 0260HEADD 92S, "(FIRST)"
 0270HEADE 3S, "RACE STREET", 16S, "CITY", 13S, "ST ZIP", 6S, "MATH VERB GP
 0280HEADE " (A=4.00) (SECOND) ADMIN--INT DISQUALIFICATIONS"
 0290CTL B1 = 88/1
 0300CNTRS C1 = X
 0310PRT01 CC21, 1S, 1/1, 4S, 2/1, 3S, 3/27, 2S, 30/10, 2S, 40/9, 2S, 49/4, 4S, 53/1, 4S,
 0320PRT01 54/4, 1S, 58/4, 1S, 62/2, ". ", 64/1, 4S, 65/4, 4S, 69/4, 1S, 73/5, 3S, 78/2,
 0330PRT01 2S, 80/4, 6S, 84/4
 0340PRT02 4S, 88/1, 5S, 89/20, 2S, 109/15, 2S, 124/2, 2S, 126/5, 5S, 131/2, 4S, 133/2,
 0350PRT02 4S, 135/1, ". ", 136/2, 14S, 138/4, 4S, 142/4, 3S, 146/1, 4S, 147/3, 1S,
 0355PRT02 150/3, 1S, 153/3, 1S, 156/3, 1S, 159/3
 0370PRT11 CC11, "TOTAL ", 88/1, " ==> ", C1J/5
 0380PRTF1 CC11, "* CEEB SCORE IS SAT MATH + VERBAL (0400-1600) OR ACT"
 0390PRTF1 " COMPOSITE", " (1-36) CONVERTED TO SAT TOTAL (USING WPSS ",
 0400PRTF1 "CONVERSION CHART)."
 PRTF2 CC11, "TOTAL = ", C1J/4

021

0150DTL 1 = "A" OR "L" AND 144 = " "
 0170RCD1M3L3, 2/9, 11/27
 0180SORT 10, 5, A
 0190SIZE ,8
 0200HEADA CCT2, "DATE ", D, 1S, N, 1S, Y, 15S, "CARDS TO DO FOR NO LOR - ALTERNATE
 0210HEADA 15S, "RRUF-021"
 0220HEADB CC11, 2S, "SSAN", 5S, "NAME"
 0230CNTRS C1 = X
 0240PRT01 CTL, 1, 14, "RE03"
 0250PRTF1 CC22, "TOTAL ==> ", C1J/5

Ø22

DTL 98 = "N" OR "X" AND (278 = "000" TO "249" OR 351 = "000" TO "244")
DTL AND 80 = "1"
RCD1MSL15,2/36,98/1,1/1,278/3,351/3,289/4,293/2,310/2,206/15,129/6
SORT 37,1,A,10,27,A
SIZE .15
HEAD1 CCT2,D,1S,N,1S,Y,15S,"MINORITIES BELOW 74.5 %ILE OR",
HEAD1 " 2.5 GPA WITH NO WAIVER",15S,"RRUF-022"
HEADB CC11,"SSAN",8S,"NAME",24S,"RACE STAT GPA%ILE CEEB MATH",
HEADB " VERB DISQUALIFICATIONS CHG-DATE"
CTL #1 = 37/1
CNTRS C1 = X
PRT01 CC11,1/9,3S,10/27,3S,37/1,5S,38/1,5S,39/1,".",40/2,42/2,".",44/1,
PRT01 45/4,4S,49/2,5S,51/2,4S,53/3,1S,56/3,1S,59/3,1S,62/3,1S,65/3,3S,68
PRT01 1S,70/2,1S,72/2
PRT11 CC22,"TOTAL ",37/1," = ",C1J/4
PRTF1 CC21,"TOTAL ==> ",C1J/5

Ø23

Ø140DTL (1 = "S" OR "T" OR "E") AND (75 = "000" TO "009" OR "090" TO
Ø145DTL "098" OR "340" OR "962" TO "969" OR "987" OR "995" TO "999")
Ø150RCD1MSL28,1/1,91/1,11/27,81/10,2/9,289/4,314/1,281/4,285/4,351/3,186/4,99
Ø160RCD1MS 144/5,118/2,125/4,322/4,98/1,38/20,58/15,73/2,75/5,293/2,310/2,
Ø170RCD1MS 278/3,190/4,114/4,185/1,206/15
Ø180SORT 126,5,A,124,2,A
Ø190SIZE .28
Ø200HEAD1 CCT2,D,1S,N,1S,Y,15S,"OVERSEAS FOUR-YEAR DESIGNEES",
Ø210HEAD1 15S,"RRUF-023"
Ø220HEADB CC11,"STA- SEX NAME",25S,"TELEPHONE SSAN *CEEB SAT=0",
Ø230HEADB 4S,"H.S. CLASS ACADEMIC DETACHMENT MED ADD SCHOL"
Ø240HEADC "TUS",58S,"SCORE ACT=1 RANK/SIZE/%ILE CHOICES PREF",
Ø250HEADC " ADMIS",16S,"MAJOR"
Ø260HEADD 92S,"(FIRST)"
Ø270HEADE 3S,"RACE STREET",16S,"CITY",13S,"ST ZIP",6S,"MATH VERB GP
Ø280HEADE " (A=4.00) (SECOND) ADMIN--INT DISQUALIFICATIONS"
Ø300CNTRS C1 = X
Ø310PRT01 CC21,1S,1/1,4S,2/1,3S,3/27,2S,30/10,2S,40/9,2S,49/4,4S,53/1,4S,
Ø320PRT01 54/4,1S,58/4,1S,62/2,".",64/1,4S,65/4,4S,69/4,1S,73/5,3S,78/2,
Ø330PRT01 2S,80/4,6S,84/4
Ø340PRT02 4S,88/1,5S,89/20,2S,109/15,2S,124/2,2S,126/5,5S,131/2,4S,133/2,
Ø350PRT02 4S,135/1,".",136/2,14S,138/4,4S,142/4,3S,146/1,4S,147/3,1S,
Ø355PRT02 150/3,1S,153/3,1S,156/3,1S,159/3
Ø370PRTF1 CC31,"TOTAL ==> ",C1J/4

0140DTL 1 = "S" OR "E" OR "T"
0150PCD1MSL28, 1/1, 91/1, 11/27, 81/10, 2/9, 289/4, 314/1, 281/4, 285/4, 351/3, 186/4, 99
0160RCD1WS 144/5, 118/2, 125/4, 322/4, 98/1, 38/20, 58/15, 73/2, 75/5, 293/2, 310/2,
0170RCD1WS 278/3, 190/4, 114/4, 185/1, 206/15
0180SORT 69, 4, A, 3, 27, A
0190SIZE ,28
0200HEADR CCT2, "DATE ", D, 1S, N, 1S, Y, 10S, "PAGE ", P 10S, "WINNERS BY DET",
0210HEADR 15S, "RRUF-024"
0220HEADR CC11, "STA- SEX NAME", 25S, "TELEPHONE SSAN *CEEB SAT=0",
0230HEADR 4S, "H.S. CLASS ACADEMIC DETACHMENT MED AIDC SCHOL"
0240HEADR "TUS", 58S, "SCORE ACT=1 RANK/SIZE/%ILE CHOICES PREF",
0250HEADR " ADMIS", 15S, "MAJOR"
0260HEADR 92S, "(FIRST)"
0270HEADR 3S, "RACE STREET", 16S, "CITY", 13S, "ST ZIP", 6S, "MATH VERB GP
0280HEADR " (A=1, 00) (SECOND) ADMIN--INT DISQUALIFICATIONS"
HEADR " "
0290CTL B1 = 69/4
0300CNTRS C1 = X
0310PRT01 CC11, 1S, 1/1, 4S, 2/1, 3S, 3/27, 2S, 30/10, 2S, 40/9, 2S, 49/4, 4S, 53/1, 4S,
0320PRT01 54/4, 1S, 58/4, 1S, 62/2, ". ", 64/1, 4S, 65/4, 4S, 69/4, 1S, 73/5, 3S, 78/2,
0330PRT01 2S, 80/4, 5S, 84/4
0340PRT02 4S, 88/1, 5S, 89/20, 2S, 109/15, 2S, 124/2, 2S, 126/5, 5S, 131/2, 4S, 133/2,
0350PRT02 4S, 135/1, ". ", 136/2, 14S, 138/4, 4S, 142/4, 3S, 146/1, 4S, 147/3, 1S,
0355PRT02 150/3, 1S, 153/3, 1S, 156/3, 1S, 159/3
0360PRT03 " "
0370PRT11 CC2T, "TOTAL ", 69/4, "=" , C1J/5
0410PRTF1 CC22, "GRAND TOTAL" => " , C1J/5

Ø25

DIL 1 = "C" AND 176 - "1"
DTL AND 129 = "850601" TO "850901"
PCD1MSL8, 114/4, 139/5, 2/9, 11/27
SORT 1, 4, A, 19, 27, A
SIZE ,8
HEADR CCT2, D, 1S, N, 1S, Y, 25S, " OVERDUE INTERVIEWS", 25S, "RRUF-025"
HEADR CC11, "AFROTC DET ", 1/4, " OVERDUE FOUR-YEAR SCHOLARSHIP INTERVIEWS"
HEADR " "
HEADR "FIRST DATE SSAN", 9S, "FINALIST NAME", 17S, "INDICATE REASON WHY"
HEADR " FINALIST SHOULD BE DISQUALIFIED (EG, ACCEPTED ARMY ROTC"
HEADR "ON ROSTER", 47S, "SCHOLARSHIP, DID NOT RESPOND TO LETTER AND PHONE"
HEADR " CALL) OR DATE OF INTERVIEW."
CTL B1 = 1/4
CNTRS C1 = X
PRT01 CC11, 2S, 5/5, 6S, 10/9, 4S, 19/27
PRT11 CC22, "DET ", 1/4, " TOTAL = ", C1J/4
PRT12 CC11, "DATE IS YEAR AND JULIAN DAY THAT THE APPLICANT FIRST ",
PRT12 "APPEARED ON YOUR ADMINISTRATIVE DETACHMENT ACTION ROSTER (ADAR).
PRT13 CC1T, "THE FIRST ADAR WAS MAILED IN EARLY JULY."
PRTF1 CC21, "GRAND TOTAL (CONUS + HAWAII) = ", C1J/4

026

DTL (278 = "000" TO "249" OR 351 = "000" TO "744") AND
 DTL 80 - "1" AND 206 - "E01" AND 209 - "E01" AND
 DTL 212 - "E01" AND 215 - "E01" AND 218 - "E01"
 RCD1MSL15,2/36,1/1,98/1,278/3,351/3,289/4,293/2,310/2,206/15,129/6,114/4,
 RCD1MS 185/1
 SORT 10,27,A
 SIZE ,15
 HEAD1 CCT2,D,1S,N,1S,Y,15S,"BELOW 74.5 %ILE OR",
 HEAD2 " 2.5 GPA WITH NO WAIVER AND NO E01",10S,"RRUF-026"
 HEAD3 CC11,"SSAN",8S,"NAME",24S,"STAT RACE GPA%ILE CEEB MATH",
 HEAD4 " VERB DISQUALIFICATIONS CHG-DT ADMIN INTER"
 CNTR5 C1 = X
 PRT01 CC11,1/9,3S,10/27,3S,37/1,5S,38/1,5S,39/3,1S,42/3,4S,45/4,4S,49/2
 PRT01 5S,51/2,4S,53/3,1S,56/3,1S,59/3,1S,62/3,1S,65/3,3S,68/6,4S,74/4
 PRT01 4S,78/1
 PRTF1 cc20,"ROTC TOTAL ==> ",C1J/4

027

DTL 80 = "1"
 RCD1MSL15,2/36,98/1,1/1,278/3,351/3,289/4,293/2,310/2,206/15,129/6,114/4
 SORT 37,1,A,10,27,A
 SIZE ,15
 HEAD1 CCT2,D,1S,N,1S,Y,25S,"CLASS STANDING OR GPA WAIVER",
 HEAD2 25S,"RRUF-027"
 HEAD3 CC11,"SSAN",8S,"NAME",24S,"RACE STAT GPA%ILE CEEB MATH",
 HEAD4 " VERB DISQUALIFICATIONS CHG-DT ADMIN"
 CTL B1 = 37/1
 CNTR5 C1 = X
 PRT01 1/9,3S,10/27,3S,37/1,5S,38/1,5S,39/3,1S,42/3,4S,45/4,4S,49/2,
 PRT01 5S,51/2,4S,53/3,1S,56/3,1S,59/3,1S,62/3,1S,65/3,3S,68/6,4S,74/4
 PRT11 cc22,"TOTAL ",37/1," = ",C1J/4
 PRTF1 cc21,"TOTAL ==> ",C1J/5

028

0140DTL 1 = "A" AND 144 - " " AND ((196 = "OCBY" OR "4AYY" OR
 0141DTL "4BY" OR "4EY" OR "4HY" OR "4IY" OR "4LY" OR "4MY" OR
 0142DTL "4OY" OR "6YYY" OR "8FYY") OR (190 = "OCBY" OR "4AYY" OR
 0143DTL "4BY" OR "4EY" OR "4HY" OR "4IY" OR "4LY" OR "4MY" OR
 0144DTL "4OY" OR "6YYY" OR "8FYY"))
 0150RCD1MSL20,306/4,330/4,2/9,11/27,186/4,190/4,99/4,144/5,73/2,118/2,179/1,
 0150RCD1MS 91/1,98/1,129/6,181/1,345/1,114/4,159/5,164/5,346/5
 0170SORT 45,4,A,1,4,A
 0180SIZE ,20
 0190HEAD1 CCT2,"DATE ",D,1S,N,1S,Y,15S,"GOOD ALTERNATES",
 0200HEAD2 15S,"RRUF-028"
 0210HEAD3 CC11,"ALT BD SSAN NAME",24S,"ACADEMIC DETACHMENT"
 0220HEAD4 2S,"ST MED/ SEX/ STATUS PRE/ ADMIN MED FIRST FUTURE"
 0240HEAD5 "RANK RANK",40S,"PREFERENCE PREF ADMIS FTA RACE CHG"
 0250HEAD6 1S,"DT PRI DET CARDS EXAM EXAM"
 0255CTL B1 = 45/4
 0260CNTR5 C1 = X
 0270PRT01 CC11,1/4,2S,5/4,2S,9/9,2S,18/27,1S,45/4,1S,49/4,2S,53/4,1S,57/5,
 0280PRT01 62/2,2S,64/2,1S,66/1,2S,67/1,2S,68/1,2S,69/6,2S,75/1,2S,76/1,3
 0290PRT01 77/4,2S,81/5,2S,86/5,2S,91/5
 0295PRT11 45/4," TOTAL ==> ",C1J/4
 0300PRTF1 "ROTC TOTAL ==> ",C1J/5

0140DTL 1 = "A" OR "L" AND 98 = "N" OR "K"
 0150PCD1MSL20,306/4,330/4,2/9,11/27,186/4,190/4,99/4,144/5,73/2,118/2,179/1,
 0160PCD1MS 91/1,98/1,129/6,181/1,345/1,114/4,159/5,164/5,346/5
 0170SORT 1,4,A
 0180SIZE ,20
 0190HEADA CCT2,D,1S,N,1S,Y,15S,"MINORITY ALTERNATES",
 0200HEADA 15S,"RRUF-029"
 0210HEADB CC11,"ALT BD SSAN NAME",24S,"ACADEMIC DETACHMENT",
 0220HEADB 2S,"ST MED/ SEX/ STATUS PRE/ ADMIN MED FIRST FUTURE",
 0240HEADC "RANK RANK",40S,"PREFERENCE PREF ADMIS FTA RACE CHG",
 0250HEADC 1S,"DT PRI DET CARDS EXAM EXAM"
 0260CNTRS C1 = X
 0270PRT01 CC11,1/4,2S,5/4,2S,9/9,2S,18/27,1S,45/4,1S,49/4,2S,53/4,1S,57/5,3
 0280PRT01 62/2,2S,64/2,1S,66/1,2S,67/1,2S,68/1,2S,69/6,2S,75/1,2S,76/1,30
 0290PRT01 77/4,2S,81/5,2S,86/5,2S,91/5
 0300PRTF1 cc31,"TOTAL ==> ",C1J/4

Ø30

DTL 206 = "E01" OR 209 = "E01" OR
 DTL 212 = "E01" OR 215 = "E01" OR 218 = "E01"
 PCD1MSL15,2/36,98/1,1/1,278/3,351/3,289/4,293/2,310/2,206/15,129/6,114/4,80/
 SORT 78,1,A,37,1,A,10,27,A
 SIZE ,15
 HEADA CCT2,D,1S,N,1S,Y,15S,"E01 DISQUALIFICATIONS (SORTED BY WAIVER ",
 HEADA "CODE AND RACE)",15S,"RRUF-030"
 HEADB CC11,"SSAN",8S,"NAME",24S,"RACE STAT GPA/%ILE CEEB MATH",
 HEADB " VERB DISQUALIFICATIONS CHG-DT ADMIN WAIVER"
 CTL B1 = 37/1, B2 = 78/1
 CNTRS C1 = X
 PRT01 CC10,1/9,3S,10/27,3S,37/1,5S,38/1,5S,39/1,".",40/2,42/2,".",44/1,3s,
 PRT01 45/4,4s,49/2,5s,51/2,4S,53/3,1S,56/3,1S,59/3,1S,62/3,1S,65/3,3S,68/6
 PRT01 4s,74/4,5s,78/1
 PRT11 cc22,"TOTAL ",37/1," = ",c1J/4
 PRT21 cc22,"TOTAL WAIVER CODE ",78/1," = ",c1J/4
 PRTF1 cc21,"POTC TOTAL ==> ",C1J/5

Ø31

DTL 1 = "0" AND (206 = "E01" OR 209 = "E01" OR 212 = "E01" OR
 DTL 215 = "E01") AND 289 = "1000" TO "9999" AND 293 = "50" TO
 DTL "99" AND 310 = "45" TO "99" AND 314 = "0"
 PCD1MSL15,2/36,98/1,1/1,278/3,351/3,289/4,293/2,310/2,206/15,129/6,114/4
 SORT 10,27,A
 SIZE ,15
 HEADA CCT2,D,1S,N,1S,Y,15S,"BELOW 74.5 %ILE OR",
 HEADA "E01 DISQUALIFIED WITH GOOD SCORES",10S,"RRUF-031"
 HEADB CC11,"SSAN",8S,"NAME",24S,"RACE STAT GPA/%ILE CEEB MATH",
 HEADB " VERB DISQUALIFICATIONS CHG-DT ADMIN"
 CNTRS C1 = X
 PRT01 CC11,1/9,3S,10/27,3S,37/1,5S,38/1,5S,39/3,1S,42/3,4S,45/4,4S,49/2
 PRT01 50,51/2,4S,53/3,1S,56/3,1S,59/3,1S,62/3,1S,65/3,2S,68/6,4S,74/4
 PRTF1 cc20,"POTC TOTAL ==> ",C1J/4

Ø32

DTL 1 = "S" AND 129 = "850724" TO "850822" AND 181 - "C"
 DTL OR "A" OR "L"
 RCD1MSL18, 2/36, 99/4, 322/4
 SORT 10, 27, A
 SIZE , 18
 HEADR CCT2, "DATE ", D, 1S, N, 1S, Y, 15S, "LETTERS OF ACTIVATION AUTHORITY",
 HEADR 10S, "RRUF-032"
 HEADB CC11, "SSAN NAME", 26S, "UNIT", 3S, "DCF"

HEADB
 CNTRS C1 = X
 PRT01 CC11, 1/9, 3S, 10/27, 3S, 37/4, 3S, 41/4, 27S
 PRT01 7S
 PRTF1 CC22, " ROTC GRAND TOTAL ==> ", C1J/5

Ø33

DTL 1 = "S" AND 129 = "850717" TO "850910"
 RCD1MSL20, 2/78, 81/10, 144/5
 SORT 89, 3, A, 10, 27, A
 SIZE , 20
 HEADR CCT2, D, 1S, N, 1S, Y, 25S, "AFROTC WINNERS (BY DET)",
 HEADR 25S, "RRUF-033"
 HEADB CC11, "SSAN NAME", 25S, "STREET", 17S, "CITY", 14S, "ST ZIP", 7S
 HEADB "TELEPHONE", 7S, "DET", 1S, "DF", 1S, "PREF"
 CTL B1 = 89/3
 CNTRS C1 = X
 PRT01 CC11, 1/9, 3S, 10/27, 2S, 37/20, 3S, 57/15, 3S, 72/2, 3S, 74/5, 5S, 79/3, 1S, 82
 PRT01 "- ", 85/4, 7S, 89/5
 PRT11 CC2T, "DET ", 89/3, " ", C1J/4
 PRTF1 CC22, "TOTAL ==> ", C1J/4

Ø34

DTL 1 = "A"
 RCD1MSL15, 2/78, 81/10
 SORT 10, 27, A
 SIZE , 15
 HEADR CCT2, D, 1S, N, 1S, Y, 25S, "AFROTC ALTERNATES (ALPHA)",
 HEADR 25S, "RRUF-034"
 HEADB CC11, "SSAN NAME", 25S, "STREET", 17S, "CITY", 14S, "ST ZIP", 7S
 HEADB "TELEPHONE"
 CNTRS C1 = X
 PRT01 CC11, 1/9, 3S, 10/27, 2S, 37/20, 3S, 57/15, 3S, 72/2, 3S, 74/5, 5S, 79/3, 1S, 82
 PRT01 "- ", 85/4
 PRTF1 CC22, "TOTAL ==> ", C1J/4

Ø35

DTL 1 = "L"
 RCD1MSL16, 2/78, 81/10, 144/5, 1/1
 SORT 10, 27, A
 SIZE , 16
 HEADR CCT2, D, 1S, N, 1S, Y, 25S, "ALTERNATES (ALPHA)",
 HEADR 25S, "RRUF-035"
 HEADB CC11, "SSAN", 6S, "STATUS", 2S, "NAME", 25S, "STREET", 17S, "CITY", 14S,
 HEADB "ST "
 HEADB "ZIP", 7S, "TELEPHONE", 6S, "ADMISSION"
 CNTRS C1 = X
 PRT01 CC11, 1/9, 4S, 94/1, 4S, 10/27, 2S, 37/20, 3S, 57/15, 3S, 72/2, 3S, 74/5, 5S, 79/3,
 PRT01 1S, 82/3, "- ", 85/4, 7S, 89/5
 PRTF1 CC22, "TOTAL ==> ", C1J/4

DTL 1 = "T"
 PC01MSL10,2/36,118/2,179/1,99/4
 SORT 40,4,A,10,27,A
 SIZE ,10
 HEADR CCT2,D,1S,N,1S,Y,15S,"DESIGNEES WITHOUT CERTIFIED MEDICAL",
 HEADR "EXAMS (ALPHA)",10S,"RRUF-036"
 HEADB CC11,"SSAN NAME",26S,"MED FTA DET"
 CNTRS C1 = X
 PRT01 CC11,1/9,3S,10/27,4S,37/2,4S,39/1,4S,40/4
 PRTF1 CC11,"TOTAL ==> ",C1J/5

Ø37

DTL 1 = "A"
 PC01MSL10,2/36,118/2,179/1,99/4,206/15,221/15
 SORT 10,27,A
 SIZE ,13
 HEADR CCT2,"DATA "D,1S,N,1S,Y,15S,"ALTERNATES WITH CERTIFIED MEDICAL",
 HEADR "EXAMS (ALPHA)",10S,"RRUF-037"
 HEADB CC11,"SSAN NAME",25S,"MED FTA DET"
 CNTRS C1 = X
 PRT01 CC11,1/9,3S,10/27,3S,37/2,4S,39/1,4S,40/4,4S,44/15,4S,53/15
 PRTF1 CC22,"PTC GRAND TOTAL ==> ",C1J/5

Ø38

DTL 1 = "A" OR "L" OR "S" OR "E" OR "T"
 PC01MSL18,2/6,144/5,322/4,1/1,186/8
 SORT 37,3,A,10,27,A
 SIZE ,18
 HEADR CCT2,D,1S,N,1S,Y,15S,"FYSP CALL IN ROSTER",10S,"RRUF-038"
 HEADB CC21,"SSAN",9S,"NAME",27S,"UNIT",5S,"DCP",5S,"STATUS",
 HEADB 4S,"PREF1 PRT"
 CTL B1 = 37,3
 CNTRS C1 = X
 PRT01 CC11,1/9,4S,10/27,4S,37/3,4S,42/4,8,4S,46,1,7S,47/4,4S,51/4
 PRT11 CC11,37/3," = ",C1J/4
 PRTF1 CC22,"FYSP GRAND TOTAL ==> ",C1J/5

Ø39

0150DTL 1 = "A" AND 129 = "830301" TO "830901"
 0170PC01MSL8,2/36,118/2,99/4
 0180SORT 39,4,A,10,27,A
 0190SIZES ,8
 0200HEADR CCT2,"DATE ",D,1S,N,1S,Y,15S,"ALTERNATES WITH GOOD MEDICAL",
 0210HEADR " EXAMS (BY DET)",15S,"RRUF-039"
 0220HEADB CC11,"SSAN",10S,"NAME",23S,"MED DET"
 CTL B1 = 39/4
 0300CNTRS C1 = X
 0330PRT01 1/9,5S,10/27,37/2,4S,39/4
 0340PRT11 CC22,"DET ",39/4," TOTAL ==> ",C1J/4
 0350PRTF1 CC22,"TOTAL ==> ",C1J/5

Ø40

DTL (206 = "F04" OR "F05" OR "F02") OR
 DTL (209 = "F04" OR "F05" OR "F02") OR
 DTL (212 = "F04" OR "F05" OR "F02") OR
 DTL (215 = "F04" OR "F05" OR "F02") OR
 DTL (218 = "F04" OR "F05" OR "F02") OR
 FODIMSL05.206/3.91/1.98/1
 FORT 1.3.A
 FIZES .5
 HEADR CCT2,"DATE ",D,1S,N,1S,Y,20S,"LOW ACT OR SAT SCORES",15S,"PRUF-041"
 IF02 4 = "M"
 IF03 4 = "F"
 IF04 5 = "C"
 IF05 5 = "N"
 IF06 5 = "X"
 INTRS C1 = X, C2 = XIF02, C3 = XIF03, C4 = XIF04, C5 = XIF05, C6 = XIF06
 PRTF1 CC22,"GRAND TOTAL ==> ",C1J/5
 PRTF2 CC11,"TOTAL MALE ==> ",C2J/5
 PRTF3 CC11 "TOTAL FEMALE ==> ",C3J/5
 PRTF4 CC11 "TOTAL CAUCASIAN ==> ",C4J/5
 PRTF5 CC11,"TOTAL BLACK ==> ",C5J/5
 PRTF6 CC11,"TOTAL OTHER ==> ",C6J/5

Ø41

DTL 1 - " " AND
 DTL (186 - " " OR "4AY" OR "4BY" OR "4DY" OR "4EY" OR "4HY" OR "4IY" OR
 DTL "4LY" OR "4NY" OR "4OY" OR "4TY" OR "OCB" OR "OCY" OR "8FY" OR "8HY"
 DTL OR "1AY" OR "4MY"
 DTL OR "9BY" OR "9DY" OR "2CA" OR "1AA" OR "1AJ" OR "6YY") OR
 DTL (190 - " " OR "4AY" OR "4BY" OR "4DY" OR "4EY" OR "4HY" OR "4IY" OR
 DTL "4LY" OR "4NY" OR "4OY" OR "4TY" OR "OCB" OR "OCY" OR "8FY" OR "8HY"
 DTL OR "1AY" OR "4MY"
 DTL OR "9BY" OR "9DY" OR "2CA" OR "1AA" OR "1AJ" OR "7AC"
 DTL OR "8AC" OR "6YY")
 DTL OR (194 - " " OR "7ACY" OR "8ACY" OR 198 - " ") OR (190 = "7ACY"
 DTL OR "8ACY" AND 194 = " ")
 FODIMSL10.1/37.186/16.322/4
 FORT 11.27.A
 FIZE .10
 HEADR CCT2,D,1S,N,1S,Y,15S,"INCORRECT PREFERENCES",15S,"PRUF-041"
 HEADC CC11,"STAT SEAN NAME",26S,"1ST 2ND ACAD 4TH DCI
 INTRS C1 = X
 PRT01 CC11.20.1 1.30.2 9.30.11 27.30.38 4.30.42 4.31.46 4.31.50 4.41.54 4
 PRTF1 CC11,"TOTAL = ",C1J/4

OR 186 = "4IYY" OR 190 = "4IYY".
 0150PCD1MCL28.1/1.91/1.11/27.81/10.2/9.289/4.314/1.281/4.295/4.351/3.126/4.99/
 0160PCD1MS 144/5.118/2.125/4.322/4.98/1.38/20.58/15.73/2.75/5.293/2.310/2,
 0170PCD1MS 278/3.190/4.114/4.185/1.206/15.181/1.345/1
 0180SORT 49.4,D,62,3,D,135,3,D
 0190SIZE ,28
 0200HEADR CCT2,D,1S,N,1S,Y,15S,"INTERVIEW = 5, CEEB = 1200+,"
 0210HEADR " %ILE = 90.0+ OR GPA = 3.5+, 4IYY PREF",15S,"RRUF-043"
 0220HEADR CC11,"STA- SEX NAME",25S,"TELEPHONE SSAN *CEEB SAT=0",
 0230HEADR 4S,"H.S. CLASS ACADEMIC DETACHMENT MED ADDO SCHOL"
 0240HEADR "TUS",58S,"SCORE ACT=1 RANK/SIZE/%ILE CHOICES PREF",
 0250HEADR " ADMIS",16S,"MAJOR"
 0260HEADR 92S,"(FIRST)"
 0270HEADR 3S,"RACE STREET",16S,"CITY",13S,"ST ZIP",6S,"MATH VERB GPA
 0280HEADR " (A=4.00) (SECOND) ADMIN--INT DISQUALIFICATIONS"
 0290CTL B1 = 49/2
 0300CNTRS C1 = X
 0310PRT01 CC11,1S,1/1,4S,2/1,3S,3/27,2S,30/10,2S,40/9,2S,49/4,4S,53/1,4S,
 0320PRT01 54/4,1S,58/4,1S,62/2,",".64/1,4S,65/4,4S,69/4,1S,73/5,3S,78/2,
 0330PRT01 2S,80/4,6S,84/4
 0340PRT02 4S,88/1,5S,89/20,2S,109/15,2S,124/2,2S,126/5,5S,131/2,4S,133/2,
 0350PRT02 4S,135/1,",".136/2,14S,138/4,4S,142/4,3S,146/1,4S,147/3,1S,
 0355PRT02 150/3,1S,153/3,1S,156/3,1S,162/1,1S,163/1
 0360PRT03 " "
 0370PRT11 CC21,"TOTAL ",49/2,"00+ => ",C1J/5
 0380PRT12 CC1T,"* CEEB SCORE IS SAT MATH + VERBAL (0400-1600) OR ACT"
 0390PRT12 " COMPOSITE", " (1-36) CONVERTED TO SAT TOTAL (USING WPSS "
 0400PRT12 "CONVERSION CHART)."
 =RTF1 CC21,"GRAND TOTAL = ",C1J/5

044

DTL 185 = "6"
 0150PCD1MCL50.1/1.91/1.11/27.81/10.2/9.289/4.314/1.281/4.295/4.351/3.126/4.99/
 0160PCD1MS 144/5.118/2.125/4.322/4.98/1.38/20.58/15.73/2.75/5.293/2.310/2,
 0170PCD1MS 278/3.190/4.114/4.185/1.206/15.236/42.326/10.182/1.129/6.181/1,
 0180OPT 103/5.108/2
 0190SIZE 3.27.A
 0200HEADR CCT2,D,1S,N,1S,Y,25S,"JROTC GUARANTEED ENGINEERING SCHOLARSHIP
 0210HEADR "APPLICANTS",25S,"RRUF-044"
 0220HEADR CC11,"STA- SEX NAME",25S,"TELEPHONE SSAN *CEEB SAT=0",
 0230HEADR 4S,"H.S. CLASS ACADEMIC DETACHMENT MED ADDO SCHOL"
 0240HEADR "TUS",58S,"SCORE ACT=1 RANK/SIZE/%ILE CHOICES PREF",
 0250HEADR " ADMIS",16S,"MAJOR"
 0260HEADR 92S,"(FIRST)"
 0270HEADR 3S,"RACE STREET",16S,"CITY",13S,"ST ZIP",6S,"MATH VERB GP
 0280HEADR " (A=4.00) (SECOND) ADMIN--INT DISQUALIFICATIONS"
 0290HEADR 3S,"REP",4S,"HIGH SCHOOL",11S,"H. S. CITY",7S,"ST",2S,"ZIP",
 0300CNTRS 5S,"PANEL SCORE BOARD RANK",5S,"PREVIOUS",2S,"JROTC",2S,"CAP",
 0310PRT01 2S,"STATUS-DATE"
 0310PRT01 C1 = X
 0320PRT01 CC21,1S,1/1,4S,2/1,3S,3/27,2S,30/10,2S,40/9,2S,49/4,4S,53/1,4S,
 0330PRT01 54/4,1S,58/4,1S,62/2,",".64/1,4S,65/4,4S,69/4,1S,73/5,3S,78/2,
 0340PRT01 2S,80/4,6S,84/4
 0350PRT02 4S,88/1,5S,89/20,2S,109/15,2S,124/2,2S,126/5,5S,131/2,4S,133/2,
 0355PRT02 4S,135/1,",".136/2,14S,138/4,4S,142/4,3S,146/1,4S,147/3,1S,
 0360PRT03 150/3,1S,153/3,1S,156/3,1S,159/3
 0370PRT03 4S,214/1,5S,216/20,2S,218/15,2S,219/2,2S,219/5,5S,213/1,
 0380PRT03 5S,204/3,5S,207/1,4S,208/4,8S,221/1,6S,222/5,2S,227/2,4S,215/2,1S,
 0390PRT03 217/2,1S,219/2
 0400PRT#1 CC31,"* CEEB SCORE IS SAT MATH + VERBAL (0400-1600) OR ACT"
 0410PRT#1 " COMPOSITE", " (1-36) CONVERTED TO SAT TOTAL (USING WPSS "
 0420PRT#1 "CONVERSION CHART)."
 =RTF2 CC11,"TOTAL = ",C1J/4

045

DTL ((314 = "0" AND ((293 = "50" TO "54") OR (310 = "45" TO "49"))
 DTL OR (314 = "1" AND ((293 = "20" TO "23") OR (310 = "19" TO "20"))
 DTL AND 98 = "N" OR "X" OR "C"
 0150RCD1WSL28,1/1,91/1,11/27,81/10,2/9,289/4,314/1,281/4,285/4,311,3,186/4,
 0160RCD1WS 99/4,144/5,118/2,125/4,322/4,98/1,38/20,58/15,73/2,75,5,293/2,
 0170RCD1WS 310/25,278/3,190/4,114/4,185/1,206/15
 020RT 88,1,A,53,1,A,49,4,D,131,2,D,133,2,D,62,3,D,135,3,D
 0190SIZE ,28
 0200HEADR CCT2,"DATE ",D,1S,N,1S,Y,2S,"♦♦MINORITIES WITH SAT SCORES OF"
 0210HEADR " 500-540 MATH OR 450-4.0 VERBAL OR ACT SCORES OF 20-23",
 HEADR " MATH OR 19-20 ENG♦♦",2S,"RRUF-045"
 0220HEADB CC11,"STA- SEX NAME",25S,"TELEPHONE SSAN ♦♦CEEB SAT=0
 0230HEADB 4S,"H.S. CLASS CHOICES DETACHMENT MED ADDC SCHOL"
 0240HEADC "TUS",58S,"SCORE ACT=1 RANK/SIZE/%ILE (FIRST) PREF",
 0250HEADC " ADMIS",16S,"MAJOR"
 0260HEADD 132(-)
 HEADR ac12,3S,"RACE STREET",16S,"CITY",13S,"ST ZIP",6S,"MATH VERB GPA
 0280HEADR " (A=4.00) (SECOND) ADMIN--INT DISQUALIFICATION"
 0290CTL B1 = 53/1, B2 = 98/1
 0300CNTPS C1 = X
 0310PRT01 CC11,13,1/1,40,1/1,3S,3/27,2S,30/10,2S,40/9,2S,49,4,4,53,1,4
 0320PRT01 54/4,13,58/4,13,62/2,".",64/1,4S,65/4,4S,69,4,11,73,5,31,78/2
 0330PRT01 20,80/4,61,84/4
 0340PRT02 10,88/1,5S,89/20,2S,109/15,2S,124/2,2S,126/5,51,131,2,4,133,
 0350PRT02 43,135/1,".",136/2,14S,138/4,4S,142/4,3S,146/1,4S,147,3,11,
 0355PRT02 150/3,1S,153/3,1S,156/3,1S,159/3
 0360PRT03 " "
 0370PRT11 CC11,"TOTAL ",53/1,"==> ",C1J/5
 0371PRT21 CC11,"TOTAL ",88/1,"==> ",C1J/5
 0380PRT22 CC11,"♦ CEEB SCORE IS SAT MATH + VERBAL (0400-1600) OR ACT"
 0390PRT22 " COMPOSITE, (1-36) CONVERTED TO SAT TOTAL (USING WASS "
 0400PRT22 "CONVERSION CHART)."
 0410PRT23 CC1T,"SORTED BY RACE, CEEB, SAT(0) OR ACT(1), MATH, VERBAL "
 0420PRT23 "OR ENGLISH,"
 0430PRT23 " HS %ILE, GPA."
 0440PRT23 " GRAND TOTAL ==> ",C1J/4

046

DTL 206 = "E01" AND 209 = "F"
 RCD1WSL10,206/4
 020RT 1,1,A
 0190SIZE ,10
 HEADR CCT2,D,1S,N,1S,Y,10S,"E01 WITHOUT LOW SAT OR ACT SCORES",10S,
 HEADR "RRUF-046"
 CNTPS C1 = X
 PRTF1 "TOTAL = ",C1J/5

047

DTL 1 = "C" OR "T" OR "L" OR "O" OR "E" OR "A" OR "S"
 RCD1WSL20,2/9,11/27,329/1,330/5,186/4,190/4,194/4,335/1,326,3,1,1
 020RT 10,27,A
 0190SIZE ,20
 HEADR CCT2,D,1S,N,1S,Y,15S,"H STATUS LIST",
 HEADR 15S,"RRUF-047"
 HEADB CC11,"SSAN",7S,"NAME",24S,"BOARD BRD PK",
 HEADB 2S,"PREF1 PREF2 PREF3 PAN SCORE STAT"
 CNTPS C1 = X
 PRT01 1/9,2S,10/27,4S,37/1,5S,38/5,2S,43/4,3S,47/4,3S,51/4,
 PRT01 47,55/1,31,56,3,57,59/1
 PRTF1 CC31,"TOTAL ==> ",C1J/5

y, u

```

DTL          314 - "0" OF "1" AND 1 = "D"
RCD1MSL20,2/78,314/1,351/3,278/3,186/4,131/4
SORT         10,27,A
SIZE         ,20
HEADR       CCT2,D,1S,N,1S,Y,25S,"ALL D STATUS",25s,
HEADR       "RRUF-048"
HEADR       CC12,"SSAN",8S,"NAME",25S,"STREET",16S,"CITY",13S,"ST ZIP SAT/ACT
HEADR       "%ILE/GPA PREF STAT-DATE"
CNTRS       C1 = X
PRT01       CC11,1/9,3S,10/27,2S,37/20,2S,57/15,2S,72/2,2S,74/5,4S,79/1,5S,
PRT01       80/2,".",82/1,83/1,".",84/2,2S,86/4,4S,90/2,1S,92/2
PRTF1       CC22,"TOTAL = ",C1J/4
  
```

Ø49

```

DTL          (1 = "S" OR "E" OR "T") AND (181 = "A" OR "L") AND
DTL          (129 = "830801" TO "999999")
0150RCD1MSL28,1/1,91/1,11/27,81/10,2/9,289/4,314/1,281/4,285/4,351/3,186/4,9S
0150RCD1MS   144/5,118/2,125/4,322/4,98/1,38/20,58/15,73/2,75/5,293/2,310/2,
0170RCD1MS   278/3,190/4,114/4,185/1,206/15,181/1,345/1
0180SORT     69,4,A,3,27,A
0190SIZE     ,28
0200HEADR   CCT2,D,1S,N,1S,Y,15S,"ALTERNATES AWARDED FOUR-YEAR"
0210HEADR   " SCHOLARSHIPS (BY DET)",15S,"RRUF-049"
0220HEADR   CC11,"STA- SEX NAME",25S,"TELEPHONE SSAN      *CEEB SAT=0".
0230HEADR   4S,"H.S. CLASS ACADEMIC DETACHMENT MED ADDD SCHOL"
0240HEADR   "TUS",58S,"SCORE ACT=1 RANK/SIZE/%ILE CHOICES PREF",
0250HEADR   " ADMIS",16S,"MAJOR"
0260HEADR   92S,"(FIRST)"
0270HEADR   3S,"RACE STREET",16S,"CITY",13S,"ST ZIP",6S,"MATH VERB GF
0280HEADR   " (A=4.00) (SECOND) ADMIN--INT DISQUALIFICATIONS"
HEADR       " "
0290CTL     B1 = 69/4
0300CNTRS   C1 = X
0310PRT01   CC11,1S,1/1,4S,2/1,3S,3/27,2S,30/10,2S,40/9,2S,49/4,4S,53/1,4S,
0320PRT01   54/4,1S,58/4,1S,62/2,".",64/1,4S,65/4,4S,69/4,1S,73/5,3S,78/2,
0330PRT01   2S,80/4,6S,84/4
0340PRT02   4S,88/1,5S,89/20,2S,109/15,2S,124/2,2S,126/5,5S,131/2,4S,133/2,
0350PRT02   4S,135/1,".",136/2,14S,138/4,4S,142/4,3S,146/1,4S,147/3,1S,
0355PRT02   150/3,1S,153/3,1S,156/3,1S,162/1,1S,163/1
0360PRT03   " "
0370PRT11   CC11,"TOTAL ",69/4," =",C1J/3
0380PRT12   CC1T,"* CEEB SCORE IS SAT MATH + VERBAL (0400-1600) OR ACT"
0390PRT12   " COMPOSITE", " (1-36) CONVERTED TO SAT TOTAL (USING MPSS ",
0400PRT12   "CONVERSION CHART). "
PRTF1       CC21,"GRAND TOTAL =",C1J/4
  
```

Ø5Ø

```

DTL          312 = "W"
RCD1MSL10,1/37,289/6,310/2,314/1
SORT         11,27,A
SIZE         ,10
HEADR       CCT2,"DATE ",D,1S,N,1S,Y,30S,"SAT AND ACT WAIVERS",15S,"RRUF-050"
HEADR       CC11,"STATUS SSAN      NAME",26S,"CEEB MATH VERB INDIC"
CNTRS       C1 = X
PRT01       CC11,2S,1/1,6S,2/9,3S,11/27,3S,38/4,4S,42/2,5S,44/2,
PRT01       61,4S,1
PRTF1       CC11,"GRAND TOTAL ==",C1J/5
  
```

051

DTL (1 = "S" OR "E" OR "T") AND (181 = "A" OR "L") AND
 DTL (129 = "830801" TO "999999")
 0150PCD1MSL30,1/1,91/1,11/27,81/10,2/9,289/4,314/1,281/4,285/4,351/3,186/4,9:
 0160PCD1MS 144/5,118/2,125/4,322/4,98/1,38/20,58/15,73/2,75/5,293/2,310/2.
 0170PCD1MS 278/3,190/4,114/4,185/1,206/15,181/1,345/1,129/6
 0180SORT 166,4,A,73,5,A,3,27,A
 0190SIZE ,30
 0200HEADR OCT2,D,1S,N,1S,Y,15S,"ALTERNATES WHO ACCEPTED"
 0210HEADR " SCHOLARSHIPS (BY STATUS DATE)",15S,"RRUF-051"
 0220HEADR CC11,"STA- SEX NAME",25S,"TELEPHONE SSAN *CEEB SAT=0",
 0230HEADR 4S,"H.S. CLASS ACADEMIC DETACHMENT MED ADDO SCHOL"
 0240HEADR "TUS",58S,"SCORE ACT=1 RANK/SIZE/%ILE CHOICES PPEF",
 0250HEADR " ADMIS",16S,"MAJOR"
 0260HEADR 92S,"(FIRST)"
 0270HEADR 3S,"RACE STREET",16S,"CITY",13S,"ST ZIP",6S,"MATH VERB GF
 0280HEADR " (A=4.00) (SECOND) ADMIN--INT DISQUALIFICATIONS"
 HEADR " "
 0290CTL B1 = 164/4
 0300CNTRS C1 = X
 0310PRT01 CC11,1S,1/1,4S,2/1,3S,3/27,2S,30/10,2S,40/9,2S,49/4,4S,53/1,4S,
 0320PRT01 54/4,1S,58/4,1S,62/2,".",64/1,4S,65/4,4S,69/4,1S,73/5,3S,78/2,
 0330PRT01 2S,80/4,6S,84/4
 0340PRT02 4S,88/1,5S,89/20,2S,109/15,2S,124/2,2S,126/5,5S,131/2,4S,133/2.
 0350PRT02 4S,135/1,".",136/2,14S,138/4,4S,142/4,3S,146/1,4S,147/3,1S,
 0355PRT02 150/3,1S,153/3,1S,156/3,1S,162/1,1S,163/1
 0360PRT03 " "
 0370PRT11 CC11,"TOTAL ",164/2,"-",166/2,"-",168/2," ==> ",C1J/3
 0380PRT12 CC1T,"* CEEB SCORE IS SAT MATH + VERBAL (0400-1600) OR ACT"
 0390PRT12 " COMPOSITE", (1-36) CONVERTED TO SAT TOTAL (USING WPSS "
 0400PRT12 "CONVERSION CHART)."
 PRTF1 CC21,"GRAND TOTAL = ",C1J/4

052

DTL 330 = "1068" TO "2179" AND (293 = "60" TO "80"
 DTL AND 314 = "0") OR (293 = "27" TO "36" AND 314 = "1")
 DTL AND 1 = "T" OR "E" OR "S"
 PCD1MSL10,1/37,289/6,310/2,314/1,330/5
 SORT 47,5,A
 SIZE ,10
 HEADR OCT2,"DATE ",D,1S,N,1S,Y,30S,"6YYY SCHOLARSHIP OFFERS",15S,"RRUF-0
 HEADR CC11,"STATUS SSAN NAME",26S,"CEEB MATH VERB INDIC",
 HEADR " BOARD RANK"
 CNTRS C1 = X
 PRT01 CC11,2S,1/1,6S,2/9,3S,11/27,3S,38/4,4S,42/2,5S,44/2,
 PRT01 6S,46/1,6S,47/5
 PRTF1 CC11,"GRAND TOTAL ==> ",C1J/5

053

DTL 125 = "0000" OR 0000 OR "000A" OR " " AND 1 = "0"
 PCD1MSL15,2/79
 SORT 74,5,A,10,27,A
 SIZE ,15
 HEADR OCT2,D,1S,N,1S,Y,15S,"APPLICANTS WITHOUT AN ADDO",
 HEADR 15S,"RRUF-053"
 HEADR CC01,"SSAN NAME",26S,"STREET",17S,"CITY",14S,"ST",3S,"ZIP"
 CNTRS C1 = X
 PRT01 CC11,1/A,3S,10/27,3S,37/20,3S,57/15,3S,73/2,3S,74/5
 PRTF1 CC11,"TOTAL ==> ",C1J/4

DTL 1 = "F" OR "C" OR 206 = "Z01" OR "E31" OR 209 = "Z01"
 DTL OR "E31" OR 212 = "Z01" OR "E31" OR 215 = "E31" OR "Z01"
 DTL OR 218 = "Z01" OR "E31"
 PC1MSL10,1/37,206/15,181/1
 SORT 1,1,A,11,27,A
 SIZE ,10
 HEADR CCT2,D,1S,N,1S,Y,25S,"NEW PROGRAM SPECIAL STATUS",25S,
 HEADR "RRUF-054"
 HEADR CC11,"STATUS SSAN NAME",25S,"PREV ♦DISQUALIFICATIONS♦"
 CNTRC C1 = X
 PRT01 CC11,2S,1/1,5S,2/9,3S,11/27,2S,53/1,3S,38/3,1S,41/3,1S,44/3,1S,47/
 PRT01 1S,50/3
 PRT01
 PRT01 CC30,"TOTAL = ".C1J/3

055

DTL (206 = "E" OR "G" OR "H" OR "L" OR 206 = "K03") AND
 DTL (209 = "E" OR "G" OR "H" OR "L" OR 209 = "K03" OR
 DTL 212 = "E" OR "G" OR "H" OR "L" OR 212 = "K03" OR
 DTL 215 = "E" OR "G" OR "H" OR "L" OR 215 = "K03" OR
 DTL 218 = "E" OR "G" OR "H" OR "L" OR 218 = "K03")
 PC1MSL15,1/37,80/1,185/1,144/5,206/15,181/1,345/1,129/6
 SORT 11,27,A
 SIZE ,15
 HEADR CCT2,"DATE ",D,1S,N,1S,Y,10S,"MULTIPLE FINALIST DO'S",10S,
 HEADR "RRUF-055"
 HEADR CC11,"STAT SSAN",9S,"NAME",23S,"WAIVER RATING ADMIS"
 HEADR " DISQUALIFICATIONS PREV PRIOR ♦CHANGE DATE♦"
 CNTRC C1 = X
 PRT01 CC11,1S,1/1,4S,2/9,4S,11/27,3S,38/1,7S,39/1,6S,40/5,3S,45/3,
 PRT01 1S,48/3,1S,51/3,1S,54/3,1S,57/3,5S,60/1,6S,61/1,7S,62/2,1S,64/2,
 PRT01 1S,66/2
 PRT01
 PRT01 CC22,"TOTAL ==> ".C1J/4

056

DTL 73 - "AL" OR "AK" OR "AZ" OR "AR" OR "CA" OR "CO" OR "CT" OR
 DTL "DE" OR "DC" OR "FL" OR "GA" OR "GU" OR "HI" OR "ID" OR
 DTL "IL" OR "IN" OR "IA" OR "KS" OR "KY" OR "LA" OR "ME" OR "MD" [
 DTL "MA" OR "MI" OR "MN" OR "MS" OR "MO" OR "MT" OR "NE" OR "NV" [
 DTL "NH" OR "NJ" OR "NM" OR "NY" OR "NC" OR "ND" OR "OH" OR "OK" [
 DTL "OR" OR "PA" OR "PR" OR "RI" OR "SC" OR "SD" OR "TN" OR "TX" [
 DTL "UT" OR "VT" OR "VA" OR "VI" OR "WA" OR "WV" OR "WI" OR "WY" [
 DTL "=8" OR " " OR 75 = "000" TO "005"
 PC1MSL15,1/79
 SORT 73,2,A,11,27,A
 SIZE ,15
 HEADR CCT2,"DATE ",D,1S,N,1S,Y,25S,"STATE IS NOT U.S. POSTAL ",
 HEADR "SERVICE ABBREVIATION OR ZIP = 000 TO 005",15S,"RRUF-056"
 HEADR CC11,"STATUS SSAN NAME",26S,"STREET",17S,"CITY",14S,
 HEADR "ST ZIP"
 CNTRC C1 = X
 PRT01 CC10,2S,1/1,5S,2/9,3S,11/27,2S,38/20,3S,58/15,3S,73/2,3S,75/5
 PRT01
 PRT01 CC22,"TOTAL = ".C1J/4

057

DTL 185 = "6"
 RCDIMSL20, 2/36, 322/4, 103/5, 236/37, 99/4, 144/5, 118/2, 125/4
 SORT 41, 5, A
 SIZE ,20
 HEADA CCT2, D, 1S, N, 1S, Y, 10S, "JROTC GUARANTEED ENGINEERING",
 HEADB " SCHOLARSHIP DESIGNEES (BY JROTC UNIT)", 5S, "RRUF-057"
 HEADC CC11, "SSAN NAME", 25S, "MAJOR JROTC HIGH SCHOOL",
 HEADD 12S, "H. S. CITY ST DETACHMENT MEDICAL ADCO"
 HEADE 49S, "UNIT", 50S "PREF ADMIS", 15S, "AREA"
 CNTRS C1 = X
 PRT01 CC11, 1/9, 3S, 10/27, 3S, 37/4, 3S, 41/5, 3S, 46/20, 3S, 66/15, 3S, 81/2,
 PRT02 3S, 83/4, 1S, 87/5, 6S, 92/2, 7S, 94/4
 PRTF1 CC11, "GRAND TOTAL = ", C1J/5

058

DTL 185 = "6" AND 1 = "S" OR "E" OR "T"
 RCDIMSL20, 2/36, 322/4, 103/5, 236/37, 99/4, 144/5, 118/2, 125/4
 SORT 94, 4, A, 41, 5, A, 10, 27, A
 SIZE ,20
 HEADA CCT2, D, 1S, N, 1S, Y, 10S, "JROTC GUARANTEED ENGINEERING",
 HEADB " SCHOLARSHIP DESIGNEES (BY ADCO)", 5S, "RRUF-058"
 HEADC CC11, "SSAN NAME", 25S, "MAJOR JROTC HIGH SCHOOL",
 HEADD 12S, "H. S. CITY ST DETACHMENT MEDICAL ADCO"
 HEADE 49S, "UNIT", 50S "PREF ADMIS", 15S, "AREA"
 CTL B1 = 94/4
 CNTRS C1 = X
 PRT01 CC11, 1/9, 3S, 10/27, 3S, 37/4, 3S, 41/5, 3S, 46/20, 3S, 66/15, 3S, 81/2,
 PRT02 3S, 83/4, 1S, 87/5, 6S, 92/2, 7S, 94/4
 PRT11 CC2T, "TOTAL ", 94/4, " = ", C1J/3
 PRTF1 CC11, "GRAND TOTAL = ", C1J/4

059

DTL 278 = "250" TO "279" AND 139 - " "
 RCDIMSL20, 2/36, 182/1, 98/1, 278/3, 289/6, 310/2, 206/15, 1/1, 181/1, 345/1, 186/8
 SORT 65, 1, A, 39, 3, D, 42, 4, D
 SIZE ,20
 HEADA CCT2, "DATE ", D, 1S, N, 1S, Y, 20S, "GPA FROM 2.50-2.79 (SORTED BY STATI
 HEADB " GPA, AND CEEB)", 15S, "RRUF-059"
 HEADC CC11, "SSAN NAME", 24S, "DEP RACE GPA CEEB MATH VERB"
 HEADD " DISQUALIFICATIONS STATUS PREV PRIOR PREFERENCES"
 CNTRS C1 = X
 PRT01 CC11, 1/9, 3S, 10/27, 2S, 37/1, 4S, 38/1, 4S, 39/1, " . ", 40/2, 3S, 42/4, 3S,
 PRT02 46/2, 4S, 48/2, 4S, 50/3, 1S, 53/3, 1S, 56/3, 1S, 59/3, 1S, 62/3, 4S, 65/1,
 PRT03 6S, 66/1, 6S, 67/1, 4S, 68/4, 1S, 72/4
 PRTF1 CC11, "ROTC GRAND TOTAL = ", C1J/5

061

DTL 185 = "6" AND 1 = "S" OR "E" OR "T"
 RCDIMSL20, 2/36, 322/4, 103/5, 236/37, 99/4, 144/5, 118/2, 125/4
 SORT 10, 27, A
 SIZE ,20
 HEADA CCT2, D, 1S, N, 1S, Y, 10S, "JROTC GUARANTEED ENGINEERING",
 HEADB " DESIGNEES (ALPHA)", 15S, "RRUF-061"
 HEADC CC11, "SSAN NAME", 25S, "MAJOR JROTC HIGH SCHOOL",
 HEADD 12S, "H. S. CITY ST DETACHMENT MEDICAL ADCO"
 HEADE 49S, "UNIT", 50S "PREF ADMIS", 15S, "AREA"
 CNTRS C1 = X
 PRT01 CC11, 1/9, 3S, 10/27, 3S, 37/4, 3S, 41/5, 3S, 46/20, 3S, 66/15, 3S, 81/2,
 PRT02 3S, 83/4, 1S, 87/5, 6S, 92/2, 7S, 94/4
 PRTF1 CC31, "GRAND TOTAL = ", C1J/5

DTL 114 = "535A" OR "640A" OR "027A" OR "085A" OR
 DTL 114 = "440A" OR "930 " OR "434 "
 0170RCD1WLSL8,2/36,114/4,144/5
 0180SORT 10,27,A
 0190SIZES ,8
 0200HEADR CCT2,"DATE ",D,1S,N,1S,Y,15S,"DET NUMBERS REQUIRE CHANGE"
 0210HEADR " (ALPHA)",15S,"RRUF-063"
 0220HEADB CC11,"SSAN",10S,"NAME",23S,"PREF ADMIS"
 0300CNTRS C1 = X
 0330PRT01 1/9,5S,10/27,37/4,3S,41/5
 0350PRTF1 CC22,"TOTAL ==> ",C1J/5

Φ64

DTL 271 - "AL" OR "AK" OR "AZ" OR "AP" OR "CA" OR "CO" OR "CT" OR
 DTL "DE" OR "DC" OR "FL" OR "GA" OR "GU" OR "HI" OR "ID" OR
 DTL "IL" OR "IN" OR "IA" OR "KS" OR "KY" OR "LA" OR "ME" OR "MD" C
 DTL "MA" OR "MI" OR "MN" OR "MS" OR "MO" OR "MT" OR "NE" OR "NV" C
 DTL "NH" OR "NJ" OR "NM" OR "NY" OR "NC" OR "ND" OR "OH" OR "OK" C
 DTL "OR" OR "PA" OR "PR" OR "RI" OR "SC" OR "SD" OR "TN" OR "TX" C
 DTL "UT" OR "VT" OR "VA" OR "VI" OR "WA" OR "WV" OR "WI" OR "WY" C
 DTL "10" OR " " OR 273 = "000" TO "005"

RCD1WLSL15,1/37,236/42
 SORT 11,27,A
 SIZES ,15
 HEADR CCT2,D,1S,N,1S,Y,15S,"HIGH SCHOOL STATE IS NOT A U.S. POSTAL ",
 HEADR "SERVICE ABBREVIATION OR ZIP = 000 TO 005",15S,"RRUF-064"
 HEADB CC11,"STATUS SSAN NAME",26S,"HIGH SCHOOL",12S,"CITY",14S,
 HEADB "ST ZIP"
 CNTRS C1 = X
 PRT01 CC10,2S,1/1,5S,2/9,3S,11/27,3S,38/20,3S,58/15,3S,73/2,3S,75/5
 PRTF1 CC22,"TOTAL = ",C1J/4

Φ65

DTL 236 = " " AND 237 = " "
 RCD1WLSL20,2/36,236/42
 SORT 10,27,A
 SIZES ,20
 HEADR CCT2,D,1S,N,1S,Y,10S,"REFUNCH SCHOOL NAME",
 HEADR 5S,"RRUF-065"
 CNTRS C1 = X
 PRT01 CC11,"7C",1/14,37/42
 PRTF1 CC11,"TOTAL = ",C1J/4

Φ67

DTL 1 = "C" OR "H" OR "S" OR "E" OR "T" OR "A" OR "L"
 DTL AND 176 = "1" AND (139 = "84183" TO "84350" OR
 DTL 129 = "840701" TO "841215")
 RCD1WLSL9,114/4,129/6,2/9,11/27,139/5,1/1
 SORT 1,4,A,20,27,A
 SIZES ,9
 HEADR CCT2,D,1S,N,1S,Y,25S,"OVERDUE INTERVIEWS (ALPHA)",
 HEADR 25S,"RRUF-067"
 HEADB CC12,"ON ADAR",6S,"SSAN",9S,"NAME",24S,"ADMIN",5S,"GEN-DATE",
 HEADB 5S,"STATUS"
 CNTRS C1 = X
 PRT01 CC11,5/2,1S,7/2,1S,9/2,5S,11/9,4S,20/27,2S,1/4,6S,47/2,1S,49/3,8S
 PRT01 52/1
 PRTF1 CC31,"DATE IS YEAR, MONTH, AND DAY THAT THE APPLICANT FIRST ",
 DATE1 "APPEARED ON THE ADMINISTRATIVE DETACHMENT ACTION ROSTER (ADAR),
 DATE2 "THE FIRST ADAR WAS MAILED IN EARLY SEPTEMBER.
 DATE3 CC31,"GRAND TOTAL = ",C1

DTL "DE" OR "DC" OR "FL" OR "GA" OR "GU" OR "HI" OR "ID" OR
 DTL "IL" OR "IN" OR "IA" OR "KS" OR "KY" OR "LA" OR "ME" OR "MD"
 DTL *068* "MA" OR "MI" OR "MH" OR "MS" OR "MO" OR "MT" OR "NE" OR "NV"
 DTL "NH" OR "NJ" OR "NM" OR "NY" OR "NC" OR "ND" OR "OH" OR "OK"
 DTL "OR" OR "PA" OR "PR" OR "RI" OR "SC" OR "SD" OR "TH" OR "TX"
 DTL "UT" OR "VT" OR "VA" OR "VI" OR "WA" OR "WV" OR "WI" OR "WY"
 DTL "10" OR " "

RCD1MSL15,1/79,108/2
 SORT 11,27,A
 SIZE ,15
 HEADR CCT2,D,1S,N,1S,Y,25S,"CAP STATE IS NOT A U.S. POSTAL ",
 HEADR "SERVICE ABBREVIATION",15S,"RRUF-068"
 HEADB CC11,"STATUS SSAN NAME",26S,"STREET",17S,"CITY",14S,
 HEADB "ST ZIP",5S,"CAP"
 CNTRS C1 = X
 PART01 CC10,2S,1/1,5S,2/9,3S,11/27,3S,38/20,3S,58/15,3S,73/2,3S,75/5,3,
 PART01 80/2
 PART01
 PART01 CC22,"TOTAL = ",C1J/4

DTL (2 = "525451" AND 8 = "056") OR
 DTL (2 = "044746" AND 8 = "310") OR
 DTL (2 = "593227" AND 8 = "236")

070

RCD1MSL15,2/36,91/1,98/1,182/1,114/4,185/1,289/6,310/2,281/8,351/3,278/3,
 RCD1MS 103/7,186/8
 SORT 10,27,A
 SIZE ,15
 HEADR CCT2,D,1S,N,1S,Y,30S,"BOARD SCORING EXERCISE (SAT)",
 HEADR 30S,"RRUF-070"
 HEADB CC10,"PANEL" PANEL MEMBER 1 2 3 SCORE R INTER-
 HEADB " ♦♦SAT SCORES♦♦ ",37S,"ACADEMIC"
 HEADC CC10,37S,"(55- S A Q VIEW TOTAL MATH VERB HIGH ",
 HEADC "SCHOOL CLASS C MAJOR"
 HEADD CC10,37S,"(100) E C E UNIT/ 1000- 500- 450-",26S,
 HEADD "JROTC A CHOICES"
 HEADD CC11,"SSAN NAME",29S,"X E P RATING 1600 800 800
 HEADD "RANK/SIZE %ILE GPA UNIT P 1ST 2ND"
 CNTRS C1 = X
 PART01 CC21,1/9,3S,10/27,6S,37/1,1S,38/1,1S,39/1,2S,40/4,1S,44/1,3S,
 PART01 45/4,3S,49/2,"0",3S,51/2,"0",3S,53/4,1S,57/4,2S,61/2,".",63/1,
 PART01 2S,64/1,".",65/2,3S,67/5,1S,72/2,2S,74/4,2S,78/4,3S
 PART01 CC22,"TOTAL ==> ",C1J/2

071

DTL (2 = "289806" AND 8 = "998") OR
 DTL (2 = "262916" AND 8 = "188") OR
 DTL (2 = "522065" AND 8 = "317")
 RCD1MSL15,2/36,91/1,98/1,182/1,114/4,185/1,289/6,310/2,281/8,351/3,278/3,
 RCD1MS 103/7,186/8
 SORT 10,27,A
 SIZE ,15
 HEADR CCT2,D,1S,N,1S,Y,30S,"BOARD SCORING EXERCISE (ACT)",
 HEADR 30S,"RRUF-071"
 HEADB CC10,"PANEL" PANEL MEMBER 1 2 3 SCORE R INTER-
 HEADB " ♦♦ACT SCORES♦♦ ",37S,"ACADEMIC"
 HEADC CC10,37S,"(55- S A Q VIEW COMP MATH ENG HIGH ",
 HEADC "SCHOOL CLASS C MAJOR"
 HEADD CC10,37S,"(100) E C E UNIT/ 1000- 20- 19- ",27S,
 HEADD "JROTC A CHOICES"
 HEADD CC11,"SSAN NAME",29S,"X E P RATING 1600 36 33
 HEADD "RANK/SIZE %ILE GPA UNIT P 1ST 2ND"
 CNTRS C1 = X
 PART01 CC21,1/9,3S,10/27,6S,37/1,1S,38/1,1S,39/1,2S,40/4,1S,44/1,3S,
 PART01 45/4,3S,49/2,3S,51/2,5S,53/4,1S,57/4,2S,61/2,".",63/1,
 PART01 2S,64/1,".",65/2,3S,67/5,1S,72/2,2S,74/4,2S,78/4
 PART01 CC22,"TOTAL ==> ",C1J/2

072

DTL 1 - "0" AND 176 = "1" AND 114 = "005" TO "940"
0170PCD1MSL01,114/4,176/1,185/1
0180SORT 1,4,A
0190SIZES ,1
0200HEADR CCT3,D,1S,N,1S,Y,10S,"INTERVIEW "
0210HEADR "RATINGS BY ADMIN UNIT",10S,"RRUF-072"
0220HEADR "ADMIN",3S,"MEAN",3S,"TOTAL",3S,"NUMBER OF EACH RATING AWARDED
HEADR "(AND PERCENT OF TOTAL)",14S,"JROTC"
0230HEADR CC02," UNIT",2S,"RATING",3S,"DONE ",6S,"5",10S,"4",10S,
HEADR "3",10S,"2",10S,"1",19S,"6"
0240CTL B1 = 1/4
0250IF02 6 = "5"
0260IF03 6 = "4"
0270IF04 6 = "3"
0280IF05 6 = "2"
0290IF06 6 = "1"
IF07 6 = "6"
0300CNTRS C1 = X, C2 = XIF02, C3 = XIF03, C4 = XIF04, C5 = XIF05, C6 = XIF

CNTRS C7 = XIF07
0310COMPUT C8 = C2 + C3 + C4 + C5 + C6
COMPUT C9 = C2 * 100 / C8
COMPUT C10 = C3 * 100 / C8
COMPUT C11 = C4 * 100 / C8
COMPUT C12 = C5 * 100 / C8
COMPUT C13 = C6 * 100 / C8
COMPUT C14 = C2 * 5
COMPUT C15 = C3 * 4
COMPUT C16 = C4 * 3
COMPUT C17 = C5 * 2
COMPUT C18 = C14 + C15 + C16 + C17 + C6
COMPUT C19 = C18 * 10 / C8
COMPUT C20 = C2 * 1000 / C8
COMPUT C21 = C3 * 1000 / C8
COMPUT C22 = C4 * 1000 / C8
COMPUT C23 = C5 * 1000 / C8
COMPUT C24 = C6 * 1000 / C8
COMPUT C25 = C18 * 100 / C8
0320PRT11 1S,1/4,4S,C19F/3,3S,C8J/4,5S,C2A/3,1S,C9A/3,"%",2S,
PRT11 C3A/4,1S,C10A/3,"%",2S,
PRT11 C4A/4,1S,C11A/3,"%",3S,
PRT11 C5A/3,1S,C12A/3,"%",2S,
PRT11 C6A/3,1S,C13A/3,"%",14S,
PRT11 C7A/3
0330PRTF1 CC21,"TOTAL",3S,C25C/4,2S,C8J/5,4S,C2J/4,7S,
PRTF1 C3J/4,7S,
PRTF1 C4J/4,7S,
PRTF1 C5J/4,7S,
PRTF1 C6J/3,19S,
PRTF1 C7J/2
PRTF2 C9F/4,"%",6S,C21F/4,"%",6S,
PRTF2 C22F/4,"%",6S,C23F/4,"%",5S,
PRTF2 C24F/4,"%"

073

DTL 1 = "S" OR "E" OR "T" OR "A" OR "L" AND 176 = "1"
 RCD1MSL9,114/4,129/6,2/9,11/27,139/5,1/1
 SORT 20,27,A
 SIZE ,9
 HEADR CCT2,D,1S,N,1S,Y,15S,"DESIGNEES AND ALTERNATES WITH NO INTERVIEW
 HEADR " RECORDED",15S,"RRUF-073"
 HEADR CC12,"ON ADAR",6S,"SSAN",9S,"NAME",24S,"ADMIN",5S,"GEN-DATE",
 HEADR 3S,"STATUS"
 CNTRS C1 = X
 PRT01 CC11,5/2,1S,7/2,1S,9/2,5S,11/9,4S,20/27,2S,1/4,6S,47,2,1S,49,3,
 PRT01 6S,52/1
 PRTF1 CC31,"DATE IS YEAR, MONTH, AND DAY THAT THE APPLICANT FIRST ",
 PRTF1 "APPEARED ON THE ADMINISTRATIVE DETACHMENT ACTION ROSTER (ADAR).
 PRTF2 "THE FIRST ADAR WAS MAILED IN EARLY SEPTEMBER."
 PRTF3 CC31,"GRAND TOTAL = ".C1J/4

074

0140DTL 1 = "A" OR "L"
 0150RCD1MSL20,306/4,330/4,2/9,11/27,186/4,190/4,99/4,144/5,73,3,11,3,179
 0160RCD1MS 91/1,98/1,129/6,181/1,345/1,114/4,159/5,164/5,346/5
 0170SORT 53,4,A,1,4,A
 0180SIZE ,20
 0190HEADR CCT2,D,1S,N,1S,Y,15S,"ALTERNATES IN RANK ORDER BY DET",
 0200HEADR 15S,"RRUF-074"
 0210HEADR CC11,"ALT BD SSAN NAME",24S,"ACADEMIC DETACHMEN
 0220HEADR 2S,"ST MED/ SEX/ STATUS PRE/ ADMIN MED FIRST FUTURE
 0240HEADR "RANK - RANK",40S,"PREFERENCE PREF ADMIS FTR PACE CH
 0250HEADR 1S,"DT PRI DET CARDS EXAM EXAM"
 CNTRS C1 = 53/4
 PRT01 C1 = X
 PRT01 CC11,1/4,2S,5/4,2S,9/9,2S,18/27,1S,45/4,1S,49/4,2S,53/4,1S,57/
 PRT01 62/2,2S,64/2,1S,66/1,2S,67/1,2S,68/1,2S,69/6,2S,75/1,2S,76/1,
 PRT01 77/4,2S,81/5,2S,86/5,2S,91/5
 PRTF1 CC3T,"TOTAL DET ",53/4," ALTERNATES = ".C1J/3
 PRTF1 CC31,"TOTAL = ".C1J/4

078

DTL 1 = "C" OR "H" AND 176 = "1" AND 314 = "1" AND 185 = "1" TO "2"
 AND (154 = "84320" TO "85009" OR 129 = "840701" TO "850109")
 RCD1MSL15,2/36,
 SORT 10,27,A
 SIZE ,15
 HEADR CCT2,D,1S,N,1S,Y,5S,"PAGE",P,25S,"SELECTION BOARD ROSTER",
 HEADR "(ACT)",25S,"RRUF-078"
 HEADR CC10,37S,"PANEL* PANEL MEMBER* 1 2 3"
 HEADR CC21,"SSAN NAME",29S
 CNTRS C1 = X
 PRT01 CC21,1/9,3S,10/27,6S
 PRTF1 CCT2,"TOTAL ==> ".C1J/4

079

DTL 1 = "C" OR "H" AND 176 = "1" AND 314 = "0" AND 185 = "1" TO "2"
 AND (154 = "84320" TO "85009" OR 129 = "840701" TO "850109")
 RCD1MSL15,2/36,
 SORT 10,27,A
 SIZE ,15
 HEADR CCT2,D,1S,N,1S,Y,5S,"PAGE",P,25S,"SELECTION BOARD ROSTER",
 HEADR "(SAT)",25S,"RRUF-079"
 HEADR CC10,37S,"PANEL* PANEL MEMBER* 1 2 3"
 HEADR CC21,"SSAN NAME",29S
 CNTRS C1 = X
 PRT01 CC21,1/9,3S,10/27,6S
 PRTF1 CCT2,"TOTAL ==> ".C1J/4

080

DTL 1 = "C" OR "H" AND 176 = "1" AND 314 = "0" AND 185 = "1" TO "2"
 AND (154 = "85103" TO "99999" OR 129 = "840701" TO "850416")
 RCD1MSL15,2/36,91/1,98/1,182/1,114/4,185/1,289/6,310/2,281/8,351/3,278/3,
 RCD1MS 103/7,186/8
 SORT 10,27,A
 SIZE ,15
 HEADR CCT2,D,1S,N,1S,Y,5S,"PAGE",P,25S,"SELECTION BOARD ROSTER",
 HEADR "(SAT)",25S,"RRUF-080"
 HEADR CC10,"PANEL" PANEL MEMBER 1 2 3 SCORE R INTER-
 HEADR " ♦♦SAT SCORES♦♦ ",37S,"ACADEMIC"
 HEADR CC10,37S,"(55- S A Q VIEW TOTAL MATH VERB HIGH ",
 HEADR "SCHOOL CLASS C MAJOR"
 HEADR CC10,37S,"100) E C E UNIT/ 1000- 500- 450-",26S,
 HEADR "JROTC A CHOICES"
 HEADR CC11,"SSAN NAME",29S,"X E P RATING 1600 800 800
 HEADR "RANK/SIZE %ILE GPA UNIT P 1ST 2ND"
 CNTRS C1 = X
 PRT01 CC21,1/9,3S,10/27,6S,37/1,1S,38/1,1S,39/1,2S,40/4,1S,44/1,3S,
 PRT01 45/4,3S,49/2,"0",3S,51/2,"0",3S,53/4,1S,57/4,2S,61/2,".",63/1,
 PRT01 2S,64/1,".",65/2,3S,67/5,1S,72/2,2S,74/4,2S,78/4
 PRTF1 CCT2,"TOTAL ==> ",C1J/4

081

DTL 1 = "C" OR "H" AND 176 = "1" AND 314 = "1" AND 185 = "1" TO "2"
 AND (154 = "85103" TO "99999" OR 129 = "840701" TO "850416")
 RCD1MSL15,2/36,91/1,98/1,182/1,114/4,185/1,289/6,310/2,281/8,351/3,278/3,
 RCD1MS 103/7,186/8
 SORT 10,27,A
 SIZE ,15
 HEADR CCT2,D,1S,N,1S,Y,5S,"PAGE",P,25S,"SELECTION BOARD ROSTER",
 HEADR "(ACT)",25S,"RRUF-081"
 HEADR CC10,"PANEL" PANEL MEMBER 1 2 3 SCORE R INTER-
 HEADR " ♦♦ACT SCORES♦♦ ",37S,"ACADEMIC"
 HEADR CC10,37S,"(55- S A Q VIEW COMP MATH ENG HIGH ",
 HEADR "SCHOOL CLASS C MAJOR"
 HEADR CC10,37S,"100) E C E UNIT/ 1000- 20- 19- ",27S,
 HEADR "JROTC A CHOICES"
 HEADR CC11,"SSAN NAME",29S,"X E P RATING 1600 36 33
 HEADR "RANK/SIZE %ILE GPA UNIT P 1ST 2ND"
 CNTRS C1 = X
 PRT01 CC21,1/9,3S,10/27,6S,37/1,1S,38/1,1S,39/1,2S,40/4,1S,44/1,3S,
 PRT01 45/4,3S,49/2,3S,51/2,5S,53/4,1S,57/4,2S,61/2,".",63/1,
 PRT01 2S,64/1,".",65/2,3S,67/5,1S,72/2,2S,74/4,2S,78/4
 PRTF1 CCT2,"TOTAL ==> ",C1J/4

084

DTL 1 = "C" OR "H" AND 176 = "1" AND 98 = "N" OR "X" AND 314 = "0"
 DTL AND (154 = "85103" TO "99999" AND 129 = "840701" TO "850416")
 DTL AND 185 = "6"
 RCD1MSL15,2/36,91/1,98/1,182/1,114/4,185/1,289/6,310/2,281/8,351/3,278/3,
 RCD1MS 103/7,186/8
 SORT 38,1,A,10,27,A
 SIZE ,15
 HEADR CCT2,D,1S,N,1S,Y,5S,"PAGE",P,17S,"MINORITY SELECTION BOARD",
 HEADR "ROSTER (SAT)",15S,"RRUF-084"
 HEADB CC10,"PANEL" PANEL MEMBER 1 2 3 SCORE R INTER-
 HEADB " ♦♦SAT SCORES♦♦ ",37S,"ACADEMIC"
 HEADC CC10,37S,"(55- S A Q VIEW TOTAL MATH VERB HIGH",
 HEADC "SCHOOL CLASS C MAJOR"
 HEADD CC10,37S,"100) E C E UNIT/ 1000- 500- 450-",27S,
 HEADD "JROTC A CHOICES"
 HEADE CC11,"SSAN NAME",29S,"X E P RATING 1600 300 300
 HEADE "RANK/SIZE %ILE GPA UNIT P 1ST 2ND"
 CTL B1 = 38/1
 CNTRS C1 = X
 PRT01 CC21,1/9,3S,10/27,6S,37/1,1S,38/1,1S,39/1,2S,40/4,1S,44/1,3S,
 PRT01 45/4,3S,49/2,"0",3S,51/2,"0",3S,53/4,1S,57/4,2S,61/2,".",63/1,
 PRT01 2S,64/1,".",65/2,3S,67/5,1S,72/2,2S,74/4,2S,78/4
 PRT11 CC2+, "TOTAL ",38/1," = ",C1J/4
 PRTF1 CC22, "TOTAL = ",C1J/5

085

DTL 1 = "C" OR "H" AND 176 = "1" AND 98 = "N" OR "X" AND 314 = "0"
 DTL AND (154 = "85103" TO "99999" AND 129 = "840701" TO "850416")
 DTL AND 185 = "6"
 RCD1MSL15,2/36,91/1,98/1,182/1,114/4,185/1,289/6,310/2,281/8,351/3,278/3,
 RCD1MS 103/7,186/8
 SORT 38,1,A,10,27,A
 SIZE ,15
 HEADR CCT2,D,1S,N,1S,Y,5S,"PAGE",P,17S,"MINORITY SELECTION BOARD",
 HEADR "ROSTER (ACT)",15S,"RRUF-085"
 HEADB CC10,"PANEL" PANEL MEMBER 1 2 3 SCORE R INTER-
 HEADB " ♦♦ACT SCORES♦♦ ",37S,"ACADEMIC"
 HEADC CC10,37S,"(55- S A Q VIEW COMP MATH ENG HIGH",
 HEADC "SCHOOL CLASS C MAJOR"
 HEADD CC10,37S,"100) E C E UNIT/ 1000- 20- 19- ",27S,
 HEADD "JROTC A CHOICES"
 HEADE CC11,"SSAN NAME",29S,"X E P RATING 1600 36 33
 HEADE "RANK/SIZE %ILE GPA UNIT P 1ST 2ND"
 CTL B1 = 38/1
 CNTRS C1 = X
 PRT01 CC21,1/9,3S,10/27,6S,37/1,1S,38/1,1S,39/1,2S,40/4,1S,44/1,3S,
 PRT01 45/4,3S,49/2,3S,51/2,5S,53/4,1S,57/4,2S,61/2,".",63/1,
 PRT01 2S,64/1,".",65/2,3S,67/5,1S,72/2,2S,74/4,2S,78/4
 PRT11 CC2+, "TOTAL ",38/1," = ",C1J/4
 PRTF1 CC22, "TOTAL = ",C1J/5

RCD1MSL15.2/36.91/1.98/1.182/1.114/4.185/1.289/6.310/2.281/8.351/3.278/3,
 RCD1MS 103/7.186/8.156/3
 SORT 10.27,A
 SIZE .15
 HEADR CCT2,D,1S,N,1S,Y,5s,"PAGE",P,20s,"SUPPLEMENTAL BOARD ROSTER",
 HEADR " (SAT)",15S,"RRUF-086"
 HEADB CC10,"PANEL" PANEL MEMBER 1 2 3 SCORE R INTER-
 HEADB " ♦♦SAT SCORES♦♦ ",37S,"ACADEMIC"
 HEADC CC10,37S,"(55- S A Q VIEW TOTAL MATH VERB HIGH ",
 HEADC "SCHOOL CLASS C MAJOR"
 HEADD CC10,37S,"(100) E C E UNIT/ 1000- 500- 450-",26S,
 HEADD "JROTC A CHOICES DATE"
 HEADR CC11,"SSAN NAME",29S,"X E P RATING 1600 800 800 "
 HEADR "RANK/SIZE %ILE GPA UNIT P 1ST 2ND 69"
 CNTRS C1 = X
 PRT01 CC21,1/9.3S,10/27.6S,37/1.1S,38/1.1S,39/1.2S,40/4.1S,44/1.3S,
 PRT01 45/4.3S,49/2."0",3S,51/2."0",3S,53/4.1S,57/4.2S,61/2.".",63/1.
 PRT01 2S,64/1.".",65/2.3S,67/5.1S,72/2.2S,74/4.2S,78/4.2S,82/3
 PRTF1 CC22,"TOTAL == ".C1)4

086

DTL 1 = "C" OR "H" AND 176 = "1" AND 314 = "1" AND 329 = "
 DTL AND 154 = "00000" TO "99999" OR 129 = "000000" TO "999999",
 RCD1MSL15.2/36.91/1.98/1.182/1.114/4.185/1.289/6.310/2.281/8.351/3.278/3,
 RCD1MS 103/7.186/8.156/3
 SORT 10.27,A
 SIZE .15
 HEADR CCT2,D,1S,N,1S,Y,5S,"PAGE",P,20S,"SUPPLEMENTAL BOARD ROSTER",
 HEADR " (ACT)",15S,"RRUF-087"
 HEADB CC10,"PANEL" PANEL MEMBER 1 2 3 SCORE R INTER-
 HEADB " ♦♦ACT SCORES♦♦ ",37S,"ACADEMIC"
 HEADC CC10,37S,"(55- S A Q VIEW COMP MATH ENG HIGH ",
 HEADC "SCHOOL CLASS C MAJOR"
 HEADD CC10,37S,"(100) E C E UNIT/ 1000- 20- 19- ",27S,
 HEADD "JROTC A CHOICES DATE"
 HEADR CC11,"SSAN NAME",29S,"X E P RATING 1600 36 33 "
 HEADR "RANK/SIZE %ILE GPA UNIT P 1ST 2ND 69"
 CNTRS C1 = X
 PRT01 CC21,1/9.3S,10/27.6S,37/1.1S,38/1.1S,39/1.2S,40/4.1S,44/1.3S,
 PRT01 45/4.3S,49/2.3S,51/2.5S,53/4.1S,57/4.2S,61/2.".",63/1.
 PRT01 2S,64/1.".",65/2.3S,67/5.1S,72/2.2S,74/4.2S,78/4.2S,82/3
 PRTF1 CC22,"TOTAL == ".C1)4

087

DTL 1 = "C" OR "H" AND 176 = "1" AND 314 = "0" AND 185 = "1" TO "2"
 DTL AND 154 = "85103" TO "99999" AND 129 = "840701" TO "850416")
 RCD1MSL15.2/36.91/1.98/1.182/1.114/4.185/1.289/6.310/2.281/8.351/3.278/3,
 RCD1MS 103/7.186/8
 SORT 10.27,A
 SIZE .15
 HEADR CCT2,D,1S,N,1S,Y,5s,"PAGE",P,15S,"SELECTION BOARD ROSTER",
 HEADR " FOR INTERVIEW RATING OF 1 OR 2 (SAT)",15S,"RRUF-088"
 HEADB CC10,"PANEL" PANEL MEMBER 1 2 3 SCORE R INTER-
 HEADB " ♦♦SAT SCORES♦♦ ",37S,"ACADEMIC"
 HEADC CC10,37S,"(55- S A Q VIEW TOTAL MATH VERB HIGH ",
 HEADC "SCHOOL CLASS C MAJOR"
 HEADD CC10,37S,"(100) E C E UNIT/ 1000- 500- 450-",26S,
 HEADD "JROTC A CHOICES"
 HEADR CC11,"SSAN NAME",29S,"X E P RATING 1600 800 800 "
 HEADR "RANK/SIZE %ILE GPA UNIT P 1ST 2ND"
 CNTRS C1 = X
 PRT01 CC21,1/9.3S,10/27.6S,37/1.1S,38/1.1S,39/1.2S,40/4.1S,44/1.3S,
 PRT01 45/4.3S,49/2."0",3S,51/2."0",3S,53/4.1S,57/4.2S,61/2.".",63/1.
 PRT01 2S,64/1.".",65/2.3S,67/5.1S,72/2.2S,74/4.2S,78/4
 PRTF1 CC22,"TOTAL == ".C1)4

088

089

DTL 1 = "C" OR "H" AND 176 = "1" AND 314 = "1" AND 185 = "1" TO "2"
 DTL AND (154 = "85103" TO "99999" AND 129 = "840701" TO "850416")
 RCD1WSL15,2/36,91/1,98/1,182/1,114/4,185/1,289/6,310/2,281/8,351/3,278/3,
 RCD1WS 103/7,186/8
 SORT 10,27,A
 SIZE ,15
 HEADR CCT2,D,1S,N,1S,Y,5S,"PAGE",P,15S,"SELECTION BOARD ROSTER FOR",
 HEADR " INTERVIEW RATING OF 1 OR 2 (ACT)",15S,"RRUF-089"
 HEADB CC10,"PANEL* PANEL MEMBER* 1 2 3 SCORE R INTER-
 HEADB " ♦♦ACT SCORES♦♦ ",37S,"ACADEMIC"
 HEADC CC10,37S,"(55- S A Q VIEW COMP MATH ENG HIGH ",
 HEADC "SCHOOL CLASS C MAJOR"
 HEADD CC10,37S,"100) E C E UNIT/ 1000- 20- 19- ",27S,
 HEADD "JROTC A CHOICES"
 HEADR CC11,"SSAN NAME",29S,"X E P RATING 1600 36 33
 HEADR "RANK/SIZE %ILE GPA UNIT P 1ST 2ND"
 CNTS C1 = X
 PRT01 CC21,1/9,3S,10/27,6S,37/1,1S,38/1,1S,39/1,2S,40/4,1S,44/1,3S,
 PRT01 45/4,3S,49/2,3S,51/2,5S,53/4,1S,57/4,2S,61/2,.",,63/1,
 PRT01 2S,64/1,.",,65/2,3S,67/5,1S,72/2,2S,74/4,2S,78/4
 PPTF1 CC22,"TOTAL ==> ",C1J/4

090

DTL 1 = "C" OR "H" AND 176 = "1" AND 154 = "85103" TO "99999"
 DTL OR 129 = "840701" TO "850416") AND 185 = "3" TO "5"
 RCD1WSL10,2/36,314/1
 SORT 37,1,A,10,27,A
 0180SIZES ,10
 0190RCD01 L14,V"LABEL", "8B",1/14,1000, "5",5300

100

DTL 329 = "5" AND 1 = "S" OR "E" OR "T"
 RCD1WSL15,91/1,11/69,322/4,1/1
 SORT 2,27,A
 SIZE ,15
 HEADR CCT2,D,1S,N,1S,Y,15S,"SUPPLEMENTAL SCHOLARSHIP WINNER",
 HEADR " FOR WORD PROCESSING",15S,"RRUF-100"
 HEADB CC11,"SEX NAME AND ADDRESS",10S,"MAJOR",10S,"CURRENT STATUS"
 CNTS C1 = X
 PRT01 CC21," ",1/1,5S,2/27,71/4,15S,75/1
 PRT02 7S,29/20
 PRT03 7S,49/15,2S,64/2,2S,66/5
 PPTF1 CC31,"TOTAL ==> ",C1J/5

DTL 329 = "5"
 RCD1WSL20,2/36,326/19,295/9,289/4,186/8,322/4,182/1,98/1,1/1,181/1,
 RCD1WS 293/2,310/2,351/3,278/3
 SORT 10,27,A
 SIZES ,20
 HEADA CCT2,D,1S,N,1S,Y,35S,"BOARD ",40/1," SCORES",35S,
 HEADB CBPUF"\$SAN NAME",23S,"PA- INDIV SCORE TOTAL PROG ",
 HEADB "CEEB CLASS BOARD 1ST 2ND DCF QEP/ STAT/ MATH/ GPA/"
 HEADC CC02,39S,"NEL 1 2 3 SCORE COMP STAND RANK",
 HEADC " PREF PREF RACE PREV VERB %ILE"
 CNTRS C1 = X
 PRT01 CC11,1/9,3S,10/27,1S,46/1,2S,47/3,1S,50/3,1S,53/3,2S,
 PRT01 37/3,3S,61/4,2S,65/4,2S,56/4,3S,41/5,2S,69/4,1S,73/4,2S,
 PRT01 77/4,2S,81/1,2S,82/1,2S,83/1,2S,84/1,3S,85/2,1S,87/2,3S,92/3,89/
 CRTF1 CC31,"TOTAL = ",C1J/4

102

DTL 329 = "5"
 RCD1WSL20,2/36,326/19,295/9,289/4,186/8,322/4,182/1,98/1,1/1,181/1
 SORT 46,1,A,37,3,D,60,5,D,65,4,D,56,4,D,10,27,A
 SIZES ,20
 HEADA CCT2,D,1S,N,1S,Y,25S,"SIMULATED BOARD RANK ROSTER",
 HEADB 30S,"RRUF-102"
 HEADB CC11,"SSAN NAME",23S,"BOARD/ ♦♦PANEL♦♦ TOTAL PROG ",
 HEADB " CEEB CLASS BOARD 1ST 2ND DCF QEP/ STAT/"
 HEADC CC01,39S,"PANEL SCORES SCORE COMP SCORE STAND RANK",
 HEADC " PREF PREF RACE PREV"
 CTL B1 = 37/3, B2 = 46/1
 CNTRS C1 = X
 PRT01 CC11,1/9,3S,10/27,1S,40/1,2S,46/1,2S,47/3,1S,50/3,1S,53/3,2S,
 PRT01 37/3,3S,60/5,2S,65/4,2S,56/4,3S,41/5,2S,69/4,1S,73/4,2S,
 PRT01 77/4,2S,81/1,2S,82/1,2S,83/1,2S,84/1
 PRT11 CC23,"TOTAL ",37/3," = ",C1J/4
 CRT21 CC21,10S,"PANEL ",46/1," TOTAL = ",C1J/4
 CRTF1 "GRAND TOTAL = ",C1J/4

103

DTL 1 = "C" OR "H" OR "M" OR "D" AND 176 = "1" AND 329 = "4"
 DTL AND 335 = "A" TO "E" AND
 DTL (338 - "0" OR "5" OR 341 - "0" OR "5" OR 344 - "0" OR "5")
 DTL AND 326 - " "
 RCD1WSL20,2/36,326/19,295/9,289/4,186/8,322/4,182/1,98/1,1/1,181/1,
 RCD1WS 176/1,329/1,335/1
 SORT 46,1,A,10,27,A
 SIZES ,20
 HEADA CCT2,D,1S,N,1S,Y,30S,"BOARD SCORES NOT ENDING IN ZERO",
 HEADB " OR FIVE",15S,"RRUF-103"
 HEADB CC11,"SSAN NAME",23S,"BOARD/ ♦♦PANEL♦♦ TOTAL PROG ",
 HEADB " CEEB CLASS BOARD 1ST 2ND DCF QEP/ STAT/"
 HEADC CC01,39S,"PANEL SCORES SCORE COMP SCORE STAND RANK",
 HEADC " PREF PREF RACE PREV"
 CTL B1 = 46/1
 CNTRS C1 = X
 PRT01 CC11,1/9,3S,10/27,1S,40/1,2S,46/1,2S,47/3,1S,50/3,1S,53/3,2S,
 PRT01 37/3,3S,60/5,2S,65/4,2S,56/4,3S,41/5,2S,69/4,1S,73/4,2S,
 PRT01 77/4,2S,81/1,2S,82/1,2S,83/1,2S,84/1
 CRT11 CC22,"PANEL ",46/1," TOTAL = ",C1J/4
 CRTF1 CC33,"GRAND TOTAL = ",C1J/4

104

DTL 1 - "C" OR "H" OR "M" OR "S" OR "E" OR "T" OR "A" OR "L"
 DTL AND 329 - " "
 RCD1WSL20, 2/36, 326/19, 295/9, 289/4, 186/8, 322/4, 182/1, 98/1, 111, 181/1,
 RCD1WS 206/15
 SORT 40, 1, A, 83, 1, A, 10, 27, A
 SIZE ,20
 HEADR CCT2, D, 1S, N, 1S, Y, 25S, "BOARD SCORES NOT C, H, T, E, OR S STATUS"
 HEADR 25S, "RRUF-104"
 HEADR CC11, "SSAN NAME", 23S, "BOARD/ ♦♦PANEL♦♦ TOTAL PRG "
 HEADR " CEEB CLASS BOARD 1ST 2ND DCF QEP/ STAT/ DISQUALS"
 HEADR CC01, 39S, "PANEL SCORES SCORE COMP SCORE STAND RANK"
 HEADR " PREF PREF RACE PREV"
 CNTRS B1C# 40X1
 PRT01 CC11, 1/9, 3S, 10/27, 1S, 40/1, 2S, 46/1, 2S, 47/3, 1S, 50/3, 1S, 53/3, 2S,
 PRT01 37/3, 3S, 60/5, 2S, 65/4, 2S, 56/4, 3S, 41/5, 2S, 69/4, 1S, 73/4, 2S,
 PRT01 77/4, 2S, 81/1, 2S, 82/1, 2S, 83/1, 2S, 84/1, 2S, 85/3, 1S, 88/3, 1S, 91/3
 PRT11 CC23, "BOARD ", 40/1, " TOTAL = ", C1J/4
 PRTF1 "GRAND TOTAL = ", C1J/4

105

DTL 1 = "C" OR "H" AND 176 = "2"
 DTL AND 336 = " " AND 339 = " " AND 342 = " " AND 326 = " "
 DTL AND (154 = "85074" TO "99999" OR 129 = "840701" TO "850419")
 RCD1WSL10, 2/36, 154/5, 185/1, 103/5, 314/1, 1/1
 SORT 48, 1, A, 10, 27, A
 SIZE ,10
 HEADR CCT2, D, 1S, N, 1S, Y, 20S, "8B CARD FORMATS FOR RRUF-086 AND ",
 HEADR "087", 20S, "RRUF-105"
 HEADR CC21, "PUNCH 8B CARD AFTER ENTERING CC", 10S, "THE REST OF ",
 HEADR "THIS INFORMATION IS NOT PUNCHED.", 10S, "0=STAT"
 HEADR CC01, "PANEL AND SCORES IN CC 17-26 27", 10S, "FULL NAME", 20S,
 HEADR "INT-DATE RATING JROTC", 2S, "1=ACT", 2S, "STAT"
 CTL B1 = 48/1
 CNTRS C1 = X
 PRT01 CC11, "8B", 1/14, 18S, "1", 10S, 10/27, 3S, 37/2, 1S, 39/3, 5S, 42/1, 5S, 43/5,
 PRT01 48/1, 5S, 49/1
 PRT11 CC2T, "TOTAL ", 48/1, " = ", C1J/3
 PRTF1 CC22, "GRAND TOTAL = ", C1J/4

106

DTL 176 = "1"
 RCD1WSL20, 11/27, 236/20, 351/3, 278/3, 289/4, 98/20, 185/9, 182/1, 1/1, 322/4, 125/
 SORT 74, 4, A, 1, 27, A
 SIZE ,20
 HEADR CCT2, D, 1S, N, 1S, Y, 10S, "FOUR-YEAR SCHOLARSHIP ",
 HEADR "INTERVIEWS RECORDED (BY ADMIN UNIT)", 15S, "RRUF-106"
 HEADR CC11, "NAME", 25S, "HIGH SCHOOL", 12S, "%ILE OR GPA CEEB JROTC",
 HEADR "CAP ACADEMIC DET DET + QEP/ STA- SCHOL"
 HEADR CC01, 85S, "CHOICES PREF RATING RACE TUS MAJOR"
 CTL B1 = 74/4
 CNTRS C1 = X
 PRT01 CC11, 1/27, 2S, 28/20, 3S, 48/2, " ", 50/1, 3S, 51/1, " ", 52/2, 3S, 54/4,
 PRT01 3S, 63/5, 2S, 68/2, 3S, 79/4, 1S, 83/4, 3S, 59/4, 2S, 74/4, 1S, 78/1, 3S,
 PRT01 87/1, 2S, 58/1, 4S, 88/1, 4S, 89/4
 PRT11 CC11, "NOTE - CEEB IS SAT TOTAL (1000-1600) OR ACT COMPOSITE "
 PRT11 "(23-36) CONVERTED TO SAT TOTAL (1010-1600) USING "
 PRT11 "TABLE IN AFROTCR 45-13."
 PRT12 CC1T, "TOTAL ", 74/4, " = ", C1J/3
 PRTF1 CC31, "TOTAL = ", C1J/5

107

DTL 176 = "1" AND 125 = "NE05"
 RCD1WSL20, 11/27, 236/20, 351/3, 278/3, 289/4, 98/20, 185/9, 182/1, 1/1, 322/4, 125
 SORT 93, 4, A, 1, 27, A
 SIZE ,20
 HEADA CCT2, D, 1S, N, 1S, Y, 15S, "FOUR-YEAR SCHOLARSHIP ",
 HEADB "INTERVIEWS RECORDED (BY ADCO AREA)", 15S, "RRUF-107"
 HEADC CC11, "NAME", 25S, "HIGH SCHOOL", 12S, "%ILE OR GPA CEEB JRTOC/
 HEADD "CAP ACADEMIC DET DET + GEP/ STA- SCHOL"
 HEADE CC01, 85S, "CHOICES PREF RATING RACE TUS MAJOR"
 CTL B1 = 93/4
 CNTRS C1 = X
 PRT01 CC11, 1/27, 2S, 28/20, 3S, 48/2, ".", 50/1, 3S, 51/1, ".", 52/2, 3S, 54/4,
 PRT01 3S, 63/5, 2S, 68/2, 3S, 79/4, 1S, 83/4, 3S, 59/4, 2S, 74/4, 1S, 78/1, 3S,
 PRT01 87/1, 2S, 58/1, 4S, 88/1, 4S, 89/4
 PRT11 CC31, "NOTE - CEEB IS SAT TOTAL (1000-1600) OR ACT COMPOSITE
 PRT11 "(23-36) CONVERTED TO SAT TOTAL (1010-1600) USING ",
 PRT11 "TABLE IN AFROTCR 45-13."
 PRT12 CC3T, "TOTAL FOR ADCO ", 93/4, " = ", C1J/3
 PRTF1 CC32, "TOTAL = ", C1J/5

108

DTL 329 = "4" AND
 DTL ((335 = "A" AND 326 = "178" TO "200") OR
 DTL (335 = "B" AND 326 = "178" TO "240") OR
 DTL (335 = "C" AND 326 = "178" TO "265") OR
 DTL (335 = "D" AND 326 = "178" TO "210") OR
 DTL (335 = "E" AND 326 = "178" TO "225") OR
 DTL (335 = "F" AND 326 = "178" TO "225") OR
 DTL (335 = "G" AND 326 = "178" TO "225") OR
 DTL (335 = "H" AND 326 = "178" TO "225") OR
 DTL (335 = "I" AND 326 = "178" TO "225")
 RCD1WSL10, 2/14, 330/5, 335/1, 326/3
 SORT 15, 5, A, 20, 1, A, 21, 3, D
 0190R1081 L14, VOLABEL", "7L", 1/14, "AG02", 60()

109

DTL 329 = "5" AND 98 = "N" OR "X"
 RCD1WSL20, 2/36, 326/19, 295/9, 289/4, 186/8, 322/4, 182/1, 98/1, 1/1, 181/1
 SORT 40, 1, A, 8, 1, A, 46, 1, A, 37, 3, D, 60, 5, D, 65, 4, D, 56, 4, D, 10, 27, A
 SIZES ,20
 HEADA CCT2, D, 1S, N, 1S, Y, 20S, "SIMULATED BOARD RANK ROSTER FOR ",
 HEADB "MINORITIES", 20S, "RRUF-109"
 HEADC CC11, "SSAM NAME", 23S, "BOARD/ ♦♦PANEL♦♦ TOTAL PROG
 HEADD " CEEB CLASS BOARD 1ST 2ND DCF GEP/ STAT/"
 HEADE CC01, 39S, "PANEL SCORES SCORE COMP SCORE STAND RANK"
 HEADF " PREF PREF RACE PREV"
 CTL B1 = 46/1, B2 = 82/1
 CNTRS C1 = X
 PRT01 CC11, 1/9, 3S, 10/27, 1S, 40/1, 2S, 46/1, 2S, 47/3, 1S, 50/3, 1S, 53/3, 2S,
 PRT01 37/3, 3S, 61/4, 3S, 65/4, 2S, 56/4, 3S, 41/5, 2S, 69/4, 1S, 73/4, 2S,
 PRT01 77/4, 2S, 81/1, 2S, 82/1, 2S, 83/1, 2S, 84/1
 PRT11 CC23, "TOTAL ", 82/1, " SCORED BY PANEL ", 46/1, " = ", C1J/4
 PRT21 CC2T, 10S, "TOTAL ", 82/1, " = ", C1J/4
 PRTF1 CC31, "TOTAL MINORITIES SCORED BY BOARD ", 40/1, " = ", C1J/5

01TL 1 = "S" OR "E" OR "T" AND 129 = "850127" TO "999999"
 02CD1WSL15, 2/36, 329/1, 335/1, 326/3, 330/5, 322/4, 1/1
 03SORT 37, 1, A, 10, 27, A
 04SIZE , 15
 05HEAD A CCT2, D, 1S, N, 1S, Y, 35S, "T STATUS", 20S, "RRUF-110"
 06HEAD B CC11, 54S, "TOTAL BRD"
 07HEAD C CC11, "SSAN", 9S, "NAME", 27S, "BRD PAN SCORE RANK DCF"
 08HEAD D , 3S, "STAT"
 09TL B1 = 37/1
 10CNTRS C1 = X
 11PRT01 CC11, 1/9, 4S, 10/27, 5S, 37/1, 4S, 38/1, 4S, 39/3, 4S, 42/5, 3S, 47/4, 2S, 51/4
 12PRT11 CCT2, "TOTAL = ", C1/J/4
 13PRTF1 CC11, "TOTAL = ", C1/J/4

111

140DTL (206 = "602" OR 209 = "602" OR 212 = "602" OR 215 = "602"
 150DTL OR 218 = "602") AND 129 = "850429" TO "999999"
 160CD1WSL18, 2/78, 206/12, 1/1
 170SORT 10, 27, A
 180SIZE , 15
 190HEAD A CCT2, D, 1S, N, 1S, Y, 20S, "602 ON LAST BOARD", 10S, "RRUF-111"
 200CNTRS C1 = X
 210PRT01 CC21, 1/9, 3S, 10/27, 3S, 37/20, 3S, 57/15, 3S, 72/2, 3S, 74/5, 2S, 79/3, 2
 220PRT01 82/3, 2S, 85/3, 2S, 88/3, 2S, 91/1
 230PRTF1 CC11, "TOTAL = ", C1/J/4

112

01TL 1 - "0" AND
 0140DTL (80 = "2" OR 99 = " " OR 81 = " " OR
 0150DTL 92 = " " OR 91 = " " OR 98 = " " OR 314 = " " OR 185 = " "
 0160DTL OR 236 = " " OR 186 = " ") AND 329 = " "
 02CD1WSL20, 2/9, 11/27, 1/1, 80/1, 99/4, 81/10, 92/6, 91/1, 98/1, 278/3, 351/3, 314/1,
 03CD1WS 236/4, 186/4, 190/4, 206/3, 209/3, 212/3, 215/3, 218/3, 185/1
 0400SORT 10, 27, A
 0505SIZE , 20
 06210HEAD A CCT2, D, 1S, N, 1S, Y, 20S, "APPLICANTS SCORED BY THE BOARD"
 07220HEAD A " BUT MISSING BASIC INFORMATION", 20S, "RRUF-112"
 08230HEAD B CC11, "SSAN", 7S, "NAME", 23S, "STAT ACAD DET TELE- BIRTH",
 09240HEAD B " SEX/ GPA OR SAT/ HIGH ACADEMIC DISQUALIFICATIONS",
 10HEAD C " FORM"
 11250HEAD C 44S, "WAIV PREF", 2S, "PHONE", 3S, "DAY RACE CLASS% ACT SC
 12HEAD D 4S, "MAJORS", 25S, "69"
 13260HEAD D 44S, "(18) (19) (37) (47) (63) (65,8) (1B) "
 14270HEAD D "(7C) (7U) (7L)", 16S, "(7J)"
 15275HEADE " "
 16280CNTRS C1 = X
 17290PRT01 1/9, 2S, 10/27, 2S, 37/1, 4S, 38/1, 4S, 39/4, 3S, 43/3, 3S, 53/6, 2S, 59/1,
 18300PRT01 2S, 60/1, 2S, 61/6, 3S, 67/1, 4S, 68/4, 2S, 72/4, 1S, 76/4, 2S, 80/3,
 19310PRT01 1S, 83/3, 1S, 86/3, 1S, 89/3, 1S, 92/3, 2S, 95/1
 20PRT02 " "
 21PRTF1 "A '2' FOR THE WAIVER CODE MEANS THAT THE 7B CARD WAS NOT RUN; "
 22PRTF1 "IF YOU ENTER THE MISSING DATA WITH A 7G CARD INSTEAD "
 23PRTF2 "OF THE 7B, ENTER THE APPROPRIATE WAIVER CODE OF '1' OR '3' "
 24PRTF3 "TO REMOVE THE APPLICANT FROM THIS LIST."
 0320PRTF3 CC21, "TOTAL = ", C1/J/3

114

DTL 1 = "T" AND 322 = "41YY"
 RCD1MCL15, 2/36, 330/4, 322/4
 SORT 37, 4, A
 SIZE .15
 HEADR OCT2, D, 1S, N, 1S, Y, 35S, "T STATU WITH 41YY", 20S, "RRUF-113"
 HEADR
 NTRS C1 = X
 RT01 CC11, 1/9, 3S, 10, 27
 PRTF1 CC11, "TOTAL = ", C1J/4

114

DTL 1 = "H" OR "L" OR "A" AND 129 = "850127" TO "999999"
 RCD1MCL25, 2/36, 1/1, 181/1, 345/1, 129/6, 118/2
 SORT 37, 1, A, 10, 27, A
 SIZE .15
 HEADR OCT2, D, 1S, N, 1S, Y, 20S, "H AND L LIST", 10S, "RRUF-114"
 HEADR CC21, "SSAN", 10S, "NAME", 29S, "STAT PRE PRI CHS DT",
 HEADR 4S, "MED STAT"
 OCTL B1 = 37/1
 NTRS C1 = X
 RT01 CC21, 1/9, 5S, 10/27, 5S, 37/1, 5S, 38/1, 4S, 39/1, 8S, 40/6, 4S, 46/2
 PRTF1 CC11, "TOTAL = ", C1J/4
 PRTF1 CC11, "TOTAL = ", C1J/4

115

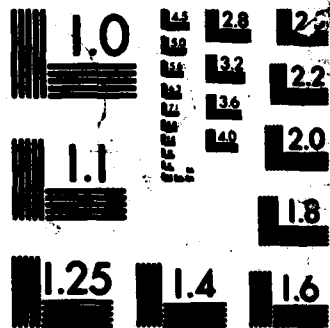
DTL 330 = "3663" TO "3969" AND 1 = "S" OR "E" OR "T" OR F
 RCD1MCL10, 2/14, 330/5, 335/1, 326/3
 SORT 15, 5, A, 20, 1, A, 21, 3, D
 SIZES .10
 RCD01 L14, V"LABEL", "7L", 1/14, "A602", 60()

118

DTL 1 = "A" OR "L"
 RCD1MCL10, 2/36, 186/8, 144/5, 118/2, 1/1
 SORT 10, 27, A
 SIZES .10
 RCD01 L14, V"LABEL", 1/9, 1(), 10/27, 8(), 37/4, 2(), 41/4, 2(),
 RCD01 45/5, 2(), 50/2, 2(), 52/1, 11()

119

DTL 329 = "1" AND 98 = "N" OR "X"
 RCD1MCL20, 2/36, 326/15, 295/9, 269/4, 166/8, 322/4, 182/1, 98/1, 1/1, 181/1
 SORT 41, 5, A
 SIZES .20
 HEADR OCT2, D, 1S, N, 1S, Y, 20S, "BOARD RANK ROSTER FOR ",
 HEADR "MINORITIES", 20S, "RRUF-119"
 HEADR CC11, "SSAN NAME", 23S, "BOARD/ **PANEL** TOTAL PRG ",
 HEADR " CEEB CLASS BOARD 1ST 2ND DCF DEP/ STAT/"
 HEADR CC01, 39S, "PANEL SCORES SCORE COMP SCORE STAND RANK",
 HEADR " PREF PREF RACE PREV"
 NTRS C1 = X
 RT01 CC11, 1/9, 3S, 10/27, 1S, 40/1, 2S, 46/1, 2S, 47/3, 1S, 50/3, 1S, 53/3, 2S,
 RT01 37/3, 3S, 61/4, 3S, 65/4, 2S, 56/4, 3S, 41/5, 2S, 69/4, 1S, 73/4, 2S,
 RT01 77/4, 2S, 81/1, 2S, 82/1, 2S, 83/1, 2S, 84/1
 PRTF1 CC31, "TOTAL MINORITIES SCORED BY BOARD ", 40/1, " = ", C1J/5



MICROCOPY

CHART

DTL 176 = "1" AND 1 - "0" OR "H" OR "I" OR "E" OR "L" OR "O" OR "U"

DTL 00 "A" OR "L" AND

DTL 206 - "A" TO "D" AND 206 - "F" TO "H" AND

DTL 209 - "A" TO "D" AND 209 - "F" TO "H" AND

DTL 212 - "A" TO "D" AND 212 - "F" TO "H" AND

DTL 215 - "A" TO "D" AND 215 - "F" TO "H" AND

DTL 218 - "A" TO "D" AND 218 - "F" TO "H"

0150RCD1MSL28.1/1,91/1,11/27,81/10,2/9,289/4,314/1,281/4,285/4,351/3,186/4,99/2

0160RCD1MS 144/5,118/2,125/4,322/4,98/1,38/20,58/15,73/2,75/5,293/2,310/2,

0170RCD1MS 278/3,190/4,114/4,185/1,206/15,182/1,329/1

0180SORT 3,27.A

0190SIZE ,28

0200HEADA CCT2,D,1S,N,1S,Y,15S,"INTERVIEW RECORDED BUT NOT",

0210HEADA " A FINALIST OR DESIGNEE",15S,"RRUF-120"

0220HEADB CC11,"STA- SEX NAME",25S,"TELEPHONE SSAN *CEEBSAT=0",

0230HEADB 4S,"H.S. CLASS ACADEMIC DETACHMENT MED ADDO SCHOL"

0240HEADC "TUS",58S,"SCORE ACT=1 RANK/SIZE/%ILE CHOICES PREF",

0250HEADC " ADMIS",16S,"MAJOR"

0260HEADD "DEF",88S,"(FIRST)"

0270HEADF "RACE ED STREET",16S,"CITY",13S,"ST ZIP",6S,"MATH VERB GPA"

0280HEADF " (A=4.00) (SECOND) ADMIN--INT DISQUALIFICATIONS"

0300CNTRS C1 = X

0310PRT01 CC21,1S,1/1,4S,2/1,3S,3/27,2S,30/10,2S,40/9,2S,49/4,4S,53/1,4S,

0320PRT01 54/4,1S,58/4,1S,62/2,".",,64/1,4S,65/4,4S,69/4,1S,73/5,3S,78/2,

0330PRT01 2S,80/4,6S,84/4

0340PRT02 162/1,2S,88/1,3S,163/1,2S,89/20,2S,109/15,2S,124/2,2S,126/5,5S,

0350PRT02 131/2,4S,133/2,4S,135/1,".",,136/2,14S,138/4,4S,142/4,3S,146/1,4S,

0355PRT02 147/3,1S,150/3,1S,153/3,1S,156/3,1S,159/3

0380PRTF1 CC31,"* CEEB SCORE IS SAT MATH + VERBAL (0400-1600) OR ACT"

0390PRTF1 " COMPOSITE", " (1-36) CONVERTED TO SAT TOTAL (USING WASS "

0400PRTF1 " CONVERSION CHART) "

PRTF2 CC11, "TOTAL = "IC1374

121

DTL 1 - "0" AND ((176 - "1" OR "2" OR " ") =

DTL (185 - "1" TO "6" AND 176 = "1") OR (165 - " " AND 176 = "1")

0150RCD1MSL28.1/1,91/1,11/27,81/10,2/9,289/4,314/1,281/4,285/4,351/3,186/4,99/2

0160RCD1MS 144/5,118/2,125/4,322/4,98/1,38/20,58/15,73/2,75/5,293/2,310/2,

0170RCD1MS 278/3,190/4,114/4,185/1,206/15,176/1

0180SORT 3,27.A

0190SIZE ,28

0200HEADA CCT1,D,1S,N,1S,Y,20S,"INTERVIEW RATING NOT",

0210HEADA " 1 TO 6 OR RATING WITHOUT INTERVIEW RECORDED",20S,"RRUF-121"

0220HEADB 34S," OR INTERVIEW STATUS NOT 1 OR 2 OR BLANK"

0230HEADC CC21,"STA- SEX NAME",25S,"TELEPHONE SSAN *CEEBSAT=0",

0240HEADC 4S,"H.S. CLASS ACADEMIC DETACHMENT MED ADDO SCHOL"

0250HEADC "TUS",58S,"SCORE ACT=1 RANK/SIZE/%ILE CHOICES PREF",

0260HEADC " ADMIS",16S,"MAJOR"

0270HEADD 92S,"(FIRST)"

0280HEADF 3S,"RACE STREET",16S,"CITY",13S,"ST ZIP",6S,"MATH VERB GPA"

0290HEADF " (A=4.00) (SECOND) ADMIN--INT DISQUALIFICATIONS"

0300CNTRS C1 = X

0310PRT01 CC21,1S,1/1,4S,2/1,3S,3/27,2S,30/10,2S,40/9,2S,49/4,4S,53/1,4S,

0320PRT01 54/4,1S,58/4,1S,62/2,".",,64/1,4S,65/4,4S,69/4,1S,73/5,3S,78/2,

0330PRT01 2S,80/4,6S,84/4

0340PRT02 4S,88/1,5S,89/20,2S,109/15,2S,124/2,2S,126/5,5S,131/2,4S,133/2,

0350PRT02 4S,135/1,".",,136/2,14S,138/4,4S,142/4,2S,162/1,1S,146/1,3S,

0355PRT02 147/3,1S,150/3,1S,153/3,1S,156/3,1S,159/3

0360PRT03 " "

0380PRTF1 CC11,"* CEEB SCORE IS SAT MATH + VERBAL (0400-1600) OR ACT"

0390PRTF1 " COMPOSITE", " (1-36) CONVERTED TO SAT TOTAL (USING WASS "

0400PRTF1 " CONVERSION CHART)

PRTF2 CC11, "TOTAL = "IC1374 8-32

DTL 329 = "5" AND 98 = "N" OR "X"
 ROD1MSL 20,2/36,326/19,295/9,289/4,186/8,322/4,182/1,98/1,1/1,181/1
 SORT 10,27,A
 SIZE .20
 HEADR CCT2,D,1S,N,1S,Y,20S,
 HEADR "MINORITIES SCORED BY BOARD",20S,"RRUF-123"
 HEADB CC11,"SSAN NAME",23S,"BOARD/ ♦♦PANEL♦♦ TOTAL PROG ",
 HEADB " CEEB CLASS BOARD 1ST 2ND DCF DEP/ STAT/"
 HEADC CC01,39S,"PANEL SCORES SCORE COMP SCORE STAND RANK",
 HEADC " PREF PREF RACE PREV"
 CNTRS C1 = X
 PRT01 CC11,1/9,3S,10/27,1S,40/1,2S,46/1,2S,47/3,1S,50/3,1S,53/3,2S,
 PRT01 37/3,3S,61/4,3S,65/4,2S,56/4,3S,41/5,2S,69/4,1S,73/4,2S,
 PRT01 77/4,2S,81/1,2S,82/1,2S,83/1,2S,84/1
 PRTF1 CC31,"TOTAL MINORITIES SCORED BY BOARD ",40/1," = ".C1J/5

180

DTL 1 = "C" OR "H" AND 314 = "0"
 ROD1MSL 15,2/36,91/1,98/1,182/1,114/4,185/1,289/6,310/2,281/8,351/3,278/3,
 ROD1MS 103/7,186/8,156/3,131/4
 SORT 10,27,A
 SIZE .15
 HEADR CCT2,D,1S,N,1S,Y,5S,"PAGE",P,15S,"CUMULATIVE SELECTION BOARD ROSTE
 " (SAT)",15S,"RRUF-180"
 HEADB CC10,"PANEL♦ PANEL MEMBER♦ 1 2 3 SCORE R INTER-"
 HEADB " ♦♦SAT SCORES♦♦ ",36S,"ACADEMIC",1S,"DATE STAT"
 HEADC CC10,37S,"(55- S A O VIEW TOTAL MATH VERB HIGH ",
 HEADC "SCHOOL CLASS C MAJOR",5S,"69 CHG"
 HEADD CC10,37S,"100) E C E UNIT/ 1000- 500- 450-",26S,
 HEADD "JROTC A CHOICES",3S,"IN DATE"
 HEADC CC11,"SSAN NAME",29S,"X E P RATING 1600 800 800 ",
 HEADC "RANK/SIZE %ILE GPA UNIT P 1ST 2ND"
 CNTRS C1 = X
 PRT01 CC21,1/9,3S,10/27,6S,37/1,1S,38/1,1S,39/1,2S,40/4,1S,44/1,3S,
 PRT01 45/4,3S,49/2,"0",3S,51/2,"0",3S,53/4,1S,57/4,2S,61/2,".",63/1,
 PRT01 2S,64/1,".",65/2,3S,67/5,1S,72/2,2S,74/4,1S,78/4,1S,82/3,1S,85/4
 PRTF1 CCT2,"TOTAL ==> ".C1J/5

181

DTL 1 = "C" OR "H" AND 314 = "1"
 ROD1MSL 15,2/36,91/1,98/1,182/1,114/4,185/1,289/6,310/2,281/8,351/3,278/3,
 ROD1MS 103/7,186/8,156/3,131/4
 SORT 10,27,A
 SIZE .15
 HEADR CCT2,D,1S,N,1S,Y,5S,"PAGE",P,15S,"CUMULATIVE SELECTION BOARD ROSTER",
 " (ACT)",15S,"RRUF-181"
 HEADB CC10,"PANEL♦ PANEL MEMBER♦ 1 2 3 SCORE R INTER-"
 HEADB " ♦♦ACT SCORES♦♦ ",36S,"ACADEMIC",1S,"DATE STAT"
 HEADC CC10,37S,"(55- S A O VIEW COMP MATH ENG HIGH ",
 HEADC "SCHOOL CLASS C MAJOR",5S,"69 CHG"
 HEADD CC10,37S,"100) E C E UNIT/ 1000- 20- 19- ",27S,
 HEADD "JROTC A CHOICES",3S,"IN DATE"
 HEADC CC11,"SSAN NAME",29S,"X E P RATING 1600 36 33 ",
 HEADC "RANK/SIZE %ILE GPA UNIT P 1ST 2ND"
 CNTRS C1 = X
 PRT01 CC21,1/9,3S,10/27,6S,37/1,1S,38/1,1S,39/1,2S,40/4,1S,44/1,3S,
 PRT01 45/4,3S,49/2,3S,51/2,5S,53/4,1S,57/4,2S,61/2,".",63/1,
 PRT01 2S,64/1,".",65/2,3S,67/5,1S,72/2,2S,74/4,1S,78/4,1S,82/3,1S,85/4
 PRTF1 CCT2,"TOTAL ==> ".C1J/5

184

DTL 1 = "C" OR "H" AND 176 = "1" AND 98 = "N" OR "X" AND 314 = "0"
 DTL AND (154 = "00000" TO "99999" OR 129 = "000000" TO "999999")
 RCD1MSL15,2/36,91/1,98/1,182/1,114/4,185/1,289/6,310/2,281/8,351/3,278/3,
 RCD1MS 103/7,186/8
 SORT 38,1,A,10,27,A
 SIZE ,15
 HEADA CCT2,D,1S,N,1S,Y,5S,"PAGE",P,17S,"MINORITY SELECTION BOARD ",
 HEADA "ROSTER (SAT)",15S,"RRUF-184"
 HEADB CC10,"PANEL" PANEL MEMBER 1 2 3 SCORE R INTER-"
 HEADB " ♦♦SAT SCORES♦♦ ",37S,"ACADEMIC"
 HEADC CC10,37S,"(55- S A Q VIEW TOTAL MATH VERB HIGH ",
 HEADC "SCHOOL CLASS C MAJOR"
 HEADD CC10,37S,"100) E C E UNIT/ 1000- 500- 450-",261,
 HEADD "JROTC A CHOICES"
 HEADE CC11,"SSAN NAME",29S,"X E P RATING 1600 800 800 "
 HEADE "RANK/SIZE %ILE GPA UNIT P 1ST 2ND"
 CTL B1 = 38/1
 CNTR3 C1 = X
 PRT01 CC21,1/9,3S,10/27,6S,37/1,1S,38/1,1S,39/1,2S,40/4,1,44/1,3S,
 PRT01 45/4,3S,49/2,"0",3S,51/2,"0",3S,53/4,1S,57/4,2S,61/2,".",63/1,
 PRT01 2S,64/1,".",65/2,3S,67/5,1S,72/2,2S,74/4,2S,78/4
 PRT11 CC2T,"TOTAL ",38/1," = ",C1J/4
 PRTF1 CC22,"TOTAL = ",C1J/5

185

DTL 1 = "C" OR "H" AND 176 = "1" AND 98 = "N" OR "X" AND 314 = "1"
 DTL AND (154 = "00000" TO "99999" OR 129 = "000000" TO "999999")
 RCD1MSL15,2/36,91/1,98/1,182/1,114/4,185/1,289/6,310/2,281/8,351/3,278/3,
 RCD1MS 103/7,186/8
 SORT 38,1,A,10,27,A
 SIZE ,15
 HEADA CCT2,D,1S,N,1S,Y,5S,"PAGE",P,17S,"MINORITY SELECTION BOARD ",
 HEADA "ROSTER (ACT)",15S,"RRUF-185"
 HEADB CC10,"PANEL" PANEL MEMBER 1 2 3 SCORE R INTER-"
 HEADB " ♦♦ACT SCORES♦♦ ",37S,"ACADEMIC"
 HEADC CC10,37S,"(55- S A Q VIEW COMP MATH ENG HIGH ",
 HEADC "SCHOOL CLASS C MAJOR"
 HEADD CC10,37S,"100) E C E UNIT/ 1000- 20- 19- ",273,
 HEADD "JROTC A CHOICES"
 HEADE CC11,"SSAN NAME",29S,"X E P RATING 1600 36 33 "
 HEADE "RANK/SIZE %ILE GPA UNIT P 1ST 2ND"
 CTL B1 = 38/1
 CNTR3 C1 = X
 PRT01 CC21,1/9,3S,10/27,6S,37/1,1S,38/1,1S,39/1,2S,40/4,1S,44/1,3S,
 PRT01 45/4,3S,49/2,3S,51/2,5S,53/4,1S,57/4,2S,61/2,".",63/1,
 PRT01 2S,64/1,".",65/2,3S,67/5,1S,72/2,2S,74/4,2S,78/4
 PRT11 CC2T,"TOTAL ",38/1," = ",C1J/4
 PRTF1 CC22,"TOTAL ==> ",C1J/5

210

DTL 190 = "8ACV" AND 194 = " "
 • NOTE: THIS IS RRUF-210
 RCD1MSL10,2/36,186/8
 SORT 10,27,A
 SIZE ,10
 RCD01 L14,V"LABEL",7U,1/14,37/8,"8ACV",52()

231

140DTL 1 = "C" AND 98 = "N" OR "X" AND 289 = "1100" TO "9999"
 150RCD1MSL15,2/36,98/1,129/6,1/1,139/5,346/5
 160SORT 45,5,A,10,27,A
 170SIZE .15
 180HEADR CCT2,D,1S,N,1S,Y,35S,"MEDICAL LIST (DODMERB)",20S,"RRUF-231"
 190HEADB " "
 200CTL B1 = 45/5
 210CNTRS C1 = X
 220PRT01 CC11,1/9,3S,10/27,3S,37/1,3S,38/6,5S,44/1,5S,45/5
 230PRT11 CCT,"TOTAL = ",C1J/4
 240PRTF1 CCT2,"TOTAL = ",C1J/4

320

DTL (278 = "000" TO "249" OR 351 = "000" TO "744")
 DTL AND 1 = "S" OR "E" OR "T" AND 80 = "1"
 0150RCD1MSL50,1/1,91/1,11/27,81/10,2/9,289/4,314/1,281/4,285/4,351/3,186/4,99
 0160RCD1MS 144/5,118/2,125/4,322/4,98/1,38/20,58/15,73/2,75/5,293/2,310/2,
 0170RCD1MS 278/3,190/4,114/4,185/1,206/15,236/42,326/10,182/1,129/6,181/1
 0180SORT 88,1,A,3,27,A
 0190SIZE .50
 0200HEADR CCT2,D,1S,N,1S,Y,25S,"FOUR-YEAR SCHOLARSHIP "
 0200HEADR "DESIGNEES BELOW FINALIST MINIMA",25S,"RRUF-320"
 0220HEADB CC11,"STA- SEX NAME",25S,"TELEPHONE SSAN *CEEB SAT=0",
 0230HEADB 4S,"H.S. CLASS ACADEMIC DETACHMENT MED ADCO SCHOL"
 0240HEADC "TUS",58S,"SCORE ACT=1 RANK/SIZE/%ILE CHOICES PREF",
 0250HEADC " ADMIS",16S,"MAJOR"
 0260HEADD 92S,"(FIRST)"
 0270HEADD 3S,"RACE STREET",16S,"CITY",13S,"ST ZIP",6S,"MATH VERB GP"
 0280HEADD " (A=4.00) (SECOND) ADMIN--INT DISQUALIFICATIONS"
 HEADF 3S,"GPA",4S,"HIGH SCHOOL",11S,"H. S. CITY",7S,"ST",2S,"ZIP",
 HEADF 5S,"FANEL SCORE BOARD RANK",5S,"PREVIOUS",14S,"STATUS-DATE"
 0300CNTR: C1 = X
 0310PRT01 CC21,1S,1/1,4S,2/1,3S,3/27,2S,30/10,2S,40/9,2S,49/4,4S,53/1,4S,
 0320PRT01 54/4,1S,58/4,1S,62/2,".",64/1,4S,65/4,4S,69/4,1S,73/5,3S,78/2,
 0330PRT01 2S,80/4,6S,84/4
 0340PRT02 4S,88/1,5S,89/20,2S,109/15,2S,124/2,2S,126/5,5S,131/2,4S,133/2,
 0350PRT02 4S,135/1,".",136/2,14S,138/4,4S,142/4,3S,146/1,4S,147/3,1S,
 0355PRT02 150/3,1S,153/3,1S,156/3,1S,159/3
 0360PRT03 4S,214/1,5S,162/20,2S,182/15,2S,197/2,2S,199/5,5S,213/1,
 PRT03 5S,204/3,5S,207/1,4S,208/4,8S,221/1,19S,215/2,1S,217/2,1S,219/2
 0380PRTF1 CC31,"* CEEB SCORE IS SAT MATH + VERBAL (0400-1600) OR ACT"
 0390PRTF1 " COMPOSITE", (1-36) CONVERTED TO SAT TOTAL (USING WPSS "
 0400PRTF1 " CONVERSION CHART)."
 PRTF2 CC11,"TOTAL = ",C1J/4

321

DTL (278 = "000" TO "249" OR 351 = "000" TO "744")
 DTL AND 1 = "A" OR "L" AND 80 = "1" OR "3"
 0150RCD1WSL50.1/1,91/1,11/27,81/10,2/9,289/4,314/1,281/4,285/4,351/3,186/4,99/
 0160RCD1WS 144/5,118/2,125/4,322/4,98/1,38/20,58/15,73/2,75/5,293/2,310/2,
 0170RCD1WS 278/3,190/4,114/4,185/1,206/15,236/42,326/10,182/1,129/6,181/1
 0180SORT 88,1,A,3,27,A
 0190SIZE ,50
 0200HEADA CCT2,D,1S,N,1S,Y,25S,"FOUR-YEAR SCHOLARSHIP",
 0210HEADA "ALTERNATES BELOW FINALIST MINIMA",25S,"RRUF-321"
 0220HEADB CC11,"STA- SEX NAME",25S,"TELEPHONE SSAN *CEEB SAT=0",
 0230HEADB 4S,"H.S. CLASS ACADEMIC DETACHMENT MED ADDO SCHOL"
 0240HEADC "TUS",58S,"SCORE ACT=1 RANK/SIZE/%ILE CHOICES PREF",
 0250HEADC "ADMIS",16S,"MAJOR"
 0260HEADD 92S,"(FIRST)"
 0270HEADE 3S,"RACE STREET",16S,"CITY",13S,"ST ZIP",6S,"MATH VERB GP"
 0280HEADE " (A=4.00) (SECOND) ADMIN--INT DISQUALIFICATION"
 HEADF 3S,"DEF",4S,"HIGH SCHOOL",11S,"H. S. CITY",7S,"ST",2S,"ZIP",
 HEADF 5S,"PANEL SCORE BOARD RANK",5S,"PREVIOUS",14S,"STATUS-DATE"
 0300CNTR C1 = X
 0310PRT01 CC21,1S,1/1,4S,2/1,3S,3/27,2S,30/10,2S,40/9,2S,49/4,4S,53/1,4S,
 0320PRT01 54/4,1S,58/4,1S,62/2,".",64/1,4S,65/4,4S,69/4,1S,73/5,3S,78/2,
 0330PRT01 2S,80/4,6S,84/4
 0340PRT02 4S,88/1,5S,89/20,2S,109/15,2S,124/2,2S,126/5,5S,131/2,4S,133/2,
 0350PRT02 4S,135/1,".",136/2,14S,138/4,4S,142/4,3S,146/1,4S,147/3,1S,
 0355PRT02 150/3,1S,153/3,1S,156/3,1S,159/3
 0360PRT03 4S,214/1,5S,162/20,2S,182/15,2S,197/2,2S,199/5,5S,213/1,
 PRT03 5S,204/3,5S,207/1,4S,208/4,8S,221/1,19S,215/2,1S,217/2,1S,219/2
 0380PRTF1 CC31,"* CEEB SCORE IS SAT MATH + VERBAL (0400-1600) OR ACT"
 0390PRTF1 " COMPOSITE", " (1-36) CONVERTED TO SAT TOTAL (USING WPSS",
 0400PRTF1 " CONVERSION CHART)."
 PRTF2 CC11,"TOTAL = ",C1J/4

691

DTL 329 = "5" AND 326 = "H"
 * NOTE -- THIS IS RRUF-691
 RCD1WSL10.2/36,314/1
 SORT 37,1,A,10,27,A
 SIZE S ,10
 RCD01 L14,V"LABEL",76,1/14,"Q",63()

DTL 181 = "H" AND 1 = "Y" AND 129 = "840126" TO "840206"
 0150PCD1MSL28,1/1,91/1,11/27,81/10,2/9,289/4,314/1,281/4,285/4,351/3,186/4,99/
 0160PCD1MS 144/5,118/2,125/4,322/4,98/1,38/20,58/15,73/2,75/5,293/2,310/2.
 0170PCD1MS 278/3,190/4,114/4,185/1,206/15
 0180SORT 88,1,A,84,4,A,3,27,A
 0190SIZE ,28
 0200HEADR CCT2,D,1S,N,1S,Y,15S,"PREVIOUS H STATUS -- NOW WINNERS (BY RACE B)

0210HEADR " MAJOR",15S,"PRUF-700"
 0220HEADB CC11,"STA- SEX NAME",25S,"TELEPHONE SSAN *CEEB SAT=0",
 0230HEADB 4S,"H.S. CLASS ACADEMIC DETACHMENT MED ADD SCHOL"
 0240HEADC "TUS",58S,"SCORE ACT=1 RANK/SIZE/%ILE CHOICES PREF",
 0250HEADC " ADMIS",16S,"MAJOR"
 0260HEADD 92S,"(FIRST)"
 0270HEADD 3S,"RACE STREET",16S,"CITY",13S,"ST ZIP",6S,"MATH VERB GP"
 0280HEADD " (A=4.00) (SECOND) ADMIN--INT DISQUALIFICATIONS"
 HEADF " "
 0290CTL B1 = 88/1
 0300CNTRS C1 = X
 0310PRT01 CC11,1S,1/1,4S,2/1,3S,3/27,2S,30/10,2S,40/9,2S,49/4,4S,53/1,4S,
 0320PRT01 54/4,1S,58/4,1S,62/2,"." ,64/1,4S,65/4,4S,69/4,1S,73/5,3S,78/2,
 0330PRT01 2S,80/4,6S,84/4
 0340PRT02 4S,88/1,5S,89/20,2S,109/15,2S,124/2,2S,126/5,5S,131/2,4S,133/2,
 0350PRT02 4S,135/1,"." ,136/2,14S,138/4,4S,142/4,3S,146/1,4S,147/3,1S,
 0355PRT02 150/3,1S,153/3,1S,156/3,1S,159/3
 0360PRT03 " "
 0370PRT11 CC11,"TOTAL ".88/1." ==> ".C1J/5
 0380PRT#1 CC11,"* CEEB SCORE IS SAT MATH + VERBAL (0400-1600) OF ACT"
 0390PRT#1 " COMPOSITE"." (1-36) CONVERTED TO SAT TOTAL (USING WPS2 "
 0400PRT#1 "CONVERSION CHART)."
 PRT#2 CC11,"TOTAL = ".C1J/4

701

DTL 1 = "H" AND 129 = "000000" TO "840110"
 0150PCD1MSL28,1/1,91/1,11/27,81/10,2/9,289/4,314/1,281/4,285/4,351/3,186/4,99/
 0160PCD1MS 144/5,118/2,125/4,322/4,98/1,38/20,58/15,73/2,75/5,293/2,310/2.
 0170PCD1MS 278/3,190/4,114/4,185/1,206/15
 0180SORT 88,1,A,3,27,A
 0190SIZE ,28
 0200HEADR CCT2,D,1S,N,1S,Y,15S,"H STATUS AFTER BOTH NOVEMBER AND JANUARY "

0210HEADR "BOARDS (BY RACE)",15S,"PRUF-701"
 0220HEADB CC11,"STA- SEX NAME",25S,"TELEPHONE SSAN *CEEB SAT=0",
 0230HEADB 4S,"H.S. CLASS ACADEMIC DETACHMENT MED ADD SCHOL"
 0240HEADC "TUS",58S,"SCORE ACT=1 RANK/SIZE/%ILE CHOICES PREF",
 0250HEADC " ADMIS",16S,"MAJOR"
 0260HEADD 92S,"(FIRST)"
 0270HEADD 3S,"RACE STREET",16S,"CITY",13S,"ST ZIP",6S,"MATH VERB GP"
 0280HEADD " (A=4.00) (SECOND) ADMIN--INT DISQUALIFICATIONS"
 HEADF " "
 0290CTL B1 = 88/1
 0300CNTRS C1 = X
 0310PRT01 CC11,1S,1/1,4S,2/1,3S,3/27,2S,30/10,2S,40/9,2S,49/4,4S,53/1,4S,
 0320PRT01 54/4,1S,58/4,1S,62/2,"." ,64/1,4S,65/4,4S,69/4,1S,73/5,3S,78/2,
 0330PRT01 2S,80/4,6S,84/4
 0340PRT02 4S,88/1,5S,89/20,2S,109/15,2S,124/2,2S,126/5,5S,131/2,4S,133/2,
 0350PRT02 4S,135/1,"." ,136/2,14S,138/4,4S,142/4,3S,146/1,4S,147/3,1S,
 0355PRT02 150/3,1S,153/3,1S,156/3,1S,159/3
 0360PRT03 " "
 0370PRT11 CC11,"TOTAL ".88/1." ==> ".C1J/4
 0380PRT#1 CC11,"* CEEB SCORE IS SAT MATH + VERBAL (0400-1600) OF ACT"
 0390PRT#1 " COMPOSITE"." (1-36) CONVERTED TO SAT TOTAL (USING WPS2 "
 0400PRT#1 "CONVERSION CHART)."
 PRT#2 CC11,"TOTAL = ".C1J/4

711

DTL 181 = "H" AND 1 = "0" AND (206 = "G02" OR 209 = "G02" OR 212 = "G02"
 DTL OR 215 = "G02" OR 218 = "G02") AND 129 = "840126" TO "840206"
 0150RCD1WSL28,1/1,91/1,11/27,81/10,2/9,289/4,314/1,281/4,285/4,351/3,186/4,99
 0160RCD1WS 144/5,118/2,125/4,322/4,98/1,38/20,58/15,73/2,75/5,293/2,310/2,
 0170RCD1WS 278/3,190/4,114/4,185/1,206/15
 0180SDRT 88,1,A,84,4,A,3,27,A
 0190SIZE ,28
 0200HEADR CCT2,D,1S,N,1S,Y,15S,"PREVIOUS H STATUS -- NOW G02 (BY RACE BY",
 0210HEADR " MAJOR",15S,"RRUF-711"
 0220HEADB CC11,"STA- SEX NAME",25S,"TELEPHONE SSAN *CEEB SAT: ",
 0230HEADB 4S,"H.S. CLASS ACADEMIC DETACHMENT MED ADDO SCHUL"
 0240HEADC "TUS",58S,"SCORE ACT=1 RANK/size/%ILE CHOICES PREF",
 0250HEADC " ADMIS",16S,"MAJOR"
 0260HEADD 92S,"(FIRST)"
 0270HEADE 3S,"RACE STREET",16S,"CITY",13S,"ST ZIP",6S,"MATH VERB 100"
 0280HEADE " (A=4.00) (SECOND) ADMIN--INT DISQUALIFICATION."
 HEADF " "
 0290CTL B1 = 88/1
 0300CNTRS C1 = X
 0310PRT01 CC11,1S,1/1,4S,2/1,3S,3/27,2S,30/10,2S,40/9,2S,49/4,4S,53/1,4S,
 0320PRT01 54/4,1S,58/4,1S,62/2,".",64/1,4S,65/4,4S,69/4,1S,73/5,3S,78/2,
 0330PRT01 2S,80/4,6S,84/4
 0340PRT02 4S,88/1,5S,89/20,2S,109/15,2S,124/2,2S,126/5,5S,131/2,4S,133/2,
 0350PRT02 4S,135/1,".",136/2,14S,138/4,4S,142/4,3S,146/1,4S,147/3,1S,
 0355PRT02 150/3,1S,153/3,1S,156/3,1S,159/3
 0360PRT03 " "
 0370PRT11 CC11,"TOTAL ",88/1," ==> ".C1J/4
 0380PRTF1 CC11,"* CEEB SCORE IS SAT MATH + VERBAL (0400-1600) OF ACT"
 0390PRTF1 " COMPOSITE", (1-36) CONVERTED TO SAT TOTAL (USING WPSS ",
 0400PRTF1 "CONVERSION CHART)."
 PRTF2 CC11,"TOTAL = ".C1J/4

720

DTL 2 = "000000" AND 8 = "001"
 RCD1WSL99,11/80,91/80,171/32,225/74
 SIZE .99
 HEADR CC22,D,1S,N,1S,Y,20S,"MASTER CONTROL RECORD",20S,"RRUF-720"
 PRT01 CC22,1/22,3S,24/24,3S,50/16,"REPORTS--",63/24,3S,"M/L=",88/1,3S
 PRT01 ,91/5,"JULIAN=",99/5
 PRT02 CC22,101/12,3S,119/4,3S,"REPORTS--",123/10,3S,133/8,3S,143/16,
 PRT02 3S,161/22,3S,"ED/ALT RANK SW = ",203/1,3S,"FY=",204/4

IND

DTL 1 = "T" OR "L"
 PD1MSL30.1/1.91/1.11/27.81/10.2/9.289/4.314/1.281/4.285/4.351/3.186/4.99/4.
 PD1MS 144/5.118/2.125/4.322/4.98/1.38/20.58/15.73/2.75/5.293/2.310/2.
 PD1MS 278/3.190/4.114/4.185/1.206/9.182/1
 SORT 73.3.A.3.27.A
 SIZE .30
 HEADR CCT2,"DATE ",D,1S,N,1S,Y,15S,"T AND A FOR DODMERB",
 HEADR 15S,"RRUF-902"
 HEADR CC11,"STA- SEX NAME",25S,"TELEPHONE SSAN *CEEB SAT=0",
 HEADR 4S,"H.S. CLASS ACADEMIC DETACHMENT MED ADDO SCHOL"
 HEADR "TUS",57S,"SCORE ACT=1 RANK/SIZE/%ILE CHOICES PREF",
 HEADR " ADMIS",15S,"MAJOR"
 HEADR 92S,"(FIRST)"
 HEADR 3S,"RACE STREET",16S,"CITY",13S,"ST ZIP",6S,"MATH VERB GPA",
 HEADR " (A=4.00) (SECOND) ADMIN--INT DISQUALS QEP "
 CTL #1= 73/3
 CNTR? C1 = X
 PRT01 CC11,1S,1/1.4S,2/1.3S,3/27.2S,30/10.2S,40/9.2S,49/4.4S,53/1.4S,
 PRT01 54/4.1S,58/4.1S,62/2,",".64/1.4S,65/4.4S,69/4.1S,73/5.3S,78/2.
 PRT01 2S,80/4.6S,84/4
 PRT02 4S,88/1.5S,89/20.2S,109/15.2S,124/2.2S,126/5.5S,131/2.4S,133/2,
 PRT02 4S,135/1,",".136/2.14S,138/4.4S,142/4.3S,146/1.4S,147/3.1S,
 PRT02 150/3.1S,153/3.2S,156/1
 PRT03 " "
 PRT11 CC11,"TOTAL ",73/3,"=> ",C1J/5
 PRT12 CC11,"* CEEB SCORE IS SAT MATH + VERBAL (0400-1600) OR ACT"
 PRT12 " COMPOSITE", " (1-36) CONVERTED TO SAT TOTAL (USING WPSS ",
 PRT12 "CONVERSION CHART).."
 PRTF1 CC10,"GRAND TOTAL ==> ",C1J/5

903

DTL 98 = "N" AND 1 = "S" OR "E" OR "T"
 0150PCD1MIL28.1/1.91/1.11/27.81/10.2/9.289/4.314/1.281/4.285/4.351/3.186/4.99/
 0160PCD1M 144/5.118/2.125/4.322/4.98/1.38/20.58/15.73/2.75/5.293/2.310/2.
 0170PCD1M 278/3.190/4.114/4.185/1.206/9.182/1
 SORT 3.27.A
 0190SIZE .38
 0200HEADR CCT2,"DATE ",D,1S,N,1S,Y,15S,"BLACK FOUR-YEAR SCHOLARSHIP",
 0210HEADR " WINNERS (ALPHA)",10S,"RRUF-903"
 0220HEADR CC11,"STA- SEX NAME",25S,"TELEPHONE SSAN *CEEB SAT=0",
 0230HEADR 4S,"H.S. CLASS ACADEMIC DETACHMENT MED ADDO SCHOL"
 0240HEADR "TUS",58S,"SCORE ACT=1 RANK/SIZE/%ILE CHOICES PREF",
 0250HEADR " ADMIS",16S,"MAJOR"
 0260HEADR 92S,"(FIRST)"
 0270HEADR 3S,"RACE STREET",16S,"CITY",13S,"ST ZIP",6S,"MATH VERB GPA",
 0280HEADR " (A=4.00) (SECOND) ADMIN--INT DISQUALS QEP "
 0300CNTR? C1 = X
 0310PRT01 CC11,1S,1/1.4S,2/1.3S,3/27.2S,30/10.2S,40/9.2S,49/4.4S,53/1.4S,
 0320PRT01 54/4.1S,58/4.1S,62/2,",".64/1.4S,65/4.4S,69/4.1S,73/5.3S,78/2.
 0330PRT01 2S,80/4.6S,84/4
 0340PRT02 4S,88/1.5S,89/20.2S,109/15.2S,124/2.2S,126/5.5S,131/2.4S,133/2,
 0350PRT02 4S,135/1,",".136/2.14S,138/4.4S,142/4.3S,146/1.4S,147/3.1S,
 0355PRT02 150/3.1S,153/3.2S,156/1
 0360PRT03 " "
 0380PRTF1 CC11,"* CEEB SCORE IS SAT MATH + VERBAL (0400-1600) OR ACT"
 0390PRTF1 " COMPOSITE", " (1-36) CONVERTED TO SAT TOTAL (USING WPSS ",
 0400PRTF1 "CONVERSION CHART).."
 PRTF2 CC22,"GRAND TOTAL ==> ",C1J/5

909

0150DTL 176 = "1"
 0170RCD1MSL10,1/1,185/1,206/15
 0180SORT 2,1,D
 0190SIZES ,10
 0200HEADR CCT3,D,1S,N,1S,Y,10S,"INTERVIEW"
 0210HEADR "RATINGS BY STATUS",10S,"RRUF-909"
 0220HEADR "RATING",3S,"DESIGNEES",3S,"ALTERNATES",4S,"RELEASED",
 HEADR 4S,"FINALISTS"
 0240CTL B1 = 2/1
 IF02 1 = "S" OR "E" OR "T"
 IF03 1 = "A" OR "L"
 IF04 3 = "602"
 IF05 1 = "C" OR "H"
 0300CNTRS C1 = X, C2 = XIF02, C3 = XIF03, C4 = XIF04, C5 = XIF05
 PRT11 2S,2/1,8S,C2A/4,9S,C3A/4,8S,C4A/4,8S,C5A/4

911

DTL 1 = "A" OR "L"
 RCD1MSL20,2/9,11/27,299/5,289/4,278/3,281/8,351/3,185/1,329/1,330/5,
 RCD1MS 322/4,186/4,190/4
 SORT 71,4,A,10,27,A
 SIZE ,20
 HEADR CCT2,D,1S,N,1S,Y,15S,"WINNERS BY BOARD RANK",
 HEADR 15S,"RRUF-911"
 HEADR CC11,42S,"COMP CEEB HIGH SCHOOL CLASS"
 HEADR "SSAN",8S,"NAME",26S,"SCORE COMP GPA CLASS RANK",
 HEADR 4S,"% INTER BRD BRDRK DCF",4S,"PREF1",4S,"PREF2"
 CNTRS C1 = X
 PRT01 1/9,3S,10/27,3S,37/5,3S,42/4,3S,46/1,".",47/2,2S,49/4,
 PRT01 3S,53/4,4S,57/2,".",59/1,5S,60/1,6S,61/1,
 PRT01 5S,62/5,4S,67/4,3S,71/4,5S,75/4
 PRTF1 CC31,"TOTAL ==> ".C1J/5

912

DTL ((206 = "H21" TO "H37") OR (209 = "H21" TO "H37") OR
 DTL (212 = "H21" TO "H37") OR (215 = "H21" TO "H37") OR
 DTL (218 = "H21" TO "H37"))
 RCD1MSL20,2/9,11/27,299/5,289/4,278/3,281/8,351/3,186/8,185/1,206/12
 SORT 69,3,A,10,27,A
 SIZE ,20
 HEADR CCT2,D,1S,N,1S,Y,15S,"BOARD QUALIFIED BUT",
 HEADR 15S,"RRUF-912"
 HEADR CC11,42S,"COMP CEEB HIGH SCHOOL CLASS"
 HEADR "SSAN",8S,"NAME",26S,"SCORE SCORE GPA CLASS RANK",
 HEADR 3S,"% PREF1 PREF2 INTER DIS01 DIS02 DIS03",
 HEADR 2S,"DIS04"
 CNTRS C1 = X
 PRT01 1/9,3S,10/27,3S,37/5,3S,42/4,4S,46/1,".",47/2,3S,49/4,
 PRT01 2S,53/4,3S,57/2,".",59/1,2S,60/4,2S,64/4,6S,68/1,5S,
 PRT01 69/3,4S,72/3,4S,75/3,4S,78/3
 PRTF1 CC31,"TOTAL ==> ".C1J/5

913

```

DTL          1 - "0"
0170RCD1WLSL14,1/1,114/4,181/1,345/1,176/1
0180SORT     2,4,A
0190SIZES    .14
0200HEADR   CCT2,D,1S,N,1S,Y,10S,
0220HEADR   "APPLICANTS, FINALISTS, DESIGNEES, AND ALTERNATES "
0221HEADR   "BY ADMIN UNIT",15S,"RRUF-913"
0240HEADR   "ADMIN",4S,"APPLICANTS",5S,"FINALISTS",5S,"DESIGNEES"
HEADR      5S,"ALTERNATES",10S,"69'S DONE"
0245CTL     B1 = 2/4
0230IF02    1 - " "
0240IF03    1 = "S" OR "E" OR "T"
IF04       1 - "0" OR "D" OR 6 - "0" OR "D" OR " " OR 7 - "0" OR "D" OR " "
IF05       1 = "A" OR "L"
IF06       8 = "1"
0250CNTRS   C1 = X, C2 = XIF02, C3 = XIF03, C4 = XIF04, C5 = XIF05,
CNTRS      C6 = XIF06
COMPUT     C11 = C4 * 100 / C2
COMPUT     C12 = C3 * 100 / C2
COMPUT     C13 = C5 * 100 / C2
COMPUT     C14 = C6 * 100 / C4
0260PRT11   CC11,2/4,7S,C2J/4,8S,C4J/4,1S,"(",C11J/3,"%)",
PRT11      3S,C3J/4,1S,"(",C12J/3,"%)",3S,C5J/4,1S,"(",C13J/3,"%)",
PRT11      .11S,"(",C14J/3,"%)",
0270PRTF1   CC21,"TOTALS",4S,C2J/5,7S,C4J/5,1S,"(",C11J/2,"%)",
PRTF1      4S,C3J/4,1S,"(",C12J/2,"%)",4S,C5J/4,1S,"(",C13J/2,"%)",
PRTF1      .11S,"(",C14J/3,"%)",

```

914

```

DTL          1 - "0"
0170RCD1WML14,1/1,98/1,181/1,345/1
0180SORT     2,1,A
0190SIZES    .14
0200HEADR   CCT1,D,1S,N,1S,Y,10S,
0220HEADR   "APPLICANTS, FINALISTS, DESIGNEES, AND ALTERNATES "
0221HEADR   "BY RACE",15S,"RRUF-914"
HEADR      23S,"(XX%) = % OF APPLICANTS; [XX] = % OF FINALISTS"
0240HEADR   CC22,"RACE",5S,"APPLICANTS",5S,"FINALISTS",10S,"DESIGNEES",
HEADR      13S,"ALTERNATES"
0245CTL     B1 = 2/1
0230IF02    1 - " "
0240IF03    1 = "S" OR "E" OR "T"
IF04       1 - "0" OR "D" OR (3 - "0" OR "D" OR " ") OR (4 - "0" OR "D" OR " ")
IF05       1 = "A" OR "L"
0250CNTRS   C1 = X, C2 = XIF02, C3 = XIF03, C4 = XIF04, C5 = XIF05
COMPUT     C6 = C4 * 100 / C2
COMPUT     C7 = C3 * 100 / C2
COMPUT     C8 = C5 * 100 / C2
COMPUT     C9 = C3 * 100 / C4
COMPUT     C10 = C5 * 100 / C4
0260PRT11   CC11,2S,2/1,8S,C2J/5,6S,C4J/5,1S,"(",C6J/2,"%)",
PRT11      6S,C3J/4,1S,"(",C7J/2,"%)",1S,"[",C9J/2,"%)",
PRT11      6S,C5J/4,1S,"(",C8J/2,"%)",1S,"[",C10J/2,"%)",
0270PRTF1   CC21,"TOTALS",5S,C2J/5,6S,C4J/5,1S,"(",C6J/2,"%)",
PRTF1      6S,C3J/4,1S,"(",C7J/2,"%)",1S,"[",C9J/2,"%)",
PRTF1      6S,C5J/4,1S,"(",C8J/2,"%)",1S,"[",C10J/2,"%)",

```

915

DTL 1 - "0" AND (103 - " " AND 103 - "AA99" OR "MM99" OR "NN99")
 017ORCD1MSL14,1/1,103/5,181/1,345/1
 0180SORT 2,5,A
 0190SIZES ,14
 0200HEADR CCT2,D,1S,N,1S,Y,10S,
 0220HEADR "APPLICANTS, FINALISTS, DESIGNEES, AND ALTERNATES"
 0221HEADR "BY AFJPTC UNIT",15S,"RRUF-915"
 0240HEADB "UNIT",5S,"APPLICANTS",5S,"FINALISTS",5S,"DESIGNEE"
 HEADE ,5S,"ALTERNATES"
 0245CTL B1 = 2/5
 0230IF02 1 - " "
 0240IF03 1 = "S" OR "E" OR "T"
 IF04 1 - "Q" OR "D" OR (7 - "Q" OR "D" OR " ") OR (8 - "Q" OR "D" OR " "
 IF05 1 = "A" OR "L"
 0250CNTRS C1 = X, C2 = XIF02, C3 = XIF03, C4 = XIF04, C5 = XIF05
 COMPUT C6 = C4 * 100 / C2
 COMPUT C7 = C3 * 100 / C2
 COMPUT C8 = C5 * 100 / C2
 0260PRT11 CC11,2/5,6S,C2J/4,7S,C4J/4,1S,"(",C6J/3,"%)",
 PRT11 3S,C3J/4,1S,"(",C7J/3,"%)",3S,C5J/4,1S,"(",C8J/3,"%)",
 0270PRTF1 CC21,"TOTALS",4S,C2J/5,6S,C4J/5,1S,"(",C6J/3,"%)",
 PRTF1 3S,C3J/4,1S,"(",C7J/3,"%)",3S,C5J/4,1S,"(",C8J/3,"%)",

916

DTL 1 - "0" AND 322 - " "
 017ORCD1MSL14,1/1,322/4,98/1
 0180SORT 2,4,A
 0190SIZES ,14
 0200HEADR CCT2,D,1S,N,1S,Y,10S,
 0220HEADR "DESIGNEES BY MAJOR BY RACE"
 0221HEADR ,15S,"RRUF-916"
 0240HEADB "MAJOR",4S,"DESIGNEES"
 HEADE ,6S,"CAUCASIANS",6S,"BLACKS",4S,"OTHER MINORITIES"
 0245CTL B1 = 2/4, B2 = 2/1
 0230IF02 6 = "C"
 0240IF03 6 = "N"
 IF04 6 = "X"
 IF05 1 = " "
 0250CNTRS C1 = X, C2 = XIF02, C3 = XIF03, C4 = XIF04, C5 = XIF05
 COMPUT C6 = C2 * 100 / C1
 COMPUT C7 = C3 * 100 / C1
 COMPUT C8 = C4 * 100 / C1
 COMPUT C12 = C2 * 1000 / C1
 COMPUT C13 = C3 * 1000 / C1
 COMPUT C14 = C4 * 1000 / C1
 0260PRT11 CC11,2/4,7S,C1A/4,8S,C2A/4,1S,"(",C6A/3,"%)",
 PRT11 3S,C3A/4,1S,"(",C7A/3,"%)",3S,C4A/4,1S,"(",C8A/3,"%)",
 PRT22 CC22,"TOTAL ",2/1," = ",C1A/5,8S,C2A/4,1S,"(",C6A/3,"%)",
 PRT22 3S,C3A/4,1S,"(",C7A/3,"%)",3S,C4A/4,1S,"(",C8A/3,"%)",
 0270PRTF1 CC21,"TOTALS",4S,C1J/5,7S,C2J/5,1S,"(",C12K/4,"%)",
 PRTF1 2S,C3J/4,1S,"(",C13K/4,"%)",2S,C4J/4,1S,"(",C14K/4,"%)",

917

DTL 1 - "0" AND 329 = "5"
 0170RCD1MSL14,1/1,186/4,98/1
 0180SORT 2,4,A
 0190SIZES ,14
 0200HEADR OCT2,D,1S,N,1S,Y,10S,
 0220HEADR "FINALISTS SCORED BY BOARD (BY FIRST CHOICE MAJOR AND RACE)
 0221HEADR ,15S,"RRUF-917"
 0240HEADB "MAJOR",4S,"FINALISTS"
 HEADR ,6S,"CAUCASIANS",6S,"BLACKS",4S,"OTHER MINORITIES"
 0245CTL B1 = 2/4, B2 = 2/1
 0230IF02 6 = "C"
 0240IF03 6 = "N"
 IF04 6 = "X"
 IF05 1 = ""
 0250CNTRS C1 = X, C2 = XIF02, C3 = XIF03, C4 = XIF04, C5 = XIF05
 COMPUT C6 = C2 * 100 / C1
 COMPUT C7 = C3 * 100 / C1
 COMPUT C8 = C4 * 100 / C1
 0260PRT11 CC11,2/4,7S,C1J/4,8S,C2J/4,1S,"(",C6J/3,"%"),
 PRT11 3S,C3J/4,1S,"(",C7J/3,"%"),4S,C4J/4,1S,"(",C8J/3,"%")
 PRT22 CC22,"TOTAL ",2/1," = ",C1J/5,8S,C2J/4,1S,"(",C6J/3,"%"),
 PRT22 3S,C3J/4,1S,"(",C7J/3,"%"),4S,C4J/4,1S,"(",C8J/3,"%")
 0270PRTF1 CC21,"TOTALS",4S,C1J/5,7S,C2J/5,1S,"(",C6J/3,"%"),
 PRTF1 3S,C3J/4,1S,"(",C7J/3,"%"),4S,C4J/4,1S,"(",C8J/3,"%")

919

DTL 1 - "0" AND
 DTL (1 - "0" OR "D" OR 181 - "D" OR "0" OR " " OR 345 - "D"
 DTL OF "0" OR " ")
 0170RCD1MSL14,1/1,186/4,98/1
 0180SORT 2,4,A
 0190SIZES ,14
 0200HEADR OCT2,D,1S,N,1S,Y,10S,
 0220HEADR "ALL FINALISTS (BY FIRST CHOICE MAJOR AND RACE)"
 0221HEADR ,15S,"RRUF-919"
 0240HEADB "MAJOR",4S,"FINALISTS"
 HEADR ,6S,"CAUCASIANS",6S,"BLACKS",4S,"OTHER MINORITIES"
 0245CTL B1 = 2/4, B2 = 2/1
 0230IF02 6 = "C"
 0240IF03 6 = "N"
 IF04 6 = "X"
 IF05 1 = ""
 0250CNTRS C1 = X, C2 = XIF02, C3 = XIF03, C4 = XIF04, C5 = XIF05
 COMPUT C6 = C2 * 100 / C1
 COMPUT C7 = C3 * 100 / C1
 COMPUT C8 = C4 * 100 / C1
 COMPUT C12 = C2 * 1000 / C1
 COMPUT C13 = C3 * 1000 / C1
 COMPUT C14 = C4 * 1000 / C1
 0260PRT11 CC11,2/4,7S,C1J/4,8S,C2A/4,1S,"(",C6A/3,"%"),
 PRT11 3S,C3A/4,1S,"(",C7A/3,"%"),4S,C4A/4,1S,"(",C8A/3,"%")
 PRT22 CC22,"TOTAL ",2/1," = ",C1A/5,8S,C2A/4,1S,"(",C6A/3,"%"),
 PRT22 3S,C3A/4,1S,"(",C7A/3,"%"),4S,C4A/4,1S,"(",C8A/3,"%")
 0270PRTF1 CC21,"TOTALS",4S,C1J/5,7S,C2A/5,1S,"(",C12A/4,"%"),
 PRTF1 2S,C3A/4,1S,"(",C13A/4,"%"),3S,C4A/4,1S,"(",C14A/4,"%")

924

DTL 1 - "0" AND 322 - " "
 0170RCD1WLSL14,1/1,322/4,91/1
 0180SORT 2,4,A
 0190SIZES .14
 0200HEADA CCT3,D,1S,N,1S,Y,10S,
 0220HEADA "DESIGNEES BY MAJOR BY SEX"
 0221HEADA .15S,"RRUF-924"
 0240HEADB "MAJOR",4S,"DESIGNEES"
 HEADB .8S,"MALES",9S,"FEMALES",6S,"UNKNOWN"
 CTL B1 = 2/4, B2 = 2/1
 0230IF02 6 = "M"
 0240IF03 6 = "F"
 IF04 6 = " "
 0250CNTRS C1 = X, C2 = XIF02, C3 = XIF03, C4 = XIF04
 COMPUT C6 = C2 * 100 / C1
 COMPUT C7 = C3 * 100 / C1
 COMPUT C11 = C2 * 1000 / C1
 COMPUT C12 = C3 * 1000 / C1
 0260PRT11 CC11,2/4,7S,C1A/4,8S,C2A/4,1S,"(",C6A/3,"%")",
 PRT11 3S,C3A/4,1S,"(",C7A/3,"%")",3S,C4A/4
 PRT22 CC22,"TOTAL ",2/1," = ",C1A/5,8S,C2A/4,1S,"(",C6A/3,"%")",
 PRT22 3S,C3A/4,1S,"(",C7A/3,"%")",3S,C4A/4
 0270PRTF1 CC21,"TOTALS",4S,C1J/5,7S,C2J/5,1S,"(",C11K/4,"%")",
 PRTF1 2S,C3J/4,1S,"(",C12K/4,"%")",3S,C4J/4

925

DTL 1 = "S" AND 181 = "T" AND 345 = "C"
 00D1MSL15,2/9,11/27,91/1,98/1,278/3,281/4,285/4,351/3,289/4,293/2,
 RCD1MS 310/2,314/1,185/1
 SORT 10,27,A
 SIZE .15
 HEADA CCT2,D,1S,N,1S,Y,15S,"ALT BY ALPHA",15S,"RRUF-925"
 HEADB CC11,59S,"HIGH SCHOOL CLASS",12S,"CEEB SCORE AND IND"
 HEADC CC01,"SSAN",10S,"NAME",28S,"SEX",3S,"RACE",3S,"GPA",3S,
 HEADC "CLASS",3S,"SIZE",2S,"%",7S,"COMP",2S,"MATH",2S,"VERB",
 HEADC 2S,"IND",6S,"INTERVIEW"
 CNTR C1 = X
 CNTR C2 = 53\$4
 COMPU C3 = C2/C1
 PRT01 1/9,5S,10/27,6S,37/1,5S,38/1,5S,39/3,3S,42/4,4S,46/4,
 PRT01 2S,50/2,".",52/1,5S,53/4,3S,57/2,4S,59/2,4S,61/1,11S,62/1
 PRTF1 CC32,"GRAND ALTERNATE TOTAL ", "=" ,C1J/4
 PRTF2 CC33,"CEEB AVG = ",C3J/4

926

DTL 256 = "AFQ" OR "FFQ"
 RCD1MSL10,236/20,256/15,271/2,1/1,206/15
 SORT 1,20,A
 SIZE .10
 HEADA CCT2,D,1S,N,1S,Y,15S,"FOR AREA COMMANDANT",15S,"RRUF-926"
 HEADB CC11,"HIGH",1S,"SCHOOL",12S,"CITY",14S,"ST",3S,"STAT",3S,"D01"
 HEADB 3S,"D02",3S,"D03",3S,"D04",3S,"D05"
 CNTR C1 = X
 PRT01 1,20,3S,21,15,3S,36/2,3S,38/1,6S,39/3,3S,42/3,3S,45/3,3S,
 PRT01 48/3,3S,51/3
 PRTF1 CC31,"GRAND TOTAL = ",C1J/5

936

DTL 99 = "715" TO "752"
0150RCD1MSL28,1/1,91/1,11/27,81/10,2/9,289/4,314/1,281/4,285/4,351/3,186/4,99/
0160RCD1MS 144/5,118/2,125/4,322/4,98/1,38/20,58/15,73/2,75/5,293/2,310/2,
0170RCD1MS 278/3,190/4,114/4,185/1,206/15
0180SDRT 3,27,A
0190SIZE ,28
0200HEADA CCT2,"DATE ",D,1S,N,1S,Y,10S,"APPLICANTS WITH A",
0210HEADA " PREFERENCE FOR ANY DET IN PENNSYLVANIA",10S,"RRUF-936"
0220HEADB CC11,"STA- SEX NAME",25S,"TELEPHONE SSAN *CEEB SAT=0",
0230HEADB 4S,"H.S. CLASS ACADEMIC DETACHMENT MED ADCO SCHOL"
0240HEADC "TUS",58S,"SCORE ACT=1 RANK/SIZE/%ILE CHOICES PREF",
0250HEADC " ADMIS",16S,"MAJOR"
0260HEADD 92S,"(FIRST)"
0270HEADE 3S,"RACE STREET",16S,"CITY",13S,"ST ZIP",6S,"MATH VERB GPH
0280HEADE " (A=4.00) (SECOND) ADMIN--INT DISQUALIFICATIONS"
0300CNTRS C1 = X
0310PRT01 CC11,1S,1/1,4S,2/1,3S,3/27,2S,30/10,2S,40/9,2S,49/4,4S,53/1,4S,
0320PRT01 54/4,1S,58/4,1S,62/2,",".64/1,4S,65/4,4S,69/4,1S,73/5,3S,78/2,
0330PRT01 2S,80/4,6S,84/4
0340PRT02 4S,88/1,5S,89/20,2S,109/15,2S,124/2,2S,126/5,5S,131/2,4S,133/2,
0350PRT02 4S,135/1,",".136/2,14S,138/4,4S,142/4,3S,146/1,4S,147/3,1S,
0355PRT02 150/3,1S,153/3,1S,156/3,1S,159/3
0360PRT03 " "
0370PRT11 CC11,"TOTAL = ",C1J/5
0380PRT12 CC11,"* CEEB SCORE IS SAT MATH + VERBAL (0400-1600) OR ACT"
0390PRT12 " COMPOSITE". " (1-36) CONVERTED TO SAT TOTAL (USING MPSS ",
0400PRT12 "CONVERSION CHART)."

940

DTL 75 = "00100" OR "00200" OR "00300" OR "00400" OR "00500"
RCD1MCL15,2/78,81/10
SDRT 10,27,A
SIZE ,15
HEADA CCT2,D,1S,N,1S,Y,25S,"ZIP CODES WITH 00100-00500"
HEADB 25S,"RRUF-940"
HEADB CC11,"SSAN NAME",25S,"STREET",17S,"CITY",14S,"ST ZIP",7S,
HEADE "TELEPHONE"
CNTRS C1 = X
PRT01 CC11,1/9,3S,10/27,2S,37/20,3S,57/15,3S,72/2,3S,74/5,5S,79/3,1S,82/
PRT01 "-",85/4
PRTF1 CC22,"TOTAL ==> ",C1J/4

```

0260PRT11  CC11:2/4:7s,C20/4:8s,C4A/4:1s,"(",c11A/2,"%)",
PRT11  4s,c3A/4:1s,"(",c12A/2,"%)",4s,c5A/4:1s,"(",c13A/2,"%)",
PRT11  6s,c6A/4:1s,"(",c14A/2,"%)"
PRT22  cc22:"TOTAL ",2/2,"=",C2A/5:8s,c4A/4:1s,"(",c11A/2,"%)",
PRT22  4s,c3A/4:1s,"(",c12A/2,"%)",4s,c5A/4:1s,"(",c13A/2,"%)",
PRT22  6s,c6A/4:1s,"(",c14A/2,"%)"
0270PRTF1  cc21:"TOTALs",4S,C2A/5:7s,C4A/5:1s,"(",c11A/2,"%)",
PRTF1  4s,c3A/4:1s,"(",c12A/2,"%)",4s,c5A/4:1s,"(",c13A/2,"%)",
PRTF1  6s,c6A/4:1s,"(",c14A/2,"%)"

```

954

DTL 1 - "0"
0170RCD1MSL14,1/1,98/1,181/1,345/1,176/1,206/15
0180SORT 2,1,A
0190SIZES ,14
0200HEADR CCT1,D,1S,N,1S,Y,20S,
0220HEADR "APPLICANTS, FINALISTS, AND INTERVIEWS COMPLETE "
0221HEADR "BY RACE",20S,"RRUF-954"
HEADR CC11,34S,"(XX%) = % OF APPLICANTS"
HEADR 34S,"[XX%] = % OF THOSE WHO MET FINALIST CRITERIA"
HEADR 34S,"/XX%/ = % OF CURRENT FINALISTS INTERVIEWED"
HEADR CC21,12S,"TOTAL",5S,"MET FINALIST",9S,"CURRENT",
HEADR 8S,"CURRENT OR PREVIOUS",6S,"INTERVIEWS DONE",
HEADR " OR APPLICANT WITHDREW"
0240HEADR "RACE",5S,"APPLICANTS",5S,"CRITERIA",10S,"FINALISTS",
HEADR 5S,"DESIGNEES OR ALTERNATES",9S,"FINALISTS",
HEADR 8S,"PREVIOUS FINALISTS"
0245CTL B1 = 2/1
0230IF02 1 - ""
IF03 1 - "O" OR "D" OR (3 - "O" OR "D" OR " ") OR (4 - "O" OR "D" OR " "
IF04 1 = "C" OR "H"
IF05 1 - "C" OR "H" AND ((1 = "A" OR "L" OR "S" OR "E" OR "T" OR "F")
IF05 OR (3 = "A" OR "L" OR "S" OR "E" OR "T" OR "F") OR (4 = "A" OR "L"
IF05 OR "S" OR "E" OR "T" OR "F"))
IF06 1 = "C" OR "H" AND 5 = "1"
IF07 1 - "C" OR "H" AND
IF07 (5 = "1" OR ((6 = "L01" OR "H11" TO "H19") OR (9 = "L01" OR "H11"
IF07 TO "H19") OR (12 = "L01" OR "H11" TO "H19")
IF07 OR (15 = "L01" OR "H11" TO "H19") OR (18 = "L01" OR
IF07 "H11" TO "H19")))
0250CENTRS C1 = X, C2 = XIF02, C3 = XIF03, C4 = XIF04, C5 = XIF05,
CENTRS C6 = XIF06, C7 = XIF07
COMPUT C11 = C3 * 100 / C2
COMPUT C12 = C4 * 100 / C3
COMPUT C13 = C5 * 100 / C3
COMPUT C14 = C6 * 100 / C3
COMPUT C15 = C7 * 100 / C3
COMPUT C16 = C6 * 100 / C4
COMPUT C17 = C7 * 100 / C4
0260PRT11 CC21,2S,2/1,8S,C2J/5,6S,C3J/5,1S,"(",C11J/2,"%)",
PRT11 8S,C4J/4,1S,"[",C12J/2,"%]",
PRT11 11S,C5J/4,1S,"[",C13J/3,"%]",10S,C6J/4,1S,"[",C14J/3,"%]",
PRT11 1S,"/",C16J/3,"%/",3S,C7J/5,1S,"[",C15J/3,"%]",
PRT11 1S,"/",C17J/3,"%/"
0270PRTF1 CC21,"TOTALS",5S,C2J/5,6S,C3J/5,1S,"(",C11J/2,"%)",
PRTF1 8S,C4J/4,1S,"[",C12J/2,"%]",
PRTF1 11S,C5J/4,1S,"[",C13J/3,"%]",10S,C6J/4,1S,"[",C14J/3,"%]",
PRTF1 1S,"/",C16J/3,"%/",3S,C7J/5,1S,"[",C15J/3,"%]",
PRTF1 1S,"/",C17J/3,"%/"

987

DTL 285 = "1000" TO "9999"
 0150RCD1MSL50.1/1.91/1.11/27.81/10.2/9.289/4.314/1.281/4.285/4.351/3.186/4.2
 0160RCD1MS 144/5.118/2.125/4.322/4.98/1.38/20.58/15.73/2.75/5.293/2.310/2.
 0170RCD1MS 278/3.190/4.114/4.185/1.206/15.236/42.326/10.182/1.129/6.181/1.
 RCD1MS 103/5.108/2
 0180SORT 3.27.A
 0190SIZE .50
 0200HEADA CCT2.D.1S.N.1S.Y.25S."SCHOLARSHIP "
 0210HEADA "APPLICANTS WITH A CLASS SIZE > 999".25S."RRUF-987"
 0220HEADB CC11."STA- SEX NAME".25S."TELEPHONE SSAN *CEEB SAT=0".
 0230HEADB 4S."H.S. CLASS ACADEMIC DETACHMENT MED ADDC SCHOL"
 0240HEADC "TUS".58S."SCORE ACT=1 RANK/SIZE/%ILE CHOICE" PREF".
 0250HEADC " ADMIS".16S."MAJOR"
 0260HEADD 92S."(FIRST)"
 0270HEADE 3S."RACE STREET".16S."CITY".13S."ST ZIP".6S."MATH VERB
 0280HEADE " (A=4.00) (SECOND) ADMIN--INT DISQUALIFICATION"
 HEADF 3s."DEP".4s."HIGH SCHOOL".11s."H. S. CITY".7s."ST".2s."ZIP".
 HEADF 5s."PANEL SCORE BOARD RANK".5s."PREVIOUS".2s."JPTC".2s."CAF".2s.
 HEADF "STATUS-DATE"
 0300CNTRS C1 = X
 0310PRT01 CC21.1S.1/1.4S.2/1.3S.3/27.2S.30/10.2S.40/9.2S.49/4.4S.53/1.4S.
 0320PRT01 54/4.1S.58/4.1S.62/2.".".64/1.4S.65/4.4S.69/4.1S.73/5.3S.78/2.
 0330PRT01 2S.80/4.6S.84/4
 0340PRT02 4S.88/1.5S.89/20.2S.109/15.2S.124/2.2S.126/5.5S.131/2.4S.133/2.
 0350PRT02 4S.135/1.".".136/2.14S.138/4.4S.142/4.3S.146/1.4S.147/3.1S.
 0355PRT02 150/3.1S.153/3.1S.156/3.1S.159/3
 0360PRT03 4s.214/1.5s.162/20.2s.182/15.2s.197/2.2s.199/5.5s.213/1.
 PRT03 5s.204/3.5s.207/1.4s.208/4.8s.221/1.6s.221/5.2s.226/2.4s.215/2.1s.
 PRT03 217/2.1s.219/2
 0380PRT#1 CC31."* CEEB SCORE IS SAT MATH + VERBAL (0400-1600) OR ACT"
 0390PRT#1 " COMPOSITE"." (1-36) CONVERTED TO SAT TOTAL (USING WPSS "
 0400PRT#1 "CONVERSION CHART)."
 PRT#2 CC11."TOTAL = ".C1J/4

989

DTL 1 = "L" OR "A" AND 176 = "1"
 0150RCD1MSL50.1/1.91/1.11/27.81/10.2/9.289/4.314/1.281/4.285/4.351/3.186/4.94
 0160RCD1MS 144/5.118/2.125/4.322/4.98/1.38/20.58/15.73/2.75/5.293/2.310/2.
 0170RCD1MS 278/3.190/4.114/4.185/1.206/15.236/42.326/10.182/1.129/6.181/1
 0180SORT 142.4.A.3.27.A
 0190SIZE .50
 0200HEADA CCT2.D.1S.N.1S.Y.25S."L OR A WITH NO 69 (BY DET)".
 0210HEADA 25S."RRUF-989"
 0220HEADB CC11."STA- SEX NAME".25S."TELEPHONE SSAN *CEEB SAT=0".
 0230HEADB 4S."H.S. CLASS ACADEMIC DETACHMENT MED ADDC SCHOL"
 0240HEADC "TUS".58S."SCORE ACT=1 RANK/SIZE/%ILE CHOICES PREF".
 0250HEADC " ADMIS".16S."MAJOR"
 0260HEADD 92S."(FIRST)"
 0270HEADE 3S."RACE STREET".16S."CITY".13S."ST ZIP".6S."MATH VERB GPA
 0280HEADE " (A=4.00) (SECOND) ADMIN--INT DISQUALIFICATIONS"
 HEADF 3s."DEP".4s."HIGH SCHOOL".11s."H. S. CITY".7s."ST".2s."ZIP".
 HEADF 5s."PANEL SCORE BOARD RANK".5s."PREVIOUS".14s."STATUS-DATE"
 0300CNTRS C1 = X
 0310PRT01 CC21.1S.1/1.4S.2/1.3S.3/27.2S.30/10.2S.40/9.2S.49/4.4S.53/1.4S.
 0320PRT01 54/4.1S.58/4.1S.62/2.".".64/1.4S.65/4.4S.69/4.1S.73/5.3S.78/2.
 0330PRT01 2S.80/4.6S.84/4
 0340PRT02 4S.88/1.5S.89/20.2S.109/15.2S.124/2.2S.126/5.5S.131/2.4S.133/2.
 0350PRT02 4S.135/1.".".136/2.14S.138/4.4S.142/4.3S.146/1.4S.147/3.1S.
 0355PRT02 150/3.1S.153/3.1S.156/3.1S.159/3
 0360PRT03 4s.214/1.5s.162/20.2s.182/15.2s.197/2.2s.199/5.5s.213/1.
 PRT03 5s.204/3.5s.207/1.4s.208/4.8s.221/1.19s.215/2.1s.217/2.1s.219/2
 0380PRT#1 CC31."* CEEB SCORE IS SAT MATH + VERBAL (0400-1600) OR ACT"
 0390PRT#1 " COMPOSITE"." (1-36) CONVERTED TO SAT TOTAL (USING WPSS "
 0400PRT#1 "CONVERSION CHART)."
 PRT#2 CC11."TOTAL = ".C1J/4 8-48

997

DTL 1 = "F"
0150PCDIMS L50.1/1.91/1.11/27.81/10.2/9.289/4.314/1.281/4.285/4.351/3.186/4.59
0160PCDIMS 144/5.118/2.125/4.322/4.98/1.38/20.58/15.73/2.75/5.293/2.310/2.
0170PCDIMS 278/3.190/4.114/4.185/1.206/15.236/42.326/10.182/1.129/6.181/1.
PCOLUF 103 5.108/2
0180IDPT 3.27.A
0190SIZE .50
0200HEADR OCT2.D.1S.N.1S.Y.25S."SPECIAL STATUS FOUR-YEAR SCHOLARSHIP "
0210HEADR "APPLICANTS".25S."RRUF-997"
0220HEADR CC11."STA- SEX NAME".25S."TELEPHONE SSAN *CEEB SAT=0".
0230HEADR 4S."H.S. CLASS ACADEMIC DETACHMENT MED ADCO SCHOL"
0240HEADR "TUS".58S."SCORE ACT=1 RANK/SIZE/%ILE CHOICES PREF".
0250HEADR " ADMIS".16S."MAJOR"
0260HEADR 92S."(FIRST)"
0270HEADR 3S."RACE STREET".16S."CITY".13S."ST ZIP".6S."MATH VERB 6P
0280HEADR " (A=4.00) (SECOND) ADMIN--INT DISQUALIFICATIONS"
HEADR 3S."REP".4S."HIGH SCHOOL".11S."H. S. CITY".7S."ST".2S."ZIP".
HEADR 5S."PANEL SCORE BOARD RANK".5S."PREVIOUS".2S."JROTC".2S."CAP".
HEADR 2S."STATUS-DATE"
0300CNTF 01 = X
0310PRT01 0021.1S.1/1.4S.2/1.3S.3/27.2S.30/10.2S.40/9.2S.49/4.4S.53/1.4.
0320PRT01 54/4.1S.58/4.1S.62/2."."64/1.4S.65/4.4S.69/4.1S.73/5.3S.78/2.
0330PRT01 21.80/4.4S.84 4
0340PRT02 41.88/1.5S.89/0.2S.109/15.2S.124/2.2S.126/5.5S.131/2.4.133/2.
0350PRT02 41.135.1."."136/2.14S.138/4.4S.142/4.3S.146/1.4S.147/3.1.
0355PRT02 150/3.1S.153/3.1S.156/3.1S.159/3
0360PRT03 4S.214/1.5S.162/20.2S.182/15.2S.197/2.2S.199/5.5S.213/1.
PRT03 5S.204/3.5S.207/1.4S.208/4.8S.221 1.6S.222/5.2S.227/2.4S.215/2.1S.
PRT03 217/2.1S.219/2
0380PRTF1 CC31."* CEEB SCORE IS SAT MATH + VERBAL (0400-1600) OR ACT"
0390PRTF1 " COMPOSITE". (1-36) CONVERTED TO SAT TOTAL (USING MPSS "
0400PRTF1 "CONVERSION CHART)."
PRTF2 CC11."TOTAL = ".01J/4

**4-YEAR AIR FORCE ROTC SCHOLARSHIP PROGRAM – STATEMENT OF INTENT
NONRATED**

PRIVACY ACT STATEMENT

AUTHORITY: 10 USC 2102.

PRINCIPAL PURPOSES: To identify a 4-Year AFROTC Scholarship Selection's intention to either accept or decline a scholarship offer. Use of SSAN is for identification of selector.

ROUTINE USES: Information may be disclosed for any of the blanket routine uses published by the Air Force.

DISCLOSURE OF INTENT: Voluntary; however, nondisclosure may preclude activating a scholarship.

STATEMENT OF INTENT

DATE: _____

- I will accept the 4-Year AFROTC Scholarship. (Letter of Admission MUST be attached.)
- I DO NOT choose to remain in consideration for a 4-Year AFROTC Scholarship and decline the scholarship offer.

REASON(S) FOR DECLINATION: _____

SIGNATURE: _____

7L	SOCIAL SECURITY NUMBER			LAST NAME				F1	MI	7L	AFROTC USE ONLY			
1-2	□ □ □ □	□ □ □ □	□ □ □ □ □ □	□ □ □ □ □ □	□ □ □ □ □ □	□ □ □ □ □ □	□ □ □ □ □ □	□ □ □ □ □ □	□ □ □ □ □ □	□ □ □ □ □ □	A	H	□ □ □ □	17-20
7G	3-11			12-16						7G	□ □ □ □ □ □	□ □ □ □ □ □	□ □ □ □ □ □	23-27

AFROTC FORM OCT 84 92

PREVIOUS EDITION WILL BE USED.

**4-YEAR AIR FORCE ROTC SCHOLARSHIP PROGRAM – STATEMENT OF INTENT
ALTERNATE**

PRIVACY ACT STATEMENT: AUTHORITY: 10 USC 2102 and EO 9397 **PRINCIPAL PURPOSES:** To identify a 4-Year AFROTC Scholarship alternate's intention to either accept or decline alternate status. Use of SSAN is for identification of alternate. **ROUTINE USES:** Determine alternate's intent to either accept or decline alternate status and, if declining, the reason(s). **DISCLOSURE OF INTENT:** Voluntary; however, nondisclosure may preclude activating a scholarship.

Statement of Intent

- I will accept the 4-Year AFROTC alternate status. (Letter of Admission MUST be attached.)
- I DO NOT choose to remain in consideration for a 4-Year AFROTC Scholarship and decline the alternate status. REASON(S) FOR DECLINATION: _____

7L	SOCIAL	SECURITY NUMBER			LAST NAME				F1	MI	7L	AFROTC USE ONLY			
1-2	□ □ □ □	□ □ □ □	□ □ □ □ □ □	□ □ □ □ □ □	□ □ □ □ □ □	□ □ □ □ □ □	□ □ □ □ □ □	□ □ □ □ □ □	□ □ □ □ □ □	□ □ □ □ □ □	A	H	□ □ □ □	17-20	
7G	3-11			12-16						7G	□ □ □ □ □ □	□ □ □ □ □ □	□ □ □ □ □ □	23-27	

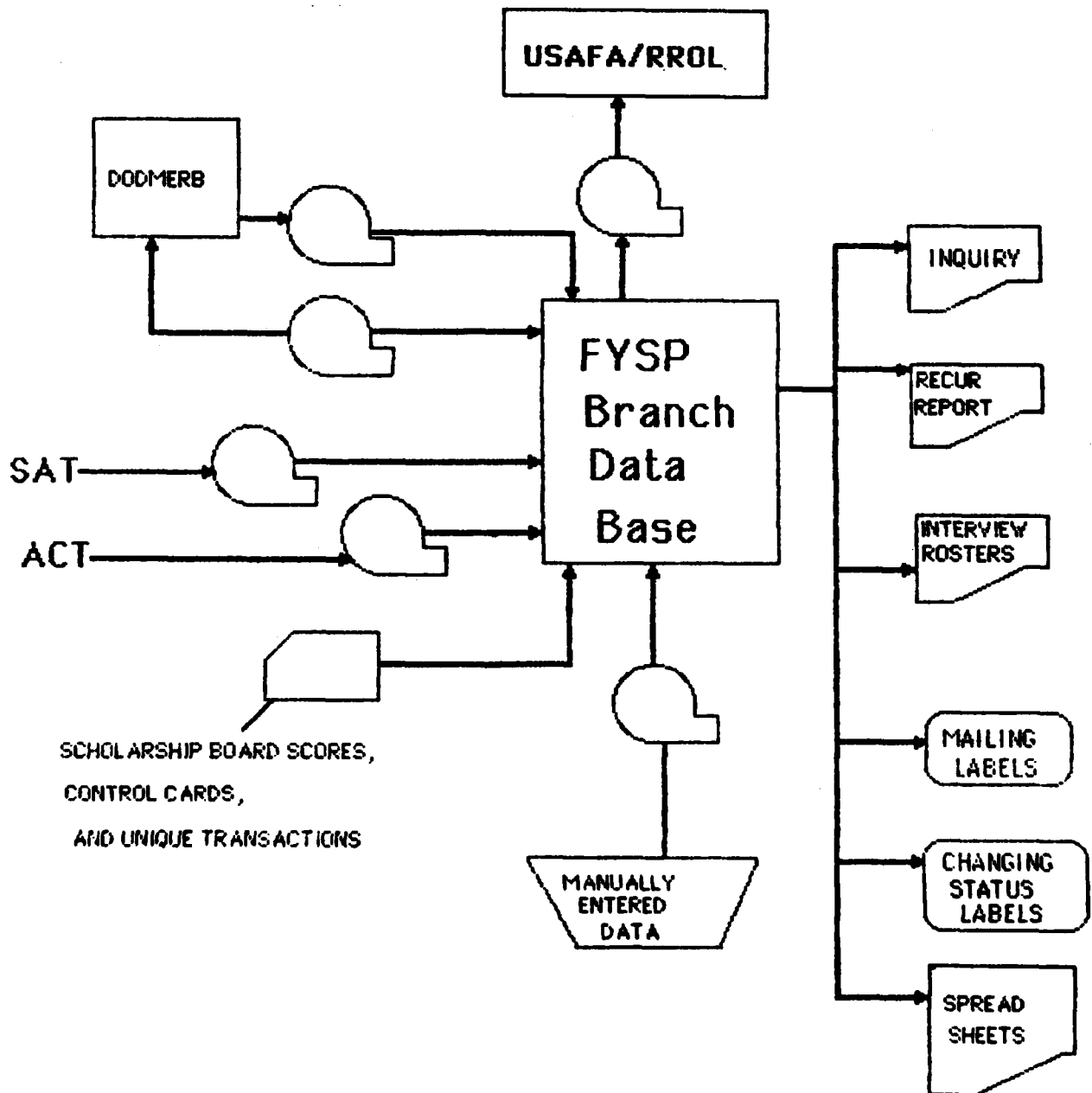
DATE

SIGNATURE

AFROTC FORM JAN 83 92A

PREVIOUS EDITIONS ARE OBSOLETE

CURRENT SYSTEM



Appendix A: Magnetic Tape Layout for 1985-86 ATP Score Reports

DATA	COLLEGE CODE	STUDENT'S NAME					SEX	DATE OF BIRTH	SOCIAL SECURITY NUMBER	STUDENT'S ADDRESS									
		LAST	FIRST	MI	NUMBER AND STREET	CITY				STATE	ZIP CODE								
POSITIONS		21	22	33	34	35	36	41	42	50	51	75	76	90	91	92	93	94	95

DATA	DATE COUNTY CODE	TELEPHONE NUMBER	HIGH SCHOOL GRADUATION DATE	ENROLLMENT IN PLANNING SERVICE	FOREIGN AGENCIES INDICATED
POSITIONS	104 105 107	111 112 113 117	126 127	133 134	135 136

DATA	SAT & TSWE SCORES					WRITING SAT & TSWE SCORES					MATH SAT & TSWE SCORES					SCIENCE SAT & TSWE SCORES									
	DATE	VERBAL	READING	VOCAB	MATH	TSWE	DATE	VERBAL	READING	VOCAB	MATH	TSWE	DATE	VERBAL	READING	VOCAB	MATH	TSWE	DATE	VERBAL	READING	VOCAB	MATH	TSWE	
POSITIONS	146	147	148	149	150	151	152	153	154	155	156	157	158	159	160	161	162	163	164	165	166	167	168	169	170

DATA	SAT & TSWE SCORES					WRITING SAT & TSWE SCORES					ACHIEVEMENT TESTS					SCIENCE FACT SCORES											
	DATE	VERBAL	READING	VOCAB	MATH	TSWE	DATE	VERBAL	READING	VOCAB	MATH	TSWE	DATE	ED	EV	NO	SC1	SC2	SC3	SC4	SC5	DATE	FACT1	FACT2	FACT3	FACT4	FACT5
POSITIONS	222	223	224	225	226	227	228	229	230	231	232	233	234	235	236	237	238	239	240	241	242	243	244	245	246	247	248

DATA	SAT & TSWE SCORES					WRITING SAT & TSWE SCORES					ACHIEVEMENT TESTS					SCIENCE FACT SCORES					ACT AVE							
	DATE	VERBAL	READING	VOCAB	MATH	TSWE	DATE	VERBAL	READING	VOCAB	MATH	TSWE	DATE	ED	EV	NO	SC1	SC2	SC3	SC4	SC5	DATE	FACT1	FACT2	FACT3	FACT4	FACT5	
POSITIONS	249	250	251	252	253	254	255	256	257	258	259	260	261	262	263	264	265	266	267	268	269	270	271	272	273	274	275	276

DATA	PER CENTILE MARKS FOR LATEST SAT TSWE & ACT SCORES ONLY																											
	VERBAL			MATH			TSWE			NATIONAL COLLEGE BOUND			STATE COLLEGE BOUND			NATIONAL COLLEGE BOUND												
POSITIONS	NATIONAL HIGH SCHOOL	NATIONAL COLLEGE BOUND	STATE COLLEGE BOUND	NATIONAL HIGH SCHOOL	NATIONAL COLLEGE BOUND	STATE COLLEGE BOUND	NATIONAL COLLEGE BOUND	STATE COLLEGE BOUND	NATIONAL COLLEGE BOUND	STATE COLLEGE BOUND	NATIONAL COLLEGE BOUND	STATE COLLEGE BOUND	ACT 1	ACT 2	ACT 3													
277 thru 428	369	370	371	372	373	374	375	376	377	378	379	380	381	382	383	384	385	386	387	388	389	390	391	392	393	394	395	396

DATA	SAT DATE		SCHOOL INFORMATION					HIGH SCHOOL CODE	HIGH SCHOOL INFORMATION					REPORT DATE	
	MONTH	YEAR	NAME	TYPE	LEVEL	GRADE	NAME		TYPE	LEVEL	GRADE	MONTH	DAY	YEAR	
429 thru 741	1	2	3	4	5	6	7	8	9	10	11	12	13	14	15

Copyright © 1985 by College Entrance Examination Board and Educational Testing Service. All rights reserved.
College Board, SAT and the acorn logo are registered trademarks of the College Entrance Examination Board.

ACT MAGNETIC TAPE STUDENT RECORD

DATA	REPORTING YEAR	STUDENT NAME	STREET ADDRESS	CITY	STATE	ZIP
LOCATION 1-100		BLANK	BLANK			

DATA	DATE OF BIRTH			HOME TELEPHONE		RESIDENT COUNTY NAME			NAME OF PARENT OR LEGAL GUARDIAN		STUDENT NAME	
	MO	DA	YR	AREA CODE	PHONE NUMBER				LAST NAME		LAST NAME	F.R.
LOCATION 101-200												

DATA	HIGH SCHOOL INFORMATION										ACT TEST INFORMATION									
	BLANK	H S CODE NUMBER	H S GRADES		H S AVER	H S GRADES	BLANK	TEST DATE	BLANK	BLANK	ACT STANDARD SCORES					SUM OF STD SCORES				
			ALPHA	NUMERIC				MO	YR											
LOCATION 201-300																				

DATA	INT INV (Cont.)			MAP REGIONS		COLLEGE CODE NUMBER		INTEREST PERCENT		
	1	2	3	1	2	1	2	3	4	5
LOCATION 301-400										

DATA	STUDENT PROFILE SECTION																																		
	ADMISSION/ENROLLMENT INFORMATION					EDUCATIONAL PLANS, INTERESTS AND NEEDS					SPECIAL EDUCATIONAL NEEDS, INTERESTS AND GOALS					COLLEGE/EXTRACURRICULAR PLANS					FINANCIAL AID					BACKGROUND INFORMATION									
LOCATION 401-500																																			

DATA	STUDENT PROFILE SECTION (Continued)																																	
	H.S. EXTRACURRICULAR ACTIVITIES										OUT OF CLASS ACCOMPLISHMENTS										OUT OF CLASS ACCOMPLISHMENTS													
											LEADERSHIP		MUSIC		SPEECH		ART		WRITING		SCIENCE		ATHLETICS											
LOCATION 501-600																																		

DATA	H.S. COURSES TAKEN OR PLANNED										H.S. GRAD																			
	ACCOMPLISHMENT SCORES					COURSES TAKEN					COURSES TAKEN					COURSES TAKEN														
LOCATION 601-700																														

DATA	COLLEGE PREDICTIVE INFORMATION																																		
	FORMER/ENTER H.S. INFORMATION										PREDICTED COLLEGE										PREDICTED COLLEGE														
	GPA					SAT					ACT					SAT					ACT					SAT					ACT				
LOCATION 701-800																																			

NOTE: 1984-85 cleanup tape containing summer residuals and supplements, which will be mailed in late October, will be in 1984-85 format

MAGNETIC TAPE STUDENT RECORD RECORD DESCRIPTION 1985-86

LOCATION	FIELD NAME	FIELD CONTENT
1-2	Reporting Year	84 = 1984-85; 85 = 1985-86, etc.
3-29	Student Name (see also 155-180)	Last Name/First Name/Middle Initial, as gridded by the student
33-51	Street Address	House Number/Street; P O Box No., etc.
59-72	City	
75-78	State of Residence	2-digit numeric, 2-character alpha abbreviation; see state code list on back page
81-85	Zip Code	
87-88	Sex	Numeric: Male = 4, Female = 6 Alpha: Male = M, Female = F
89-90	Grade Classification	1 = N = H.S. Junior 3 = O = H.S. Senior 5 = T = H.S. Graduate 7 = W = College Student 9 = Z = Other Blank = No Response
91-99	Social Security No. or ACT I.D.	ACT I.D. has a dash (—) in position 91
101-106	Date of Birth	Reported as Mo/Da/Yr (102067 for Oct. 20, 1967; etc.)
107-116	Home Telephone	3-digit area code, 7-digit phone no. as gridded by student
117-133	Resident County Name	
137	Parents' Address Same	Yes = 1, No = 2; No Response = Blank
139-154	Name of Parent or Legal Guardian	Last name (Pos. 139-152), First initial (Pos. 153), Middle initial (Pos. 154)
155-180	Student Name	Last name (Pos. 155-170), First name (Pos. 171-179), Middle initial (Pos. 180)
205-224	High School Information	
205-210	H.S. Code Number	H.S. code list(s) available from ACT (999999 indicates that code given by student is invalid, 999998 indicates student did not give any H.S. codes) E = English, M = Math, S = Social Studies, N = Natural Sciences Responses are: Alpha Numeric A = 4 B = 3 C = 2 D = 1 F = 0 N = 5 (Subject not taken) Blank = 9 (Student did not grid a response)
211-218	H.S. Grades	
211-214	Alpha	
215-218	Numeric	
219	No. of H.S. Grades	Number of H.S. grades present—i.e., no. of grades not blank and not "N" (not taken)
220-222	H.S. Average	Numeric to 2 decimal places, if no. of grades is less than 3, field is set to (—)
223-224	Year of H.S. Graduation As Reported on Registration Folder	Last 2 digits of graduation year (86 = 1986; 87 = 1987; etc.)
233-274	ACT Test Information	
233-236	Test Date (Month and Year)	Reported as Mo/Yr (1085 for Oct. 1985; etc.)
249	Test Type	Type of ACT Assessment test taken Blank = National Testing (Domestic and Outside the U.S.) X = Special Testing (Untimed) Z = Special Testing (Timed) P = Project Testing D = DANTES (Military) Testing R = Residual Testing scored by ACT I = Residual Testing scored by college
261-270	ACT Standard Scores Range	A score of (—) means that subtest was omitted by student If any score is (—), the Composite score is set to (—)
	E = English 01-33	
	M = Math 01-36	
	SS = Social Studies 01-34	
	NS = Natural Sciences 01-35	
	C = Composite 01-35	
272-274	Sum of Standard Scores	Numeric sum of the 4 subtest standard scores. If any score is (—), the sum is set to (—).

ZIP CODE	SEX	GR. CL.	SOC. SEC. NUMBER

BLANK

INTEREST INVENTORY						
ENGL	MATH	SOC. ST.	SCIENCE	ARTS	PHYS. ED.	TECH.

BLANK

ENDING COLLEGE CHOICE											
1	2	3	4	5	6	7	8	9	10	11	12

COMMUNITY SERVICE										WORK EXPERIENCE										BLANK
1	2	3	4	5	6	7	8	9	10	11	12	13	14	15	16	17	18	19	20	

NEO										BLANK
1	2	3	4	5	6	7	8	9	10	

BLANK

MAGNETIC TAPE STUDENT RECORD RECORD DESCRIPTION

1985-86
(continued)

STATE CODES

LOCATION	FIELD NAME	FIELD CONTENT
279-302	Interest Inventory (Absence of scores, indicated by (—), means student made too few responses for valid score)	1 = Science, 2 = Arts, 3 = Social Service, 4 = Business Contact, 5 = Business Operations, 6 = Technical. "SS" (standard score) range is 20 to 80 or (—).
303-308	Map Regions (College Majors and World-of-Work)	Up to 3 regions; range for each is 01-12, or 99 (missing or undecided).
For test dates prior to October 1985:		
303-306	Map of College Majors Coordinate I (303-304) and Coordinate II (305-306); range is 35-65.	
307-308	World-of-Work Map Region; range is 01-12, or 99 (missing or undecided).	
311	College Choice Number	If nationally tested: 1 = First, 2 = Second, 3 = Third, 4 = Fourth, 5 = Fifth, 6 = Sixth, S = Supplemental (Additional Score Request). If residually tested: A = Module A: Full ACT Assessment; includes Basic Student Identification, ACT Interest Inventory, Student Profile Section (SPS), and 4 subtests. C = Module C: Basic Student Identification and 4 subtests.
316-319	College Code Number	Institution's ACT code number
369-380	Interest Inventory Percentile Rank	Based upon same interest categories (1-6) as found in positions 279-302. Range is 01-99. If Interest Inventory scores are (—), percentile rank is also (—).
401-606	Student Profile Section (SPS) (Items 1-191)	The numbers shown are the item numbers in the SPS questionnaire, a copy of which is available at no cost from ACT. The coding in the tape record follows the coding shown in the SPS except: Y = 1, N = 2, and responses to item 62 appear as alpha (1 = A, 2 = B, etc.). Response to item 190 also appears as 191.
607-615	Accomplishment Scores	The score equals the number of "Yes" (1) responses in the corresponding part of the SPS; range is 0-7. If a given area has no responses marked at all, score is set to (—).
631-690	High School Course/Grade Information	
631-660	Courses Taken or Planned	1 = Taken 2 = Plan to take before graduation 3 = Not taken; do not plan to take Blank = No response or more than one response
661-690	Grades Earned	4 = A 3 = B 2 = C 1 = D 0 = F Blank = No response or more than one response
701-770	College Predictive Information (for participants in ACT Research Services only)	All data are numeric. Percentile and probability ranges are 01-99; GPA range is 0.0 to 4.0. If no predictions made, fields are set to all (—).
773-782	National Norms	Data are numeric; range is 01-99. If ACT score is (—), norm for that score is set to (—).
783	Norms Type (Level)	Indicates the USOE type (level) of national norms used (See <i>Using the ACT Assessment on Campus, 1985-86</i>) 0 = Blank = College-bound Norms 1 = Type 1 Norms 2 = Type 2 Norms 3 = Type 3 Norms 4 = Type 4 Norms

	NUM.	ALPHA
Ala.	01	AL
Alaska	02	AK
Ariz.	03	AZ
Ark.	04	AR
Calif.	05	CA
Colo.	06	CO
Conn.	07	CT
Del.	08	DE
D.C.	09	DC
Fla.	10	FL
Ga.	11	GA
Hawaii	12	HI
Idaho	13	ID
Ill.	14	IL
Ind.	15	IN
Iowa	16	IA
Kans.	17	KS
Ky.	18	KY
La.	19	LA
Maine	20	ME
Md.	21	MD
Mass.	22	MA
Mich.	23	MI
Minn.	24	MN
Miss.	25	MS
Mo.	26	MO
Mont.	27	MT
Nebr.	28	NE
Nev.	29	NV
N.H.	30	NH
N.J.	31	NJ
N.Mex.	32	NM
N.Y.	33	NY
N.C.	34	NC
N.Dak.	35	ND
Ohio	36	OH
Okla.	37	OK
Oreg.	38	OR
Pa.	39	PA
R.I.	40	RI
S.C.	41	SC
S.Dak.	42	SD
Tenn.	43	TN
Tex.	44	TX
Utah	45	UT
Vt.	46	VT
Va.	47	VA
Wash.	48	WA
W.Va.	49	WV
Wis.	50	WI
Wyo.	51	WY
Canada	53	CN
All		
Other	55	

The American College Testing Program
P.O. Box 168
Iowa City, Iowa 52243
(319) 337-1360

USAFA CANDIDATE EVALUATION/AFROTC 4-YEAR SCHOLARSHIP EVALUATION

1 2 3 4	5 6 7 8	9 10 11 12	13 14 15 16	17 18 19 20	21 22 23 24	25 26 27 28	29 30 31 32	33 34 35 36
------------------	------------------	---------------------	----------------------	----------------------	----------------------	----------------------	----------------------	----------------------

(AFROTC Only: Fill in applicant's SSAN above. Use No. 2 pencil)

Applicant Candidate Name Address Telephone	Assigned Liaison Officer (USAFA Only)
--	---------------------------------------

The individual identified above is a(n): (mark one) <input type="radio"/> AFROTC 4-Year Scholarship Applicant <input type="radio"/> USAF Academy Candidate	(USAFA Only) Mail this evaluation by:	The Assigned Liaison Officer identified above should submit the evaluation on this coded form. If the assignment is incorrect, follow the instructions on the back of this form.
--	--	--

EVALUATION INSTRUCTIONS: MARK ONE IN EACH SECTION (A-H). Use No. 2 pencil.

A. SELF-CONFIDENCE →	1	2	3	4	5
<ol style="list-style-type: none"> 1. Nervous and ill-at-ease; must be prodded for information; completely negative self image. 2. Is apologetic; volunteers little information; shows desire to escape interview as soon as possible. 3. Appears at ease; reacts adequately with interviewer; shows moderate sense of self-worth. 4. Mature and comfortable; assists interviewer by volunteering information; is assertive 5. Extremely mature; fully at ease; fully aware of what is expected in an interview. 					
B. HUMAN RELATIONS →	1	2	3	4	5
<ol style="list-style-type: none"> 1. Extremely passive personality; a loner; low self-image; hostile; shows no concern for others. 2. Passive personality; lacks tact; inconsistent in working with others. 3. Appears concerned with others; will probably facilitate attainment of group goals. 4. Strong, engaging personality; encourages and supports others. 5. Eagerly participates with others; extremely effective in a group; charismatic. 					
C. PLANNING AND ORGANIZING →	1	2	3	4	5
<ol style="list-style-type: none"> 1. Disorganized; no short/long-term priorities; no attempt to correct time management problems. 2. Sets no priorities but manages to "get by"; little effort to correct time management or organization problems. 3. Generally well organized, usually plans a daily schedule; few long term priorities. 4. Very effective organizer and planner; sets priorities and generally meets objectives 5. Outstanding manager and organizer; sets priorities and meets objectives consistently; corrects potential problems 					
D. COMMUNICATIVE SKILLS →	1	2	3	4	5
<ol style="list-style-type: none"> 1. Inarticulate; does not understand questions; cannot provide clear answers; gross misuse of grammar; no eye contact 2. Gropes for the correct word; responses disorganized; poor grammar; lack of confidence; avoids eye contact. 3. Speaks correctly and clearly; expresses ideas accurately; few problems with grammar; good eye contact. 4. Articulate; excellent grammar usage; effective delivery; good organization of thoughts; excellent eye contact 5. Very articulate; perfect grammar; outstanding gestures and eye contact; expressive and convincing. 					
E. LEADERSHIP →	1	2	3	4	5
<ol style="list-style-type: none"> 1. Shows no initiative; does not accept responsibility; reluctant to make decisions; no attempt to influence others. 2. Little initiative; tends to put off necessary decisions; hesitates to become involved in difficult situations. 3. Displays initiative; accepts responsibility; sometimes influences others; needs help in difficult situations. 4. Demonstrates a high degree of initiative; accepts responsibility by volunteering; opinion sought by others. 5. Demonstrates outstanding initiative and influence; eagerly seeks out responsibility; advice followed by others. 					
F. MOTIVATION TOWARD AIR FORCE →	1	2	3	4	5
<ol style="list-style-type: none"> 1. No motivation toward the Air Force; uninterested; no real desire to be interviewed. 2. Lukewarm; noncommittal; very little knowledge of the Air Force/AFROTC/AF Academy. 3. Interested in a scholarship/appointment and willing to accept active duty commitments in return for same. 4. Enthusiastic about becoming an Air Force officer; desires to make a good impression 5. Highly motivated toward the Air Force and officer ship; prepared for the interview; eager to make a good impression 					
G. BCT/CADET LIFE PREPARATION (USAFA Only) →	1	2	3	4	5
<ol style="list-style-type: none"> 1. No familiarity with the USAF Academy or what is expected of a cadet. 2. A vague idea about the Academy/cadet life; has not met a cadet nor been to the Academy. 3. Familiar with the general contents of the catalog; has not met a cadet nor been to the Academy. 4. Familiar with specifics of the catalog contents; has met a cadet or been to the Academy. 5. Very familiar with the specifics of the catalog; knows cadets; has been to the Academy. 					
H. My recommendation for selection →	1	2	3	4	5
(Mark one <input type="radio"/> Use back for comments)	Not recommended	With reservation	Moderate	High	Very High

STATEMENTS OF UNDERSTANDING (AFROTC Only)

	Yes	No
1 The applicant understands the obligation incurred by accepting an AFROTC scholarship.		
2 The applicant understands the career field/academic major restrictions of the four-year scholarship program.		
3 The applicant understands the foreign language requirement.		
4 The applicant understands the implications of later pursuing a rated career field or a legal, medical, dental, or other professional (nonline officer) career.		
5 The applicant has applied for admission to a military academy or other scholarship program. If so, indicate which ones.		

6 The applicant understands he/she must meet Air Force weight standards prior to activating a scholarship.		
7 The applicant understands AF drug abuse civil involvement policies.		
8 A waiver is required (If a drug abuse waiver requires AFROTC HQ approval, attach the completed AF Form 2040/2041 to this form. If a civil involvement waiver is required that needs AFROTC HQ approval, mail the AFROTC Form 20, with corroborations to: AFROTC ERUC, Maxwell AFB AL 36112.)		

MILITARY SERVICE OF PARENT OR GUARDIAN

<input type="checkbox"/> Air Force	<input type="checkbox"/> Marines	<input type="checkbox"/> Coast Guard	CURRENT STATUS	<input type="checkbox"/> Active Duty	YEARS OF SERVICE	HIGHEST GRADE
<input type="checkbox"/> Army	<input type="checkbox"/> Navy		<input type="checkbox"/> Reserve	<input type="checkbox"/> Retired Military		

REMARKS BY INTERVIEWER

DESCRIBE YOUR OVERALL IMPRESSION OF THE APPLICANT USING SPECIFIC EXAMPLES OBTAINED DURING THE INTERVIEW.

Fold in half only along this line

Fold in half only along this line

IMPORTANT USAFA Interviews Only-
You are hereby granted an express promise of confidentiality

DETACHMENT CC REVIEW
INITIALS OF DETACHMENT CC (AFROTC Only)

NAME, GRADE AND TITLE OF INTERVIEWER	AFROTC UNIT AND INSTITUTION NAME (AFROTC Only)
DATE	SIGNATURE OF INTERVIEWER

(USAFA Only)

<input type="checkbox"/> 0 <input type="checkbox"/> 1 <input type="checkbox"/> 2 <input type="checkbox"/> 3 <input type="checkbox"/> 4 <input type="checkbox"/> 5 <input type="checkbox"/> 6 <input type="checkbox"/> 7 <input type="checkbox"/> 8 <input type="checkbox"/> 9	<p>Number of times I counseled the candidate.</p> <p>To change the assignment of this candidate from the LO identified on the front of this form you must enter six digits of your LO identification number in these boxes →</p> <p>Then with No 2 pencil, mark the appropriate <input type="checkbox"/> in the column below each digit to encode your LO ID No and assign this candidate to you</p>	<table border="1"> <tr><td>0</td><td>0</td><td>0</td><td>0</td><td>0</td><td>0</td></tr> <tr><td>1</td><td>1</td><td>1</td><td>1</td><td>1</td><td>1</td></tr> <tr><td>2</td><td>2</td><td>2</td><td>2</td><td>2</td><td>2</td></tr> <tr><td>3</td><td>3</td><td>3</td><td>3</td><td>3</td><td>3</td></tr> <tr><td>4</td><td>4</td><td>4</td><td>4</td><td>4</td><td>4</td></tr> <tr><td>5</td><td>5</td><td>5</td><td>5</td><td>5</td><td>5</td></tr> <tr><td>6</td><td>6</td><td>6</td><td>6</td><td>6</td><td>6</td></tr> <tr><td>7</td><td>7</td><td>7</td><td>7</td><td>7</td><td>7</td></tr> <tr><td>8</td><td>8</td><td>8</td><td>8</td><td>8</td><td>8</td></tr> <tr><td>9</td><td>9</td><td>9</td><td>9</td><td>9</td><td>9</td></tr> </table>	0	0	0	0	0	0	1	1	1	1	1	1	2	2	2	2	2	2	3	3	3	3	3	3	4	4	4	4	4	4	5	5	5	5	5	5	6	6	6	6	6	6	7	7	7	7	7	7	8	8	8	8	8	8	9	9	9	9	9	9	<p>NAME AND ADDRESS OF THE NEW LIAISON OFFICER IDENTIFIED TO LEFT.</p> <hr/> <hr/> <hr/> <hr/>
0	0	0	0	0	0																																																										
1	1	1	1	1	1																																																										
2	2	2	2	2	2																																																										
3	3	3	3	3	3																																																										
4	4	4	4	4	4																																																										
5	5	5	5	5	5																																																										
6	6	6	6	6	6																																																										
7	7	7	7	7	7																																																										
8	8	8	8	8	8																																																										
9	9	9	9	9	9																																																										

**FOUR-YEAR SCHOLARSHIP REPORT
(Furnished IAW AFR 45-48, para 7a (3) (4))**

STATUS BY RACE AND SEX

<u>STATUS</u>	<u>TOTAL</u>	<u>CAUCASIAN</u>	<u>BLACK</u>	<u>OTHER MINORITY</u>	<u>MEN</u>	<u>WOMEN</u>
Applied						
Selected						
Alternate						
Disqualified						

REASONS FOR DISQUALIFICATION BY RACE AND SEX

<u>REASON</u>	<u>TOTAL*</u>	<u>CAUCASIAN</u>	<u>BLACK</u>	<u>OTHER MINORITY</u>	<u>MEN</u>	<u>WOMEN</u>
-Ineligible						
-Incomplete						
-Late						
-Disqualifying SAT/ACT						
-Disqualifying Class Rank/ GPA						
-Withdrawal by Applicant						
-No Show for Interview						
-Medical						
-Released by Board						

*Some applicants are disqualified for more than one reason.

**FOUR-YEAR SCHOLARSHIP BOARD RESULTS
FINALISTS/DESIGNEES (% SELECTED)**

	<u>NOV</u>	<u>JAN</u>	<u>MAR</u>	<u>TOTALS</u>
-Finalists vs Designees				
-Deferred to Next Board				
-Board Disqualified				
-Alternates				
-QEP				
-Sex: Male				
Female				
-Race: Caucasian				
Black				
Other Minority				
-Cadets: JROTC				
CAP				
-Academic Means: CEEB				
GPA				
%				

FOUR-YEAR SCHOLARSHIP DESIGNEES/ALTERNATES

	<u>MEAN</u>	<u>MEDIAN</u>	<u>MODE</u>	<u>MAX</u>	<u>MIN</u>	<u>RANGE</u>	<u>S.D.</u>
Class Rank %ile							
GPA							
CEEB							
SAT Math							
SAT Verbal							
ACT Math							
ACT English							

**FOUR YEAR SCHOLARSHIPS VS. FY 90 ACADEMIC MAJOR GOALS
WORKSHEET**

ENGINEERING SCHOLARSHIPS:

(80 % OF TOTAL)

<u>ACADEMIC MAJOR CODE</u>	<u>ACADEMIC MAJOR TITLE</u>	<u>ENGINEERING GOALS (percent) FROM DEC. 84</u>	<u>ENGINEERING SCHOLARSHIPS OFFERED (percent)</u>	<u>NUMBER OFFERED SUB TOTAL OFFERED</u>
4IYY	Electrical	50	53	
4AYY	Aeronautical			
4BYY	Aerospace	30	35	
4EYY	Astronautical			
4HYY	Civil			
4MYX	Mechanical			
4LYY	Industrial			
4QYY	Nuclear	20	12	
4DYX	Architectural			
4NYY	Metallurgical			
4TYY	Systems			
4WYY*	Computer*			

* ONLY APPLIES TO AFIT-APPROVED PROGRAMS AT A SPECIFIC COLLEGE.

SCIENCE SCHOLARSHIPS:

(17 % OF TOTAL)

<u>ACADEMIC MAJOR CODE</u>	<u>ACADEMIC MAJOR TITLE</u>	<u>SCIENCE GOALS (percent) FROM DEC. 84</u>	<u>SCIENCE SCHOLARSHIPS OFFER (percent)</u>	<u>NUMBER OFFERED (SUB TOTAL * OFFERED)</u>
0CYX	Computer Science	40	36	
6YYY	Math	38	40	
8HYY	Physics	12	12	
8FYX	Meteorology	6	7	
2CAY	Architecture	4	5	

NONTECHNICAL SCHOLARSHIPS:

(3 % OF TOTAL)

1AAY	Accounting	9BYY	Economics
1AAY	Business Administration	1AJY	Management

FOUR-YEAR SCHOLARSHIP APPLICANT STATUS REPORT

COMPUTER RUN DATES

AY 86 - 87

AY 1986 - 1987

AY 1985 - 1986

- AY 85 - 86

C

H

FINALIST TOTAL

INCOMPLETE (D)

Q

M

DISQUALIFIED TOTAL

S

E

T

DESIGNEE TOTAL

A

L

ALTERNATE TOTAL

TRANSITORY (F)

TOTAL APPLICANTS

ATCH 16

DIN TABLE

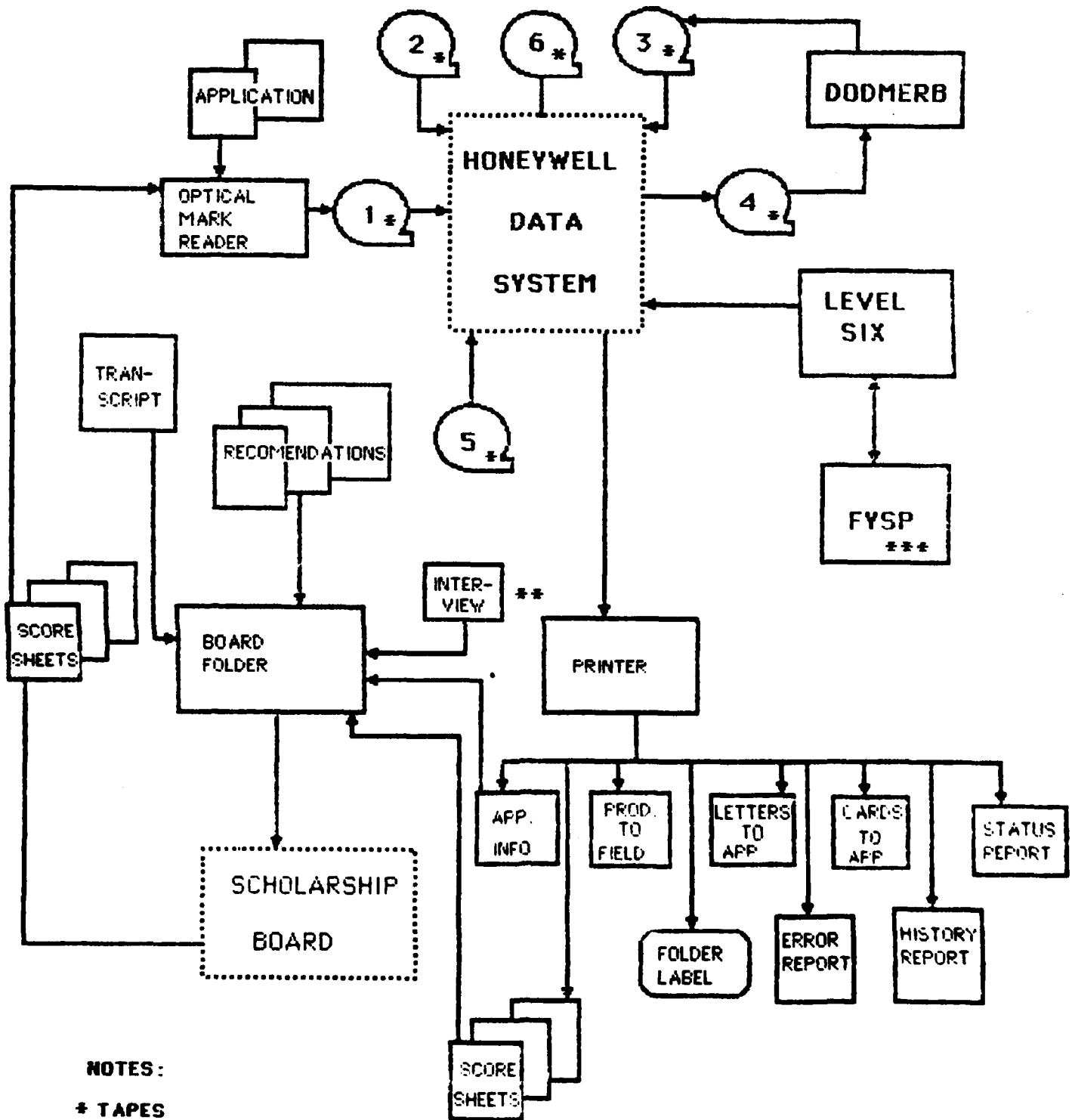
DIN	TYPE DATA	NO. POSITION	FIELD
1	Current Scholarship Status and */W	2	A
2	Social Security Number	9	N
3	Name	27	A
4	Home Address(Bldg and Apt.No,Street Name)	26	A/N
5	Home City	15	A
6	Home State/ Country	2	A
7	Home Zip Code	9	N
8	Home Phone	10	N
9	Gender	1	A
10	Date Of Birth	6	N
11	Ethnic Group	1	A
12	Moral Obligation	1	A
13	Citizenship	5	A
14	File Initiation Date	6	N
15	Armed Forces (Previous Association)	1	A
16	Reside Outside USA	1	A
17	Officer Training (Previous Attempts)	1	A
18	Foreign Travel	1	A
19	Foreign Relatives	1	A
20	Civil Involvement	1	A
21	Graduation Date	4	N
22	College Plan To Attend	4	A/N
23	College plan to attend	4	A/N
24	College plan to attend	4	A/N
25	Present Grade	1	N
26	Math Score	2	N
27	Verbal Score	2	N
28	Source Code (T-Tape, M-Manual Entry)	1	A
29	CEEB	4	N
30	High School Name	22	A
31	High School City	14	A
32	High School State	2	A
33	High School Zip Code	9	N
34	Previous College Attendance	1	A
35	Academic Major (1st Choice)	4	A/N
36	Academic Major (2nd choice)	4	A/N
37	Grade Point Average	3	N
38	Highest Grade Reference	1	N
39	Number In Class	4	N
40	Numeric Rank	4	N

DIN	TYPE DATA	NO. POSITION	FIELD
41	Class Rank	4	N
42	Transcript	1	A
43	Calculation Status (Exact or Estimated)	1	N
44	Class Standing Points	4	N
45	School Offices	12	A/N
46	Points	2	N
47	Musical Achievement	12	A/N
48	Points	2	N
49	Publishing Experience	8	A/N
50	Points	2	N
51	Organizations	12	A/N
52	Points	2	N
53	Scouts	1	A
54	Points	2	N
55	Academic Honors	8	A/N
56	Other Academic Honors	10	A/N
57	Other Academic Honors	10	A/N
58	Other Academic Honors	10	A/N
59	Points	2	N
60	High School Military Organization	1	N
61	AFJROTC Unit	5	A/N
62	Number Of Years	1	N
63	Rank (Highest Held .)	1	A
64	Points	2	N
65	Dramatic Experience	4	A/N
66	Points	2	N
67	Work Experience	4	A/N
68	Points	2	N
69	Private Pilot	1	A
70	Commerical pilot	1	A
71	Radio Experience	1	A
72	Points	2	N
73	Public Speaking	4	A
74	Points	2	N
75	Baseball/ Softball	4	A/N
76	Basketball	4	A/N
77	Boxing	4	A/N
78	Cheerleading	4	A/N
79	Skiing	4	A/N

DIN	TYPE DATA	NO. POSITION	FIELD
80	Soccer	4	A/N
81	Swimming/Diving	4	A/N
82	Tennis	4	A/N
83	Football	4	A/N
84	Golf	4	A/N
85	Gymnastics	4	A/N
86	Hockey	4	A/N
87	Cross Country	4	A/N
88	Fencing	4	A/N
89	La Crosse	4	A/N
90	Rifle/Pistol	4	A/N
91	Rugby	4	A/N
92	Track	4	A/N
93	Wrestling	4	A/N
94	Others (Name and Codes)	15	A/N
95	Others (Name and Codes)	15	A/N
96	Points	3	N
97	Number of Teacher Rating Applicant	1	N
98	Motivation Average	3	N
99	Industry Average	3	N
100	Initiative Average	3	N
101	Leadership Average	3	N
102	Concern For Others Average	3	N
103	Responsibility Average	3	N
104	Integrity Average	3	N
105	Stability Average	3	N
106	Communicative Skills Average	3	N
107	Points	4	N
108	Cadet Profile Score	4	N
109	Administrative Unit	4	A/N
110	ADCO Area	4	A/N
111	Date Unit Notified Of Interview Requirement	6	N
112	Interview Rating (Overall)	1	N
113	Date Interview Filed	6	N
114	Space For Each Factor On Front Of Interview Form	6	N
115	Points	3	N
116	Medical Status	2	A/N
117	Medical Status Date	6	N

DIN	TYPE	DATA	NO.	POSITION	FIELD
118		Failure to Appear (Medical)	1		A
119		Medical Disqualification Causes	3		N
120		Medical Disqualification Causes	3		N
121		Medical Disqualification Causes	3		N
122		Medical Disqualification Causes	3		N
123		Medical Disqualification Causes	3		N
124		Information to DODMERB Date	4		N
125		Previous Scholarship Status (Status Code and Month and Day)	5		A/N
126		- - - -	-		-
127		- - - -	-		-
128		- - - -	-		-
129		- - - -	-		-
130		QEP Identifier	1		N
131		Board Designation	1		A
132		Board Rank	4		N
133		Panel Designation	1		N
134		Panel Member 1 Score	3		N
135		Panel Member 2 Score	3		N
136		Panel Member 3 Score	3		N
137		Composite Panel Score (Total)	3		N
138		Type Scholarship (M-manual,J-JROTC) (A-automatic-awarded by program)	1		A
139		Busy File	1		N
140		Postcard Last Sent	2		N
141		Count	2		N
142		Designate Major	4		A/N
143		Letter of Admission (school will attend)	5		A/N
144		File Code	7		A/N
145		Cost Per Semester	5		N
146		Alternate Rank	4		N
147		USAF Academy Interests	1		A
148		Disqualification Codes	3		A/N
149		Disqualification Codes	3		A/N
150		Disqualification Codes	3		A/N
151		Disqualification Codes	3		A/N
152		Disqualification Codes	3		A/N
153		Minimum Standards Waived	1		A

PROPOSED INFORMATION FLOW CHART



NOTES:

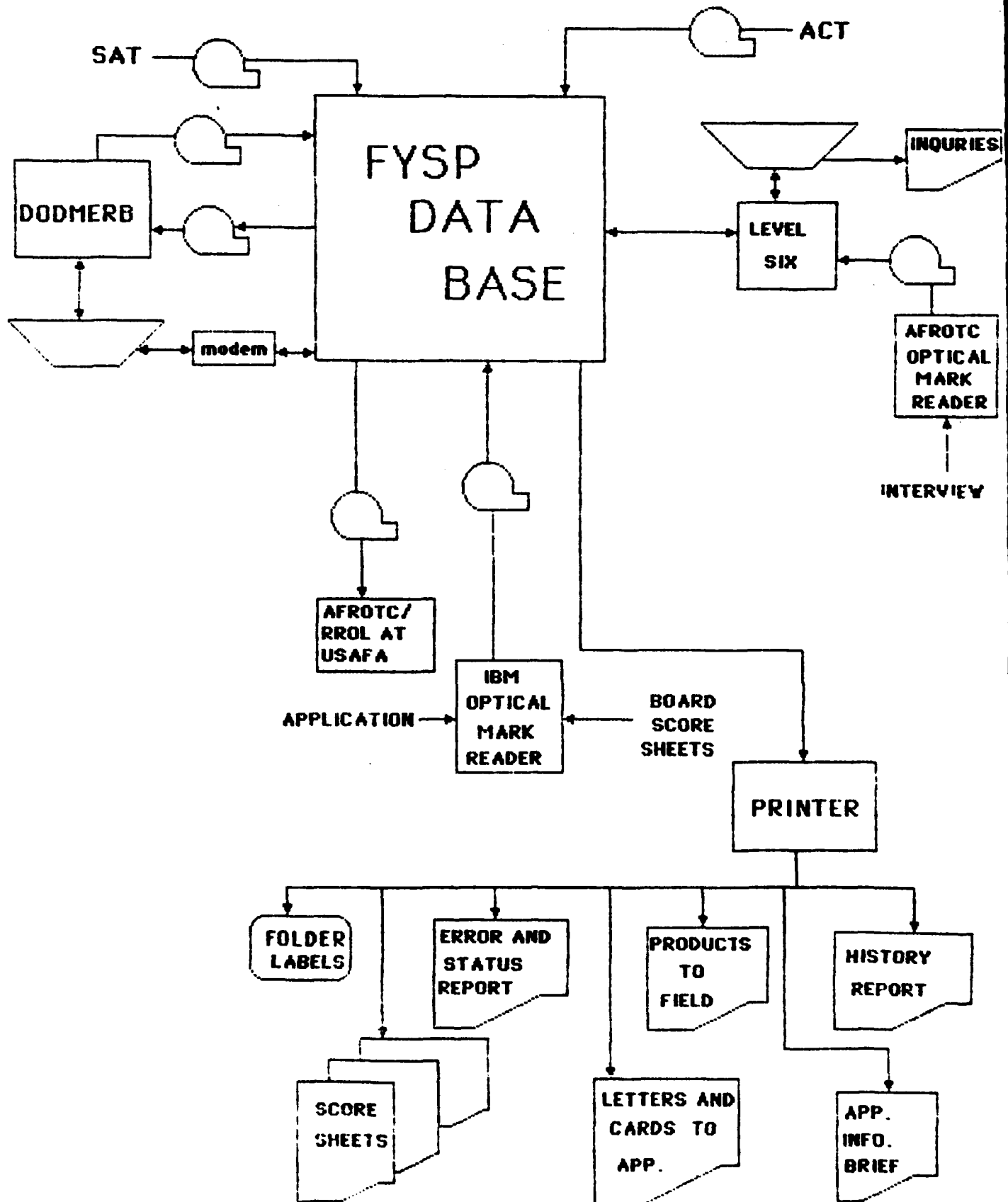
*** TAPES**

- 1 OMR input
- 2 SAT scores
- 3 DODMERB input
- 4 DODMERB output
- 5 ACT scores
- 6 AFA File

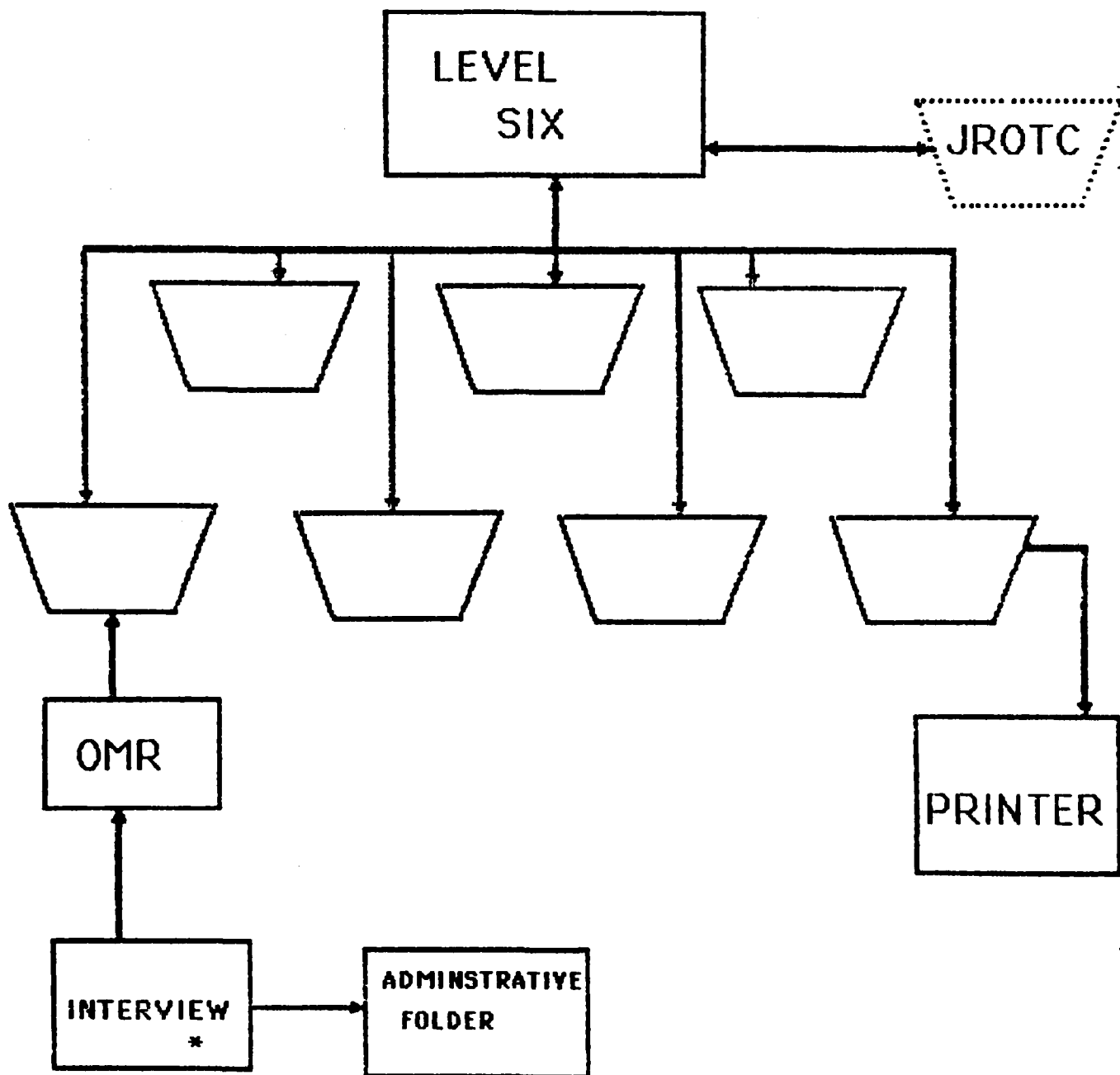
**** ADDED TO FOLDER AFTER DATA OPTICALLY READ.**

***** SEE FYSP OFFICE SYSTEM**

PROPOSED DATA SYSTEM



PROPOSED FYSP OFFICE SYSTEM



*AFTER BEING OPTICALLY READ THE INTERVIEW EVALUATION FORM IS FILED IN THE ADMIN. FOLDER UNTIL THE BOARD.

AIR FORCE ROTC FOUR-YEAR SCHOLARSHIP APPLICATION

OMB: No. 0701-0101
Expires: 31 Aug 1988

FOLLOW THESE STEPS IN FILLING OUT THE
AIR FORCE ROTC FOUR-YEAR SCHOLARSHIP APPLICATION FORMS

PRIVACY ACT STATEMENT

Please read the following statement required by the Privacy Act of 1974 before completing the application:

1. **AUTHORITY:** 10 USC 2101 and 8012; EO 9397.
2. **PRINCIPLE PURPOSE(S):** To determine eligibility and select individuals to receive Air Force Reserve Officer Training Corps (AFROTC) Scholarships.
3. **ROUTINE USES:** To input applicant information for scholarship selection, for statistical analysis of the scholarship programs characteristics and for research on the characteristics of scholarship holders versus others on active duty.
4. **MANDATORY OR VOLUNTARY DISCLOSURE AND EFFECT ON INDIVIDUAL PROVIDING INFORMATION:**
Disclosure of information requested on this form is voluntary. However, the information must be furnished for applicant to receive consideration for an AFROTC scholarship.

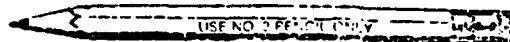
Read the following instructions carefully before filling out this form.

Applicant must fill out Parts I, II, and IV of this application completely with a #2 pencil even though you may have already filled out a similar form for an ROTC scholarship program of another service. Fill out Part V and sign the release statement in Item 5-4 in ink. Then submit the application to your principle and/or counselor and request they complete the remaining portion of the forms and ask them to mail it to AFROTC Headquarters. A high school official *must* complete Part III and VI with a #2 pencil, and sign Part V in ink.

DO NOT FOLD. STAPLE OR TAPE ANY PAGES OF THIS FORM. ENTER INFORMATION IN CAPITAL LETTERS AND ENSURE YOUR SOCIAL SECURITY NUMBER IS ENTERED ON EACH PAGE OF THIS APPLICATION AS APPROPRIATE. Any items not explained in writing in the instructions are considered self-explanatory but still must be completed. Entries not machine readable can result in elimination from the program.

DO NOT SEPARATE THE NEXT 16 PAGES. Provide the entire forms package to your principle and/or counselor and request that they forward the package to — Air Force ROTC/Four-Year Scholarship Branch, Maxwell AFB, AL 36112-6663 — **once** they have completed their portion of the package. APPLICATIONS MUST BE POSTMARKED BY DECEMBER 1.

GENERAL INSTRUCTIONS



- Make black marks that fill the capsule completely.
- Erase cleanly any item you wish to change.
- Make no stray marks on the application form.
 - Use ink only where specified.
 - All signatures must be signed in ink.

CORRECT MARKS:

J	E	F	A	C	E
A	A	A	A	A	A
C	C	C	C	C	C
U	U	U	U	U	U
V	V	V	V	V	V
I	I	I	I	I	I
O	O	O	O	O	O
S	S	S	S	S	S
G	G	G	G	G	G
H	H	H	H	H	H
L	L	L	L	L	L
M	M	M	M	M	M
N	N	N	N	N	N
P	P	P	P	P	P
Q	Q	Q	Q	Q	Q
R	R	R	R	R	R
T	T	T	T	T	T
X	X	X	X	X	X
Z	Z	Z	Z	Z	Z

INCORRECT MARKS:

J	E	F	A	C	E
A	A	A	A	A	A
B	B	B	B	B	B
C	C	C	C	C	C
D	D	D	D	D	D
E	E	E	E	E	E
F	F	F	F	F	F
G	G	G	G	G	G
H	H	H	H	H	H
I	I	I	I	I	I
J	J	J	J	J	J
K	K	K	K	K	K
L	L	L	L	L	L
M	M	M	M	M	M
N	N	N	N	N	N
O	O	O	O	O	O
P	P	P	P	P	P
Q	Q	Q	Q	Q	Q
R	R	R	R	R	R
S	S	S	S	S	S
T	T	T	T	T	T
U	U	U	U	U	U
V	V	V	V	V	V
W	W	W	W	W	W
X	X	X	X	X	X
Y	Y	Y	Y	Y	Y
Z	Z	Z	Z	Z	Z

INSTRUCTIONS - PART I - APPLICATION DATA - Page 3

ITEM 1-1: Social Security Number (SSN) - Enter your SSN and fill in appropriate capsules. Social security numbers are for applicant identification. If you do not have a social security number, the form to obtain one is SS Form 5, which is available at all post offices and district social security offices. If you do not receive the SSN by Mid-November, you should mail the application and advise this headquarters of your SSN when received. SSN is required on each machine read page

ITEM 1-2: Name, Scholarship Applicant - Print your last name, first name and middle initial. Allow one space in between names. Fill in appropriate capsules to match the alphabetical letters in your name. If you are a JR, II, III, etc. enter this one space after your middle initial. Abbreviate first name if required.

ITEM 1-3: Telephone, Home Number - Enter your home phone number to include the area code and fill in the capsules to match the numbers. If you do not have a phone, please leave blank.

ITEM 1-4: Sex - Fill in appropriate capsules.

ITEM 1-5: Moral Obligations - Fill in the appropriate capsule. If your answer is "yes", you must enclose an explanation on a separate sheet of paper.

ITEM 1-6: Citizenship - If you are not a citizen you may submit an application. However, citizenship must be obtained by October the year you plan to start college before a scholarship can be activated. Fill in the appropriate capsules. You must complete this item. New guidelines for those individuals born in U.S. military or civilian hospitals overseas are as follows: "A valid passport and an FS Form 240, the Report of Birth Abroad of a U.S. Citizen, will be sufficient and conclusive proof of citizenship."

ITEM 1-7: Ethnic Group - This must be completed. Fill in the corresponding coded capsule.

ITEM 1-8 and 9: Self-explanatory.

ITEM 1-10: Civil Involvement - You must complete this item. If you answer "yes", no matter if it was adjudicated or not, you must request a waiver during the formal interview phase of the four-year scholarship process. Check either yes or no by each involvement to answer if drug or alcohol was involved.

PART I - APPLICANT DATA

1-1 SOCIAL SECURITY NO. [Bubble grid]

1-2 NAME LAST, SHIP SPACE, FIRST, SHIP SPACE, MI. [Bubble grid]

1-3 HOME PHONE NUMBER [Bubble grid]

1-4 SEX
 MALE FEMALE

1-5 MORAL OBLIGATION
 DO YOU HAVE ANY MORAL OBJECTION THAT WILL PREVENT YOU FROM VOLUNTARILY BEARING ARMS AND SUPPORTING OR DEFENDING THE CONSTITUTION OF THE UNITED STATES FROM ALL ENEMIES FOREIGN AND DOMESTIC? IF YES ATTACH AN EXPLANATION.
 YES NO

1-6 CITIZENSHIP
 YES NO
 SOURCE: NATURALIZATION
 BIRTH: [Bubble grid]
 IF NO, AND CITIZENSHIP HAS BEEN APPLIED FOR, GIVE ANTICIPATED DATE CITIZENSHIP WILL BE GRANTED
 MONTH: [Bubble grid] YEAR: [Bubble grid]

1-7 ETHNIC GROUP
 CODE GROUP A ALEUT B AMERICAN INDIAN C ASIAN AMERICAN D BLACK E CAUCASIAN F CHINESE G CUBAN H ESKIMO I FILIPINO J JAPANESE K KOREAN L MEXICAN AMERICAN M PUERTO RICAN N SPANISH O OTHER

1-8 Are you now or have you ever been a member of the U.S. Armed Forces, Reserves, National Guard, or U.S. Public Health Service (signed an Enlistment Contract DD Form 417)? If yes, indicate Branch, Unit and address, number, grade, date of enlistment, and highest grade attained. If discharged, give date and type of discharge.
 YES NO

1-9 Have you now or have you been enrolled in an officer training program of the Army, Navy, or Air Force, including ROTC Marine Platoon Leaders School, Military Service Academies, and Service academy, Preparatory School, or other institution of higher learning? If yes, give place, dates of enrollment, type of program, and reason for discontinuance. (Do not include High School ROTC)
 YES NO

1-10 Have you ever been arrested, detained, summoned into court, indicted or convicted for a violation of either military law, including juvenile offenses and moving traffic violations? If yes, give complete details of violation, name and place of court, nature of offense and disposition of case. Concealing or failing to report an arrest, conviction, or plea information may result in denial of candidacy and removal from consideration for ROTC. If additional space is required, continue on separate sheet.
 YES NO

INVOLENT: DATE OF INVOLVEMENT: NAME AND ADDRESS OF ARRESTING AUTHORITY (if COURT):

1-11 [Bubble grid]

1-12 [Bubble grid]

1-13 [Bubble grid]

1-14 [Bubble grid]

1-15 [Bubble grid]

INSTRUCTIONS - PART I - APPLICANT DATA - Page 5

ITEM 1-11 Current Mailing Address - Print your *current* mailing address. (the address where you will reside this academic year and abbreviate as necessary. Fill in appropriate capsules to match the numbers or alphabet. Use approved U.S. Postal Service abbreviations provided below. If you are residing overseas when you apply or will be residing overseas, fill in the appropriate capsule and print the name of the country in which you reside. If you are or will be attending a school in a location other than your hometown, indicate on a separate sheet of paper the school's name, address, phone number, and inclusive dates during which you are or will be attending the school. Enter zip code from left to right; if the last four digits cannot be determined, enter four zeros.

APPROVED U.S. POSTAL ABBREVIATIONS

For Street Addresses

Apartment	APT	Garden	GDN	Park	PK	Street	ST
Avenue	AVE	Headquarters	HO	Parkway	PKWY	Terrace	TR
Boulevard	BLVD	Heights	HTS	Pike	PI	Trail	TRL
Box	BX	Highway	HWY	Place	PL	Trailer	TRLR
Broadway	BDWY	Lake	LK	Point	PT	Turnpike	TPKE
Court	CT	Lane	LA	Port	PT	Way	WY
Drive	DR	Mount	MT	Road	RD	West	W
East	E	Mountain	MT	Route	RT		
Fort	FT	North	N	South	S		

For States and Territories

Alabama	AL	Illinois	IL	Montana	MT	Puerto Rico	PR
Alaska	AK	Indiana	IN	Nebraska	NE	Rhode Island	RI
Arizona	AZ	Iowa	IA	Nevada	NV	South Carolina	SC
Arkansas	AR	Kansas	KS	New Hampshire	NH	South Dakota	SD
California	CA	Kentucky	KY	New Jersey	NJ	Tennessee	TN
Colorado	CO	Louisiana	LA	New Mexico	NM	Texas	TX
Connecticut	CT	Maine	ME	New York	NY	Utah	UT
Delaware	DE	Maryland	MD	North Carolina	NC	Vermont	VT
District of Columbia	DC	Massachusetts	MA	North Dakota	ND	Virginia	VA
Florida	FL	Michigan	M	Ohio	OH	Virgin Islands	VI
Georgia	GA	Minnesota	MN	Oklahoma	OK	Washington	WA
Guam	GU	Mississippi	MS	Oregon	OR	West Virginia	WV
Hawaii	HI	Missouri	MO	Pennsylvania	PA	Wisconsin	WI
Idaho	ID					Wyoming	WY

ITEM 1-12: Social Security Number (SSN) - Enter your SSN in the blocks provided and fill in the capsules that match the numbers. **SSN REQUIRED ON EACH PAGE.**

ITEM 1-13: Date of Birth (DOB) - Enter your date of birth in the blocks and fill in the capsules that match the numbers. Please notice that your DOB is to be entered *month, date, and year*. **EXAMPLE:** July 1, 1967 must be entered as 07 01 67.

ITEM 1-14: Foreign Travel - Self-explanatory, but must be completed.

PART I - APPLICANT DATA (CONTINUED)

1-11 ADDRESS [Grid of 10x10 characters]										CITY [Grid of 10x10 characters]										STATE [Grid of 10x10 characters]										7-12 SOCIAL SECURITY NO. [Grid of 10x10 characters]									
ZIP CODE OR CITY [Grid of 10x10 characters]										1-13 DATE OF BIRTH MO DATE YR [Grid of 10x10 characters]										[Grid of 10x10 characters]										[Grid of 10x10 characters]									
DO YOU RESIDE OUTSIDE THE UNITED STATES? YES [] NO []										1-14 FOREIGN TRAVEL Have you visited any of the countries listed below after the date indicated for each? Do you have any immediate relatives (spouse, parents, sister, brother, or offspring) residing in any of the countries listed? NOTE: If you answered "yes" to either question include a complete explanation on a separate sheet of paper.										YES [] NO [] YES [] NO []																			

- ALBANIA (11 JAN 46)
- BULGARIA (27 JUL 46)
- CUBA (2 DEC 60)
- CZECHOSLOVAKIA (25 FEB 48)
- HUNGARY (1 JUN 47)
- POLAND (7 FEB 47)
- ROMANIA (11 APR 46)
- RUSSIA (25 OCT 23)
- SOVIET SECTOR OF BERLIN (1 APR 46)
- YUGOSLAVIA (11 NOV 43)

INSTRUCTIONS - PART II - EDUCATIONAL DATA - Page 7

- ITEM 2-1: Graduation - Enter the month and year you will graduate (or graduated) and fill in the capsules that match the numbers
- ITEM 2-2: Air Force Academy (AFA) Interest - If you want to be screened for meeting AFA admissions requirements, enter yes
- ITEM 2-3: Grade Level, Present - Fill in the appropriate capsule of your present grade level.
- ITEM 2-4: Self-explanatory, but must be completed. Please check the section in the information booklet on SAT/ACT testing for the last acceptable test dates. For future test use Institution code "0548" to have scores sent directly to AFROTC.
- ITEM 2-5: Enter the AFROTC host institutions you are considering if you are offered a scholarship. All Air Force ROTC host institutions and their detachment numbers are listed in the information booklet. If you will attend a school with a "*" preceding it, use the detachment number under which your institution is listed. Enter one to three choices and code the detachment numbers in the appropriate capsules.
- ITEM 2-6: Academic Major - Enter the code of the academic major you will pursue in college. This major *must* be one for which the Air Force offers a four-year scholarship - refer to the academic majors list in the information booklet to determine the appropriate code. Enter two choices and code the appropriate capsules.
- ITEM 2-7: High School Currently Attending - Self-explanatory, but must be completed.
- ITEM 2-8: Self-explanatory. SSN is required on each page
- ITEM 2-9: Zip code - Enter zip code from left to right. If the last four digits cannot be determined enter four zeros
- ITEM 2-10: Previous College Attendance - Please provide the information requested. If you have previously attended college or are currently taking college courses, please refer to the section in the information booklet for eligibility

PART II - EDUCATIONAL DATA

2-1 SEX M <input type="checkbox"/> F <input type="checkbox"/>		2-2 BIRTH DATE MM DD YY 01 01 01		2-3 PRESENT GRADE 01		2-4 APPLICANCE TEST SAT <input type="checkbox"/> ACT <input type="checkbox"/>		2-5 COLLEGE YOU PLAN TO ATTEND 1st CHOICE 2nd CHOICE 3rd CHOICE		2-6 ACADEMIC MAJOR 1st CHOICE 2nd CHOICE		2-7 HIGHER EDUCATION INTEREST 01		2-8 SOCIAL SECURITY NUMBER 01 01 01 01 01 01 01 01 01 01		2-9 HIGH SCHOOL AP CODE 01 01 01 01 01 01 01 01 01 01		2-10 PREVIOUS COLLEGE ATTENDANCE PART TIME <input type="checkbox"/> FULL TIME <input type="checkbox"/> NONE <input type="checkbox"/>		COLLEGE OR UNIVERSITY ATTENDED CITY STATE	
2-11 HIGH SCHOOL CURRENTLY ATTENDING NAME										CITY											
01 01 01 01 01 01 01 01 01 01										01 01 01 01 01 01 01 01 01 01											

INSTRUCTIONS - PART III - SCHOLASTIC RECORD - TO BE COMPLETED AND AUTHENTICATED BY AN AUTHORIZED HIGH SCHOOL OFFICIAL - Page 9

Special Instructions:

Unless the applicant's exact or estimated rank in class or Grade Point Average (GPA) is provided, the application cannot be considered. The applicant's rank in class should be calculated or estimated on the basis of work through the 11th grade or the highest grade completed. Ensure a transcript of academic record for all high schools and preparatory schools attended is included with this application.

ITEM 3-1: Enter the social security number of the applicant in the blocks provided and fill in the capsules to match the numbers. SSN is required on each page.

ITEM 3-2 Grade Point Average (GPA). Academic - *Do not* enter percentage grades in this area. A grade point average based on a four-point scale is what is requested. The most common grading method is the use of letters (A, B, C, D & F) to indicate the level of quality of academics performed. To calculate numerical equivalent points: assign each letter (A = 4; B = 3; C = 2; D = 1; and F = 0) the appropriate points, add together the numbers, then divide by the total number of grades considered. If your grading system prevents you from converting to a four-point scale, please explain in ITEM 3-6 or on a separate sheet of paper. Like class rank, GPA is a factor in scholarship consideration. If the applicant's GPA is not indicative of the individual's achievement (i.e. unweighted honors courses) please explain in ITEM 3-6.

ITEM 3-3 Class Standing - Enter the numeric rank and number in class (enter each from *right* to left, preceding unfilled spaces with zeros (0) and fill in the capsules matching the numbers). **SINCE CLASS STANDING IS A FACTOR IN DETERMINING AN APPLICANT'S QUALIFICATION FOR A SCHOLARSHIP, PLEASE EXPLAIN WHY THE CLASS STANDING OF THE APPLICANT MAY NOT PORTRAY A FAIR ASSESSMENT OF THE APPLICANT'S ABILITY** (i.e. select admitting to your program or an advanced curriculum). Explain in Item 3-6 or use a separate page if required. **EXAMPLE:** Class rank of 10 in a class of 350 would be entered as:

 | 0 | 0 | 1 | 0 | and | 0 | 3 | 5 | 0 |

The Class Rank Block will be completed by AFROTC Personnel.

ITEM 3-4 through 3-7: Self-explanatory. Please consider previously mentioned items.

FURTHER INSTRUCTIONS TO HIGH SCHOOL OFFICIAL

Please verify the information on the following pages which were filled out by the applicant. Your verification and authentication of the information is *required* in ITEM 5-9, please sign in ink.

A copy of the applicant's *high school transcript* containing grades for the ninth, tenth, and eleventh grades is *required*. Each year a number of applicants are removed from competition because the transcript was not forwarded with the application. If your records indicate a SAT and/or ACT score on the applicant, *please* record such score(s) on the transcript or ensure record copy verification is sent with the application, even though the applicant may have released the scores to Air Force ROTC.

IF THIS INFORMATION AND THE TRANSCRIPT COMPLETED THROUGH 11th GRADE ARE NOT RECEIVED BY AFROTC BY DECEMBER 1, THE APPLICANT WILL BE ELIMINATED FROM SCHOLARSHIP COMPETITION. NO EXCEPTION CAN BE GRANTED.

NOTE: If you apply early, you may update your file anytime prior to December 1. Any update not verified, signed by a school official, and received by December 1, will not be accepted. However, copies of SAT/ACT score sheets will be accepted until January 15.

INSTRUCTIONS - PART IV - EXTRACURRICULAR AND ATHLETIC ACTIVITIES.

Ensure you indicate only activities in the appropriate areas that can be verified as being credited to you.
School official must validate/certify Part IV.

Section A - Extracurricular Activities

ITEM 4-1 through 4-5 Self explanatory.

ITEM 4-6 High School ROTC or Military related Organization - Code the appropriate capsule for a service ROTC or other, do not code both. Code one capsule for *each* year of participation 9 through 12. Code one capsule for the highest rank attained; if you coded *OTHER* select the appropriate rank and enter the code (Example CAP major would code to the left of major)

ITEMS 4-7, 8, 10 and 11 are self-explanatory. SSN is required on each page.

ITEM 4-9 Paid Work - Indicate only the highest average weekly hours worked during an academic year. **DO NOT** include summer work

ITEM 4-12 For AFROTC Use only.

SECTION B - Athletic Activities.

ITEM 413: Sports self-explanatory. However, under the area indicated as "Other" you may include such sports as polo, orienteering, etc.

INSTRUCTIONS - PART V — AUTHENTICATION - Page 13

ITEM 5-1: The social security number of the applicant should be entered in the blocks provided.

ITEM 5-2: Self-explanatory, but *must* be completed.

ITEM 5-4: Self-explanatory, but if you choose not to sign, this application will not be used and you cannot be considered for a scholarship.

ITEM 5-5 through 5-8: Self-explanatory, but must be completed if applicable.

ITEM 5-9: Date, signature and position of school official - *must* be completed.

— NOTE TO SCHOOL OFFICIALS —

OFFICIAL HIGH SCHOOL TRANSCRIPT complete through 11th grade and verification of **SAT/ACT SCORES** (if previously taken) must accompany all applications.

SAT/ACT scores will be accepted until January 15 on all candidates with applications on file by December 1.

INSTRUCTIONS - PART VI - AFROTC 4-YEAR SCHOLARSHIP PROGRAM STATEMENT OF RECOMMENDATION - Pages 15 and 16

ITEM 6-1 through 6-8: Self-explanatory. Ensure applicants SSN is coded in Item 6-1 and teachers use #2 Pencil to code Item 6-2.

PART V - AUTHENTICATION

NAME SCHOLARSHIP APPLICANT (IF ENL. FIRST, VA) PLEASE PRINT

5-1 SOCIAL SECURITY NUMBER

--	--	--	--	--	--	--	--	--	--

5-2 STATE BRIEFLY WHY YOU DESIRE TO RECEIVE A COMMISSION AS AN OFFICER OR PURSUE A MILITARY CAREER.

5-3 DATE (YYMMDD) 5-4 APPLICANT'S SIGNATURE

5-5 PARENT OR LEGAL GUARDIAN'S NAME AND ADDRESS

5-6 AS PARENT LEGAL GUARDIAN OF _____ I UNDERSTAND I WILL HAVE TO GIVE MY CONSENT TO HIS/HER ENLISTMENT IN A RESERVE COMPONENT OF THE ARMED FORCES (IF APPLICANT WILL NOT REACH 18 AT TIME OF ENLISTMENT) AND TO HIS/HER ENTERING IN CONTRACT WHICH LEADS TO COMMISSION (IF UNDER 21, I FURTHER UNDERSTAND THAT IF A COMMISSION IS TENDERED, THAT AN ACTIVE DUTY OBLIGATION WILL BE INCURRED

5-7 DATE (YYMMDD) 5-8 SIGNATURE OF PARENT/LEGAL GUARDIAN

5-9 NOTE TO SCHOOL OFFICIAL THE PRECEDING INFORMATION ON THE STUDENT'S ACTIVITIES IS AN IMPORTANT CRITERION IN THE COLLEGE SCHOLARSHIP PROGRAM SELECTION PROCESS. PLEASE ENTER YOUR SIGNATURE BELOW AS VALIDATION OF SCHOOL DATA, ATHLETIC AND EXTRACURRICULAR ACTIVITIES AS REPORTED HERE BY THE APPLICANT.

I CERTIFY THAT THE PRECEDING INFORMATION CONCERNING SCHOLASTIC, ATHLETIC AND EXTRACURRICULAR ACTIVITIES DATA IS COMPLETE AND CORRECT TO THE BEST OF MY KNOWLEDGE. (PLEASE SIGN IN VA.)

DATE (YYMMDD)

X

SIGNATURE OF SCHOOL OFFICIAL

SCHOOL POSITION OR TITLE

PART VI AFROTC 4-YEAR SCHOLARSHIP PROGRAM STATEMENT OF RECOMMENDATION

SOCIAL SECURITY NUMBER

0	0	0	0	0	0	0	0	0	0	0	0	0	0	0	0	0	0	0	0
1	1	1	1	1	1	1	1	1	1	1	1	1	1	1	1	1	1	1	1
2	2	2	2	2	2	2	2	2	2	2	2	2	2	2	2	2	2	2	2
3	3	3	3	3	3	3	3	3	3	3	3	3	3	3	3	3	3	3	3
4	4	4	4	4	4	4	4	4	4	4	4	4	4	4	4	4	4	4	4
5	5	5	5	5	5	5	5	5	5	5	5	5	5	5	5	5	5	5	5
6	6	6	6	6	6	6	6	6	6	6	6	6	6	6	6	6	6	6	6
7	7	7	7	7	7	7	7	7	7	7	7	7	7	7	7	7	7	7	7
8	8	8	8	8	8	8	8	8	8	8	8	8	8	8	8	8	8	8	8
9	9	9	9	9	9	9	9	9	9	9	9	9	9	9	9	9	9	9	9

AFFROTC SCHOLARSHIP APPLICANT
AUTHORIZATION FOR ACCOMPLISHMENT AND RELEASE OF THIS RECOMMENDATION
 PRINT NAME (Last, First and Middle Initial)
 TO WHOM IT MAY CONCERN I authorize accomplishment and release of all parts of the statement of recommendation herein. My qualifications as a candidate for a 4-year scholarship and as a future officer in the USAF Junior ROTC Program will be as provided by the AFROTC Scholarship Selection Board. This form is subject to the provisions of the Privacy Act and the Freedom of Information Act.

SIGNATURE OF APPLICANT _____ **DATE** _____
6-1 INSTRUCTIONS TO SCHOOL OFFICIAL Please complete and return this entire package directly to AFROTC Do not return to applicant.

1 To be completed by the rights school principal or guidance counselor.
 2 Please print name.
 3 To be completed by the applicant. Please circulate this form among the student's present teachers and have them indicate by check (✓) the student's personal characteristics in item 6-2.
 4 Comments or recommendations: Provide a specific statement in item 6-3 regarding the applicant's character, leadership ability and progress in working with others. Judgment, adaptability, physical fitness, writing ability, oral expression and behavior should be noted.

6-2 PERSONAL CHARACTERISTICS

THE FOLLOWING CHARACTERISTICS ARE DESCRIPTIONS OF BEHAVIOR WHERE POSSIBLE INCLUDE THE JUDGEMENTS OF FIVE OF THE PUPILS TEACHERS HAVE THEM EVALUATE EACH CHARACTERISTIC FROM ONE TO FIVE, WITH FIVE BEING THE HIGHEST RATING OF THE FOLLOWING SCALE WILL AID IN JUDGING EACH CHARACTERIZATION.

	1	2	3	4	5
MOTIVATION	Purposeless	Vacillating	Usually Purposeful	Effectively Motivated	Highly Motivated
INDUSTRY	Sluggish Works Even Under Pressure	Needs Constant Pressure	Needs Occasional Prodding	Prepares Assigned Work Regularly	Seeks Additional Work
INITIATIVE	Merely Confirms	Seldom Initiates	Frequently Initiates	Constantly Self-Reliant	Actively Creative
INFLUENCE AND LEADERSHIP	Negative	Cooperative But Reluctant	Sometimes in Minor Affairs	Constantly Involuntarily	Actively Creative
CONCERN FOR OTHERS	Indifferent	Self-Centered	Somewhat Socially Concerned	Generally Concerned	Clearly and Actively Concerned
RESPONSIBILITY	Unreliable	Somewhat Dependable	Usually Dependable	Conscientious	Assumes Much Responsibility
INTEGRITY	Not Dependable	Questionable at Times	Generally Honest	Reliable Dependable	Unusually Trustworthy
EMOTIONAL STABILITY	Hyperemotional or Raming	Excitable	Usually Well-Balanced	Well-Balanced	Emotionally Stable
COMMUNICATIVE SKILLS	Lacks Clarity	Understandable	Articulate	Articulate	Articulate

	MOTIVATION					INDUSTRY					INITIATIVE					INFLUENCE AND LEADERSHIP					CONCERN FOR OTHERS				
	1	2	3	4	5	1	2	3	4	5	1	2	3	4	5	1	2	3	4	5	1	2	3	4	5
TEACHER 1	0	0	0	0	0	0	0	0	0	0	0	0	0	0	0	0	0	0	0	0	0	0	0	0	0
TEACHER 2	0	0	0	0	0	0	0	0	0	0	0	0	0	0	0	0	0	0	0	0	0	0	0	0	0
TEACHER 3	0	0	0	0	0	0	0	0	0	0	0	0	0	0	0	0	0	0	0	0	0	0	0	0	0
TEACHER 4	0	0	0	0	0	0	0	0	0	0	0	0	0	0	0	0	0	0	0	0	0	0	0	0	0
TEACHER 5	0	0	0	0	0	0	0	0	0	0	0	0	0	0	0	0	0	0	0	0	0	0	0	0	0

6-3 COMMENTS AND RECOMMENDATIONS (Attach a separate sheet if necessary)

6-4 MOTIVATION: Based upon your knowledge of the student, what do you feel is the reason that the student is applying for an Air Force ROTC 4 Year Scholarship?

6-5 ACADEMIC POTENTIAL: Based on your experience and the student's academic achievements, indicate the student's potential to successfully complete college.

- LITTLE CHANCE OF SUCCESS
 MAY ENCOUNTER DIFFICULTY
 AVERAGE
 ABOVE AVERAGE
 SUPERIOR

6-6 SPECIFIC RECOMMENDATION: Based on your knowledge, how do you recommend this student?

- PREFER NOT TO MAKE A RECOMMENDATION
 NOT RECOMMENDED FOR COLLEGE OR AIR FORCE OFFICER TRAINING
 RECOMMENDED

6-7 EVALUATING OFFICIAL

NAME AND TITLE	SIGNATURE
NAME OF HIGH SCHOOL	NUMBER STREET CITY STATE AND ZIP CODE

6-8 JUNIOR ROTC INSTRUCTOR EVALUATION: Does the school have Junior ROTC? YES NO

CURRENTLY ENROLLED IN JROTC? <input type="checkbox"/> YES <input type="checkbox"/> NO	JROTC PROGRAM <input type="checkbox"/> AIR FORCE <input type="checkbox"/> ARMY <input type="checkbox"/> NAVY <input type="checkbox"/> MARINES	JROTC UNIT DESIGNATION	YEARS PARTICIPATED <input type="checkbox"/> 9 <input type="checkbox"/> 10 <input type="checkbox"/> 11 <input type="checkbox"/> 12
---	---	------------------------	--

Comments by the Junior ROTC instructor pertaining to the student's performance and suitability for military service as an Air Force officer. List awards received and corps positions held. If your personal knowledge of the student is limited, please state so. Attach a separate sheet if necessary.

NAME OF INSTRUCTOR (Please Print)	SIGNATURE	DATE
-----------------------------------	-----------	------

FOR A FASTER RESPONSE, SUBMIT THIS ENTIRE PACKAGE, HIGH SCHOOL TRANSCRIPT, AND ACT/SAT SCORE REPORTS IN THE SAME ENVELOPE TO THE AFROTC FOUR-YEAR SCHOLARSHIP BRANCH.

MAIL TO: AFROTC/FOUR-YEAR SCHOLARSHIP BRANCH
 MAXWELL AFB AL 36112-6663

STANDARDS FILE

- Minimum for nominee status without waiver
 - 2.5 GPA
 - In 25% of class or above 70 percentile
 - College Entrance Examination Board (CEEB)
 - SAT: 1000 total, 500 Math, 450 verbal
 - ACT: 23 composite, 20 Math, 19 English
- Waiver Matrix
 - GPA above 2.0
 - 65 percentile
 - Min. 1100 SAT total, 520 Math, 510 verbal
 - Min. 25 ACT composite, 21 Math, 20 English
 - 60 percentile
 - Min. 1200 SAT total, 540 Math, 520 verbal
 - Min. 27 ACT composite, 23 Math, 21 English
 - 55 percentile
 - Min. 1300 SAT total, 560 Math, 540 verbal
 - Min. 29 ACT composite, 25 Math, 23 English
 - 50 percentile
 - Min. 1365 SAT total, 600 Math, 560 verbal
 - Min. 29 ACT composite, 27 Math, 25 English
 - Below 50 percentile---EOI record
 - Meeting matrix minimums "W" added to DIN 153
 - EOI code manually removed after record reviewed and W keyed to DIN 153
- Minimum DODMERB requirements
 - Nominee (N) status
 - 1100 CEEB or other than "C" in DIN 11

- Update to DODMERB
 - Send applicant information for all T & L statuses if DIN 124 blank
 - Send "W" in position 68 if applicant goes "D" status and DIN 124 not blank
 - Send "X" in position 69 if "T" or "Q" status and DIN 124 not blank
 - Send "L" in position 69 if "C" or "U" status and DIN 124 not blank
 - Send ";" in position 68 if goes to any status from "D" status and DIN 124 not blank
- Cadet Profile Score for Academic _____, Extracurricular _____, Leadership _____, Evaluation _____, and Bonus _____
- Cadet Profile Score total cutoff _____ (DIN 108)
- DIN 143 blank and T, L, Q, or U status
 - 28 April - no Letter of Admission on file---postcard generated
 - 15 May - Second postcard
 - 15 June - Change to "D" status
- "I" status
 - 1 Jan - Generate incomplete information postcard
 - 20 Jan - Repeat incomplete information postcard
 - 15 Feb - Change to "D" status
- Minimum Date of Birth MM DD YY (DIN 10)
- Maximum Date of Birth MM DD YY (DIN 10)
- Maximum Graduation Date 09 YY compare to DIN 21
- Interview request date
 - Plus 36 days * added to date on Adm In. Unit Act. Roster
 - Plus 41 days * added to overdue column of Interview Status Report
- Duplicate or Repetitive Postcards
 - Plus 21 day repeat postcard if criteria still exist and count off notifications

**ADMINISTRATIVE UNIT ACTION ROSTER
(REFERENCE AFROTCR 45-10 CHAP.4)**

DATE PREP: 6 MAY 86

***INDICATES OVERDUE**

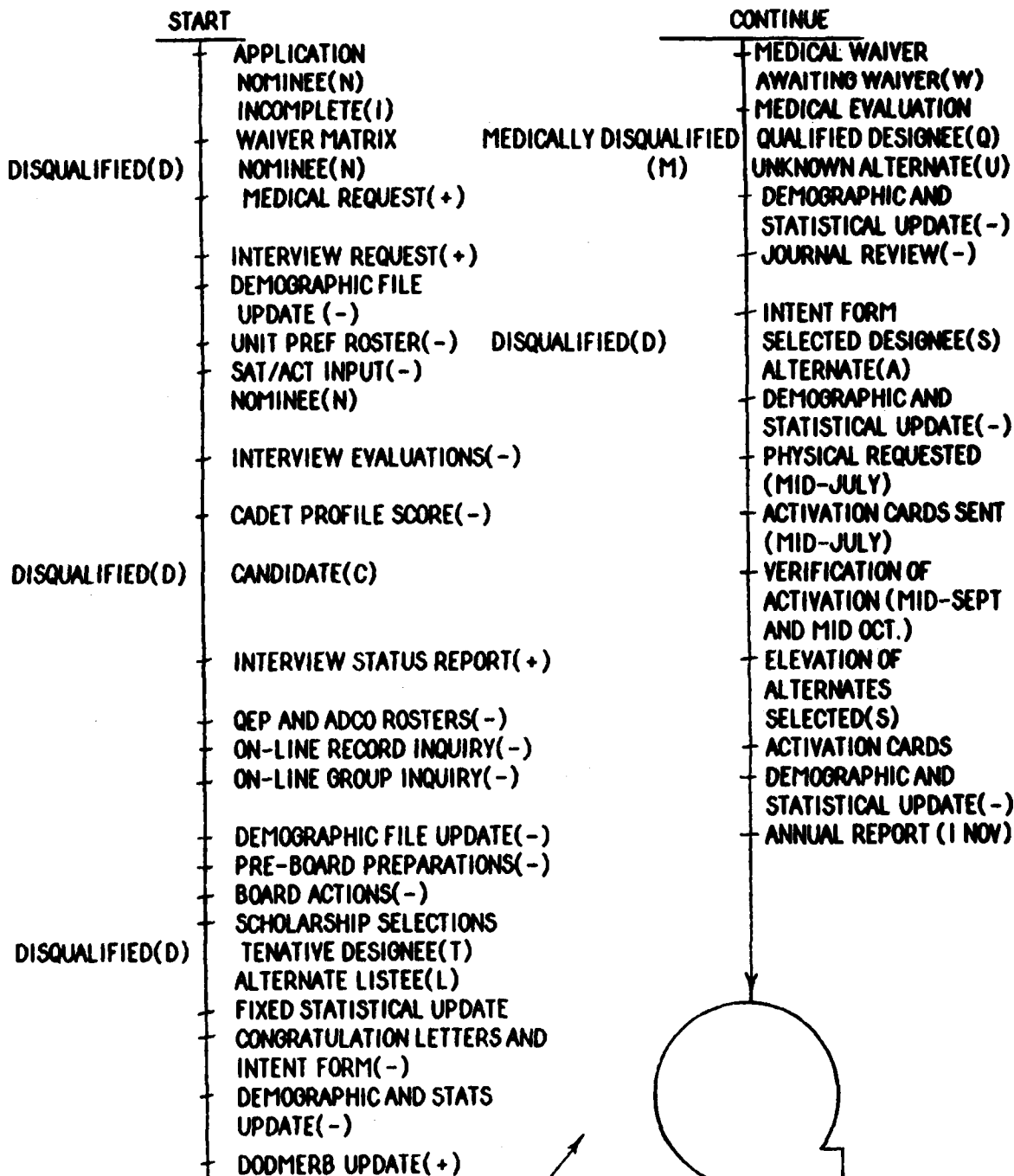
TITLE LINE: SSAN	NAME	ADDRESS	CITY	ST	ZIP
LINE 1 :123456789	--EDWARDS CHARLES M--	410 GASKELL DR--	ALBUQUERQUE--NM	871106112	
(DIN/NO.POS.): (2/9)	(3/27)	(4/26)	(5/15)	(6/2)	(7/9)

TITLE LINE: DATE REQ---DATE APP. CONTACTED---DATE INTVIEWED---DATE MAILED
LINE 1 CONT:
(DIN/NO.POS.):

LINE 2 : RILE: 99.9--CEEB: 1470--PREF: 4IYY--ZIP: 871106112--PH: 505-745-2515
(DIN/NO.POS.): (38/4) (27/4) (33/4) (7/9) (8/12)

NOTE: CUMULATIVE ROSTER SORT BY REQUEST DATE THEN BY ALPHA. PRINTED ON LARGE COMPUTER PAPER, SINGLE SPACE BETWEEN LINES, DOUBLE SPACE BETWEEN INDIVIDUALS; TITLE LINE IS PRINTED ONCE AT TOP OF PAGE; *INTERVIEW OVERDUE---IF 36 DAYS HAS ELAPSED BETWEEN DATE REQUESTED AND DATE PREPARED.

SCHOLARSHIP CYCLE



**HISTORIC
FILE**

CODE
 (+) WEEKLY REQUIREMENT
 (-) AS NEEDED REQUIREMENT
 (LETTER) STATUS CODE

COMPUTER GENERATED POSTCARD

**AFROTC/4-YEAR SCHOLARSHIP BRANCH
MAXWELL AFB AL 36112-6663**

**OFFICIAL BUSINESS
PENALTY FOR PRIVATE USE \$300**

**NAME (DIN 3)
ADDRESS (DIN 4)
CITY, STATE, ZIP (DINS 5, 6, 7)**

**AFROTC FORM 87
JUN 88**

DATE: DATE PRINTED

FRONT

(SEE ATCH CRITERIA AND STATEMENTS)

**For questions relating to the processing of your application, please call (205) 293-7783 from
7:30 a.m. to 4:30 p.m. central time or write to AFROTC/RRUF, Maxwell AFB, AL 36112-6663.**

REVERSE

FYSP COMPUTER-GENERATED POSTCARDS

NOMINEE CARD: If DIN 1 equals N and DIN 110 equals blank, generate a postcard with the following information: Congratulations, you've met the qualifications for AFROTC scholarship consideration. Please contact the AFROTC unit at (NAME OF ADMIN. UNIT) as soon as possible to schedule your scholarship interview. Good Luck!

CANDIDATE CARD: If DIN 1 equals C, DIN 110 is not blank and DIN 105 is above the minimum qualifying score, generate a postcard with the following: Your AFROTC scholarship interview has been received and processed. You will meet the next scholarship selection board. Please reference the package that accompanied your application for announcement dates. Good Luck!

INCOMPLETE NOTIFICATION CARD: This card will inform applicants they are missing information. It will have a general statement and one or more of listed specific statements. The card will state: Your AFROTC scholarship application data is incomplete. For us to continue to consider you, you must forward:

- An Official High School Transcript complete through the 11th grade to AFROTC/RRUF by January 1. (This statement will be generated if DIN 1 equals to I and DIN 42 equals to N.)
- Your intent form, along with a letter of admission to a college or university affiliated with AFROTC must be received by May 31. (This statement will be generated if DIN 1 equals T, L, Q or U and DIN 135 is blank.)
- We received only part of your application. Another application is being sent to you under separate cover. Please complete and return by December 1. Thank You! (This statement will be generated if DIN 1 equals to I and DIN 147 equals 4.)
- A record copy of your college entrance examination scores (SAT or ACT) taken not later than December 31. This information must reach AFROTC/RRUF before February 1. (This statement will be generated if DIN 1 equals to I and DIN 26, 27, 28, or 29 equal blank.)
- Your first and second academic major choices by January 1. The only options offered are those listed in the information that accompanied your application. (This statement will be generated if DIN 1 equals I and DIN 35 or 36 equal blank.)

DISQUALIFICATION CARD: This card will inform applicants they have been disqualified. It will have a general statement and one or more of the listed specific statements. The card will state: After careful review of your application and the associated documentation, you are being released from further consideration for the following reasons:

- GPA or class standing below minimum qualifications. (This statement will be generated if DIN 1 equals D and E01 is in DINs 140, 141, 142, 143, or 144.)
- SAT/ACT composite, and/or math, and/or verbal score(s) are below minimum qualifications. Tests retaken prior to December 31 and received prior to February 1 will allow you to be reconsidered. (This statement will be generated if DIN 1 equals D and F04 and/or F05 is in DINs 140, 141, 142, 143, or 144.)
- Although part of your application was received, it was incomplete as of this date and will not be considered. (This statement will be generated when DIN 1 equals D and K01 is in DINs 140, 141, 142, 143, or 144.)
- Your record, which clearly singles you out as one of the country's finest, was not competitive for a Four-Year Scholarship when compared with the other applicants. We would hope you would continue your efforts toward a commission in the United States Air Force by joining AFROTC as a non-scholarship candidate and competing for one our many scholarships for less than four years in duration. (This statement will be generated if DIN 1 equals D and G01 is in DINs 140, 141, 142, 143, or 144.)
- You failed to complete your personal interview. (This statement will be generated if DIN 1 equals D and L01 is in DINs 140, 141, 142, 143, or 144.)
- Your application will not be considered since it was postmarked after the deadline of December 1. (This statement will be generated if DIN 1 equals D and K02 is in DINs 140, 141, 142, 143, or 144.)

- You accepted an alternate program or personally withdrew. (This statement will be generated if DIN 1 equals D and H begins the disqualification code found in DINs 140, 141, 142, 143, or 144.)

ACTIVATION CARD: This card will inform the gaining unit (DIN 135 and AFROTC Affiliate Table) that the identified applicant has been awarded an AFROTC Four-Year Scholarship in the identified academic specialty. The card will state:

(SELECTEE'S NAME (DIN 3)) SSAN: (SELECTEE'S SSAN (DIN 2)) is awarded an AFROTC Four-Year Scholarship in (DIN 134). DODMERB has been notified to send the selectee's certified physical to you. Upon receiving the certified physical you may activate this scholarship. (This statement will be generated if DIN 1 equals S and Recipient Alpha Roster has been requested.)

**INTERVIEW STATUS REPORT
PW AREA**

DATE PREP: 6 MAY 66

**TITLE LINE: UNIT--NO. REQUESTED--NO. COMPLETE--NO. OVERDUE--
LINE 1 : 250 23 15 1**

**TITLE LINE CONT.: OVERALL RATING/%-----5-----4-----3-----2-----1
LINE 1 CONT.: 10/66% % 5/33% % %**

**NOTE: UNITS LISTED IN NUMERICAL ORDER
- TITLE LINE PRINT ONLY AT TOP OF PAGE
- SINGLE SPACE SO ALL 30 UNITS CAN BE LISTED ON ONE PAGE**

APR 1970 1 YEAR SCHOLARSHIP PROGRAM
ATTACHMENT TABLE REPORT BY ZIP CODES
CONUS ZIP CODES

ZIP CODE (151 3)	DETACHMENT	AREA
001	AAAA	NE04
002		SE03
003		NE04
004		SE03
005		
006	755	D775
007	756	D776
008	755	D775
009	755	D775
010	370	NE02
011	370	NE02
012	370	NE02
013	370	NE02
014	370	NE02
015	340	NE02
016	340	NE02
017	340	NE02
018	345	NE03
019	355	NE03
020	365	NE03
021	365	NE03
022	365	NE03
023	355	NE03
024	355	NE03
025	355	NE03
026	355	NE03
027	355	NE03
028	340	NE02
029	340	NE02
030	345	NE03
031	345	NE03
032	475	NE03
033	475	NE03
034	475	NE03
035	475	NE03
036	475	NE03
037	475	NE03
038	475	NE03
039	475	NE03
040	475	NE03

APR 1970 1 YEAR SCHOLARSHIP PROGRAM
ATTACHMENT TABLE REPORT BY ZIP CODES
CONUS ZIP CODES

ZIP CODE (151 3)	DETACHMENT	AREA
041	475	NE03
042	475	NE03
043	326	NE03
044	326	NE03
045	326	NE03
046	326	NE03
047	326	NE03
048	326	NE03
049	326	NE03
050	867	NE02
051	867	NE02
052	867	NE02
053	867	NE02
054	865	NE02
055	865	NE02
056	867	NE02
057	865	NE02
058	867	NE02
059	867	NE02
060	115	NE02
061	115	NE02
062	115	NE02
063	115	NE02
064	115	NE02
065	115	NE02
066	115	NE02
067	115	NE02
068	115	NE02
069	115	NE02
070	490	NE05
071	490	NE05
072	485	NE05
073	490	NE05
074	490	NE05
075	490	NE05
076	490	NE05
077	485	NE05
078	490	NE05
079	485	NE05
080	750	NE05

AFRICAN FOUR YEAR SCHOLARSHIP PROGRAM
DETACHMENT TABLE REPORT BY ZIP CODES
CUNUS ZIP CODES

ZIP CODE (1ST 3)	DETACHMENT	AREA
081	750	NE05
082	128	NE05
083	128	NE05
084	750	NE05
085	485	NE05
086	485	NE05
087	485	NE05
088	485	NE05
089	485	NE05
090	560	NE04
091	560	NE04
092	560	NE04
093	560	NE04
094	560	NE04
095	560	NE04
096	560	NE04
097	560	NE04
098	560	NE04
099	560	NE04
100	560	NE04
101	560	NE04
102	560	NE04
103	560	NE04
104	560	NE04
105	560	NE04
106	560	NE04
107	560	NE04
108	560	NE04
109	560	NE04
110	560	NE04
111	560	NE04
112	560	NE04
113	560	NE04
114	560	NE04
115	560	NE04
116	560	NE04
117	560	NE04
118	560	NE04
119	560	NE04
120	560	NE07
121	560	NE07
122	560	NE07
123	560	NE07
124	560	NE07
125	560	NE04
126	560	NE04
127	560	NE04
128	560	NE07
129	536	NE07

AFRICAN FOUR YEAR SCHOLARSHIP PROGRAM
DETACHMENT TABLE REPORT BY ZIP CODES
CUNUS ZIP CODES

ZIP CODE (1ST 3)	DETACHMENT	AREA
130	535	NE07
131	535	NE07
132	535	NE07
133	535	NE07
134	535	NE07
135	535	NE07
136	536	NE07
137	520	NE07
138	520	NE07
139	520	NE07
140	535B	NE07
141	535B	NE07
142	535B	NE07
143	535B	NE07
144	535B	NE07
145	535B	NE07
146	535B	NE07
147	535B	NE07
148	520	NE07
149	520	NE07
150	730	NE10
151	730	NE10
152	730	NE10
153	730	NE10
154	730	NE10
155	730	NE10
156	730	NE10
157	730	NE10
158	730	NE10
159	730	NE10
160	745	NE10
161	745	NE10
162	745	NE10
163	745	NE10
164	745	NE10
165	745	NE10
166	730	NE10
167	745	NE10
168	720	NE01
169	720	NE01

ARMED FOUR YEAR SCHOLARSHIP PROGRAM
DETACHMENT TABLE REPORT BY ZIP CODES
CUNY ZIP CODES

ARMED FOUR YEAR SCHOLARSHIP PROGRAM
DETACHMENT TABLE REPORT BY ZIP CODES
CUNY ZIP CODES

ZIP CODE (151-5)	DETACHMENT	AREA	ZIP CODE (151-5)	DETACHMENT	AREA
170	750	NE01	211	330	NE09
171	750	NE01	211	330	NE09
172	750	NE01	212	330	1009
173	715	NE01	213	330	NE09
174	715	NE01	214	330	1009
175	715	NE01	215	330	1009
176	720	NE01	216	330	NE09
177	752	NE01	217	330	1009
178	752	NE01	218	330	NE09
179	752	NE01	219	330	NE09
180	715	NE01	220	130	NE09
181	715	NE01	221	130	NE09
182	752	NE01	222	130	1009
183	752	NE01	223	130	1009
184	752	NE01	224	890	NE06
185	752	NE01	225	890	NE06
186	752	NE01	226	880	NE06
187	752	NE01	227	880	NE06
188	752	NE01	228	880	NE06
189	750	NE01	229	890	NE06
190	750	NE01	230	890	NE06
191	750	NE01	231	890	NE06
192	750	NE01	232	890	NE06
193	750	NE01	233	890	NE06
194	715	NE01	234	890	NE06
195	715	NE01	235	890	NE06
196	126	NE05	236	890	NE06
197	126	NE05	237	890	NE06
198	126	NE05	238	890	NE06
199	126	NE05	239	890	NE06
200	130	NE09	240	890	NE06
201	330	NE09	241	890	NE06
202	130	NE09	242	890	NE06
203	130	NE09	243	890	NE06
204	130	NE09	244	890	NE06
205	130	NE09	245	890	NE06
206	330	NE09	246	890	NE06
207	330	NE09	247	890	NE06
208	330	NE09	248	890	NE06
209	330	NE09	249	890	NE06

27-3

AFRIC FOUR YEAR SCHOLARSHIP PROGRAM
DETACHMENT TABLE REPORT BY ZIP CODES
CURUS ZIP CODES

AFRIC FOUR YEAR SCHOLARSHIP PROGRAM
DETACHMENT TABLE REPORT BY ZIP CODES
CUNUS ZIP CODES

ZIP CODE (1st 3)	DETACHMENT	AREA	ZIP CODE (1st 3)	DETACHMENT	AREA
230	915	UV01	230	775	SE06
231	915	UV01	231	775	SE04
232	915	UV01	232	775	SE06
233	915	UV01	233	770	SE06
234	915	UV01	234	745	SE06
235	915	UV01	235	775	SE06
236	915	UV01	236	770	SE06
237	915	UV01	237	775	SE06
238	915	UV01	238	775	SE06
239	915	UV01	239	765	SE06
240	915	UV01	240	165	SE02
241	915	UV01	241	165	SE02
242	915	UV01	242	165	SE02
243	915	UV01	243	165	SE02
244	915	UV01	244	160	SE02
245	915	UV01	245	160	SE02
246	915	UV01	246	160	SE02
247	915	UV01	247	160	SE02
248	915	UV01	248	160	SE02
249	915	UV01	249	160	SE02
250	915	UV01	250	160	SE02
251	915	UV01	251	160	SE02
252	915	UV01	252	160	SE02
253	915	UV01	253	160	SE02
254	915	UV01	254	160	SE02
255	915	UV01	255	160	SE02
256	915	UV01	256	160	SE02
257	915	UV01	257	160	SE02
258	915	UV01	258	160	SE02
259	915	UV01	259	160	SE02
260	915	UV01	260	160	SE02
261	915	UV01	261	160	SE02
262	915	UV01	262	160	SE02
263	915	UV01	263	160	SE02
264	915	UV01	264	160	SE02
265	915	UV01	265	160	SE02
266	915	UV01	266	160	SE02
267	915	UV01	267	160	SE02
268	915	UV01	268	160	SE02
269	915	UV01	269	160	SE02
270	605	SE04	270	165	SE02
271	605	SE04	271	165	SE02
272	605	SE04	272	165	SE02
273	605	SE04	273	172	SE02
274	605	SE04	274	172	SE02
275	595	SE04	275	172	SE02
276	595	SE04	276	172	SE02
277	585	SE04	277	172	SE02
278	600	SE04	278	172	SE02
279	600	SE04	279	172	SE02
280	590A	SE04	280	157	SE03
281	590A	SE04	281	157	SE03
282	590A	SE04	282	150	SE03
283	607	SE04	283	145	SE03
284	607	SE04	284	145	SE03
285	600	SE04	285	145	SE03
286	590A	SE04	286	150	SE03
287	590A	SE04	287	159	SE03
288	590A	SE04	288	159	SE03
289	590A	SE04	289	159	SE03

27-4

AFRUC FOUR YEAR SCHOLARSHIP PROGRAM
DETACHMENT TABLE REPORT BY ZIP CODES
COUNS ZIP CODES

AFRUC FOUR YEAR SCHOLARSHIP PROGRAM
DETACHMENT TABLE REPORT BY ZIP CODES
COUNS ZIP CODES

ZIP CODE (1ST 5)	DETACHMENT	AREA	ZIP CODE (1ST 5)	DETACHMENT	AREA
350	155	SE03	370	790	UV04
351	155	SE03	371	790	UV04
352	155	SE03	372	790	UV04
353	155	SE03	373	800	UV04
354	155	SE03	374	800	UV04
355	158	SE03	375	800	UV04
356	158	SE03	376	800	UV04
357	158	SE03	377	800	UV04
358	158	SE03	378	800	UV04
359	158	SE03	379	800	UV04
360	AAAA	SE03	380	785	UV04
361			381	775	UV04
362	158	SE03	382	725	UV04
363			383	745	UV04
364			384	790	UV04
365			385	790	UV04
366			386	430	SE05
367			387	430	SE05
368			388	425	SE05
369			389	425	SE05
370			390	425	SE05
371			391	425	SE05
372			392	425	SE05
373			393	432	SE05
374			394	432	SE05
375			395	432	SE05
376			396	432	SE05
377			397	425	SE05
378			398	425	SE05
379			399	425	SE05
380			400	295	UV05
381			401	295	UV05
382			402	295	UV05
383			403	290	UV05
384			404	290	UV05
385			405	290	UV05
386			406	290	UV05
387			407	290	UV05
388			408	290	UV05
389			409	290	UV05

27-5

AFRIC FOUR YEAR SCHOLARSHIP PROGRAM
DETACHMENT TABLE REPORT BY ZIP CODES
CUNUS ZIP CODES

AFRIC FOUR YEAR SCHOLARSHIP PROGRAM
DETACHMENT TABLE REPORT BY ZIP CODES
CUNUS ZIP CODES

ZIP CODE (LIST 3)	DETACHMENT	AREA	ZIP CODE (LIST 3)	DETACHMENT	AREA
490		CV03	530	925	OV07
491		OV03	531	925	OV07
492		LV03	532	925	OV07
493		OV03	533		OV07
494		OV03	534		OV07
495		OV03	535		OV07
496		OV03	536		OV07
497		OV03	537		OV07
498		OV03	538		OV07
499		OV03	539		OV07
500		MW01	540	410	MW01
501		MW01	541	925	OV07
502		MW01	542	925	OV07
503		MW01	543	925	OV07
504		MW01	544	925	OV07
505		MW01	545	925	OV07
506		MW01	546	925	OV07
507		MW01	547	410	MW01
508		MW01	548	925	OV07
509		MW01	549	925	OV07
510		MW01	550	410	MW02
511		MW01	551	410	MW02
512		MW02	552		OV07
513		MW02	553		OV07
514		MW01	554	415	MW02
515		MW01	555	415	MW02
516		MW01	556	420	MW02
517		MW01	557	420	MW02
518		MW01	558	420	MW02
519		MW01	559	415	MW02
520		MW01	560	415	MW02
521		MW01	561	780	MW02
522		MW01	562	780	MW02
523		MW01	563	415	MW02
524		MW01	564	420	MW02
525		MW01	565	610	MW02
526		MW01	566	610	MW02
527		MW01	567	610	MW02
528		MW01	568	610	MW02
529		OV07	569	610	MW02

27-7

AFMJC FOUR YEAR SCHOLARSHIP PROGRAM
DETACHMENT TABLE REPORT BY ZIP CODES
CONUS ZIP CODES

ZIP CODE (1ST 3)	DETACHMENT	AREA
570	780	MW02
571	780	MW02
572	780	MW02
573	780	MW02
574	780	MW02
575	780	MW02
576	780	MW02
577	780	MW02
578	760	MW02
579	780	MW02
580	610	MW02
581	610	MW02
582	610	MW02
583	610	MW02
584	610	MW02
585	610	MW02
586	610	MW02
587	610	MW02
588	610	MW02
589	610	MW02
590	450	WE08
591	450	WE08
592	450	WE08
593	450	WE08
594	450	WE08
595	450	WE08
596	450	WE08
597	450	WE08
598	450	WE08
599	450	WE08
600	195	UV08
601	195	UV08
602	195	UV08
603	195	UV08
604	195	UV08
605	195	UV08
606	195	UV08
607	195	UV08
608	195	UV08
609	195	UV08

27-8

PERIODIC FOUR YEAR SCHOLARSHIP PROGRAM
DETACHMENT TABLE REPORT BY ZIP CODES
CUNUS ZIP CODES

ZIP CODE (LIST 5)	DETACHMENT	AREA
611	195	UV06
611	195	UV0A
612	195	CV0A
613	190	UV06
613	190	UV0E
613	190	UV0A
616	190	UV06
617	190	UV0E
618	190	CV0A
619	190	CV0B
620	206	UV06
641	206	UV0A
642	207	UV06
643	206	UV06
644	206	UV0B
645	206	UV06
646	205	CV0A
647	205	UV06
648	207	UV06
649	207	UV06
650	207	UV06
651	207	UV06
652	207	UV06
653	207	UV06
654	207	UV06
655	207	UV06
656	207	UV06
657	207	UV06
658	207	UV06
659	207	UV06
660	207	UV06
661	207	UV06
662	207	UV06
663	207	UV06
664	207	UV06
665	207	UV06
666	207	UV06
667	207	UV06
668	207	UV06
669	207	UV06
670	207	UV06
671	207	UV06
672	207	UV06
673	207	UV06
674	207	UV06
675	207	UV06
676	207	UV06
677	207	UV06
678	207	UV06
679	207	UV06
680	207	UV06
681	207	UV06
682	207	UV06
683	207	UV06
684	207	UV06
685	207	UV06
686	207	UV06
687	207	UV06
688	207	UV06
689	207	UV06
690	207	UV06
691	207	UV06
692	207	UV06
693	207	UV06
694	207	UV06
695	207	UV06
696	207	UV06
697	207	UV06
698	207	UV06
699	207	UV06
700	207	UV06
701	207	UV06
702	207	UV06
703	207	UV06
704	207	UV06
705	207	UV06
706	207	UV06
707	207	UV06
708	207	UV06
709	207	UV06
710	207	UV06
711	207	UV06
712	207	UV06
713	207	UV06
714	207	UV06
715	207	UV06
716	207	UV06
717	207	UV06
718	207	UV06
719	207	UV06
720	207	UV06
721	207	UV06
722	207	UV06
723	207	UV06
724	207	UV06
725	207	UV06
726	207	UV06
727	207	UV06
728	207	UV06
729	207	UV06
730	207	UV06
731	207	UV06
732	207	UV06
733	207	UV06
734	207	UV06
735	207	UV06
736	207	UV06
737	207	UV06
738	207	UV06
739	207	UV06
740	207	UV06
741	207	UV06
742	207	UV06
743	207	UV06
744	207	UV06
745	207	UV06
746	207	UV06
747	207	UV06
748	207	UV06
749	207	UV06
750	207	UV06
751	207	UV06
752	207	UV06
753	207	UV06
754	207	UV06
755	207	UV06
756	207	UV06
757	207	UV06
758	207	UV06
759	207	UV06
760	207	UV06
761	207	UV06
762	207	UV06
763	207	UV06
764	207	UV06
765	207	UV06
766	207	UV06
767	207	UV06
768	207	UV06
769	207	UV06
770	207	UV06
771	207	UV06
772	207	UV06
773	207	UV06
774	207	UV06
775	207	UV06
776	207	UV06
777	207	UV06
778	207	UV06
779	207	UV06
780	207	UV06
781	207	UV06
782	207	UV06
783	207	UV06
784	207	UV06
785	207	UV06
786	207	UV06
787	207	UV06
788	207	UV06
789	207	UV06
790	207	UV06
791	207	UV06
792	207	UV06
793	207	UV06
794	207	UV06
795	207	UV06
796	207	UV06
797	207	UV06
798	207	UV06
799	207	UV06
800	207	UV06

Handwritten notes:
 206
 62285
 67
 58
 34
 44
 65
 62260
 21
 23
 30
 48
 62280

27-9

AFRIC FOUR YEAR SCHOLARSHIP PROGRAM
DETACHMENT TABLE REPORT BY ZIP CODES
CONUS ZIP CODES

ZIP CODE (1ST 3)	DETACHMENT	AREA
630	440	MW04
631	442	MW04
640	440	MW04
653	440	MW04
654	442	MW04
655	442	MW04
656	442	MW04
657	442	MW04
658	442	MW04
659		GD00
660	280	MW04
661	280	MW04
662	280	MW04
663	280	MW04
664	280	MW04
665	280	MW04
666	280	MW04
667	280	MW04
668	280	MW04
669	270	MW04
670	270	MW04
671	270	MW04
672	270	MW04
673	280	MW04
674	270	MW04
675	270	MW04
676	270	MW04
677	090	MW04
678	100	MW04
679	105	MW04
680	470	MW01
681	470	MW01
682	570	MW01
683	465	MW01
684	465	MW01
685	465	MW01
686	470	MW01
687	470	MW01
688	465	MW01
689	465	MW01

27-10

AFRIC FOUR YEAR SCHOLARSHIP PROGRAM
DETACHMENT TABLE REPORT BY ZIP CODES
CONUS ZIP CODES

ZIP CODE (1ST 3)	DETACHMENT	AREA
690	465	MW01
691	440	MW01
692	440	MW01
693	440	MW01
694	440	MW01
695	440	MW01
696	440	MW01
697	440	MW01
698	440	MW01
699	440	MW01
700	320	MW03
701	320	MW03
702	320	MW03
703	310	MW03
704	320	MW03
705	315	MW03
706	315	MW03
707	310	MW03
708	310	MW03
709	310	MW03
710	305	MW03
711	305	MW03
712	305	MW03
713	305	MW03
714	305	MW03
715	305	MW03
716	305	MW03
717	305	MW03
718	305	MW03
719	330	MW07
720	330	MW07
721	330	MW07
722	330	MW07
723	330	MW07
724	330	MW07
725	330	MW07
726	330	MW07
727	330	MW07
728	330	MW07
729	330	MW07

AFRJTIC FOUR YEAR SCHOLARSHIP PROGRAM
DETACHMENT TABLE REPORT BY ZIP CODES
CUNOS ZIP CODES

AFRJTIC FOUR YEAR SCHOLARSHIP PROGRAM
DETACHMENT TABLE REPORT BY ZIP CODES
CUNOS ZIP CODES

ZIP CODE (151 5)	DETACHMENT	AREA	ZIP CODE (151 5)	DETACHMENT	AREA
730	675	MP07	771	805	PK06
731	675	MP07	771	805	PK06
732	675	MP07	772	805	PK06
733	675	MP07	775	805	PK06
734	335	MP05	775	805	PK06
735	675	MP07	777	805	PK06
736	675	MP07	778	805	PK06
737	670	MP07	779	840A	PK06
738	675	MP07	780	840A	PK06
739	675	MP07	781	840A	PK06
740	670	MP07	782	840A	PK06
741	670	MP07	783	840A	PK06
742	670	MP07	784	840A	PK06
743	670	MP07	785	840A	PK06
744	670	MP07	786	840A	PK06
745	670	MP07	787	840A	PK06
746	670	MP07	788	840A	PK06
747	630	MP05	789	840A	PK06
748	675	MP07	790	840A	PK06
749	630	MP07	791	840A	PK06
750	635	MP05	792	840A	PK06
751	645	MP05	793	840A	PK06
752	635	MP05	794	840A	PK06
753	635	MP05	795	840A	PK06
754	630	MP05	796	840A	PK06
755	630	MP05	797	840A	PK06
756	645	MP05	798	840A	PK06
757	645	MP05	799	840A	PK06
758	610	MP05	800	840A	PK06
759	605	MP06	801	840A	PK06
760	645	MP05	802	840A	PK06
761	645	MP05	803	840A	PK06
762	635	MP05	804	840A	PK06
763	635	MP05	805	840A	PK06
764	645	MP05	806	840A	PK06
765	610	MP05	807	840A	PK06
766	610	MP05	808	840A	PK06
767	610	MP05	809	840A	PK06
768	647	MP06	810	840A	PK06
769	647	MP06	811	840A	PK06

27-11

315
315
315

2001 FOUR YEAR SCHOLARSHIP PROGRAM
DETACHMENT TABLE REPORT BY ZIP CODES
CURS ZIP CODES

2001 FOUR YEAR SCHOLARSHIP PROGRAM
DETACHMENT TABLE REPORT BY ZIP CODES
CURS ZIP CODES

ZIP CODE (151 5)	DETACHMENT	AREA	ZIP CODE (151 5)	DETACHMENT	AREA
810	105	WE06	820	020	WE02
811	105	WE06	821	020	WE02
812	105	WE06	822	020	WE02
813	105	WE06	823	020	WE02
814	105	WE06	824	020	WE02
815	105	WE06	825	020	WE02
816	105	WE06	826	020	WE02
817	105	WE06	827	020	WE02
818	105	WE06	828	020	WE02
819	105	WE06	829	020	WE02
820	105	WE06	830	020	WE02
821	105	WE06	831	020	WE02
822	105	WE06	832	020	WE02
823	105	WE06	833	020	WE02
824	105	WE06	834	020	WE02
825	105	WE06	835	020	WE02
826	105	WE06	836	020	WE02
827	105	WE06	837	020	WE02
828	105	WE06	838	020	WE02
829	105	WE06	839	020	WE02
830	105	WE06	840	020	WE02
831	105	WE06	841	020	WE02
832	105	WE06	842	020	WE02
833	105	WE06	843	020	WE02
834	105	WE06	844	020	WE02
835	105	WE06	845	020	WE02
836	105	WE06	846	020	WE02
837	105	WE06	847	020	WE02
838	105	WE06	848	020	WE02
839	105	WE06	849	020	WE02
840	105	WE06	850	020	WE02
841	105	WE06	851	020	WE02
842	105	WE06	852	020	WE02
843	105	WE06	853	020	WE02
844	105	WE06	854	020	WE02
845	105	WE06	855	020	WE02
846	105	WE06	856	020	WE02
847	105	WE06	857	020	WE02
848	105	WE06	858	020	WE02
849	105	WE06	859	020	WE02
850	105	WE06	860	020	WE02
851	105	WE06	861	020	WE02
852	105	WE06	862	020	WE02
853	105	WE06	863	020	WE02
854	105	WE06	864	020	WE02
855	105	WE06	865	020	WE02
856	105	WE06	866	020	WE02
857	105	WE06	867	020	WE02
858	105	WE06	868	020	WE02
859	105	WE06	869	020	WE02
860	105	WE06	870	020	WE02
861	105	WE06	871	020	WE02
862	105	WE06	872	020	WE02
863	105	WE06	873	020	WE02
864	105	WE06	874	020	WE02
865	105	WE06	875	020	WE02
866	105	WE06	876	020	WE02
867	105	WE06	877	020	WE02
868	105	WE06	878	020	WE02
869	105	WE06	879	020	WE02
870	105	WE06	880	020	WE02
871	105	WE06	881	020	WE02
872	105	WE06	882	020	WE02
873	105	WE06	883	020	WE02
874	105	WE06	884	020	WE02
875	105	WE06	885	020	WE02
876	105	WE06	886	020	WE02
877	105	WE06	887	020	WE02
878	105	WE06	888	020	WE02
879	105	WE06	889	020	WE02
880	105	WE06	890	020	WE02
881	105	WE06	891	020	WE02
882	105	WE06	892	020	WE02
883	105	WE06	893	020	WE02
884	105	WE06	894	020	WE02
885	105	WE06	895	020	WE02
886	105	WE06	896	020	WE02
887	105	WE06	897	020	WE02
888	105	WE06	898	020	WE02
889	105	WE06	899	020	WE02
890	105	WE06	900	020	WE02

27-12

AFRIC FOUR YEAR SCHOLARSHIP PROGRAM
DETACHMENT TABLE REPORT BY ZIP CODES
CROSS ZIP CODES

ZIP CODE (151-5)	DETACHMENT	AREA
020	027	ME07
021	027	ME07
022	027	ME07
023	028	ME01
024	028	ME04
025	028	ME04
026	028	ME04
027	028	ME04
028	028	ME04
029	028	ME04
030	028	ME04
031	028	ME03
032	028	ME03
033	028	ME03
034	028	ME03
035	028	ME03
036	028	ME03
037	028	ME03
038	028	ME03
039	028	ME03
040	028	ME03
041	028	ME03
042	028	ME03
043	028	ME03
044	028	ME03
045	028	ME03
046	028	ME03
047	028	ME03
048	028	ME03
049	028	ME03
050	028	ME03
051	028	ME03
052	028	ME03
053	028	ME03
054	028	ME03
055	028	ME03
056	028	ME03
057	028	ME03
058	028	ME03
059	028	ME03
060	028	ME03
061	028	ME03
062	028	ME03
063	028	ME03
064	028	ME03
065	028	ME03
066	028	ME03
067	028	ME03
068	028	ME03
069	028	ME03
070	028	ME03
071	028	ME03
072	028	ME03
073	028	ME03
074	028	ME03
075	028	ME03
076	028	ME03
077	028	ME03
078	028	ME03
079	028	ME03
080	028	ME03
081	028	ME03
082	028	ME03
083	028	ME03
084	028	ME03
085	028	ME03
086	028	ME03
087	028	ME03
088	028	ME03
089	028	ME03
090	028	ME03
091	028	ME03
092	028	ME03
093	028	ME03
094	028	ME03
095	028	ME03
096	028	ME03
097	028	ME03
098	028	ME03
099	028	ME03
100	028	ME03

AFRIC FOUR YEAR SCHOLARSHIP PROGRAM
DETACHMENT TABLE REPORT BY ZIP CODES
CROSS ZIP CODES

ZIP CODE (151-5)	DETACHMENT	AREA
060	060	ME03
061	060	ME03
062	060	ME03
063	060	ME03
064	060	ME03
065	060	ME03
066	060	ME03
067	060	ME03
068	060	ME03
069	060	ME03
070	060	ME03
071	060	ME03
072	060	ME03
073	060	ME03
074	060	ME03
075	060	ME03
076	060	ME03
077	060	ME03
078	060	ME03
079	060	ME03
080	060	ME03
081	060	ME03
082	060	ME03
083	060	ME03
084	060	ME03
085	060	ME03
086	060	ME03
087	060	ME03
088	060	ME03
089	060	ME03
090	060	ME03
091	060	ME03
092	060	ME03
093	060	ME03
094	060	ME03
095	060	ME03
096	060	ME03
097	060	ME03
098	060	ME03
099	060	ME03
100	060	ME03

27-13

aff 9837 904
4621 100
W.C. 010
No

915-966-

AFRIC FOUR YEAR SCHOLARSHIP PROGRAM
DETACHMENT TABLE REPORT BY ZIP CODES
CONUS ZIP CODES

AFRIC FOUR YEAR SCHOLARSHIP PROGRAM
DETACHMENT TABLE REPORT BY ZIP CODES
EUROPE APO ZIP CODES

ZIP CODE (LIST 3)	DETACHMENT	AREA	ZIP CODE	DETACHMENT	AREA
975	8P5	WE05	99000		0000
976	8P5	WE05	99001	CCCC	NE04
977	8P5	WE05	99002	CCCC	NE04
978	8P5	WE05	99003		NE04
979	8P5	WE05	99004		NE04
980	910	WE05	99005		NE04
981	910	WE05	99006		NE04
982	910	WE05	99007	IIII	NE04
983	900	WE05	99008	IIII	NE04
984	900	WE05	99009	TYFR	NE04
985	900	WE05	99010		NE04
986	8P5	WE05	99011	VVVV	NE04
987	8P5	WE05	99012	TYFR	NE04
988	8P5	WE05	99013	DUHP	NE04
989	905	WE05	99014		NE04
990	905	WE05	99015		NE04
991	905	WE05	99016		NE04
992	905	WE05	99017		NE04
993	8P5	WE05	99018		NE04
994	905	WE05	99019	JJJJ	NE04
995	900	WE05	99020	LCPU	NE04
996	900	WE05	99021	TYFR	NE04
997	900	WE05	99022		NE04
998	900	WE05	99023	MSET	NE04
999	900	WE05	99024		NE04
			99025	IIII	NE04
			99026	DDMY	NE04
			99027		NE04
			99028	IIII	NE04
			99029	IIII	NE04
			99030		NE04
			99031	DDDU	NE04
			99032		NE04
			99033	JJJJ	NE04
			99034	TYFR	NE04
			99035	IIII	NE04
			99036	IIII	NE04
			99037		NE04
			99038	YYYY	NE04
			99039	DDMY	NE04
			99040	SSSS	NE04

PAGE 025

PAGE 029

27-14

AFRIC FOUR YEAR SCHOLARSHIP PROGRAM
DETACHMENT TABLE REPORT BY ZIP CODES

AFRIC FOUR YEAR SCHOLARSHIP PROGRAM
DETACHMENT TABLE REPORT BY ZIP CODES

ZIP CODE	DETACHMENT	AREA	ZIP CODE	DETACHMENT	AREA
09001		NE04	09002	UDHY	NE04
09002		NE04	09003		NE04
09003		NE04	09004	RRRR	NE04
09004		NE04	09005	KPRK	NE04
09005	JJJJ	NE04	09006	UDHY	NE04
09006	JJJJ	NE04	09007		NE04
09007	JJJJ	NE04	09008	FFFF	NE04
09008	MSST	NE04	09009		NE04
09009		NE04	09010	UDHY	NE04
09010	UUUU	NE04	09011	UDHY	NE04
09011	WJTC	NE04	09012		NE04
09012	ZSYG	NE04	09013	UUUU	NE04
09013	UUUU	NE04	09014		NE04
09014	TVFV	NE04	09015	UDHY	NE04
09015	FFFF	NE04	09016		NE04
09016	TYFR	NE04	09017	UUUU	NE04
09017	UDHY	NE04	09018	UUUU	NE04
09018	TYFR	NE04	09019	JWEC	NE04
09019	TYFR	NE04	09020		NE04
09020	JJJJ	NE04	09021	VVVV	NE04
09021	UUUU	NE04	09022		NE04
09022		NE04	09023		NE04
09023	UUUU	NE04	09024		NE04
09024	XGUT	NE04	09025		NE04
09025		NE04	09026		NE04
09026		NE04	09027		NE04
09027		NE04	09028		NE04
09028	UUUU	NE04	09029		NE04
09029	UDHY	NE04	09030	MSST	NE04
09030	ZSYG	NE04	09031	MSST	NE04
09031	JJJJ	NE04	09032		NE04
09032		NE04			

27-15

AFRIC FOUR YEAR SCHOLARSHIP PROGRAM
DETACHMENT TABLE REPORT BY ZIP CODES
EUROPE APO ZIP CODES

ZIP CODE	DETACHMENT	AREA
09123	05BD	NE04
09124		NE04
09125	MSET	NE04
09126		NE04
09127	MSET	NE04
09128	DDDD	NE04
09129		NE04
09130	VVVV	NE04
09131	DDDD	NE04
09132	BSGX	NE04
09133	SSSS	NE04
09134		NE04
09135		NE04
09136	DDDD	NE04
09137		NE04
09138	ZSYG	NE04
09139	DDDD	NE04
09140	DDDD	NE04
09141	DDDD	NE04
09142	DDDD	NE04
09143		NE04
09144	DDDD	NE04
09145		NE04
09146	JJJJ	NE04
09147		NE04
09148		NE04
09149	DDDP	NE04
09150	MSET	NE04
09151		NE04
09152		NE04
09153		NE04
09154	DDDD	NE04
09155	WVAV	NE04
09156		NE04
09157		NE04
09158		NE04
09159	UUUU	NE04
09160	DDDD	NE04
09161	CCCC	NE04
09162	JJJJ	NE04
09163		NE04

27-16

AFRIC FOUR YEAR SCHOLARSHIP PROGRAM
DETACHMENT TABLE REPORT BY ZIP CODES
EUROPE APO ZIP CODES

ZIP CODE	DETACHMENT	AREA
09164	DDYY	NE04
09165	JJJJ	NE04
09166	JJJJ	NE04
09167		NE04
09168	JJJJ	NE04
09169	JJJJ	NE04
09170	AAAA	NE04
09171	JJJJ	NE04
09172	DDDD	NE04
09173	JJJJ	NE04
09174	DDDP	NE04
09175	JJJJ	NE04
09176	JJJJ	NE04
09177	DDDD	NE04
09178	DDDD	NE04
09179	MSET	NE04
09180	TYFR	NE04
09181		NE04
09182		NE04
09183		NE04
09184	DDDD	NE04
09185	TTTT	NE04
09186		NE04
09187		NE04
09188	TYFR	NE04
09189		NE04
09190		NE04
09191		NE04
09192		NE04
09193	MSET	NE04
09194	XDDT	NE04
09195		NE04
09196		NE04
09197		0000
09198		NE04
09199		NE04
09200		0000
09201		NE04
09202	LLLL	NE04
09203		NE04
09204		NE04

AFRICAN FOUR YEAR SCHOLARSHIP PROGRAM
DETACHMENT TABLE REPORT BY ZIP CODES
EUROPE APO ZIP CODES

AFRICAN FOUR YEAR SCHOLARSHIP PROGRAM
DETACHMENT TABLE REPORT BY ZIP CODES
EUROPE APO ZIP CODES

ZIP CODE	DETACHMENT	AREA	ZIP CODE	DETACHMENT	AREA
09205		NE04	09246		NE04
09206	LLLL	0000	09247		NE04
09207		NE04	09248		NE04
09208		FE04	09249		NE04
09209		NE04	09250		NE04
09210	NSET	NE04	09251		NE04
09211		NE04	09252	YVVV	FE04
09212		NE04	09253	AGUS	NE04
09213		NE04	09254	SSSS	NE04
09214		NE04	09255		NE04
09215		NE04	09256		NE04
09216		NE04	09257		NE04
09217		NE04	09258		NE04
09218		NE04	09259		0000
09219	MSLT	NE04	09260		NE04
09220		NE04	09261		NE04
09221	IIII	NE04	09262		NE04
09222	JJJJ	NE04	09263		NE04
09223		NE04	09264		0000
09224	ADUS	NE04	09265		NE04
09225	LJYC	NE04	09266		0000
09226		NE04	09267		0000
09227	TYFM	NE04	09268		NE04
09228		FE04	09269		NE04
09229		NE04	09270		NE04
09230	LLLL	NE04	09271		NE04
09231		NE04	09272		NE04
09232		NE04	09273		NE04
09233		NE04	09274		0000
09234		NE04	09275		NE04
09235		NE04	09276		NE04
09236		NE04	09277	UUUU	NE04
09237		NE04	09278		NE04
09238	AEDY	NE04	09279		FE04
09239		NE04	09280		NE04
09240	CCCC	NE04	09281	JJJJ	NE04
09241	AEDY	NE04	09282	XBGX	NE04
09242		NE04	09283	XEGX	NE04
09243		NE04	09284	XMGX	NE04
09244		NE04	09285	XOGX	NE04
09245	UUUU	NE04	09286	XAGX	NE04

27-17

AFRIC FOUR YEAR SCHOLARSHIP PROGRAM
DETACHMENT TABLE REPORT BY ZIP CODES
EUROPE APO ZIP CODES

ZIP CODE	DETACHMENT	AREA
09287		NE04
09288		NE04
09289	LJYC	NE04
09290		NE04
09291	ADUS	NE04
09292	JIUU	NE04
09293	ASHE	NE04
09294	LJYC	NE04
09295		NE04
09296		NE04
09297		NE04
09298		NE04
09299		NE04
09300		0000
09301		NE04
09302		NE04
09303		NE04
09304		NE04
09305	VVVV	NE04
09306		NE04
09307		NE04
09308		NE04
09309		NE04
09310		NE04
09311		NE04
09312		0000
09313		NE04
09314		NE04
09315		NE04
09316		NE04
09317		NE04
09318		NE04
09319	PUMP	NE04
09320	SSSS	NE04
09321		NE04
09322	TYFR	NE04
09323		NE04
09324	LJYC	NE04
09325	TYFR	NE04
09326	IIII	NE04
09327		NE04

AFRIC FOUR YEAR SCHOLARSHIP PROGRAM
DETACHMENT TABLE REPORT BY ZIP CODES
EUROPE APO ZIP CODES

ZIP CODE	DETACHMENT	AREA
09328		NE04
09329		NE04
09330	IIII	NE04
09331		NE04
09332	IIII	NE04
09333	IIII	NE04
09334		NE04
09335		NE04
09336		NE04
09337		NE04
09338		NE04
09339		NE04
09340		NE04
09341		NE04
09342		NE04
09343		NE04
09344		NE04
09345		NE04
09346		NE04
09347		NE04
09348		NE04
09349		NE04
09350		0000
09351	IIII	NE04
09352	IIII	NE04
09353	IIII	NE04
09354		NE04
09355		NE04
09356		NE04
09357		NE04
09358		NE04
09359		NE04
09360	IIII	NE04
09361		NE04
09362		NE04
09363		NE04
09364		NE04
09365		NE04
09366		NE04
09367		NE04
09368		NE04

27-18

AFR JIC FOUR YEAR SCHOLARSHIP PROGRAM
DETACHMENT TABLE REPORT BY ZIP CODES
EUROPE AFPO ZIP CODES

AFR JIC FOUR YEAR SCHOLARSHIP PROGRAM
DETACHMENT TABLE REPORT BY ZIP CODES
EUROPE AFPO ZIP CODES

AREA	DETACHMENT	ZIP CODE	DETACHMENT	AREA
NE04		09419		NE04
NE04		09411	0000	NE04
NE04		09412		NE04
NE04		09413		NE04
NE04		09414		NE04
NE04		09415		NE04
NE04		09419		NE04
NE04		09417		NE04
NE04		09418		NE04
NE04		09419		NE04
NE04		09420		NE04
NE04		09421		NE04
NE04		09422		NE04
NE04		09423		NE04
NE04		09424		NE04
NE04		09425		NE04
NE04		09426		NE04
NE04		09427		NE04
NE04		09428		NE04
NE04		09429		NE04
NE04		09430		NE04
NE04		09431		NE04
NE04		09432		NE04
NE04		09433		NE04
NE04		09434		NE04
NE04		09435		NE04
NE04		09436		NE04
NE04		09437		NE04
NE04		09438		NE04
NE04		09439		NE04
NE04		09440		NE04
NE04		09441		NE04
NE04		09442		NE04
NE04		09443		NE04
NE04		09444		NE04
NE04		09445		NE04
NE04		09446		NE04
NE04		09447		NE04
NE04		09448		NE04
NE04		09449		NE04
NE04		09450		NE04

27-19

AFRIC FOUR YEAR SCHOLARSHIP PROGRAM
DETACHMENT TABLE REPORT BY ZIP CODES
EUROPE APO ZIP CODES

ZIP CODE	DETACHMENT	AREA
09451	IIII	NE04
09452		NE04
09453		NE04
09454		NE04
09455		NE04
09456		NE04
09457	JJJJ	NE04
09458	DDDD	NE04
09459		NE04
09460		NE04
09461		0000
09462		NE04
09463		NE04
09464		NE04
09465		NE04
09466		NE04
09467		NE04
09468		NE04
09469		NE04
09470		NE04
09471		NE04
09472		NE04
09473		NE04
09474		NE04
09475		NE04
09476		NE04
09477		NE04
09478		NE04
09479		0000
09480		NE04
09481		NE04
09482		NE04
09483		NE04
09484		NE04
09485		NE04
09486		NE04
09487		NE04
09488		NE04
09489		NE04
09490		NE04
09491		0000

AFRIC FOUR YEAR SCHOLARSHIP PROGRAM
DETACHMENT TABLE REPORT BY ZIP CODES
EUROPE APO ZIP CODES

ZIP CODE	DETACHMENT	AREA
09492		NE04
09493		NE04
09494		NE04
09495		NE04
09496		NE04
09497		NE04
09498		NE04
09499		NE04
09500		0000
09501	MSET	NE04
09502	MSET	NE04
09503		NE04
09504		NE04
09505	MSET	NE04
09506		NE04
09507		NE04
09508		NE04
09509		NE04
09510	MSET	NE04
09511	MSET	NE04
09512	MSET	NE04
09513	YU04	NE04
09514	YU04	NE04
09515	MSET	NE04
09516	MSET	NE04
09517		NE04
09518	MSET	NE04
09519		NE04
09520	JJJJ	NE04
09521	CC00	NE04
09522	CC00	NE04
09523	DUMP	NE04
09524	JJJJ	NE04
09525	HH00	NE04
09526	DUMP	NE04
09527	DUMP	NE04
09528	DUMP	NE04
09529	DUMP	NE04
09530	DUMP	NE04
09531	DUMP	NE04
09532	DUMP	NE04

27-20

AFRIC FOUR YEAR SCHOLARSHIP PROGRAM
 DETACHMENT TABLE REPORT BY ZIP CODES
 EUROPE APC ZIP CODES

AFRIC FOUR YEAR SCHOLARSHIP PROGRAM
 DETACHMENT TABLE REPORT BY ZIP CODES
 EUROPE APC ZIP CODES

ZIP CODE	DETACHMENT	AREA	ZIP CODE	DETACHMENT	AREA
09530		NE04	09574		NE04
09531		NE04	09575		NE04
09532		NE04	09576		NE04
09533		NE04	09577		NE04
09534		NE04	09578		NE04
09535		NE04	09579		NE04
09536		NE04	09580	LCPI	NE04
09537		NE04	09581		NE04
09538	XBGX	NE04	09582		NE04
09539		NE04	09583		NE04
09540		NE04	09584	LCPI	NE04
09541		NE04	09585	LCPI	NE04
09542		NE04	09586		NE04
09543		NE04	09587		NE04
09544		NE04	09588		NE04
09545		NE04	09589		0000
09546		NE04	09590		NE04
09547		NE04	09591		NE04
09548		NE04	09592		NE04
09549		NE04	09593		NE04
09550		NE04	09594		NE04
09551		NE04	09595		NE04
09552		NE04	09596		NE04
09553		NE04	09597	INSET	NE04
09554		NE04	09598	INSET	NE04
09555		NE04	09599		NE04
09556		NE04	09600		0000
09557		NE04	09601		NE04
09558		NE04	09602		NE04
09559		NE04	09603		NE04
09560		NE04	09604		NE04
09561		NE04	09605		NE04
09562		NE04	09606		NE04
09563		NE04	09607	INSET	NE04
09564		NE04	09608		NE04
09565		NE04	09609		NE04
09566		NE04	09610		NE04
09567		NE04	09611		NE04
09568		NE04	09612	EEEE	0000
09569		NE04	09613		NE04
09570		NE04	09614		NE04
09571	KFKK	NE04			
09572		NE04			
09573		NE04			

27-21

AFNUTC FOUR YEAR SCHOLARSHIP PROGRAM
DETACHMENT TABLE REPORT BY ZIP CODES
EUROPE APO ZIP CODES

ZIP CODE	DETACHMENT	AREA
1510		NE04
1511	TTTT	NE04
1512		NE04
1513		NE04
1514		NE04
1515		NE04
1516		NE04
1517		NE04
1518		NE04
1519		NE04
1520		NE04
1521		NE04
1522		NE04
1523		NE04
1524		NE04
1525		NE04
1526		NE04
1527		NE04
1528		NE04
1529		NE04
1530		NE04
1531		0000
1532		NE04
1533	TTTT	NE04
1534		NE04
1535		NE04
1536		NE04
1537		NE04
1538		NE04
1539		0000
1540		NE04
1541		NE04
1542		NE04
1543		0000
1544		NE04
1545		NE04
1546		NE04
1547		NE04
1548		NE04
1549		NE04
1550		NE04
1551		NE04
1552		NE04
1553		NE04
1554		NE04
1555		NE04

AFNUTC FOUR YEAR SCHOLARSHIP PROGRAM
DETACHMENT TABLE REPORT BY ZIP CODES
EUROPE APO ZIP CODES

ZIP CODE	DETACHMENT	AREA
09656		NE04
09657		NE04
09658		NE04
09659	ISST	NE04
09660		NE04
09661		NE04
09662	ZZZZ	NE04
09663		NE04
09664	UUMP	NE04
09665		NE04
09666	JJJJ	NE04
09667	6556	NE04
09668		0000
09669	6666	NE04
09670	UUMP	NE04
09671		NE04
09672	ZAAB	NE04
09673		NE04
09674	JJJJ	NE04
09675		NE04
09676	LCPN	NE04
09677	TTTT	NE04
09678	XXXX	NE04
09679		0000
09680		NE04
09681		NE04
09682		NE04
09683		NE04
09684		NE04
09685	UUMP	NE04
09686		NE04
09687		NE04
09688		NE04
09689	JJJJ	NE04
09690	4005	NE04
09691	VJJJ	NE04
09692	JJJJ	NE04
09693	ADUS	NE04
09694		NE04
09695		NE04
09696	JJJJ	NE04

27-22

AFRIC FOUR YEAR SCHOLARSHIP PROGRAM
DETACHMENT TABLE REPORT BY ZIP CODES
EUROPE APO ZIP CODES

ZIP CODE	DETACHMENT	AREA
09097	2334	NE04
09098		NE04
09099		NE04
09100		0000
09101	1111	NE04
09102	0000	NE04
09103		NE04
09104		NE04
09105		0000
09106		NE04
09107		NE04
09108		NE04
09109		NE04
09110	0000	NE04
09111		NE04
09112		NE04
09113		NE04
09114		NE04
09115		NE04
09116		NE04
09117		NE04
09118		NE04
09119		NE04
09120		NE04
09121		NE04
09122		NE04
09123		NE04
09124		NE04
09125		0000
09126		NE04
09127		NE04
09128		NE04
09129		0000
09130		NE04
09131		NE04
09132		NE04
09133		NE04
09134		NE04
09135		NE04
09136		NE04
09137		NE04

AFRIC FOUR YEAR SCHOLARSHIP PROGRAM
DETACHMENT TABLE REPORT BY ZIP CODES
EUROPE APO ZIP CODES

ZIP CODE	DETACHMENT	AREA
09139		NE04
09139		NE04
09140		NE04
09141		NE04
09142	EELE	NE04
09143	JJJJ	NE04
09144		NE04
09145		NE04
09146		NE04
09147		NE04
09148		NE04
09149		NE04
09150		NE04
09151	JJJJ	NE04
09152		NE04
09153		NE04
09154		NE04
09155		NE04
09156	BHVV	NE04
09157		NE04
09158	UDRY	NE04
09159		NE04
09160		NE04
09161		NE04
09162		NE04
09163		NE04
09164		NE04
09165		0000
09166		NE04
09167		NE04
09168		NE04
09169		NE04
09170		NE04
09171		NE04
09172		NE04
09173		NE04
09174		NE04
09175		NE04
09176		NE04
09177	ZRRB	NE04
09178		NE04

AFRTOC FOUR YEAR SCHOLARSHIP PROGRAM
DETACHMENT TABLE REPORT BY ZIP CODES
EUROPE APO ZIP CODES

ZIP CODE	DETACHMENT	AREA
09779		NE04
09780		NE04
09781		NE04
09782		NE04
09783		NE04
09784		NE04
09785		NE04
09786		NE04
09787		NE04
09788		NE04
09789		NE04
09790		NE04
09791		NE04
09792		NE04
09793		NE04
09794	JJJJ	NE04
09795		NE04
09796		NE04
09797		NE04
09798		NE04
09799		NE04
09800		NE04
09801	DDDD	NE04
09802		NE04
09803		NE04
09804		NE04
09805		NE04
09806		NE04
09807	DDDD	NE04
09808		NE04
09809		NE04
09810		NE04
09811		NE04
09812		NE04
09813		NE04
09814		NE04
09815		NE04
09816		NE04
09817		NE04
09818		NE04
09819		NE04

27-24

AFRTOC FOUR YEAR SCHOLARSHIP PROGRAM
DETACHMENT TABLE REPORT BY ZIP CODES
EUROPE APO ZIP CODES

ZIP CODE	DETACHMENT	AREA
09820		NE04
09821		NE04
09822		NE04
09823		NE04
09824		NE04
09825		NE04
09826	LCPU	NE04
09827	LCPU	NE04
09828		NE04
09829	LCPU	NE04
09830		NE04
09831		NE04
09832	LCPU	NE04
09833		NE04
09834	LCPU	NE04
09835		NE04
09836		NE04
09837	LCPU	NE04
09838		NE04
09839		NE04
09840		NE04
09841		NE04
09842		NE04
09843	JUMP	NE04
09844		NE04
09845		NE04
09846	YAML	NE04
09847		NE04
09848		NE04
09849		NE04
09850		NE04
09851	TXHL	NE04
09852		NE04
09853		NE04
09854		NE04
09855		NE04
09856		NE04
09857		NE04
09858		NE04
09859		NE04
09860	ZS10	NE04

2001 YEAR SCHOLARSHIP PROGRAM
DETACHMENT TABLE REPORT BY ZIP CODES
PACIFIC APO ZIP CODES

AFKOTC FOUR YEAR SCHOLARSHIP PROGRAM
DETACHMENT TABLE REPORT BY ZIP CODES
PACIFIC APO ZIP CODES

ZIP	DETACHMENT	AREA	ZIP	CODE	DETACHMENT	AREA
09001		NE04	96200			0004
09002	LUMP	NE04	96201		DVLK	NE04
09003		NE04	96202		ZNRE	NE04
09004		NE04	96203		DVLK	NE04
09005	LCPN	NE04	96204		DVLK	NE04
09006		NE04	96205		DVLK	NE04
09007	LCPN	NE04	96206			NE04
09008		NE04	96207			NE04
09009	LCPN	NE04	96208		ZNRE	NE04
09010	XXXX	NE04	96209		DVLK	NE04
09011	LCPN	NE04	96210		ZNRE	NE04
09012	ZSYG	NE04	96211		ZNRE	NE04
09013	DUMP	NE04	96212		MLWR	NE04
09014		NE04	96213		MLWR	NE04
09015	LCPN	NE04	96214			NE04
09016		NE04	96215		DVLK	NE04
09017		NE04	96216			NE04
09018	LCPN	NE04	96217		DVLK	NE04
09019	DUMP	NE04	96218		MLWR	NE04
09020	LCPN	NE04	96219			NE04
09021		NE04	96220		SHYU	NE04
09022	LCPN	NE04	96221		DVLK	NE04
09023		NE04	96222		DVLK	NE04
09024	LCPN	NE04	96223			NE04
09025		NE04	96224		MLWR	NE04
09026	LCPN	NE04	96225		175	NE04
09027		NE04	96226		DVLK	NE04
09028	LCPN	NE04	96227		DVLK	NE04
09029		NE04	96228			NE04
09030	LCPN	NE04	96229		LXEZ	NE04
09031	DUMP	NE04	96230		MLWR	NE04
09032	LCPN	NE04	96231		XXXX	NE04
09033		NE04	96232			NE04
09034	LCPN	NE04	96233		DVLK	NE04
09035		NE04	96234			NE04
09036		NE04	96235		LXEZ	NE04
09037		NE04	96236		PPPP	NE04
09038	LCPN	NE04	96237		XXXX	NE04
09039		NE04	96238		DVLK	NE04
09040		NE04	96239		LXEZ	NE04
09041		NE04	96240		DVLK	NE04

27-25

AFS/JC FOUR YEAR SCHOLARSHIP PROGRAM
DETACHMENT TABLE REPORT BY ZIP CODES
PACIFIC APO ZIP CODES

AFS/JC FOUR YEAR SCHOLARSHIP PROGRAM
DETACHMENT TABLE REPORT BY ZIP CODES
PACIFIC APO ZIP CODES

ZIP CODE	DETACHMENT	AREA	ZIP CODE	DETACHMENT	AREA
96241		AE04	96252		AE04
96242		AE04	96253	DVLK	AE04
96243	DVLK	AE04	96254	DVLK	AE04
96244		AE04	96255	UYZP	AE31
96245	UYZP	AE31	96256		AE04
96246		AE04	96257		AE04
96247		AE04	96258		AE04
96248		AE04	96259	LXEZ	AE04
96249		AE04	96260	DVLK	AE04
96250		AE04	96261	DVLK	AE04
96251	MLWK	AE04	96262	DVLK	AE04
96252		AE04	96263	MLWK	AE04
96253		AE04	96264	MLRR	AE04
96254		AE04	96265	MLRR	AE04
96255		AE04	96266	DVLK	AE04
96256		AE04	96267	ZNRE	AE04
96257	DVLK	AE04	96268	DVLK	AE04
96258	DVLK	AE04	96269	DVLK	AE04
96259	MLWK	AE04	96270	ZNRE	AE04
96260		AE04	96271	MLRR	AE04
96261	MLER	AE04	96272	UYZP	AE04
96262		AE04	96273	DVLK	AE04
96263	PPPP	AE04	96274	DVLK	AE03
96264	MLRR	AE04	96275		AE04
96265		AE04	96276	MLRR	AE04
96266		AE04	96277	DVLK	AE04
96267	DVLK	AE04	96278	DVLK	AE04
96268	ZNRE	AE04	96279	DVLK	AE04
96269	DVLK	AE04	96280	PPPP	AE04
96270	DVLK	AE04	96281	ZNRE	AE04
96271	ZNRE	AE04	96282	UYZP	AE04
96272	MLRR	AE04			
96273	UYZP	AE04			
96274	DVLK	AE03			
96275		AE04			
96276	MLRR	AE04			
96277	DVLK	AE04			
96278	DVLK	AE04			
96279	DVLK	AE04			
96280	PPPP	AE04			
96281	ZNRE	AE04			
96282	UYZP	AE04			

1973-74 FOUR YEAR SCHOLARSHIP PROGRAM
DETACHMENT TABLE REPORT BY ZIP CODES
PACIFIC APO ZIP CODES

ZIP CODE	DETACHMENT	AREA
96325	ZRE	ME04
96326	ZRE	ME04
96328	ZRE	ME04
96327	AJYJ	ME04
96320	ZRE	ME04
96329	ZRE	ME04
96330	ZRE	ME04
96331	ZRE	ME04
96332	ZRE	ME04
96333	ZRE	ME04
96334	AJYJ	ME04
96335	ZRE	ME04
96336	ZRE	ME04
96337	ZRE	ME04
96338	ZRE	ME04
96339	ZRE	ME04
96340	PPPP	ME04
96341	KMCD	ME04
96342	ZRE	ME04
96343	ZRE	ME04
96344	ZRE	ME04
96345	ZRE	ME04
96346	ZRE	ME04
96347	ZRE	ME04
96348	ZRE	ME04
96349	ZRE	ME04
96350	ZRE	ME04
96351	AJYJ	ME04
96352	XMTG	ME04
96353	ZRE	ME04
96354	ZRE	ME04
96355	ZRE	ME04
96356	ZRE	ME04
96357	ZRE	ME04
96358	ZRE	ME04
96359	ZRE	ME04
96360	ZRE	ME04
96361	ZRE	ME04
96362	ZRE	ME04
96363	ZRE	ME04

1973-74 FOUR YEAR SCHOLARSHIP PROGRAM
DETACHMENT TABLE REPORT BY ZIP CODES
PACIFIC APO ZIP CODES

ZIP CODE	DETACHMENT	AREA
96364	DVLC	ME04
96365	DVLC	ME04
96366	LXZ7	ME04
96367	DVLC	ME04
96368	DVLC	ME04
96369	DVLC	ME04
96370	DVLC	ME04
96371	DVLC	ME04
96372	DVLC	ME04
96373	DVLC	ME04
96374	DVLC	ME04
96375	DVLC	ME04
96376	DVLC	ME04
96377	DVLC	ME04
96378	DVLC	ME04
96379	DVLC	ME04
96380	DVLC	ME04
96381	DVLC	ME04
96382	DVLC	ME04
96383	DVLC	ME04
96384	DVLC	ME04
96385	DVLC	ME04
96386	XMTG	ME04
96387	DVLC	ME04
96388	DVLC	ME04
96389	ZMPE	ME04
96390	ZMPE	ME04
96391	DVLC	ME04
96392	DVLC	ME04
96393	DVLC	ME04
96394	DVLC	ME04
96395	DVLC	ME04
96396	DVLC	ME04
96397	DVLC	ME04
96398	DVLC	ME04
96399	DVLC	ME04
96400	DVLC	ME04
96401	DVLC	ME04
96402	DVLC	ME04
96403	DVLC	ME04
96404	DVLC	ME04

27-27

AFRIC FOUR YEAR SCHOLARSHIP PROGRAM
DETACHMENT TABLE REPORT BY ZIP CODES
PACIFIC APO ZIP CODES

ZIP CODE	DETACHMENT	AREA
96405		AE04
96406		AE04
96407		AE04
96408		AE04
96409	UYZP	AE04
96410		AE04
96411		AE04
96412		AE04
96413		AE04
96414		AE04
96415		AE04
96416		AE04
96417		AE04
96418		AE04
96419		AE04
96420		AE04
96421	UYZP	AE04
96422		AE04
96423		AE04
96424		AE04
96425		AE04
96426		AE04
96427		AE04
96428		AE04
96429		AE04
96430	XXXX	AE04
96431	DVLR	AE04
96432	DVLR	AE04
96433		AE04
96434		AE04
96435	PPPP	AE04
96436	ZBRE	AE04
96437	ZBRE	AE04
96438		AE04
96439		AE04
96440		AE04
96441		AE04
96442		AE04
96443		AE04
96444		AE04
96445		AE04
96446		AE04
96447		AE04
96448		AE04
96449		AE04
96450		AE04
96451		AE04
96452		AE04
96453		AE04
96454		AE04
96455		AE04
96456		AE04
96457		AE04
96458		AE04
96459		AE04
96460		AE04
96461		AE04
96462		AE04
96463		AE04
96464		AE04
96465		AE04
96466		AE04
96467		AE04
96468		AE04
96469		AE04
96470		AE04
96471		AE04
96472		AE04
96473		AE04
96474		AE04
96475		AE04
96476		AE04
96477		AE04
96478		AE04
96479		AE04
96480		AE04
96481		AE04
96482		AE04
96483		AE04
96484		AE04
96485		AE04
96486		AE04

AFRIC FOUR YEAR SCHOLARSHIP PROGRAM
DETACHMENT TABLE REPORT BY ZIP CODES
PACIFIC APO ZIP CODES

ZIP CODE	DETACHMENT	AREA
96486		AE04
96487		AE04
96488		AE04
96489		AE04
96490		AE04
96491		AE04
96492		AE04
96493		AE04
96494		AE04
96495		AE04
96496		AE04
96497		AE04
96498		AE04
96499		AE04
96500		AE04
96501		AE04
96502		AE04
96503		AE04
96504		AE04
96505		AE04
96506		AE04
96507		AE04
96508		AE04
96509		AE04
96510		AE04
96511		AE04
96512		AE04
96513		AE04
96514		AE04
96515		AE04
96516		AE04
96517		AE04
96518		AE04
96519		AE04
96520		AE04
96521		AE04
96522		AE04
96523		AE04
96524		AE04
96525		AE04
96526		AE04
96527		AE04
96528		AE04
96529		AE04
96530		AE04
96531		AE04
96532		AE04
96533		AE04
96534		AE04
96535		AE04
96536		AE04
96537		AE04
96538		AE04
96539		AE04
96540		AE04
96541		AE04
96542		AE04
96543		AE04
96544		AE04
96545		AE04
96546		AE04
96547		AE04
96548		AE04
96549		AE04
96550		AE04
96551		AE04
96552		AE04
96553		AE04
96554		AE04
96555		AE04
96556		AE04
96557		AE04
96558		AE04
96559		AE04
96560		AE04
96561		AE04
96562		AE04
96563		AE04
96564		AE04
96565		AE04
96566		AE04
96567		AE04
96568		AE04
96569		AE04
96570		AE04
96571		AE04
96572		AE04
96573		AE04
96574		AE04
96575		AE04
96576		AE04
96577		AE04
96578		AE04
96579		AE04
96580		AE04
96581		AE04
96582		AE04
96583		AE04
96584		AE04
96585		AE04
96586		AE04

AFRTO FOUR YEAR SCHOLARSHIP PROGRAM
DETACHMENT TABLE REPORT BY ZIP CODES
PACIFIC APO ZIP CODES

ZIP CODE	DETACHMENT	AREA
96487		4E04
96488		4E04
96489		4F04
96490	DULK	4E04
96491	DULK	4E04
96492	DULK	4E04
96493	DULK	4E04
96494	DULK	4E04
96495	DULK	4E04
96496	DULK	4E04
96497		4E04
96498		4E04
96499		4E04
96500	DULK	000A
96501	DULK	4F04
96502	ZPRE	000A
96503	ZPRE	DT17
96504	ZPRE	DT17
96505		000A
96506		000A
96507		000A
96508		000A
96509		000A
96510		000A
96511		000A
96512		000A
96513		000A
96514		000A
96515	175	DT17
96516		000A
96517		000A
96518	ZPRE	DT17
96519	ZPRE	4E04
96520		000A
96521		000A
96522		000A
96523		000A
96524		000A
96525	ZPRE	DT17
96526		000A
96527		000A

AFRTO FOUR YEAR SCHOLARSHIP PROGRAM
DETACHMENT TABLE REPORT BY ZIP CODES
PACIFIC APO ZIP CODES

ZIP CODE	DETACHMENT	AREA
96528	DVLK	DT17
96529	DVLK	000A
96530	DVLK	DT17
96531		000A
96532		000A
96533		000A
96534		000A
96535		000A
96536		000A
96537		000A
96538		000A
96539		000A
96540		000A
96541		000A
96542		000A
96543		000A
96544		000A
96545	KMAU	DT17
96546		000A
96547		000A
96548		000A
96549		000A
96550		000A
96551		000A
96552		000A
96553	175	DT17
96554		000A
96555	DVLK	DT17
96556	KMAU	DT17
96557	175	DT17
96558	175	DT17
96559		000A
96560		000A
96561		000A
96562		000A
96563		000A
96564		000A
96565		000A
96566		000A
96567		000A
96568		000A

AFRIC FOUR YEAR SCHOLARSHIP PROGRAM
DETACHMENT TABLE REPORT BY ZIP CODES
PACIFIC APO ZIP CODES

ZIP CODE	DETACHMENT	AREA
96569		000A
96570	SRYU	DT17
96571	MLRR	DT17
96572		000A
96573		000A
96574		000A
96575		000A
96576		000A
96577		000A
96578		000A
96579		000A
96580		000A
96581		000A
96582		000A
96583		000A
96584		000A
96585		000A
96586		000A
96587		000A
96588		000A
96589		000A
96590		000A
96591		000A
96592		000A
96593		000A
96594	ZNRE	000A
96595		000A
96596		000A
96597		000A
96598		000A
96599		000A
96600		000A
96601	KNRD	DT17
96602	KNRD	DT17
96603		000A
96604		000A
96605	KNRD	DT17
96606		DT17
96607		DT17
96608		000A
96609		000A

AFRIC FOUR YEAR SCHOLARSHIP PROGRAM
DETACHMENT TABLE REPORT BY ZIP CODES
PACIFIC APO ZIP CODES

ZIP CODE	DETACHMENT	AREA
96610	175	000A
96611	175	000A
96612	KNRD	000A
96613	KNRD	000A
96614		DT17
96615	175	000A
96616		000A
96617	KNRD	000A
96618		000A
96619		DT17
96620		000A
96621	DVLA	000A
96622	DVLA	000A
96623		DT17
96624	DVLA	DT17
96625	DVLA	DT17
96626	DVLA	DT17
96627	DVLA	DT17
96628		DT17
96629		000A
96630	DVLA	DT17
96631	AJYJ	DT17
96632		DT17
96633		DT17
96634		DT17
96635		DT17
96636		DT17
96637	DVLA	DT17
96638	DVLA	DT17
96639		DT17
96640		DT17
96641	DVLA	DT17
96642		DT17
96643		DT17
96644		000A
96645		DT17
96646		DT17
96647	DVLA	DT17
96648	DVLA	DT17
96649		DT17
96650	DVLA	DT17

FRONT FOUR YEAR SCHOLARSHIP PROGRAM
 ATTACHMENT TABLE REPORT BY ZIP CODES
 PACIFIC 400 ZIP CODES

FRONT FOUR YEAR SCHOLARSHIP PROGRAM
 ATTACHMENT TABLE REPORT BY ZIP CODES
 PACIFIC 400 ZIP CODES

ZIP CODE	DEPARTMENT	AREA	ZIP CODE	DEPARTMENT	AREA
96521	DVLA	DT17	96592	LCPS	DT17
96522	DVLC	DT17	96593		000A
96523		000A	96594		000A
96524	DVLC	DT17	96595	DVLC	000A
96525		000A	96596		000A
96526	DVLC	DT17	96597	DVLC	000A
96527		000A	96598		000A
96528	DVLC	DT17	96599	DVLC	DT17
96529	DVLC	DT17	96700		000A
96530		DT17	96701		MEUS
96531		DT17	96702		MEUS
96532		DT17	96703	FXSB	MEUS
96533		DT17	96704	FXSB	MEUS
96534		DT17	96705		MEUS
96535		DT17	96706	FXSB	MEUS
96536		DT17	96707		MEUS
96537		DT17	96708		MEUS
96538		DT17	96709	FXSB	MEUS
96539		DT17	96710	FXSB	LEUS
96540		DT17	96711	FXSB	MEUS
96541		DT17	96712		MEUS
96542		DT17	96713	FXSB	MEUS
96543		DT17	96714		MEUS
96544		DT17	96715	FXSB	MEUS
96545		DT17	96716	FXSB	MEUS
96546		DT17	96717		000A
96547		DT17	96718		MEUS
96548		DT17	96719		MEUS
96549		DT17	96720		MEUS
96550	DVLC	DT17	96721		MEUS
96551		000A	96722		MEUS
96552		DT17	96723	FXSB	MEUS
96553		DT17	96724		MEUS
96554		DT17	96725		MEUS
96555		DT17	96726		MEUS
96556		000A	96727		MEUS
96557		000A	96728	FXSB	MEUS
96558		000A	96729		MEUS
96559		000A	96730		MEUS
96560	DVLC	DT17	96731	FXSB	MEUS
96561		000A	96732	FXSB	MEUS

27-31

AFRICAN FOUR YEAR SCHOLARSHIP PROGRAM
DETACHMENT TABLE REPORT BY ZIP CODES
PACIFIC APU ZIP CODES

AFRICAN FOUR YEAR SCHOLARSHIP PROGRAM
DETACHMENT TABLE REPORT BY ZIP CODES
PACIFIC APU ZIP CODES

ZIP CODE	DETACHMENT	AREA	ZIP CODE	DETACHMENT	AREA
98733	FASH	NEUS	98774	FASH	NEUS
98734	FASH	NEUS	98775	FASH	NEUS
98735	FASH	NEUS	98776	FASH	NEUS
98736	FASH	NEUS	98777	FASH	NEUS
98737	FASH	NEUS	98778	FASH	NEUS
98738	FASH	NEUS	98779	FASH	NEUS
98739	FASH	NEUS	98780	FASH	NEUS
98740	FASH	NEUS	98781	DVLC	NEUS
98741	FASH	NEUS	98782	DVLC	NEUS
98742	FASH	NEUS	98783	FASH	NEUS
98743	FASH	NEUS	98784	FASH	NEUS
98744	FASH	NEUS	98785	FASH	NEUS
98745	FASH	NEUS	98786	FASH	NEUS
98746	FASH	NEUS	98787	FASH	NEUS
98747	FASH	NEUS	98788	FASH	NEUS
98748	FASH	NEUS	98789	FASH	NEUS
98749	FASH	NEUS	98790	FASH	NEUS
98750	FASH	NEUS	98791	FASH	NEUS
98751	FASH	NEUS	98792	FASH	NEUS
98752	FASH	NEUS	98793	FASH	NEUS
98753	FASH	NEUS	98794	FASH	NEUS
98754	FASH	NEUS	98795	FASH	NEUS
98755	FASH	NEUS	98796	FASH	NEUS
98756	FASH	NEUS	98797	FASH	NEUS
98757	FASH	NEUS	98798	FASH	NEUS
98758	FASH	NEUS	98799	FASH	NEUS
98759	FASH	NEUS			
98760	ZARE	NEUS			
98761	ZARE	NEUS			
98762	ZARE	NEUS			
98763	ZARE	NEUS			
98764	ZARE	NEUS			
98765	ZARE	NEUS			
98766	ZARE	NEUS			
98767	ZARE	NEUS			
98768	ZARE	NEUS			
98769	ZARE	NEUS			
98770	ZARE	NEUS			
98771	FASH	NEUS			
98772	ZARE	NEUS			
98773	ZARE	NEUS			

27-32

AFSC FOUR YEAR SCHOLARSHIP PROGRAM
DETACHMENT TABLE REPORT BY DETACHMENTS

CUNY DETACHMENTS

ZIP CODES (1st 3)

302 304

354 355 307 300

350 351 302 304 307 358 359

363 304

360 301 305 306

855 306 307 300 859

850 301 852 453

860 304 805 804 807 808 809 890 891 892

463

719 720 721 722 723 724 725 726 727 728 729 740

932 933 934 937 953

939 940 942 943 944 950 951

904 913 914 915 916 934 935

905 906 907

904 926 927 928 929 938

900 901 902 903 904 910 911 912 917 918 919 930 931

920 921 922 923 924 925

941 945 954

945 946 947 948

893 894 895 896 897 898 899 952 955 956 957 958 959 960 961

677 405

27-33

AFRIC FLOOR YEAR SCHOLARSHIP PROGRAM
(ATTACHMENT TABLE REPORT BY DETACHMENTS
CUNUS ATTACHMENTS)

DETACH 501 ZIP CODES (LIST 3)

1	67A	606	607																		
115	679	600	601	602	603	604	608	609	610	611	612	613	614	615	616	617	618				
116	660	661	662	663	664	665	666	667	668	669											
160	692	683	197	198	199																
161	270	262	263	264	265	220	221	222	223												
165	323	324	325																		
167	322	326																			
168	330	331	332	333	334																
167	320	321																			
168	325	326	327	328	329	338	339	342													
167	327	328	329																		
167	304	305	306	308	309																
168	300	301	302	303	307	310	311	312													
172	313	314	315	316	317	318	319														
175	967	968	969																		
176	619	614	615	616	617	618	619														
180	611	611	602	603	604	605	606	607	608	610	611	612	613								
612	625	629																			
615	620	621	623	624	625	626	627														
617	622	630	631	632	633	634															
618	472	470	475	478																	

FRENCH FOUR YEAR SCHOLARSHIP PROGRAM
ATTACHMENT TABLE REPORT BY DETACHMENTS
GONUS ATTACHMENTS

71P 00000 (1) (3)

460	401	402	405	473	479
403	404	405	456	457	498
500	501	502	503	504	505
506	507	520	521	522	523
524	525	526	527	528	
669	670	671	672	674	675
676					
645	650	651	652	653	654
655	656	657	658	659	660
661	662	663	664	665	666
667	668	669	670	671	672
403	404	405	406	407	408
409	410	411	412	413	414
415	416	417	418	419	420
421	422	423	425	426	
400	401	402	424	427	428
429	470	471	476	477	
710	711	712	713	714	715
716	717	718			
703	707	708	709		
705	706				
700	701	702	704		
043	044	045	046	047	048
049					
201	206	207	208	209	210
211	212	213	214	215	216
217	218	219			
015	016	017	020	021	
018	030	031			
023	024	025	026	027	
028	029	030	031		
010	011	012	013	014	
484	485	486	487	488	489
490	491	492	493	494	495
496	497				

27-35

PREPARE: 30 SEP 24

AFROTC FOUR YEAR SCHOLARSHIP PROGRAM
DETACHMENT TABLE REPORT BY DETACHMENTS
CONUS DETACHMENTS

PCN UP909-00R

DETACHMENT 31P CONUS (1-3)

552 130 131 132 133 134 135

553 140 141 142 143 144 145 146 147

556 129 136

557 120 121 122 123 124 128

558 099 100 101 102 103 104 105 106 107 108 109 110 111 112 113 114 115 116
117 118 119 120 121 122 123 124 125 126 127

570 602

575 277

580 280 281 282 283 284 285 286 287 288 289

595 275 276

600 278 279 280

605 270 271 272 273 274

607 283 284

610 565 566 567 568 569 570 571 572 573 574 575 576 577 578 579 580 581 582 583 584 585 586 587 588 589

620 433 434 435 436 437 438 439

630 439 440 441 442 443 444 445

640 450

643 453 454 455

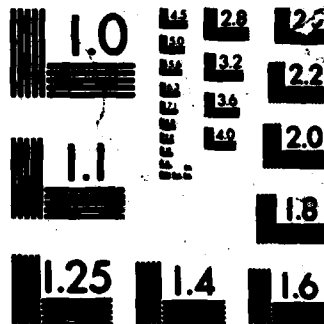
645 450 451 452 453 454 455

650 456 457 458

660 440 441 442 443 444 445 446 447 448 449

PCN UP909-00R

27-37



MICROCOPY

CHART

PREPARE: 05 SEP 76

AFROTC FOUR YEAR SCHOLARSHIP PROGRAM
DETACHMENT TABLE REPORT BY DETACHMENTS

PCN UP909-00A

DETACHMENT: 01P 0000 (1) 31

552	130	131	132	133	134	135																				
553	140	141	142	143	144	145	146	147																		
554	129	128																								
555	120	121	122	123	124	125	126	127																		
556	098	100	101	102	103	104	105	106	107	108	109	110	111	112	113	114	115	116								
557	117	118	119	120	121	122	123	124	125	126	127															
558	602																									
559	277																									
560	280	281	282	283	284	285	286	287	288	289																
561	275	276																								
562	278	279	280																							
563	270	271	272	273	274																					
564	283	284																								
565	565	566	567	568	569	570	571	572	573	574	575	576	577	578	579	580	581	582	583	584	585	586	587	588	589	
566	433	434	435	436	437	438	439	440	441	442	443	444	445													
567	439	440	441	442	443	444	445																			
568	450																									
569	453	454	455																							
570	430	431	432	433	434	435	436	437	438	439																
571	456	457	458																							
572	440	441	442	443	444	445	446	447	448	449																

27-37

PCN UP909-00A

PAGE 005

AFMOTC FOUR YEAR SCHOLARSHIP PROGRAM
DETACHMENT TABLE REPORT BY DETACHMENTS

DETACHMENT ZIP CODES (1951-57)

DETACHMENT	1951	1952	1953	1954	1955	1956	1957	1958	1959	1960
605	491	452								
670	737	740	743	744	745	746				
675	730	731	732	733	735	736	738	739	748	
605	973	974	975	976	977	979				
695	970	971	972	978	986					
715	173	174	175	176	180	181	195	196		
720	103	109	170	171	172	177				
730	150	151	152	153	154	155	156	157	158	159
735	160	161	162	163	164	165	167			
750	080	081	084	139	190	191	192	193	194	
752	178	179	182	183	184	185	186	187	188	
755	006	008	009							
756	007									
765	290	299								
770	293	296								
775	290	291	292	295	297	298				
780	512	513	501	502	570	571	572	573	574	575
785	320	321	322	323						
790	370	371	372	304	385					
800	373	374	376	377	378	379				
805	729	770	771	772	773	774	775	776	777	778

27-38

PREPARED BY SEP 24

AFMTC FOUR YEAR SCHOLARSHIP PROGRAM
DETACHMENT TABLE REPORT BY DETACHMENTS
CUMUS DETACHMENTS

PCN UP009-004

DETACHMENT ZIP CODES (107 3)

81	733	745	788	787
82	741	743	742	743
83	746	747	749	747
84	747	754	755	752
85	754	750	752	753
86	762	761	764	763
87	751	757	760	761
88	766	769	795	796
89	801	804		
90	840	845	846	847
91	846	847	846	849
92	832	833	834	835
93	836	837	836	839
94	842	843	842	843
95	854	855	857	
96	856	851	852	853
97	858	858	858	858
98	841	841	842	843
99	845	843	843	846
100	846	847	846	849
101	849	848	848	849
102	850	850	850	850
103	851	851	851	851
104	852	852	852	852
105	853	853	853	853
106	854	854	854	854
107	855	855	855	855
108	856	856	856	856
109	857	857	857	857
110	858	858	858	858
111	859	859	859	859
112	860	860	860	860
113	861	861	861	861
114	862	862	862	862
115	863	863	863	863
116	864	864	864	864
117	865	865	865	865
118	866	866	866	866
119	867	867	867	867
120	868	868	868	868
121	869	869	869	869
122	870	870	870	870
123	871	871	871	871
124	872	872	872	872
125	873	873	873	873
126	874	874	874	874
127	875	875	875	875
128	876	876	876	876
129	877	877	877	877
130	878	878	878	878
131	879	879	879	879
132	880	880	880	880
133	881	881	881	881
134	882	882	882	882
135	883	883	883	883
136	884	884	884	884
137	885	885	885	885
138	886	886	886	886
139	887	887	887	887
140	888	888	888	888
141	889	889	889	889
142	890	890	890	890
143	891	891	891	891
144	892	892	892	892
145	893	893	893	893
146	894	894	894	894
147	895	895	895	895
148	896	896	896	896
149	897	897	897	897
150	898	898	898	898
151	899	899	899	899
152	900	900	900	900
153	901	901	901	901
154	902	902	902	902
155	903	903	903	903
156	904	904	904	904
157	905	905	905	905
158	906	906	906	906
159	907	907	907	907
160	908	908	908	908
161	909	909	909	909
162	910	910	910	910
163	911	911	911	911
164	912	912	912	912
165	913	913	913	913
166	914	914	914	914
167	915	915	915	915
168	916	916	916	916
169	917	917	917	917
170	918	918	918	918
171	919	919	919	919
172	920	920	920	920
173	921	921	921	921
174	922	922	922	922
175	923	923	923	923
176	924	924	924	924
177	925	925	925	925
178	926	926	926	926
179	927	927	927	927
180	928	928	928	928
181	929	929	929	929
182	930	930	930	930
183	931	931	931	931
184	932	932	932	932
185	933	933	933	933
186	934	934	934	934
187	935	935	935	935
188	936	936	936	936
189	937	937	937	937
190	938	938	938	938
191	939	939	939	939
192	940	940	940	940
193	941	941	941	941
194	942	942	942	942
195	943	943	943	943
196	944	944	944	944
197	945	945	945	945
198	946	946	946	946
199	947	947	947	947
200	948	948	948	948
201	949	949	949	949
202	950	950	950	950
203	951	951	951	951
204	952	952	952	952
205	953	953	953	953
206	954	954	954	954
207	955	955	955	955
208	956	956	956	956
209	957	957	957	957
210	958	958	958	958
211	959	959	959	959
212	960	960	960	960
213	961	961	961	961
214	962	962	962	962
215	963	963	963	963
216	964	964	964	964
217	965	965	965	965
218	966	966	966	966
219	967	967	967	967
220	968	968	968	968
221	969	969	969	969
222	970	970	970	970
223	971	971	971	971
224	972	972	972	972
225	973	973	973	973
226	974	974	974	974
227	975	975	975	975
228	976	976	976	976
229	977	977	977	977
230	978	978	978	978
231	979	979	979	979
232	980	980	980	980
233	981	981	981	981
234	982	982	982	982
235	983	983	983	983
236	984	984	984	984
237	985	985	985	985
238	986	986	986	986
239	987	987	987	987
240	988	988	988	988
241	989	989	989	989
242	990	990	990	990
243	991	991	991	991
244	992	992	992	992
245	993	993	993	993
246	994	994	994	994
247	995	995	995	995
248	996	996	996	996
249	997	997	997	997
250	998	998	998	998
251	999	999	999	999
252	1000	1000	1000	1000

27-39

PCN UP009-004

PAGE 007

SPJTC FOUR YEAR SCHOLARSHIP PROGRAM
DETACHMENT TABLE REPORT BY DETACHMENTS

DETACHMENT ZIP CODES (LIST 7)

915	247	248	249	250	251	252	253	254	255	256	257	258	259	260	261	262	263	264
	265	266	267	268	269													
525	529	530	531	532	533	534	535	536	537	538	539	540	541	542	543	544	545	546
547	548	549	550	551	552	553	554	555	556	557	558	559	560	561	562	563	564	565
566	567	568	569	570	571	572	573	574	575	576	577	578	579	580	581	582	583	584
585	586	587	588	589	590	591	592	593	594	595	596	597	598	599	600	601	602	603
604	605	606	607	608	609	610	611	612	613	614	615	616	617	618	619	620	621	622
623	624	625	626	627	628	629	630	631	632	633	634	635	636	637	638	639	640	641
642	643	644	645	646	647	648	649	650	651	652	653	654	655	656	657	658	659	660
661	662	663	664	665	666	667	668	669	670	671	672	673	674	675	676	677	678	679
680	681	682	683	684	685	686	687	688	689	690	691	692	693	694	695	696	697	698
699	700	701	702	703	704	705	706	707	708	709	710	711	712	713	714	715	716	717
718	719	720	721	722	723	724	725	726	727	728	729	730	731	732	733	734	735	736
737	738	739	740	741	742	743	744	745	746	747	748	749	750	751	752	753	754	755
756	757	758	759	760	761	762	763	764	765	766	767	768	769	770	771	772	773	774
775	776	777	778	779	780	781	782	783	784	785	786	787	788	789	790	791	792	793
794	795	796	797	798	799	800	801	802	803	804	805	806	807	808	809	810	811	812
813	814	815	816	817	818	819	820	821	822	823	824	825	826	827	828	829	830	831
832	833	834	835	836	837	838	839	840	841	842	843	844	845	846	847	848	849	850
851	852	853	854	855	856	857	858	859	860	861	862	863	864	865	866	867	868	869
870	871	872	873	874	875	876	877	878	879	880	881	882	883	884	885	886	887	888
889	890	891	892	893	894	895	896	897	898	899	900	901	902	903	904	905	906	907
908	909	910	911	912	913	914	915	916	917	918	919	920	921	922	923	924	925	926
927	928	929	930	931	932	933	934	935	936	937	938	939	940	941	942	943	944	945
946	947	948	949	950	951	952	953	954	955	956	957	958	959	960	961	962	963	964
965	966	967	968	969	970	971	972	973	974	975	976	977	978	979	980	981	982	983
984	985	986	987	988	989	990	991	992	993	994	995	996	997	998	999	1000		

AFPC JTC 2004 YEAR SCHOLARSHIP PROGRAM
ATTACHMENT IABLE REPORT BY DETACHMENTS
EUROPE DETACHMENTS

DETACHMENT ZIP CODES

ASPC 09233
 EUCY 09123
 EUNY 09755
 EUSA 09132
 EUCO 09001 09002 09161 09240 09521 09522
 EUCI 09031 09047 09050 09053 09061 09066 09068 09070 09074 09078 09093 09103 09107 09108 09114 09128 09131 09137
 09139 09140 09141 09142 09144 09156 09160 09172 09177 09178 09184 09245 09277 09407 09411 09456 09801 09807
 EUCS 09013 09060 09149 09174 09319 09523 09526 09527 09528 09529 09530 09531 09664 09670 09684 09688 09693 09862 09873
 09880 09892
 FECE 09611 09742
 FFFF 09055 09068
 GOLF 09667
 FIRM 09525
 I111 09004 09025 09026 09029 09035 09036 09165 09220 09326 09330 09332 09333 09351 09352 09353 09360 09403 09451
 09633 09677 09701
 J000 09019 09033 09045 09046 09049 09061 09146 09162 09165 09166 09168 09169 09171 09173 09175 09176 09221 09261
 09457 09520 09524 09666 09674 09689 09692 09696 09702 09743 09751 09794
 J005 09101 09102 09109
 K000 09571
 L000 09527 09504 09505 09676 09805 09807 09809 09871 09875 09879 09881 09883 09885 09887 09889 09891 09893 09895
 09899
 L005 09020 09825 09826 09827 09829 09832 09834 09837
 L006 09051 09224 09269 09294 09324

27-42

AFRIC FOUR YEAR SCHOLARSHIP PROGRAM
DETACHMENT TABLE REPORT BY DETACHMENTS
EUROPE DETACHMENTS

ZIP CODES

09202	09202	09230
09406		
09023	09048	09120 09121 09125 09127 09150 09179 09193 09210 09218 09378 09501 09502 09505 09510 09511 09512
09515	09516	09518 09537 09598 09607 09659
09669		
09000	09133	09254 09320 09360
09551	09551	09552 09553 09554 09555 09556 09558 09559 09560 09593 09845 09A51
09009	09012	09021 09030 09050 09054 09058 09059 09067 09180 09189 09227 09322 09325
09026	09039	09057 09079 09082 09086 09090 09091 09095 09098 09099 09168 09710 09757
09159	09292	
09011	09111	09130 09252 09305
09155		
09202	09203	09204 09205 09286 09401 09405 09540 09544 09546 09678
09075	09194	
09170	09270	
09513	09514	
09038	09616	
09672	09697	
09777		
09052	09080	09138 09880 09872

27-43

PRE 05 SEP 84

AFMOTC FOUR YEAR SCHOLARSHIP PROGRAM
DETACHEMENT TABLE REPORT BY DETACHEMENTS
EUROPE DETACHEMENTS

PCN UP909-604

DETACHEMENT ZIP CODES

2774 09652

PCN 09030000

PAGE 012

27-44

**DESIGNEE DEMOGRAPHIC STATISTICS
TOTAL: 40**

DS-1 GENDER

(DIN 9) MALES: 20/50%

FEMALES: 20/50%

DS-2 ETHNIC GROUP

(DIN 11)	ALEUT :	CHINESE :	KOREAN :
	AMERICAN INDIAN:	CUBAN : 5/12%	MEXICAN AMERICAN: 5/12%
	ASIAN AMERICAN :	ESKIMO :	PUERTO RICAN :
	BLACK : 10/25%	FILIPINO :	SPANISH :
	CAUCASIAN : 20/50%	JAPANESE:	OTHER :

DS-3 GPA MIN: 2.5
MAX: 4.0
(DIN 34) MEAN: 3.5
MODE: 3.7
SD: .873

DS-4 CLASS RANK MIN: 65.7
MAX: 99.9
(DIN 38) MEAN: 90.1
MODE: 91.3
SD: 5.7

DESIGNEE DEMOGRAPHIC STATISTICS - 2

DS-5 SAT -30

TOTAL MIN: 1080
MAX: 1540
(DIN 24, 25, 27) MEAN: 1250
MODE: 1250
SD: 93.1

MATH MIN: 550
MAX: 750
MEAN: 600
MODE: 610
SD: 87.3

VERBAL MIN: 530
MAX: 790
MEAN: 650
MODE: 650
SD: 85.7

DS-6 ACT -10

COMP MIN: 23
MAX: 30
(DIN 24, 25, 27) MEAN: 27
MODE: 28
SD: 1.67

MATH MIN: 21
MAX: 31
MEAN: 27
MODE: 28
SD: 1.78

ENGLISH MIN: 19
MAX: 30
MEAN: 25
MODE: 26
SD: 1.77

DS-7 ACADEMIC HONORS: 4YRS 3YRS 20 2YRS 20 1YR

(DIN 52 & 53) NATL HONOR SOCIETY: 20/100% 15/75%

ALL OTHERS: 5/25%

(NOTE: ONLY ONE HONOR FOR A GIVEN GRADE COUNTS. IF MORE THAN ONE IS MARKED FOR THE SAME YEAR, NATL HONOR SOCIETY TAKES PRECEDENCE.)

ARMY FOUR YEAR SCHOLARSHIP PROGRAM
DETACHMENT TABLE REPORT BY DETACHMENTS
PACIFIC DETACHMENTS

DETACHMENT ZIP CODE

LEWIS 96230 96235 96239 96244 96367

LEWIS 96201 96204

LEWIS 96212 96213 96219 96224 96231 96251 96259 96264 96271 96276 96335 96359 96460 96571

PERCY 96319

PERCY 96236 96203 96206 96290 96293 96340 96360 96455

PERCY 96310

S. YU 96220 96301 96302 96324 96455 96570

UYLP 96245 96272 96305 96315 96322 96330 96346 96409 96421 96442 96468

X. P. 96304

Z. TH. 96237 96352 96366

Z. TH. 96232 96430

Z. TH. 96202 96209 96210 96211 96207 96270 96281 96299 96323 96328 96336 96338 96343 96370 96436 96437 96502 96503
96504 96516 96519 96525 96594 96700 96701 96702 96704 96705 96766 96767 96768 96769 96770 96772 96773

PCN UP909-40A

PAGE 014

DESIGNEE DEMOGRAPHIC STATISTICS - 3

DS-8 SCHOOL OFFICES 38/95% (DIN 42)

STUDENT COUNCIL-20/50% CLASS OFFICER-27/67% SCHOOL CLUB-37/92%

	9	10	11	12	9	10	11	12	9	10	11	12
PRESIDENT :			1	3	3	5	6	7	3	6	7	9
VICE PRESIDENT :			3	2	1	1	1	3	4	5	7	10
SECRETARY :		4	3	2		1	2	3	1	3	7	6
TREASURER :	2	1	2	4		1	1	5	1	3	7	6
REPRESENTATIVE :	4	3	5	5					1	2	9	6

DS-9 MUSIC ACHIEVEMENTS 20/50% (DIN 44)

ORCHESTRA - 10/50%

BAND - 15/75%

CHORUS - 5/25%

	9	10	11	12	9	10	11	12	9	10	11	12
STATE RECOG:			1				3					
DIRECTOR :			1								1	
LEADER :							1					
MEMBER :	1	3	10	1	6	7	13	2	1	2	4	1
DRUM MAJOR:							1					

DS-10 JROTC 10/25% (DIN 55 & 58)

AIR FORCE: 8/80% ARMY: 1/10% NAVY: 1/10% MARINE OTHER

DESIGNEE DEMOGRAPHIC STATISTICS - 4

DS-11 PUB. EXPERIENCE 10/25% (DIN 46)

SCHOOL PAPER 8/80%

YEARBOOK 2/20%

	9	10	11	12	9	10	11	12
EDITOR :			2				1	
BUS. MGR. :			2					
CIRC. MGR. :		1						
AD. MGR. :			1				1	
FEATURE ED.:			1	1				
PHOTO ED :	1	1	2	1			1	

DS-12 ORGANIZATIONS 10/25% (DIN 48)

NATIONAL 2/20%

STATE 5/50%

DISTRICT 10/100%

	9	10	11	12	9	10	11	12	9	10	11	12
PRES/BOV :							1				2	
VP/LT BOV :							1				3	
SEC/TREAS:											2	
DEL/REP :		2					3		2	3	3	

DS-13 SCOUTS 20/50% (DIN 50)

BOY SCOUTS 10/50%

GIRL SCOUTS 10/50%

EAGLE 5/50%

GOLD 3/30%

OTHER 5/50%

OTHER 7/70%

DESIGNEE DEMOGRAPHIC STATISTICS - 5

DS-12 DRAMA EXPERIENCE: 5/12% (DIN 60) DS-13 PAID WORK: 10/25% (DIN 62)

	9 10 11 12		9 10 11 12
DIRECTOR :		9HRS OR LESS:	2 2
ACTOR :	1 3	10-15 HRS :	1 3
WRITER :		16-20 HRS :	5
STAGE HAND:	1 1	21 OR MORE :	

DS-14 PUBLIC SPEAKING: 2/5% (DIN 66) DS-15 PILOT/RADIO EXP.: 1/2% (DIN 64)

	9 10 11 12	
DEBATE :		PRIVATE PILOT:
NON/SPEECH:	1	COMM. PILOT :
M/C :		RADIO OPER. : 1

DS-16 SPORTS: (DIN 68-87)

	9 10 11 12	TOTAL
PARTICIPANT:	17 20 45 39	39/98%
Varsity :	1 14 30	30/75%
TEAM CAPT. :	3	3/7%
REC. HOLD. :		
ALL CITY :		
ALL STATE :		
STU. MGR. :	1 1 1	1/2%

-
- NOTE: - FIVE-PAGE DEMOGRAPHIC STATISTIC PACKAGE TABULATED FOR THE FOLLOWING: N, C, I, T, Q, S, L, U, A, D, M STATUSES, QEP APPLICANTS AND JROTC ENGINEERING SCHOLARSHIP WINNERS AND THE TOTAL APPLICANT POOL.**
- THE MENU WILL ALLOW THE OPERATOR TO REQUEST STATISTICS BY STATUS/QEP OR STATUS/QEP AND PAGE.
 - THE OPERATOR CAN PRINT PART OR ALL OF STATISTICAL PACKAGE OR SELECT PART (DS-XX) OF ONE PACKAGE (S-DS-16) AND PART OF ANOTHER (A-DS-16) AND HAVE THEM PRINT ONE ABOVE THE OTHER FOR COMPARISON.

**CUMULATIVE STATISTICAL PACKAGE
DATE COMPUTED**

CS-1 DISQUALIFICATION CAUSE SUMMARY

NOTE: -Disqualification codes at ATCH 3 listed in this summary and form a matrix with the following areas: total, males, females, and each of the ethnic groups listed in DIN 11.
- Subtotal the number of individuals disqualified for 2, 3, 4, 5, or more causes.

CS -2 SCHOLARSHIP AWARDS

SCHOLARSHIP (142)	TOTAL OFFER	MED QUALIFIED	SELECTEES	MALES	FEMALES
	(DIN 1/T,Q,S)	(DIN 1/Q)	(DIN 1/S)	(DIN 9)	
4IYY					
4A,B,EYY					
4H,M,L,Q,D,T,NYY					
4WYY					
0CYY					
6YY					
8HYY					
8FY					
2CAY					
1AYY, 1AJY					
1AAY					
9BYY					
9DYY					
000P					
000N					
000M					

NOTE: CAPABILITY SHOULD EXIST THAT THE FYSP BRANCH CHIEF SHOULD BE ABLE TO ADD OR DELETE A SCHOLARSHIP CODE FROM THIS TABLE FROM HIS/HER TERMINAL.

CS-3

FYSP APPLICANT STATUS
DATE OF REPORT: 6MAY86

STATUS: (DIN 1)	THIS CYCLE (QEP)+	LAST CYCLE (QEP)=	DIFFERENCE
NOMINEE(N)			
CANDIDATE(C)			
INCOMPLETE(I)			
TENTATIVE(T)			
MED. QUALIFIED(Q)			
SELECTEES(S)			
DESIGNEE TOTAL	_____ ()	_____ ()	_____
LISTEES(L)			
UNKNOWN(U)			
ALTERNATE(A)	_____ ()	_____ ()	_____
ALTERNATE TOTAL	_____ ()	_____ ()	_____
DISQUALIFIED(D)			
MED. DISQ.(M)	_____ ()	_____ ()	_____
TOTAL DROPPED	_____ ()	_____ ()	_____
TOTAL APPLICANTS	_____ ()	_____ ()	_____

STATUS *
STATUS W

NOTE: PARENTHESES INDICATE QEP APPLICANTS OF THAT GROUP.

GS-4

INTERVIEW RATINGS BY ADMIN UNIT

ADMIN UNIT	MEAN RATING	TOTAL DONE	NUMBER OF EACH RATING AWARDED (AND PERCENT OF TOTAL)				
			5	4	3	2	1
730	3.6	47	11 (23%)	19 (40%)	14 (30%)	3 (6%)	()
745	4.3	18	9 (50%)	6 (33%)	3 (17%)	()	()
750	3.7	29	9 (31%)	8 (28%)	9 (31%)	1 (3%)	2 (7%)
752	3.5	11	1 (9%)	5 (45%)	3 (27%)	2 (18%)	()
755	5.0	1	1 (100%)	()	()	()	()
765	4.6	4	3 (75%)	1 (25%)	()	()	()
770	4.3	11	4 (36%)	6 (55%)	1 (9%)	()	()
775	3.6	11	4 (36%)	2 (18%)	4 (36%)	1 (9%)	()
780	4.2	12	5 (42%)	5 (42%)	1 (8%)	1 (8%)	()
785	4.1	10	3 (30%)	6 (60%)	()	1 (10%)	()
790	4.0	4	1 (25%)	2 (50%)	1 (25%)	()	()
800	4.1	12	3 (25%)	7 (58%)	2 (17%)	()	()
805	3.7	7	1 (14%)	3 (43%)	3 (43%)	()	()
820	3.0	1	()	()	1 (100%)	()	()
835	4.2	5	2 (40%)	2 (40%)	1 (20%)	()	()
840	4.2	5	2 (40%)	2 (40%)	1 (20%)	()	()
840A	4.1	9	3 (33%)	4 (44%)	2 (22%)	()	()
845	3.6	5	3 (60%)	()	1 (20%)	()	1 (20%)
850	4.4	7	3 (43%)	4 (57%)	()	()	()
855	4.0	7	4 (57%)	3 (43%)	()	()	()
860	3.0	8	3 (38%)	()	5 (63%)	()	()
865	3.3	4	()	1 (25%)	3 (75%)	()	()
875	4.3	3	1 (33%)	2 (67%)	()	()	()
880	3.2	6	1 (17%)	2 (33%)	1 (17%)	1 (17%)	1 (17%)
890	3.4	24	8 (33%)	9 (38%)	3 (13%)	4 (17%)	()
895	4.6	3	()	3 (100%)	()	()	()
900	3.4	18	7 (39%)	4 (22%)	6 (33%)	1 (6%)	()
905	4.3	4	1 (25%)	3 (75%)	()	()	()
910	3.0	4	1 (25%)	()	1 (25%)	2 (50%)	()
915	4.0	2	1 (50%)	()	1 (50%)	()	()
925	4.0	22	5 (23%)	11 (50%)	6 (27%)	()	()
940	3.8	5	()	4 (80%)	1 (20%)	()	()
AEUY	4.7	3	2 (67%)	1 (33%)	()	()	()
ADDD	4.0	1	()	1 (100%)	()	()	()
DDVA	3.0	1	()	()	1 (100%)	()	()
IIII	3.0	3	3 (100%)	()	()	()	()
TYFN	4.6	6	5 (83%)	1 (17%)	()	()	()
UDMT	3.0	2	2 (100%)	()	()	()	()
UUUU	3.0	1	1 (100%)	()	()	()	()
XGUT	3.0	1	1 (100%)	()	()	()	()
ZSTG	4.0	1	()	1 (100%)	()	()	()
TOTAL	4.00	1464	478 (34.0%)	531 (37.0%)	321 (22.9%)	60 (4.3%)	14 (1.0%)

SAT RECORDS CONTROL ROSTER - 1

SSAN (DIN 2/9)	NAME (DIN 3/27)	Page Number
---------------------------------	----------------------------------	--------------------

NOTE: - This roster will list all candidates by Alpha who took the SAT test.
- Double space so only 15-20 names are printed on a page.
- Print on 8 1/2 x 11 paper in two copies.

ACT RECORDS CONTROL ROSTER - 1

SSAN (DIN 2/9)	NAME (DIN 3/27)	Page Number
---------------------------------	----------------------------------	--------------------

NOTE: - This roster will list all candidates by Alpha who took the ACT test.
- Double space so only 15-20 names print on a page.
- Print on 8 1/2 x 11 paper two copies.

APPLICANT INFORMATION SHEET

SSAN: 123456789 **NAME:** Johnny J. Jones **SEX:** M **ETHN:** C **QEP:**

ACAD CHOICE: 4IYY, 4BY Y

CLASS SIZE: 953 **RANK:** 3 **%:** 99 **GPA:** 3.9 **SAT TOTAL** 1250 **MATH** 650 **VERB** 600

ACADEMIC HONORS: Hon Roll 10, 11 Not Hon Soc 11

SCHOOL OFFICES: Rep Stud Coun 10, V.P. Stud Coun 11, Class Treas 10, Class V.P. 11, Sch Club
Pres 10, 11

ORGANIZATIONS: Nat Del 11, State V.P. 11, Dist P 10, 11

MUSIC ACHIEVEMENT: Mem Orch 10, 11, Mem Band 10, Drum Major Band 11, Mem Choir 10, 11

BOY/GIRL SCOUTS: Life

PUB. EXPERIENCE: Circ. Mgr Sch Paper 10, Feature Ed Sch Paper 11, Ad Mgr Yearbook 10, 11

HIGH SCH MIL ORG: AFROTC - 10, 11 - Lt. Col.

DRAMA EXP: Stage Hand 10, Actor 11

PUBLIC APPEAR: Master of Cerem 10, 11

PAID WORK: 10-15 HRS - 11

PILOT/RADIO EXP: Private Pilot, Radio OPR.

SPORTS: Letter Baseball 10, 11, Football 10, Team Cap Football 11, Track State Record 10,
All-State 11.

PERSONAL CHARACTERISTICS AVERAGE RATED BY 4 TEACHERS.

Motivation: 4.6 **INDUSTRY:** 4.9 **INITIATIVE:** 5.0 **INFLUENCE/LEAD:** 5.0

CONCERN OTHERS: 4.9 **RESPONSIBILITY:** 4.9 **INTEGRITY:** 4.0

EMOTIONALLY STABLE: 4.0 **COMM SKILLS:** 5.0

STANDARD ANSWER SHEET

PRIVACY ACT STATEMENT

STATUTORY AUTHORITY: 10-USC-8012; 10-USC-2102, EO 9397, 22 Nov 43; **PRINCIPAL PURPOSES:** Student Evaluation and Document Control; **ROUTINE USES:** Test Scoring, Statistical Analysis, Social Security Account Number is used for Document Control; **DISCLOSURE:** Voluntary. Omission of Social Security Account Number or name may prevent posting answer sheet scores which are required for course completion.

NAME

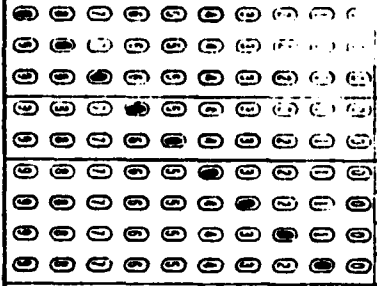
JOHN J. JONES

UNIT OR DETACHMENT

SCHOOL OR COURSE

MARKING INSTRUCTIONS

Use a number 2 pencil only. Do not use a ballpoint pen. Be sure you fill the space for your answer without going beyond the lines. If you wish to change an answer, be sure you erase your original answer. Do not bend, fold or mutilate. This form will be machine processed.

	9 8 7 6 5 4 3 2 1
SCHOOL CODE	
TEST NO.	

IDENTIFICATION AREA

RESPONSE AREA

T F	T F	T F	T F	T F
1 <input type="radio"/> <input type="radio"/> <input type="radio"/> <input type="radio"/> <input type="radio"/>	39 <input type="radio"/> <input type="radio"/> <input type="radio"/> <input type="radio"/> <input type="radio"/>	77 <input type="radio"/> <input type="radio"/> <input type="radio"/> <input type="radio"/> <input type="radio"/>	115 <input type="radio"/> <input type="radio"/> <input type="radio"/> <input type="radio"/> <input type="radio"/>	153 <input type="radio"/> <input type="radio"/> <input type="radio"/> <input type="radio"/> <input type="radio"/>
2 <input type="radio"/> <input type="radio"/> <input type="radio"/> <input type="radio"/> <input type="radio"/>	40 <input type="radio"/> <input type="radio"/> <input type="radio"/> <input type="radio"/> <input type="radio"/>	78 <input type="radio"/> <input type="radio"/> <input type="radio"/> <input type="radio"/> <input type="radio"/>	116 <input type="radio"/> <input type="radio"/> <input type="radio"/> <input type="radio"/> <input type="radio"/>	154 <input type="radio"/> <input type="radio"/> <input type="radio"/> <input type="radio"/> <input type="radio"/>
3 <input type="radio"/> <input type="radio"/> <input type="radio"/> <input type="radio"/> <input type="radio"/>	41 <input type="radio"/> <input type="radio"/> <input type="radio"/> <input type="radio"/> <input type="radio"/>	79 <input type="radio"/> <input type="radio"/> <input type="radio"/> <input type="radio"/> <input type="radio"/>	117 <input type="radio"/> <input type="radio"/> <input type="radio"/> <input type="radio"/> <input type="radio"/>	155 <input type="radio"/> <input type="radio"/> <input type="radio"/> <input type="radio"/> <input type="radio"/>
4 <input type="radio"/> <input type="radio"/> <input type="radio"/> <input type="radio"/> <input type="radio"/>	42 <input type="radio"/> <input type="radio"/> <input type="radio"/> <input type="radio"/> <input type="radio"/>	80 <input type="radio"/> <input type="radio"/> <input type="radio"/> <input type="radio"/> <input type="radio"/>	118 <input type="radio"/> <input type="radio"/> <input type="radio"/> <input type="radio"/> <input type="radio"/>	156 <input type="radio"/> <input type="radio"/> <input type="radio"/> <input type="radio"/> <input type="radio"/>
5 <input type="radio"/> <input type="radio"/> <input type="radio"/> <input type="radio"/> <input type="radio"/>	43 <input type="radio"/> <input type="radio"/> <input type="radio"/> <input type="radio"/> <input type="radio"/>	81 <input type="radio"/> <input type="radio"/> <input type="radio"/> <input type="radio"/> <input type="radio"/>	119 <input type="radio"/> <input type="radio"/> <input type="radio"/> <input type="radio"/> <input type="radio"/>	157 <input type="radio"/> <input type="radio"/> <input type="radio"/> <input type="radio"/> <input type="radio"/>
6 <input type="radio"/> <input type="radio"/> <input type="radio"/> <input type="radio"/> <input type="radio"/>	44 <input type="radio"/> <input type="radio"/> <input type="radio"/> <input type="radio"/> <input type="radio"/>	82 <input type="radio"/> <input type="radio"/> <input type="radio"/> <input type="radio"/> <input type="radio"/>	120 <input type="radio"/> <input type="radio"/> <input type="radio"/> <input type="radio"/> <input type="radio"/>	158 <input type="radio"/> <input type="radio"/> <input type="radio"/> <input type="radio"/> <input type="radio"/>
7 <input type="radio"/> <input type="radio"/> <input type="radio"/> <input type="radio"/> <input type="radio"/>	45 <input type="radio"/> <input type="radio"/> <input type="radio"/> <input type="radio"/> <input type="radio"/>	83 <input type="radio"/> <input type="radio"/> <input type="radio"/> <input type="radio"/> <input type="radio"/>	121 <input type="radio"/> <input type="radio"/> <input type="radio"/> <input type="radio"/> <input type="radio"/>	159 <input type="radio"/> <input type="radio"/> <input type="radio"/> <input type="radio"/> <input type="radio"/>
8 <input type="radio"/> <input type="radio"/> <input type="radio"/> <input type="radio"/> <input type="radio"/>	46 <input type="radio"/> <input type="radio"/> <input type="radio"/> <input type="radio"/> <input type="radio"/>	84 <input type="radio"/> <input type="radio"/> <input type="radio"/> <input type="radio"/> <input type="radio"/>	122 <input type="radio"/> <input type="radio"/> <input type="radio"/> <input type="radio"/> <input type="radio"/>	160 <input type="radio"/> <input type="radio"/> <input type="radio"/> <input type="radio"/> <input type="radio"/>
9 <input type="radio"/> <input type="radio"/> <input type="radio"/> <input type="radio"/> <input type="radio"/>	47 <input type="radio"/> <input type="radio"/> <input type="radio"/> <input type="radio"/> <input type="radio"/>	85 <input type="radio"/> <input type="radio"/> <input type="radio"/> <input type="radio"/> <input type="radio"/>	123 <input type="radio"/> <input type="radio"/> <input type="radio"/> <input type="radio"/> <input type="radio"/>	161 <input type="radio"/> <input type="radio"/> <input type="radio"/> <input type="radio"/> <input type="radio"/>
10 <input type="radio"/> <input type="radio"/> <input type="radio"/> <input type="radio"/> <input type="radio"/>	48 <input type="radio"/> <input type="radio"/> <input type="radio"/> <input type="radio"/> <input type="radio"/>	86 <input type="radio"/> <input type="radio"/> <input type="radio"/> <input type="radio"/> <input type="radio"/>	124 <input type="radio"/> <input type="radio"/> <input type="radio"/> <input type="radio"/> <input type="radio"/>	162 <input type="radio"/> <input type="radio"/> <input type="radio"/> <input type="radio"/> <input type="radio"/>
11 <input type="radio"/> <input type="radio"/> <input type="radio"/> <input type="radio"/> <input type="radio"/>	49 <input type="radio"/> <input type="radio"/> <input type="radio"/> <input type="radio"/> <input type="radio"/>	87 <input type="radio"/> <input type="radio"/> <input type="radio"/> <input type="radio"/> <input type="radio"/>	125 <input type="radio"/> <input type="radio"/> <input type="radio"/> <input type="radio"/> <input type="radio"/>	163 <input type="radio"/> <input type="radio"/> <input type="radio"/> <input type="radio"/> <input type="radio"/>
12 <input type="radio"/> <input type="radio"/> <input type="radio"/> <input type="radio"/> <input type="radio"/>	50 <input type="radio"/> <input type="radio"/> <input type="radio"/> <input type="radio"/> <input type="radio"/>	88 <input type="radio"/> <input type="radio"/> <input type="radio"/> <input type="radio"/> <input type="radio"/>	126 <input type="radio"/> <input type="radio"/> <input type="radio"/> <input type="radio"/> <input type="radio"/>	164 <input type="radio"/> <input type="radio"/> <input type="radio"/> <input type="radio"/> <input type="radio"/>
13 <input type="radio"/> <input type="radio"/> <input type="radio"/> <input type="radio"/> <input type="radio"/>	51 <input type="radio"/> <input type="radio"/> <input type="radio"/> <input type="radio"/> <input type="radio"/>	89 <input type="radio"/> <input type="radio"/> <input type="radio"/> <input type="radio"/> <input type="radio"/>	127 <input type="radio"/> <input type="radio"/> <input type="radio"/> <input type="radio"/> <input type="radio"/>	165 <input type="radio"/> <input type="radio"/> <input type="radio"/> <input type="radio"/> <input type="radio"/>
14 <input type="radio"/> <input type="radio"/> <input type="radio"/> <input type="radio"/> <input type="radio"/>	52 <input type="radio"/> <input type="radio"/> <input type="radio"/> <input type="radio"/> <input type="radio"/>	90 <input type="radio"/> <input type="radio"/> <input type="radio"/> <input type="radio"/> <input type="radio"/>	128 <input type="radio"/> <input type="radio"/> <input type="radio"/> <input type="radio"/> <input type="radio"/>	166 <input type="radio"/> <input type="radio"/> <input type="radio"/> <input type="radio"/> <input type="radio"/>
15 <input type="radio"/> <input type="radio"/> <input type="radio"/> <input type="radio"/> <input type="radio"/>	53 <input type="radio"/> <input type="radio"/> <input type="radio"/> <input type="radio"/> <input type="radio"/>	91 <input type="radio"/> <input type="radio"/> <input type="radio"/> <input type="radio"/> <input type="radio"/>	129 <input type="radio"/> <input type="radio"/> <input type="radio"/> <input type="radio"/> <input type="radio"/>	167 <input type="radio"/> <input type="radio"/> <input type="radio"/> <input type="radio"/> <input type="radio"/>
16 <input type="radio"/> <input type="radio"/> <input type="radio"/> <input type="radio"/> <input type="radio"/>	54 <input type="radio"/> <input type="radio"/> <input type="radio"/> <input type="radio"/> <input type="radio"/>	92 <input type="radio"/> <input type="radio"/> <input type="radio"/> <input type="radio"/> <input type="radio"/>	130 <input type="radio"/> <input type="radio"/> <input type="radio"/> <input type="radio"/> <input type="radio"/>	168 <input type="radio"/> <input type="radio"/> <input type="radio"/> <input type="radio"/> <input type="radio"/>
17 <input type="radio"/> <input type="radio"/> <input type="radio"/> <input type="radio"/> <input type="radio"/>	55 <input type="radio"/> <input type="radio"/> <input type="radio"/> <input type="radio"/> <input type="radio"/>	93 <input type="radio"/> <input type="radio"/> <input type="radio"/> <input type="radio"/> <input type="radio"/>	131 <input type="radio"/> <input type="radio"/> <input type="radio"/> <input type="radio"/> <input type="radio"/>	169 <input type="radio"/> <input type="radio"/> <input type="radio"/> <input type="radio"/> <input type="radio"/>
18 <input type="radio"/> <input type="radio"/> <input type="radio"/> <input type="radio"/> <input type="radio"/>	56 <input type="radio"/> <input type="radio"/> <input type="radio"/> <input type="radio"/> <input type="radio"/>	94 <input type="radio"/> <input type="radio"/> <input type="radio"/> <input type="radio"/> <input type="radio"/>	132 <input type="radio"/> <input type="radio"/> <input type="radio"/> <input type="radio"/> <input type="radio"/>	170 <input type="radio"/> <input type="radio"/> <input type="radio"/> <input type="radio"/> <input type="radio"/>
19 <input type="radio"/> <input type="radio"/> <input type="radio"/> <input type="radio"/> <input type="radio"/>	57 <input type="radio"/> <input type="radio"/> <input type="radio"/> <input type="radio"/> <input type="radio"/>	95 <input type="radio"/> <input type="radio"/> <input type="radio"/> <input type="radio"/> <input type="radio"/>	133 <input type="radio"/> <input type="radio"/> <input type="radio"/> <input type="radio"/> <input type="radio"/>	171 <input type="radio"/> <input type="radio"/> <input type="radio"/> <input type="radio"/> <input type="radio"/>
20 <input type="radio"/> <input type="radio"/> <input type="radio"/> <input type="radio"/> <input type="radio"/>	58 <input type="radio"/> <input type="radio"/> <input type="radio"/> <input type="radio"/> <input type="radio"/>	96 <input type="radio"/> <input type="radio"/> <input type="radio"/> <input type="radio"/> <input type="radio"/>	134 <input type="radio"/> <input type="radio"/> <input type="radio"/> <input type="radio"/> <input type="radio"/>	172 <input type="radio"/> <input type="radio"/> <input type="radio"/> <input type="radio"/> <input type="radio"/>
21 <input type="radio"/> <input type="radio"/> <input type="radio"/> <input type="radio"/> <input type="radio"/>	59 <input type="radio"/> <input type="radio"/> <input type="radio"/> <input type="radio"/> <input type="radio"/>	97 <input type="radio"/> <input type="radio"/> <input type="radio"/> <input type="radio"/> <input type="radio"/>	135 <input type="radio"/> <input type="radio"/> <input type="radio"/> <input type="radio"/> <input type="radio"/>	173 <input type="radio"/> <input type="radio"/> <input type="radio"/> <input type="radio"/> <input type="radio"/>
22 <input type="radio"/> <input type="radio"/> <input type="radio"/> <input type="radio"/> <input type="radio"/>	60 <input type="radio"/> <input type="radio"/> <input type="radio"/> <input type="radio"/> <input type="radio"/>	98 <input type="radio"/> <input type="radio"/> <input type="radio"/> <input type="radio"/> <input type="radio"/>	136 <input type="radio"/> <input type="radio"/> <input type="radio"/> <input type="radio"/> <input type="radio"/>	174 <input type="radio"/> <input type="radio"/> <input type="radio"/> <input type="radio"/> <input type="radio"/>
23 <input type="radio"/> <input type="radio"/> <input type="radio"/> <input type="radio"/> <input type="radio"/>	61 <input type="radio"/> <input type="radio"/> <input type="radio"/> <input type="radio"/> <input type="radio"/>	99 <input type="radio"/> <input type="radio"/> <input type="radio"/> <input type="radio"/> <input type="radio"/>	137 <input type="radio"/> <input type="radio"/> <input type="radio"/> <input type="radio"/> <input type="radio"/>	175 <input type="radio"/> <input type="radio"/> <input type="radio"/> <input type="radio"/> <input type="radio"/>
24 <input type="radio"/> <input type="radio"/> <input type="radio"/> <input type="radio"/> <input type="radio"/>	62 <input type="radio"/> <input type="radio"/> <input type="radio"/> <input type="radio"/> <input type="radio"/>	100 <input type="radio"/> <input type="radio"/> <input type="radio"/> <input type="radio"/> <input type="radio"/>	138 <input type="radio"/> <input type="radio"/> <input type="radio"/> <input type="radio"/> <input type="radio"/>	176 <input type="radio"/> <input type="radio"/> <input type="radio"/> <input type="radio"/> <input type="radio"/>
25 <input type="radio"/> <input type="radio"/> <input type="radio"/> <input type="radio"/> <input type="radio"/>	63 <input type="radio"/> <input type="radio"/> <input type="radio"/> <input type="radio"/> <input type="radio"/>	101 <input type="radio"/> <input type="radio"/> <input type="radio"/> <input type="radio"/> <input type="radio"/>	139 <input type="radio"/> <input type="radio"/> <input type="radio"/> <input type="radio"/> <input type="radio"/>	177 <input type="radio"/> <input type="radio"/> <input type="radio"/> <input type="radio"/> <input type="radio"/>
26 <input type="radio"/> <input type="radio"/> <input type="radio"/> <input type="radio"/> <input type="radio"/>	64 <input type="radio"/> <input type="radio"/> <input type="radio"/> <input type="radio"/> <input type="radio"/>	102 <input type="radio"/> <input type="radio"/> <input type="radio"/> <input type="radio"/> <input type="radio"/>	140 <input type="radio"/> <input type="radio"/> <input type="radio"/> <input type="radio"/> <input type="radio"/>	178 <input type="radio"/> <input type="radio"/> <input type="radio"/> <input type="radio"/> <input type="radio"/>
27 <input type="radio"/> <input type="radio"/> <input type="radio"/> <input type="radio"/> <input type="radio"/>	65 <input type="radio"/> <input type="radio"/> <input type="radio"/> <input type="radio"/> <input type="radio"/>	103 <input type="radio"/> <input type="radio"/> <input type="radio"/> <input type="radio"/> <input type="radio"/>	141 <input type="radio"/> <input type="radio"/> <input type="radio"/> <input type="radio"/> <input type="radio"/>	179 <input type="radio"/> <input type="radio"/> <input type="radio"/> <input type="radio"/> <input type="radio"/>
28 <input type="radio"/> <input type="radio"/> <input type="radio"/> <input type="radio"/> <input type="radio"/>	66 <input type="radio"/> <input type="radio"/> <input type="radio"/> <input type="radio"/> <input type="radio"/>	104 <input type="radio"/> <input type="radio"/> <input type="radio"/> <input type="radio"/> <input type="radio"/>	142 <input type="radio"/> <input type="radio"/> <input type="radio"/> <input type="radio"/> <input type="radio"/>	180 <input type="radio"/> <input type="radio"/> <input type="radio"/> <input type="radio"/> <input type="radio"/>
29 <input type="radio"/> <input type="radio"/> <input type="radio"/> <input type="radio"/> <input type="radio"/>	67 <input type="radio"/> <input type="radio"/> <input type="radio"/> <input type="radio"/> <input type="radio"/>	105 <input type="radio"/> <input type="radio"/> <input type="radio"/> <input type="radio"/> <input type="radio"/>	143 <input type="radio"/> <input type="radio"/> <input type="radio"/> <input type="radio"/> <input type="radio"/>	181 <input type="radio"/> <input type="radio"/> <input type="radio"/> <input type="radio"/> <input type="radio"/>
30 <input type="radio"/> <input type="radio"/> <input type="radio"/> <input type="radio"/> <input type="radio"/>	68 <input type="radio"/> <input type="radio"/> <input type="radio"/> <input type="radio"/> <input type="radio"/>	106 <input type="radio"/> <input type="radio"/> <input type="radio"/> <input type="radio"/> <input type="radio"/>	144 <input type="radio"/> <input type="radio"/> <input type="radio"/> <input type="radio"/> <input type="radio"/>	182 <input type="radio"/> <input type="radio"/> <input type="radio"/> <input type="radio"/> <input type="radio"/>
31 <input type="radio"/> <input type="radio"/> <input type="radio"/> <input type="radio"/> <input type="radio"/>	69 <input type="radio"/> <input type="radio"/> <input type="radio"/> <input type="radio"/> <input type="radio"/>	107 <input type="radio"/> <input type="radio"/> <input type="radio"/> <input type="radio"/> <input type="radio"/>	145 <input type="radio"/> <input type="radio"/> <input type="radio"/> <input type="radio"/> <input type="radio"/>	183 <input type="radio"/> <input type="radio"/> <input type="radio"/> <input type="radio"/> <input type="radio"/>
32 <input type="radio"/> <input type="radio"/> <input type="radio"/> <input type="radio"/> <input type="radio"/>	70 <input type="radio"/> <input type="radio"/> <input type="radio"/> <input type="radio"/> <input type="radio"/>	108 <input type="radio"/> <input type="radio"/> <input type="radio"/> <input type="radio"/> <input type="radio"/>	146 <input type="radio"/> <input type="radio"/> <input type="radio"/> <input type="radio"/> <input type="radio"/>	184 <input type="radio"/> <input type="radio"/> <input type="radio"/> <input type="radio"/> <input type="radio"/>
33 <input type="radio"/> <input type="radio"/> <input type="radio"/> <input type="radio"/> <input type="radio"/>	71 <input type="radio"/> <input type="radio"/> <input type="radio"/> <input type="radio"/> <input type="radio"/>	109 <input type="radio"/> <input type="radio"/> <input type="radio"/> <input type="radio"/> <input type="radio"/>	147 <input type="radio"/> <input type="radio"/> <input type="radio"/> <input type="radio"/> <input type="radio"/>	185 <input type="radio"/> <input type="radio"/> <input type="radio"/> <input type="radio"/> <input type="radio"/>
34 <input type="radio"/> <input type="radio"/> <input type="radio"/> <input type="radio"/> <input type="radio"/>	72 <input type="radio"/> <input type="radio"/> <input type="radio"/> <input type="radio"/> <input type="radio"/>	110 <input type="radio"/> <input type="radio"/> <input type="radio"/> <input type="radio"/> <input type="radio"/>	148 <input type="radio"/> <input type="radio"/> <input type="radio"/> <input type="radio"/> <input type="radio"/>	186 <input type="radio"/> <input type="radio"/> <input type="radio"/> <input type="radio"/> <input type="radio"/>
35 <input type="radio"/> <input type="radio"/> <input type="radio"/> <input type="radio"/> <input type="radio"/>	73 <input type="radio"/> <input type="radio"/> <input type="radio"/> <input type="radio"/> <input type="radio"/>	111 <input type="radio"/> <input type="radio"/> <input type="radio"/> <input type="radio"/> <input type="radio"/>	149 <input type="radio"/> <input type="radio"/> <input type="radio"/> <input type="radio"/> <input type="radio"/>	187 <input type="radio"/> <input type="radio"/> <input type="radio"/> <input type="radio"/> <input type="radio"/>
36 <input type="radio"/> <input type="radio"/> <input type="radio"/> <input type="radio"/> <input type="radio"/>	74 <input type="radio"/> <input type="radio"/> <input type="radio"/> <input type="radio"/> <input type="radio"/>	112 <input type="radio"/> <input type="radio"/> <input type="radio"/> <input type="radio"/> <input type="radio"/>	150 <input type="radio"/> <input type="radio"/> <input type="radio"/> <input type="radio"/> <input type="radio"/>	188 <input type="radio"/> <input type="radio"/> <input type="radio"/> <input type="radio"/> <input type="radio"/>
37 <input type="radio"/> <input type="radio"/> <input type="radio"/> <input type="radio"/> <input type="radio"/>	75 <input type="radio"/> <input type="radio"/> <input type="radio"/> <input type="radio"/> <input type="radio"/>	113 <input type="radio"/> <input type="radio"/> <input type="radio"/> <input type="radio"/> <input type="radio"/>	151 <input type="radio"/> <input type="radio"/> <input type="radio"/> <input type="radio"/> <input type="radio"/>	189 <input type="radio"/> <input type="radio"/> <input type="radio"/> <input type="radio"/> <input type="radio"/>
38 <input type="radio"/> <input type="radio"/> <input type="radio"/> <input type="radio"/> <input type="radio"/>	76 <input type="radio"/> <input type="radio"/> <input type="radio"/> <input type="radio"/> <input type="radio"/>	114 <input type="radio"/> <input type="radio"/> <input type="radio"/> <input type="radio"/> <input type="radio"/>	152 <input type="radio"/> <input type="radio"/> <input type="radio"/> <input type="radio"/> <input type="radio"/>	190 <input type="radio"/> <input type="radio"/> <input type="radio"/> <input type="radio"/> <input type="radio"/>

AFRIC FOUR YEAR SCHOLARSHIP PROGRAM
CENTRAL SCHOLARSHIP SELECTION BOARD SCORING DISTRIBUTION

ATCH 33

BOARD 1

CURRENT POINT SPREAD

PARTICIPANT	65	60	65	70	75	80	85	90	95	100	LINE TOTAL											
1	0	0	4	2.6	15	9.8	22	14.4	37	24.2	32	20.9	25	16.3	14	9.2	4	2.6	153			
2	0	0	2	1.3	10	4.5	29	19.0	45	29.4	45	29.4	38	11.8	4	2.6	0	0	153			
3	0	0	2	1.3	7	4.6	12	7.8	24	15.7	33	21.6	36	23.5	29	19.0	8	5.2	2	1.3	153	
SUBTOTAL	0	0	2	0.4	13	2.0	37	8.1	75	16.3	115	25.1	113	24.6	72	15.7	26	5.7	6	1.3		
C	1	1	2	1.8	14	10.1	18	13.0	36	26.1	33	23.9	24	17.4	8	5.8	2	1.4	0	0	130	
	2	0	0	0	3	2.2	11	6.0	14	10.1	22	15.9	33	23.9	22	15.9	9	6.5	2	1.4	130	
	3	2	1.4	3	2.2	13	9.4	14	10.1	17	12.3	32	23.2	34	24.6	19	13.6	3	2.2	1	0.7	130
SUBTOTAL	3	0.7	8	1.9	38	9.2	46	11.1	75	18.1	87	21.0	91	22.0	49	11.6	14	3.4	3	0.7		

33-1

RD TOTAL	3	0.5	10	1.1	51	5.6	63	9.5	150	17.2	202	23.1	208	23.4	121	13.9	40	4.6	9	1.0	
----------	---	-----	----	-----	----	-----	----	-----	-----	------	-----	------	-----	------	-----	------	----	-----	---	-----	--

DATE: PRIVACY ACT 1974
 PREPARE: AFROTIC FOUR YEAR SCHOLARSHIP PROGRAM
 CUMULATIVE MEMBER POINT-SPREAD

BOARD 3

	60	65	70	75	80-1	85	90	95	100	LINE TOTAL
1	0	0	0	0	0	0	0	0	0	0
2	0	0	0	0	0	0	0	0	0	0
3	0	0	0	0	0	0	0	0	0	0
SUBTOTAL	0	0	0	0	0	0	0	0	0	0
1	1	1	1	1	1	1	1	1	1	1
2	0	0	0	0	0	0	0	0	0	0
3	2	2	2	2	2	2	2	2	2	2
SUBTOTAL	3	3	3	3	3	3	3	3	3	3

33-2--

60 TOTAL	5	.1	38	.8	182	4.0	384	8.6	807	17.7	1028	22.5	1110	24.3	699	15.3	250	5.5	62	1.4
----------	---	----	----	----	-----	-----	-----	-----	-----	------	------	------	------	------	-----	------	-----	-----	----	-----

BOARD RANK ROSTER

BOARD 1

HEADER:	SSAN	NAME	RACE	SEX	BD RANK	PF-1	PF-2	PF-3
LINE:	532985496	SAMUEL HEATHER T	C	F	0001	8HY	4EY	
	079866122	WILLIS JENNIFER L	C	F	0002	4BY	4EY	
	296641408	JOHNSON KEVIN	B	M	0003	8HY	4IY	

HEADER CONT:	CEEB COMP	B	P	SCR	MED	CPS	DESIGNEE	ALTERNATE
LINE CONT:	1360	1	2	290	1	2950		
	1130	1	2	290*	2	2600		
	1400	1	3	285		2900		

BOARD ALPHA ROSTER

BOARD 1

HEADER:	SSAN	NAME	RACE	SEX	BD RANK	PF-1	PF-2	PF-3
LINE:	541024790	ABBOTT MARTIN J	C	M	0086	4AYY	4BY	
	503966175	ADAMS THOMAS P	C	M	0453	6YYY	8HY	

HEADER	CEEB	B	P	SCR	MED	CPS	DESIGNEE	ALTERNATE
CONT:	COMP							
LINE								
CONT:	1150	1	2	285	2	2795	4AYY	
	1360	1	3	260	1	2400		162

**NOTIFICATION OF INTENT
AIR FORCE ROTC 4-YEAR SCHOLARSHIP**

**BEFORE COMPLETING THIS FORM PLEASE READ THE INSTRUCTIONS
ON THE REVERSE SIDE.**

1. NAME (LAST, FIRST, MI) PLEASE PRINT

2. STATUS

WINNER ALTERNATE

**3. SOCIAL SECURITY
NUMBER**

--	--	--	--	--	--	--	--	--	--

000000000
000000000
000000000
000000000
000000000
000000000
000000000
000000000
000000000
000000000

4. DECISIONS:

DO YOU ACCEPT AFROTC OFFER?

----- FOLD LINE -----

FILL IN APPROPRIATE CIRCLE.

YES

NO

IF YOUR ANSWER IS "NO" PLEASE
COMPLETE ITEM 5

IF YOUR ANSWER IS "YES" PLEASE
COMPLETE THE INFORMATION 6 AND 7.

5. REASON FOR DECISION

ENTER APPROPRIATE
NUMBER AND FILL IN THE
CIRCLE.

ACCEPTED AT:

- 1-US MILITARY ACAD.
- 2-US AIR FORCE ACAD.
- 3-US COAST GUARD ACAD
- 4-US NAVAL ACAD.
- 5-ARMY ROTC
- 6-NAVY ROTC
- 7-OTHER REASONS
(SPECIFY)

**IN ACCEPTING THIS SCHOLARSHIP, I UNDERSTAND THAT I WILL OBTAIN A DEGREE IN
THE ACADEMIC MAJOR INDICATED IN MY NOTIFICATION LETTER, OR I MAY LOSE MY
SCHOLARSHIP IF I CHANGE TO ANOTHER ACADEMIC DISCIPLINE WITHOUT THE PRIOR
WRITTEN CONSENT OF THE AIR FORCE ROTC.**

6. SCHOOL, HOST.
WRITE THE NAME OF
THE SCHOOL YOU PLAN
-TO ATTEND BELOW-

NOW ENTER THE SCHOOL
CODE IN THE SPACE PRO-
VIDED TO THE RIGHT.
CODES ARE
LOCATED IN THE
INFORMATION PROVIDED
WITH THE SCHOLARSHIP
APPLICATION YOU
COMPLETED FOR THIS SCHOLARSHIP.

**SCHOOL CODE
HOST INTENT**

----- FOLD LINE -----

--	--	--	--

000 000
001 001
002 002
003 003
004 004
005 005
006 006
007 007
008 008
009 009

**7. ACADEMIC MAJOR WRITE
BELOW THE NAME OF THE
ACADEMIC MAJOR YOU
PLAN TO PURSUE:-----**

THE MAJOR MUST MEET
THE REQUIREMENTS OF
THE SCHOLARSHIP AREA
YOU WERE OFFERED. IF YOU
HAVE ANY QUESTIONS
CONTACT THE AFROTC
UNIT AT YOUR SCHOOL.

8. X _____

SIGNATURE OF STUDENT

DATE _____

DATA REQUIRED BY PRIVACY ACT OF 1974

1. **AUTHORITY:** Title 10 US Code 2102 and 2107. 2. **PRINCIPLE PURPOSE(S):** Notification to AFROTC that winner accepts scholarship. Also serves to inform AFROTC of institution winners plans to attend and (if appropriate) why he/she declines. 3. **ROUTINE USES:** To maintain count of acceptances/declinations to enable AFROTC to make awards to alternates. Information on institution is obtained so that AFROTC can identify recipients for enrollment and allocation of funds to pay costs. Information is also used to direct routing of medical forms on recipients to the institutions they will attend so these forms may be included in the recipient's cadet personnel file. Information is also used to maintain data as to why recipients decline which allows statistical study of enrollment trends among recipients. Information is used by AFROTC. 4. **MANDATORY OR VOLUNTARY DISCLOSURE AND EFFECT ON INDIVIDUAL NOT PROVIDING INFORMATION:** All data except reason for declination is mandatory. Individuals who do not notify AFROTC of acceptance are dropped from roster and lose their scholarship.

**INSTRUCTIONS FOR COMPLETING
NOTIFICATION OF INTENT**

1. USE BLACK LEAD PENCIL ONLY (*2 OR SOFTER).
2. ERASE ERRORS COMPLETELY AND CLEANLY.
3. FILL APPROPRIATE CIRCLES WITH HEAVY BLACK MARKS. ACCEPTABLE MARKS: ● ● ●
4. FOR PROPER COMPLETION, SEE SAMPLE SOCIAL SECURITY NUMBER BLOCK BELOW.
5. DO NOT MAKE ANY STRAY MARKS ON THIS FORM.
6. DO NOT STAPLE THIS FORM.
7. FOLD ONLY ON FOLD LINES.
8. INSURE ALL ITEMS ON THE REVERSE SIDE ARE COMPLETED AS APPROPRIATE AND DONT FORGET TO SIGN THIS FORM.

SAMPLE									
SOCIAL SECURITY NO.									
1	2	4	8	0	3	1	1	2	
0	0	0	0	●	0	0	0	0	
●	1	1	1	1	1	●	●	1	
2	●	2	2	2	2	2	2	●	
3	3	3	3	3	●	3	3	3	
4	4	●	4	4	4	4	4	4	
5	5	5	5	5	5	5	5	5	
6	6	6	6	6	6	6	6	6	
7	7	7	7	7	7	7	7	7	
8	8	8	●	8	8	8	8	8	
9	9	9	9	9	9	9	9	9	

COLLEGES and UNIVERSITIES AFFILIATED with AIR FORCE ROTC

The schools listed below were affiliated with Air Force ROTC in July 1984. There may be some changes by the fall 1985 semester when your scholarship begins. For information on whether a particular school may have been added to or deleted from this list write to AFROTC/RRO, Maxwell AFB AL 36112-6663.

Air Force ROTC detachment locations are indicated below by the three-digit numbers before the school names; some have three digits followed by one letter. Students at schools preceded by a *lower case letter* (listed below detachments) attend Air Force ROTC classes at the detachment. For example, Detachment 012 is Samford University; students at Birmingham Southern College attend Air Force ROTC classes at Samford. (012a)

ALABAMA

- 005 Auburn University, Auburn 36849 (205) 826-4355
- 010 University of Alabama, University 35486 (205) 348-5900
- 012 Samford University, Birmingham 35209 (205) 870-2359
 - a Birmingham Southern College, Birmingham 35204
 - b Miles College, Birmingham 35208
 - c University of Alabama in Birmingham, Birmingham 35294
 - d University of Montevallo, Montevallo 35115
- 015 Tuskegee Institute, Tuskegee 36088 (205) 727-8384
- 017 Troy State University, Troy 36082 (205) 544-5115
- 019 Alabama State University, Montgomery 36105 (205) 293-4306
 - a Auburn University at Montgomery, Montgomery 36117
 - b Huntington College, Montgomery 36106
 - c Troy State University in Montgomery, Montgomery 36104

ARIZONA

- 020 University of Arizona, Tucson 85721 (602) 621-3521
- 025 Arizona State University Tempe 85281 (602) 965-3181
 - a Grand Canyon College, Phoenix 85017
- 027 Northern Arizona University, Flagstaff 86011 (602) 523-5371
- 028 Embry Riddle Aeronautical at Prescott, Prescott 86202 (602) 778-4130

ARKANSAS

- 030 University of Arkansas, Fayetteville 72701 (501) 575-3651

CALIFORNIA

- 035 California State University, Fresno 93740 (209) 231-9947
 - a West Coast Bible College, Fresno 93710
- 045 San Jose State University, San Jose 95192 (408) 277-1111
 - a Obispo College, Fremont 94538
 - b San Jose City College, San Jose 95128
 - c Stanford University, San Jose 94305
 - d University of Santa Clara, Santa Clara 95053
- 055 University of California at Los Angeles, Los Angeles 90024 (213) 825-1742
 - a California Lutheran College, Thousand Oaks 91360
 - b California State College, San Bernardino 92407

- c California State University, Dominguez Hills, Carson 90747
- d California State Polytech University at Pomona, Pomona 91768
- e California State University at Fullerton, Fullerton 92634
- f California State University at Long Beach, Long Beach 90840
- g California State University at Los Angeles, Los Angeles 90032
- h California State University at Northridge, Northridge 91330
- i Los Angeles Mission College, San Fernando 91340
- j Mount St Mary's College, Los Angeles 90049
- k Northrop University, Inglewood 90306
- l Santa Monica College, Santa Monica 90405
- m Southern Illinois University, Sunnyside 92388
- n University of California Irvine, Irvine 92717
- o University of California Riverside, Riverside 92521
- p University of LaVerne, LaVerne 91750
- q University of California Santa Barbara, Santa Barbara 93106
- 055A Loyola Marymount University, Los Angeles 90045 (213) 670-0113
 - a California State University Dominguez Hills, Carson 90747
 - b California State University, Long Beach, Long Beach 90840
 - c California State College, San Bernardino 92407
 - d California State Polytech University at Pomona, Pomona 91768
 - e California State University at Los Angeles, Los Angeles 90032
 - f California State University at Fullerton, Fullerton 92634
 - g California State University at Northridge, Northridge 91330
 - h Chapman College, Orange 92666
 - i East Los Angeles College, Monterey Park 91754
 - j Los Angeles Harbor College, Wilmington 90744
 - k Los Angeles Pierce College, Woodland Hills 91371
 - l Los Angeles Trade Tech College, Los Angeles 90015
 - m Los Angeles Valley College, Van Nuys 91401
 - n Mount St Mary's College, Los Angeles 90049
 - o Northrop University, Inglewood 90306
 - p Pepperdine University, Malibu 90265
 - q University of California Irvine, Irvine 92717
 - r University of Redlands, Redlands 92373

- s University of California Riverside, Riverside 92521
- t Westmont College, Santa Barbara 93108
- 055B California State University at Long Beach, Long Beach 90503 (213) 498-5743
 - a California State College, San Bernardino 92407
 - b California State University, Dominguez Hills, Carson 90747
 - c California State University at Fullerton, Fullerton 92634
 - d California State University Los Angeles, Los Angeles 90032
 - e California State Polytech University at Pomona, Pomona 91768
 - f University of California Riverside, Riverside 92521
- 060 University of Southern California, Los Angeles 90089 (213) 743-7670
 - a Biola College, La Habra 91748
 - b California Institute of Technology, Pasadena 91125
 - c California Lutheran College, Thousand Oaks 91360
 - d California State College, San Bernardino 92407
 - e California State Polytech University at Pomona, Pomona 91768
 - f California State University, Dominguez Hills, Carson 90747
 - g California State University at Fullerton, Fullerton 92634
 - h California State University at Los Angeles, Los Angeles 90032
 - i California State University at Northridge, Northridge 91324
 - j Chapman College, Orange 92666
 - k Claremont Men's College, Claremont 91711
 - l Harvey Mudd College, Claremont 91711
 - m Northrop University, Inglewood 90306
 - n Occidental College, Los Angeles 90041
 - o Pepperdine University, Malibu 90265
 - p Pomona College, Claremont 91711
 - q University of California, Irvine 92717
 - r University of California Riverside, Riverside 92521
 - s Whittier College, Whittier 90608
- 075 San Diego State University, San Diego 92182 (619) 265-5545
 - a Point Loma College, San Diego 92106
 - b University of California San Diego, La Jolla 92093
 - c University of San Diego, San Diego 92110
 - d National University, San Diego 92108
- 085 University of California at Berkeley, Berkeley 94720 (415) 642-3572
 - a California State University at Hayward, Hayward 94542

- City College of San Francisco, San Francisco 94112
 - Holy Names College, Oakland 94619
 - Mills College, Oakland 94613
 - Ohlone College, Fremont 94538
 - Sonoma State College, Rohnert Park 94928
 - St Mary's College, Moraga 94575
- 088** California State University at Sacramento, Sacramento 95819 (916) 454-7315
- American River College, Sacramento 95841
 - Consumnes River College, Sacramento 95823
 - Sacramento City College, Sacramento 95822
 - Sierra College, Rocklin 95677
 - University of California at Davis, Davis 95616
 - University of Pacific, Stockton 95211

COLORADO

- 090 Colorado State University, Fort Collins 80523 (303) 491-6476
- University of Northern Colorado, Greeley 80639 (303) 351-2061
- 105 University of Colorado, Boulder 80309 (303) 492-8351
- Colorado School of Mines, Golden 80401
- Colorado Women's College, Denver 80220
- Metropolitan State College, Denver 80204
- Regis College, Denver 80221
- University of Colorado at Denver, Denver 80202
- University of Denver, Denver 80208

CONNECTICUT

- 115 University of Connecticut, Storrs 06268 (203) 486-7225
- Central Connecticut State, New Britain 06050
- Eastern Connecticut State, Willimantic 06226
- Southern Connecticut State, New Haven 06515
- Trinity College, Hartford 06106
- University of Hartford, West Hartford 06117
- Western Connecticut State College, Danbury 06810

DELAWARE

- 128 University of Delaware, Newark 19716 (302) 738-2863
- Wilmington College, New Castle 19720

DISTRICT OF COLUMBIA

- 130 Howard University, Washington 20059 (202) 636-6788
- American University, Washington 20016
- Georgetown University, Washington 20057
- George Washington University, Washington 20052
- The Catholic University of America, Washington 20064
- Trinity College, Washington 20017
- University of the District of Columbia, Mt Vernon Square, Washington 20005

FLORIDA

- 145 Florida State University, Tallahassee 32306 (904) 644-3461
- Florida A&M University, Tallahassee 32307
- 150 University of Florida, Gainesville 32611 (904) 392-1355
- 155 University of Miami, Coral Gables 33124 (305) 284-2870
- Barry College, Miami 33161
- Biscayne College, Miami 33054
- Florida Memorial College, Miami 33054
- Embry Riddle Aeronautical University, Daytona Beach 32014 (904) 253-4089
- Bethune-Cookman College, Daytona Beach 32015
- University of Central Florida, Daytona Center 32014

- 158 University of South Florida, Tampa 33620 (813) 974-3367 ext 261
- Saint Leo College, Saint Leo 33753
- University of Tampa, Tampa 33606
- 159 University of Central Florida, Orlando 32812 (305) 275-2264
- Florida Southern College, McCoy Campus, Orlando 32809
- Rollins College, Winter Park 32789

GEORGIA

- 160 University of Georgia, Athens 30602 (404) 543-4981
- 165 Georgia Institute of Technology, Atlanta 30332 (404) 984-4175
- Agnes Scott College, Decatur 30030
- Clark College, Atlanta 30314
- Georgia State University, Atlanta 30314
- Morehouse College, Atlanta 30314
- Morris Brown College, Atlanta 30314
- Southern Technical Institute, Marietta 30060
- Spelman College, Atlanta 30314
- 172 Valdosta State College, Valdosta 31698 (912) 333-5954

HAWAII

- 175 University of Hawaii at Manoa, Honolulu 96822 (808) 948-7762
- Chaminade University of Honolulu, Honolulu 96816
- Hawaii Pacific College, Honolulu 96814
- West Oahu College, Pearl City 96782

IDAHO

- (905) Washington State University, Pullman WA 99163 (509) 335-3546
- University of Idaho, Moscow 83843

ILLINOIS

- 190 University of Illinois, Urbana 61820 (217) 333-1927
- 195 Illinois Institute of Technology, Chicago 60616 (312) 567-3525
- Chicago State University, Chicago 60628
- Elmhurst College, Elmhurst 60126
- Governors State University, Park Forest South 60466
- Lewis University, Lockport 60441
- North Central College, Naperville 60566
- Northern Illinois University, DeKalb 60115
- Northeastern Illinois University, Chicago 60625
- Northwestern University, Evanston 60201
- Rush University, Chicago 60612
- Saint Xavier College, Chicago 60655
- University of Illinois at Chicago Circle, Chicago 60680
- 205 Southern Illinois University, Carbondale 62901 (618) 453-2481
- 206 Southern Illinois University at Edwardsville, Edwardsville 62026 (618) 692-3180
- McKendree College, Lebanon 62254
- 207 Parks College of St Louis University, Cahokia 62206 (618) 337-7500
- Harris Stowe College, St. Louis, MO 63103
- St Louis University, St. Louis, MO 63103
- University of Missouri at St. Louis, MO 63121
- Washington University, St. Louis, MO 63130

INDIANA

- 215 Indiana University, Bloomington 47401 (812) 335-4191
- Butler University, Indianapolis 46208
- DePauw University, Greencastle 46135
- Indiana State University, Terre Haute 47809
- Indiana University Purdue University at Indianapolis, Indianapolis 46202
- Marian College, Indianapolis 46222
- Rose-Hulman Institute of Technology, Terre Haute 47803
- 220 Purdue University, West Lafayette 47907 (317) 494-2042
- 225 University of Notre Dame, Notre Dame 46556 (219) 239-6634

- Indiana University at South Bend 46544
- St Mary's College, Notre Dame 46557
- (295) University of Louisville, Louisville KY 40203 (502) 588-6576
- Indiana University Southeast, New Albany 47150

IOWA

- 250 Iowa State University, Ames 50311 (515) 294-1716
- Drake University, Des Moines 50319
- University of Iowa, Iowa City 52242 (319) 351-4418

KANSAS

- 270 Kansas State University, Manhattan 66506 (913) 532-6600
- 280 The University of Kansas, Lawrence 66044 (903) 864-4676
- Washburn University, Topeka 66601
- Mid-America Nazarene College, Topeka 66061

KENTUCKY

- 290 University of Kentucky, Lexington 40506 (606) 257-1681
- Eastern Kentucky University, Richmond 40475
- Georgetown College, Georgetown 40324
- Kentucky State University, Frankfort 40601
- Transylvania University, Lexington 40508
- 295 University of Louisville, Louisville 40292 (502) 588-6576
- Bellarmine College, Louisville 40205
- Indiana University Southeast, New Albany IN 47150
- Spalding College, Louisville 40203
- (665) University of Cincinnati, Cincinnati OH 45221 (513) 475-2227
- Northern Kentucky University, Highland Heights 41076
- Thomas More College, Fort Mitchell 41017

LOUISIANA

- 305 Louisiana Tech University, Ruston 71272 (318) 257-2740
- 310 Louisiana State University and A&M College, Baton Rouge 70893 (504) 388-4407
- Southern University A&M College, Baton Rouge 70813
- 311 Grambling State University, Grambling 71245 (318) 247-6768
- 315 University of Southwestern Louisiana, Lafayette 70504 (318) 235-6361
- 320 University of New Orleans, New Orleans 70122 (504) 266-6647
- Dillard University, New Orleans 70122
- Loyola University in New Orleans, New Orleans 70118
- Our Lady of Holy Cross College, New Orleans 70114
- Southern University in New Orleans, New Orleans 70126
- Tulane University, New Orleans 70118
- Xavier University of Louisiana, New Orleans 70125

MAINE

- 326 University of Maine at Orono 04464 (207) 581-1384
- Husson College, Bangor 04401

MARYLAND

- 330 University of Maryland, College Park 20742 (301) 454-3245
- Bowie State College, Bowie 20715
- George Mason University, Fairfax VA 22030
- John Hopkins University, Baltimore 21218
- Loyola College, Baltimore 21210
- Shepherd College, Shepherdstown WV 25443

↳ Towson State University, Baltimore 21204
 ♁ Westminster Maryland College, Westminster 21157

MASSACHUSETTS

340 College of the Holy Cross, Worcester 01610 (617) 793 3343
 ♁ Anna Maria College, Paxton 01612
 ♁ Assumption College, Worcester 01609
 ♁ Central New England College, Worcester 01608
 ♁ Clark University, Worcester 01610
 ♁ Worcester Polytechnic Institute, Worcester 01609
 ↳ Worcester State College, Worcester 01602
 345 University of Lowell, Lowell 01854 (617) 459-9301
 ♁ Bentley College, Waltham 02154
 ♁ Daniel Webster College, Nashua, NH 03060
 ♁ Endicott College, Beverly 01915
 ♁ Gordon College, Wenham, 01984
 ♁ New England College, Haverhill NH 03204
 ↳ New Hampshire College, Manchester NH 03104
 ♁ Notre Dame College, Manchester NH 03104
 ♁ Rivier College, Nashua NH 03060
 ♁ Saint Anselm College, Manchester NH 03102
 ↳ Salem State College, Salem 01970
 355 Boston University, Boston 02215 (617) 353 4705
 ♁ Northeastern University, Boston 02115
 365 Massachusetts Institute of Technology, Cambridge 02139 (617) 253 4475
 ♁ Harvard University, Cambridge 02138
 ♁ Tufts University, Medford 02155
 ♁ Wellesley College, Wellesley 02181
 370 University of Massachusetts, Amherst 01001 (413) 545 2437
 ♁ Amherst College, Amherst 01002
 ♁ Mount Holyoke College, South Hadley 01075
 ♁ Smith College, Northampton 01063
 ♁ Western New England College, Springfield 01119

MICHIGAN

380 Michigan State University, East Lansing 48824 (517) 355 2168
 390 The University of Michigan, Ann Arbor 48109 (313) 764-2405
 ♁ Concordia College, Ann Arbor 48105
 ♁ Eastern Michigan University, Ypsilanti 48197
 ♁ Lawrence Institute of Technology, Southfield 48075
 ♁ University of Michigan at Dearborn, Dearborn 48128
 400 Michigan Technological University, Houghton 49931 (906) 487-2652

MINNESOTA

410 The College of St Thomas, St Paul 55105 (612) 447 5093
 ♁ Bethel College, Saint Paul 55112
 ♁ Augsburg College, Minneapolis 55414
 ♁ College of St Catherine, St Paul 55105
 ♁ Hamline University, St Paul 55104
 ♁ Marquette College, St Paul 55105
 415 University of Minnesota, Minneapolis 55455 (612) 313 2205
 420 University of Minnesota at Duluth, Duluth 55812 (218) 726 8159
 ♁ College of St Scholastica, Duluth 55811
 ♁ University of Wisconsin at Superior, Superior 54880
 (610) North Dakota State University of A&S, Fargo ND 58105 (701) 237 8186
 ♁ Concordia College, Moorhead 56560
 ♁ Moorhead State University, Moorhead 56560

MISSISSIPPI

425 Mississippi State University, Mississippi State 39762 (601) 325 3810
 ♁ Mississippi University for Women, Columbus 39701

430 University of Mississippi, University 38677 (601) 232-7357
 430A Mississippi Valley State University, Itta Bena 38941 (601) 254 6392
 ♁ Delta State University, Cleveland 38732
 432 University of Southern Mississippi, Hattiesburg 39401 (601) 266-4468
 ♁ William Carey College, Hattiesburg 39401

MISSOURI

437 Southeast Missouri State University, Cape Girardeau 63701 (314) 651-2184
 440 University of Missouri, Columbia 65211 (314) 882-7621
 ♁ Columbia College, Columbia 65201
 ♁ Stephens College, Columbia 65201
 ♁ William Woods College, Fulton 65251
 442 University of Missouri-Rolla, Rolla 65401 (314) 341-4832
 (207) Parks College of St Louis University, Cahokia IL 62206
 ♁ Harris Stowe State College, St Louis 63103
 ♁ St Louis University, St Louis 63103
 ♁ University of Missouri at St Louis, St Louis 63121
 ♁ Washington University, St Louis 63130

MONTANA

450 Montana State University, Bozeman 59717 (406) 994-4022

NEBRASKA

465 University of Nebraska, Lincoln 68588 (402) 472-2473
 ♁ Concordia Teachers College, Seward 68434
 ♁ Nebraska Wesleyan University, Lincoln 68504
 470 University of Nebraska at Omaha, Omaha 68182 (402) 554-2318
 ♁ Bellevue College, Bellevue 68005
 ♁ College of St Mary, Omaha 68124
 ♁ Creighton University, Omaha 68178
 ♁ University of Nebraska Medical Center, Omaha 68105

NEW HAMPSHIRE

475 University of New Hampshire, Durham 03824
 ♁ Nathaniel Hawthorne College, Androm 03440
 ♁ New England College, Henniker 03242
 ♁ New Hampshire College, Manchester 03104
 ♁ St Anselm's College, Manchester 03102
 ♁ The University of Southern Maine, Portland ME 04103
 ♁ University of New Hampshire, Plymouth State College, Plymouth 03264
 (345) University of Lowell, Lowell MA 01854 (617) 459 9301
 ♁ Daniel Webster College, Nashua 03060
 ♁ New Hampshire College, Manchester 03104
 ♁ Notre Dame College, Manchester 03104
 ♁ Rivier College, Nashua 03060
 ♁ Saint Anselm College, Manchester 03102

NEW JERSEY

485 Rutgers, The State University, New Brunswick 08901 (201) 932-7430
 ♁ Monmouth College, West Long Beach 07764
 ♁ Princeton University, Princeton 08540
 ♁ Rider College, Trenton 08648
 ♁ Rutgers University, Camden Campus 08102
 ♁ Trenton State College, Trenton 08625
 ♁ Wagner College, Staten Island NY 10301
 490 New Jersey Institute of Technology, Newark 07102 (201) 645-5240
 ♁ Fairleigh Dickinson University-Teaneck, Teaneck 07666
 ♁ Jersey City State College, Jersey City 07305

↳ Kean College of New Jersey, Union 07083
 ♁ Montclair State College, Upper Montclair 07043
 ♁ Rutgers University, Newark Campus 07102
 ↳ Seton Hall University, South Orange 07079
 ♁ Stevens Institute of Technology, Hoboken 07030
 ♁ St Peter's College, Jersey City 07306
 ↳ William Paterson College, Wayne 07470

NEW MEXICO

505 New Mexico State University, Las Cruces 88003 (505) 646-2136
 ♁ University of Texas at El Paso, El Paso TX 79968
 510 University of New Mexico, Albuquerque 87131 (505) 277-4502
 ♁ University of Albuquerque, Albuquerque 87140

NEW YORK

520 Cornell University, Ithaca 14853 (607) 256-4004
 ♁ Ithaca College, Ithaca 14850
 ♁ SUNY College at Cortland, Cortland 13045
 ♁ Welles College, Aurora 13056
 535 Syracuse University, Syracuse 13210 (315) 476 9272
 ♁ LeMoyne College, Syracuse 13214
 ♁ New School for Social Research, New York 10011
 ♁ SUNY College of Environmental Science & Forestry, Syracuse 13210
 ♁ Ultra College of Syracuse University, Ultra 13502
 536b Rochester Institute of Technology, Rochester 14623 (315) 474 9272
 ♁ University of Rochester, Rochester 14627
 536 Clarkson College of Technology, Potsdam 13676 (315) 268 7962
 ♁ SUNY College at Potsdam, Potsdam 13676
 ♁ St Lawrence University, Canton 13617
 550 Rensselaer Polytechnic Institute, Troy 12181 (518) 265 6236
 ♁ College of St Rose, Albany 12203
 ♁ Russell Sage College, Troy 12180
 ♁ Siena College, Loudonville 12211
 ♁ Skidmore College, Saratoga Springs 12866
 ♁ SUNY at Albany, Albany 12222
 ♁ SUNY Empire State College, Saratoga Springs 12866
 ♁ Union College, Schenectady 12308
 560 Manhattan College, Riverdale 10471 (212) 920 0201
 ♁ Adelphi University, Garden City 11530
 ♁ College of Mount St Vincent, Riverdale 10471
 ♁ Columbia University, New York 10027
 ♁ C. W. Post Center of Long Island University, Greenvale 11548
 ♁ Dowling College, Oakdale, Long Island 11769
 ↳ Long Island University, Brookville Center, Brooklyn 11201
 ♁ Mercy College, Dobbs Ferry 10522
 ♁ Molloy College, Rockville Centre 11570
 ↳ New York Institute of Technology, Old Westbury 11568
 ↳ Pace University, Pace Plaza, New York 10038
 ↳ Polytechnic Institute of New York, Brooklyn 11201
 ↳ Saint Francis College, Brooklyn 11201
 ↳ Saint Joseph's College, Brentwood, Patchogue 11772
 ↳ Saint Thomas Aquinas College, Sparkill 10976
 ♁ SUNY at Old Westbury, Old Westbury 11568
 ♁ SUNY at Stony Brook, Stony Brook 11794

NORTH CAROLINA

- 585 Duke University, Durham 27706 (919) 684-3641
 - North Carolina Central University, Durham 27707
- 590 University of North Carolina, Chapel Hill 27514 (919) 962-2074
- 590A University of North Carolina at Charlotte, Charlotte 28223 (704) 597-4537
 - Barber-Scotia College, Belmont 28025
 - Belmont Abbey College, Belmont 28012
 - Davidson College, Davidson 28036
 - Johnson C. Smith University, Charlotte 28216
 - Sacred Heart College, Belmont 28012
 - Queens College, Charlotte 28274
 - Wingate College, Wingate 28174
 - Winthrop College, Rock Hill 29733
- 595 North Carolina State University at Raleigh, Raleigh 27607 (919) 737-2417
 - Meredith College, Raleigh 27611
 - Shaw University, Raleigh 27611
 - St Augustine's College, Raleigh 27611
- 600 East Carolina University, Greenville 27834 (919) 757-6598
- 605 North Carolina A&T State University, Greensboro 27411 (919) 379-7707
 - Bennett College, Greensboro 27420
 - Greensboro College, Greensboro 27420
 - Guilford College, Greensboro 27410
 - High Point College, High Point 27262
 - University of North Carolina, Greensboro 27412
- 607 Fayetteville State University Fayetteville 28401 (919) 486-1465
 - Pembroke State University, Pembroke 28372

NORTH DAKOTA

- 610 North Dakota State University of A&S, Fargo 58105 (701) 237-8186
 - Concordia College, Moorhead, MN 56560
 - Moorhead State University, Moorhead, MN 56560

OHIO

- 620 Bowling Green State University, Bowling Green 43403 (419) 353-6093
 - Ashland College, Ashland 44805
 - Defiance College, Defiance 43512
 - Findlay College, Findlay 45840
 - Heidelberg College, Tiffin 44883
 - Ohio Northern University, Ada 45810
 - University of Toledo, Toledo 43606
- 630 Kent State University, Kent 44242 (216) 672-2182
- 640 Miami University, Oxford 45056 (513) 529-2031
 - Miami University Middletown Branch, Middletown 45052
- 643 Wright State University, Dayton 45435 (513) 529-2031
 - Antioch College, Yellow Springs 45387
 - Central State University, Wilberforce 45384 (513) 873-2730
 - Cedarville College, Cedarville 45314
 - University of Dayton, Dayton 45469
 - Urbana College, Urbana 43078
 - Wilberforce University, Wilberforce 45384
 - Wilmington College, Springfield 45177
 - Wittenburg University, Springfield 45501
- 645 The Ohio State University, Columbus 43210 (614) 422-5441
 - Capital University, Columbus 43209
 - Franklin University, Columbus 43215
 - Ohio Dominican College, Columbus 43219
 - Ohio Wesleyan University, Delaware 43016
 - Otterbein College, Westerville 43081
- 650 Ohio University, Athens 45701 (614) 594-6613
- 660 The University of Akron Akron 44325 (216) 375-7653
- 665 University of Cincinnati, Cincinnati 45221 (513) 475-2237
 - Cincinnati Tech College, Cincinnati 45221

- College of Mount St Joseph, Mount St Joseph 45051
- Edgewood College, Cincinnati 45207
- Northern Kentucky University, Highland Heights KY 41076
- Thomas More College, Fort Mitchell KY 41017
- Xavier University, Cincinnati 45207

OKLAHOMA

- 670 Oklahoma State University, Stillwater 74078 (405) 624-4255
- 675 The University of Oklahoma, Norman 73019 (405) 325-3211
 - Oklahoma City University, Oklahoma City 73106
 - Oklahoma Christian College, Oklahoma City 73111

OREGON

- 685 Oregon State University, Corvallis 97331 (503) 754-3291
 - Western Oregon State College, Monmouth 97361
 - University of Oregon, Eugene 97403
- 695 University of Portland, Portland 97203 (503) 283-7216
 - Concordia College, Portland 97211
 - Portland State University, Portland 97207
 - University of Oregon Health Sciences Center, Portland 97201
 - Willamette University, Salem 97301
 - Warner Pacific College, Portland 97215

PENNSYLVANIA

- 715 Lehigh University, Bethlehem 18015 (215) 861-3290
 - Allentown College of St Francis Desales, Center Valley 18034
 - Cedar Crest College, Allentown 18104
 - East Stroudsburg State College, East Stroudsburg 18301
 - Kutztown State College, Kutztown 19530
 - Lafayette College, Easton 18042
 - Moravian College, Bethlehem 18018
 - Muhlenberg College, Allentown 18104
 - Pennsylvania State-Allentown, Fogelsville 18051
- 720 The Pennsylvania State University, University Park 16802 (814) 865-1983
- 730 University of Pittsburgh, Pittsburgh 15260 (412) 624-6397
 - Carlow College, Pittsburgh 15213
 - Chatham College, Pittsburgh 15232
 - Duquesne University, Pittsburgh 15282
 - La Roche College, Pittsburgh 15237
 - Point Park College, Pittsburgh 15222
 - Robert Morris College, Coraopolis 15108
 - St Vincent College, Latrobe 15650
- 730A Carnegie Mellon, Pittsburg 15213 (412) 578-8747
- 745 Grove City College, Grove City 16127 (412) 458-8430
 - Slippery Rock State College, Slippery Rock 16057
- 750 St Joseph's University, Philadelphia 19131 (215) 879-7310
 - Drexel University, Philadelphia 19104
 - Eastern College, St Davids 19087
 - LaSalle College, Philadelphia 19141
 - Rutgers-Camden, Camden NJ 08102
 - Temple University, Philadelphia 19122
 - Thomas Jefferson University, Philadelphia 19107
 - University of Pennsylvania, Philadelphia 19104
 - Villanova University, Villanova 19085
 - West Chester State College West Chester 19380
 - Widener University, Chester 19013
- 752 Wilkes College, Wilkes-Barre 18766 (717) 829-0194
 - Bloomsburg State College, Bloomsburg 17815
 - College Misericordia, Dallas 18612
 - King's College, Wilkes-Barre 18711
 - Marywood College, Scranton 18509
 - The University of Scranton, Scranton 18510

PUERTO RICO

- 755 University of Puerto Rico, Hato Rey, Hato Rey, PR 00916 (809) 767-1410
 - Bayamon Central University, Bayamon 00619
 - Bayamon Regional College, Hato Rey 00931
 - Inter American University, Hato Rey 00919
 - Sacred Heart University, Santurce 00914
 - University of Puerto Rico, Bayamon Technical University, Bayamon 00936
 - University of Puerto Rico, Carolina Regional College, Carolina 00931
 - University of Puerto Rico, Cayey University College, Cayey 00633
 - University of Puerto Rico, Humacao University College, Humacao 00661
 - World University, Hato Rey 00917
- 756 University of Puerto Rico, Mayaguez 00709 (809) 833-1888
 - Inter American University of Puerto Rico, San German 00753
 - University of Puerto Rico, Aguadilla Regional College, Aguadilla 00603

SOUTH CAROLINA

- 765 The Citadel, Charleston 29402 (803) 732-5400
- 770 Clemson University, Clemson 29634 (803) 656-3174
 - Central Wesleyan College, Central 29630
- 775 University of South Carolina, Columbia 29208 (803) 774-4134
 - Benedict College, Columbia 29204

SOUTH DAKOTA

- 780 South Dakota State University, Brookings 57007 (605) 688-6106

TENNESSEE

- 785 Memphis State University, Memphis 38152 (901) 454-2681
 - Christian Brothers College, Memphis 38104
 - LeMoine-Owen College, Memphis 38126
 - Southwestern Memphis, Memphis 38112
 - University of Tennessee Medical School, Memphis 38163
- 790 Tennessee State University, Nashville 37203 (615) 370-3710
 - Belmont College, Nashville 37203
 - David Lipscomb College, Nashville 37203
 - Frank University, Nashville 37203
 - Meharry Medical College, Nashville 37208
 - Middle Tennessee State University, Murfreesboro 37130
 - Trevecca Nazarene College, Nashville 37210
 - Vanderbilt University, Nashville 37240
 - Western Kentucky University, Bowling Green 42101
- 800 University of Tennessee, Knoxville 37796
 - Knoxville College, Knoxville 37921

Texas

- 805 Texas A&M University, College Station 77841 (409) 845-7611
- 810 Baylor University, Waco 76798 (817) 755-3513
 - University of Mary Hardin-Baylor, Belton 76513
 - Paul Quinn College, Waco 76704
- 820 Texas Tech University, Lubbock 79409 (806) 742-2143
 - Lubbock Christian College, Lubbock 79407
- 825 The University of Texas at Austin, Austin 78712 (512) 471-1776
 - Concordia Lutheran College, Austin 78705
- 830 St Edward's University, Austin 78704
 - East Texas State University, Commerce 75428 (414) 816-5200

- 835 North Texas State University, Denton
76203 (817) 565-2700
 • Southern Methodist University, Dallas
75275
 • Texas Woman's University, Denton
76204
 • University of Dallas, Irving 75081
- 840 Southwest Texas State University, San
Marcos 78666 (512) 392-8188
 • Texas Lutheran College, Seguin 78155
- 840A University of Texas at San Antonio, San
Antonio 78285
- 845 Texas Christian University, Fort Worth
76129 (817) 921-7481
 • Texas Wesleyan College, Fort Worth
76105
 • University of Texas at Arlington,
Arlington 76019
- 847 Angelo State University, San Angelo 76909
(915) 942-2036
- (505) New Mexico State University, Las Cruces
NM 88003 (518) 266-6236
 • University of Texas at El Paso, El Paso
79968

UTAH

- 850 University of Utah, Salt Lake City 84112
(801) 616-36
 • Weber State College, Ogden 84408
 • Westminster College, Salt Lake City
84105
- 855 Brigham Young University, Provo 84602
(801) 378-2671

- 860 Utah State University, Logan 84322 (801)
750-1831

VERMONT

- 865 St Michael's College, Winooski 05404
(802) 655-2000 ext 2553
 • Lyndon State College, Lyndonville
05851
 • Trinity College, Burlington 05401
 • University of Vermont & State
Agricultural College, Burlington 05401
- 867 Norwich University, Northfield 05663
(802) 485-5001 ext 269

VIRGINIA

- 875 Virginia Polytechnic Institute, Blacksburg
24060 (703) 961-6404
- 880 Virginia Military Institute, Lexington 24450
(703) 463-6354
- 890 University of Virginia, Charlottesville 22903
(804) 924-3394
- (330) University of Maryland, College Park MD
20742 (301) 454-3245
 • George Mason University, Fairfax
22030

WASHINGTON

- 900 University of Puget Sound, Tacoma 98416
(206) 756-3264
 • Pacific Lutheran University, Tacoma
98447

- St Martin's College, Olympia 98503
 • Southern Illinois University at McChord
AFB 98438
- 905 Washington State University, Pullman
99164 2606 (509) 335-3546
 • University of Idaho, Moscow Idaho
83843
- 910 University of Washington, Seattle 98195
(206) 543-2360
 • Seattle University, Seattle 98122

WEST VIRGINIA

- 915 West Virginia University, Morgantown
26506 (304) 293-5421
 • Fairmont State College, Fairmont 26554
- (330) University of Maryland, College Park MD
20742 (301) 454-3245
 • Shepherd College, Shepherdstown
25443

WISCONSIN

- 925 University of Wisconsin, Madison 53706
(608) 262-3440
- (420) University of Minnesota at Duluth, Duluth
55812 (218) 726-8159
 • University of Wisconsin at Superior,
Superior 54880

WYOMING

- 940 University of Wyoming, Laramie 82071
(307) 766-2338

**AFROTC
RECIPIENT ALPHA LIST**

UNIT: 165 DATE: 6 MAY 86

**STATUS:S SSAN:123456789 NAME:JONES JOHN J MED:1
(1/1) (2/9) (3/27) (108/2)
ADDRESS:560 GASKELL CIR CITY:ALBUQUERQUE ST:NM ZIP:871106112
(4/26) (5/15) (6/2) (7/9)
PHONE:505 271 1756 DCF:4YY WILL ATTD:GEORGIA INSTITUTE OF TECHNOLOGY
(8/15) (126/8) (127 & AFFILIATE TABLE/40)**

**NOTE:--APPLICANTS SORTED BY GAINING UNIT THEN BY DESIGNEES AND ALTERNATES
-DOUBLE SPACE BETWEEN INDIVIDUALS**

DATE:06MAY86 FYSP CALL-IN INQUIRY/UPDATE FOR 005

SSAN	NAME	UNIT	DCF	STATUS	PREF 1	2
123456789	JONES JOHN J	00500	4IYY	T	4IYY	4MYT
987654321	MARTIN DAVID A	0050b		A	6YYY	4HYT
233211231	TURNER JAN P	0050g		L	4YYT	4IYT
345678912	WARD JOHN G	00500	4BYT	S	4BYT	4AYT
(2/9)	(3/27)	(127/5)	(126/4)	(1/1)	(33/4)	(33/4)
005 TOTAL -4						

**NOTE:--SPACE BEFORE SSAN ACCEPTS--OR BLANK AND IS KEYED TO DIN 134
-DOUBLE SPACE BETWEEN NAMES
-LINE BELOW THE INDIVIDUAL NAMES CAN BE USED TO NOTE CHANGES. ALL
SCREENS WITH CHANGES WILL PRINT. CHANGES WILL BE REVIEWED AND THEN
KEYED TO RECORD.**

FIXED STATISTICAL FILE

STATUS BY SEX AND RACE

STATUS	TOTAL	MALES	FEMALES-- 15 ETHNIC GROUPS LISTED IN DIN 11
Applied			
Selected			
Alternate			
Disqualified			

**FOUR-YEAR SCHOLARSHIP BOARD RESULTS
FINALISTS/DESIGNEES (% SELECTED)**

BOARDS	1	2	3	4	5	6	7	8	9	TOTALS
---------------	----------	----------	----------	----------	----------	----------	----------	----------	----------	---------------

- Finalists vs Designees
- Board Disqualified
- Alternates
- QEP
- Sex: Male
Female
- Race: (Those listed in DIN 11)
- Cadets: JROTC
OTHER
- Academic Means: CEEB
GPA
%

FOUR-YEAR SCHOLARSHIP DESIGNEES/ALTERNATES

MEAN MEDIAN MODE MAX MIN RANGE S.D.

Class Rank %ile

GPA

CEEB

SAT Math

SAT Verbal

ACT Math

ACT English

LABELS

FOLDER LABEL

SMITH, JOHN C.
585-12-4848

MAILING LABEL

JOHN C. SMITH (S)
4410 S. ANYWHERE ST.
ALBUQUERQUE, NM 871106612

FYSP RECORD HISTORY

SSAN:123456789 NAME:JONES JOHN J STATUS:5 RACE:C SEX:M
ADDRESS: 3410 APT:1644A STREET:SESAME STREET CITY:ALBUQUERQUE STATE:NM
ZIP:871106112 PHONE:5052711756 CEEB:1470 MATH: 30 VERB: 30 SOURCE:T
GPA:4.0 CLASS RANK:99 ADMIN UNIT: 501 INTERVIEW RATINGS:5 CADET PROFILE:4000
MEDICAL STATUS:1W MED DATE:051221 SCHOLARSHIP MAJOR:4YY SCHOOL/ATTED:505Aa

DOB:122167 LIVE OUT USA:N CITIZEN:Y FOREIGN TRAVEL:N RELATIVES:N PREV/COL:3
FILE INT:062105 ARMED FORCES:N OFF/TRAIN:N CIV/MV:N DEP ID: MORAL/OBL:N
HIGH SCHOOL:JOHN KENNEDY CITY:ALBUQUERQUE STATE:NM ZIP:871106113
GRAD/DATE:0686 PRES/GRADE: 12 GRADE/REF: 11 NO. CLASS: 593 CL/RANK: 2 CALC:1
CLAS PTS:1000 TRANS:Y HS/MIL/ORG: Y JROTC:A2016 YRS:3 RANK:K PTS:80 MAJ: 4YY 4YY

FYSP RECORD PAGE 2

COLLEGE PLANS:505 /510 /0558 ADCO:WE06 INTERVIEW REQ/DT:091405 DATE FILED:101405
CONF:5 NUR/REL: 5 PLAN:5 COMM: 5 LEAD:5 MDT:5 PTS:500 BRD DES:B RANK: 107
PANEL:2 MEM: 95 MEM: 95 MEM: 95 TOTAL:285 SCHOL/TYPE:A ALT/RANK: ACAD/INT:Y
TEACHERS:5 MOT:5.0 MD:5.0 INT:5.0 LEAD:5.0 COM/OTHER:5.0 RESP:5.0 INT:5.0 STAB:5.0
COMM: 5.0 PTS:1000 APPEAR MED: MED/DISQ: MERB DATE:0027
SCI/OFF:AIC3 PTS:90 MUSIC: PTS: PUBLISH: PTS:
ORG:B3C2D1 PTS:90 SCOUTS:C PTS:25 ACAD/MON:A1A2A3A4 PTS:40
DRAMA: PTS: WORK:AFK PTS:25 PILOT:ADF PTS:50 SPEAK:AD PTS:40
BASE:AFK BASK: BOX: CHER: SKI: SOCC: SWIM:
TENN: FOOT:AFK GOLF: GYM: HOCK: CROS:AFK FENC:
LACR: RFL: RUBB: TRAC: WRES: OTH:RODEO-A,F,K PTS:900

FYSP RECORD PAGE 3

PREV/STATUS:00416T1205C1120N0925 POSTCARDS: 7 COUNT: 2
DISQ CODES: OTHER ACAD HONORS:
HISTORY:GEN. GABRIEL INTEREST, AIR STAFF NOTIFIED SELECTION DEC 06

FYSP INQUIRY MODE

**-REFERENCING DIN TABLE--ENTER ONLY THREE DIGIT REQUESTS
-IF NO INFORMATION IS REQUIRED OF A STATEMENT, PRESS ENTER KEY.**

SELECT CRITERIA: DIN = 056

DISPLAY DINS: 002, 003, 056, 126

SORT BY: 056

PRINT FORMAT: 002, 003, 126, 056

TITLE: JROTC GUARANTEED ENGINEERING SCHOLARSHIP DESIGNEES BY JROTC UNIT

TOTAL:

AVERAGE:

PERCENTAGE:

LINE ITEMS: 130

DISPLAY/PRINT:

PRINTER LOCATION:

SAVE: YES

JROTC GUARANTEED ENGINEERING SCHOLARSHIP DESIGNEES BY JROTC UNIT

I SSAN	I INAME	I MAJOR I	JROTC I UNIT I
I (002/9) I---	I (003/27)	I (126/4) I---	I (056/5)

- NOTE:**
- IF NO INFORMATION IS REQUIRED OF A STATEMENT OPERATOR, PRESS ENTER KEY AND COMPUTER ADVANCES TO NEXT STATEMENT.**
 - SPACING AND HEADERS WILL APPEAR IN BOTTOM THIRD OF SCREEN BY PRESSING THE ENTER KEY AFTER COMPLETING THE PRINT FORMAT AND TITLE STATEMENTS.**
 - LINES CAN BE STACKED DURING PRINT FORMAT STATEMENT BY USING THE RETURN KEY.**
 - TITLE AUTOMATICALLY CENTERS ABOVE HEADERS.**
 - "LINE ITEMS" COMPUTED AND DISPLAYED PRIOR TO DISPLAY/PRINT STATEMENT.**
 - PRINTER LOCATION ONLY APPEARS IF PRINT IS SELECTED.**
 - THREE SPACES ARE AUTOMATICALLY PLACED BETWEEN DINS.**



**DEPARTMENT OF THE AIR FORCE
AIR FORCE RESERVE OFFICER TRAINING CORPS (ATC)
MAXWELL AIR FORCE BASE, AL 36112-6663**

Dear Scholarship Designee

Congratulations! As General Hearne has already told you, the Air Force ROTC Four-Year Scholarship Board has conditionally selected you to receive a scholarship. Read the attached checklist carefully; it contains important information regarding requirements you must meet in order to activate your scholarship. Please retain these documents for future reference.

Based on your Scholarship Selection Board ranking, the order of your preferences, and the number of scholarships available by academic major, your four-year Air Force ROTC scholarship has been conditionally awarded in the academic major code listed above. (Codes are identified on Attachment 2.) In order to use your scholarship next Fall, you must complete all the checklist requirements by the deadline given for each item. Questions relating to the particular ROTC unit you will join can best be answered by a member of the staff at that unit. For example, if the title of the degree program in which you are admitted does not match your intended scholarship academic major, ask ROTC unit personnel if the Air Force has determined if your actual major is an accepted substitute. In fact, even if you don't have any questions, it's still a good idea to contact your new unit just to make introductions and get some helpful insight into preparing for next Fall.

For questions relating only to our processing of your application, please call my office at (205) 293-7783 from 7:30 a.m. to 4:30 p.m. Central time or write to Air Force ROTC/Four-Year Scholarship Branch, Maxwell AFB, AL 36112-6663.

If you have changed your academic preferences and no longer wish to major in the field you previously indicated or an accepted substitute, you may send us a request to change majors. Consider the priorities listed in Attachment 2, but more importantly consider your own desires and capabilities. Please advise us in writing by 31 May 1986. If you want to discuss your situation first, please call us. Since it is impossible to answer all the questions you may have in a brief letter, we again encourage you and your parents to contact an Air Force ROTC unit on campus. You may call or visit either the unit closest to your home or the unit at the campus where you hope to enroll.

I extend my sincere congratulations to you on your selection as a scholarship designee. You have earned a high standing among the 15,000 high school students who applied for our scholarships this year. You should take great personal pride in your achievement, because all of these young men and women are among the finest students and citizens in their communities.

I encourage you to continue your pursuit of the Air Force ROTC opportunity. The Air Force needs young Americans like you to lead us into the next century.

Sincerely



STEVEN L. WEAVER, Captain, USAF
Chief, Four Year Scholarship Branch
Registrar Directorate

4 Atch

1. Checklist of Required Actions
2. Scholarship Academic Majors
3. AF Weight and Aerobics Standards
4. Statement of Intent Card (Form 92A)

I extend my sincere congratulations to you on your selection as a scholarship designee. You have earned a high standing among the 15,000 high school students who applied for our scholarships this year. You should take great personal pride in your achievement, because all of these young men and women are among the finest students and citizens in their communities.

I encourage you to continue your pursuit of the Air Force ROTC opportunity. The Air Force needs young Americans like you to lead us into the next century.

Sincerely



STEVEN L. WEAVER, Captain, USAF
Chief, Four Year Scholarship Branch
Registrar Directorate

4 Atch

1. Checklist of Required Actions
2. Scholarship Academic Majors
3. AF Weight and Aerobics Standards
4. Statement of Intent Card (Form 92A)

FYSP AWARD UPDATE

AN INDIVIDUAL WITH THE FOLLOWING BOARD RANK OR HIGHER IN A FIRST OR SECOND CHOICE IS A SCHOLARSHIP DESIGNEE:

4IYY : 0694
4A,B,EYY : 0535
4H,M,L,QYY: 0473
4D,T,NYY : 0473
4WYY : 0463
0CYT : 0250
6YYT : 0703
8HYT : 0121
8FYT : 0205
2CAT : 0225
1AYT,1AJT : 0220
1AAT : 0201
9BYT : 0198
9DYT : 0227
00DP : N/A
00ON : N/A
00OM : N/A

THE FOLLOWING CATEGORY(S) AND BOARD RANK ARE IN ADDITION TO THE ABOVE CRITERIA:

SEX - F: 600

AN INDIVIDUAL WITH THE FOLLOWING BOARD RANK OR HIGH IN A FIRST OR SECOND CHOICE IS AN ALTERNATE:

4IYY : 0745
4A,B,EYY : 0575
4H,M,L,QYY: 0500
4D,T,NYY : 0500
4WYY : 0472
0CYT : 0263
6YYT : 0725
8HYT : 0140
8FYT : 0230
2CAT : 0245
1AYT, 1AJT: 0240
1AAT : 0227
9BYT : 0204
00OP : N/A
00ON : N/A
00OM : N/A

THE FOLLOWING CATEGORY(S) AND BOARD RANK(S) ARE IN ADDITION TO THE ABOVE CRITERIA:

N/A

TABLE FILE LIST

TABLE NUMBER	TABLE CODE	DESCRIPTIVE TEXT	MAINT CODE	MAINT DATE	REMARKS
143	001004	012 BALDUS01850828SUMIV OF MONTEVALLO AL 35115	C	000921	
143	001005	019 BALDUS02304506ALABAMA STATE UNIV MONTGOMERY AL 361951	C	001130	
143	001006	005 BALDUS0267050275AUFURN UNIV AURORA AL 36809	C	000921	
143	001010	012 001005022505910906BIRMINGHAM SOUTHERN COLLEGE BIRMINGHAM AL	C	000921	
143	001011	019 BUCAS052650909500AUGUSTA COLLEGE MONTGOMERY AL 36106	C	001130	
143	001022	012 3JHMS0531250960JEFFERSON STATE JR COLLEGE BIRMINGHAM AL	C	000921	
143	001026	012 0010250108502800MILES COLLEGE BIRMINGHAM AL 35208	C	000921	
143	001036	012 00C1850526050827SSAMPFORD UNIV BIRMINGHAM AL 35209	C	000921	
143	001047	017 01JKAS0522825090MINCY STATE UNIV IRON AL 36002	C	001002	
143	001049	019 00HJAS0406050917WIRCY STATE UNIV IN MONTGOMERY AL 36104	C	001130	
143	001050	015 01UF050590502801USKEGEE INSTITUTE USKEGEE AL 36000	C	001015	
143	001051	010 00LJAS0513050826SUMIV OF ALABAMA UNIVERSITY AL 35000	C	000921	
143	001052	012 00UV050526050916UNIV OF ALABAMA IN BIRMINGHAM AL	C	000921	
143	001059	012 00AUS0527050903ULANSON STATE COMM COLLEGE BIRMINGHAM AL	C	000927	
143	001074	025 00GD050525050929SGRAND CANYON COLLEGE PHOENIX AZ 05017	C	001111	
143	001075	025 00MP0005160002756LENDALE COMMUNITY COLLEGE GLENDALE AZ	C	020101	
143	001077	025 00NF050516050826MESA COMMUNITY COLLEGE MESA AZ 05202	C	001111	
143	001078	025 00PC050515050826SPHONENIA COLLEGE PHOENIX AZ 05013	C	001111	
143	001079	020 00AZ050516050905YALAPAZ COLLEGE PRESCOTT AZ 06301	C	001010	
143	001081	025 00AK050517050826ARIZONA STATE UNIV TEMPE AZ 05281	C	001111	
143	001082	027 00AR050517050929SUNRISE ARIZONA UNIV FLAGSTAFF AZ	C	001002	
143	001083	020 00AK050517050926SUMIV OF ARIZONA TUCSON AZ 05721	C	001010	
143	001113	055A0ALR050601050827SANTOPE VALLEY COLLEGE LANCASTER CA 93534	C	001214	

T

C

C

TABLE NUMBER	TABLE CODE	DESCRIPTIVE TITLE	PAYRY CODE	PAYRY DATE	REMARKS
--------------	------------	-------------------	------------	------------	---------

143	001122	060-ERIC0505155029-SADINA UNIVERSITY LA MIRADA CA	C	001207	
143	001124	005-EC060404700E31CABEALLG COLL APICS CA 95003	A	001205	
143	001131	040-EC02050160510101CALIFORNIA INSTITUTE OF TECH PASADENA	C	001203	
143	001133A	055-EC060505230512205CAL LUTHERAN COL THOUSAND OAKS 91360	C	001211	
143	001133L	040-EC060505260509205CAL LUTHERAN COLLEGE THOUSAND OAKS CA 91360	C	001203	
143	001137A	055-EC060505260512210CAL STATE UNIV AT FULLERTON CA 92630	C	001213	
143	001137L	055AEC060505310509090CAL STATE UNIV AT FULLERTON FULLERTON CA	C	001210	
143	001137C	0555EC060505090509030CAL STATE UNIV AT FULLERTON 92630	C	001205	
143	001137D	140-EC060505260509045CAL STATE UNIV AT FULLERTON FULLERTON CA	C	001203	
143	001136	005-EC060505150509230CAL STATE UNIV AT HAYWARD HAYWARD CA 94542	C	001130	
143	001134	055-EL060505050509260CAL STATE UNIV AT LONG BEACH 90815	C	001213	
143	001139A	055HEL060505300509030CAL STATE UNIV AT LONG BEACH CA 90801	C	001205	
143	001139C	055HEL060505300509040CAL STATE UNIV LONG BEACH 90800	C	001214	
143	001140A	055-EC060505150509260CAL STATE UNIV AT LOS ANGELES CA 90032	C	001213	
143	001140B	040-EC060505090509190CAL STATE UNIV AT LOS ANGELES LOS ANGELES	C	001203	
143	001140C	055BEC060505050509230CAL STATE LOS ANGELES 90032	C	001205	
143	001140E	055AEC060505050509260CAL STATE UNIV LOS ANGELES 90032	C	001210	
143	001141A	055-EC060505150512170CAL STATE COL-DUNNINGUEZ HILLS CA 90747	C	001211	
143	001141B	055AEC060505140509270CAL STATE UNIV DUNNINGUEZ HILLS CA 90747	C	001210	
143	001141C	055BEC060505140509260CAL STATE UNIV DUNNINGUEZ HILLS 90747	C	001205	
143	001141D	040-EC060505130509190CAL STATE UNIV DUNNINGUEZ HILLS CA 90747	C	001203	
143	001142A	055-ESCC060505140512090CAL STATE COLLEGE SAN BERNARDINO CA 92407	C	001213	
143	001142B	055AESC060505130509200CAL STATE COLLEGE SAN BERNARDINO CA 92407	C	001210	

TABLE CODE DESCRIPTIVE TEXT MAINT CODE MAINT DATE REMARKS

01	001120C	0558ECC05415050922UCAL STATE COLL SAN BERNARDINO 92807	C	041205	
01	001120U	000 ESCOLASUE16050919UCAL STATE COLLEGE SAN BERNARDINO 92407	C	041203	
01	001104A	055 ECH050517051207UCAL STATE POLYTECH UNIV AT POMONA CA	C	041213	
01	001104B	055AEC0F050517050919UCAL STATE POLYTECH UNIV AT POMONA CA	C	041210	
01	001104C	055BEC0F050517050923UCAL STATE POLYTECH UNIV AT POMONA 91760	C	041205	
01	001104D	060 ECH050517050919UCAL STATE POLYTECH UNIV AT POMONA POPUNA	C	041203	
01	001107A	035 EEF050520050913UCALIFORNIA STATE UNIV FRESNO CA 93740	C	041015	
01	001107U	006 ECA050526050913UCAL STATE UNIV AT SACRAMENTO CA	C	041212	
01	001151	075 ECH050517050923SADIEGO STATE UNIV SAN DIEGO CA 92182	C	041206	
01	001153A	055 ESB050524050913UCAL STATE UNIV AT NORTHBRIDGE NORTHBRIDGE CA	C	041213	
01	001153B	055AES06080601050927UCAL STATE UNIV NORTHBRIDGE NORTHBRIDGE CA	C	041214	
01	001151C	000 ESB050517050923UCAL STATE UNIV AT NORTHBRIDGE NORTHBRIDGE CA	C	041203	
01	001150	000 EBF050520050929SAR FRANCISCO STATE UNIV SAN FRANCISCO	C	040921	
01	001155	005 EBF050522050920SAR JOSE STATE UNIV SAN JOSE CA 95192	C	041210	
01	001150	005 ESD050516050926SUNOLA STATE COLL SOMMERT PARK 90924	C	041130	
01	001162	005 ECH050521050916UCONNACT COLLEGE HAYWARD CA 94565	C	041130	
01	001164A	055BEC0C050622050914UCOFFEY COLLEGE ALTA LOMA 91702	C	041205	
01	001164E	000 ECH050517050914UCOFFEY COLLEGE ALTA LOMA CA 91701	C	041203	
01	001164A	055AEC0C050524050907SCHAPMAN COLLEGE ORANGE CA 92666	C	041210	
01	001164C	000 ECH050517050905UCORNFAB COLLEGE ORANGE CA 92666	C	041203	
01	001164A	055BEC0E050615050913UCITRUS COLLEGE AZUSA 91702	C	041205	
01	0011600	000 ECF050513050913UCITRUS COLLEGE AZUSA CA 91702	C	041203	
01	001107	005 EBF050520050908UCITY COLL OF SAN FRANCISCO	C	041130	

45-3

TABLE NUMBER	DESCRIPTIVE TEXT	MARK CODE	UNIT DATE	REMARKS
143	060 ELLC05051025055CLAREMONT COLLEGE CLAREMONT CA	C	061203	
143	060 EHA05051055055SHARKEY FOOD COLLEGE CLAREMONT 91711	C	061203	
143	060 EBOC05051055055SUMNER COLLEGE CLAREMONT CA 91711	C	061203	
143	035 ECFK05052205055WEST MILLS COLLEGE COLINGA CA 93210	C	061026	
143	080 ECFM0505061005102406SMELL COLLEGE SAN FRANCISCO CA 94108	C	040921	
143	085 ENUG05052205055SUMNER COLLEGE DANLAND 94619	C	041130	
143	035 E5LL05052805055COLLEGE OF THE SEVOTIAS VISALIA CA 93217	C	041026	
143	060 ECE0505061205055COMMUNITY COLLEGE COMPTON CA	C	041203	
143	085 ECP0505062805055COSTA COLLEGE SAN PABLO CA 94808	C	041130	
143	085 E6CB05053005055VALLEY COLLEGE PLEASANT HILL CA	C	041130	
143	055 E6CG05050605055CYPRESS COLLEGE CYPRESS CA 90630	C	041214	
143	055 E6CE0505062805055CYPRESS COLLEGE CYPRESS 90630	C	041205	
143	060 E6CM05050605055CYPRESS COLLEGE CYPRESS CA 90630	C	041203	
143	080 E00C05052205055INDIAN COLLEGE OF SAN RAFAEL	C	040921	
143	055 E6EC105050505055SEL CORNIO COLLEGE TORRANCE CA 90506	C	041214	
143	055 E6EC105050505055SEL CORNIO COLL TORRANCE 90506	C	041205	
143	060 E6CI0505061405055SEL CORNIO COLLEGE TORRANCE CA 90506	C	041203	
143	045 E6DS0505062205055REDWOOD COL LOS ALTOS HILLS 94022	C	041214	
143	055 E6ED05050605055SULLENTON COLLEGE FULLERTON CA 92634	C	041214	
143	055 E6ED05050605055SULLENTON COLLEGE FULLERTON 92634	C	041205	
143	060 E6ER05050605055SULLENTON COLLEGE FULLERTON CA 92634	C	041203	
143	080 E6GN0505061005055GLENDALE COMMUNITY COLLEGE GLENDALE CA	C	041203	
143	080 E6GC0505061705055SULLENTON COLLEGE FULLERTON CA 94105	C	040921	

7-54

TABLE FILE LIST

TABLE NUMBER	TABLE CODE	DESCRIPTIVE TEXT	MAINT CODE	MAINT DATE	REMARKS
143	001204	USSAECG10833050103GULDER WEST COLLEGE HUNTINGTON BEACH CA	C	041214	
143	001204	0554ECG10833050103GULDER WEST COLL HUNTINGTON BEACH 92497	C	041205	
143	001204	080 ECG10833050103SULLEN WEST COLLEGE HUNTINGTON BEACH CA	C	041203	
143	001207	085 E6DC052205019096RAGUATE THEOLOGICAL UNION 90709	C	041130	
144	001204	075 E67Y052205019096RAGUATE COMMUNITY COLLEGE EL CAJON CA	C	041206	
144	001216	055 EKSS05220501222SUMIV DE LAVERNE LAVERNE CA 91750	C	041213	
143	001219A	055BEL052205019096RAGUATE BEACH CITY COLL LONG BEACH 90808	C	041205	
143	001219B	056 EL0E052205019096RAGUATE BEACH CITY COLLEGE LONG BEACH CA	C	041203	
143	001222A	040 EEC05220501222SEAST LOS ANGELES COLLEGE MONTEREY PARK CA	C	041203	
143	001223A	055AELOC052205019096RAGUATE LOS ANGELES CITY COLLEGE LOS ANGELES CA	C	041210	
143	001223B	040 EL0C052205019096RAGUATE LOS ANGELES CITY COLLEGE LOS ANGELES CA	C	041203	
143	001224A	055AELOC052205019096RAGUATE LOS ANGELES CITY COLLEGE WILMINGTON CA	C	041214	
143	001224B	055BELOC052205019096RAGUATE LOS ANGELES MARJOR COLL WILMINGTON 90749	C	041205	
143	001224C	040 EL0P052205019096RAGUATE LOS ANGELES MARJOR COLL WILMINGTON CA	C	041203	
143	001226A	055AEPC052205019096RAGUATE LOS ANGELES PIERCE COLLEGE GOODLAND HILLS	C	041214	
143	001226B	040 EPC052205019096RAGUATE LOS ANGELES PIERCE COLLEGE GOODLAND HILL	C	041203	
143	001227A	055AELOC052205019096RAGUATE LOS ANGELES TRADE TECH COLLEGE LOS ANGELES	C	041210	
143	001227B	040 EL0S052205019096RAGUATE LOS ANGELES TRADE TECH COL LOS ANGELES CA	C	041203	
143	001228A	055AELOC052205019096RAGUATE LOS ANGELES VALLEY COLLEGE VAN NUYS CA	C	041214	
143	001228B	040 EL0I052205019096RAGUATE LOS ANGELES VALLEY COLLEGE VAN NUYS CA 91401	C	041203	
143	001231A	080 ESR052205019096RAGUATE LOS ANGELES SACRAMENTO CITY COLL SACRAMENTO 95822	C	041212	
143	001237	035 EPE052205019096RAGUATE MERCED COLLEGE MERCED CA 95300	C	041026	
143	001238	085 EXIP052205019096RAGUATE OAKLAND COLLEGE OAKLAND CA 94613	C	041130	

45-5

PREPARED 84 DEC 20

AFOETIC CADRE PERSONNEL

AS OF 84 DEC 20 PCN UM0800158

TABLE FILE LIST

TABLE NUMBER	TABLE CODE	DESCRIPTIVE TEXT	FAMILY CODE	DATE	REMARKS
--------------	------------	------------------	-------------	------	---------

143	001263A	055 EADY850531A512215MUMI ST MARY'S COLLEGE LA CA 90089	C	001213	
-----	---------	---	---	--------	--

143	001263E	055AEMV050526059102EULAT SAINT MARY'S COLLEGE LOS ANGELES CA	C	001214	
-----	---------	--	---	--------	--

143	001265A	055BEMT050615250913 SHI SAN ANTONIO COLL WALNUT CA 91799	C	001207	
-----	---------	--	---	--------	--

143	001265B	060 EKL1650614050916S I SAN ANTONIO COLLEGE WALNUT CA 91789	C	001203	
-----	---------	---	---	--------	--

143	001266A	055AEMR050615050910SPOUNT SAN JACINTO COLLEGE SAN JACINTO CA	C	001214	
-----	---------	--	---	--------	--

143	001266A	055 EAD0450617451215W00RTHKCP UNIV INGLEWOOD CA 90306	C	001213	
-----	---------	---	---	--------	--

143	001266B	055AEND050620050910W0RTHKCP UNIV INGLEWOOD CA 90306	C	001214	
-----	---------	---	---	--------	--

143	001266C	060 EML050617050923W0RTHKCP UNIV INGLEWOOD CA 90306	C	001203	
-----	---------	---	---	--------	--

143	001269	060 ECC050612850910CCOCCIDENTIAL COLLEGE LOS ANGELES CA 90061	C	001203	
-----	--------	---	---	--------	--

143	001250A	055BEO050530050919SCRABGE COAST COLL COSTA MESA 92626	C	001203	
-----	---------	---	---	--------	--

143	001250B	055AEC050530050919SCHAGE COAST COLLEGE COSTA MESA CA 92626	C	001214	
-----	---------	--	---	--------	--

143	001250C	060 ECD050530050919SCHAGE COAST COLLEGE COSTA MESA CA 92626	C	001203	
-----	---------	---	---	--------	--

143	001260	075 EPC050614050915SPALOPAR COLLEGE SAN MARCOS CA 92069	C	001206	
-----	--------	---	---	--------	--

143	001261A	055AEP050615050910SPARADENA CITY COLLEGE PASADENA CA 91106	C	001214	
-----	---------	--	---	--------	--

143	001261B	055BEP050614050913SPARADENA CITY COLL PASADENA 91106	C	001203	
-----	---------	--	---	--------	--

143	001261C	060 EPCF050614050913SPARADENA CITY COLLEGE PASADENA CA 91106	C	001203	
-----	---------	--	---	--------	--

143	001262	075 EPA0506070509250PDI01 LOMA COLLEGE SAN DIEGO CA 92106	C	001206	
-----	--------	---	---	--------	--

143	001260A	055AEG050615050910PEPPERDINE UNIVERSITY MALIBU CA 90263	C	001214	
-----	---------	---	---	--------	--

143	001260B	060 EGEN050710050910PEPPERDINE UNIV MALIBU CA 90263	C	001203	
-----	---------	---	---	--------	--

143	001266	085 EL06050613050928LANEY COLLEGE OAKLAND CA 98619	C	001130	
-----	--------	--	---	--------	--

143	001267	085 EY06050613050913SHERBILT COLLEGE OAKLAND CA 98619	C	001130	
-----	--------	---	---	--------	--

143	001269A	055AER050615050910BRIC MURDO COLLEGE WHITTIER CA 90080	C	001214	
-----	---------	--	---	--------	--

143	001269B	055BER050614050919BRIC MURDO COLLEGE WHITTIER 90080	C	001203	
-----	---------	---	---	--------	--

9-54

AFRICAN CADET PERSONNEL
TABLE FILE LIST

PREPARED 04 DEC 20

MAINT CODE MAINT DATE REMARKS

TABLE NUMBER	TABLE CODE	DESCRIPTIVE TEXT	MAINT CODE	MAINT DATE	REMARKS
143	001269C	060 EHXKX540745L06SRIC HUNSD COLLEGE WHITTIER CA 90608	C	041203	
143	001270A	055AE00545614450910RIVERSIDE CITY COLLEGE RIVERSIDE CA 92506	C	041214	
143	001271B	055AE00545614450910RIVERSIDE CITY COLLEGE RIVERSIDE 92506	C	041209	
143	001272A	055AE00545614450910RIVERSIDE CITY COLLEGE RIVERSIDE 92506	C	041214	
143	001272B	055AE00545614450910RIVERSIDE CITY COLLEGE RIVERSIDE 92506	C	041205	
143	001272C	055AE00545614450910RIVERSIDE CITY COLLEGE RIVERSIDE 92506	C	041203	
143	001275	075 EME454529050619388A OREGON COMMUNITY COL MESA COL SAN DIEGO	C	041214	
143	001282	085 ESLC0544445041233AA JOSE CITY COL 2001 MOORPARK 95128	C	041214	
143	001284A	055AE00545614450910RIVERSIDE CITY COLLEGE RIVERSIDE 92506	C	041205	
143	001284B	055AE00545614450910RIVERSIDE CITY COLLEGE RIVERSIDE 92506	C	041213	
143	001284C	055AE00545614450910RIVERSIDE CITY COLLEGE RIVERSIDE 92506	C	041214	
143	001284D	055AE00545614450910RIVERSIDE CITY COLLEGE RIVERSIDE 92506	C	041214	
143	001290	08A E3L285460745090831ERRA COLL ROCALIN 95677	C	040727	
143	001292	080 ECD7A052144091990LAND JR COLL FAIRFIELD CA 94533	C	041206	
143	001294	075 E3A005631450910RIVERSIDE CITY COLLEGE RIVERSIDE 92506	C	041130	
143	001302	085 E3D4505204509133SL MARYS COLLEGE MORAGA CA 94575	C	041214	
143	001305	085E04505204509133SL MARYS COLLEGE MORAGA CA 94575	C	020101	
143	001307	085 E3D4505204509133SL MARYS COLLEGE MORAGA CA 94575	C	041026	
143	001308	085 ERDC056522050919SKANS RIVER COMU COLLEGE CA 91650	C	041130	
143	001312	085 ECAJ056170509193UMILY OF CA BERNLEY BERNLEY CA 94720	C	041212	
143	001313A	085 EDJ05610050920UMILY OF CALIF AT DAVIS 95016	C	031205	
143	001314	060 E1M04046160100UMILY OF CA IRVINE CA 92600	C	041213	
143	001314A	055 E1M04046160100UMILY OF CALIF IRVINE 92717	C	041213	

15-2

TABLE NUMBER	DESCRIPTIVE TITLE	MAINT CODE	MAINT DATE	REMARKS
142	USSEEM0505072509150UNIV OF CAL IRVINE IRVINE CA 92717	C	001205	
143	USS5UNL4501450930UNIV OF CALIFORNIA AT LOS ANGELES CA	C	001213	
143	USS5ENDE501250120UNIV OF CALIFORNIA RIVERSIDE CA 92521	C	001213	
143	USS5EJ105016050924UNIV OF CALIFORNIA RIVERSIDE RIVERSIDE CA	C	001214	
143	USS5EJ165011051000UNIV OF CALIF RIVERSIDE 92521	C	001205	
143	USS5EJ105011051000UNIV OF CALIFORNIA RIVERSIDE RIVERSIDE CA	C	001203	
143	US5508500150509160UNIV OF CALIFORNIA SAN DIEGO LA JOLLA CA	C	001206	
143	US5506500120510140UNIV OF CAL SAN FRANCISCO MED CTR SAN FRAN	C	000192	
143	US5508500140509260UNIV OF CAL AT SANTA BARBARA 93106	C	001213	
143	USS5E8EAS05200508200UNIV OF REDLANDS REDLANDS CA 92373	C	001214	
143	US5508500170509030UNIV OF SAN FRANCISCO SAN FRANCISCO CA	C	000921	
143	US5508500170509190UNIV OF SANTA CLARA SANTA CLARA CA 95053	C	001214	
143	US5508500130509030UNIV OF SUTHERN CALIFORNIA LOS ANGELES CA	C	001203	
143	US5508500110000220UNIV OF PACIFIC STOCKTON CA 95211	C	000727	
143	US5508500170509030UNIV OF VENTURA VENTURA CA 93003	C	001203	
143	US5508500120509040UNIV OF VALLEY COLLEGE VICTORVILLE CA 92403	C	001214	
143	US55085001205090810UNIV OF VALLEY COLLEGE SANATECA CA 95070	A	031205	
143	US5508500120509050UNIV OF SHERIDAN COLLEGE YANINA GANAPPA CA 93168	C	001216	
143	US5508500120509040UNIV OF COLLEGE MITCHELL COLLEGE MITCHELL CA 90000	C	001203	
143	US5508500120509040UNIV OF COLLEGE MARYSVILLE CA 95901	C	000727	
143	US5508500120509040UNIV OF COLLEGE LITTLETON CO 80120	C	000920	
143	US5508500120509030UNIV OF SCHOOL OF MINES GOLDEN CO 80401	C	000920	
143	US5508500120509100UNIV OF NORTHERN COLORADO GREELEY CO 80639	C	000921	

0-517

AFRIC. CADET PERSONNEL AS OF 04 DEC 20 PCN UN000-159

REPARC 04 DEC 20

TABLE FILE LIST

TABLE NUMBER	TABLE CODE	DESCRIPTIVE TEXT	MAINT CODE	MAINT DATE	REMARKS
--------------	------------	------------------	------------	------------	---------

143	C-1350	090 ECG685051145U908SCOLORADO STATE UNIV FORT COLLINS CO 80523	C	841002	
143	C-1360	105 EREY850517350827METROPOLITAN STATE COL DENVER CO 80204	C	840924	
143	C-1363	105 ERECA5050385U827SEEGIS COLLEGE DENVER CO 80221	C	840924	
143	C-1370	105 ECK685052685U9055SLIV OF COLORADO BOULDER CO 80309	C	840924	
143	C-1371	105 ECK685052685U9055SLIV OF DENVER DENVER CO 80208	C	840924	
143	C-1374	115 ACH685051745U903SCENTRAL CI ST UNIV NEW BRITAIN CT 06050	C	841126	
143	C-1380	115 ADADA5051745U903SCENTRAL CI ST UNIV DANBURY CT 06810	C	841126	
143	C-1408	115 A8K685051745U9055SULTERPM CI ST UNIV NEW HAVEN CT 06515	C	841126	
143	C-1414	115 ATRCA5052245U903SIRIRIY COLLEGE HARTFORD CT 06106	C	841126	
143	C-1422	115 AHV685051505U903SL OF HARTFORD WEST HARTFORD CT 06117	C	841126	
143	C-1424	115 ALH685051585U903SNESELEYH UNIVERSITY MIDDLETOWN CT 06957	C	841130	
143	C-1425	115 AXI685051745U903SEASTERN STATE UNIV WILLIAMPTIC CT 06226	C	841126	
143	C-1426	115 AYAA685051245U903STATE UNIVERSITY NEW HAVEN CT 06524	C	841130	
143	C-142A	128ADEA 8502985093245U903SCLARAKE STATE COLLEGE DOVER DE	C	841214	
143	C-1431	128 ADECA5050145U903SUNIV OF DELAWARE DELAWARE 19711	C	841207	
143	C-143A	130 AAND685051585U903SREICAN UNIV WASHINGTON DC 20016	C	841126	
143	C-1437	130 ACH685050945U903SSTIME CATHOLIC UNIV OF AMERICA WASHINGTON DC	C	841126	
143	C-144A	130 AGE14505085U903S245EGERGE WASHINGTON UNIV WASHINGTON DC 20052	C	841126	
143	C-1445	130 AGE245051805U903S245EGERGE WASHINGTON UNIV WASHINGTON DC 20054	C	841126	
143	C-1448	130 ABG685051205U903S19SEORARD UNIV WASHINGTON DC 20059	C	841126	
143	C-146A	130 ATRDA685051145U903S245EGERGE WASHINGTON UNIV WASHINGTON DC 20017	C	841126	
143	C-1460	155 BHAL685050605U903S245EGERGE MIAMI FL 33161	C	841105	
143	C-1467	157 BREZ6850513503305245EGERGE COL DAYTONA BEACH FL 32015	C	840924	

AFROIC CAPEI PERSONNEL
TABLE FILE LIST

TABLE NUMBER	DESCRIPTION	TABLE CODE	TABLE DATE	REMARKS
143	00146	155 03J06505050830881	THOMAS OF VILLANOVA UNIV MIAMI FL	C 041105
143	00147	159 25J0650505082090REWARD	COMMUNITY COLLEGE GUGCA FL 32922	C 041015
143	001475	157 00V0552205083090DAYTONA	BEACH COP CULL DAYTONA FL 32015	C 040925
143	001479	157 00V055020509090RIEMANN	WIDOLE AERO UNIV DAYTONA FL 32019	C 040925
143	001480	105 0FL0450205082090FLORIDA	ARM UNIV TALLAHASSEE FL 32307	C 041213
143	001485	155 0FL0450205082090FLORIDA	MEMORIAL COLLEGE MIAMI FL 33050	C 040105
143	001486	159 0FL045020509090FLA	SUN CUL MCCOY CAM ORLANDO 32015	C 041015
143	001489	105 0FL0450205082090FLORIDA	STATE UNIV TALLAHASSEE FL 32306	C 041213
143	001504	155 00V0550205082090DAYTONA	COMMUNITY CULL FT LAUDERDALE FL	A 041105
143	001502	159 00V0550205082090DAYTONA	COMM COL LEEBURG FL 32740	C 041015
143	001504	159 00V0550205082090DAYTONA	COMMUNITY COLLEGE MIAMI FL	C 041105
143	001514	158 00V0550205082090DAYTONA	COMM CULL WINTER HAVEN 33080	C 041010
143	001519	150 00V0550205082090DAYTONA	FE COM COL GAINESVILLE FL 32602	C 041110
143	001520	159 0SE065020509090SEMINOLE	COM COLL SAFFORD FL 32771	C 041015
143	001524	158 00V0550205082090DAYTONA	COLL ST LEG FLA 33574	C 041010
143	001526	150 00V0550205082090DAYTONA	PETERSBURG JUNIOR COL FL 33733	C 041010
143	001533	145 00V0550205082090DAYTONA	COMM COL FL 32304	C 021213
143	001535	150 0FL0450205082090FLORIDA	UNIV OF FLORIDA GAINESVILLE FL 32611	C 041110
143	001536	155 00V0550205082090DAYTONA	UNIV OF MIAMI CORAL GABLES FL 33124	C 041105
143	001537	158 00V0550205082090DAYTONA	UNIV OF SOUTH FLORIDA TAMPA 33620	C 041010
143	001538	158 00V0550205082090DAYTONA	UNIV LE TAMPA TAMPA 33606	C 041213
143	001542	165 00V0550205082090DAYTONA	SCOTT COLLEGE DECATUR GA 30030	C 041110
143	001550	165 00V0550205082090DAYTONA	CLARK COLLEGE ATLANTA GA 30314	C 041110

45-10

TABLE NUMBER	TABLE CODE	DESCRIPTIVE TEXT	MAINT CODE	MAINT DATE	REMARKS
--------------	------------	------------------	------------	------------	---------

143	001569	165 062A5050627650917AGEORGIA INSTITUTE OF TECHNOLOGY ATLANTA GA	C	001130	
143	001570	165 2522050419850926SOUTHERN TECH INST 30060	C	001130	
143	001574	165 062A5050627650915GEORGIA STATE UNIV ATLANTA GA 30310	C	001130	
143	001579	164 077A050607650923MEDICAL COLLEGE OF GEORGIA AUGUSTA GA	C	000920	
143	001582	165 062A5050627650925SUNY COLLEGE OF AILANTIA GA 30314	C	001130	
143	001583	165 062A5050627650925SUNY COLLEGE AILANTIA GA 30314	C	001130	
143	001594	165 062A5050627650925SUNY COLLEGE AILANTIA GA 30314	C	001130	
143	001598	160 062A5050627650923UNIV OF GEORGIA ATHENS GA 30602	C	000920	
143	001599	172 50AA05060850918VALDOSTA STATE COLLEGE VALCUSTA GA 31698	C	000920	
143	001605	175 062A5050627650926SCHMINADE UNIV OF HONOLULU HONOLULU HI	C	001206	
143	001610	175 062A5050627650926SUNY OF HAWAII AT MANUA HONOLULU HI 96822	C	001206	
143	001612	175 062A5050627650926SUNY COLLEGE HONOLULU HI 96817	C	001206	
143	001613	175 062A5050627650926SUNY COMMUNITY COLLEGE HONOLULU HI	C	001206	
143	001620	905 062A5050627650926SUNY OF IDAHO MUSCOO IDAHO 83041	C	001002	
143	001636	206 062A5050627650926SUNY BELLEVILLE AREA COLL BELLEVILLE IL 62221	C	001206	
143	001608	195 062A5050627650926SUNY COLLEGE CHICAGO IL 60640	C	001207	
143	001649	195 062A5050627650926SUNY RICHARD J DALEY COLLEGE CHICAGO IL 60652	C	001207	
143	001651	195 062A5050627650926SUNY COLLEGE CHICAGO IL 60612	C	001207	
143	001652	195 062A5050627650926SUNY COLLEGE CHICAGO IL 60691	C	001207	
143	001654	195 062A5050627650926SUNY COLLEGE CHICAGO IL 60621	C	001207	
143	001655	195 062A5050627650926SUNY COLLEGE CHICAGO IL 60610	C	001207	
143	001670	195 062A5050627650926SUNY COLLEGE ELMHURST IL 60120	C	001207	
143	001681	195 062A5050627650926SUNY COLLEGE OF TECHNOLOGY CHICAGO	C	001207	

11-54

AFROIC CADET PERSONNEL
TABLE FILE L191

TABLE SERIAL	TABLE CODE	DESCRIPTIVE TEXT	PAYTY CODE	PAYTY DATE	REMARKS
143	041593	195 CA263052612548161207WEATHERS ILLINOIS UNIV CHICAGO IL	C	041207	
143	041694	195 CC4645623056271CHICAGO STATE UNIV CHICAGO IL 60628	C	041205	
143	041690	195 CU04850512581271SHERMANSPALL LAB SCHOOL CHICAGO 60604	C	041207	
143	041707	195 CLER50511856265LEWIS UNIV LOCKPORT IL 60441	C	041207	
143	041722	206 CR040505316505305305CRESWELKE COLLEGE LEBANON IL 62254	C	041206	
143	041734	195 CR048506150505090406DEH CENTRAL COLL WAPERVILLE 60566	C	041207	
143	041737	195 CRER50511856265WERTHERN ILL UNIV DEKALB ILL 60115	C	041207	
143	041739	195 CRER50511856265WESTERN UNIV EVANSTON IL 60201	C	041207	
143	041758	205 CS048505108508195508MERCY ILLINOIS UNIV CARBONDALE IL	C	041217	
143	041759	206 CS048506098508260SOUT ILLI UNIV AT EDWARDSVILLE 62026	C	041204	
143	041768	195 CS066505222504295SAINI XAVIER COLLEGE CHICAGO IL 60655	C	041207	
143	041773	195 CI46850522250822STRITION COLLEGE RIVER GROVE IL 60171	C	041207	
143	041776	195 CING650615850930UNIV OF ILLINOIS AT CHICAGO CIRCLE IL	C	041207	
143	041788	215 CR048505195508290SEUTLER UNIV INDIANAPOLIS IN 46208	C	041005	
143	041792	215 CR048405168408290DEPAUK UNIV GREENCASTLE IN 46135	C	030201	
143	041604	215 CINE650630850902510CIAMA UNIV BLOOMINGTON IN 47901	C	041106	
143	041613	215 CI0405050785062310CIAMA UNIV PURDUE UNIV AT INDIANAPOLIS	C	041106	
143	041616	225 CI0485050385043304CIAMA UNIV AT SUIWIM BEND SOUTH BEND IN	C	040924	
143	041617	205 CINY4505108508290SINGCIAMA UNIV SOUTHEAST NEW ALBANY KY 47159	C	041126	
143	041621	215 CMAX6505038508260SABRIAN COLLEGE INDIANAPOLIS IN 46222	C	041106	
143	041625	220 CRUC6505118508260SQUOUE UNIV LAFAYETTE IN 47907	C	040924	
143	041634	215 CS048505222509090RUSE-PHILMAY INST OF TECH TERRE HAUTE 47803	C	041106	
143	041636	225 CS048505154508275S1 KARYS COLLEGE NOTRE DAME IN 46556	C	040924	

TABLE NUMBER	TABLE CODE	DESCRIPTIVE TEXT	MAINT CODE	MAINT DATE	REMARKS
143	001800	225 CAMPUS 51850827SUNIV OF IOWA DAVIS MOIRE DAME IN 46556	C	890924	
143	001800	250 UCHM 5051850827SUNIV OF IOWA DAVIS MOINES IA 50311	C	891004	
143	001809	250 UJUB 5051850827SUNIV OF IOWA STATE UNIV AMES IA 50010	C	891004	
143	001802	255 DIJUB 5051850827SUNIV OF IOWA IOWA CITY IA 52242	C	891111	
143	001828	273 UNAF 5051785026SUNIV OF IOWA STATE UNIV MACHAITAN KS 66506	C	891004	
143	001808	284 UNK 5051850827SUNIV OF IOWA STATE UNIV LAWRENCE KS 66045	C	891213	
143	001849	280 CAAG 50512850619SUNIV OF IOWA STATE UNIV TULSA OK 74121	C	891213	
143	001854	295 CHECA 5051850827SUNIV OF IOWA STATE UNIV LOUISVILLE KY 40205	C	891126	
143	001860	295 CANE 50512850626SUNIV OF IOWA STATE UNIV LOUISVILLE KY 40203	C	891126	
143	001863	290 CEAL 50504850629 EASTERN KENTUCKY UNIV RICHMOND KY 40475	C	890924	
143	001864	290 CCEL 50502650823SUNIV OF IOWA STATE UNIV GEORGETOWN KY 40324	C	890924	
143	001868	294 CEAL 5051850827SUNIV OF IOWA STATE UNIV FRANKFORT KY 40601	C	890924	
143	001874	295 CLUL 50523850904SUNIV OF IOWA STATE UNIV THEOLOGICAL SEM KY 40205	C	891126	
143	001875	290 CVAL 50519050222SUNIV OF IOWA STATE UNIV MIDWAY KY 40347	C	890924	
143	001882	295 CSW 50527850494SUNIV OF IOWA STATE UNIV LOUISVILLE KY 40206	C	891126	
143	001887	290 CIAB 50525850944SUNIV OF IOWA STATE UNIV LEXINGTON KY 40508	C	890924	
143	001889	290 CKE 50502650823SUNIV OF IOWA STATE UNIV LEXINGTON KY 40506	C	890924	
143	001899	295 CLUB 50513850629SUNIV OF IOWA STATE UNIV LOUISVILLE KY 40292	C	891126	
143	002001	865 CUN 50511850827SUNIV OF IOWA STATE UNIV MORE COLLEGE FORT MITCHELL KY 41017	C	890924	
143	002002	794 CCEL 50511850827SUNIV OF IOWA STATE UNIV BOWLING GREEN KY	C	891130	
143	002004	324 UNK 50517850626SUNIV OF IOWA STATE UNIV NEW ORLEANS LA 70122	C	891015	
143	002006	311 CCEL 50519050626SUNIV OF IOWA STATE UNIV GRAYSLING LA 71245	C	890924	
143	002008	305 CLUB 50528850906SUNIV OF IOWA STATE UNIV TECH UNIV RUSICH LA 71272	C	890924	

41-57

TABLE NUMBER	TABLE CODE	DESCRIPTIVE TEXT	MAINT CODE	MAINT DATE	REPAIRS
143	002011	310 OLUMOSULE226529SULUISIANA STATE U AUC ANN CULL LA 70093	C	041026	
143	002014	320 DNZC05051785026SULUISIANA STATE UNIV SCHOOL OF NURSING NEW	C	041015	
143	002015	320 MLVW05051785026SULIV. LEYES ORLEANS NEW ORLEANS LA 70122	C	041015	
143	002016	320 ULUG0505160521SLOYULA UNIV IN NEW ORLEANS NEW ORLEANS LA	C	041015	
143	002023	320 DOME05052165026SCUR LACY OF HULL CROSS COLLEGE NEW ORLEANS	C	041015	
143	002026	320 DS0205051785026SSOLIMERA UNIV IN NEW ORLEANS NEW ORLEANS	C	041015	
143	002029	320 ULUG05051785026SULULANE UNIV NEW ORLEANS LA 70110	C	041015	
143	002031	315 USW05051205026SUNIV OF SOUTHWESTER LA LAFAYETTE LA 70504	C	040924	
143	002032	320 JYAC05051785026SXAVIER UNIV OF LOUISIANA NEW ORLEANS LA	C	041015	
143	002043	326 AHUM050511050902SHUSSCU COLLEGE HANGOR 04401	C	041213	
143	002053	326 AKAP050511050902SLMIV LEFAINE ORONO 04469	C	041213	
143	002054	330 AAJ050510850826SABEE ARUNDEL COMM COLL ARNOLD MD 21012	C	041210	
143	002062	330 AP05050517850195SSTATE COLLEGE BUNJE MD 20715	C	040924	
143	002077	330 AJUE050506050909SJOHNS HOPKINS UNIV BALTIMORE MD 21210	C	040924	
143	002078	330 AL00050524850909SLOYOLA COLLEGE BALTIMORE MD 21210	C	040924	
143	002069	330 AP05050517050909SPRINCE GEORGES COMM COL LARGO MD 20772	C	040925	
143	002099	330 AM05050524850909SSTATE UNIV BALTIMORE MD 21204	C	040924	
143	002103	330 AP05050524850909SUNIVERSITY OF MARYLAND COLLEGE PARK MD	C	040924	
143	002104	326 AA050511050909SWASHINGTON COLLEGE CHESTERIONN MD	C	041212	
143	002109	330 AAEV050524850909SPESTERE MARYLAND COLL WESTMINSTER 21157	C	040924	
143	002115	376 AA05050523050909SSAMBERST COLLEGE AMHERST MA 01002	C	041213	
143	002117	300 AM05050519050909SANN MARIA COLLEGE PAXTON MA 01012	C	041212	
143	002118	340 AAS0505180508260909SUNPTIGN COLLEGE WORCESTER MA 01609	C	041212	

71-57

TABLE NUMBER	DATE	DESCRIPTIVE TEXT	MAINT CODE	DATE	REMARKS
--------------	------	------------------	------------	------	---------

143	002123	340 ALJAS05165093586CENR JUNIOR COLLEGE WORCESTER MA 01600	C	041212	
143	002124	345 AXADAS05140509068ENILEY COLLEGE WALTHAM MA 02154	C	041026	
143	002133	355 ABUEAS05140509075E09ION UNIV BOSTON MA 02215	C	040824	
143	002139	340 ACLEAS05190506266CLANK UNIVERSITY WORCESTER MA 01610	C	041212	
143	002142	340 AAF0505240504266SCUL OF THE HOLY CROSS WORCESTER MA 01610	C	041212	
143	002140	345 AEG0505240509105E09ICULT COLL BEVERLY MAS 01915	C	041029	
143	002153	345 AG0505160504038000000 COLLEGE BEVERLY MA 01915	C	041026	
143	002155	360 APAC0505255509185HARYARD UNIV CAMBRIDGE MA 02138	C	041217	
143	002154	340 ABAS050518050903586CENR JUNIOR COLLEGE LEICESTER MA 01520	C	041212	
143	002161	345 AL05051605091605041Y OF LORRELL LOWELL MA 01854	C	041029	
143	002174	370 AR050523050905500000000 COMM COLL MLYOKE MASS 01090	C	041213	
143	002173	345 AL050520050903500000000 SHINE COMM COLL BEVERLY MASS 01915	C	031029	
143	002174	345 AM050520050903800000000 ESSEX COMM COLL MAVERHILL 01630	C	041029	
143	002175	340 AB050512050903500000000 COM COL WORCESTER 01600	C	041212	
143	002175	365 AA050522050910500000000 MASSACHUSETTS INSTITUTE OF TECH CAMBRIDGE	C	041217	
143	002184	345 ASY050525050906000000000 STATE COLL SALEM MASS 01970	C	041029	
143	002190	340 AR050525050909000000000 STATE COLLEGE WORCESTER MA 01602	C	041212	
143	002192	370 AR050523050905500000000 MLYOKE COLLEGE SOUTH HADLEY MA	C	041213	
143	002192	355 AC05051505092210000000000 UNIV BOSTON MA 02115	C	040924	
143	002209	370 AS050523050905500000000 COLLEGE NORTHAMPTON MA 01063	C	041213	
143	002212	365 AIL050516050903500000000 UNIVERSITY OF FORD 02155	C	041217	
143	002221	370 AD050523050905500000000 UNIVERSITY OF MASSACHUSETTS AMHERST MA 01003	C	041213	
143	002220	360 AR050517050903500000000 COLLEGE WELLESLEY MA 02181	C	041217	

51-54

TABLE NUMBER	TABLE CODE	DESCRIPTION	MAINT CODE	MAINT DATE	REMARKS
143	002265	370 A0055236509055KESIEHN NEW ENGLAND COLL SPRINGFIELD 01119	C	041213	
143	002233	340 A00551605092600CESTER POLYTECHNIC INSTITUTE MA 01609	C	041212	
143	002247	390 CCJEASV72650827SCUSCORDIA COLL AND ARBOR 00105	C	041002	
143	002259	390 CEHA850221050904SEASTERN MICHIGAN UNIV YPSILANTI MI 48197	C	041004	
143	002274	360 CLH84506625509190LANSING COMMUNITY COLLEGE LANSING MI 48901	C	040924	
143	002279	390 CLAP860730840908SLARKEUCE INSTITUTE OF TECHNOLOGY S FIELD	A	030915	
143	002290	360 CVIE4506080509190MICHIGAN STATE UNIV EAST LANSING MI 48829	C	040924	
143	002292	400 CMHE450518051117MICHIGAN TECH UNIV HOUGHTON MI 49931	C	040924	
143	002422	400 C900650427651219SSOUTH COLLEGE HANCOCK MI 49930	C	040924	
143	002326	390 CPC8050628050905SUNIV OF MICHIGAN AT DEARBORN DEARBORN MI	C	041010	
143	002329	390 CHA805027250903SHAYNE STATE UNIV DETROIT MI 48202	C	041004	
143	002332	410 DANE850615050923WAGANAGARSEY COMMUNITY COLLEGE COON RAPIDS	C	041101	
143	002334	410 JA00650526050904SAUGSBURG COLLEGE MINNEAPOLIS MN 55054	C	041201	
143	002342	410 CS88650526050904SCOLLEGE OF ST CATHERINE ST PAUL MN 55105	C	041201	
143	002343	420 DBEE650517050908COLLEGE OF ST SCHOLASTICA DULUTH MN 55811	C	040924	
143	002365	410 DBE4050525050904STHE COLLEGE OF ST THOMAS ST PAUL MN 55105	C	041201	
143	002366	010 DC1850505050629SCONCORDIA COLLEGE MOORHEAD MN 56560	C	041101	
143	002367	410 D010050526050904SAINT PAUL MN 55104	A	040906	
143	002358	410 DHAC450526050905SHAPLINE UNIV ST PAUL MN 55104	C	041201	
143	002358	410 DVAAB50525050909SKACALESTER COLLEGE ST PAUL MN 55105	C	041201	
143	002367	410 DJR8450526050911BROOKHEAD STATE UNIV MOORHEAD MN 56560	C	041101	
143	002370	410 D000050613650910BROOKLYN COMMUNITY COLLEGE BROOKLYN	C	041201	
143	002384	420 DMJ0450517050904UNIV OF MINNESOTA AT DULUTH DULUTH MN	C	040924	

45-16

TABLE NUMBER	DESCRIPTIVE TEXT	MATRY CODE	MATRY DATE	REMARKS
143	002542 474 00000517050806SCREIGHTON UNIV OMAHA NE 68178	C	041101	
143	002556 674 00000511050206SULLY OF NEBRASKA AT OMAHA 68182	C	041201	
143	002552 465 00000504050205NEBRASKA UNIV LINCOLN NE 68504	C	040924	
143	002565 465 00000504050626UNIV OF NEBRASKA LINCOLN NE 68588	C	040924	
143	002572 475 00000525050404SCULBY SNEYER COLLEGE NEW LONDON NH	A	041204	
143	002576 475 00000511050404NATAMARIEL PARTHURNE COLLEGE ANDRIM NH	C	041205	
143	002579A 345 00000512050903SNER ENGLAND COLL HENRIKER NH 03242	C	041029	
143	002579S 475 00000512050903SNER ENGLAND COLL HENRIKER NH 03242	C	041205	
143	002580A 345 00000510050407SNER HAMPSHIRE COLL MANCHESTER NH 03104	C	041030	
143	002580H 475 00000511050903SNER HAMPSHIRE COLL MANCHESTER NH 03104	C	041205	
143	002584 345 00000504050903SNER DAME COLL MANCHESTER 03104	C	041029	
143	002586 345 00000505050903RIVIER COLL NASHUA NH 03060	C	041105	
143	002587A 345 00000501050903SAINT ANSELM COLL MANCHESTER 03102	C	0411	
143	002587F 475 00000501050903SAINT ANSELM'S COLLEGE MANCHESTER NH 03102	C	041205	
143	002588 475 00000502050903SUMMIT OF NEW HAMPSHIRE DURHAM NH 03824	C	041205	
143	002590 475 00000511050903SKEENE STATE COLLEGE KEENE NH	A	041206	
143	002591 475 00000510050903SUMMIT OF NEW HAMPSHIRE ST COL PLYMOUTH NH 032	C	041205	
143	002607 494 00000519050903SPRINGFIELD COLLEGE TEANECK NJ 07666	C	041130	
143	002613 494 00000528050903JERSEY CITY STATE COLLEGE JERSEY CITY NJ	C	041130	
143	002615 485 00000509050903SPRINGFIELD COUNTY COLLEGE EDISON NJ 08817	C	041130	
143	002616 485 00000512050903SUNBURY COLLEGE WEST LONG BEACH NJ 07764	C	041130	
143	002617 490 00000523050903UNION STATE COLLEGE UPPER MONTCLAIR NJ	C	041130	
143	002621 490 00000523050903SACRED HEART COLLEGE OF TECHNOLOGY NEWARK	C	041130	

15-18

TABLE FILE LIST

TABLE NUMBER CODE DESCRIPTIVE TEXT MAINY CODE MAINY DATE REMARKS

143	002622	494	ADELAS051185943	SKEAN COLLEGE OF NEW JERSEY UNION NJ 07001	C	041130	
143	042625	490	ANER6505234593	PATERSON COLLEGE WAYNE 07470	C	041130	
143	002627	485	APR65052585016	SPRINGETON UNIV PRINCETON NJ 08590	C	041130	
143	002628	485	ARIG65060985067	SKIDER COLLEGE TRENTON NJ 08668	C	041130	
143	002631	490	AHE6505234593	BRUIERS UNIV NEWARK CAMPUS NJ 07102	C	041130	
143	002632	490	ASPD6505185096	SASSEIGN HALL UNIV SOUTH ORANGE NJ 07079	C	041130	
143	002634	490	ASPR65052385093	SSI PETER'S COLLEGE JERSEY CITY NJ 07304	C	041130	
143	002639	490	ASTI65052365093	SSIEYERS INSTITUTE OF TECHNOLOGY HOBOKEN NJ	C	041130	
143	002642	485	AETI65052645093	SIRENTON STATE COLLEGE TRENTON NJ 08625	C	041130	
143	002643	485	AUSA65052265093	SUNION COLLEGE CRAWFORD NJ 07016	C	041130	
143	002644	490	ALPC65053185096	SUPALA COLLEGE EAST ORANGE NJ	A	041210	
143	002657	505	ENEM65051185082	ALEX MEXICO STATE UNIV LAS CRUCES NM 80001	C	040924	
143	002662	510	EAMH65051745081	SUNIV OF ALBUQUERQUE ALBUQUERQUE NM 87140	C	040924	
143	002665	560	AACA65052765092	TACADEMY OF AERONAUTICS FLUSHING 11371	C	041129	
143	002666	560	AADC65052185093	ADELPHI UNIV GARDEN CITY 11530	C	041125	
143	002667	560	AAGE65053105095	SDOUBLING COLL WANDALE LONG ISLAND 11769	C	040325	
143	002699	536	ACLG65051065092	SCLANKSON OF TECH POITSDAM NY 13674	C	040920	
143	002703	560	AMIA65051745081	SUNIV OF MOUNT ST VINCENT NY 10701	C	041125	
143	002705	550	ASED6505265096	S COLLEGE OF ST ROSE ALBANY NY 12203	C	041101	
143	002707	560	ACUD65051085096	S COLUMBIA UNIV NY 10027	C	041101	
143	002711	520	ACPI65052805081	S CORNELL UNIV ITHACA NY 14853	C	041010	
143	002717	560	AERD65052405094	S ELIZABETH SETON COLLEGE YONKERS NY 10701	C	041101	
143	002739	520	ALIA65051065083	S ITHACA COLLEGE ITHACA NY 14050	C	041010	

61-57

AFROIC CADET PERSONNEL
TABLE FILE LIST

TABLE NUMBER	DESCRIPTIVE TEXT	MAIN CODE	MAIN DATE	REMARKS
143 002700	535 ALCO 505174509025LEUYNE COLLEGE STROUSE AY 13214	C	000920	
143 002754	560 ALCO 650506506506SCA PUST OF L I L CATN OF LONG IS L 11548	C	001125	
143 002755	501 ASSLA 505174509108SOUTHAMPTON COMM COL SOUTHAMPTON 11960	C	001125	
143 002758	560 APAP 350514650905SPANNATTEN COLLEGE RIVERDALE NY 10471	C	001105	
143 002763	550 AFHU 850515650903SMARIA COLLEGE ALBANY 12204	C	001111	
143 002772	560 AFK 250520250906SNESEY COLL DOBBS FERRY 10522	C	001220	
143 002775	560 ALPB 850511050905MULLOY COLLEGE ROCKVILLE CENTER 11570	C	001105	
143 002780	535 ALFE 650520050628SHER SCHUL FOR SOCIAL RESEARCH NY 10011	C	000920	
143 002781	560 ABAA 850420050809 PACE UNIVERSITY PACE PLAZA NY NY 10038	C	001105	
143 002796	560 APUA 850516050906SPOLYTECH INST OF NY BROOKLYN 11201	C	001101	
143 002803	550 AREE 650510250903SEENSBELAER POLYTECHNIC INSTITUTE TROY NY	C	001101	
143 002810	550 AZUA 850517450909SPUSSELL SAGE COLLEGE TROY NY 12180	C	001101	
143 002814	550 ASKA 650510650911SKUMDRE COLLEGE SARATOGA SPRINGS NY 12066	C	001101	
143 002816	550 ASAD 850509050904SIEUA COLLEGE LOUDONVILLE NY 12211	C	001132	
143 002820	560 ASME 650520050910SBATNT FRANCIS COLL BROOKLYN 11201	C	001112	
143 002829	536 ASAX 650520050902SST LAWRENCE UNIV CANTON NY 13617	C	000920	
143 002832	560 ASXC 650510450908SST THOMAS AQUINAS COLLEGE SPARKILL NY	C	001101	
143 002835	550 ANEC 650515850908STATE UNIV OF NEW YORK AT ALBANY NY 12222	C	001101	
143 002838	560 ANLG 85051005090278SUNY STONY BROOK STONY BROOK 11794	C	001125	
143 002843	524 ACPL 45051745090308SUNY AT CORTLAND CORTLAND NY 13045	C	001010	
143 002850	536 APJA 650517450929STATE UNIV OF NY COL AT PUTSDAV NY 13674	C	000920	
143 002851	535 ASGG 650506090907SUNY COL OF ENVIRU SC & FORESTRY 13210	C	020101	
143 002855	536 AATC 85051585090208STATE UNIV ART COL AT CANTON NY 13617	C	000920	

TABLE NUMBER	TABLE CODE	DESCRIPTIVE TEXT	MAINT CODE	MAINT DATE	REMARKS
--------------	------------	------------------	------------	------------	---------

143	002050	500 AAC6050521050908SSUNY ARI FARMINGDALE FARMINGDALE 11735	C	041105	
143	002067	550 AFED050517050903SEFULTON/MONTGOMERY CUMM COL NY 12095	C	041101	
143	002068	550 AFSD0505170509026SH090 VALLEY COMMUNITY COL TROY NY 12100	C	041101	
143	002073	500 AARS050522050903PASSAU CORN COL GARDEN CITY 11530	C	041105	
143	002075	535 AFSD0505170509021SCHENODAGA COMP COLL SYRACUSE 13215	C	040920	
143	002082	535 ASVARS0512050904SSSYRACUSE UNIV SYRACUSE NY 13210	C	040920	
143	002083	535 AUTC050514050902SUTICA COL OF SYRACUSE U UTICA NY 13502	C	040920	
143	002085	550 AHR050513050903SALBANY COLLEGE OF PHARMACY ALBANY NY 12200	C	041101	
143	002069	550 ALUC050612050901UNION COL SCHEMECTIA NY 12305	C	041130	
143	002099	085 AAAR050517050903SAGNER COLLEGE STATEN ISLAND NY 10301	C	041130	
143	002901	520 AREF050517050903SHELLS COLLEGE AURORA NY 13026	C	041010	
143	002905	605 AAC0505130509026SOUTH CAROLINA ARI STATE UNIV GREENSBORO	C	041130	
143	002908	590 ABR050515050906SABBER-SCOTIA COLL BELMONT 28025	C	040920	
143	002910	590 ABE0505080509021S BELMONT ABBEY COLL BELMONT NC 28012	C	040920	
143	002911	605 HBE0505030509021S BELMONT COLLEGE GREENSBORO NC 27420	C	041130	
143	002915	590 AHC000506100509010CCENT PIEDMONT CUMM COL CHARLOTTE 28200	C	040920	
143	002918	590 ABR050522050905TD DAVIDSON COLL DAVIDSON NC 28036	C	040920	
143	002920	585 B0UC0504270509026DUKE UNIV DURHAM NC 27706	C	040120	
143	002923	500 SEAR0505020509026SEAST LAROLINA UNIV GREENVILLE NC 27030	C	041130	
143	002928	607 AUCF0505110509026SEAYEILIFFVILLE STATE UNIV FAY NC 28301	C	041105	
143	002930	605 G0AR0505130509026S GREENSBORO COLLEGE GREENSBORO NC 27420	C	041130	
143	002931	605 S0AR0505010509026S GULFURD COLLEGE GREENSBORO NC 27410	C	041130	
143	002933	605 ARIAR05050509026S HIGH POINT COLLEGE HIGH POINT NC 27260	C	041130	

TABLE NUMBER	DESCRIPTIVE TEXT	MAINT CODE	MAINT DATE	REMARKS
143	662436 590A0J0605051605U9W4SJOHNSON C SMITH UNIV CHARLOTTE 28216	C	040920	
143	662445 595 66E665051005U821SMECITH COLLEGE RALEIGH NC 27611	C	041212	
143	662554 595 66L66505265U626SLUHIF CAROLINA GEN UNIV DURHAM NC 27707	C	040920	
143	002453 595 66E665050905U820SPEACE COLLEGE RALEIGH NC 27604	C	041212	
143	002954 607 66E665050805U822SPEABEONE STATE UNIV PEMBROKE NC 28372	C	041105	
143	002957 590A0CUBA5051665U822AS QUEENS COLLEGE CHARLOTTE 28274	C	040920	
143	002959 590A0S81A505065U821S8ACRED MEAPI COLL BELMONT N C 28012	C	040920	
143	002962 595 66H665051065U827S8MAN UNIV RALEIGH NC 27611	C	041212	
143	002868 595 66A1A5051085U8026SSI AUGUSTINE'S COLLEGE RALEIGH NC 27611	C	041212	
143	002969 595 66H165050565U827S8T MARY'S COLLEGE RALEIGH NC 27611	C	041212	
143	662972 595 66L665050745U822SMORH CAROLINA STATE UNIV AT RALEIGH 27607	C	041212	
143	662973 590A0GHEASU5245U940GASICH COLLEGE DALLAS NC 28034	C	040920	
143	002974 590 66H665050805U822SU OF NORTH CAROLINA CHAPEL HILL 27514	C	040920	
143	002975 590A0NLP05050705U822SUNIV OF NC AT CHARLOTTE 28223	C	040920	
143	002976 605 66L665051205022SUNIV OF NORTH CAROLINA GREENSBORO NC 27412	C	041130	
143	002985 590A0A0P05050805U827S8IAGATE COLLEGE FARGATE 28174	C	040920	
143	003012 660 CASC05051665U822S8ASHLAND COLLEGE ASHLAND OH 44805	C	041010	
143	00301A 626 C8D1A50510A5U822S8ORNLING GREEN STATE UNIV HOWLING GREEN OH	C	040920	
143	003023 645 CCAN050512A50822S8CAPITAL UNIVERSITY COLUMBUS 43209	C	041010	
143	003025 693 CCJL040603040926CEDARVILLE COLL CEDARVILLE 45314	C	011101	
143	003026 693 CCEP050813050922S8CENTRAL STATE UNIV WILBERFORCE 45324	C	041120	
143	003033 665 C7J465U512A50830SCOLLEGE OF MOUNT ST JOSEPH MT ST JOE 45051	C	040920	
143	003035 645 C5DE050512A5090808OHIO DOMINICAN COLL COLUMBUS 43219	C	041010	

15-22

TABLE NUMBER	TABLE CODE	DESCRIPTIVE TEXT	MAINT CODE	MAINT DATE	REMARKS
143	003041	620 C08A650510A50908IDEFIANCE COLLEGE DEFIANCE OH 43512	C	840928	
143	003045	620 C01A050510A50262SPINDLAY COLLEGE FINDLAY OH 45049	C	840928	
143	003068	605 C08A650421A50903TIFRANKLIN UNIVERSITY COLUMBUS 43215	C	840100	
143	003068	620 C0E2A50508050904SHEKOFLOBERG COLLEGE TIFFIN OH 44003	C	840928	
143	003051	630 C0E6A50504050827SKENI STATE UNIV KENT OH 44292	C	840928	
143	003079	640 C01A0A0513A0829SMIAMI UNIV HAMILTON BRANCH HAM OH 45011	C	811228	
143	003080	640 C01F0A0513A0829SMIAMI UNIV MIDDLETON BRANCH 45042	C	811228	
143	003003	630 C0E6050504050827SUNT. UNIV. COLLEGE ALLIANCE OH 44601	C	840100	
143	003063	620 C0E6050517A50904M0HIO WOMEN'S UNIV ADA OH 45810	C	840928	
143	003099	645 C01A050414A51028102A3Y. INSTITUTE OF TECHNOLOGY 3209	C	840105	
143	003100	650 C0D0A50615B5091020OHIO UNIV. ATMENS OH 45791	C	840928	
143	003109	645 C0E6A50512B50827G0HIO. WESLEYAN UNIV DELAWARE OH 43015	C	840105	
143	003110	645 C01B2A50616A5091600TERRERA COLLEGE WESTERVILLE OH 43081	C	840105	
143	003111	665 C0E655050451905SEDECLIFF COLLEGE CINCINNATI OH 45206	C	840928	
143	003113	643 C052A5060805091505INCLAIR COMM COLL DAYTON 45402	C	841101	
143	003123	660 C0A4A50518A50903SIME UNIV OF AKRON AKRON OH 44325	C	840928	
143	003125	665 C01C05060908090200UNIV OF CINCINNATI CINCINNATI OH 45221	C	840928	
143	003127	643 C0A1A50626A50822SUNIV OF DAYTON DAYTON 45469	C	841101	
143	003131	620 C10E050614A50923UNIV OF TULEDO IDEHO OH 43606	C	840928	
143	003133	643 C0E2A507260509240URSA COLLEGE WESLEYAN 43078	C	841228	
143	003141	643 C01A050626A5080505MILBERFORCE UNIVERSITY MILBERFORCE 45384	C	841101	
143	003142	643 C01C05060908091700JULINGTON COLL SPRINGFIELD 45117	C	841101	
143	003143	643 C0A1A5060605091200WITTENBERG UNIVERSITY SPRINGFIELD 45501	C	841228	

45-23

TABLE FILE LIST

TABLE NUMBER	DESCRIPTIVE TEXT	WAIINT CODE	WAIINT DATE	REMARKS
143	003184 685 EYAFESLSU059855XAVIER UNIV CINCINNATI OH 05207	C	040924	
143	003185 675 MCVPSU05025083ICKLANDONA CHRISTIAN COLLEGE OK CITY 73111	C	041004	
143	003186 675 MCVPSU05025083ICKLANDONA CITY UNIV OKLANDONA CITY OK 73106	C	041004	
143	003174 676 MCVPSU05025083ICKLANDONA STATE UNIV STILLWATER OK 74078	C	040928	
143	003183 675 MCVPSU05025083ICKLANDONA STATE UNIV STILLWATER OK 74078	C	041004	
143	003184 675 MCVPSU05025083ICKLANDONA STATE UNIV STILLWATER OK 74078	C	041004	
143	003191 695 ECPMSU05156519249CONCORDIA COLLEGE PORTLAND OR 97211	C	041010	
143	003204 695 ECPMSU05156519249COMMUNITY COLLEGE GRESHAM OR 97039	C	041000	
143	003209 685 ECPMSU05156519249OREGON STATE COLLEGE MCATUM OR	C	040920	
143	003210 685 ECPMSU05156519249OREGON STATE UNIV CORVALLIS OR 97331	C	040120	
143	003211 695 EPIJASU05156519249PORTLAND COMMUNITY COLLEGE OR 97219	C	041000	
143	003216 695 EPOEELU05156519249PORTLAND STATE UNIV PORTLAND OR 97207	C	040912	
143	003224 685 ECRMSU05156519249UNIVERSITY OF OREGON EUGENE OR 97403	C	040924	
143	003224 695 EPOEELU05156519249UNIV OF PORTLAND OR 97203	C	041012	
143	003225 695 EKGJMSU0509509249WARNER PACIFIC COLLEGE PORTLAND OR 97215	C	041010	
143	003227 695 EPIEASU05026265U9858WILLIAMETTE UNIV SALEM OR 97301	C	041012	
143	003237 750 ARMSU0503265U9838RYAN AMB COLLEGE BRVN MAR PA 19010	C	041105	
143	003242 730 AACASU05156519249SARASOTA COLLEGE MELLON UNIV PITTSBURGH PA 15213	C	040920	
143	003243 715 ACEASU0510859626CEDAR CREST COLLEGE ALLENTOWN PA 18108	C	041211	
143	003244 730 ACHCASU05156519249SARASOTA COLLEGE PITTSBURGH PA 15232	C	041213	
143	003247 752 ACUESU0510859626COLLEGE MISERICORDIA DALLAS TX 18812	C	041100	
143	003250 750 ADMCASU050599238WREXEL UNIVERSITY PHILADELPHIA PA 19104	C	041105	
143	003256 730 ADUGMSU051765U9259DUQUESNE UNIV PITTSBURGH PA 15219	C	041213	

TABLE FILE LIST

TABLE NUMBER	TABLE CODE	DESCRIPTIVE TEXT	MAINT CODE	MAINT DATE	REMARKS
143	003259	750 AEA68505UB859955EASTERN COLL ST DAVIDS PA 19087	C	041201	
143	003269	745 ARK825017059933GROVE CITY COLLEGE GROVE CITY PA 16127	C	040228	
143	003278	750 ARH85054686599906JACKSON JEFFERSON UNIV PHILADELPHIA 19107	C	041105	
143	003284	752 ARG850531659935KEYSVILLE JR COLLEGE LA PLUME PA 19840	C	041100	
143	003282	752 ARK850519050685KING'S COLLEGE WILKES-BARRE PA 18711	C	041100	
143	003284	752 ALH850516051905LACAWANNA JUNIOR COLLEGE SCRANTON PA	C	041100	
143	003284	715 ALA850525050626LAFAYETTE COLLEGE EASTON PA 18042	C	041211	
143	003267	750 ALA850504050605LASALLE COLLEGE PHILADELPHIA PA 19101	C	041105	
143	003289	715 ALB850522050626LEHIGH UNIV BETHLEHEM PA 18015	C	041211	
143	003296	752 AMB785051705060508ARYMOUL COLLEGE SCRANTON PA 18509	C	041100	
143	003301	715 AMU85052555050510URAVIAN COLLEGE BETHLEHEM PA 18018	C	041211	
143	003303	730 ANU850510850505CARLTON COLLEGE PITTSBURGH PA 15213	C	041213	
143	003304	715 AMU85051135050508ALDEN COLLEGE ALLENTOWN PA 18104	C	041211	
143	003313	750 APE8505051959050505ALDEN UNIV CHESTER PA 19013	C	041105	
143	003315	752 APE85051125050508ALCORN UNIV BLOOMSBURG PA 17015	C	041100	
143	003317	750 APE85051135050508ALDEN UNIV CHESTER PA 19013	C	041105	
143	003320	715 APEG85051705090505EAST STATE COL EAST STRUOSBURG	C	041211	
143	003322	715 AEP8505155050508ALDEN UNIV STATE COLLEGE ALLENTOWN PA 18130	C	041211	
143	003327	745 APE85051105050508ALDEN UNIV PENNSYLVANIA SLIPPERY ROCK PA	C	040924	
143	003328	750 APE85051705090505WEST CHESTER STATE COL W CPES PA 19380	C	041105	
143	003330	715 AMU85051125050508ALDEN UNIV ST ALLENTOWN FUGELSVILLE PA 18051	C	041211	
143	003334	715 ALH85051605190506ALDEN UNIV STATE UNIV BERKS PLADING PA 19060	C	041211	
143	003339	752 ACR85051155060508ALDEN UNIV ST UNIV HAZELTON CAMPUS HAZELTON PA	C	041100	

PREPARED ON DEC 20

AFROTC CADET PERSONNEL
TABLE FILE LIST

AS OF 30 DEC 20 PEN UM000-150

TABLE CODE	DESCRIPTIVE	PAINY CODE	DATE	REMARKS
143 003304	752 ACPAS05U510250521PENA ST UNIV WASHINGTON SCRANTON CAM PA	C	041100	
143 003305	752 ADK05U510250523TPEAN ST UNIV WILKES-BARRE CAMPUS PA 18708	C	041201	
143 003357	730 AFEJ05U52024050482PAAJL PARK COLLEGE PITTSBURGH PA 15222	C	041213	
143 003359	730 AAAC05U50605051808ERI MORRIS COLLEGE CORAPOLIS PA 15108	C	041213	
143 003367	750 ASS05U51025050933SI JOSEPH UNIVERSITY PHILADELPHIA PA 19131	C	041105	
143 003368	730 ASF105U511AS0285SI VIRGENT COLLEGE LAIRBUE PA 15650	C	041213	
143 003371	750 ATEC05U523050938TEPLE UNIVERSITY PHILADELPHIA PA 19122	C	041105	
143 003376	750 APEZ05U5202050933UOLIV WF PENNSYLVANIA PHILADELPHIA 19109	C	041105	
143 003379	730 AFID05U50244050941LIV WF PITTSBURGH PITTSBURGH PA 15260	C	041213	
143 003384	752 ASCE05U5236519033THE UNIV OF SCRANTON SCRANTON PA 18510	C	041100	
143 003386	750 AVIC05U5190504053VILLANVA UNIVERSITY VILLANVA PA 19085	C	041105	
143 003394	752 AAID05U5110504265ILNES COLLEGE WILKES-BARRE PA 18703	C	041100	
143 003412	772 WACE05U51105U504193SAANDERSON COLLEGE ANDERSON SC 29621	C	041130	
143 003414	772 J81U105U52224505049SPACIATI COLLEGE AI CHARLESTON SC 29411	C	041105	
143 003420	775 BHEP05U50905U51992623CECI COLLEGE COLUMBIA SC 29209	C	040921	
143 003422	770 JCHL05U5V5B502623CEP TAL WESLEYAN COLLEGE CENTRAL SC 29630	C	041130	
143 003424	745 HCID05U521105U50283TF CIIADEL CHARLESTON SC 29409	C	040931	
143 003425	770 HCL105U50945045022SCLEMSUN UNIV CLEMSON SC 29631	C	041130	
143 003428	772 HCHP05U50805V9022SCOLLEGE OF CHARLESTON CHARLESTON SC 29424	C	041105	
143 003434	772 PHYO05U50305U506269MEDICAL UNIV OF SC CHARLESTON SC 29425	C	041105	
143 003406	772 ASUA05U51065081905SOUTH CAROLINA STATE ORANGEBURG SC 29117	C	041105	
143 003408	775 ASUB05U5155U50666SUMIV OF SOUTH CAROLINA COLUMBIA SC 29204	C	040921	
143 003456	580A0P1UASU504504502750131 THROP COLL ROCK HILL SC 29732	C	040928	

45-26

TABLE FILE LIST

TABLE NUMBER TABLE CODE DESCRIPTIVE TEXT MAINT CODE MAINT DATE REMARKS

143	003471	780	DSUDA505106508288SOUTH DAKOTA STATE UNIV BROOKINGS SD 57007	C	800931	
143	003472	792	CANL4505268509038AGUINAS JR COLLEGE NASHVILLE TN 37205	C	801127	
143	003473	794	CREE4505118508238BELMONT COLLEGE NASHVILLE TN 37203	C	801127	
143	003482	785	CCMS8405098406275CHRISTIAN BROTHERS COLLEGE MEMPHIS TN	C	800112	
143	003485	790	CCAF4506015509140DAVID LIPSCOMB COLLEGE NASHVILLE TN 37203	C	801127	
143	003494	790	CFIC0505138508308FISK UNIV NASHVILLE TN 37203	C	801127	
143	003497	800	CKJ86506078509230KNOXVILLE COLLEGE KNOXVILLE TN 37921	C	801010	
143	003501	785	CLEE8504190509038LEWIS-CLAYTON COLLEGE MEMPHIS TN 38126	C	801114	
143	003508	790	CVEFA505268508198MERRY MEDICAL COLLEGE NASHVILLE TN 37204	C	801127	
143	003509	785	CHEM4505068509038MEMPHIS STATE UNIV MEMPHIS TN 38152	C	801114	
143	003510	790	CKR66505110509038MIDDLE TENN ST UNIV MURFREESBORO TN 37130	C	801127	
143	003519	785	CSML8505294509061RHODES COLLEGE MEMPHIS TN 38112	C	801114	
143	003522	790	CIE605050850850626STENNESSEE STATE UNIV NASHVILLE TN 37203	C	801127	
143	003528	790	CIN8050608509059MIREVECCA NAZARENE COLLEGE NASHVILLE TN	C	801127	
143	003534	800	CJEF6506018509230UNIV OF TENNESSEE KNOXVILLE TN 37996	C	800931	
143	003535	790	CVAC6505106508508298VAPODFULT UNIV NASHVILLE TN 37240	C	801127	
143	003581	807	DAMN8505106509038ANGELICA ST UNIV SAN ANGELO TX 76909	C	801001	
143	003582	825	DCP88505118508288CONCORDIA LUTHERAN COLL AUSTIN TX 78705	C	801001	
143	003585	830	DEAF8505128508275EAST TEXAS ST UNIV COMMERCE TX 75428	C	801213	
143	003588	820	DLUG850108505028LUBBOCK CHRISTIAN COLLEGE LUBBOCK TX 79407	C	801213	
143	003589	810	DMIF8505128509208L OF MARY PARISH-BAYLOR BELTON TX 76513	C	800931	
143	003590	810	MAC10505170508268MCLELLAN COMMUNITY COLLEGE WACO TX 76706	C	800931	
143	003594	835	DMUP8505106509038UNIV OF TEXAS ST UNIV DENTON TX 76209	C	801001	

12-57

TABLE NUMBER	DESCRIPTIVE TEXT	PAINT CODE	PAINT DATE	REMARKS
143	003602	618	041001	PAUL COLLEGE MADO IA 76704
143	003613	632	041001	UNIVERSITY OF THE SOUTH PACIFIC DALLAS TX 75275
143	003615	622	041001	UNIVERSITY OF THE SOUTH PACIFIC DALLAS TX 75275
143	003621	622	041001	UNIVERSITY OF THE SOUTH PACIFIC DALLAS TX 75275
143	003630	645	041130	CHRISTIAN UNIVERSITY FORT WORTH TX 76124
143	003641	644	041001	LUTHERAN COLLEGE SEGUIN TX 78155
143	003644	624	041213	TEXAS TECH UNIVERSITY LUBBOCK TX 79409
143	003645	605	041130	RESLEYAN COLLEGE FORT WORTH TX 76105
143	003646	635	031205	KOMAN'S UNIVERSITY DENVER IA 76204
143	003651	635	041001	SUNNY DE OLLAS IRVING TX 75061
143	003650	645	041130	UNIVERSITY OF TX AT ARLINGTON TX 76019
143	003650	625	041001	THE UNIVERSITY OF TEXAS AT AUSTIN AUSTIN TX 78711
143	003661	605	040920	UNIVERSITY OF TEXAS AT EL PASO TX 79962
143	003670	655	041105	SHRIMAN YOUNG UNIVERSITY PRUVU VT 04602
143	003675	650	041105	UNIVERSITY OF UTAH SALT LAKE CITY UT 84112
143	003677	660	041001	STATE UNIVERSITY LOGAN UT 84322
143	003680	650	041105	GREER STATE COLLEGE UT 84408
143	003681	650	041005	MINISTER COLLEGE SALT LAKE CITY UT 84105
143	003684	665	041002	SCHAMPLAIN COLLEGE BURLINGTON VT 05401
143	003689	665	041002	STATE COLLEGE LYNDONVILLE VT 05851
143	003692	667	041201	NORFOLK UNIVERSITY NORFOLK VT 05663
143	003694	665	041002	MICHAEL'S COLLEGE WINDSOR VT 05404
143	003695	665	041002	UNIVERSITY COLLEGE BURLINGTON VT 05404

15-28

TABLE NUMBER	DESCRIPTIVE TEXT	MAINT CODE	MAINT DATE	REMARKS
143	003690	065	AVIAR5U51165U949SLMIV UF VI A STATE AGRI COL BUR VT 05401	C 001002
143	003747	33V	AGAL05U517456927SGECKGE HANSON UNIV FAIRFAX VA 22030	C 000924
143	003753	63W	AVIAR5U512ASU0275VA MILITARY JUSTI LEXINGTON VA 24050	C 001002
143	003754	07S	AMIE85U60785U9240VA POLYTECHNIC INSTI BLACKSBURG VA 24061	C 001002
143	003762	310	EMIC45G61345U923BELLEVUE COL COL BELLEVUE WA 98007	C 041203
143	003771	035	EDER45U61505U926CENTRAL WASH UNIV ELLENSBURG WA 98926	C 041002
143	003773	095	EDER45U61405U924MCLANK COL YANCOUVER WASHINGTON 98663	C 001010
143	003776	910	ECCUB5U61405U923EVERETT COL COL EVERETT WA 98201	C 041124
143	003784	910	EGH45G61405U923GREGG RIVER COL COL AUBURN WA 98002	C 041203
143	003784	910	EGH45G61405U923WISHLIN COL COL MIDWAY WA 98031	C 041203
143	003785	500	EPAE85U20685U910SPACIFIC LUTHERN UNIV TACOMA WA 98447	C 041101
143	003788	91J	ESEB45U531165U930 SEATTLE PACIFIC UNIV SEATTLE WA 98119	A 001130
143	003790	910	ESEC85G60285G9100SEATTLE UNIV SEATTLE WA 98122	C 001203
143	003791	910	ESX45G61405U923SHREFFLE GUM COL SEATTLE WA 98133	C 041203
143	003794	92W	ESDA85U11545U926SSI MANI'S COL OLYMPIA WA 98503	C 041101
143	003796	500	ELI105G40105U923TACOMA COL COL TACOMA WA 98465	C 041101
143	003797	92W	EPUR85U1105U903SUNIV OF PUGET SOUND TACOMA WA 98416	C 041101
143	003798	91J	ERAD85G61405G9300UNIV OF WASH SEATTLE WA 98195	C 041203
143	003800	405	EKAS45U10450627SNASH STATE UNIV PULLMAN WA 99164	C 001002
143	003812	915	CFAC45G61045U926FAIRMONT STATE COL FAIRMONT WY 26554	C 041002
143	003822	33V	AS.GASU50605U81939SHEPHERD COLL SHEPHERDSTON WA 25643	C 000924
143	003827	415	CE.EB.85U03050626SHEST VA UNIV MORGANTOWN WV 26506	C 001002
143	003828	425	CFJG85G61045U926SUNIV OF WISCONSIN MADISON WI 53706	C 001002

TABLE NUMBER DESCRIPTION MAINT CODE DATE REMARKS

143	003920	420 04JES05310509213UNIV OF DISCONSIN AT SUPERIOR MI 50800	C	000924	
143	003932	400 04JAS05190509330UNIV OF KYUNGJANG LAMAMIE NY 62671	C	041002	
143	003937	755 04UGO0502205051913SACKEV HEARI UNIV SAJURCE PR 00910	C	041211	
143	003934	750 04JUN051505061553INTER AM UNIV OF PUERTO RICO SAN GEM 00753	C	041211	
143	003940	755 04MFO05150506227INTER AMERICAN UNIV MAYO HEY PR 00919	C	041211	
143	003903	755 04JUN0505110508125UL OF PUERTO RICO NUEBOAY UNIV CUL MUMACAC	C	041209	
143	003904	750 04JAY0505160508125UNIV OF PUERTO RICO MAYAGUEZ PR 00708	C	041211	
143	003947	080 04JUN0505170508265L OF CAL NASTINGS CULL DE LAP SA E 94102	C	041921	
143	003954	150 04FCO050305081905UNIV OF CENTRAL FLORIDA ORLANDO FL 32616	C	041015	
143	003954	157 04MVS05062605081005UNIV OF CENTRAL FLORIDA DAYTONA CENTER FL	C	040920	
143	003960	195 04MVS051505093005UNIV OF ILLINOIS HEU CENTER AT CHICAGO IL	C	041207	
143	003969	015 04JES0505150511248UNIV OF MINNESOTA MINNEAPOLIS MN 55455	C	041213	
143	003970	207 04PAB05080305090910PARAS COLLEGE OF ST LOUIS UNIV CANCRIA IL	C	041113	
143	003920	715 04MJS051105090405ALLENTON COL OF ST FRANCIS DESALES CH VAL	C	041209	
143	003987	730 04MVS050405080805LA ROCHE COLLEGE PITTSBURGH PA 15237	C	041215	
143	003991	770 04SAS051905040303GREENVILLE TECH COL GREENVILLE SC 29606	C	041130	
143	004027	855 04LID050530051001UNIV TECH CUL PROVO UT 04601	C	041005	
143	004051	730 04OFA050510050820SALLEMENEY COM COL OF ALLEGHENY PIII PA	C	041213	
143	004052	730 04MBS0519050820SALLEMENEY COM COL OF WOYCE COUNTY MURGEV	C	041213	
143	004062	070 04EAS052405090605PITT COMMUNITY COLLEGE GREENVILLE NC 27634	C	041130	
143	004060	045 04GMS060205092505OENGA COLLEGE SUPERINTO 95016	C	041210	
143	004081	045 04EAS05061005092305CULONE COLL FREMONT 94530	C	041130	
143	004081A	045 04MBS060605092505CULONA COLLEGE FREEMONT 94530	C	041210	

45-30

AFROIC CADEY PERSONNEL
TABLE FILE LIST

TABLE NO.	TABLE CODE	DESCRIPTION	MAINT CODE	MAINT DATE	REMARKS
143	006811	752 AGENSLE 165093SLUZERHE COUNTY COV N COL BARTOCCKE PA 1A634	C	041100	
143	006813	645 CEMESWELL16509250THE OHIO STATE UNIV COLUMBUS OH 93210	C	000105	
143	006895	471 WEXSSE1650926SUMIV OF PENNSYVA MED CENTER CHAMA 68195	C	041130	
143	006936	605 ECKFAS6614650929LIMBENTON COMMUNITY COL ALBANY OR 97321	C	040924	
143	006944	685 AFJES5514650933SHUIGENS THE STATE UNIV NEW BRUNSWICK NJ	C	041130	
143	006945	724 APEYAS516650923THE PENN STATE UNIV UNIV PK PA 16802	C	040924	
143	006947	614 WEALES50517650826BAYLER UNIV WACO TX 76793	C	040931	
143	006948	590 AYLIES5119450929SUMIV OF VA CHARLOTTEVILLE VA 22903	C	041003	
143	007015	136 AYKAS5116450926SUMIV OF THE DISJ OF COLUMBIA MT VERMONT SD	C	041120	
143	007032	280 OKAC6516450827SMIO-AMERICA NAZARENE COLLEGE OLATHE KS	C	041211	
143	007074	055AEC661650910SLOS ANGELES SOUTHWEST COLLEGE LOS ANGELES	C	041210	
143	007076	060 ECHAS5119450910SLOS ANGELES SN COLLEGE LOS ANGELES CA	C	041203	
143	007104	640 CHIPAS5110450929MIAMI UNIV OXFORD OH 45056	C	020101	
143	007107	499 AASF50519450933ESSEX COUNTY COMMUNITY COLLEGE NEWARK NJ	C	041130	
143	007108	755 APUBAS511050812SUMIV OF PUERTO RICO RIO PIEDRAS RIO PIEDRA	C	041211	
143	007169	560 AVLES511650904SSURY OLD WESTBURY COL WESTBURY 11560	C	041105	
143	007154	055AEC6650607650904SMOORPARK COLLEGE MOORPARK CA 93021	C	041214	
143	007158	608 ECHAS5117650933MOORPARK COLLEGE MOORPARK CA 93021	C	041203	
143	007114	194 CPACAS0327308268PARALAND COLLEGE CHAMPAIGN IL 61820	C	040101	
143	007180	736 AECAS5119450926SALLE616NY COL SULTH CAM W PIFFLIN	C	041213	
143	007191	715 APJAS5110450927SHRIMPENTON COUNTY AREA CUP COL BETH 18017	C	041211	
143	007204	755 APUBAS511050812SU OF PUERTO RICO RIO PIEDRAS RIO PIEDRA	C	041211	
143	007243	225 CJPAS5115050827MULY CROSS JUNIOR COLLEGE WUTNE DAVE IN	C	041224	

45-32

TABLE NUMBER	TABLE CODE	DESCRIPTIVE TEXT	MAINT CODE	MAINT DATE	REMARKS
143	007266	024 EAZEAS031785026SPIA COMMUNITY COLLEGE TUCSON AZ 85709	C	001010	
143	007279	175 LPFCE0031949949SHAMAIL PACIFIC COLLEGE HONOLULU HI 96913	C	021101	
143	007472	075 ESC05022950019SSAN DIEGO COMMUNITY COL-EVEWING COL SAN	C	001206	
143	007536	008 ECGK0101465994SCONSUMES RIVER COLL SACRAMENTO 95823	C	041212	
143	007582	104 ECE005667050910WAI'S COMMUNITY COLLEGE GREELEY CO 80632	C	040921	
143	007731	065 ANSINS051185026SSUPERSET COUNTY COLLEGE SOMERVILLE NJ	C	041130	
143	007870	150 BELA05042745026SHILLSBOUGH COMM COLL TAMPA FL 33622	C	041010	
143	007928	120 AALRAS050265903 AILMINGTON COLL NEW CASTLE DE 19720	C	041207	
143	007954	010 UNJFAS0607450910MURRAYDALE COMMUNITY COLLEGE BLOOMINGTON	C	041201	
143	008001	194 CILG05051925029SLNIV OF ILLINOIS URBANA IL 61801	C	041010	
143	002004	030 DAKK05051805093SUNIV OF ARKANSAS FAYETTEVILLE AR 72701	C	041127	
143	008074	008 ECG05062145029WBOITIE JUNIOR COL UROVILLE CA 95968	C	041212	
143	008076	205 CIALA50116050226JUN A LOGAN COLLEGE CATERVILLE IL 62918	C	041217	
143	008237	058 ESCA350423851221SUNIFERN ILLINOIS UNIV SUNNYHEAD CA 92308	C	041213	
143	008304	025 EAZG05051605026SSCOTTSDALE COMMUNITY COLLEGE SCOTTSDALE AZ	C	041111	
143	008306	085 ECGA50620650930COLLEGE OF ALAMEDA ALAMEDA CA 94501	C	041130	
143	008310	019 BAUL05060605029WAUBURN UNIV AT MONTGOMERY AL 36117	C	041130	
143	008322	025 EDJAS0621451029JRENAV INSTITUTE OF TECH PHOENIX AZ 85016	A	041130	
143	008300	005 A0SB05042703094SERRUCUKALE COMMUNITY COLLEGE LINGROFI NJ	C	041130	
143	008500A	055AEC05061605094SHERST LON ANGELES COLLEGE CULVER CITY CA	C	041214	
143	008500M	063 ECEP05061405093SHERST LES ANGELES COLLEGE CULVER CITY CA	C	041203	
143	008739	070 OIUN05052360905SIUOKA WESTERN CO. COL COUNCIL BLUFFS IA 51501	C	041101	
143	008795	003 CONFA506206509402ALTIUGH COLL YELLUM SPRINGS 45387	C	041101	

45-33

TABLE NUMBER	TABLE CODE	DESCRIPTIVE TEXT	MAINT CODE	MAINT DATE	REMARKS
143	009767	195 CCJ10505116508265CLIVE-HARVEY COL CHICAGO IL 60628	C	041207	
143	009814	195 CRUC085066508272RUSH UNIV CHICAGO IL 60612	C	041207	
143	009816	195 E-670505116508265WEST WING COLLEGE FRESNO CA 93710	C	041226	
143	009812	794 CI-M085065059124VOLUMEER STATE COMM COLL GALATIA 37066	C	041127	
143	009824	494 WYK06519059096PIEDMONT VA COM COL CHARLOTTESVILLE 22901	C	041042	
143	009836	445 A-120505116508265SEX COMMUNITY COLLEGE BEDEORD MA	C	041105	
143	010017	755 PFUE0506506508265WYAMANT CENTRAL UNIV DAYTON OH 06619	C	041211	
143	010020	200 CI-M0505110508265LEWIS CLARK COMM COLL GOUFREY 62035	C	041206	
143	010115	040 CI-M0505110508265UNIV OF TEXAS AT SAN ANTONIO 78285	C	041091	
143	010290	550 WYK06515050903SSUNY EMPIRE STATE COLLEGE SAFATOGA SPGS NY	C	041111	
143	010306	340 ACHY050518050916SCENTRAL NEW ENG COLL WORCESTER MA 01610	C	041212	
143	010313	514 FNEZ050510050819SUNIV OF MEX MEXICO ALBUQUERQUE NM 87131	C	040124	
143	010344	045 ELY060606060906SLUS MCDONALD COLLEGE PITTSBURG CA 94565	C	029101	
143	010403	265 COL0505126508265CINCINNATI TECH COLLEGE CINCINNATI OH	C	040920	
143	010366	205 MTEG0505100508265TEXAS A&M UNIV COLLEGE STATION TX 77841	C	040931	
143	010500	175 SHIM0505130508265KADOKAWA COMMUNITY COLLEGE KANEBOE HI	C	041206	
143	010355	075 ES60050522450909SUNIV OF SAN DIEGO SAN DIEGO CA 92110	C	041206	
143	010619	745 CI-M0505116508265SHELBY STATE COMM COL MEMPHIS TN 38104	C	041140	
143	010474	055AEL06050517050910SPARYMONT PALOS VERDES COL RANCHO PALOS CA	C	041214	
143	010552	130 MEL2505026508265PASCOWEMINGO COMM COL DADE CITY 33525	C	041010	
143	010322	750 PUL060523060813SUNIV OF PUERTO RICO AGUADILLA REGIONAL COL	C	030325	
143	010724	755 PUA0505110508265UNIV OF PUERTO RICO CANOLIMARCS COL CAROLINA	C	041211	
143	010726	750 PUL050523060813SUNIV OF PR AGUADILLA REGIONAL COL C0603	C	041211	

45-35

AFBIC LADEY PERSONNEL
TABLE FILE LIST

DDI	NAME	FOS/TYP CLASS	FROM/CMO COURSE	VALIDITY	COMPATIBILITY
143	755 601650511850123PAYAPUN REGIONAL COLLEGE RIO PIEDRAS PR	C		601211	
143	475 601650511850123PAYAPUN REGIONAL COLLEGE RIO PIEDRAS PR	A		601105	
143	405 601650511850123PAYAPUN REGIONAL COLLEGE RIO PIEDRAS PR	C		601206	
143	655 601650511850123PAYAPUN REGIONAL COLLEGE RIO PIEDRAS PR	C		601214	
143	625 601650511850123PAYAPUN REGIONAL COLLEGE RIO PIEDRAS PR	C		601101	
143	643 601650511850123PAYAPUN REGIONAL COLLEGE RIO PIEDRAS PR	C		601229	
143	645 601650511850123PAYAPUN REGIONAL COLLEGE RIO PIEDRAS PR	C		601214	
143	655 601650511850123PAYAPUN REGIONAL COLLEGE RIO PIEDRAS PR	C		601213	
143	675 601650511850123PAYAPUN REGIONAL COLLEGE RIO PIEDRAS PR	C		601206	
143	603 601650511850123PAYAPUN REGIONAL COLLEGE RIO PIEDRAS PR	C		600011	
143	560 601650511850123PAYAPUN REGIONAL COLLEGE RIO PIEDRAS PR	C		601105	
143	115 601650511850123PAYAPUN REGIONAL COLLEGE RIO PIEDRAS PR	C		601126	
143	560 601650511850123PAYAPUN REGIONAL COLLEGE RIO PIEDRAS PR	C		601105	
143	730 601650511850123PAYAPUN REGIONAL COLLEGE RIO PIEDRAS PR	C		601213	
143	175 601650511850123PAYAPUN REGIONAL COLLEGE RIO PIEDRAS PR	C		601206	
143	645 601650511850123PAYAPUN REGIONAL COLLEGE RIO PIEDRAS PR	C		601214	
143	295 601650511850123PAYAPUN REGIONAL COLLEGE RIO PIEDRAS PR	A		631102	
143	625 601650511850123PAYAPUN REGIONAL COLLEGE RIO PIEDRAS PR	C		601130	
143	675 601650511850123PAYAPUN REGIONAL COLLEGE RIO PIEDRAS PR	C		601206	
143	626 601650511850123PAYAPUN REGIONAL COLLEGE RIO PIEDRAS PR	C		601023	
143	306 601650511850123PAYAPUN REGIONAL COLLEGE RIO PIEDRAS PR	C		601125	

1. Indexed with Det/Area/Academic Institution Code (DIN 140/143), 1st day fall classes, last day spring classes.

Valid code only, cannot be blank. Indexed with Det, Area, Academic-Institution-Code, first day fall classes, last day spring classes; all in Table 143.

45-36

**AFROTC WINNERS AND ALTERNATES
WITH NO MEDICAL STATUS INQUIRY**

SSAN	NAME	DODMERB NOTIFIED	MEDICAL STATUS	STATUS DATE	DISQUAL CAUSES
(DIN 2/9)	(3/27)	(124/4)	(116/2)	(117/6)	(119-123/3)

**NOTE: SSAN, NAME, AND DATE DODMERB NOTIFIED MAKES UP THE INITIAL INQUIRY THAT IS
MODEMED TO DODMERB.**

- DODMERB FILLS IN MEDICAL STATUS, DATE AND DISQUALIFICATION CAUSES AND MODEMS
IT BACK TO FYSP. THAT INFORMATION IS TRANSFERRED TO THE APPLICANT'S RECORD IN
THE IDENTIFIED DINS.**

JOURNAL FORMAT

- INDICATE DISPLAY: BY CHANGE/BY OPERATOR

- BY CHANGE:

SSAN	NAME	CHANGE	DATE	MADE BY
- DIN 1				
987654321	Jones John J	D to S	6May86	Smith
876543219	Kahn Tom L	U to Q	6May86	Johnson
- Din 120				
765432198	Black Jane W	add 123	4May86	Magnus
654321987	White John B	delete 321	5May86	Magnus

- BY OPERATOR:

Magnus:				
765432198	Black Jane W	add 123 to DIN 120	4May86	
654321987	White John B	delete 321 from DIN 123	5May86	
123456789	Green Joan J	202 to DIN 148	8May86	
Johnson:				
876543219	Kahn Tom L	Q to DIN 1	6May86	
456789123	Love Harry E	H39 to DIN 148	9May 86	

FYSP MENU

ITEMS REQUIRED:

- MAILING LABELS
- LETTER *
- ADMIN UNIT ACTION REPORT (RUN EVERY WED)
- INTERVIEW STATUS REPORT (RUN EVERY WED)
- ADCO RECRUITING ROSTER (RUN EVERY WED)
- UNIT OF PREFERENCE (RUN EVERY WED)
- BOARD SCORE DOCS.
- BOARD RANK REPORT
- BOARD ALPHA REPORT
- RECORD CONTROL ROSTER
- BOARD/MEMBER POINT SPREAD
- DODMERB TAPE (RUN EVERY WED)
- TAPE TO USAF ACADEMY (RUN EVERY WED)

SPECIAL INSTRUCTIONS:

- AFTER UPDATE, SELECT ALL T, Q, S STATUS (DIN 1) ADDRESS WINNER FORM LETTER (#3) USING DIN 3, 4, 5, 6, & 7.

REPORT: 24 JAN 74
AFMOTC FOUR YEAR SCHOLARSHIP PROGRAM (PA)
ALPHA HOSTER BY UNIT OF PREF APPLICANTS

DET PREF 0558

ATCH 49

3 4 STAN CLASS TEST ALT-RANK HB DISU CAUSE REMEDIAL REQ

0 500701033 MONTBRUR JAY W 2 100 1000 0900 F05 F02
 PCFF: PREFIADYV 4AYV US: 0000 STURGEON AVE FOUNTAIN VALLEY CA 92708 PH1014 962 8108 HSFOUNTAIN VALLEY
 ADW-D:0558 DET-P10558 DET-A: COLLEGE/UNIV OF ADMISSIONS: DET/PC-X: 700 DET/PC-S: 920 S1

C 541503900 OGATA SCOTT F # 2 10 011 1800 CA 90502 PH1210 300 7000 H8:
 PCFF: PREFIADYV 4AYV US: 02008 S MENLO AVE TORRANCE DET/PC-2: 0100 DET/PC-3: 805 5106010
 ADW-D:0558 DET-P10558 DET-A: COLLEGE/UNIV OF ADMISSIONS: DET PREF secondary

3 4 STAN CLASS TEST ALT-RANK HB DISU CAUSE REMEDIAL REQ

C 575045005 IJUNG ANDREW A 2 3.80 1070 HI 96025 PH1000 205 3095 H8:BAINT LUIS HI SCH
 PCFF: PREFIADYV 4AYV US: 1000 KALAPANI ST HONOLULU MI 96025 PH1000 205 3095 H8:BAINT LUIS HI SCH
 ADW-D:0175 DET-P10405 DET-A: COLLEGE/UNIV OF ADMISSIONS: MI 96025 PH1000 205 3095 H8:BAINT LUIS HI SCH 8105360

DET PREF secondary

NOTE: # INDICATED ABBREVIATION SINCE LAST REPORT

DATA MATRIX

<u>DIN</u>	<u>SOURCE</u>	<u>NO. POS</u>	<u>POSSIBLE ENTRIES</u>
1	SYSTEM GEN.	2	N.I.D.Z.C.T.L.Q.U.M.S.A.PLUS* or W
2	EACH APP. PAGE	9	0 THRU 9 ERROR OUT SOME NUMBER ALL 9 SPACES
3	APP. 1-2	27	A-Z
4	APP. 1-11	26	BUILD NO:(0-9), APT NO:(0-9)+A-2 STREET.FIRST 6(0-9 OR A-Z REWARDING 9(A-Z)
5	APP. 1-11	15	A-Z
6	APP. 1-11	2	A-Z (DIN 16 YES-COUNTRY NO-STATE)
7	APP. 1-11	9	0-9
8	APP. 1-3	10	0-9
9	APP. 1-4	1	M-MALE F-FEMALE
10	APP. 1-13	6	MM,DD,YY REFERENCE TO STANDARDS FILE FOR ACCEPTABLE PERIMETER
11	APP. 1-7	1	A-0
12	APP. 1-5	1	Y-YES N-NO Y-FLAG APPLICATION BUT ESTABLISH RECORD
13	APP. 1-6	5	POS 1:Y OR N POS 2. IF "Y" IN POS 1 THEN B OR N - IF "N" FLAG APPLICATION BUT ESTABLISH RECORD -CLERK WILL MANUALLY ENTER MONTH AND YEAR
14	SYSTEM GEN.	6	0-9,MM,DD,YY
15	APP.1-8	1	Y OR N IF "Y" FLAG APPLICATION
16	APP.1-11	1	Y OR N
17	APP. 1-9	1	Y OR N IF "Y" FLAG APPLICATION
18	APP. 1-14	1	Y OR N
19	APP. 1-14	1	Y OR N
20	APP. 1-10	1	Y OR N IF "Y" FLAG
21	APP. 2-1	4	0-9 MM YY REFER STANDARDS FILE FOR ACCEPTABLE
22	APP. 2-5	4	POS 1-3 (0-9) POS 4 (A-D)
23	"	4	"
24	"	4	"
25	APP. 2-3	1	1=11,2=12,GRAD=3
26	TAPE/KEY	2	NUMBERS:ACT-LOAD BOTH NO. SAT-LOAD FIRST TWO DROP ZERO
27	TAPE/KEY	2	NUMBERS:SAME AS ABOVE
28	SYSTEM GEN	1	T-TAPE ENTRY M-MANUAL ENTRY
29	TAPE + SYS GEN	4	0-9 ACT COMP COVERED TO SAT TOTAL EQUIVALENT
30	APP. 2-7	22	A-Z
31	APP. 2-7	14	A-Z
32	APP. 2-7	2	A-Z
33	APP. 2-9	9	0-9
34	APP. 2-10	1	PART=1,FULL=2,NONE=3 IF 2 FLAG APPLICANT ESTABLISH FILE
35	APP. 2-6 AND KEY	4	POS 1 TO 4-4AYY,4BY,4DYY,4EYY,4IYY,4IYY, 4LY,4MY,4NY,4QYY,4TY,2CAY,0CY,6YYY, 8FY,8AY,1AA,1AY,9BY,1AJ,00P,00N 00M
36	APP. 2-6 AND KEY	4	SAME AS DIN 35
37	APP. 3-2	3	0.00 TO 4.00
38	APP. 3-4	1	1-9-12,2-10-12,3-9-11,4-10AND11
39	APP. 3-3	4	0-9
40	APP. 3-3	4	0-9
41	APP. 3-3	4	0-9 SYSTEM VERIFY DIN 36 AND 37 EQUAL 38 IF DOESNT FLAG APPLICATION
42	APP. AFROTC USE ONLY LINE ONE PART 2	1	Y OR N LEFT 0 IF NOT CLERK COLORS IN FOR RIGHT 0

<u>DIN</u>	<u>SOURCE</u>	<u>NO. POS</u>	<u>POSSIBLE ENTRIES</u>
43	APP. 3-5	1	EXACT-1 ESTIMATE-2
44	CADET PROFILE PROGRAM	4	0-9
45	APP. 4-1	12	GROUPED BY TWO (AN ALPHA AND NUMBER)-CODE ACROSS BY ALPHA/DOWN BY NUMBER
46	CPP (SEE 41)	2	0-9
47	APP. 4-3	12	GROUP AND CODE AS DIN 45
48	CPP	2	0-9
49	APP. 4-5	8	CODE AS DIN 45
50	CPP	2	0-9
51	APP. 4-2	12	CODES AS DIN 45 (HIGHEST FOR A GIVEN YEAR)
52	CPP	2	0-9
53	APP. 4-4	1	A TO N ONE LETTER ASSIGNED EACH RANK-ONLY HIGHEST RANK REWARDED
54	CPP	2	0-9
55	APP. 3-7	8	CODE AS DIN 45 IF OTHER FLAG APPLICATION FOR KEY ENTRY TO DINS 56, 57 OR 58
56	KEY	10	A-Z AND 0-9 KEYED BY CLERK
57	.	.	.
58	.	.	.
59	CPP	2	0-9
60	APP 4-6	1	1-5 FLAG APPLICATION FOR KEY OF DIN 61
61	KEY	5	A-Z AND 0-9 ENTERED BY CLERK FROM APP 4-6
62	APP. 4-6	1	TOTAL GRADE 9-12 CODE AS 1-4
63	APP. 4-6	1	A-M CODE IN DESCENDING ORDER ONLY THE HIGHEST RANK
64	CPP	2	0-9
65	APP. 4-8	4	A-P
66	CPP	2	0-9
67	APP. 4-9	4	A-T
68	CPP	2	0-9
69	APP. 4-11	1	PRIVATE PILOT Y OR N
70	.	1	COMMERCIAL PILOT Y OR N
71	.	1	RADIO OPERATOR Y OR N
72	CPP	2	0-9
73	APP. 4-10	4	A-L
74	CPP	2	0-9
75	APP. 4-13	4	A-Z PLUS 1-2 CODES FROM LEFT TO RIGHT - ONLY HIGHEST POSITION ENTERED IN THE RECORD
76	.	4	.
77	.	4	.
78	.	4	.
79	.	4	.
80	.	4	.
81	.	4	.
82	.	4	.
83	.	4	.
84	.	4	.
85	.	4	.
86	.	4	.
87	.	4	.
88	.	4	.
89	.	4	.
90	.	4	.

<u>DIN</u>	<u>SOURCE</u>	<u>NO. POS</u>	<u>POSSIBLE ENTRIES</u>
91	.	4	.
92	.	4	.
93	.	4	.
94	.	15	A-Z FOR NAME, A DASH, THEN A-Z PLUS 1-2 REPRESENTING YEAR AND POSITION FROM LEFT TO RIGHT
95	.	15	.
96	CPP	3	0-9
97	APP. PART VI	1	1-5 TOTAL LINES USED
98	.	3	0-9 (WHOLE NUMBER, DECIMAL, TENTH)
99	.	3	SAME AS DIN 98
100	.	3	.
101	.	3	.
102	.	3	.
103	.	3	.
104	.	3	.
105	.	3	.
106	.	3	.
107	CPP	4	0-9
108	CPP	4	0-9
109	ZIP CODE PROGRAM ASSIGNS	4	0-9 IN POSITION 1-3, A-D IN POSITION 4
110	ZIP CODE PROGRAM ASSIGNS	4	A-Z POS 1-2, 0-9 POS 3-4
111	SYSTEM GEN	6	0-9 - MM, DD, YY
112	AFROTC FORM 1/KEY	1	1-5 SECTION H OF FORM AND 6 MANUALLY ENTERED
113	SYSTEM GEN	6	0-9: MM, DD, YY DATE ENTERED IN RECORD
114	AFROTC FORM 1	6	1-5: ONE POSITION FOR SECTION A-F
115	CPP	3	0-9
116	DODMERB MASTER TAPE (DMT) POS 217-218	2	POS 217: 1, 2, 3, A, B, C POS 218: W OR BLANK
117	DMT POS 185-190	6	YY, MM, DD
118	DMT POS 202	1	F OR BLANK
119	DMT POS 219-221	3	0-9 (3 NUMBER CODE)
120	.	3	.
121	.	3	.
122	.	3	.
123	.	3	.
124	SYSTEM GEN	4	MM, DD --- UPDATE EACH TIME INFO SENT TO DODMERB
125	SYSTEM GEN	5	SAME AS DIN 1 PLUS 0-9 FOR MM, DD
126	.	5	SAME AS DIN 125
127	.	5	.
128	.	5	.
129	.	5	.
130	KEYED	1	5 OR BLANK
131	AWARDS PROGRAM	1	A-Z
132	.	4	0-9
133	SCORE SHEET	1	1-9

DIN	SOURCE	NO. POS	POSSIBLE ENTRIES
134	.	3	055-100 IN INCREMENTS OF 5
135	.	3	.
136	.	3	.
137	TOTAL OF DIN 134-136	3	165-300 IN INCREMENTS OF 5
138	SYSTEM GEN	1	M OR J OR A
139	.	1	SPACE FILLED WITH 1 WHEN RECORD REMOVED OR BLANK
140	.	2	0-9: CODE FOR LAST TYPE OF POSTCARD SENT
141	.	2	0-9: COUNT OF CARDS SENT
142	.	4	SAME AS DIN 35
143	INTENT FORM	5	0-9 IN POS 1-3, A-D POS 4, A-T IN POS 5
144	FICE TABLE	7	0-9
145	COST TABLE	5	0-9
146	AWARDS PROGRAM	4	0-9
147	APP 2-2	1	Y OR N
148	SYSTEM GEN/KEY	3	0-9 & A-Z
149	.	3	.
150	.	3	.
151	.	3	.
152	.	3	.
153	SYSTEM/KEYED	1	W OR BLANK
154	KEYED	1	- OR BLANK
155	KEYED	1	Y OR BLANK
156		30	RESERVED FOR FUTURE GROWTH
157	KEYED	150	A-Z & 0-9

END
DITIC

7-86