

AD-A159 597

PROPOSAL FOR A SMALL DRIFTING BUOY SYSTEM OF LONG LIFE 1/1
BY UTILIZING WAVE POWER(U) ROYAL AUSTRALIAN NAVY
RESEARCH LAB EDGECLIFF M DE SOUSA FEB 85

UNCLASSIFIED

RANRL-TM-(EXT)-2/85

F/G 18/2

NL

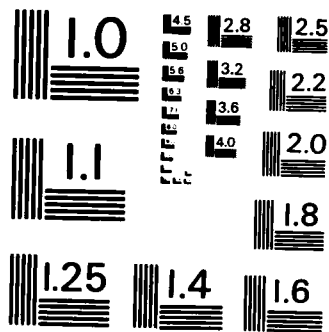


END

FORMED

DTIC





MICROCOPY RESOLUTION TEST CHART
NATIONAL BUREAU OF STANDARDS-1963-A

UNCLASSIFIED

2

RANRL-TM-(EXT)-2/85

AR No. 003-426



AD-A159 597

DEPARTMENT OF DEFENCE
DEFENCE SCIENCE AND TECHNOLOGY ORGANISATION
WEAPONS SYSTEMS RESEARCH LABORATORY
RAN RESEARCH LABORATORY

RANRL TECHNICAL MEMORANDUM (EXTERNAL)

No. 2/85

THE UNITED STATES NATIONAL
TECHNICAL INFORMATION SERVICE
IS AUTHORISED TO
REPRODUCE AND SELL THIS DOCUMENT

Proposal For a small Drifting Buoy System of Long Life by
utilizing Wave Power.

M. de SOUSA

APPROVED
FOR PUBLIC RELEASE

DTIC
ELECTE
SEP 24 1985
S B

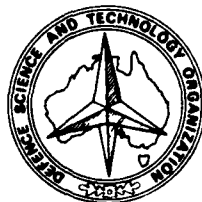
DTIC FILE COPY

COPY No. 000021

C Commonwealth of Australia
FEBRUARY 1985

UNCLASSIFIED

DEPARTMENT OF DEFENCE
WEAPONS SYSTEMS RESEARCH LABORATORY
RAN RESEARCH LABORATORY



© Commonwealth of Australia (1985)

RANRL TECHNICAL MEMORANDUM (EXTERNAL)

No. 2/85

Proposal for a small drifting buoy system of long life by
utilizing wave power.

M. de SOUSA



ABSTRACT

The motion of a buoy system made up of a spar and toroid
float is used to drive a linear induction generator.

POSTAL ADDRESS: Superintendent, Maritime Systems Division, WSRL
RAN Research Laboratory
PO Box 706, DARLINGHURST, NSW 2010

CONTENTS

	<u>Page No.</u>
INTRODUCTION	1
DESCRIPTION	1
LINEAR INDUCTANCE GENERATOR	4
ESTIMATION OF POWER	6
REFERENCES	8
APPENDIX	9

JN0200
D28000



Accession For	
NTIS GPOSI	<input checked="" type="checkbox"/>
DTIC TAB	<input type="checkbox"/>
Unannounced	<input type="checkbox"/>
Justification	
By _____	
Distribution/ _____	
Availability Codes	
Dist	Avail and/or Special
A-1	

PROPOSAL FOR A SMALL DRIFING BUOY SYSTEM OF LONG LIFE BY UTILIZING WAVE POWER

1. INTRODUCTION

Most buoy systems rely on storage batteries to power any instrumentation or sensors. They are generally of limited life unless some method of recharging the batteries is utilized. One standard method is by using solar cells. Energy obtained from them is limited by the weather, the available surface area and fouling. The method proposed in this memo is to use wave action to generate power through a linear induction generator. The type of wave action considered is small waves of amplitudes less than a few feet. The benefits of using this source of energy is that it does not suffer from biofouling or cloudcover and it is generally available 24 hours a day since a dead calm sea with little or no wave motion is rare.

2. DESCRIPTION

The main part of the buoy is a central thin spar with an antenna (if required) and a coil. Fitting around the central spar is a toroid float in which is housed a permanent magnet located opposite the coil on the spar. The toroid float is attached to the spar via a spring system, in this case a disc in which eight fingers have been cut, four are attached to the toroid float and four to the spar. This gives a double cantilever spring effect.

The purpose of the arrangement is to allow the toroid float to oscillate vertically relative to the spar utilizing the magnet and the coil to produce electric power as a linear inductance generator (Figure 2). The toroid float will respond readily to surface waves of small amplitude while the spar would have a much reduced response enabling electrical energy to be produced from the mechanical action of the waves.

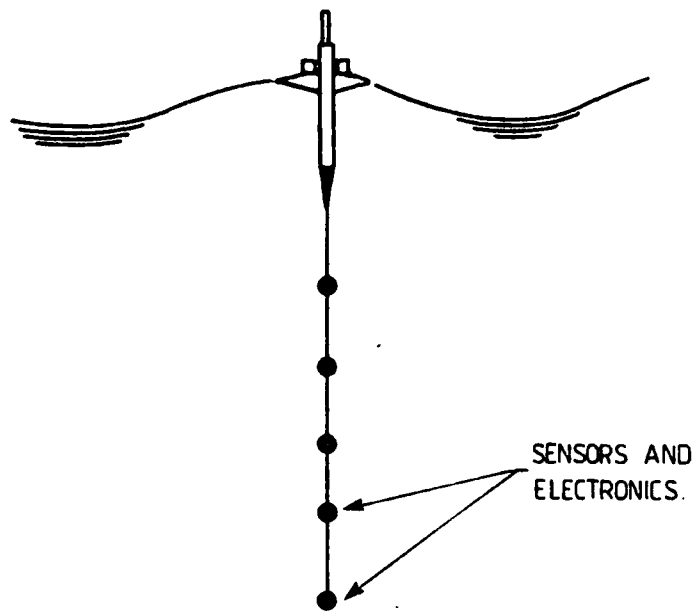


Fig. 1. Drifting system utilizing wave action for power generation.

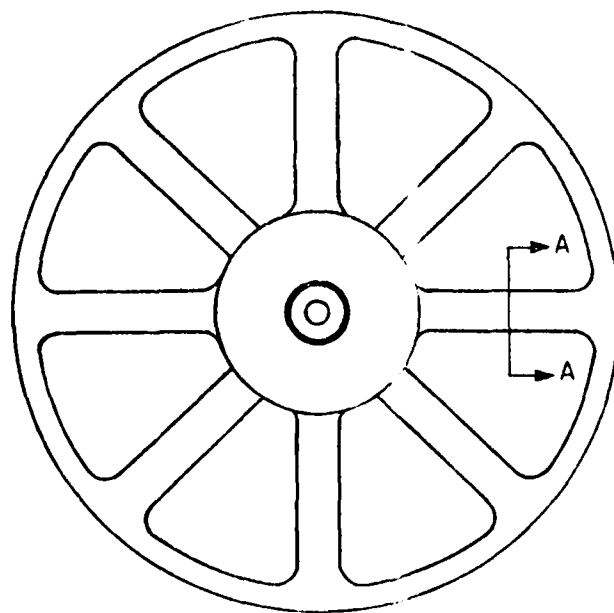
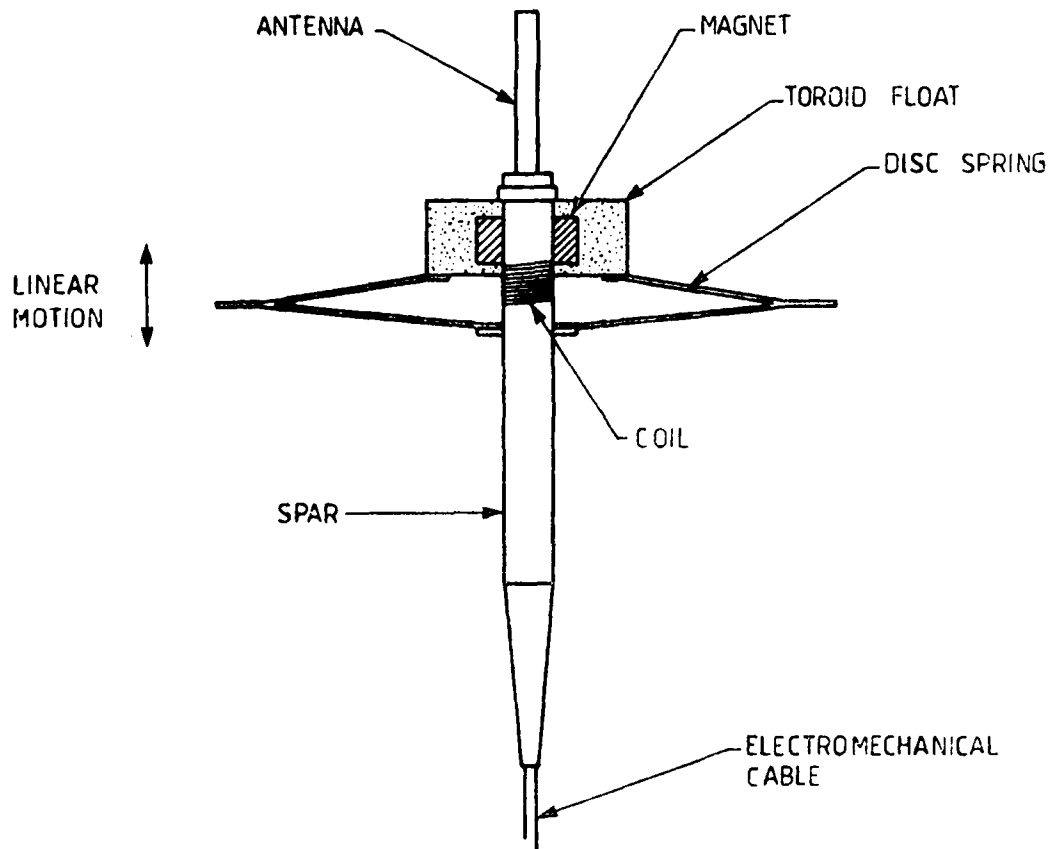


Fig. 2.

3. LINEAR INDUCTANCE GENERATOR

In order to make some theoretical determination of the power from the linear induction generator the wave action can be assumed to be sinusoidal of constant amplitude and frequency.

The magnet motion would respond to the wave action in the form

$$Z = Z_0 \cos(\omega t + \gamma - \sigma_z)$$

where ω - circular wave frequency

Z_0 - magnet motion amplitude

γ - phase angle dependent on the wave force components

σ_z - phase angle primarily dependent on the system damping factor

The coil motion would respond in the form

$$X_e = X_0 \cos(\omega_e t + \phi_e)$$

ϕ_e - phase angle

X_0 - coil motion amplitude

Relative motion $\xi = Z - X_e$

and $\dot{\xi} = \dot{Z} - \dot{X}_e$

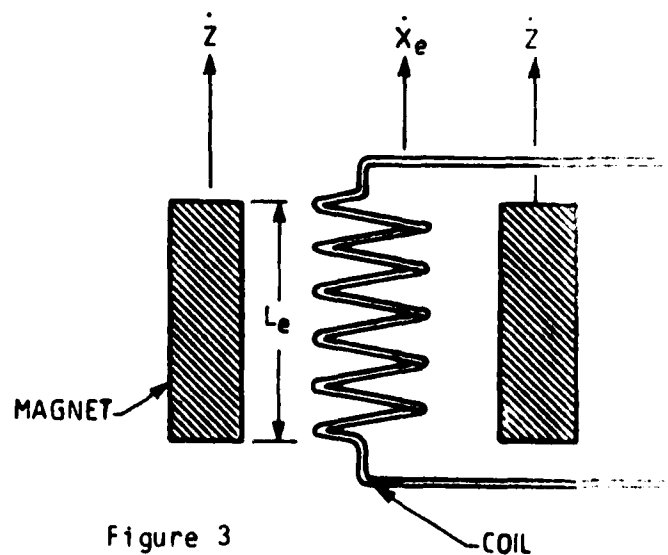


Figure 3

The heaving magnet body being part of the toroid float would follow the wave action readily making the phase angle $\sigma_z = 0$ and if motion is symmetric about the vertical axis then $\gamma = 0$ (Reference 1).

The circular frequency of the coil motion should be designed to be equal to that of the wave action

i.e. $\omega_e = \omega$

$$= \sqrt{\frac{K_e}{M_e}}$$

where $K_e =$ spring constant

$M_e =$ mass of coil system

A phase difference approaching 90° with the toroid float (magnet) motion leading the spar motion should be achievable by tailoring the design of the spar. Thus phase angle $\phi_e = -90^\circ$ (Reference 2).

The condition for resonance thus becomes

$$\dot{\xi} = \omega(X_0 \cos \omega t - Z_0 \sin \omega t)$$

$$\text{Electric Power } P_e = \frac{N_e^2 B_e^2 L_e^2 \dot{\xi}^2}{R_e}$$

$N_e =$ No. of turns of wire coil

$B_e =$ magnetic field

$L_e =$ length of wire coil within magnetic field

$R_e =$ load resistance in the wire coil.

Time Averaged Power

$$\begin{aligned}
 \hat{P}_e &= \frac{1}{T} \int_0^T P_e dt \\
 &= \frac{N_e^2 B_e^2 L_e^2}{R_e} \frac{4}{T} \int_0^{T/4} \dot{\xi}^2 dt \\
 &= \frac{N_e^2 B_e^2 L_e^2 \omega^2}{R_e} \frac{4}{T} \int_0^{T/4} (X_0 \cos \omega t - Z_0 \sin \omega t)^2 dt \\
 &= \frac{N_e^2 B_e^2 L_e^2 \omega^2}{2R_e} (X_0^2 + Z_0^2 - \frac{4Z_0 X_0}{\pi}) \dots (1)
 \end{aligned}$$

4. ESTIMATION OF POWER

Some idea of the maximum power can be estimated from equation (1) by substitution of typical values as in the following example

Wave period	T	-	2 sec
Wave frequency	ω	-	3.142 rad/sec
Length of coil	L_e	-	.101 m (4")
Magnetic field	B_e	-	.37 wb/m ²
Resistance	R_e	-	5 Ω
No. of turns	N_e	-	1000

Assuming an amplitude of magnet motion $Z_0 = .101m$
 and for a stationary coil $X_0 = 0$

Then

$$\begin{aligned} \hat{p}_e &= \frac{N_e^2 B_e^2 L_e^2 \omega^2 Z_0^2}{2R_e} \\ &= 1378 Z_0^2 \\ &= 14 \text{ Watts} \end{aligned}$$

Assuming an amplitude of magnet motion $Z_0 = .303 \text{ m}$
the variation of Power with coil amplitude is shown in Figure 4.

The efficiency of the system would be dependent on how much control of the damping for a particular design frequency was available. Apart from the viscous damping component there is also a magnetic damping component. Power obtained from a real ocean environment with random wave action would be more readily determined through field testing. A design frequency somewhere in the .5 to .1 Hz range (Fig. 5) would seem to be an appropriate starting point. The probability of average wave heights greater than .38 m is better than 95% (Fig. 6) which means that the magnet motion amplitude can be about .15 m (6").

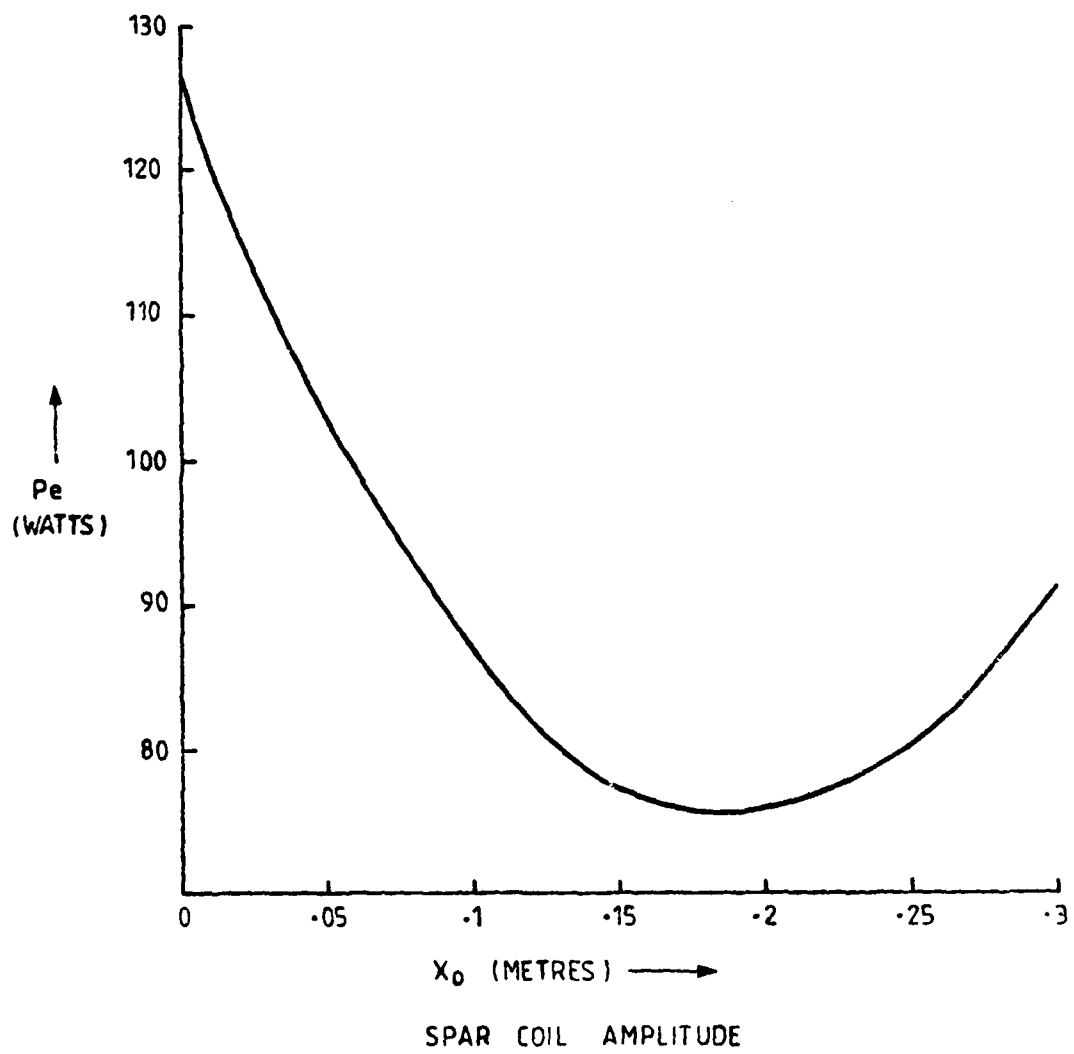


Fig. 4.

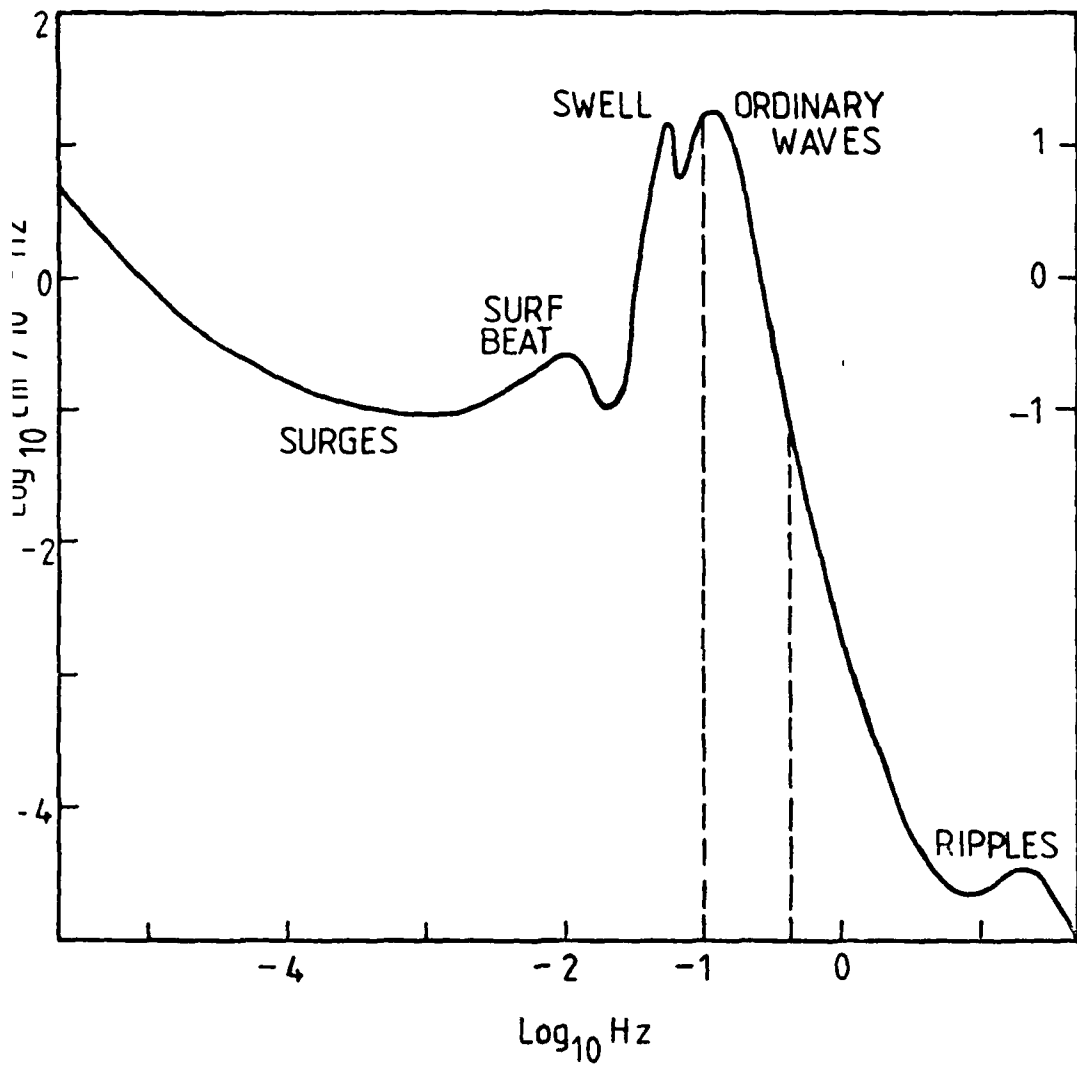
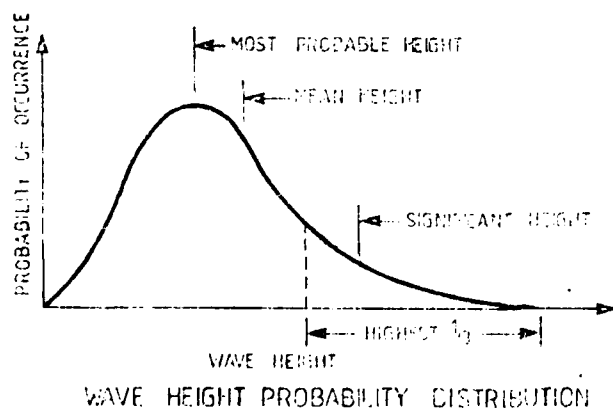
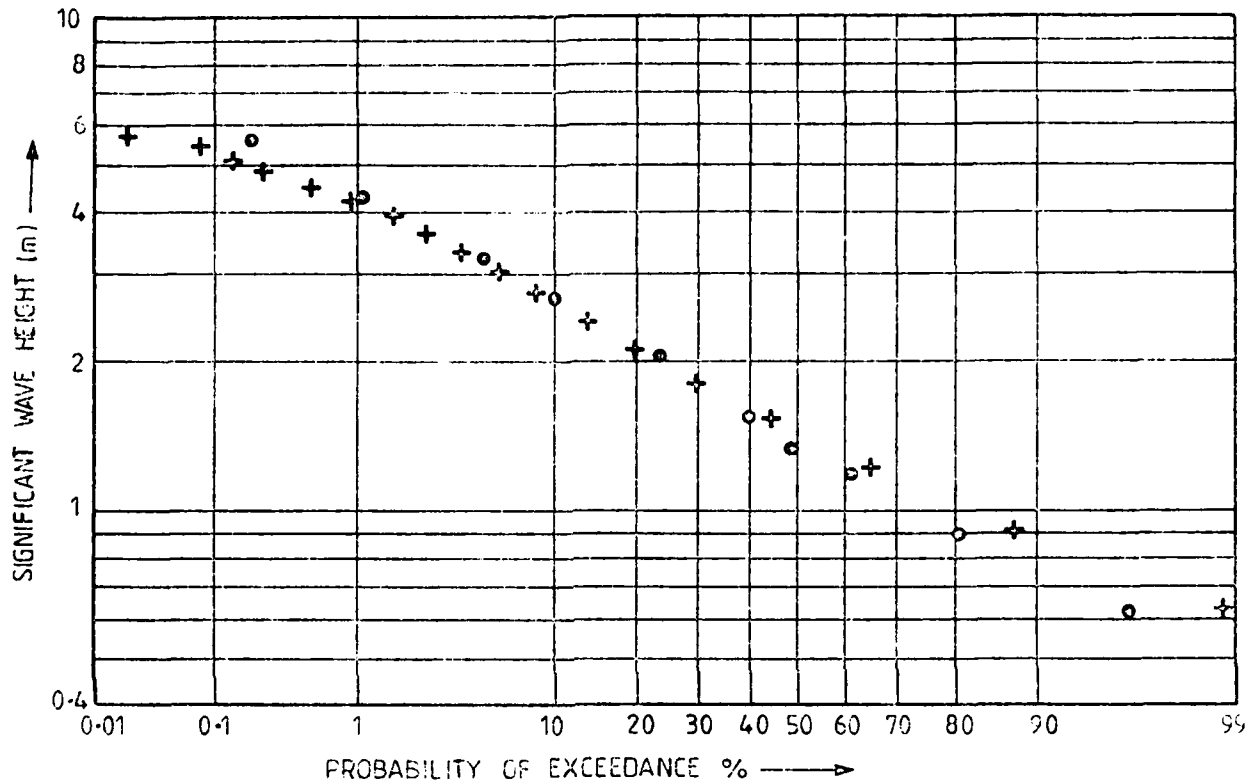


Fig. 5. Schematic plot of the ocean wave spectrum.



RELATION OF WAVE HEIGHT PARAMETERS TO SIGNIFICANT WAVE HEIGHT.

SIGNIFICANT HEIGHT	1.00
AVERAGE HEIGHT	0.64
AVERAGE OF HIGHEST 10%	1.00
AVERAGE OF HIGHEST 1%	1.68

HIGHEST OF SIMPLE SINE WAVES HAVING SAME ENERGY CONTENT AS WAVE TRAIN 0.80

TABULATION BASED UPON CUMULATIVE RAYLEIGH PROBABILITY DISTRIBUTION

Fig. 6. The probability of exceedance of significant wave height : • present data
+ Lawson and Abernathy (1975).

5. REFERENCES

- (1) Ocean Wave Energy Conversion
M.E. McCormick, Wiley 1981
- (2) A Wave Activated Electric Generator
T. Omholt
Proceedings, "Oceans 78", Marine Technology Conference,
Washington DC pp 585-589
- (3) Buoy Engineering
H.O. Berteaux, Wiley 1976
- (4) Formulas for Stress and Strain
R.J. Roark, and W.C. Young,
McGraw Hill, 1975
- (5) Fig. 6 supplied by I.S.F. Jones
Ocean Sciences group, RANRL

APPENDIX

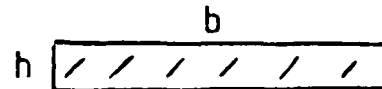
CALCULATION OF STIFFNESS OF SPRING SYSTEM AND MATCHING MASS

The load in the double cantilever spring system is distributed through four upper fingers and four lower fingers.

An estimation of the spar mass and the spring constant can be calculated from formulas in reference (4).

Example

If material is stainless steel sheet .10cm (.04") thick then $E \approx 206844$ MPa (30x10 psi)
Section A-A(fig.2)



$$I = \frac{bh^3}{12} = 3.33 \times 10^{-4} \text{ cm}^4 \quad (8 \times 10^{-6} \text{ in}^4)$$

if

$$L = 30.5 \text{ cm (12")}$$

then stiffness K_e is given by $P = K_e \delta$

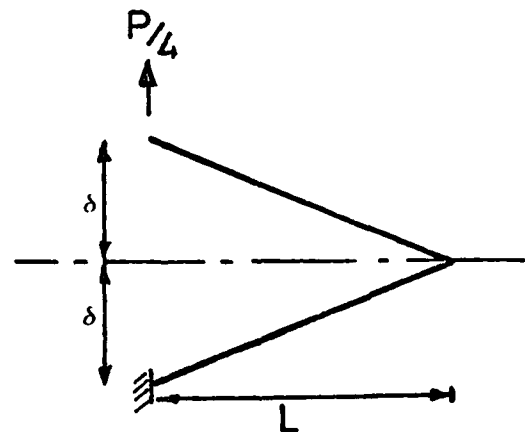
$$= 4 \left[\frac{3EI}{(2L)^3} \right] \delta$$

$$\text{i.e. } K_e = \frac{3EI}{2L^3} = 36.5 \text{ n/m (2.5 lb/ft)}$$

$$\text{if frequency } \omega_e = 3.142 \text{ rad/sec}$$

$$m_e = K_e / \omega_e^2$$

$$= 3.63 \text{ kg (8 lb mass)}$$



DISTRIBUTION

	<u>Copy No.</u>
CDC)
DCDS) 1
CERPAS)
SSPA	2
DSSTI JIO	3
Defence Central Library, Campbell Park	4
Document Exchange Centre DISB	5 - 22
CONDS (Washington)	23
DWSRL	24
Head, Marine Studies Composite, MSD, WSRL	25
DAEL	26
DERL	27
Library DRCS	28
Master Copy	29
RANRL	30 - 39
AGPS	40

Department of Defence

DOCUMENT CONTROL DATA

1. a. AR No 003-426	1. b. Establishment No RANRL - TM - (EXT) - 2/85	2. Document Date FEB 85	3. Task No 81/166 (2)
4. Title PROPOSAL FOR A SMALL DRIFTING BUOY SYSTEM OF LONG LIFE BY UTILIZING WAVE POWER (U)		5. Security a. document UNCLASS b. title c. abstract UNCLASS	6. No Pages 16 7. No Refs 5
8. Author(s) M. DE SOUSA		9. Downgrading Instructions	
10. Corporate Author and Address RAN RESEARCH LABORATORY PO BOX 706 DARLINGHURST NSW 2010		11. Authority (as appropriate) a. Sponsor b. Security c. Downgrading d. Approval a) b) DWSRL c) d)	
12. Secondary Distribution (of this document) UNLIMITED Overseas enquirers outside stated limitations should be referred through ASDIS, Defence Information Services Branch, Department of Defence, Campbell Park, CANBERRA ACT 2601			
13. a. This document may be ANNOUNCED in catalogues and awareness services available to ... NO LIMITATION			
13. b. Citation for other purposes (ie casual announcement) may be (select) unrestricted (or) as for 13 a.			
14. Descriptors BUOYS, FLOATS, GENERATOR, OCEAN WAVES, ELECTROMAGNETIC INDUCTION		15. COSATI Group 1406 2003 1310	
16. Abstract THE MOTION OF A BUOY SYSTEM MADE UP OF A SPAR AND TOROID FLOAT IS USED TO DRIVE A LINEAR INDUCTION GENERATOR, (U)			

This page is to be used to record information which is required by the Establishment for its own use but which will not be added to the DISTIS data base unless specifically requested.

16. Abstract (Contd)		
17. Imprint		
18. Document Series and Number	19. Cost Code	20. Type of Report and Period Covered
21. Computer Programs Used		
22. Establishment File Ref(s)		

END

FILMED

10-85

DTIC