

MICROCOPY RESOLUTION TEST CHART  
NATIONAL BUREAU OF STANDARDS-1963-A

2  
*Elmer*

FTD-ID(RS)T-0785-84

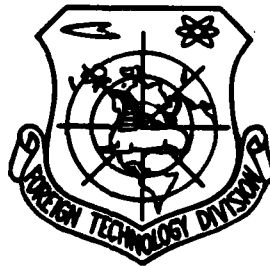
# FOREIGN TECHNOLOGY DIVISION



CAST (IRON) REINFORCING CAGE FOR ELEMENTS FOR LINING  
TUNNELS, AND THE LIKE, OF STRUCTURES WITH A ROUND CROSS  
SECTION

By

O. S. Raynus, P. I. Bokenoz, et al.



**DTIC**  
**ELECTE**  
JUN 20 1985  
**S** **D**  
*JK*

Approved for public release;  
distribution unlimited.



AD-A155 295

DTIC FILE COPY

85 5 14 073

# EDITED TRANSLATION

FTD-ID(RS)T-0785-84

8 April 1985

MICROFICHE NR: FTD-85-C-000180

CAST (IRON) REINFORCING CAGE FOR ELEMENTS FOR LINING  
TUNNELS, AND THE LIKE, OF STRUCTURES WITH A ROUND CROSS  
SECTION

By: O. S. Raynus, P. I. Bokenoz, et al.

English pages: 3

Source: USSR Patent Nr 116195 (597796), 21 April 1958,  
pp. 1-3

Country of origin: USSR

Translated by: Carol S. Nack

Requester: AEDC/IN

Approved for public release; distribution unlimited.

Availability For	
NTIS GRA&I	<input checked="" type="checkbox"/>
DTIC TAB	<input type="checkbox"/>
Unannounced	<input type="checkbox"/>
Justification	
Distribution/	
Availability Codes	
Dist	Avail and/or Special
A-1	



THIS TRANSLATION IS A RENDITION OF THE ORIGINAL FOREIGN TEXT WITHOUT ANY ANALYTICAL OR EDITORIAL COMMENT. STATEMENTS OR THEORIES ADVOCATED OR IMPLIED ARE THOSE OF THE SOURCE AND DO NOT NECESSARILY REFLECT THE POSITION OR OPINION OF THE FOREIGN TECHNOLOGY DIVISION.

PREPARED BY:  
TRANSLATION DIVISION  
FOREIGN TECHNOLOGY DIVISION  
WP-AFB, OHIO.

U. S. BOARD ON GEOGRAPHIC NAMES TRANSLITERATION SYSTEM

Block	Italic	Transliteration	Block	Italic	Transliteration
А а	<i>А а</i>	A, a	Р р	<i>Р р</i>	R, r
Б б	<i>Б б</i>	B, b	С с	<i>С с</i>	S, s
В в	<i>В в</i>	V, v	Т т	<i>Т т</i>	T, t
Г г	<i>Г г</i>	G, g	У у	<i>У у</i>	U, u
Д д	<i>Д д</i>	D, d	Ф ф	<i>Ф ф</i>	F, f
Е е	<i>Е е</i>	Ye, ye; E, e*	Х х	<i>Х х</i>	Kh, kh
Ж ж	<i>Ж ж</i>	Zh, zh	Ц ц	<i>Ц ц</i>	Ts, ts
З э	<i>З э</i>	Z, z	Ч ч	<i>Ч ч</i>	Ch, ch
И и	<i>И и</i>	I, i	Ш ш	<i>Ш ш</i>	Sh, sh
Й й	<i>Й й</i>	Y, y	Щ щ	<i>Щ щ</i>	Shch, shch
К к	<i>К к</i>	K, k	Ъ ъ	<i>Ъ ъ</i>	"
Л л	<i>Л л</i>	L, l	Ы ы	<i>Ы ы</i>	Y, y
М м	<i>М м</i>	M, m	Ь ь	<i>Ь ь</i>	'
Н н	<i>Н н</i>	N, n	Э э	<i>Э э</i>	E, e
О о	<i>О о</i>	O, o	Ю ю	<i>Ю ю</i>	Yu, yu
П п	<i>П п</i>	P, p	Я я	<i>Я я</i>	Ya, ya

\*ye initially, after vowels, and after ь, ь; e elsewhere.  
When written as ë in Russian, transliterate as yë or ë.

RUSSIAN AND ENGLISH TRIGONOMETRIC FUNCTIONS

Russian	English	Russian	English	Russian	English
sin	sin	sh	sinh	arc sh	sinh <sup>-1</sup>
cos	cos	ch	cosh	arc ch	cosh <sup>-1</sup>
tg	tan	th	tanh	arc th	tann <sup>-1</sup>
ctg	cot	cth	coth	arc cth	coth <sup>-1</sup>
sec	sec	sch	sech	arc sch	sech <sup>-1</sup>
cosec	csc	csch	csch	arc csch	csch <sup>-1</sup>

Russian English

rot curl  
lg log

GRAPHICS DISCLAIMER

All figures, graphics, tables, equations, etc. merged into this translation were extracted from the best quality copy available.

**CAST (IRON) REINFORCING CAGE FOR ELEMENTS FOR LINING TUNNELS, AND THE LIKE, OF STRUCTURES WITH A ROUND CROSS SECTION**

O. S. Raynus, P. I. Bokenoz, G. I. Bol'shakov, D. I. Bol'shakov, S. S. Kazantsev, A. I. Kozyrev, K. A. Kuznetsov, A. S. Maksimov, G. A. Skobennikov, V. T. Sokolovskiy, B. V. Tyagin, L. V. Frolov, Yu. V. Yukhov, P. A. Yakovlev

Presented on 21 April 1958 as No. 597796 to the Committee on Inventions and Discoveries of the Council of Ministers USSR

We know of cast reinforcing cages consisting of flat frameworks which are joined by welding the protruding parts, and their precise positioning in the structure is provided by using gages.

A highly skilled work force is needed to perform these operations.

In the cage described below, this drawback is eliminated by making the flat cages with bosses for providing precise positioning during assembly, and they are locked together when they (the flat frameworks) are combined into the cage of the lining element.

This design does not require the installers to be highly skilled, and it makes it possible to rapidly assemble the cages with a small expenditure of the work force.

Figure 1 shows a rough picture of the cage in the assembled form; it has been placed in forms before being set in concrete. Figure 2 shows a detailed view of the end part of the cage on an enlarged scale.



Fig. 1.

According to the invention, the cast reinforcing cage 1 (Fig. 1 and 2) is made from flat cast iron frameworks placed both over the contour of the block in the annular 2 and radial 3 directions, and inside it 4. All of the flat frameworks: 2, 3, 4 are trusses consisting of chords 5 and a grid made up of struts 6.

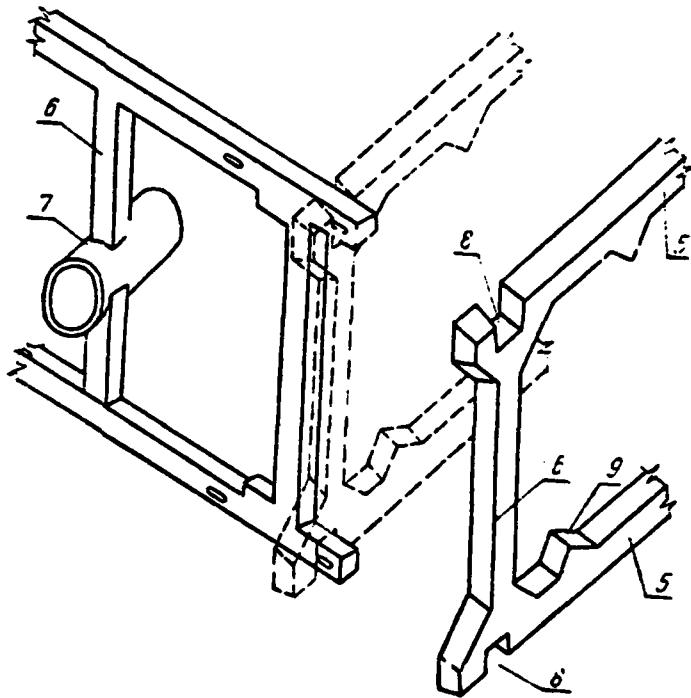


Fig. 2.

The closed form of the cages makes it possible to transfer the forces from the working reinforcement to the concrete, which makes it unnecessary to install anchoring rods.

Holes 7 are made in the cage struts during lining for the assembly couplings. When joined into the cage of a lining element, the flat frameworks are locked together. Their chords have notches 8 for this purpose.

The frameworks, which are installed in the circular direction 2, have beveled bosses 9 on the inner surfaces of the chords; the frameworks installed in the radial direction rest on these bosses.

The above bosses make it possible to precisely fasten down the flat frameworks in the desired position.

## Subject of Invention

This invention is a cast (iron) reinforcing cage for the lining elements of tunnels, etc., of structures with a round cross section and which are assembled from flat frameworks. It differs because in order to decrease the labor consumption of installation, the flat frameworks have bosses to provide precise positioning during assembly, and they are locked together when they are joined into the cage of the tunnel lining element. (Transl. No. 1111)



DISTRIBUTION LIST

DISTRIBUTION DIRECT TO RECIPIENT

<u>ORGANIZATION</u>	<u>MICROFICHE</u>
A205 DMAHTC	1
A210 DMAAC	1
B344 DIA/RTS-2C	9
C043 USAMIIA	1
C500 TRADOC	1
C509 BALLISTIC RES LAB	1
C510 R&T LABS/AVRADCOM	1
C513 ARRADCOM	1
C535 AVRADCOM/TSARCOM	1
C539 TRASANA	1
C591 FSTC	4
C619 MIA REDSTONE	1
D008 NISC	1
E053 HQ USAF/INET	1
E404 AEDC/DOF	1
E408 AFWL	1
E410 AD/IND	1
E429 SD/IND	1
P005 DOE/ISA/DDI	1
P050 CIA/OCR/ADD/SD	2
AFIT/LDE	1
FTD	
CCN	1
NIA/PHS	2
LLNL/Code L-389	1
NASA/NST-44	1
NSA/1213/TDL	2

**END**

**FILMED**

**7-85**

**DTIC**