

MICROCOPY RESOLUTION TEST CHART
NATIONAL BUREAU OF STANDARDS-1963-A

AD A129090

12

AD-F300260


AD

TECHNICAL REPORT ARBRL-TR-02491

FLASH X-RAY CINERADIOGRAPHY
AT 100,000 FPS

John J. Trimble
Clifford L. Aseltine

May 1983



US ARMY ARMAMENT RESEARCH AND DEVELOPMENT COMMAND
BALLISTIC RESEARCH LABORATORY
 ABERDEEN PROVING GROUND, MARYLAND

Approved for public release; distribution unlimited.

ENC FILE COPY

DTIC
ELECTE
MAY 27 1983
S D
E

88 05 27 048

**Destroy this report when it is no longer needed.
Do not return it to the originator.**

**Additional copies of this report may be obtained
from the National Technical Information Service,
U. S. Department of Commerce, Springfield, Virginia
22161.**

**The findings in this report are not to be construed as
an official Department of the Army position, unless
so designated by other authorized documents.**

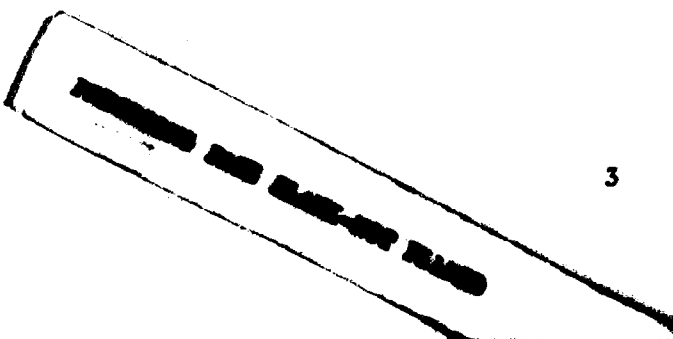
*The use of trade names or manufacturers' names in this report
does not constitute endorsement of any commercial product.*

REPORT DOCUMENTATION PAGE		READ INSTRUCTIONS BEFORE COMPLETING FORM
1. REPORT NUMBER TECHNICAL REPORT ARBRL-TR-02491	2. GOVT ACCESSION NO. AD-A129 090	3. RECIPIENT'S CATALOG NUMBER
4. TITLE (and Subtitle) FLASH X-RAY CINERADIOGRAPHY AT 100,000 FPS	5. TYPE OF REPORT & PERIOD COVERED Final	
	6. PERFORMING ORG. REPORT NUMBER	
7. AUTHOR(s) J. J. Trimble C. L. Aseltine	8. CONTRACT OR GRANT NUMBER(s)	
9. PERFORMING ORGANIZATION NAME AND ADDRESS US Army Ballistic Research Laboratory ATTN: DRDAR-BLT Aberdeen Proving Ground, MD 21005	10. PROGRAM ELEMENT, PROJECT, TASK AREA & WORK UNIT NUMBERS 1L161101A91A	
11. CONTROLLING OFFICE NAME AND ADDRESS US Army Armament Research & Development Command US Army Ballistic Research Laboratory (DRDAR-BLA-S) Aberdeen Proving Ground, MD 21005	12. REPORT DATE May 1983	
	13. NUMBER OF PAGES 23	
14. MONITORING AGENCY NAME & ADDRESS (if different from Controlling Office)	15. SECURITY CLASS. (of this report) UNCLASSIFIED	
	15a. DECLASSIFICATION/DOWNGRADING SCHEDULE	
16. DISTRIBUTION STATEMENT (of this Report) Approved for public release, distribution unlimited.		
17. DISTRIBUTION STATEMENT (of the abstract entered in Block 20, if different from Report)		
18. SUPPLEMENTARY NOTES		
19. KEY WORDS (Continue on reverse side if necessary and identify by block number) cineradiography image intensifier flash x-ray image intensification screen		
20. ABSTRACT (Continue on reverse side if necessary and identify by block number) (dic) We have developed a cineradiography technique which will produce six pictures, each on a separate piece of film, with framing rates up to 100,000 frames/second. The system utilizes six 150 keV flash x-ray tubes mounted side by side in one head. X-rays are converted to light by a single x-ray image intensification screen with rapid phosphor decay. The x-ray screen is viewed through six individually adjustable lenses by six, gated image intensifier tubes with light amplification of 15,000. Output from the tubes is recorded on Polaroid film. The x-ray flash duration of 70 nanoseconds per tube determines exposure time.		

TABLE OF CONTENTS

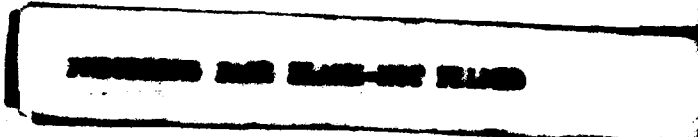
	LIST OF ILLUSTRATIONS	Page 5
I.	INTRODUCTION.	7
II.	EXPERIMENTAL SETUP.	7
III.	SEQUENCE OF OPERATION	9
IV.	RESULTS	17
V.	CONCLUSIONS	17
	DISTRIBUTION LIST	21

Accession For	
NTIS GRA&I	<input checked="" type="checkbox"/>
DTIC TAB	<input type="checkbox"/>
Unannounced	<input type="checkbox"/>
Justification	
By _____	
Distribution/	
Availability Codes	
Dist	Avail and/or Special
A	



LIST OF ILLUSTRATIONS

Figure		Page
1	Block Diagram of Cineradiography System.	8
2	Single Head Containing Six Tubes	10
3	ITT Micro Channel Plate Image Intensifier Tube	11
4	Diagram of Electronic Focusing and Pulsing Circuit	12
5	Result of Study of GAF Gd ₂ O ₂ S:Pr Screen (August 1980).	13
6	Result of Study of P-15 Phosphor Screen.	14
7	Result of Study of P-24 Phosphor Screen.	15
8	Comparison of Fast Decay Intensification Screens	16
9	Set-Up for Three-Flash Cineradiography	18
10	Low Framing Rate Sequence (5700 FPS)	19
11	Fast Framing Rate Sequence (100,000 FPS)	19



I. INTRODUCTION

In the past several decades, the field of detonation physics has made tremendous advances, due, in large measure, to the existence of high-speed framing cameras and streak photography. Flash radiography, although used extensively, has had less of an impact, due to the inability to obtain high framing rates. Because of a definite requirement for this capability for some of our projects, we have developed a flash x-ray cineradiography system.

Many x-ray cineradiography techniques have been proposed over the years. The objective of all such systems is to produce multiple, discrete images of a high-speed event with the shortest possible interframe time and with the least possible spatial separation of the x-ray sources. Systems proposed in the past have differed in the method used to generate the x-ray flashes and in the recording system. With respect to the x-ray source, Hunter¹ at Zenith Radio and Espejo² at Field Emission, Inc., suggested using multiple flash x-ray pulsers coupled to a single tube. This approach eliminated parallax, but anode heating severely limited the number of frames which could be taken. Bracher³ used a steady state source with an image intensifier tube and high-speed framing camera. This system eliminates parallax but has low penetration capability and may be photon limited at high framing rates. In the work described here, we have used multiple flash x-ray tubes enclosed in a single tube head. This approach minimizes parallax while avoiding the difficulties mentioned above. With regard to recording techniques, Bracher and Swift⁴ have suggested the use of a gated image converter camera which records successive images on different regions of the same piece of film. This system requires only one lens and image converter camera. We considered using a high-speed framing camera to view an image intensifier. This system requires an image intensifier with a fast decaying phosphor, an expensive high-speed framing camera, and may be photon limited due to the high f number (small effective aperture) and short exposure time of high-speed framing cameras. In the work described here, we overcame these problems by using a separate microchannel plate image intensifier for each frame.

II. EXPERIMENTAL SETUP

The block diagram of the cineradiography system is shown in Figure 1. This is a six-flash system capable of framing rates greater than 10^5 frames/second. The flash x-ray portion of the system consists of a six-channel

¹Hunter (1962) Zenith Radio Corporation, Menlo Park, California.

²Espejo, R. (1979) Hewlett-Packard, Field Emission Division, McMinnville, Oregon.

³Bracher, R. (1980) International Applied Physics, Inc., Dayton, Ohio.

⁴Swift, H. (1980) International Applied Physics, Inc., Dayton, Ohio.

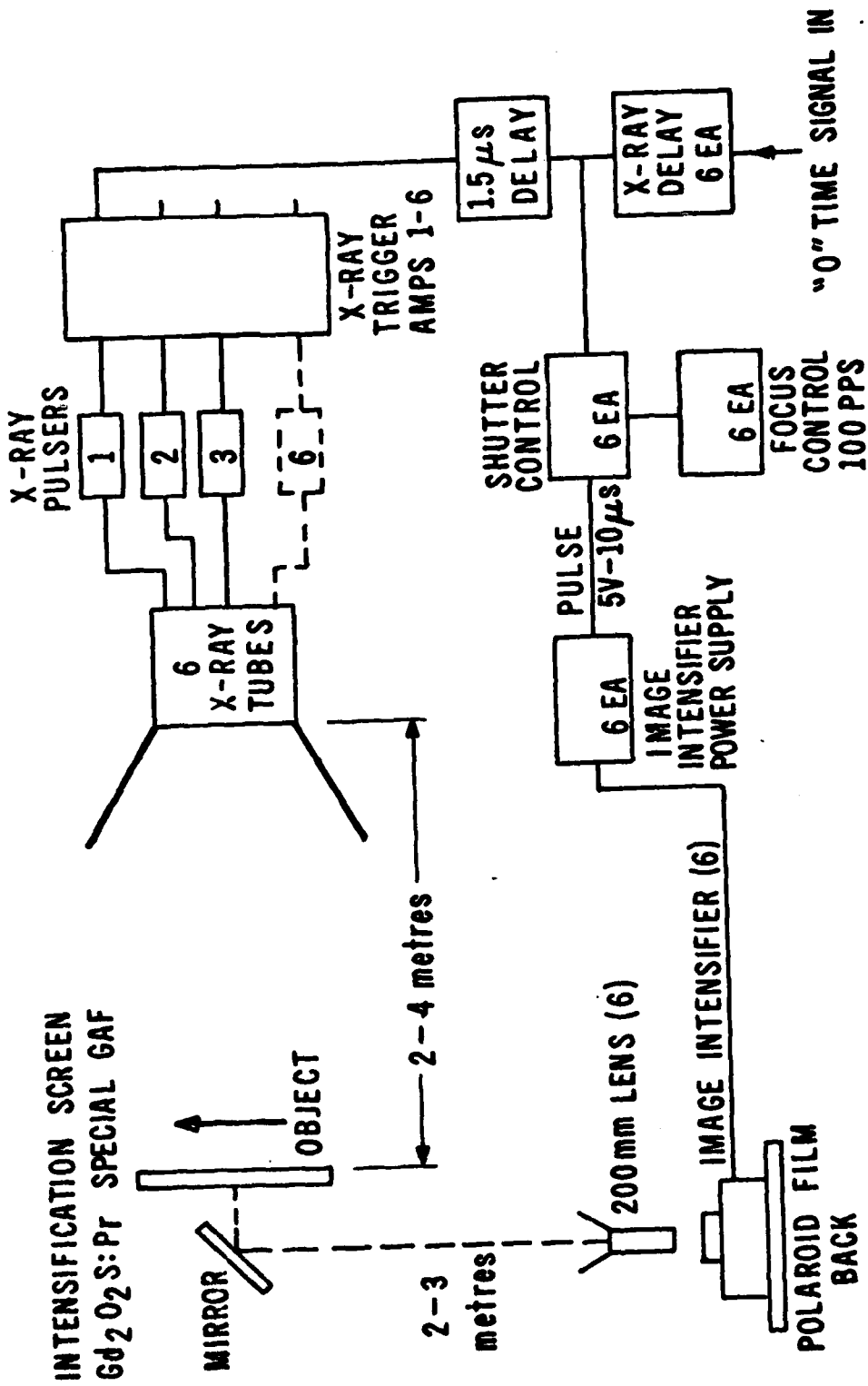


Figure 1 : Block diagram of Cineradiography System.

Hewlett-Packard 150 kv, 70 nanosecond pulse duration x-ray with six tubes contained in a single specially designed head and spaced 44.5 mm center to center (Figure 2). The exposure time of each frame is controlled by the pulse duration of the source. The x-ray photons are converted to visible light on a single 356 x 432 mm fast decay phosphor x-ray intensification screen. The choice of this screen will be discussed later. Six 200 mm F/2 lenses focus the image from the screen onto the input windows of six gated ITT microchannel plate image intensifier tubes (Figure 3) with gains adjustable up to 15,000. The image is recorded on Type 52 Polaroid film which is in direct contact with the output fiber-optics on each image intensifier tube.

A special pulsing circuit (Figure 4) for the gated image intensifier tube was developed to control the shutter "open" time. This time is adjustable from 3 to 100 μ sec and is a function of framing rate. Built into the circuit is a novel pulse generator for static focusing of the optical system at a rate of 100 pulses/second.

III. SEQUENCE OF OPERATION

After a "0" time signal is supplied to the six delay units, a suitable delayed signal gates the first image intensifier and x-ray tube no. 1. The image tube is gated on for an adjustable period, determined by the framing rate. The moving object is shadowgraphed on the x-ray intensification screen, picked up by the image intensifier, amplified up to 15,000 times, and recorded on Polaroid ASA 400 film. This sequence continues for five additional flashes with adjustable preset intervals. A total of six individual flashes is recorded on six separate pieces of film.

The resolution of the image intensifier tube is nominally 22 line pairs/mm. When these images are enlarged to normal size, resolution becomes about 1.5 to 2 line pairs/mm, which is comparable to the resolution obtained in energetic ballistic events utilizing a standard x-ray film and intensifying screen package.

Prior to a decision on this approach to take cineradiographs, a study of x-ray intensification screens was undertaken. Light output and duration were measured with a photomultiplier tube and lens looking at several types of screens and phosphors. The results of our screen studies are shown in Figures 5-8. Phosphors tested and the principal results are as follows:

1. IAP-2000. A proprietary composition supplied to us by International Applied Physics who suggested its use for cineradiography applications.
2. Anthracene/Lucite. This phosphor was prepared by Gibbons in our laboratory as a possible fast decay scintillator. Results indicate this phosphor has definite possibilities for fast-framing-rate cineradiographs (10^6 FPS).
3. P-15. This phosphor was furnished by Sylvania. Excellent fast-decay characteristics.
4. P-24. Another Sylvania phosphor. Has very fast decay response.
5. $Gd_2O_2S:Pr$. From GAF. Very high light output with short decay.

Utilizing these results, it appears the special GAF $Gd_2O_2S:Pr$

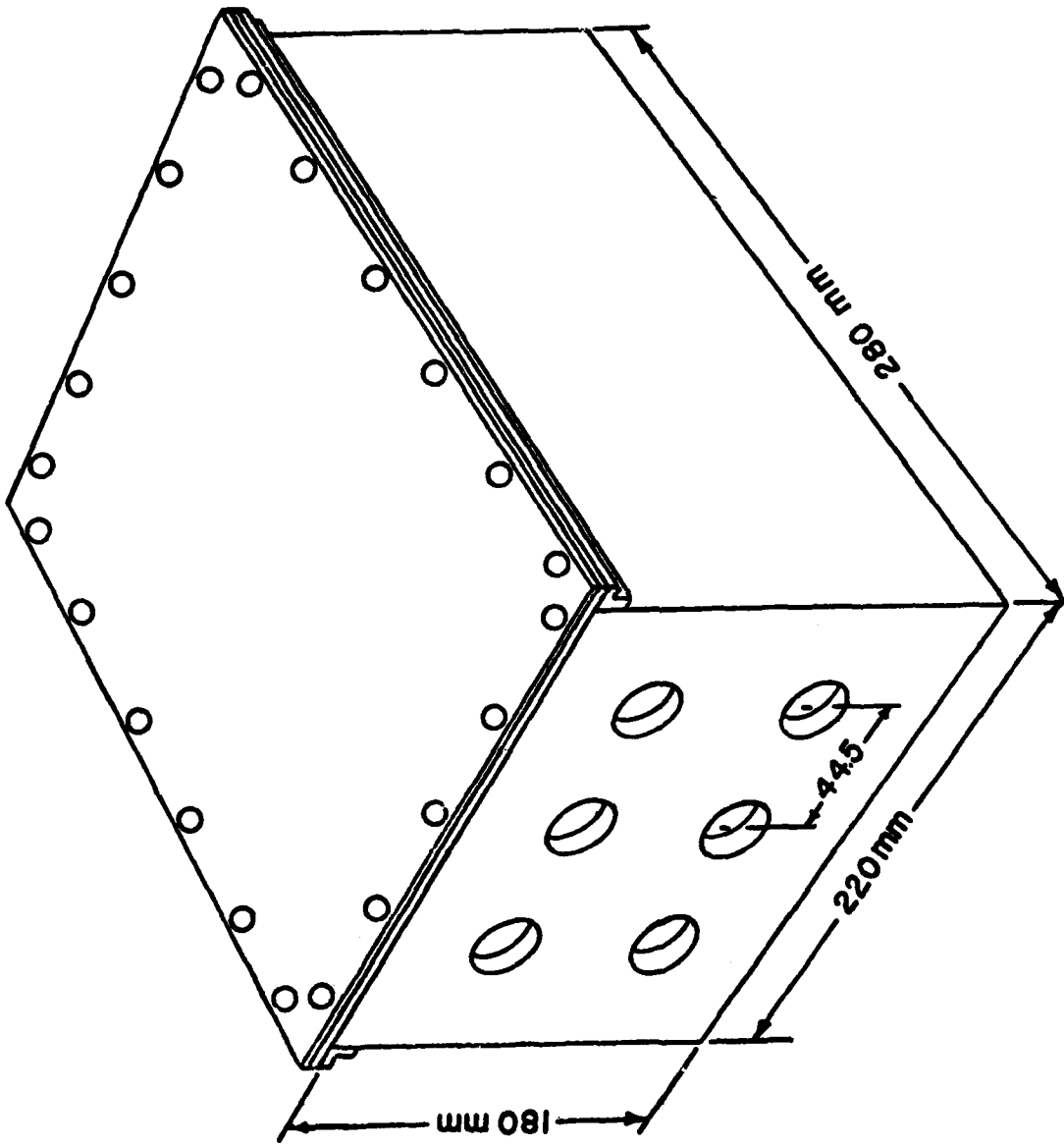


Figure 2: Single head containing six tubes.

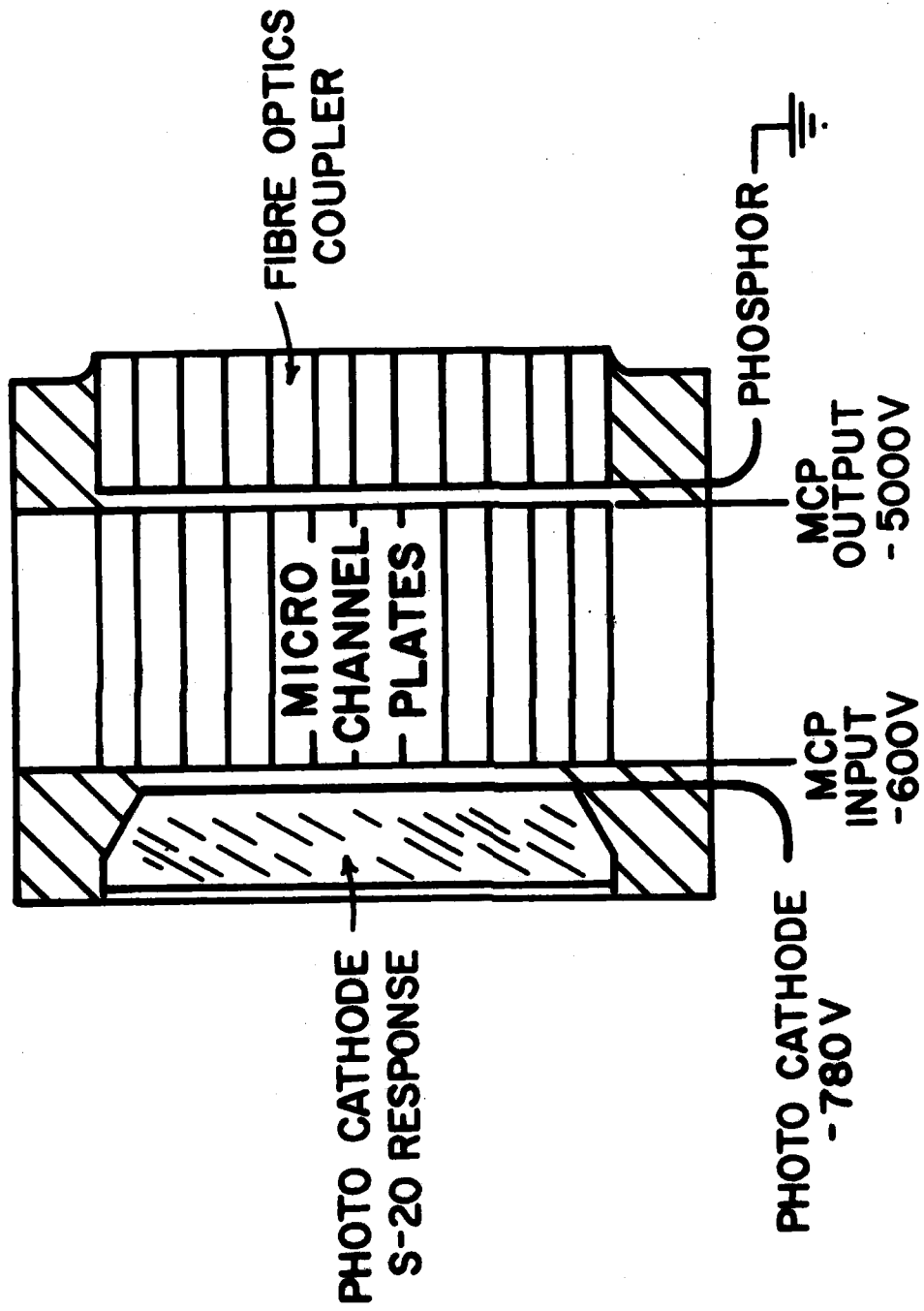


Figure 3: ITT Micro Channel Plate Image Intensifier Tube.

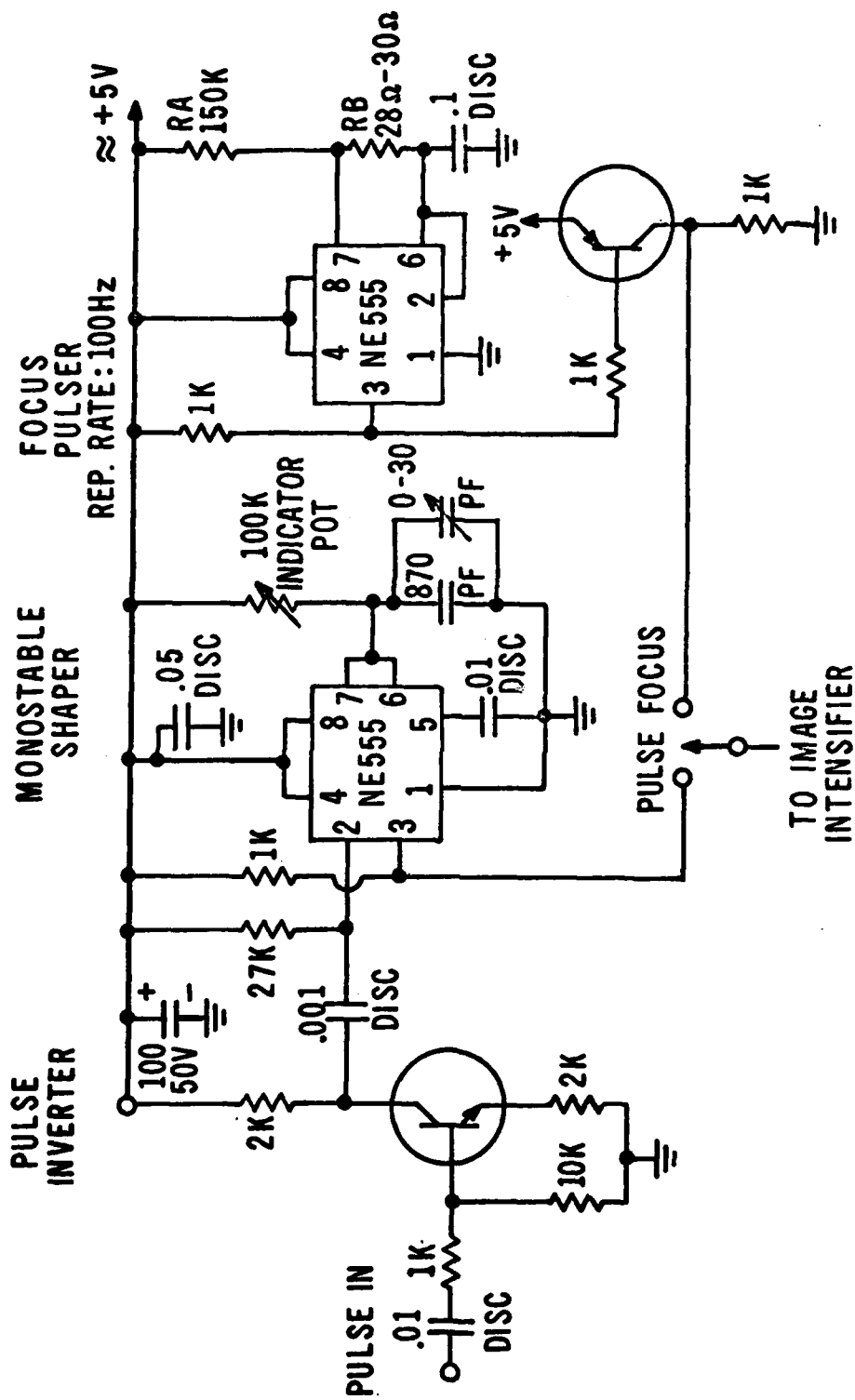


Figure 4: Diagram of electronic focusing and pulsing circuit.

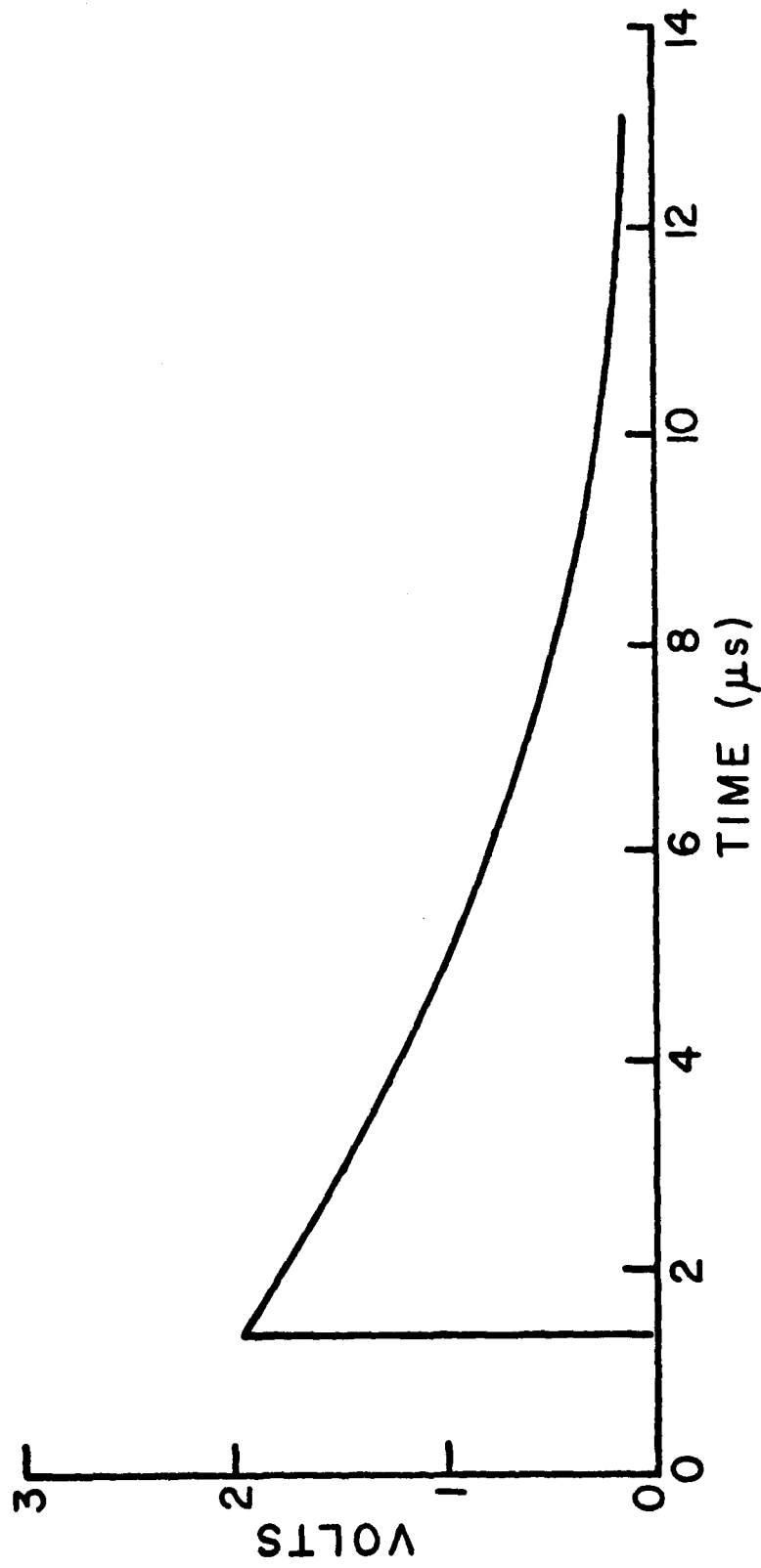


Figure 5 : Result of study of GAF $\text{Gd}_2\text{O}_2\text{S}:\text{Pr}$ Screen (August 1980).

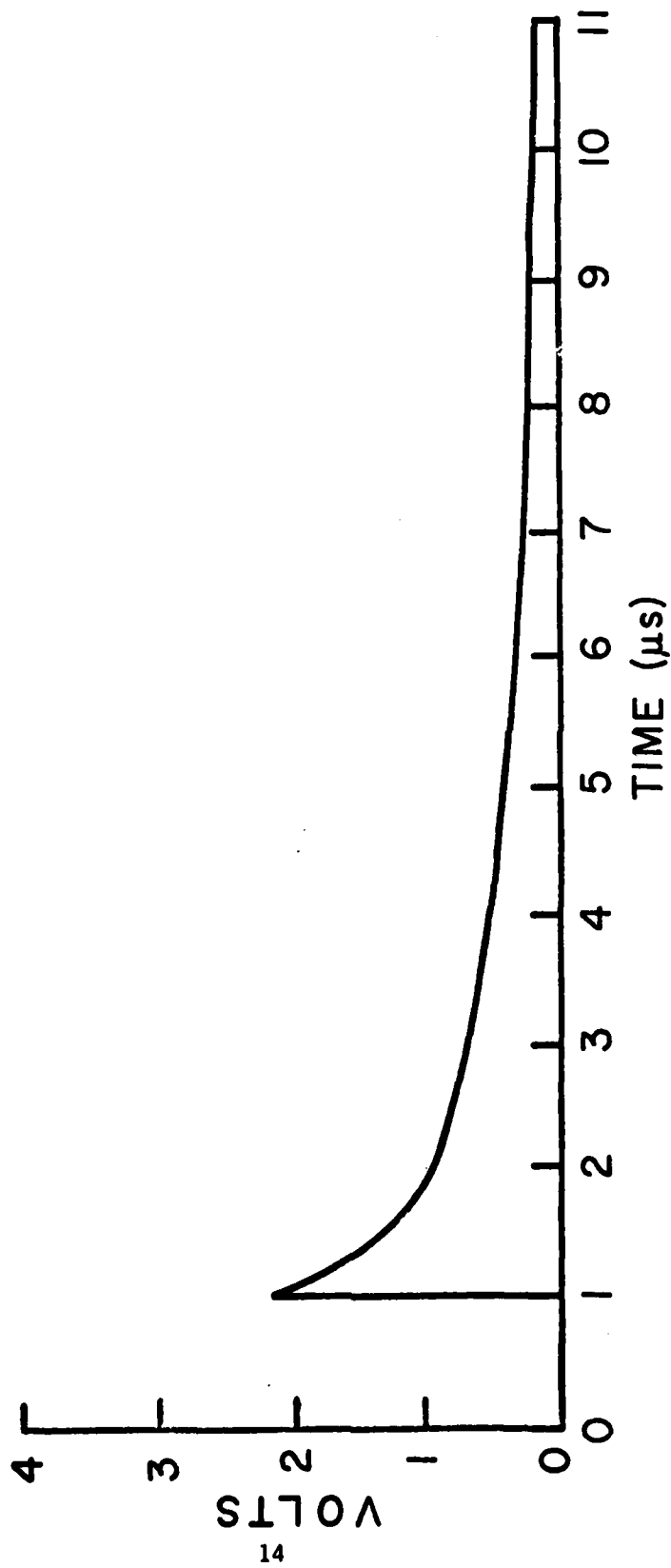


Figure 6: Result of study of P-15 phosphor screen.

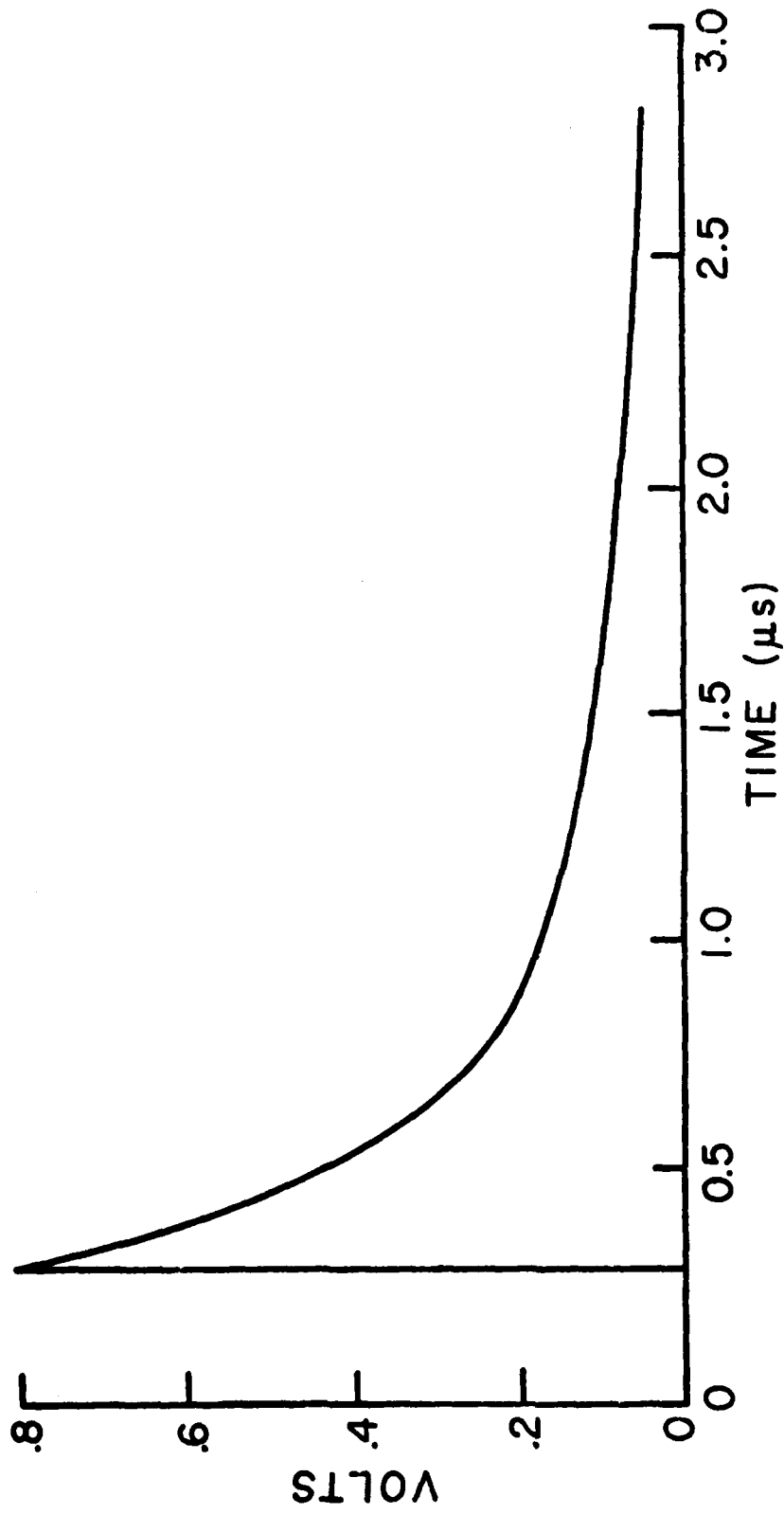


Figure 7 : Result of study of P-24 phosphor screen.

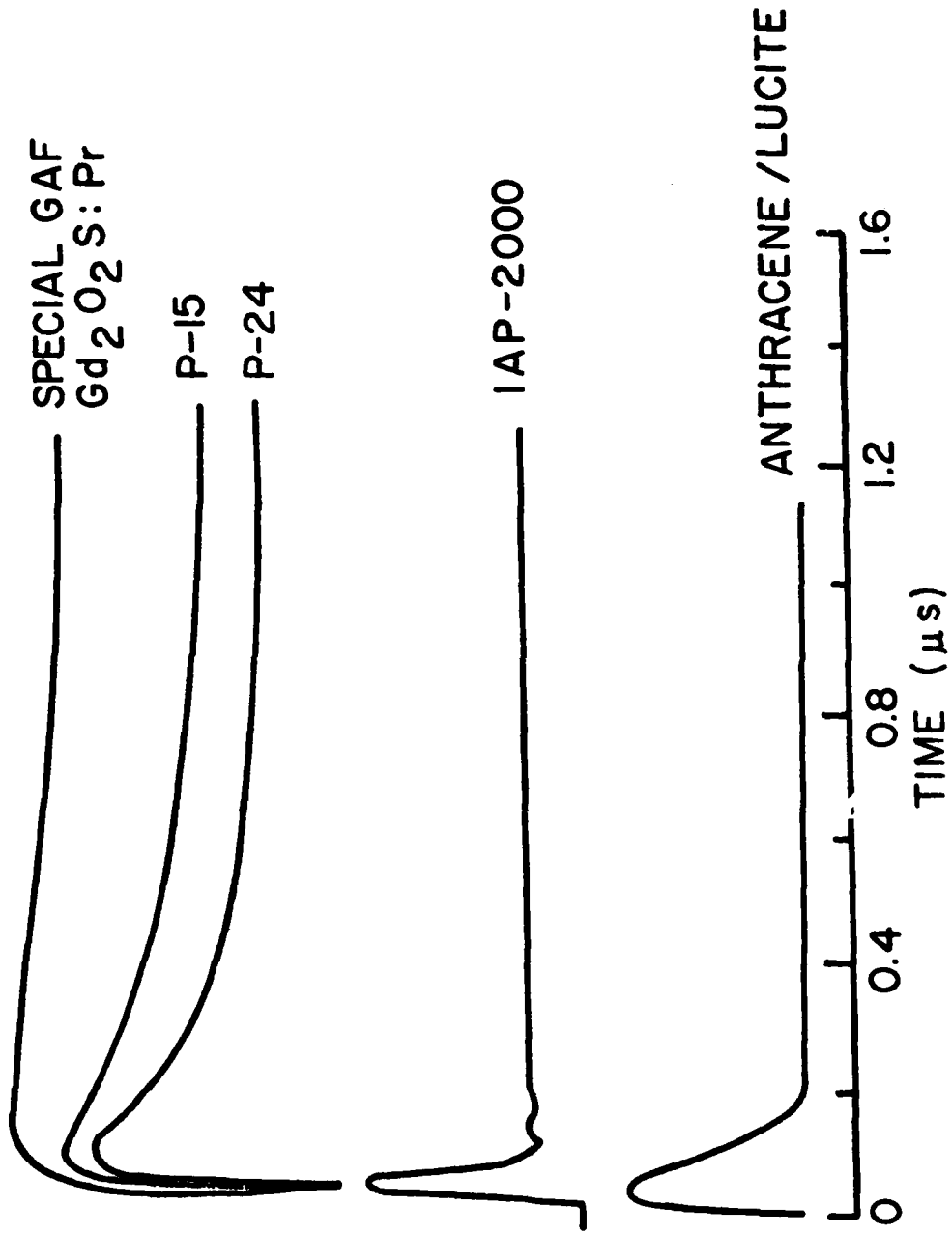


Figure 8 : Comparison of fast decay intensification screens.

(gadolinium-oxy-sulfide with praseodymium doping) provides the most light over a 10 μ sec interval. This screen decays to the baseline in approximately 14 μ sec, but at the 10 μ sec point is sufficiently decayed that it does not interfere with subsequent pictures. Gadolinium-oxy-sulfide screens are widely used as x-ray intensifiers. When the rare earth element praseodymium is added, the phosphor decay time is greatly reduced. Light emission from our screen falls in the blue-green region. Higher frame rates can be obtained by using faster decay phosphors such as P-15 or P-24. Work is continuing on phosphors for these higher frame rates.

IV. RESULTS

With the $Gd_2O_2S_2:Pr$ screen and system components shown in Figure 1, a three-channel system was assembled and tested (Figure 9). The first sequence of pictures shows a 25 mm diameter x 6 mm thick disc being propelled from a stick of explosive. The delay between each picture is 175 μ sec, producing a framing rate of 5700 FPS. Using the 50 mm fiducial marks located on the intensification screen, the measured velocity is approximately .63 mm/ μ sec (Figure 10).

The second series of pictures are shadowgraphs of a much faster event. Sheet explosive, 1.6 mm thick, is sandwiched between two 3.2 mm x 25 mm x 300 mm aluminum plates and detonated. The delay between pictures is 10 μ sec giving a framing rate of 10^5 FPS. The detonation velocity measured from the film is approximately 7 mm/ μ sec (Figure 11).

V. CONCLUSIONS

We have demonstrated the capabilities of the cineradiography system with a sequence of three pictures. Three more channels will be incorporated when additional image intensifier tubes and flash x-ray pulsers are delivered. No problems are anticipated with the additional channels. We feel any reasonable number could be added, possibly 9 to 12 without any degradation in performance.

The system described here offers the following features, many of which are not available on existing cineradiography systems:

- a. High penetration capability through dense materials
- b. High framing rate > (10^5 FPS)
- c. Good resolution
- d. Short exposure time (70 nanoseconds)
- e. Minimal parallax
- f. Immediate film processing
- g. No superimposed images from multiple flashes

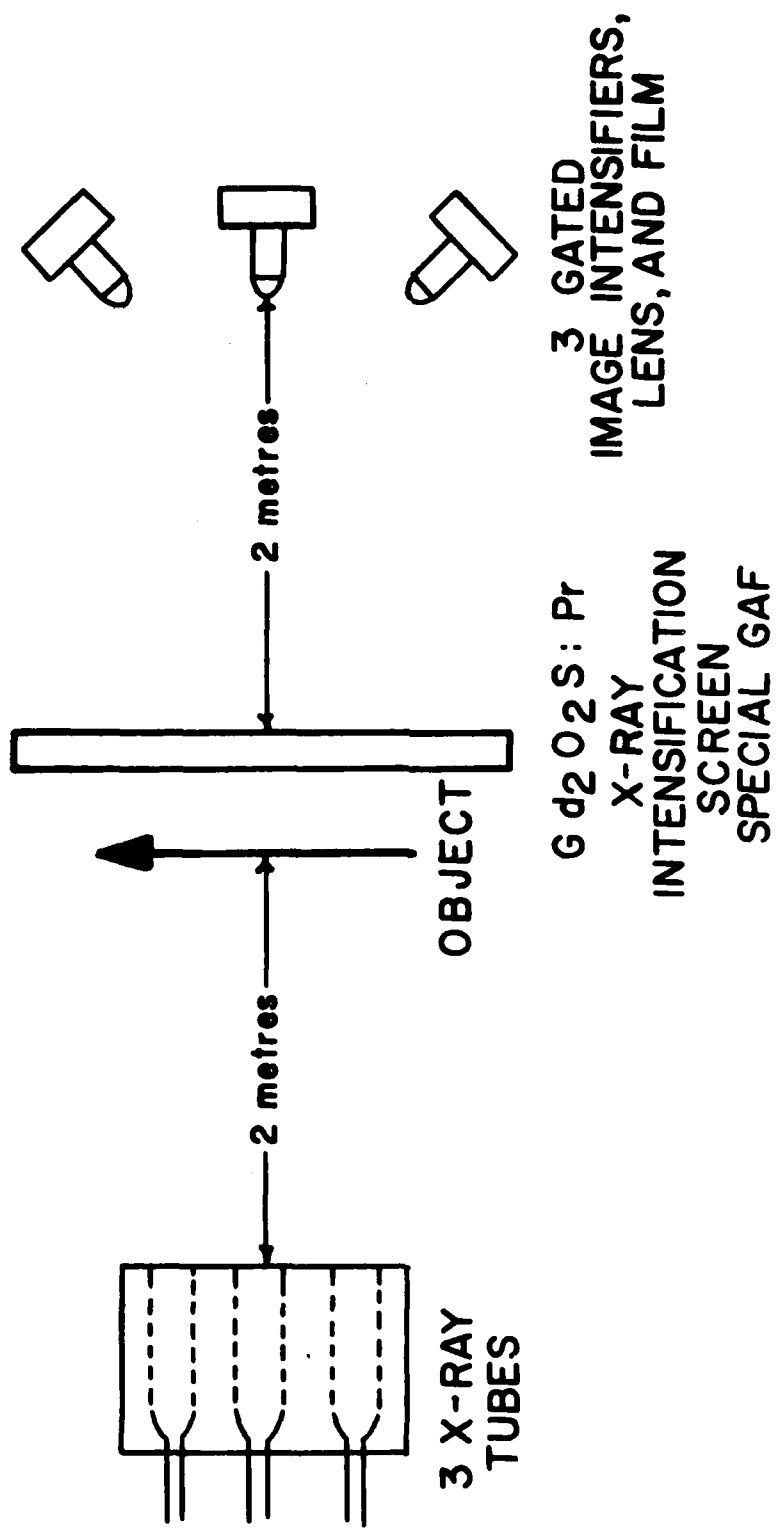
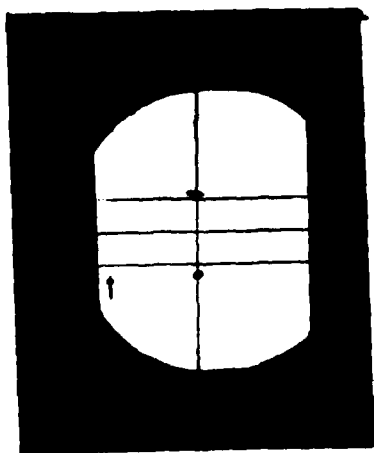
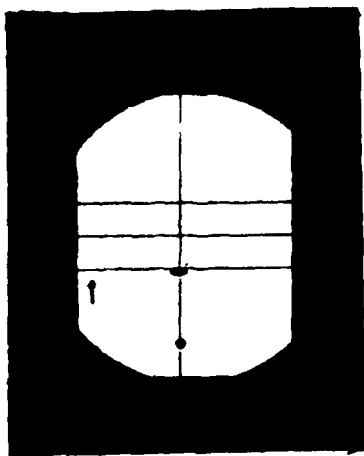


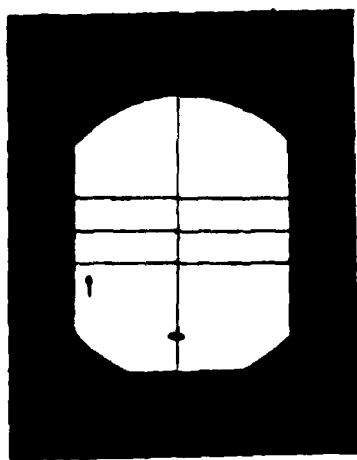
Figure 9: Set-up for Three - Flash Cineradiography.



CHANNEL 3

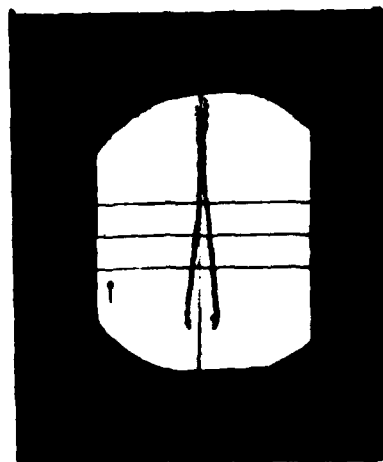


CHANNEL 2

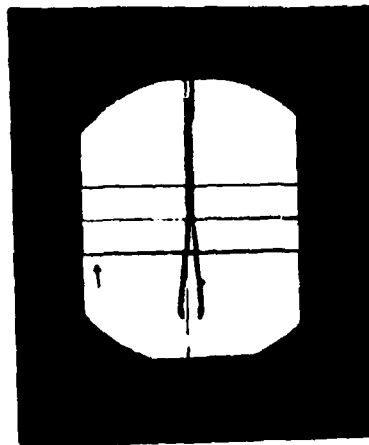


CHANNEL 1

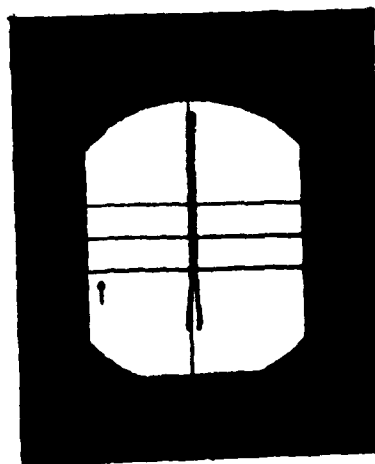
FIGURE 10 - LOW FRAMING RATE SEQUENCE (5700 FPS)



CHANNEL 3



CHANNEL 2



CHANNEL 1

FIGURE 11 - FAST FRAMING RATE SEQUENCE (100,000 FPS)

DISTRIBUTION LIST

<u>No. of Copies</u>	<u>Organization</u>	<u>No. of Copies</u>	<u>Organization</u>
12	Administrator Defense Technical Info Center ATTN: DTIC-DDA Cameron Station Alexandria, VA 22314	1	Commander US Army Communications Rsch and Development Command ATTN: DRSEL-ATDD Fort Monmouth, NJ 07703
1	Commander US Army Materiel Development and Readiness Command ATTN: DRCDMD-ST 5001 Eisenhower Avenue Alexandria, VA 22333	1	Commander US Army Electronics Research and Development Command Technical Support Activity ATTN: DELSD-L Fort Monmouth, NJ 07703
5	Commander US Army Armament Research and Development Command ATTN: DRDAR-TDC DRDAR-TSS DRDAR-LCE, Dr. R.F.Walker DRDAR-LCE, Dr. N. Slagg Dover, NJ 07801	1	Commander US Army Missile Command ATTN: DRSMI-R Redstone Arsenal, AL 35898
1	Commander US Army Armament Materiel Readiness Command ATTN: DR SAR-LEP-L Rock Island, IL 61299	1	Commander US Army Missile Command ATTN: DRSMI-YDL Redstone Arsenal, AL 35898
1	Director US Army ARRADCOM Benet Weapons Laboratory ATTN: DRDAR-LCB-TL Watervliet, NY 12189	1	Commander US Army Missile Command ATTN: DR SMI-RK, Dr. R.G. Rhoades Redstone Arsenal, AL 35898
1	Commander US Army Aviation Research and Development Command ATTN: DRDAV-E 4300 Goodfellow Boulevard St. Louis, MO 63120	1	Commander US Army Tank Automotive Command ATTN: DRSTA-TSL Warren, MI 48090
1	Director US Army Air Mobility Research and Development Laboratory Ames Research Center Moffett Field, CA 94035	1	Director US Army TRADOC Systems Analysis Activity ATTN: ATAA-SL White Sands Missile Range NM 88002
		2	Commandant US Army Infantry School ATTN: ATSH-CD-CSO-OR Fort Benning, GA 31905

DISTRIBUTION LIST (continued)

<u>No. of Copies</u>	<u>Organization</u>	<u>No. of Copies</u>	<u>Organization</u>
1	Commander US Army Research Office ATTN: Chemistry Division P.O. Box 12211 Research Triangle Park, NC 27709	4	Commander Naval Weapons Center ATTN: Dr. L. Smith, Code 3205 Dr. A. Amster, Code 385 Dr. R. Reed, Jr., Code 388 Dr. K. J. Graham, Code 3835 China Lake, CA 93555
1	Office of Naval Research ATTN: Dr. J. Enig, Code 200B 800 N. Quincy Street Arlington, VA 22217	1	Commander Fleet Marine Force, Atlantic ATTN: G-4 (NSAP) Norfolk, VA 23511
1	Commander Naval Sea Systems Command ATTN: Mr. R. Beauregard, SEA 64E Washington, DC 20362	1	AFRPL ATTN: Mr. R. Geisler, Code AFRPL MKPA Edwards AFB, CA 93523
1	Commander Naval Explosive Ordnance Disposal Facility ATTN: Technical Library Code 604 Indian Head, MD 20640	1	Commander Ballistic Missile Defense Advanced Technology Center ATTN: Dr. David C. Sayles P.O. Box 1500 Huntsville, AL 35804
1	Commander Naval Research Lab ATTN: Code 6100 Washington, DC 20375	1	Director Lawrence Livermore National Lab P.O. Box 800 ATTN: Dr. M. Finger Livermore, CA 94550
1	Commander Naval Surface Weapons Center ATTN: Code G13 Dahlgren, VA 22448	1	Director Los Alamos National Lab ATTN: Dr. B. Craig, M Division P.O. Box 1663 Los Alamos, NM 87545
8	Commander Naval Surface Weapons Center ATTN: Mr. L. Roslund, R122 Mr. M. Stosz, R121 Code X211, Lib E. Zimet, R13 R.R. Bernecker, R13 J.W. Forbes, R13 S.J. Jacobs, R10 K. Kim, R13 Silver Spring, MD 20910	1	Schlumberger Well Services ATTN: Dr. C. Aseltine 5000 Gulf Freeway Houston, TX 77023

DISTRIBUTION LIST (continued)

<u>No. of Copies</u>	<u>Organization</u>
1	Hewlett-Packard McMinnville Division ATTN: Dr. Francis M. Charbonnier Engineering Manager 1700 South Baker Street McMinnville, OR 97128
1	ITT Electro Optics Div ATTN: Mr. John Ralph 3700 E. Pontiac Street Ft Wayne, IN 46803
1	MCI Optonix, Inc. ATTN: Mr. John DaForno Assistant Plant Manager Hanover Avenue & Horsehill Road P.O. Box 1 Cedar Krolls, NJ 07927
1	Physic Applications, Inc. ATTN: Mr. Hallock Swift 800 Britton Road Dayton, OH 45429

Aberdeen Proving Ground

Dir, USAMSAA
ATTN: DRXY-D
DRXY-MP, H. Cohen
Cdr, USATECOM
ATTN: DRSTE-TO-F
Dir, USACSL, Bldg 3516, EA
ATTN: DRDAR-CLB-PA
DRDAR-CLN
DRDAR-CLJ-L

USER EVALUATION OF REPORT

Please take a few minutes to answer the questions below; tear out this sheet, fold as indicated, staple or tape closed, and place in the mail. Your comments will provide us with information for improving future reports.

1. BRL Report Number _____

2. Does this report satisfy a need? (Comment on purpose, related project, or other area of interest for which report will be used.)

3. How, specifically, is the report being used? (Information source, design data or procedure, management procedure, source of ideas, etc.) _____

4. Has the information in this report led to any quantitative savings as far as man-hours/contract dollars saved, operating costs avoided, efficiencies achieved, etc.? If so, please elaborate.

5. General Comments (Indicate what you think should be changed to make this report and future reports of this type more responsive to your needs, more usable, improve readability, etc.) _____

6. If you would like to be contacted by the personnel who prepared this report to raise specific questions or discuss the topic, please fill in the following information.

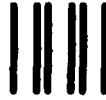
Name: _____

Telephone Number: _____

Organization Address: _____

FOLD HERE

Director
US Army Ballistic Research Laboratory
ATTN: DRDAR-BLA-S
Aberdeen Proving Ground, MD 21005



NO POSTAGE
NECESSARY
IF MAILED
IN THE
UNITED STATES

OFFICIAL BUSINESS
PENALTY FOR PRIVATE USE. \$300

BUSINESS REPLY MAIL
FIRST CLASS PERMIT NO 12062 WASHINGTON, DC
POSTAGE WILL BE PAID BY DEPARTMENT OF THE ARMY



Director
US Army Ballistic Research Laboratory
ATTN: DRDAR-BLA-S
Aberdeen Proving Ground, MD 21005

FOLD HERE