

AD-A094 542

INDIANA UNIV AT BLOOMINGTON DEPT OF CHEMISTRY  
POWER STABILIZATION METHOD FOR A SYNCHRONOUSLY PUMPED DYE LASER--ETC(U)  
JAN 81 R E RUSSO, R WIGTNELL, G M HIEFTJE

F/6 20/5

N00014-76-C-0838

NL

UNCLASSIFIED

1 of 1  
AD-A  
094572



END  
DATE  
FILMED  
2-81  
DTIC

UNCLASSIFIED

SECURITY CLASSIFICATION OF THIS PAGE (When Data Entered)

AD A094542

REPORT DOCUMENTATION PAGE		READ INSTRUCTIONS BEFORE COMPLETING FORM
1. REPORT NUMBER THIRTY-THREE	2. GOVT ACCESSION NO. AD A094542	3. RECIPIENT'S CATALOG NUMBER
4. TITLE (and Subtitle) Power Stabilization Method for A Synchronously Pumped Dye Laser System.		5. TYPE OF REPORT & PERIOD COVERED Interim Technical Report
7. AUTHOR(s) R. E./Russo, R. Withnell, and G. M./Hieftje		6. PERFORMING ORG. REPORT NUMBER 47
9. PERFORMING ORGANIZATION NAME AND ADDRESS Department of Chemistry Indiana University Bloomington, Indiana 47405		8. CONTRACT OR GRANT NUMBER(s) N14-76-C-0838
11. CONTROLLING OFFICE NAME AND ADDRESS Office of Naval Research Washington, D.C.		10. PROGRAM ELEMENT, PROJECT, TASK AREA & WORK UNIT NUMBERS NR 51-622
14. MONITORING AGENCY NAME & ADDRESS (if different from Controlling Office)		12. REPORT DATE January 28, 1981
<b>LEVEL</b>		13. NUMBER OF PAGES 7
		15. SECURITY CLASS. (of this report) UNCLASSIFIED
16. DISTRIBUTION STATEMENT (of this report) Approved for public release; distribution unlimited		
17. DISTRIBUTION STATEMENT (of the abstract entered in Block 20, if different from Report)		
18. SUPPLEMENTARY NOTES Prepared for publication in REVIEW OF SCIENTIFIC INSTRUMENTS		
19. KEY WORDS (Continue on reverse side if necessary and identify by block number) dye laser tunable laser power stabilization light regulation laser regulation		
20. ABSTRACT (Continue on reverse side if necessary and identify by block number) The average power stability of the synchronously pumped dye laser can be improved by a factor of more than 5 by altering the optical feedback stabilization circuitry of the conventional laser system. Noise fluctuations in dye laser output power which normally occur are largely eliminated by changes in the pumping power of the ion laser. The slight loss in dye laser output power which is incurred by the beam splitter (cf. Fig. 1) is largely offset by an increase in available ion laser power.		

SELECTED  
FEB 4 1981  
C

DBC FILE COPY

DD FORM 1 JAN 73 1473

EDITION OF 1 NOV 65 IS OBSOLETE  
S/N 0102-014-6601

UNCLASSIFIED

SECURITY CLASSIFICATION OF THIS PAGE (When Data Entered)

81 2 186

OFFICE OF NAVAL RESEARCH

Contract N14-76-C-0838

Task No. NR 051-622

TECHNICAL REPORT NO. 33

POWER STABILIZATION METHOD FOR A  
SYNCHRONOUSLY PUMPED DYE LASER SYSTEM

by

R. E. Russo, R. Withnell, and G. M. Hieftje

Prepared for Publication

in

REVIEW OF SCIENTIFIC INSTRUMENTS

Indiana University

Department of Chemistry

Bloomington, Indiana 47405

January 28, 1981

Reproduction in whole or in part is permitted for  
any purpose of the United States Government

Approved for Public Release; Distribution Unlimited

The mode-locked, synchronously pumped dye laser has become widely used as a tunable light source for picosecond spectroscopy (1-4). It is capable of producing transform-limited pulses as short as 0.3 ps (5), and offers better reliability and tunability than other sources of picosecond and sub-picosecond pulses (6,7). The early problems associated with this source (e.g. temperature and modulation stability) have been practically eliminated through careful environmental control and proper component selection (8).

In our laboratory, we employ such a laser to examine subnanosecond fluorescence lifetimes of atoms in closed vapor cells and in analytical flames and plasmas. Unfortunately, in these applications power variations in the dye laser output (approximately 5%) have been intolerably large. This manuscript describes a convenient opto-electronic feedback system which can improve the laser's power stability to better than 1%, an improvement of greater than five-fold over the commercial system. Conveniently, the optical feedback network configured for our particular system (Spectra-Physics Model 171-06 argon-ion laser with model 375/341 synchronously pumped dye laser) can be fashioned from components normally supplied to stabilize the argon laser. For such a system, it is necessary only to remove from the ion laser cavity the photodiode ordinarily used for feedback stabilization and rearrange it to monitor instead output power from the dye laser. Feedback control to the ion laser power then compensates for instabilities which would otherwise exist at the dye laser output.

The experimental arrangement used in our laboratory to stabilize the synchronously pumped dye laser is shown in Figure 1. In this arrange-

ment, the photocell ordinarily used to stabilize the argon-ion laser power in "light control" mode is detached from its mount and affixed to a stand which allows it to view a portion of the dye laser output beam. The feedback stabilization circuitry in the ion laser then monitors the dye laser power and compensates for any variations in it by altering ion laser current. In this way, 0.8% (rms) stability in the dye laser output power has been achieved. Slight losses in usable dye laser power incurred by the beam splitter in (cf Fig. 1) this approach are largely compensated by a 2% increase in available pump power as a result of removing the photo cell from the ion laser beam.

To achieve the greatest stability in dye laser output, a variable neutral density filter is placed in the monitored beam path to reduce the power level reaching the feedback photocell. In this way, the most sensitive scale (highest gain) in the ion laser feedback system can be employed. Of course, when this approach is used, the scale reading on the integral power meter usually used to monitor ion laser power level becomes inaccurate and serves only as a relative indication of dye laser output power. Consequently, we employ an independent power meter (Model 36-001 disc calorimeter with Model 36-2001 power indicator, Scientech, Inc., Boulder, CO) to record power level and stability in either the ion or dye laser.

When the feedback-stabilized dye laser is initially configured, it is important to optimize laser output power and pulse stability in the open-loop (current control) mode before the optical feedback (light-control) is implemented. In the feedback configuration ion laser extinction or

substantial power changes in dye laser output caused by dye jet fluctuations can result in large excursions in feedback-controlled ion laser current. Of course, large excursions from the command value might drive the ion laser to its maximum, but for modern laser designs, such changes are not damaging or inconvenient because of built-in protection circuitry.

It is useful to mention a problem which sometimes exists with the feedback network used in the commercial argon-ion laser employed in the present study. For this laser, a beamsplitter in the output mirror housing directs two diverging beams onto the photocell used for power stabilization. Because of the diameter of the beams and their angle of divergence, each strikes a different portion of the photocell, although neither beam is intercepted completely. Therefore, vibrations in the laser or thermal changes in the photocell mount cause the light to move slightly on the active area of the detector and produce an apparent change in the ion laser power. As a result, the plasma tube current is improperly altered, resulting in instability of the true laser output. In our system this problem is overcome by mounting the light control photocell outside the ion laser and directing only one beam onto the center portion of the photocell active area. As a result, the stability specification of the manufacturer could be readily achieved.

In conclusion, the average power stability of the synchronously pumped dye laser can be improved by a factor of more than 5 by altering the optical feedback stabilization circuitry of the conventional laser system. Noise fluctuations in dye laser output power which normally occur are largely eliminated by changes in the pumping power of the ion laser.

Accession For	NTIS GRA&I
Unannounced	DTIC TAB
Justification	
By	
Distribution/	
Availability	
Specified	

The slight loss in dye laser output power which is incurred by the beam-splitter (cf Fig. 1) is largely offset by an increase in available ion laser power.

ACKNOWLEDGEMENT

Supported in part by the National Institutes of Health through grant GM 24473, the National Science Foundation, and the Office of Naval Research.

LITERATURE CITED

1. R. K. Jain, J. P. Heritage, Appl. Phys. Lett., 32, 41 (1978).
2. J. P. Heritage, R. K. Jain, Appl. Phys. Lett., 32, 101 (1978).
3. V. J. Koester and R. M. Sowben, Rev. Sci. Instrum., 49, 1186 (1978).
4. N. J. Frigo, T. Daly, and H. Mahr, IEEE J. Quantum Electron. QE-13, 101 (1977).
5. J. Kuhl, H. Klingenberg, and D. von der Kinde, Appl. Phys. 18, 279 (1979).
6. J. M. Harris, R. W. Chrisman, and F. E. Lytle, Appl. Phys. Lett., 26, 16 (1975).
7. C. K. Chan and S. O. Sari, Appl. Phys. Lett., 25, 403 (1974).
8. A. I. Ferguson, J. N. Echstein, and T. W. Hansch, J. Appl. Phys., 49, 5389 (1978).



## FIGURE LEGEND

Figure 1: Experimental design for stabilization of synchronously-pumped dye laser power.

PM -- power meter

PD -- photodetector

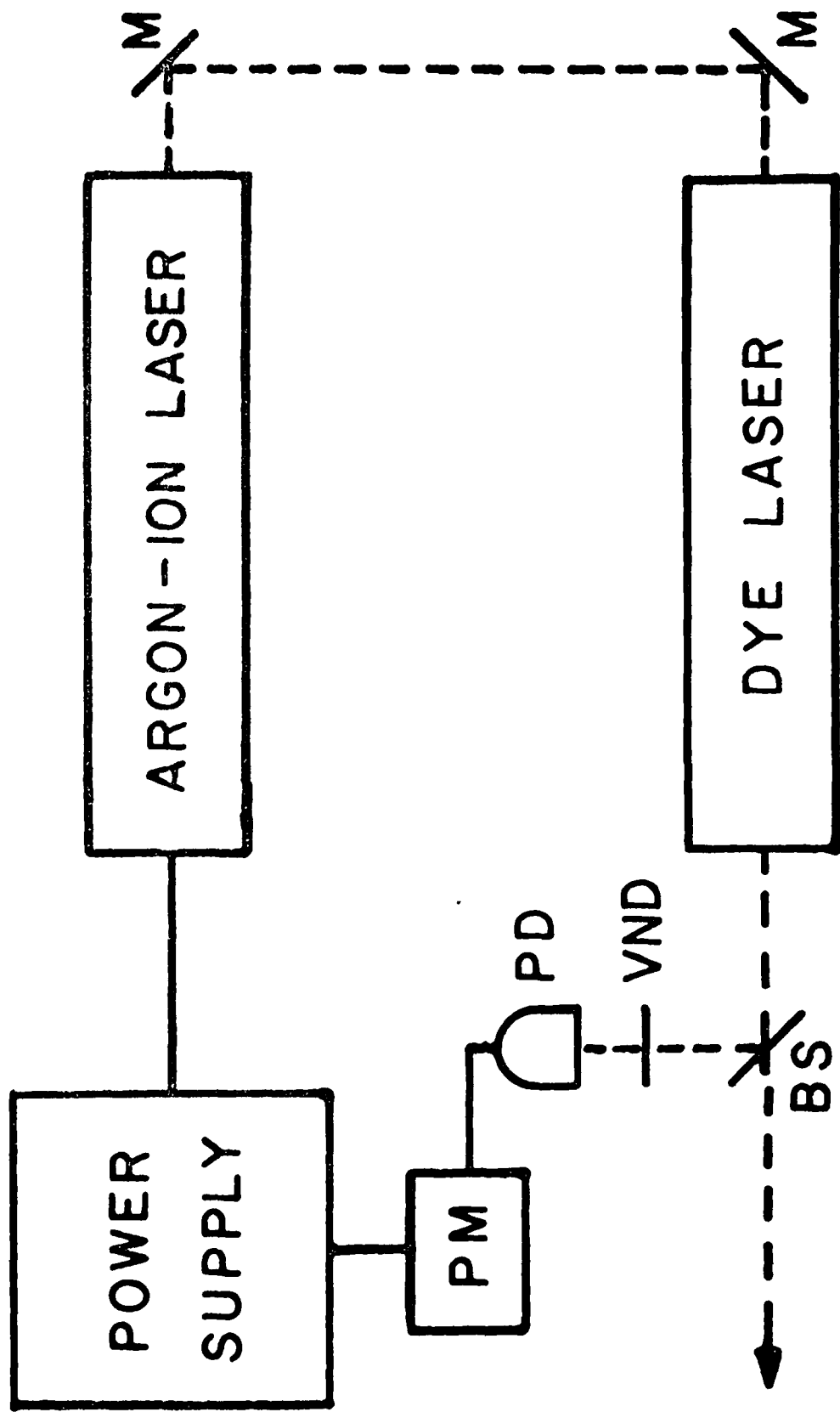
VND -- variable neutral density filter

BS -- beam splitter

M -- mirror

Solid lines (-) electrical connections

Dashed lines (---) laser light



TECHNICAL REPORT DISTRIBUTION LIST, 051C

	<u>No.</u> <u>Copies</u>		<u>No.</u> <u>Copies</u>
Dr. M. S. Denton Department of Chemistry University of Arizona Tucson, Arizona 85721	1	Dr. John Duffin United States Naval Postgraduate School Monterey, California 93940	1
Dr. R. A. Osteryoung Department of Chemistry State University of New York at Buffalo Buffalo, New York 14214	1	<del>Dr. G. M. Hieftje Department of Chemistry Indiana University Bloomington, Indiana 47401</del>	1
Dr. B. R. Kowalski Department of Chemistry University of Washington Seattle, Washington 98105	1	Dr. Victor L. Rehn Naval Weapons Center Code 3813 China Lake, California 93555	1
Dr. S. P. Perone Department of Chemistry Purdue University Lafayette, Indiana 47907	1	Dr. Christie G. Enke Michigan State University Department of Chemistry East Lansing, Michigan 48824	1
Dr. D. L. Venezky Naval Research Laboratory Code 6130 Washington, D.C. 20375	1	Dr. Kent Eisentraut, MBT Air Force Materials Laboratory Wright-Patterson AFB, Ohio 45433	1
Dr. H. Freiser Department of Chemistry University of Arizona Tucson, Arizona 85721		Walter G. Cox, Code 3632 Naval Underwater Systems Center Building 148 Newport, Rhode Island 02840	1
Dr. Fred Saalfeld Naval Research Laboratory Code 6110 Washington, D.C. 20375	1	Professor Isiah M. Warner Texas A&M University Department of Chemistry College Station, Texas 77840	1
Dr. H. Chernoff Department of Mathematics Massachusetts Institute of Technology Cambridge, Massachusetts 02139	1	Professor George H. Morrison Cornell University Department of Chemistry Ithaca, New York 14853	1
Dr. K. Wilson Department of Chemistry University of California, San Diego La Jolla, California	1	Dr. Rudolph J. Marcus Office of Naval Research Scientific Liaison Group American Embassy APO San Francisco 96503	1
Dr. A. Zirino Naval Undersea Center San Diego, California 92132	1	Mr. James Kelley DTNSRDC Code 2803 Annapolis, Maryland 21402	1

TECHNICAL REPORT DISTRIBUTION LIST, GEN

	<u>No. Copies</u>		<u>No. Copies</u>
Office of Naval Research Attn: Code 472 800 North Quincy Street Arlington, Virginia 22217	2	U.S. Army Research Office Attn: CER-AA-IP P.O. Box 1211 Research Triangle Park, N.C. 27709	1
ONR Branch Office Attn: Dr. George Sandoz 530 S. Clark Street Chicago, Illinois 60605	1	Naval Ocean Systems Center Attn: Mr. Joe McCartney San Diego, California 92152	1
ONR Area Office Attn: Scientific Dept. 715 Broadway New York, New York 10003	1	Naval Weapons Center Attn: Dr. A. B. Amster, Chemistry Division China Lake, California 93555	1
ONR Western Regional Office 1030 East Green Street Pasadena, California 91106	1	Naval Civil Engineering Laboratory Attn: Dr. R. W. Drisko Port Hueneme, California 93401	1
ONR Eastern/Central Regional Office Attn: Dr. L. H. Peebles Building 114, Section D 666 Summer Street Boston, Massachusetts 02210	1	Department of Physics & Chemistry Naval Postgraduate School Monterey, California 93940	1
Director, Naval Research Laboratory Attn: Code 6100 Washington, D.C. 20390	1	Dr. A. L. Slafkosky Scientific Advisor Commandant of the Marine Corps (Code RD-1) Washington, D.C. 20380	1
The Assistant Secretary of the Navy (RE&S) Department of the Navy Room 4F736, Pentagon Washington, D.C. 20350	1	Office of Naval Research Attn: Dr. Richard S. Miller 800 N. Quincy Street Arlington, Virginia 22217	1
Commander, Naval Air Systems Command Attn: Code 3100 (H. Rosenwasser) Department of the Navy Washington, D.C. 20360	1	Naval Ship Research and Development Center Attn: Dr. G. Bosmajian, Applied Chemistry Division Annapolis, Maryland 21401	1
Defense Technical Information Center Building 5, Cameron Station Alexandria, Virginia 22314	12	Naval Ocean Systems Center Attn: Dr. S. Yamamoto, Marine Sciences Division San Diego, California 91232	1
Dr. Fred Walfield Chemistry Division, Code 6100 Naval Research Laboratory Washington, D.C. 20375	1	Mr. John Boyle Materials Branch Naval Ship Engineering Center Philadelphia, Pennsylvania 19112	1

FILMED

—

8