

AD-A060 588

NAVAL RESEARCH LAB WASHINGTON D C

F/G 18/1

A CONCEPTUAL DESIGN FOR AN IMPLODING-LINER FUSION REACTOR (LINU--ETC(U)

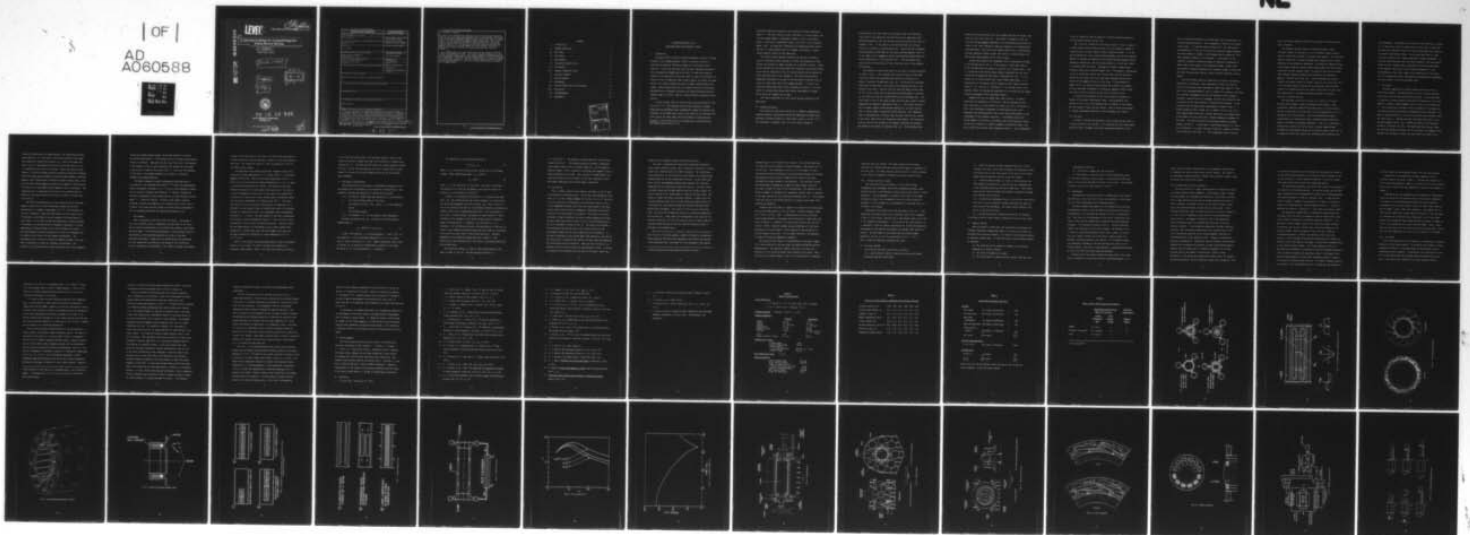
SEP 78 A E ROBSON

UNCLASSIFIED

NRL-MR-3861

NL

| OF |  
AD  
A060588



END  
DATE  
FILMED  
01 -79  
DDC

AD A 0 6 0 5 8 8

DDC FILE COPY

# LEVEL II

12 NW 14  
NRL Memorandum Report 3861

## A Conceptual Design for an Imploding-Liner Fusion Reactor (Linus)

10 A.E. Robson

Plasma Physics Division

9 - interim rept.

11 September 1978

12 55p.

DDC  
RECEIVED  
NOV 1 1978  
F



78 10 16 012

NAVAL RESEARCH LABORATORY  
Washington, D.C.

Approved for public release; distribution unlimited.

251 950

Handwritten signature

SECURITY CLASSIFICATION OF THIS PAGE (When Data Entered)

REPORT DOCUMENTATION PAGE		READ INSTRUCTIONS BEFORE COMPLETING FORM
1. REPORT NUMBER NRL Memorandum Report 3861	2. GOVT ACCESSION NO.	3. RECIPIENT'S CATALOG NUMBER
4. TITLE (and Subtitle) A Conceptual Design for an Imploding-Liner Fusion Reactor (Linus)		5. TYPE OF REPORT & PERIOD COVERED Interim report on a continuing NRL problem.
7. AUTHOR(s) A. E. Robson		6. PERFORMING ORG. REPORT NUMBER
9. PERFORMING ORGANIZATION NAME AND ADDRESS Naval Research Laboratory Washington, DC 20375		8. CONTRACT OR GRANT NUMBER(s)
11. CONTROLLING OFFICE NAME AND ADDRESS Office of Naval Research Arlington, VA 22217		10. PROGRAM ELEMENT, PROJECT, TASK AREA & WORK UNIT NUMBERS NRL Problem H02-65
14. MONITORING AGENCY NAME & ADDRESS (if different from Controlling Office)		12. REPORT DATE September 1978
		13. NUMBER OF PAGES 53
		15. SECURITY CLASS. (of this report) UNCLASSIFIED
		15a. DECLASSIFICATION/DOWNGRADING SCHEDULE
16. DISTRIBUTION STATEMENT (of this Report)  Approved for public release; distribution unlimited		
17. DISTRIBUTION STATEMENT (of the abstract entered in Block 20, if different from Report)		
18. SUPPLEMENTARY NOTES		
19. KEY WORDS (Continue on reverse side if necessary and identify by block number)  Fusion reactor		
20. ABSTRACT (Continue on reverse side if necessary and identify by block number)  This report describes the conceptual design of a fusion reactor based on the dynamic compression of a magnetically-confined DT plasma by an imploding liquid lead-lithium liner. Stable implosion-expansion cycles are achieved by rotating the liner, and imploding it by a means of a rigid mechanism driven by high pressure helium (the 'captive liner' principle). At peak compression the magnetic field is 0.5 MG and the liner is 1m thick, which is enough to absorb the fusion neutrons. The energy of the trapped $\alpha$ -particles is directly cont'd		

DD FORM 1 JAN 73 1473

EDITION OF 1 NOV 65 IS OBSOLETE 1  
S/N 0102-014-6601

SECURITY CLASSIFICATION OF THIS PAGE (When Data Entered)

73 10 16 012

alpha  
next page

## 20. Abstract. (cont'd)

recovered in the expansion and compensates for the resistive and mechanical losses in the liner, making the mechanical cycle self-sustaining. The reactor works rather like an internal combustion engine, except that there is no shaft output: all the nuclear energy appears in the liner as heat. The initial plasma is created by means of a pulsed rotating relativistic electron beam injected from one end. The beam sets up both the plasma and the confining magnetic field, and no external magnet coils are required. The reactor is repetitively cycled at 1.67 Hz for a gross electrical power output of 1000 MW.

This concept leads to a rather simple fusion reactor because of the many functions performed by the liner. It serves as the main confining coil, the tritium breeding blanket, and the heat transfer medium; it heats the plasma by direct mechanical compression, and the inside surface is a 'first wall' which is reformed after each cycle. This last feature allows the mean wall loading and the engineering power density to be 3-5 times greater than in a steady state Tokamak reactor.

CONTENTS

I. INTRODUCTION . . . . . 1

II. GENERAL PRINCIPLES . . . . . 2

III. THE LINER . . . . . 5

IV. THE PLASMA . . . . . 8

V. HEAT REMOVAL . . . . . 10

VI. THE REACTOR WORKING POINT . . . . . 12

VII. THE REACTOR . . . . . 14

VIII. THERMAL CONVERSION SYSTEM . . . . . 17

IX. ANCILLARY SYSTEMS . . . . . 17

X. REACTOR STARTUP . . . . . 18

XI. MAINTENANCE . . . . . 19

XII. SCOPING STUDIES AND COST ESTIMATES . . . . . 20

XIII. DISCUSSION . . . . . 22

XIV. ACKNOWLEDGMENTS . . . . . 26

XV. REFERENCES . . . . . 26

ACCESSION for	
NTIS	White Section <input checked="" type="checkbox"/>
ODC	Buff Section <input type="checkbox"/>
UNANNOUNCED	<input type="checkbox"/>
CLASSIFICATION	
BY	
DISTRIBUTION/AVAILABILITY CODES	
SP. CIAL	
A	

A CONCEPTUAL DESIGN FOR AN  
IMPLoding-LINER FUSION REACTOR (LINUS)

I. Introduction

The major effort in fusion research throughout the world is being devoted to the tokamak approach,<sup>1</sup> which is certainly closest to achieving the physical conditions needed for a controlled fusion reaction. In the past few years there has been a growing realization that, although the tokamak may be the first to reach the technical objective of producing net electrical power, it may prove difficult to develop it into a commercial power source owing to its rather low power density, its complex construction and its highly sophisticated technology. These concerns have led to a renewed interest in alternative approaches which, although at present less highly developed than the tokamak, might ultimately lead to a simpler and more economical fusion reactor.

A fusion concept known as Linus has been under development at NRL since 1972.<sup>2,3,4</sup> This approach utilizes the principle of plasma compression by imploding liners pioneered by Linhart<sup>5</sup> at Frascati and Alikhanov<sup>6</sup> in the USSR, except that in the course of its evolution the Linus concept has moved away from the extremes of plasma pressure proposed by those workers and is now based upon a non-destructive,

Note: Manuscript submitted August 21, 1978.

reversible compression-expansion cycle produced by simple mechanical means.<sup>9,10</sup> The Linus reactor is best described as a fusion engine, and is unique among magnetic confinement schemes in that it has moving parts, a continuously regenerated liquid 'first wall', and no external magnet coils. The mean wall loading and the engineering power density are both 3-5 times greater than in a tokamak, resulting in a significantly smaller reactor for the same power.

The Electric Power Research Institute has recently initiated a study of alternative fusion concepts, in which the proponents of each concept are required to submit a design for a 1000 MW(e) reactor. These reactor designs will be incorporated into conceptual power plant designs by the Bechtel Corporation, who will provide details of the balance of plant, and make overall cost estimates. This study should allow a comparative evaluation to be made of the alternative concepts, both in relation to each other and to the tokamak approach. In view of the relatively undeveloped state of most alternative concepts, it is also likely to indicate those areas where further development is needed before any final judgment can be made.

This report describes the Linus reactor design prepared for the EPRI study.

## II. General Principles

The principle of the Linus reactor is to compress a magnetically confined plasma to high density and fusion temperature by means of an imploding, rotating cylinder of liquid metal, known as a liner.<sup>7,8,9,10</sup> The compression is dynamic, that is to say, kinetic energy is

accumulated by the liner from a driving source over the relatively long period of the implosion, and delivered to the compressed field-and-plasma payload in the much shorter period during which the liner is brought to rest. In the reactor to be described here the driving source is a reservoir of high-pressure gas. Using large but attainable driving pressures (2000-4000 psi) the peak confining magnetic field is in the range 0.5-0.7 megagauss, and the corresponding plasma density at fusion temperature is a few times  $10^{17} \text{ cm}^{-3}$ . The containment time required for net fusion yield is then relatively short (a few hundred microseconds).

The sequence of events that makes up one cycle of reactor operation is shown in Fig. 1. The rotating liner is set up inside a stationary cylindrical vessel and compressed gas (helium) is contained in a number of adjacent storage tanks (Fig. 1a). To initiate the implosion, valves open to admit gas to the vessel, thus applying pressure to the outside of the liner. Shortly after the liner has begun to move (Fig. 1b) the initial plasma and its associated confining magnetic field are set up inside the liner by a method which will be described later. The liner comes to rest on the dense plasma, which has been raised to fusion temperature by adiabatic compression (Fig. 1c). The nuclear reaction rate is sharply peaked around maximum compression, at which time the liner is thick enough to absorb the fusion neutrons. The compressed state is maintained for a limited time (the dwell time) by the inertia of the liner, after which the plasma and liner expand. The  $\alpha$ -particles from the reaction are trapped in the plasma, increasing its pressure and adding to the energy of expansion (Fig. 1d). The expanding liner



pushes the driving gas back into the storage tanks and the valves close until the next cycle (Fig. 1a). The system is designed so that the  $\alpha$ -particle energy exactly compensates for the mechanical and electrical losses in the liner, making the implosion-expansion cycle mechanically self-sustaining. The reactor thus behaves rather like a reciprocating internal combustion engine, except that there is no shaft output; all the nuclear energy appears in the liner as heat.

Because the energy of the expanding liner is efficiently returned to the driving source, the  $Q$  of the reactor is much lower than in fusion systems where the energy is recovered via a thermal cycle. Here  $Q$  is defined as the fusion energy release integrated over one cycle divided by the mechanical work done in imploding the liner. It is a feature of all liner systems that, other things being equal,  $Q$  is proportional to the radius, and the energy per unit length is proportional to  $Q^2$ . The low  $Q$  (typically  $\sim 2$ ) of a Linus reactor is an important factor in keeping the dimensions of the system and the energy storage requirements within acceptable limits.

Compared with the Los Alamos fast liner concept,<sup>11</sup> in which a solid liner is imploded at  $\sim 10^8$  cm.sec<sup>-1</sup> and is destroyed at each shot, the liner in a Linus reactor is rather slow ( $10^3 \sim 10^4$  cm.sec<sup>-1</sup>). This is the inevitable consequence of requiring the cycle to be reversible and non-destructive, and it puts severe requirements on the containment of the plasma at the ends. A confinement system with closed magnetic field lines is necessary, and the configuration chosen for the Linus reactor is a highly elongated toroidal belt-pinch, with both poloidal and toroidal field components (Fig. 2). The configuration

is set up inside the liner by means of a pulsed rotating relativistic electron beam injected from one end.

The principal attraction of the Linus concept is that it leads to a rather simple fusion reactor because the liner performs a number of functions which in other reactors require separate systems. It is the main confining coil, the tritium breeding blanket, and the heat transfer medium; it provides the majority of the plasma heating energy by direct mechanical compression, and the inside surface is a 'first wall' which is reformed after each cycle. Although the plasma is magnetically confined, there are no external magnet coils. The magnetic configuration is set up inside the liner by the electron beam, and the implosion-expansion cycle takes place in a time short compared with the penetration of the magnetic field into the liner. The elimination of magnet coils is an obvious simplification and economy, but probably the most important consequence of keeping all magnetic fields inside the liner is that the reactor may be built of ferritic steel.

To realize the potential of the Linus concept, development is needed in three main technological areas: the manipulation and implosion of the liner, the formation and confinement of the plasma, and the removal of heat from the reactor. None of these areas appears to contain insuperable obstacles to the development of a reactor.

### III. The Liner

In order to achieve the efficient, direct energy recovery that is a central feature of the concept, it is essential that the liner motion should be stable throughout the entire compression-expansion cycle.

This is achieved by making it of liquid metal, and constraining it in a rigid rotating structure. This arrangement is known as the captive liquid liner.<sup>7</sup> It has been shown theoretically<sup>12</sup> and demonstrated experimentally,<sup>9,13</sup> that if the liner has sufficient angular momentum the inner surface is stable to the Rayleigh-Taylor instability, which would otherwise destroy it at turnaround. A consequence of the stability criterion is that the energy in rotation at turnaround is about equal to the energy in the compressed plasma. Owing to the conservation of angular momentum this rotational energy is drawn from the liner driving source, and the initial rotation required is quite modest.

The outer surface cannot be stabilized by rotation, and must be mechanically constrained. Some experiments in which the liner is driven by pistons have been performed on small-scale models,<sup>9,14</sup> but none of the arrangements used so far is suitable for a reactor, for which the important requirements are that the diameter of the rotating mechanism should be kept to a minimum, and that there should be free circulation of the liner material to facilitate heat removal. A new mechanism which satisfies these requirements is shown in Fig. 3. A quasi-cylindrical shell is made up of a number (in this case 12) of long, angled beams which form a polygon whose sides can change length as the beams slide over each other, thereby changing the diameter of the shell. The sliding surfaces are maintained parallel by guide fingers, and the ap of each beam is maintained parallel to a line on the circumference of a rigid rotating cylinder by a number of evenly-spaced connecting rods (Fig. 4). This arrangement ensures that the

axis of the shell remains coincident with the axis of rotation as the shell collapses.

The structure rotates inside a stationary pressure vessel. Initially (Figure 3a) the shell is at its outermost radial position and the liquid metal occupies a relatively thin annulus. The rotational speed is sufficient to provide a smooth inner surface, and to ensure stability of the surface at turnaround. To initiate an implosion cycle, valves spaced round the periphery admit high pressure gas from storage reservoirs into the pressure vessel, driving the shell and the liquid metal radially inward to compress the plasma and its associated magnetic confining field (Fig. 3b). After turnaround, the process reverses and energy returns via kinetic energy of the pistons and liner to the internal energy of the gas in the reservoirs; when the shell reaches its outermost position, the valves close until the next cycle. The liquid metal is circulated through the system in the axial direction to remove the heat.

The main body of the liner consists of a mixture of lead and lithium, with probably a small percentage of other metals. Some preliminary studies by Dudziak<sup>28</sup> have shown that a 1 m thick liner of 50% PbLi, 42% Pb and 8% Cd would give a tritium breeding ratio of 1.15 and absorb 92% of the neutrons. This work established the basic effectiveness of a lead-lithium liner, although further studies are needed to determine the optimum composition. The (n, 2n) reactions in lead provide a surplus of neutrons which is almost embarrassing. Although the liner absorbs almost all the neutron energy, there will be a leakage flux which may require more shielding than provided by the

liner mechanism. Lead appears to be the best liner material on account of its high density and low compressibility which leads to high peak pressures and long dwell times (the lithium being added only to absorb the neutrons and breed tritium). On the other hand lead is a poor electrical conductor and a highly undesirable plasma contaminant. It therefore seems necessary that the inside surface of the liner should consist of pure lithium, both to minimize the resistive penetration of the magnetic field and to reduce plasma contamination. This stratification of the liner leads to the complication of two liquid circuits through the reactor, although this arrangement has advantages for heat removal, as will be discussed later.

#### IV. The Plasma

Creating a magnetically confined plasma inside the liner is a non-trivial problem. The method chosen is to use a pulsed rotating relativistic electron beam injected from one end. The rotating beam is created by a special annular diode which incorporates an iron-cored magnet to produce a radial magnetic field in front of the anode (Fig. 5). The interaction of the axial velocity component of the beam with the radial field gives the beam its azimuthal velocity component. The beam is injected parallel to the axis into neutral gas contained within the liner (Fig. 6). Because the total flux within the liner is zero, the axial magnetic field ( $B_z$ ) outside the beam is in the opposite direction to the field on axis. The beam breaks down the gas, heats the resulting plasma, and passes out of the system. The magnetic field carried in by the beam is frozen into the plasma on account of the

conductivity produced by the beam heating. The conducting end walls ensure that the  $B_z$  field lines close round the ends of the plasma. The plasma also contains the frozen-in  $B_\theta$  field of the beam; the ratio  $B_z/B_\theta$  is determined by the pitch of the beam, which in turn is controlled by the field in the diode. Unlike the earlier Astron concept,<sup>15</sup> in which the beam electrons themselves create the confining field, the beam passes through the system and leaves behind a reversed magnetic field configuration sustained by plasma currents alone. Note that the beam produces both the plasma and the magnetic field required to confine it; no externally-applied magnetic field is necessary. The plasma pressure is supported by the field of the currents that are induced on the inside surface of the liner in order to conserve the flux within it.

The process described here is a very effective way of conveying magnetic energy into a closed conducting cylinder and has been demonstrated in a number of experiments.<sup>16,17,18</sup> The efficiency of creation of magnetic energy from beam energy can be as high as 50%.<sup>19</sup> The heating of the plasma during the passage of the beam however is quite small ( $\sim 10$  eV) and to reach the temperature of several hundred eV necessary as a starting point for adiabatic compression to fusion temperatures, further heating of the initial plasma is necessary. If the beam produces an annular plasma which is very thin compared with the radius of the liner, this will happen spontaneously. The configuration will contract to reduce its magnetic energy, in the way that a solenoidal coil moves to increase its inductance. The contraction will generate axial shock waves which will convert magnetic

energy into plasma thermal energy, as has been observed in certain theta-pinch experiments.<sup>20</sup> The contraction will stop when axial pressure balance is achieved. Compression by the liner will result in elongation of the plasma, so that at peak compression the plasma will once again occupy the full length of the system (Fig. 7). Note that the proximity of the liner to the plasma boundary at all times is a favorable condition for plasma stability.

The highly elongated toroidal configuration described here is very similar to the Garching belt-pinch,<sup>21,22,23</sup> which has demonstrated stable confinement of plasma at  $\langle \beta \rangle = 0.6$  for a time apparently limited only by classical transport and radiation.<sup>24</sup> Similar, although not identical configurations have already been set up with rotating electron beams.<sup>16,17</sup> Numerical studies<sup>25</sup> of particle and energy transport including classical and anomalous effects predict that, on the scale of a reactor, the losses from the plasma in the belt-pinch configuration will be insignificant during the compression-expansion cycle.

#### V. Heat Removal

Heat is deposited in the liner from two sources: the energy of the fusion neutrons, which is absorbed in the main body of the liner, and the resistive dissipation of the induced skin currents, which heats the inner layer. This resistive dissipation is the principal source of inefficiency in the implosion-expansion cycle and, as has been previously described, to make the cycle mechanically self-sustaining the lost energy must be replaced by the energy of the  $\alpha$ -particles, directly recovered in the expansion. The  $\alpha$ -particle energy thus appears

as heat in the skin layer of the liner. For each fusion reaction the neutron carries 14.1 MeV and releases a further 4.8 MeV upon capture in the liner. The  $\alpha$ -particle carries 3.5 MeV, accounting for 15.6% of the total nuclear energy.

The imploding liner surface experiences a magnetic pulse which raises the lithium temperature by  $\Delta T \approx 4000B^2$  where  $B$  is the peak magnetic field in MG. Thus if the initial temperature is  $315^\circ\text{C}$  a field of 0.5 MG will raise the surface temperature to  $\sim 1315^\circ\text{C}$ , which is the normal boiling point of lithium. The lithium surface must therefore be swept out of the reactor after each cycle. To avoid an excessive temperature at the outlet of the reactor the surface must be mixed as it leaves with a cooler lithium layer of sufficient depth that the outlet temperature is no greater than  $500^\circ\text{C}$ . This layer then carries 16% of the reactor's heat output; the remaining 84% is absorbed in a much larger volume of lead-lithium, which is circulated through the reactor more slowly, the replacement time corresponding, typically, to  $\sim 3$  cycles. The heat removal is thus best accomplished by having two circuits through the reactor, a 'fast' circuit of pure lithium and a 'slow' circuit of lead-lithium alloy. The fast circuit has the added function of introducing a cool lithium surface which condenses the lithium vapor that fills the chamber after each cycle. The vapor pressure of lithium at an inlet temperature of  $315^\circ\text{C}$  is  $10^{-8}$  Torr.

While in the reactor, the liquid metal needs to have a rotational velocity of  $\sim 15\text{ m}\cdot\text{sec}^{-1}$  in order to satisfy the criterion for rotational stabilization. This is 3-4 times faster than its velocity



in the inlet and outlet pipes; the rotational energy is given to the liquid on entry by a radial-flow pump, and recovered by a turbine upon leaving (Fig. 8). The pump and the turbine are coupled together through the rotor, so that the driving motor has only to supply the net power needed to circulate the liquid through the reactor and the external heat exchangers.

#### VI. The Reactor Working Point

The working point of the reactor is determined principally by the requirement that the mechanical cycle should be self-sustaining. The variables necessary and sufficient to define the system are:

$\rho, c, \eta$  the density, sound speed and resistivity of liner material.

$R$  the initial inside radius of the liner.

$\alpha$  the compression ratio  $R/r_0$ , where  $r_0$  is the compressed radius.

$p$  the driving pressure.

$\langle \beta^2 \rangle$  the average of  $\beta^2$  in the plasma at peak compression.

The basic scaling law for  $Q_p$ , the ratio of nuclear energy to plasma energy is

$$Q_p = R p^{\frac{1}{2}} r_0^{\frac{1}{2}} \langle \beta^2 \rangle F(\alpha, p/\rho c^2) \quad (1)$$

In Fig. 9 the function  $F$  is plotted against  $\alpha$  with  $p/\rho c^2$  as the parameter. It has a pronounced maximum for  $\alpha \sim 10 - 12$ , whose value is rather insensitive to  $p/\rho c^2$ . Higher compression ratios lead to reduced  $Q_p$  on account of compressibility effects in the liner. The value of  $\langle \beta^2 \rangle$  also decreases as  $\alpha$  increases.<sup>27</sup>

The condition for a self-sustaining cycle is

$$0.156 Q_p \geq f_\eta \quad (2)$$

where  $f_\eta$  is the ratio of the resistive energy loss to the plasma energy. Other things being equal,  $f_\eta$  scales as

$$f_\eta \propto \eta^{\frac{1}{2}} R^{-\frac{1}{2}} \quad (3)$$

where  $\eta$  is the resistivity of the liner. Note that in choosing  $\eta$  the heating of the liner by the magnetic pulse must be taken into account (non-linear magnetic diffusion<sup>30</sup>).

Clearly (2) can always be satisfied if  $R$  is greater than some value  $R_m$ . The problem facing the reactor designer is to find values for the system parameters that will minimize  $R_m$ , since a factor of two in this quantity can make all the difference between an attractively compact reactor and an engineering monstrosity. For the purpose of this study, a reactor design code based on a simple model<sup>26,27</sup> which includes all the variables listed above has been used to determine a range of working points. In general,  $R_m$  decreases as  $p$  is increased. For the reference design a driving pressure of 2400 psi was chosen on the somewhat arbitrary grounds that this leads to a thickness of 20 cm for the steel walls of the helium reservoirs. The main parameters of the reference design are given in Table 1. The sensitivity of the working point to the choice of driving pressure will be discussed later.

The trajectory (radius vs. time) of the inside surface of the liner is shown in Fig. 10. The mean implosion velocity is

$4.5 \times 10^3 \text{ cm. sec}^{-1}$ . The plasma is injected when the liner velocity reaches  $500 \text{ cm. sec}^{-1}$ . The plasma heating by adiabatic compression then exceeds plasma losses by thermal conduction, and the magnetic Reynolds number,  $4\pi Rv/\eta$ , is about 15, indicating that magnetic flux is being compressed by the liner. This velocity is reached before the liner has covered 1% of its travel, so the liner compression ratio and plasma compression ratio can be taken as identical.

#### VII. The Reactor

Fig. 11 shows a layout of the reactor, and Figs. 12 and 13 show cross-sections at selected points. The initial inside diameter of the liner is 3.2 m; the outside diameter of the rotor is 4.9 m. The rotor is 12.9 m long and is constructed on the principles shown in Fig. 3. In this embodiment however, the valves are incorporated in the rotor itself, which rotates inside a permanently pressurized vessel which constitutes the main frame of the reactor. The latter is directly connected to eight cylindrical reservoirs placed symmetrically round the main frame which store a total of  $485 \text{ m}^3$  of pressurized helium. The valve mechanism is shown in Fig. 14. The valves are attached to the connecting rods and are held in the closed position by the centrifugal pressure of the liner, amplified by the mechanism. To initiate an implosion, pilot valves admit high pressure to the back of the solid shell, lifting the main valves off their seats and admitting the driving gas from the reservoirs. When the liner returns to its original position the main valves are automatically closed. A suction line removes excess pressure from the back of the shell, which then

remains in its outermost position until the next cycle.

The rotor is supported by liquid metal hydrostatic bearings,\* evenly spaced along its length, and is rotated at 100 rpm by a 72-pole, wound-rotor induction motor of 10,000 horsepower. The liquid metal inlet manifold is at the driving end, and contains two concentrically mounted pumps for the two liquid metal circuits. At the outlet end there are two corresponding turbines which extract the rotational energy before the liquid metal leaves the reactor. The rotor forms the shaft connecting the pump impellers and the turbine runners; the torque reaction on the fixed blades is taken by the main frame. The pumps are larger than their associated turbines, to make up for the internal pumping losses and to provide additional pumping power for circulating the liquid metal through the externally-mounted intermediate heat exchangers. The reactor is thus its own circulating pump. The axial flow through the reactor is interrupted momentarily by the implosion. Surge tanks are incorporated in the inlet end to maintain continuity of flow in the external circuit; these tanks are situated inside the ends of the rotor and the restoring action is provided by centrifugal force.

Each end of the rotor is closed by a massive steel plug which is free to recoil on splines against a number of hydraulic recuperators. These plugs take the shock load imparted to the ends by the pressure of the imploding liner, and reduce it to an acceptable level before

---

\* Other bearing options may emerge from further studies.

communicating it to the frame of the reactor. The electron beam used to create the initial plasma is injected through a long annular slit in one end plug. The conductance of the slit is low enough to allow a satisfactory pressure differential to be maintained between the electron beam generator and the reactor chamber by two large vertical-axis turbomolecular pumps mounted on the generator. For structural reasons the annular gap is bridged by a number of radial spokes, which are contoured to match the pitch of the rotating beam. The entrance to the reaction chamber is equipped with a mechanical shutter which is operated at the same time as the liner implosion mechanism (Fig. 15). This shutter closes the annular slit during implosion to prevent liquid metal from entering the generator.

Assuming that the plasma is created by the beam with 50% efficiency, the necessary beam energy is 22 MJ per pulse. Typical parameters might be 1.5 MA at 3 MV for 5  $\mu$ sec. A beam generator of this size using existing Marx generator technology would be physically larger than that shown in Figure 11. However, it is most likely that by the time this reactor is built, inductive energy storage technology will have been developed to the point where it can be applied to the generation of electron beams of this size. For the moment therefore, the generator in Figure 11 should be regarded as schematic.

The fueling of the reactor is accomplished by injecting a charge of D-T from injectors in the end plugs just before firing the electron beam generator. The injectors produce supersonic jets which are directed so as to avoid the fresh liquid surface of the liner. After the pulse the residual plasma is lost to the wall and the D-T combines

chemically with the lithium. The fresh stream of cold lithium condenses the lithium vapor and evacuates the chamber in readiness for the next pulse. The small quantity of helium 'ash' is either occluded in the lithium or pumped out through the electron injection slit.

#### VIII. Thermal Conversion System

The liquid metal from the reactor is circulated through intermediate heat exchangers inside the containment building, transferring the heat to non-radioactive sodium circuits and thence to steam generators. This arrangement is similar to that used in the LMFBF. Although the need for an intermediate loop for a fusion reactor is debatable, it will probably be a requirement for licensing, and so is included in this design.

Temperatures and coolant flow rates are shown in Fig. 16. A low-temperature saturated steam cycle is proposed, based on the arguments in favor of this system (compared with a super-heated steam cycle) used in the GE-Bechtel PLBR design.<sup>31</sup> In the case of the Linus reactor, it is desirable to keep the reactor temperature low to make the mechanical requirements of the machine (principally the fatigue life) easier to satisfy. The main frame of the reactor and the helium storage reservoirs are kept at the inlet temperature of 313° C (595° F) and so should not experience problems with creep.

#### IX. Ancillary Systems

The principal ancillary systems are as follows:

- (a) A gas extraction system to remove the tritium and unburnt deuterium from the liquid metal.

(b) A metal processing system to maintain the purity of the lithium in the fast circuit and to maintain the appropriate lead-to-lithium ratio in the slow circuit in the face of the mixing, albeit small, between the circuits inside the reactor.

(c) A pressure makeup system, to return to the reservoirs the small amount of helium that is used by the valve mechanism and is not returned directly at the end of each cycle. This system would also be used to transfer the helium to alternative storage upon shutdown of the reactor.

(d) A liquid metal scavenging circuit to collect the lead-lithium that will, as in all hydraulic systems, leak past the metal-to-metal seals of the mechanism. The lowest helium reservoir will act as a sump for this fluid.

(e) A pressurization and circulation system for the bearings.

The design of any of these systems is beyond the scope of this report.

#### X. Reactor Startup

When the reactor is shut down, the liquid metal is drained into thermally insulated storage tanks where it is held at just above its melting point by electric heaters. The helium is stored under pressure in separate storage tanks. To start the reactor the following sequence is observed:

(a) The structure of the reactor is brought to its working temperature by electric heaters.

(b) The rotor is brought up to speed.

(c) The liquid metal is pumped into the reactor (this may occur

simultaneously with (b)).

(d) The helium is pumped into the reservoirs.

(e) The reactor is operated until it starts generating steam.

All the above operations require power to be supplied from the grid. After (e) the reactor generates the power to run itself. The shutdown procedure would be the same sequence in reverse.

## XI. Maintenance

Maintenance of any fusion reactor is complicated by the induced radioactivity, but in the case of Linus the simplicity of the system and its linear configuration are mitigating factors.

The most frequent maintenance will be required by the electron beam generator, which is well shielded by the massive end structure. The generator can be detached and removed on rails to a maintenance bay. Next there is the maintenance of the rotor, in particular the valves, which entails dismantling the reactor with remote-handling equipment. The procedure is shown in Fig. 17. With the generator removed, the end plate is slid off on airpads. The railway is used to bring up a special maintenance vehicle with a cradle to receive the rotor, which is drawn out of the reactor frame by means of a hydraulic extractor mounted on the vehicle. Oil is pumped through the hydrostatic bearings to lift and lubricate the rotor as it is being extracted. The rotor is then removed to a maintenance bay where it can be serviced with remote handling equipment.

Because most of the neutron absorption takes place in the liner, which is pumped out of the reactor before maintenance begins, it is



likely that the induced radioactivity in the permanent structure will be somewhat less than in other fusion reactor designs. This needs to be confirmed by detailed neutron transport and activation studies, which are beyond the scope of this report.

## XII. Scoping Studies and Cost Estimates

The Linus reactor is a large rotating machine constructed of steel to nuclear pressure vessel standards. At the present stage of design only approximate cost estimates are possible on a \$/kg basis, and even this is made difficult by the lack of similar machines with which to draw an analogy. The amount of steel in the reactor depends on the scale, the working pressure, and the stress in the steel. In the reference design the steel is taken to be  $2\frac{1}{4}$  Cr-1 Mo alloy stressed to 13.5 ksi; this is comparable to the stress in a pressurized-water reactor vessel. The biggest uncertainty lies in the appropriate choice of working stress in a machine that has cyclic as well as constant stresses. In the design described here, the main frame and reservoirs are continuously pressurized, but a pressure drop of 26% occurs during each implosion as the helium expands, resulting in a corresponding drop in the material stress. Fatigue is therefore an important consideration. Rudimentary fracture mechanics calculations, together with information on stresses in large reciprocating engines, indicate that the above level is probably acceptable, but far more detailed studies are needed to confirm this. There is some flexibility in the design for reducing the stress levels: for example, the helium reservoirs could be spherical rather than cylindrical. Also

the pressure fluctuations could be reduced by increasing the volume of the helium reservoirs relative to the reactor volume, although it can be seen from Fig. 11 that to greatly exceed the 5:1 ratio of volumes used there would lead to a much more cumbersome machine.

The engineering parameter that has the most impact on the design of the reactor is the working pressure. The reactor design code has been used to generate sets of parameters for reactors with working pressures both above and below the 2400 psi reference level. In each case the ratio of length to diameter is maintained at 4 (which is required for reasons of plasma stability) and the compression ratio  $\alpha$  chosen to maximize the function F (Equation 1). The results are given in Table 2.

The comparative weight factor is obtained by assuming that the thickness of all the parts is adjusted to keep the same stress in the steel (using the formula for cylindrical pressure vessels<sup>29</sup>). This approach is overly simple, since not all parts are equally affected by pressure, and is also a little naive, since the thickness of the pressure vessels, which is already 20 cm at 2400 psi, cannot be increased arbitrarily. However, the important result from this exercise is that although increasing the working pressure reduces the physical size of the reactor, the weight is practically unchanged owing to the thicker sections needed. The nuclear energy per cycle is decreased as the pressure is increased, so that an increased repetition rate is needed to maintain the same power output. The energy of the electron beam generator increases with increasing pressure, leading to a greater circulating power fraction. The overall economic equation is obviously a very complicated one, but it seems that the pressure of

2400 psi chosen for the reference design is not far from optimum.

Weight and cost estimates for the main components of the reference reactor are given in Table 3. Included are estimates for the electron beam generator, made on a \$/J basis, and for the induction motor, which is one of the few components for which no development is needed.

Although actual cost estimates at this stage are of questionable value, the results of the present study at least allow a comparison to be made of the engineering power density and total materials requirements for the Linus reactor relative to other fusion reactors and the LMFBR. Table 4 shows this comparison. The numbers for the other systems come from a recent report by Kulcinski,<sup>32</sup> who uses them to illustrate his conclusion that, owing mainly to its lower power density, the average DT fusion system (by which he means a tokamak) is likely to be appreciably more costly than the LMFBR. Table 4 shows that this conclusion does not hold for the Linus reactor which, on the basis of this comparison, has twice the power density of the LMFBR.

### XIII. Discussion

This study represents a first attempt at a comprehensive conceptual design of a Linus fusion reactor. This reactor has a number of unique features that allow it to circumvent some of the problems of more conventional fusion concepts. In particular, the liquid metal 'first wall' allows much higher wall loadings than are possible with solid walls. The neutron wall loading in the Linus reference reactor,

referred to the liner in its expanded state, is  $17.5 \text{ MW}\cdot\text{m}^{-2}$ ,<sup>\*</sup> nearly five times greater than in current Tokamak designs.<sup>33</sup> This in turn leads to the higher engineering power density which is one of the principal attractions of the concept.

If a Linus reactor could be developed along the lines suggested here, it could lead to a power source that would be economically competitive with the LMFBR. However, as with all 'exploratory' fusion concepts, this optimism is based on the assumption that the problems of physics and technology can be solved, although in the light of our present, insufficient knowledge it is by no means certain that they can. One of the principal benefits of a study such as this is that it enables these problems to be identified and defined.

The principal problem of plasma physics is the achievement of a stable, high- $\beta$ , closed-field plasma confinement system. The high- $\beta$  is essential if the reactor is to be kept small, and it is proposed to achieve this in a highly elongated toroidal plasma. Present theories say very little about highly elongated systems, but the experimental results from the Garching Belt-Pinch are encouraging. Here  $\langle \beta \rangle = 0.6$  and the confinement is apparently classical,<sup>24</sup> although the temperature is low ( $T_e + T_i \sim 90 \text{ eV}$ ). This interesting experiment is being abandoned, apparently because no way can be seen, using conventional electrical technology, to develop it into a fusion reactor. However,

---

\* When referred to the liner in its imploded state, a more impressive number is obtained, but it is not really relevant for comparison with other systems.

the case is altered if electron beam technology is used to create the configuration and an imploding liner is used to compress it.

There are grounds for believing that the necessary imploding liner technology can be developed. Small scale experiments on hydrodynamic models have demonstrated rotational stabilization and reversible compression-expansion cycles.<sup>9,14</sup> The main technical problem is to develop reliable mechanisms which can be scaled up to reactor size. One problem brought to light by the present study is the need to give the liquid metal a substantial amount of rotational energy as it enters the reactor, and to recover it upon leaving: the proposed pump-and-turbine arrangement would accomplish this, but is a rather cumbersome solution. The question is whether it is necessary to rotate the entire liner at the speed required for stabilization of its inner surface. The stability criterion simply requires that  $\ddot{r} < r\omega^2$  at the surface. When the whole liner moves initially as a rigid rotor, Rayleigh's criterion  $\frac{d}{dr} (r^2\omega)^2 \geq 0$  is satisfied everywhere and the fluid motion is completely stable. If only the inside layer were given the necessary rotation for surface stabilization, and the rest of the liner rotated more slowly, Rayleigh's criterion would not be satisfied, but, on the time scale of the implosion, the resulting internal instability might not grow sufficiently to affect the gross dynamics of the liner. In this case the main body of the liner would need to be rotated only at sufficient speed to establish a cylindrical surface ( $\sim 25$  rpm), and by injecting and extracting it with a tangential velocity component there would be no need to change the kinetic energy of a fluid element as it passed through the reactor. This question

should be resolved by further calculations and hydrodynamic model experiments.

The two liquid metal circuits through the reactor are an unfortunate necessity, since the inner surface must be replaced between cycles and it is neither necessary nor desirable to replace the entire liner on this timescale. The arrangement would be considerably simplified if both circuits contained the same liquid metal. The choice of metals in the reference reactor was made in order to exploit the mechanical and nuclear properties of lead and the electrical and atomic properties of lithium, and no obvious combination of liquid metals can achieve the same result in a homogeneous liner. This does not rule out the possibility that a suitable combination might be found, but since there are so many properties which must be taken into account (e.g. density, sound speed, melting point, viscosity, electrical conductivity, nuclear cross-sections, vapor pressure, corrosiveness, etc.) the search may take some time.

The 22 MJ, 4.5 TW electron beam contains about seven times more energy than the largest existing electron beams produced by the Aurora generator<sup>34</sup> (3 MJ). Its power is only about one-fifth of Aurora's 24 TW on account of its much longer pulse length (5  $\mu$ sec vs. 120 nsec). The beam could be produced by means of an annular field-emission diode connected to a 25 MJ Marx generator. Such a generator, operating at 1.7 Hz, is within the capabilities of existing technology, but it would be very large ( $\sim 1000 \text{ m}^3$ ) owing to the intrinsically low energy storage density of capacitors. The same amount of energy could be stored in an inductor occupying only  $\sim 10 \text{ m}^3$ , but to discharge an

inductive store requires opening the circuit and there is as yet no switch, or combination of switches, capable of repetitively opening 1.5 MA against 3 MV. Light-activated silicon switches,<sup>38</sup> although at an early stage of development, may eventually fill this role, in which case the 22 MJ generator would probably be no larger than depicted in Fig. 11.

In conclusion, it appears that there is no fundamental obstacle to the development of the Linus reactor, although extensive development work is needed in several areas. If indeed the reactor could be made as compact as this study suggests, its power density would be greater than any other magnetically-confined fusion system. This could have an important effect on the economic position of fusion relative to the LMFBR.

#### XIV. Acknowledgments

The Linus concept has evolved as the result of contributions from many individuals at NRL, notably P. J. Turchi, R. A. Shanny, J. P. Boris, D. L. Book and N. Winsor. Interaction with M. Schaffer of General Atomic Company, who has been developing a liner concept for transmuting fission wastes, has always been stimulating. The present study has been aided by discussions with J. Jarzinski, F. Loss and L. Steele of NRL and T. Doyle of NSRDC (Annapolis). Important contributions to the design of the implosion mechanism and the layout of the reactor were made by J. Brough of Sachs/Freeman Associates.

#### XV. References

1. H. Furth, Nucl. Fusion 15, 487 (1975).

2. J. P. Boris and R. A. Shanny, Proc. 2<sup>nd</sup> Topical Conf. on Pulsed High Beta Plasmas, Paper G10, Garching, FRG, 3-6 July 1972.
3. A. E. Robson, Report of NRL Progress, June 1973, p. 7.
4. A. E. Robson, NRL Memorandum Report No. 2616, July 1973.
5. J. G. Linhart, H. Knoepfel and C. Gouylan, Nucl. Fusion (Suppl) Pt. II, 733 (1962).
6. S. G. Alikhanov, et al., Plasma Physics and Controlled Nuclear Fusion Research 1976, Vol. III, p. 517.
7. A. E. Robson and P. J. Turchi, Proc. 3<sup>rd</sup> Topical Conference on Pulsed High Beta Plasmas, Culham UK, 9-12 Sept. 1975, p. 477.
8. P. J. Turchi and A. E. Robson, Proc. 6<sup>th</sup> Symposium in Engineering Problems of Fusion Research, San Diego, 18-21 Nov. 1975, p. 983.
9. D. L. Book, et al., Plasma Physics and Controlled Nuclear Fusion Research 1976, Vol. III, p. 507.
10. A. E. Robson, Trans. Am. Nucl. Soc. 27, 45 (1977).
11. R. W. Moses, R. A. Krakowski and R. L. Miller, Proc. 3<sup>rd</sup> ANS Topical Meeting on Controlled Nuclear Fusion, Santa Fe, 9-11 May 1978.
12. A. I. Barcion, D. L. Book and A. L. Cooper, Phys. Fluids 17, 1707 (1974).
13. P. J. Turchi, et al., Phys. Rev. Lett. 36, 1546 (1976).
14. R. L. Burton, et al., Proc. 7<sup>th</sup> Symposium on Engineering Problems of Fusion Research, Knoxville, 25-28 Oct. 1977, Vol. 1, p. 225.
15. N. C. Christofilos Peaceful Uses of Atomic Energy, United Nations, Geneva, 1958, Vol. 32, p. 279.



16. D. A. Hammer, et al., Phys. Lett. 60A, 31 (1977).
17. J. D. Sethian, et al., Phys. Rev. Lett. 41, 798 (1978).
18. J. D. Sethian, et al., submitted to Phys. Rev. Letters.
19. A. E. Robson and J. D. Sethian, work in progress.
20. A. G. Es'kov, et al., 7<sup>th</sup> Int. Conf. on Plasma Physics and Controlled Nuclear Fusion Research, Innsbruck, Austria, 23-30 Aug. 1978, Paper U4-1.
21. O. Gruber and R. Wilhelm, Nucl. Fusion, 16, 234 (1976).
22. O. Gruber, et al., Plasma Physics and Controlled Nuclear Fusion Research, 1976, Vol. 1, p. 311.
23. G. Becker, et al., Proc. 8<sup>th</sup> European Conf. on Controlled Fusion and Plasma Physics, Prague, 1977.
24. G. Becker, et al., 7<sup>th</sup> Int. Conf. on Plasma Physics and Controlled Nuclear Fusion Research, Innsbruck, Austria, 23-30 Aug. 1978, Paper U2.
25. D. L. Book, et al., *ibid*, Paper E5.
26. A. E. Robson, NRL Memorandum Report No. 3472, April 1977.
27. A. E. Robson, NRL Memorandum Report No. 3484, April 1977.
28. D. J. Dudziak, Los Alamos Report, LA-6948-MS, Sept. 1977.
29. R. J. Roark, Formulas for Stress and Strain (McGraw-Hill, 1965), p. 308.
30. H. Knoepfel Pulsed High Magnetic Fields (North Holland-Elsevier, 1970) p. 88.
31. Prototype Large Breeder Reactor-Phase II Conceptual Design, Bechtel Corp. 1977.

32. J. Kulcinski, University of Wisconsin Report UWFDM-234, March 1978.
33. D. Steiner, et al., ORNL TM-5813.
34. B. Bernstein and I. Smith, IEEE Trans. Nucl. Sci., NS-19, 294 (1971).
35. O. Zucker, Seminar on Energy Storage, Compression and Switching, Canberra, Australia, 15-21 Nov. 1977. (Proceedings to be published.)

Table 1  
Reactor Working Point

Liner Properties:

$$\rho = 9.9 \text{ gm.cm}^{-3}; \quad \rho c^2 = 405 \text{ kbar (Lead, 20\% Lithium)}$$

$$\eta = 21.5 + .026T \text{ } \mu\Omega\text{-cm (Lithium, T in } ^\circ\text{C)}$$

Driving Pressure: 2400 psi ( $p/\rho c^2 = 4 \times 10^{-4}$ )

Plasma Conditions:

	<u>Initial</u>	<u>Compressed</u>
Radius	161 cm	13 cm
Length	12.9 m	12.9 m
Density	$8 \times 10^{14} \text{ cm}^{-3}$	$2 \times 10^{17} \text{ cm}^{-3}$
Temperature	376 eV	15 keV
Magnetic field	4.9 kG	506 kG
Pressure	1 bar	10 kbar ( $p/\rho c^2 = 0.025$ )
$\langle \beta^2 \rangle$	0.64	0.4
Energy (plasma + field)	11.1 MJ	864 MJ

Energies Per Cycle:

E-beam energy	22MJ
Final plasma energy	864 MJ
Nuclear energy (22.4 MeV/reaction)	1869 MJ ( $Q_p = 2.16$ )
Thermal energy	1891 MJ

Cycle Repetition Rate: 1.67 Hz

Power Accounting:

Gross thermal power	3165 MW
Gross electric power	1000 MW
Power to reactor motor, sodium circulators and BOP	60 MW
Power to e-beam generator	40 MW
Net electric power	900 MW
Plant net efficiency	28.4%

Table 2

Variation of Main Reactor Parameters with Driving Pressure

Driving pressure, psi:	1200	1800	2400	3000	3600	4200
Initial liner radius, m:	2.11	1.79	1.61	1.49	1.37	1.27
Length of liner, m:	16.8	14.3	12.9	11.9	10.9	10.1
Radial compression ratio:	13.5	12.8	12.5	12.3	11.2	10.3
Initial energy, MJ:	10.9	11.1	11.1	11.2	12.2	13.2
Nuclear energy per cycle, MJ:	2075	1930	1869	1855	1716	1602
Repetition rate, Hz:	1.51	1.62	1.67	1.69	1.82	1.94
Comparative weight factor:	1.02	0.95	1.00	1.05	1.04	1.03

Table 3

Basic Reactor Weights and Costs

Machine:

Main frame	645 tonnes @ \$22K/tonne	=	\$14M
Gas reservoirs	1230 tonnes @ \$11K/tonne	=	14M
Rotor and mechanisms	535 tonnes @ \$33K/tonne	=	18M
Ends and manifolds	900 tonnes @ \$22K/tonne	=	20M
Liquid metal in reactor	<u>500 tonnes @ \$4K/tonne</u>	=	<u>2M</u>
Sub totals	3810 tonnes		\$68M

Electron beam generator:

22 MJ @ \$1/J	200 tonnes (estimated)	\$22M
---------------	------------------------	-------

Driving motor:

10,000 h.p.	<u>70 tonnes</u>	<u>\$2M</u>
-------------	------------------	-------------

<u>Totals</u>	<u>4080 tonnes</u>	<u>\$92M</u>
---------------	--------------------	--------------

These costs are for the nuclear island only and do not include the heat exchangers and the ancillary systems.

Table 4

Power Density and Materials Requirements

	<u>Engineering Power Density</u>		<u>Materials</u>
	<u>(MW(t)/m<sup>3</sup> of metal)</u>		<u>Requirements</u>
	<u>Energy</u>	<u>Total</u>	<u>(Tonnes/</u>
<u>Production</u>	<u>Nuclear</u>	<u>MW(e))</u>	
	<u>Only</u>	<u>Island</u>	
LMFBR*	350 (Core)	3	6
DT Fusion (Average)*	3-4 (Blanket)	1-2	15
Linus	80 (Liner)	6	4

---

\* From Kulcinski<sup>32</sup>

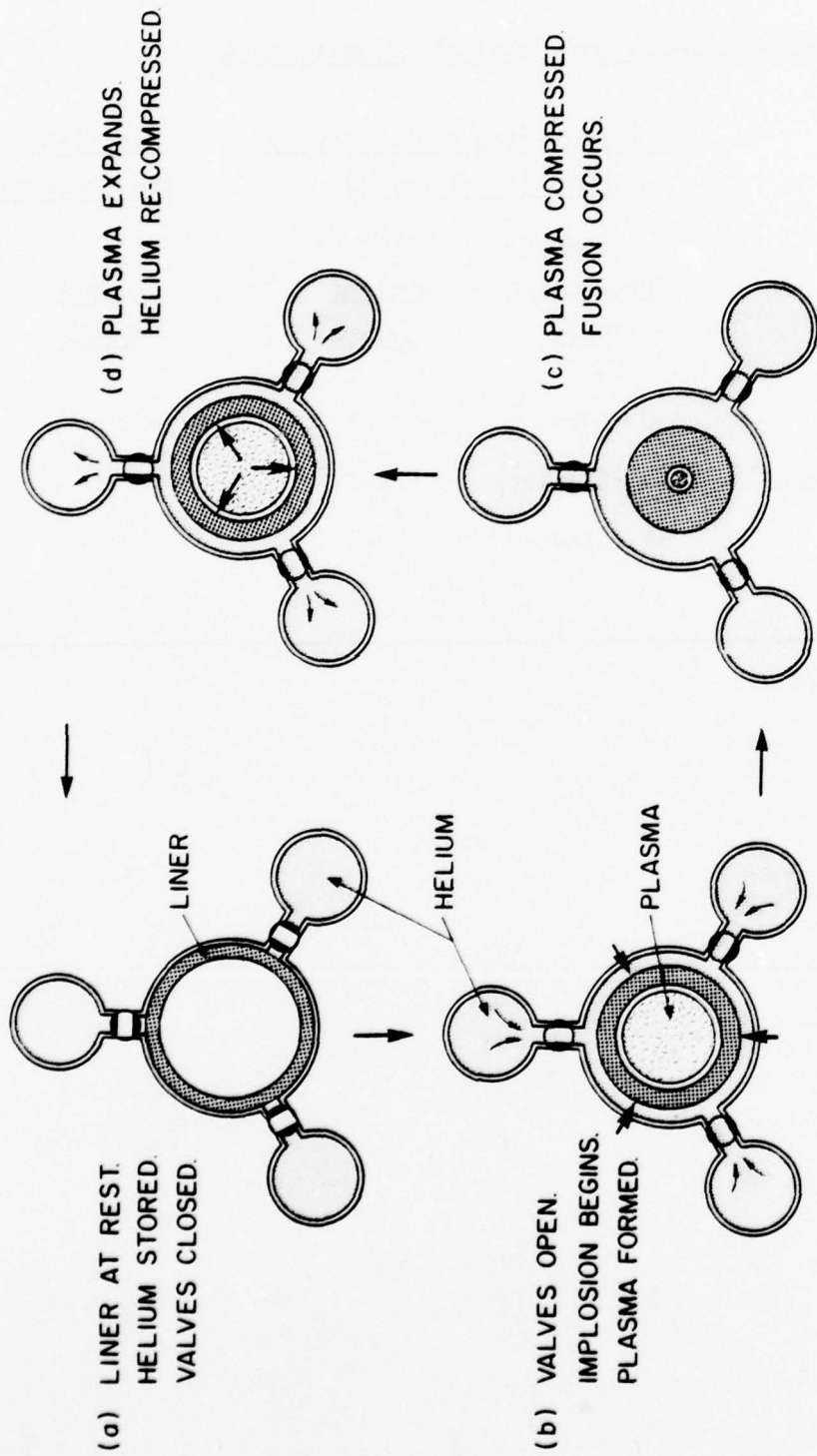


Fig. 1 — Linus reactor cycle

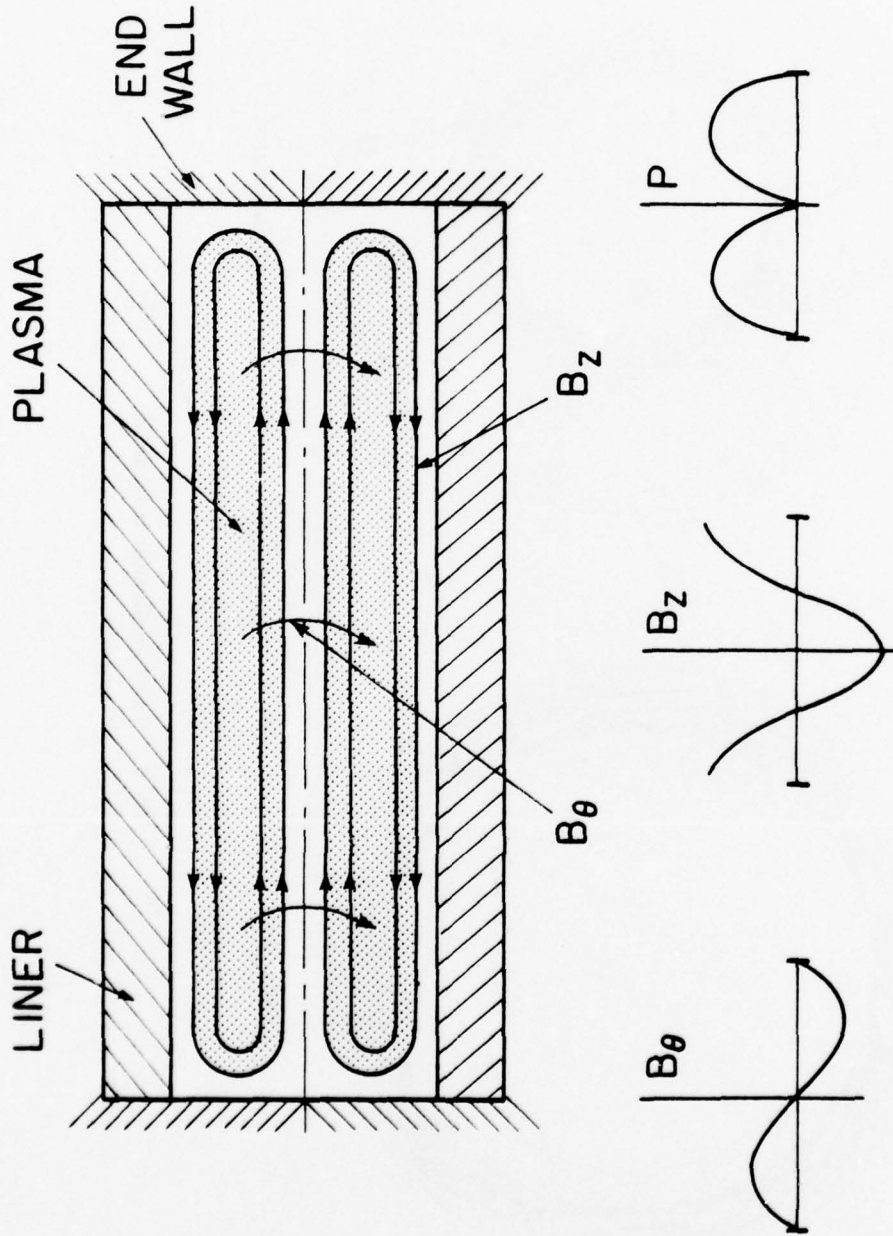
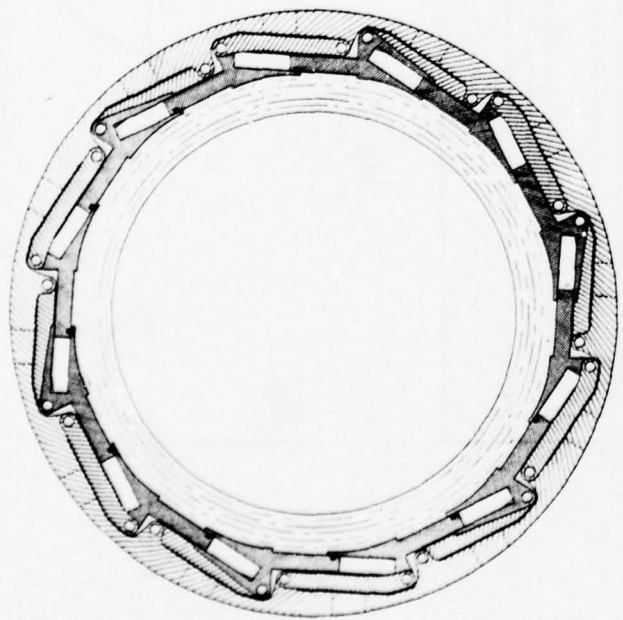
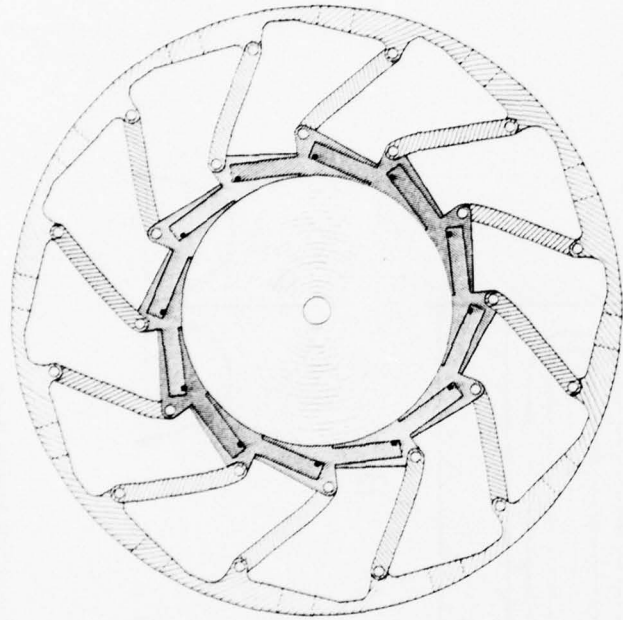


Fig. 2 -- Closed-field plasma configuration inside liner





(a) open



(b) imploded

Fig. 3 — Liner implosion mechanism

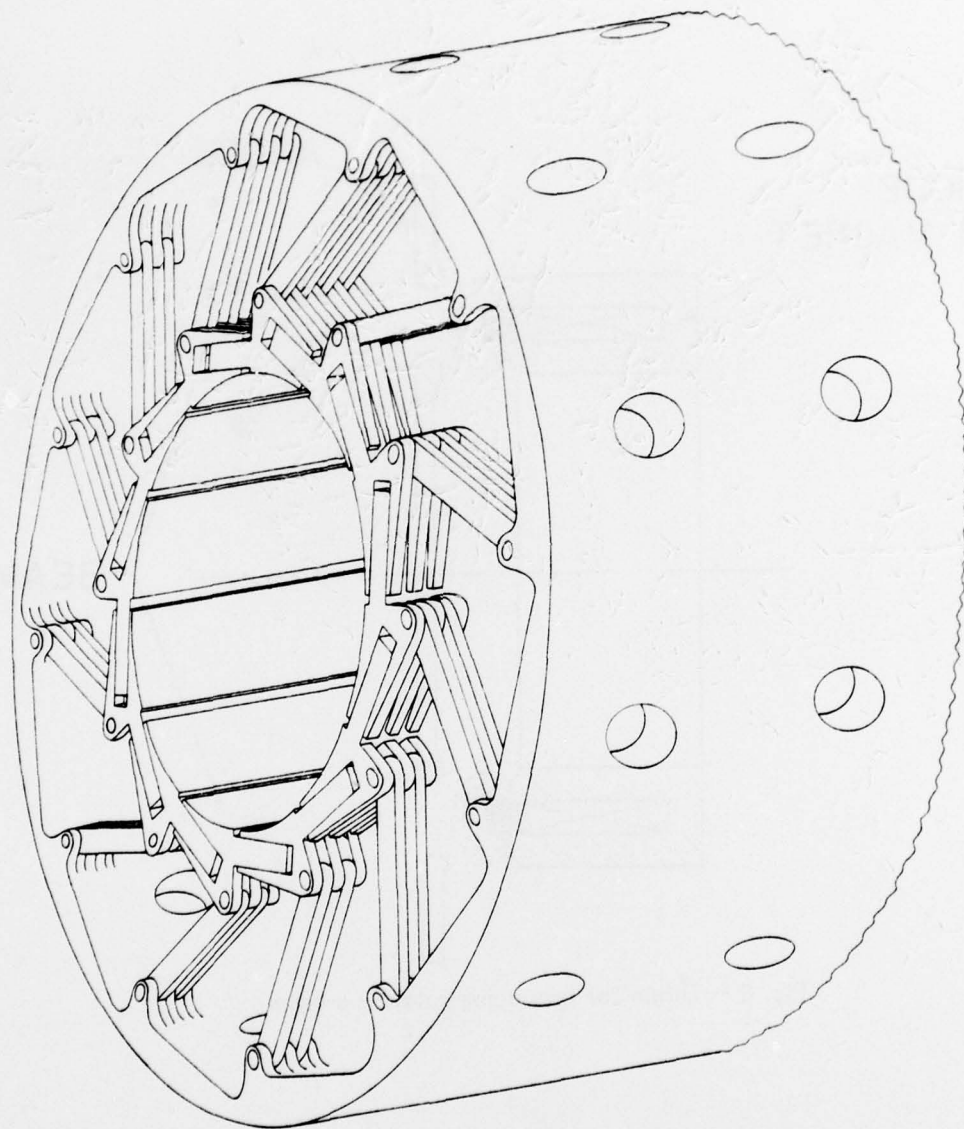


Fig. 4 — Liner implosion mechanism - 3D view

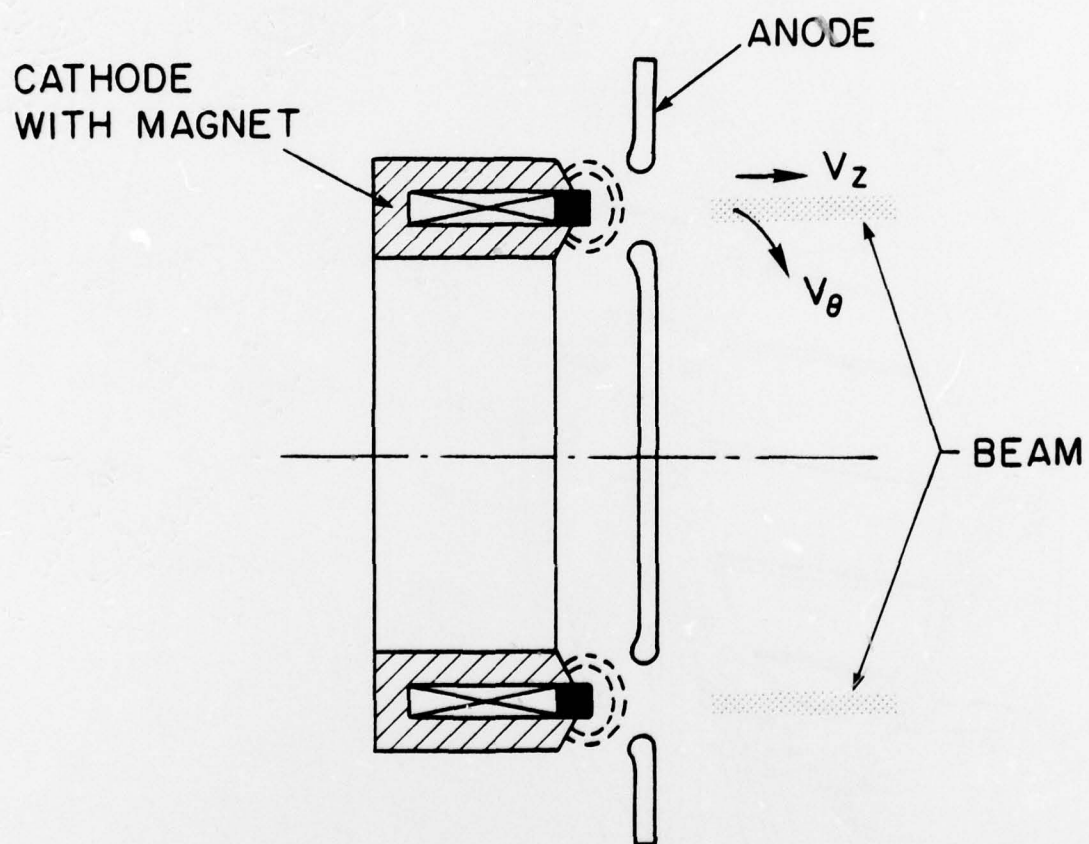


Fig. 5 - Diode for producing rotating e-beam

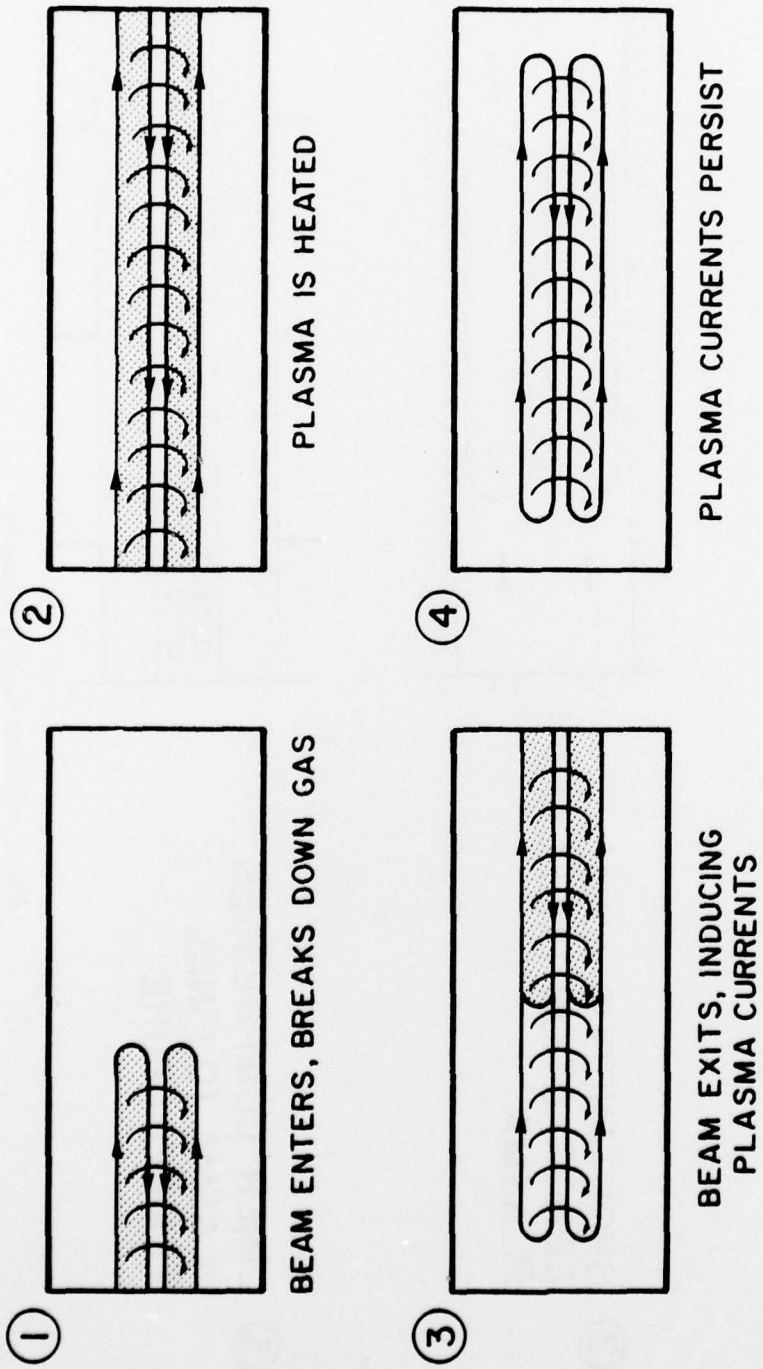
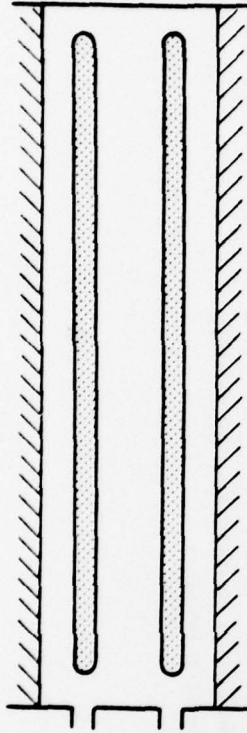
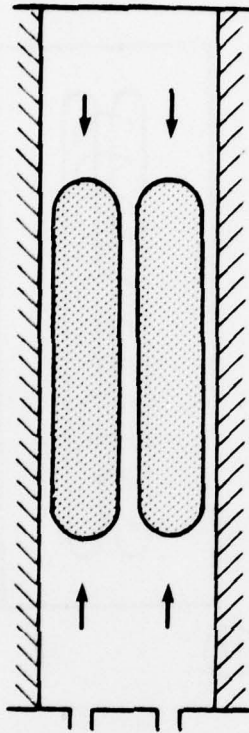


Fig. 6 — Formation of reversed-field plasma configuration by rotating relativistic electron beam

① ELONGATED PLASMA FORMED BY E-BEAM



② SPONTANEOUS AXIAL CONTRACTION PREHEATS PLASMA



③ LINER COMPRESSES PLASMA TO FINAL TEMPERATURE

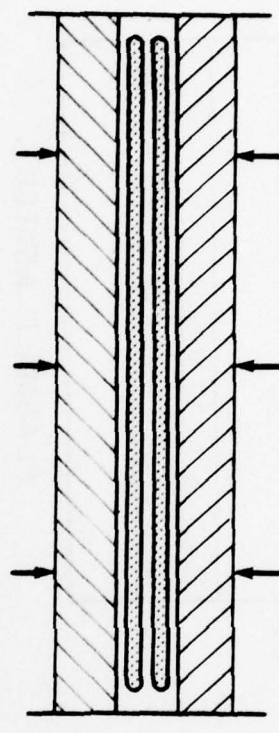


Fig. 7 - Plasma heating sequence

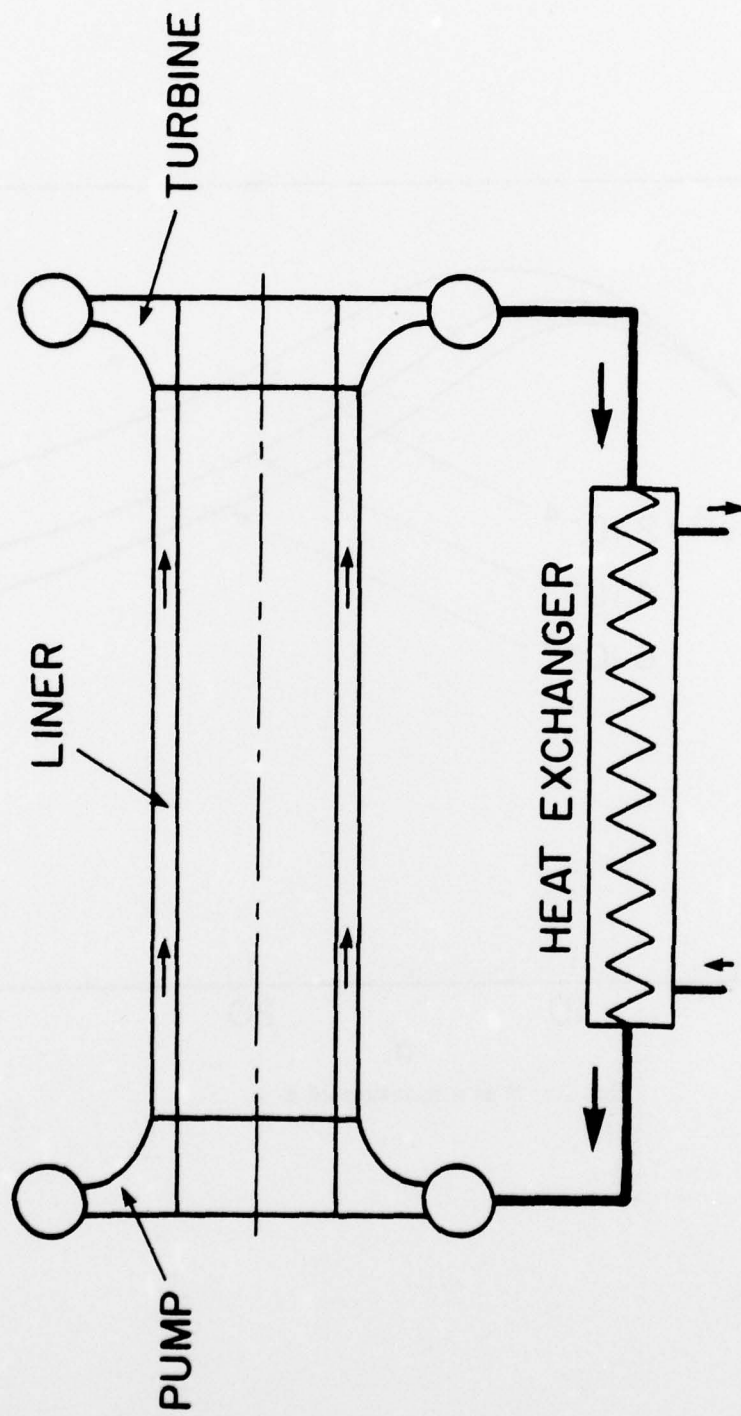


Fig. 8 — Liquid metal circuit

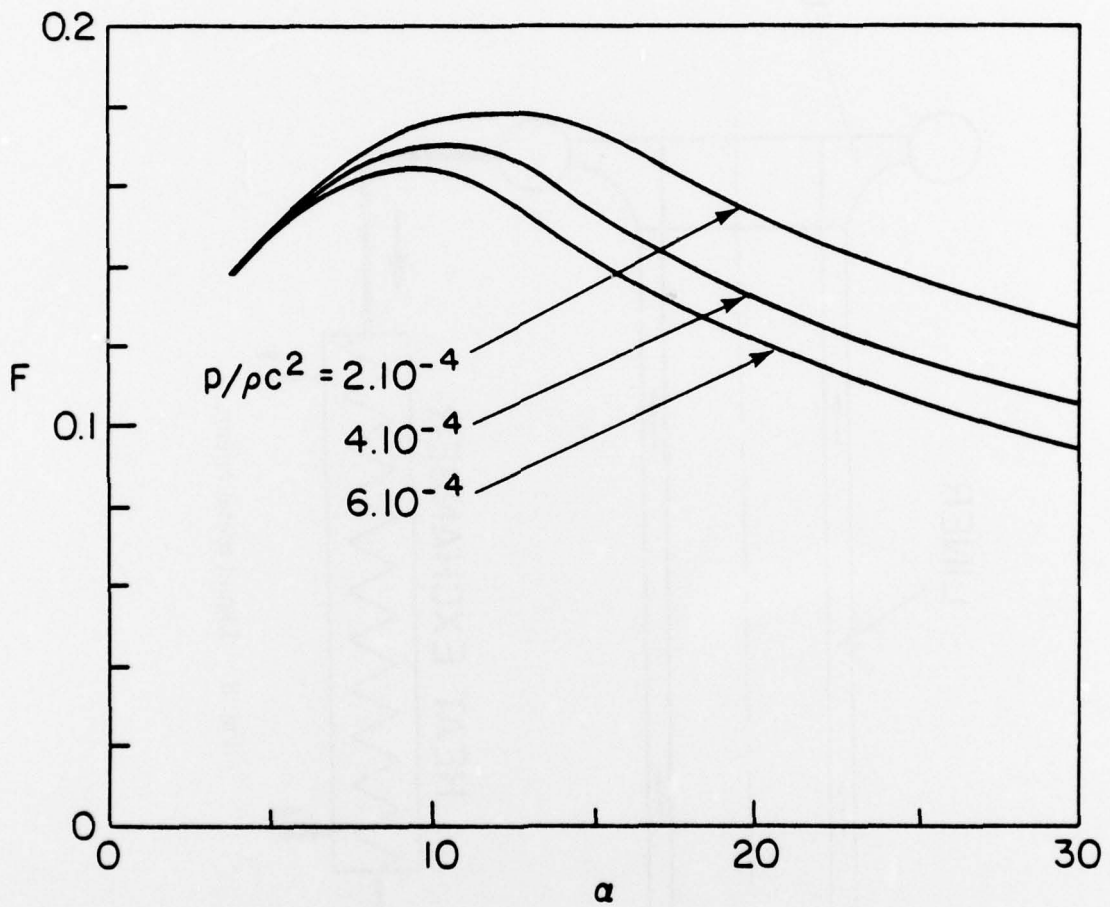


Fig. 9 -  $F$  as a function of  $\alpha$

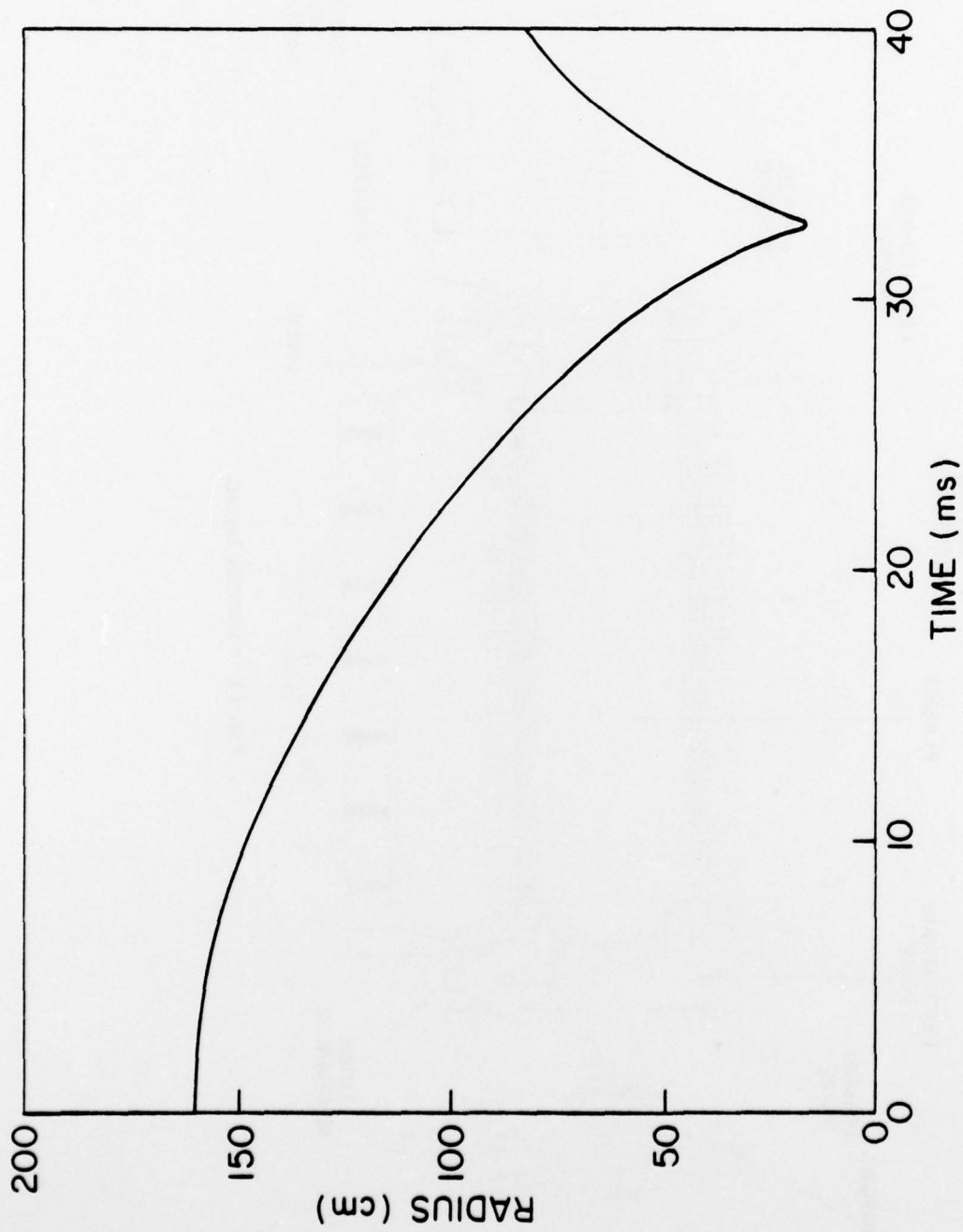


Fig. 10 — Liner implosion trajectory



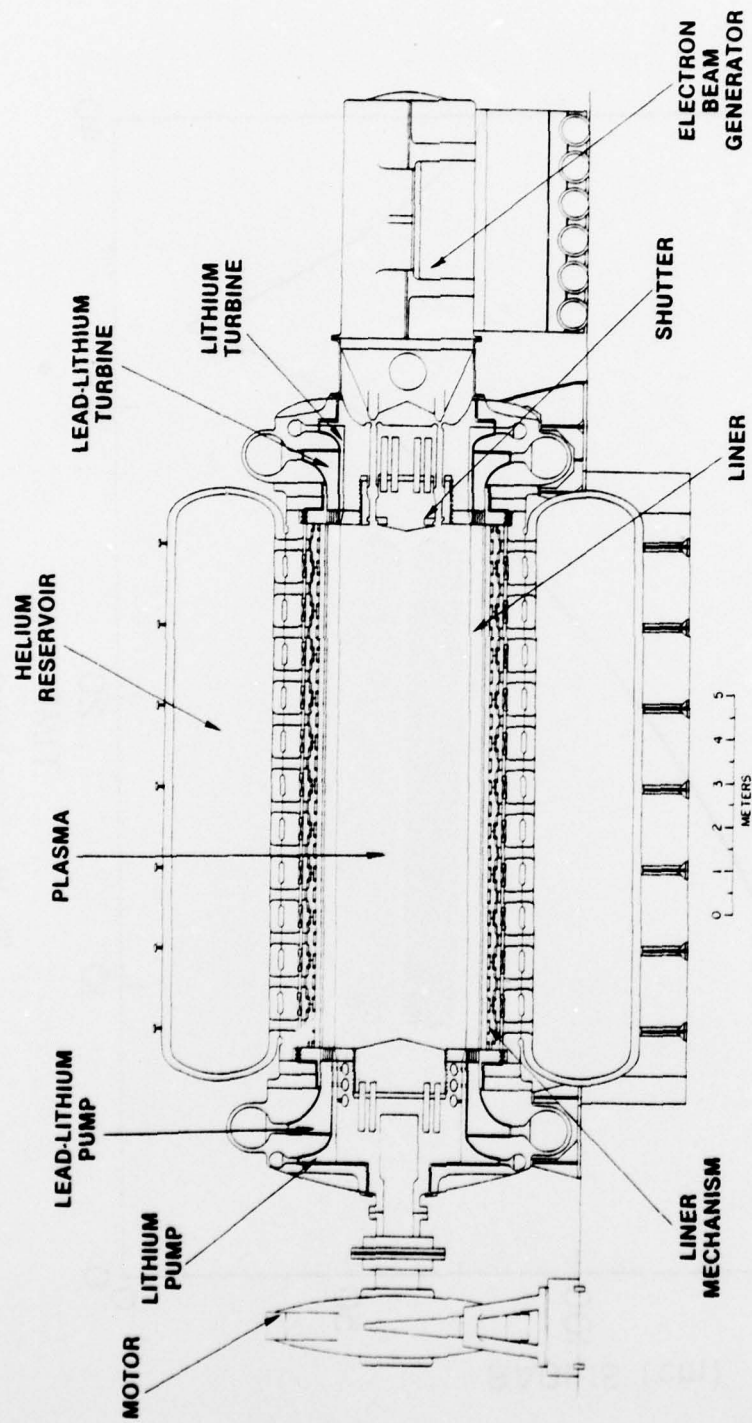
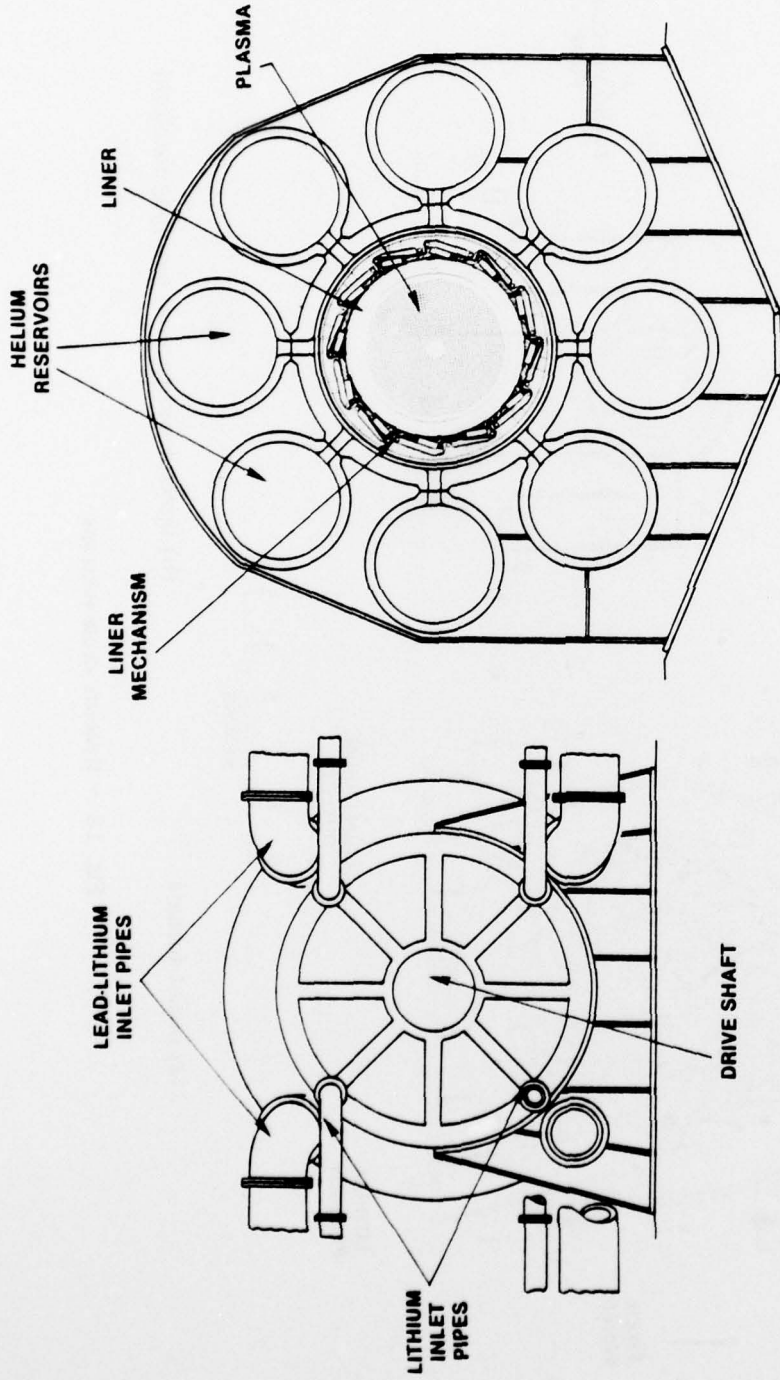


Fig. 11 — Reactor layout



(a) end view and inlet manifold

(b) cross-section at mid-plane

Fig. 12 — Reactor layout

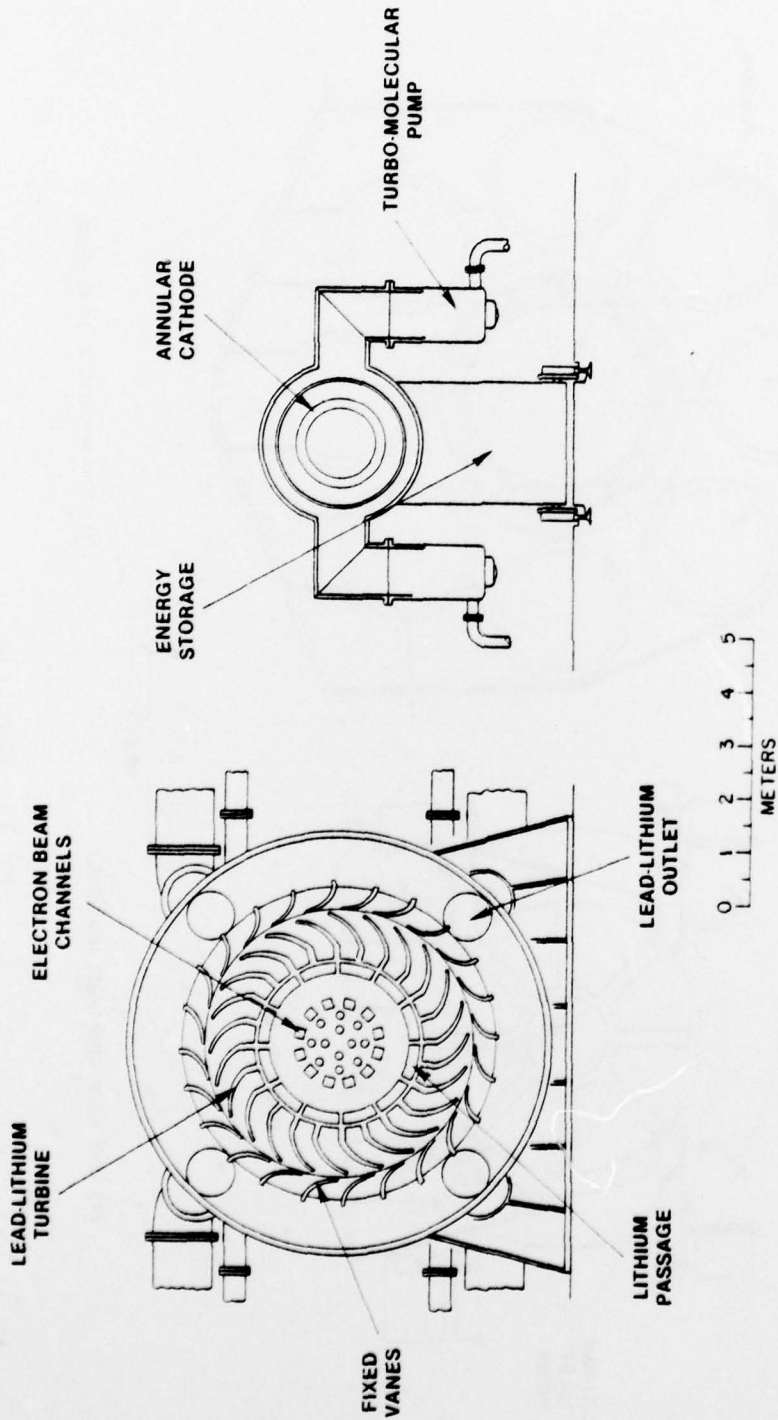
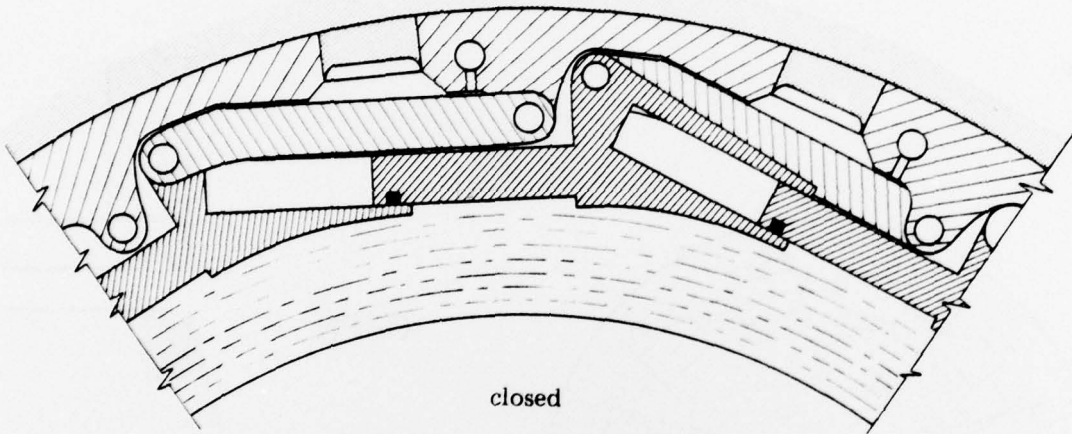
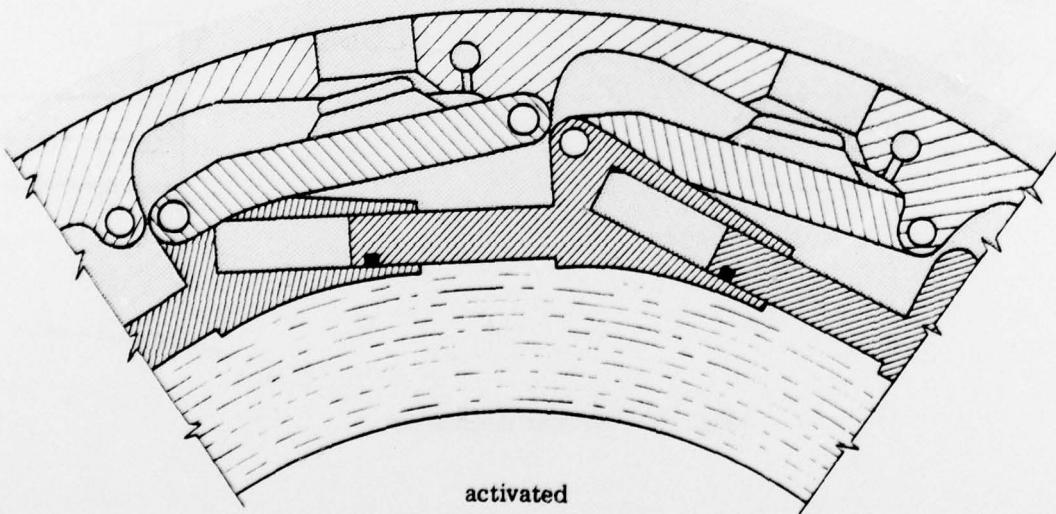


Fig. 13 — Reactor cross-sections



closed



activated

Fig. 14 - Valve mechanism

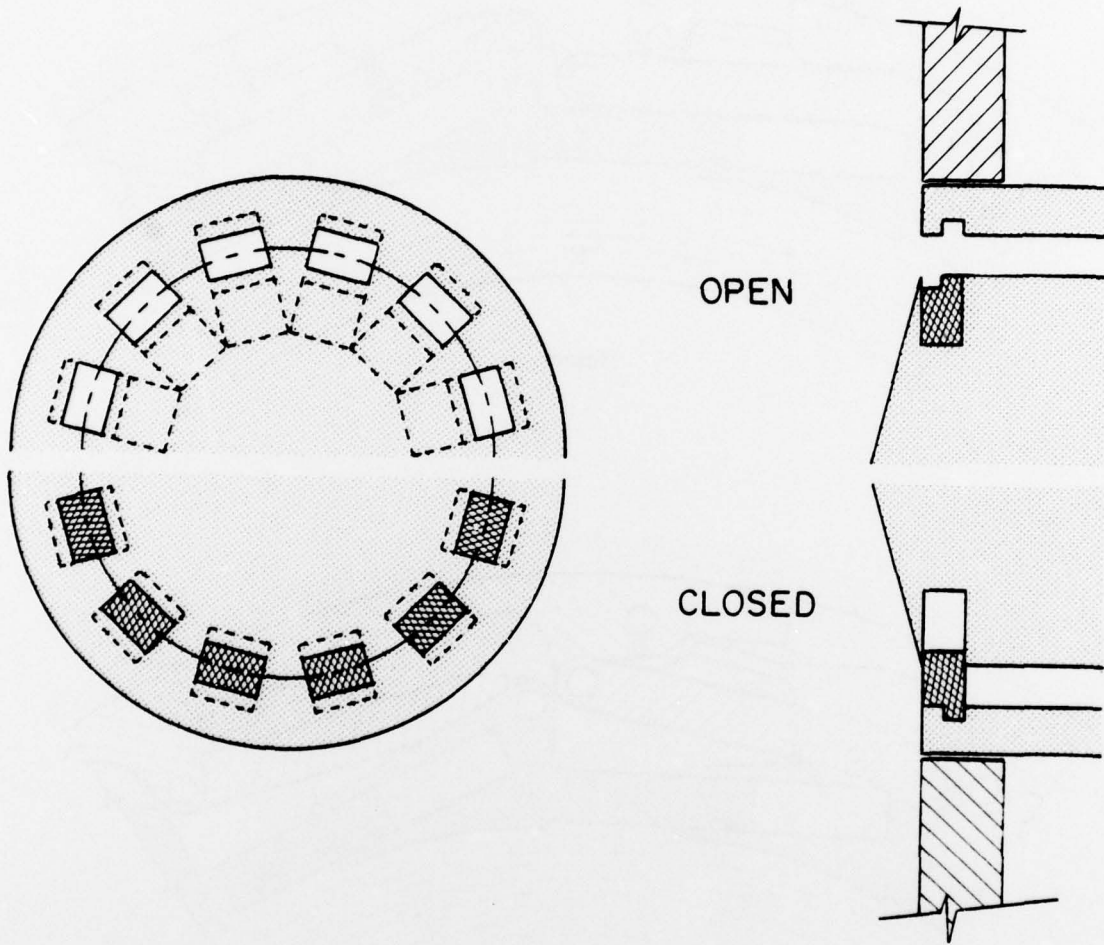


Fig. 15 — Shutter mechanism

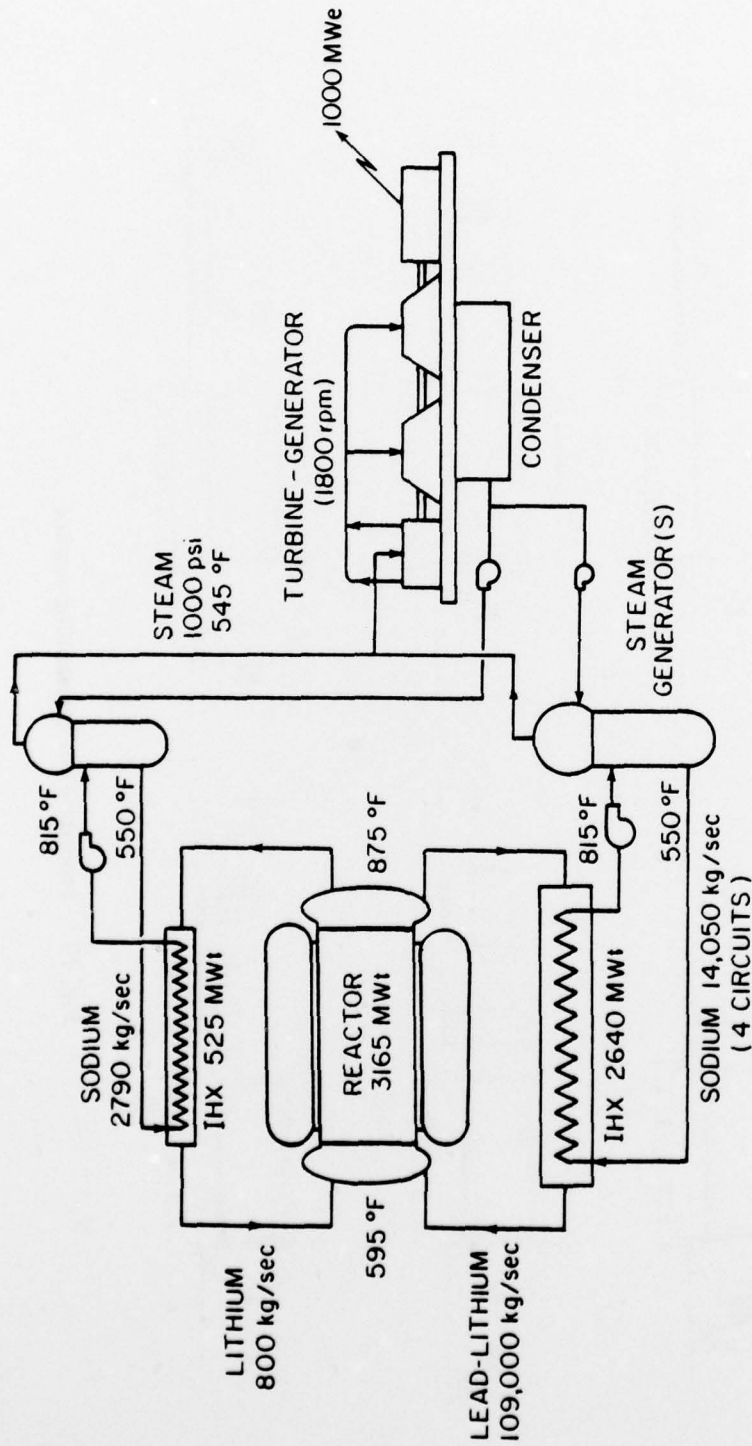


Fig. 16 — Energy conversion system

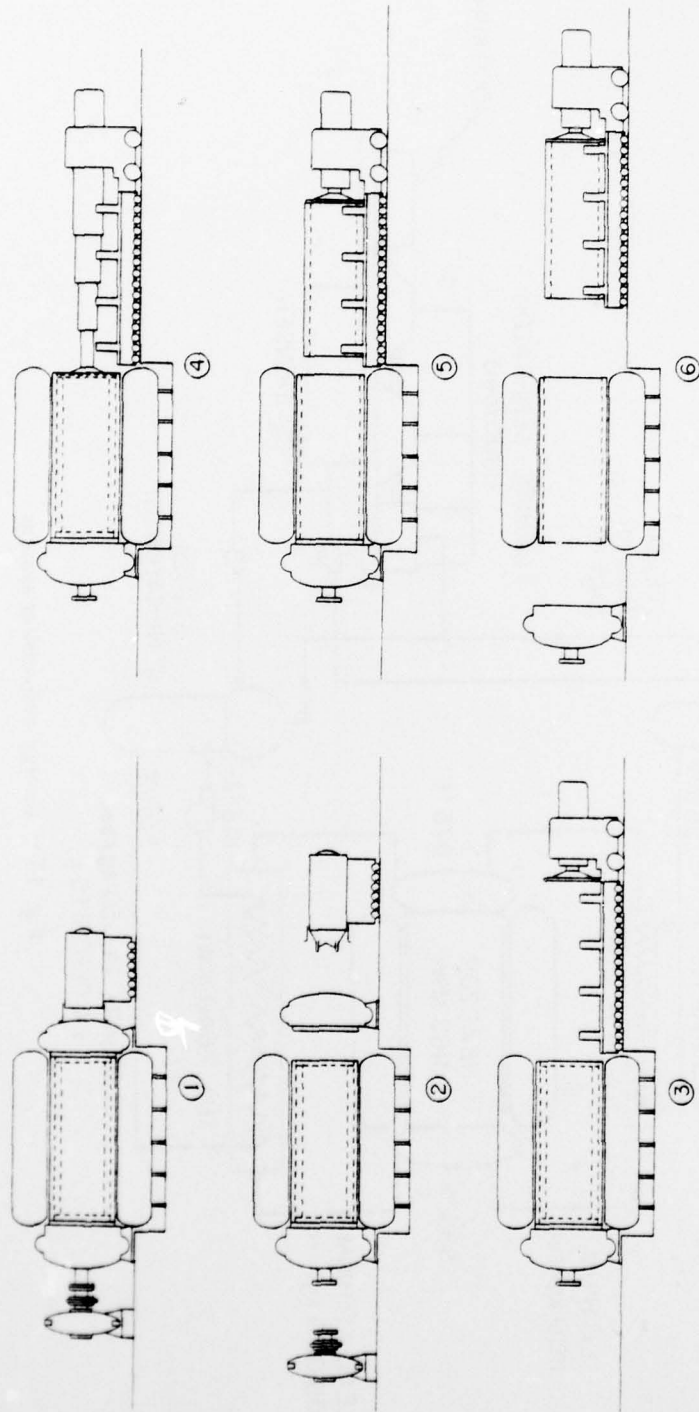


Fig. 17 — Procedure for dismantling reactor