

ADA031445

COPY AVAILABLE TO DDC DOES NOT  
PERMIT FULLY LEGIBLE PRODUCTION

COPY AVAILABLE TO DDC DOES NOT  
PERMIT FULLY LEGIBLE PRODUCTION

2

AD

AVSCOM TECHNICAL REPORT 76-9, VOL 1

OH-58A FLAT RATE MANUAL

PARKS COLLEGE OF ST. LOUIS UNIVERSITY  
CAIROKIA, ILLINOIS 62206

20000801163

MARCH 1976

FINAL REPORT FOR PERIOD I JAN 70 - 31 DEC 73

APPROVED FOR PUBLIC RELEASE;  
DISTRIBUTION UNLIMITED.

Reproduced From  
Best Available Copy

PREPARED FOR

US ARMY AVIATION SYSTEMS COMMAND  
SYSTEMS PERFORMANCE ASSESSMENT DIVISION (CRSAV-LS)  
P.O. Box 209  
St. Louis, MO 63166

DDC  
RECEIVED  
NOV 2 1976  
D

DISCLAIMER

THE FINDINGS IN THIS REPORT ARE NOT TO BE CONSTRUED  
AS AN OFFICIAL DEPARTMENT OF THE ARMY POSITION UNLESS  
SO DESIGNATED BY OTHER AUTHORIZED DOCUMENTS.

DISPOSITION INSTRUCTIONS

DESTROY THIS REPORT WHEN NO LONGER NEEDED. DO NOT  
RETURN IT TO THE ORIGINATOR.

UNCLASSIFIED

SECURITY CLASSIFICATION OF THIS PAGE (When Data Entered)

REPORT DOCUMENTATION PAGE		READ INSTRUCTIONS BEFORE COMPLETING FORM
1. REPORT NUMBER 76-9	2. GOVT ACCESSION NO.	3. RECIPIENT'S CATALOG NUMBER
4. TITLE (and Subtitle) ⑥ Oh-58A Flat Rate Manual, <del>of +</del> Volume I.	⑨	5. TYPE OF REPORT & PERIOD COVERED Final Report 1 Jan 70-31 Dec 73
⑩ Harold W. Stuphin William E. Brand	⑮	6. PERFORMING ORG. REPORT NUMBER DAAJ01-72-A-0027 (P6C)
9. PERFORMING ORGANIZATION NAME AND ADDRESS Parks College of St. Louis University Cahokia, IL 62206		10. PROGRAM ELEMENT, PROJECT, TASK AREA & WORK UNIT NUMBERS ⑫ 157p
11. CONTROLLING OFFICE NAME AND ADDRESS US Army Aviation Systems Command Systems Performance Assessment Div (DRSAV-LS) PO Box 209 St. Louis, MO. 63166	⑪	12. REPORT DATE Mar 1976
14. MONITORING AGENCY NAME & ADDRESS (if different from Controlling Office) ⑱ USAHYS COM		13. NUMBER OF PAGES 154
16. DISTRIBUTION STATEMENT (of this Report) Approved for Public Release Distribution Unlimited		15. SECURITY CLASS. (of this report) UNCLASSIFIED
⑲ TR-76-9		15a. DECLASSIFICATION/DOWNGRADING SCHEDULE
17. DISTRIBUTION STATEMENT (of the abstract entered in Block 20, if different from Report)		
18. SUPPLEMENTARY NOTES		
19. KEY WORDS (Continue on reverse side if necessary and identify by block number) Flat Rate Data Maintenance Man-hour Times Man-hour Frequencies Man-hour Distributions		Tasks Times TAMMS 2407 Data OH-58A Maintenance Data
20. ABSTRACT (Continue on reverse side if necessary and identify by block number) The purpose of this Flat Rate Manual is to provide statistical man-hour parameters for the performance of tasks involved at the Organizational, Direct and General maintenance levels for the Oh-58A aircraft. It is intended for evaluating and predicting maintenance requirements and/or comparing the performance of an activity against a recognized standard.		

409200

UNCLASSIFIED

PREFACE

This publication is an updated version of the original OH-58A (August 1973) Flat Rate Manual. It is a result of four years of data editing and validation procedures of TAERS/TAMMS data through development of ADP programs within the RAMMIT system. Manuals that have been published include AH-1G (July 1973), CH-47A (December 1974) and UH-1H (July 1975).

AGREED BY _____	
DATE	TIME
NO.	NO. OF
CHANGES	REVISIONS
REVISIONS	
BY _____	
DATE/AVAIL. DATE	
NO. AVAIL. DATE/NO. OF	
A	

D D C  
RECEIVED  
NOV 8 1976  
D

TABLE OF CONTENTS

<u>Section</u>	<u>Listing Page</u>	<u>Figure Number</u>
I. Introduction		
1.1 Purpose	1	
1.2 Scope and Limitations	1	
1.3 Methods	2	
II. Scheduled Maintenance Actions Against End Item Aircraft (Daily and Periodic)	7	
III. Functional Group 01 - Airframe System	9	
Covers and Loose Equipment	10	1
Auxiliary Installations	12	2
Armament Provisions Installations	17	3
Fuselage Assembly	19	4
Crew Door Installation	22	5
Passenger Door Installation	25	6
Fuselage Structure Assembly	28	7
Fuselage Structure Assembly	30	8
Nose Installation	32	9
Console Installation	34	10
Crew Door Jettison Installation	36	11
Console Cover and Bulkhead Installation Seat	38	12
Passenger Seat Panel Installation	40	13
Fylon Support Installation	42	14
Bulkhead Installation	44	15
Aft Cabin Closure Installation	46	16
Lower Cabin Shell Assembly	48	17
Bulkhead Installation	50	18
Aft Fuselage Installation	52	19
Aft Fuselage Installation	54	20
Tail Boom Installation	56	21
Stabilizer Installation	59	22
Tail Boom Fin Installation	61	23
Engine Mount Installation	64	24
Cowl Installation	66	25
Particle Separator and Fairing Assembly	68	26
Cowl Installation	71	27
Passive Defense Installation	76	28
Soundproofing Installation	78	29
Crew Seating and Restraint Installation	80	30
Passenger's Seating and Restraint Installation	84	31
Nose and Tail Boom Ballast Installation	87	32
Cargo Platform	89	33
Flyaway Items	91	
Miscellaneous Items	93	

<u>Section</u>	<u>Listing Page</u>	<u>Figure Number</u>
IV. Functional Group 02 - Landing Gear System	96	
Landing Gear Assembly	97	35
V. Functional Group 03 - Power Plant System	99	
Electrical System Assembly, Engine	100	36
Anti-Icing and Air Bleed System	102	37
Fuel System, Engine	104	38
Pump Assembly, Fuel	107	39
Flow Body Assembly and Related Parts	109	40
Compressor and Related Parts	111	41
Combustion System	113	42
Turbine Assembly, Gas (Power Turbine Rotor and Related Parts)	115	43
Gearbox, Cover, and Related Parts	117	44
Gearbox Internal Oil System	119	45
Engine Assembly	121	46
Engine Assembly	123	47
Engine Anti-Icing Control Installation	129	48
Freewheeling Assembly and Installation	131	49
Bleed Air Installation	135	50
Droop Compensator Control Installation	137	51
Gas Producer Control Installation	140	52
Engine Oil System Installation	142	53
Miscellaneous Items	148	
VI. Functional Group 04 - Transmissions, Drives and Rotors	150	
Pylon Installation	151	54
Main Rotor Hub and Blade Installation	156	55
Main Rotor Hub Assembly	160	56
Transmission Installation	165	57
Transmission Assembly	168	58
Transmission Assembly	170	59
Transmission Oil Cooler Duct Installation	175	60
Engine to Transmission Drive Shaft Assembly and Installation	177	61
Tail Rotor Drive Shaft Installation	180	62
Tail Rotor Gearbox Assembly	189	63
Tail Rotor Installation	192	64
Tail Rotor Hub and Blade Assembly	198	65
Miscellaneous Items	202	
VII. Functional Group 06 - Hydraulic System	205	
Flight Controls Hydraulic System Installation	206	66
Flight Controls Hydraulic System Installation	208	67
Solenoid Valve	211	68
Hydraulic System Reservoir Assembly	213	69
Miscellaneous Items	215	

<u>Section</u>	<u>Listing Page</u>	<u>Figure Number</u>
VIII. Functional Group 08 - Instrument and Instrument Panels	217	
Pilot's Standby Compass Installation	218	70
Instrument Piping Installation	220	71
Instrument Panel Installation	222	72
Engine Gage Unit	230	73
IX. Functional Group 09 - Electrical System	233	
Electrical Installation	234	74
Electrical Installation	236	75
Electrical Installation	242	76
Electrical Installation	245	77
Overhead Console Installation	248	78
Miscellaneous Items	250	
X. Functional Group 10 - Fuel System	253	
Fuel System Installation	254	79
Fuel System Installation	257	80
XI. Functional Group 11 - Flight Control System	259	
Collective Controls Installation	260	81
Cyclic Controls Installation	262	82
Cyclic Controls Installation	264	83
Antitorque System Controls Installation	266	84
Antitorque System Controls Installation	268	85
Cyclic and Collective Controls Installation	270	86
Cylinder and Support Assembly	272	87
Miscellaneous Items	274	
XII. Functional Group 12 - Utility System	276	
Ram Air and Defogging Ventilation System Installation	277	88
Bleed Air Heater Installation	279	89
Mixing Valve Assembly	281	90
Miscellaneous Items	283	
XIII. Functional Group 19 - Avionic System	285	
Miscellaneous Items	286	
XIV. Appendix A - Index of Reported Federal Stock Numbers (FSN's) or Part Numbers (PN's)	299	

**SECTION 1**  
**INTRODUCTION**



### 1.1 Purpose

The purpose of this Flat Rate Manual is to provide statistical manhour parameters for the performance of tasks involved at the Organizational, Direct and General Support maintenance levels. A total (Summation of Organizational and Direct Support) maintenance manhour parameter is also given.

This manual specifies a standard hour parameter set for each type maintenance action reported at these levels. It should be understood that these are actual times, and may include some non-productive hours caused by a number of problems which may arise during the performance of maintenance. Also, since ideal conditions do not exist in maintenance, the data presented does not represent the most efficient time possible to perform the work in question. It is intended that this information will provide a basis for:

- a. Evaluating and predicting maintenance requirements.
- b. Comparing the performance of an activity against a recognized standard.

### 1.2 Scope and Limitations

The data provided in this manual is for the OH-58A fleet. The information includes data on the number of manhours required to perform specific maintenance actions.

The data used in the statistical analysis portion of the manual was extracted from DA Form 2407 and 2408-3. All data provided at the Support Level was extracted from DA Form 2407 and all data for the Organizational Level was from DA Form 2408-3. The Total Level combines the

two sources of reporting to provide an overall view of maintenance actions.

This data is limited to the degree of accurate reporting of manhour times by field personnel. Also, as mentioned before, the data does include non-productive hours resulting from a number of factors.

### 1.3 Methods

Data from DA Forms 2407 and 2408-3 were assigned a nine digit Work Unit Code (WUC). The WUC presents a system, subsystem, component and part breakdown of those items upon which a specific maintenance actions had been reported. Also provided was the noun nomenclature of the items, and the manhour frequencies at the Organization and Support Levels; and a total figure set of these frequencies.

The WUC also provided Federal Stock Numbers (FSN's) and Part Numbers (PN's) of those items selected. The basis for selection was made on the following criteria:

- a. Sufficient data to establish manhour parameters.
- b. Valid FSN or PN should accompany the item for the purpose of identification. Exceptions were made in cases where an item could easily be identified on the illustration without the use of PN or FSN.

After selecting those items to be presented in the Flat Rate Manual, the next step was to set high and low limits on the manhour frequencies at all levels of maintenance. The purpose of setting limits on the data was to eliminate some of the more widely scattered manhour frequency samples.

The majority of limitations were made on the basis of an "engineering decision." With this technique, those samples which had an obviously erroneous manhour entry or seemed abnormal in comparison to the other data within the sample were eliminated. An example of this procedure is as follows:

<u>Manhour Value</u>	<u>Frequency</u>
Lower Limit → 1.0	3
1.5	4
2.0	5
Upper limit → 3.0	2
10.0	1

Note that the manhours show an approximately normal distribution up to 3 manhours where it then jumps to 10. The data for this item would be limited at the lower end by 1.0 and the upper end by 3.0. Since there was only one "hit" at the 10 manhour interval, a decision was made that this entry was abnormally high for the maintenance action performed and should not be included to determine statistical parameters.

For those items with large manhour frequencies that could not be limited by the previous method, an alternate method of statistical computation was available. In this method, the mean and standard deviation of the sample is found. From these parameters, one can calculate manhour limits by adding either two or three standard deviations to the mean, depending upon the distribution of the samples and natural breaks in the sequence of values.

Considering only the data between the high and low limits, the following statistical parameters were calculated for each item selected and its corresponding action codes for each level of maintenance (total, organizational, direct and general support);

a. Mean - Average manhours to perform the maintenance actions in question. This parameter is calculated by the following formula:

$$(\text{Mean}) \bar{x} = \frac{\sum fx}{N}$$

where;

$\sum fx$  = Summation of manhour frequency products

$N$  = Number of observations

b. Median - The manhour value which divides the frequency distribution so that one-half of the items are equal to or greater than it. The advantage of this parameter over the mean is that the extreme large or small values do not influence its value as much as they would the mean.

Example: Considering the following distribution:

1, 2, 5, 6, 8, 10, 20

the Median would be (6) since there is an equal number of items on both sides.

c. Mode - Manhour value most frequently encountered for any particular maintenance action. Again, the extreme values of the distribution would not effect this parameter.

Example: Given the following manhour frequency distribution:

<u>Manhour Value</u>	<u>Frequency</u>
1.0	10
Mode → 1.5	25
2.0	14
2.5	11
10.0	4

The Mode would be 1.5 manhours since it is the value with the largest number of encounters.

d. Standard Deviation - This parameter is the measure of the spread of the manhour distribution about the mean. A small standard deviation in comparison to the mean indicates that the average manhour value does not fluctuate greatly among the reported samples, and the mean value is a relatively accurate representation of the time required to perform the given task.

If the standard deviation is large in comparison to the mean, it indicates that the reported manhour values are widely dispersed, and the mean value should be used conservatively when estimating manpower requirements. This latter condition will occur when the manhour distributions are skewed to the right or left of the mean.

The standard deviation is calculated by the following formula:

$$\sigma = \sqrt{\frac{\sum f(x)^2}{N-1} - \frac{(\sum fx)^2}{N(N-1)}}$$

e. Sample Size - Sample Size is the total number of maintenance encounters in each level within the limits set for the item. Since the limits for the Total, Organizational and Support levels do not necessarily

coincide due to the scattered distribution of the manhour frequencies, the sum of the Organizational and Support samples may not equal the sample size of the Total. Though some samples are extremely small, the parameters are used with the intention that the manual will be updated with more data.

Section II presents the data for scheduled maintenance actions (daily and periodic inspections) against End Item Aircraft. Subsequent sections are presented in functional group order. An illustration, pointing out the items selected precedes its corresponding statistical information. Those items which could not be identified from the -34P manual are shown on tables titled Miscellaneous at the end of each functional group.

An index arranged in Federal Stock Number (FSN) or Part Number (PN) sequence is provided in Appendix A for ease in locating a particular item's parameters.

SECTION II  
SCHEDULED MAINTENANCE ACTIONS AGAINST END ITEM AIRCRAFT  
DAILY AND PERIODIC

OH-58A FLAT RATE DATA  
 SCHEDULED MAINTENANCE ACTIONS AGAINST END ITEM AIRCRAFT  
 DAILY AND PERIODIC

	MAINT LEVEL	MEAN	MEDIAN	MODE	STD. DEV.	SAMPLE SIZE
DAILY	TOTAL	2.166	2.000	2.000	0.908	51273
	ORG.	2.166	2.000	2.000	0.907	51138
	SUPP.	2.192	2.000	2.000	1.157	135
PERIODIC	TOTAL	9.245	7.500	8.000	7.860	303
	ORG.	8.973	7.000	8.000	7.742	288
	SUPP.	27.989	28.000	28.000	0.434	20013



SECTION III  
FUNCTIONAL GROUP 01  
AIRFRAME SYSTEM



OH-53A FLAT RATE DATA  
 FUNCTIONAL GROUP 01  
 REFERENCE FIGURE I

ITEM NO.	NOMENCLATURE	FSN/PN	ACTION CODE	MAINT. LEVEL	MEAN	MEDIAN	MODE	STD. DEV.	SAMPLE SIZE
1	Towing Eye	16202296666	Replace	Total	0.7	0.5	0.5	0.397	27
				Org.	0.7	0.5	0.5	0.323	18
				Supp.	0.9	1.0	1.0	0.511	9
2	Engine Cover Assy	17301575476 17301789230	Replace	Total	0.8	0.5	0.5	0.605	79
				Org.	0.8	0.5	0.5	0.615	76
				Supp.	*	*	*	*	*
3	Main Rotor Tiedown Cover Assy	17302477236	Replace	Total	0.5	0.5	0.5	0.269	134
				Org.	0.5	0.5	0.5	0.266	128
				Supp.	*	*	*	*	*
				Total					
				Org.					
				Supp.					
				Total					
				Org.					
				Supp.					
				Total					
				Org.					
				Supp.					
				Total					
				Org.					
				Supp.					

\*insufficient data

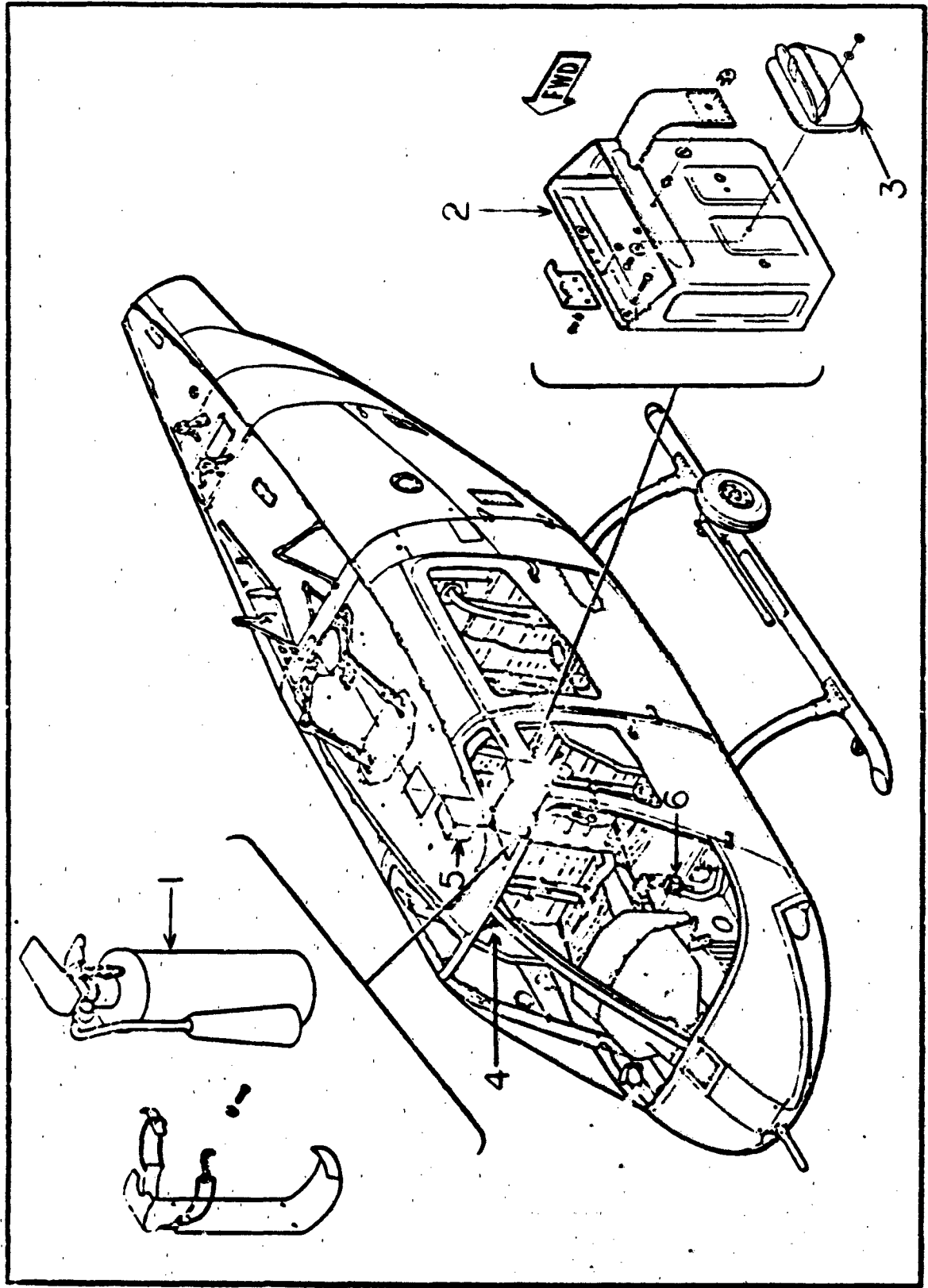


Figure 3 Auxiliary Installations

OH-53A FLAT RATE DATA  
 FUNCTIONAL GROUP 01  
 REFERENCE FIGURE 2

ITEM NO.	NOMENCLATURE	FSN/PN	ACTION CODE	MAINT. LEVEL	MEAN	MEDIAN	MODE	STD. DEV.	SAMPLE SIZE
1	Fire Extinguisher	42105550837	Replace	Total	0.7	0.5	0.5	0.442	81
				Org.	0.7	0.5	0.5	0.455	74
				Supp.	*	*	*	*	*
			Repair	Total	0.9	1.0	1.0	0.440	11
				Org.	0.9	1.0	1.0	0.440	11
				Supp.	*	*	*	*	*
			Initial Inspection	Total	0.9	1.0	1.0	0.578	41
				Org. Supp.	0.9	1.0	1.0	0.585	40
			Tested	Total	0.9	0.5	0.5	0.586	32
				Org.	0.9	0.5	0.5	0.561	31
Supp.	*	*		*	*	*			
Remove and Install	Total	0.5	0.5	0.5	0.333	176			
	Org.	0.5	0.5	0.5	0.337	172			
	Supp.	*	*	*	*	*			
Checked	Total	0.8	0.7	0.7	0.402	63			
	Org.	0.8	0.7	0.7	0.411	59			
	Supp.	*	*	*	*	*			
Remove	Total	0.5	0.5	0.5	0.309	21			
	Org.	0.5	0.5	0.5	0.295	20			
	Supp.	*	*	*	*	*			
Install	Total	0.5	0.5	0.5	0.322	25			
	Org.	0.5	0.5	0.5	0.273	21			
	Supp.	*	*	*	*	*			
2	Map Case Assy	16801287489	Replace	Total	0.8	1.0	1.0	0.392	19
				Org.	0.8	1.0	1.0	0.392	19
				Supp.	*	*	*	*	*

Insufficient Data

OH-53A FLAT RATE DATA  
 FUNCTIONAL GROUP 01  
 REFERENCE FIGURE 2

ITEM NO.	NOMENCLATURE	FEN/PN	ACTION CODE	MAINT. LEVEL	MEAN	MEDIAN	MODE	STD. DEV.	SAMPLE SIZE
	Map Case Assy (Cont'd)		Remove and Install	Total	0.8	0.5	0.5	0.376	9
				Org.	0.7*	0.5*	0.5*	0.404*	7*
				Supp.	0.3	0.3	0.5	0.158	5
			Remove	Total	0.5	0.5	0.5	0.000	2
				Org.	0.2	0.2	0.2	0.071	3
				Supp.	2.3	2.0	2.0	0.518	6
			Install	Total	2.3*	2.0*	2.0*	0.518*	6*
				Org.	0.8	0.5	1.0	0.634	23
				Supp.	0.8*	0.5*	1.0*	0.634*	23*
3	Ash Tray	16807835056	Replace	Total	0.6	0.5	0.5	0.248	7
				Org.	0.6*	0.5*	0.5*	0.248*	7*
				Supp.	1.0	1.0	1.0	0.433	9
			Remove and Install	Total	0.9*	1.0*	1.0*	0.233*	8*
				Org.	1.0	1.0	1.0	0.433	9
				Supp.	0.9*	1.0*	1.0*	0.233*	8*
			Replace	Total	0.6	0.5	0.5	0.363	59
				Org.	0.6*	0.5*	0.5*	0.352*	56*
				Supp.	0.5	0.5	0.5	0.356	11
4	Thermometer	66855279322 66856635237 66855268573 66855268574 66855575316	Replace	Total	0.5	0.5	0.5	0.38*	9
				Org.	0.5*	0.5*	0.5*	0.38*	9*
				Supp.	0.5	0.5	0.5	0.38*	9*
5	First Aid Kit	65459196650	Repair	Total	0.5	0.5	0.5	0.356	11
				Org.	0.5*	0.5*	0.5*	0.38*	9*
				Supp.	0.5	0.5	0.5	0.356	11

\*Insufficient Data

OH-53A FLAT RATE DATA  
FUNCTIONAL GROUP 01  
REFERENCE FIGURE 2

ITEM NO.	NOMENCLATURE	FSN/PN	ACTION CODE	MAINT. LEVEL	MEAN	MEDIAN	MODE	STD. DEV.	SAMPLE SIZE
	First Aid Kit (Cont'd)		Service	Total	0.9	1.0	1.0	0.488	129
				Org.	0.8	0.7	1.0	0.455	111
				Supp.	1.3	1.5	1.5	0.433	18
			Initial Inspection	Total	0.9	0.9	0.5	0.532	19
				Org.	0.9	0.9	0.5	0.532	19
				Supp.	*	*	*	*	*
			Final Inspection	Total	0.5	0.5	0.5	0.290	6
				Org.	0.5	0.5	0.5	0.290	6
				Supp.	*	*	*	*	*
			Remove and Install	Total	0.5	0.5	0.5	0.272	118
				Org.	0.5	0.5	0.5	0.277	114
				Supp.	*	*	*	*	*
Checked	Total	0.9	0.5	1.0	0.572	14			
	Org.	0.9	1.0	1.0	0.584	13			
	Supp.	*	*	*	*	*			
Remove	Total	0.5	0.5	0.5	0.246	14			
	Org.	0.4	0.5	0.5	0.198	13			
	Supp.	*	*	*	*	*			
Install	Total	0.5	0.5	0.5	0.197	22			
	Org.	0.4	0.5	0.5	0.160	17			
	Supp.	*	*	*	*	*			
6	Ash Tray	16801791394	Replace	Total	0.6	0.5	0.5	0.421	17
				Org.	0.6	0.5	0.5	0.421	17
				Supp.	*	*	*	*	*
			Service	Total	0.5	0.3	0.3	0.306	9
				Org.	0.3	0.3	0.3	0.122	7
				Supp.	*	*	*	*	*

\*Insufficient Data

OH-53A FLAT RATE DATA  
 FUNCTIONAL GROUP 01  
 REFERENCE FIGURE 2

ITEM NO.	NOMENCLATURE	FSN/PN	ACTION CODE	MAINT. LEVEL	MEAN	MEDIAN	MODE	STD. DEV.	SAMPLE SIZE
	Ash Tray (Cont'd)		Remove and Install	Total Org. Supp.	0.3 0.3 *	0.5 0.5 *	0.5 0.5 *	0.203 0.203 *	9 9 *
				Total Org. Supp.					
				Total Org. Supp.					
				Total Org. Supp.					
				Total Org. Supp.					
				Total Org. Supp.					
				Total Org. Supp.					
				Total Org. Supp.					
				Total Org. Supp.					
				Total Org. Supp.					
				Total Org. Supp.					
				Total Org. Supp.					
				Total Org. Supp.					
				Total Org. Supp.					
				Total Org. Supp.					
				Total Org. Supp.					

\*Insufficient Data



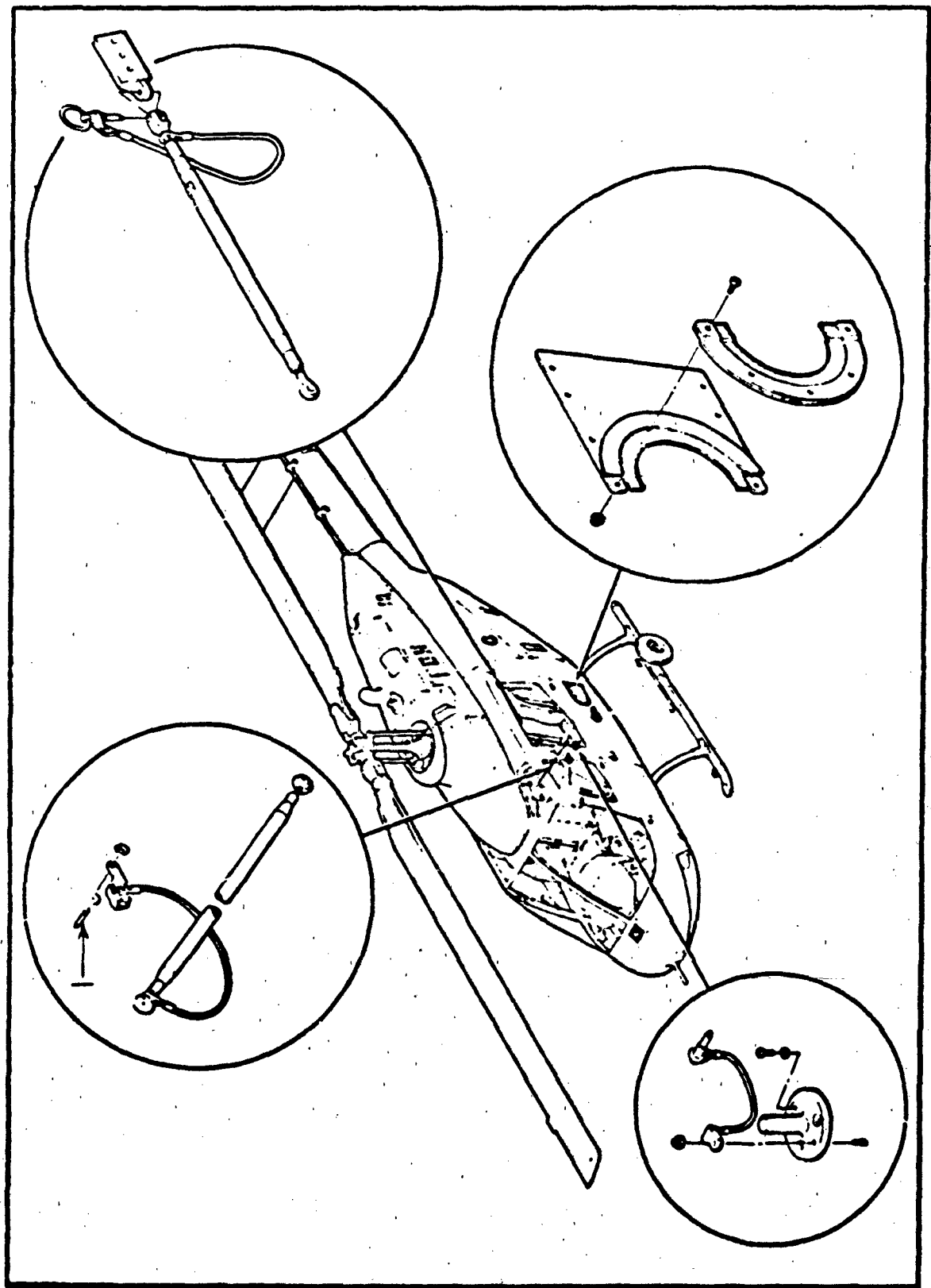
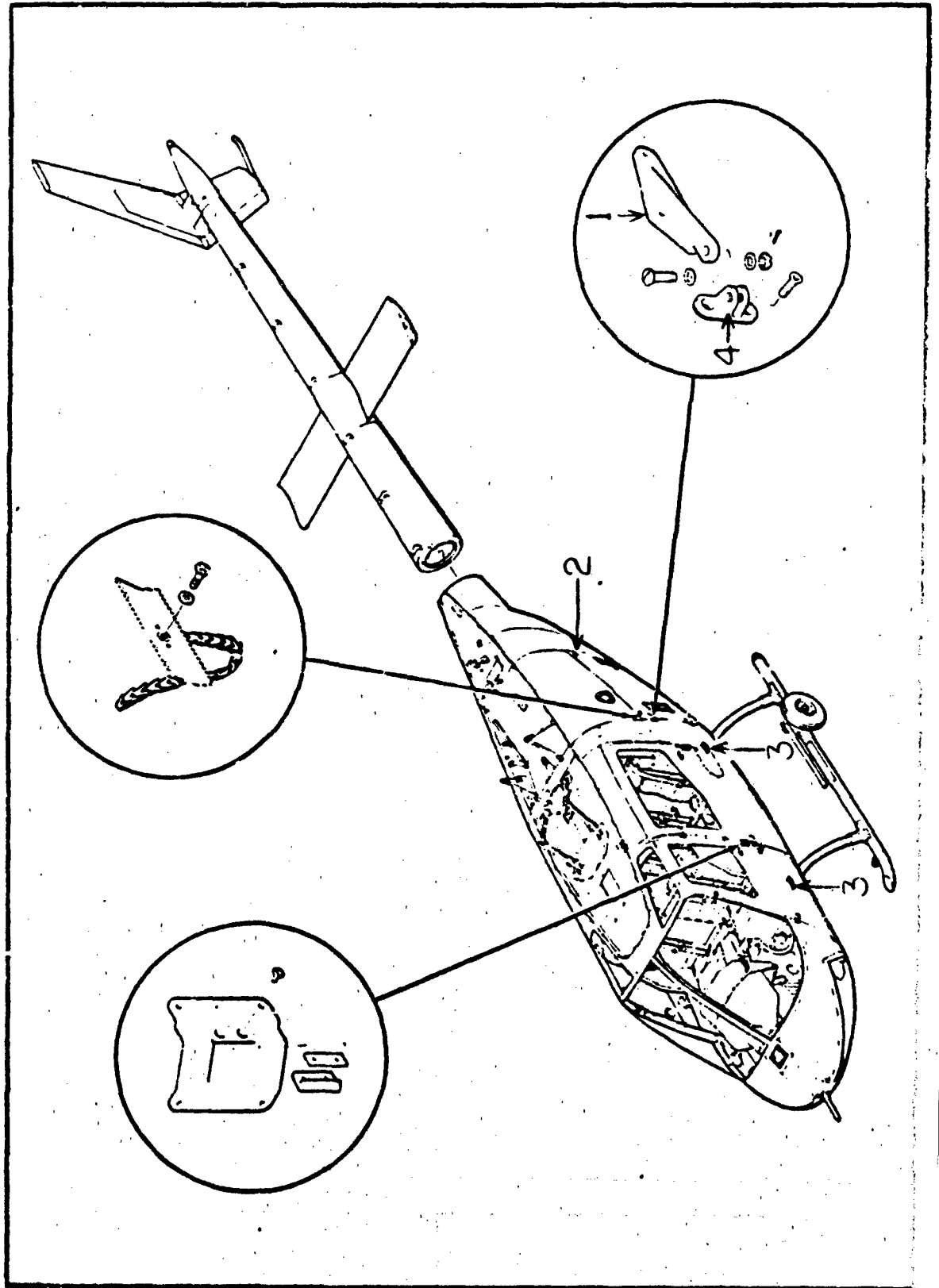


Figure 3 Armament Provisions Installations

OH-53A FLAT RATE DATA  
 FUNCTIONAL GROUP 01  
 REFERENCE FIGURE 3

ITEM NO.	NOMENCLATURE	FSN/PN	ACTION CODE	MAINT. LEVEL	MEAN	MEDIAN	MODE	STL. DEV.	SAMPLE SIZE
1	Pin	53151356736	Replace	Total Org. Supp.	0.8 0.6 *	0.5 0.5 *	0.5 0.5 *	0.546 0.437 *	35 30 *
				Total Org. Supp.					
				Total Org. Supp.					
				Total Org. Supp.					
				Total Org. Supp.					
				Total Org. Supp.					
				Total Org. Supp.					
				Total Org. Supp.					
				Total Org. Supp.					
				Total Org. Supp.					

\*Insufficient Data



OH-53A FLAT RATE DATA  
 FUNCTIONAL GROUP 01  
 REFERENCE FIGURE 4

ITEM NO.	NOMENCLATURE	FSN/PN	ACTION CODE	MAINT. LEVEL	MEAN	MEDIAN	MODE	STD. DEV.	SAMPLE SIZE		
1	Door Hinge	53401353044 53401365028 53401316421	Replace	Total	1.5	1.0	1.0	1.276	35		
				Org.	0.7	0.5	1.0	0.397	20		
				Supp.	2.4	1.5	4.0	1.238	14		
			Adjust	Total	0.9	0.5	0.5	0.585	6		
				Org.	1.1	1.0	1.0	0.630	4		
				Supp.	*	*	*	*	*		
2	Latch	53401317337	Repair	Total	2.4	2.1	1.0	1.301	78		
				Org.	1.3	1.0	1.0	0.792	17		
				Supp.	2.7	3.0	4.0	1.255	59		
			Install	Total	2.2	1.5	1.5	1.052	10		
				Org.	*	*	*	*	*		
				Supp.	1.9	1.5	3.0	0.808	7		
3	Strap Assy	53404206021 53404206022	Replace	Total	0.9	1.0	1.0	0.524	7		
				Org.	0.8	1.0	1.0	0.250	5		
				Supp.	*	*	*	*	*		
			Replace	Total	1.5	1.0	1.0	1.032	57		
				Org.	1.4	1.0	1.0	0.947	42		
				Supp.	*	*	*	*	*		
4	Door Clevis	15601241800 15601269146	Replace	Total	1.0	0.5	0.5	0.707	7		
				Org.	0.6	0.5	0.5	0.224	5		
				Supp.	*	*	*	*	*		
			Total	Total							
				Org.							
				Supp.							

\*Insufficient Data

OH-53A FLAT RATE DATA  
 FUNCTIONAL GROUP 01  
 REFERENCE FIGURE 4

ITEM NO.	NOMENCLATURE	FSN/PN	ACTION CODE	MAINT. LEVEL	MEAN	MEDIAN	MODE	STD. DEV.	SAMPLE SIZE
--	Door	15601275704	Replace	Total	2.6	1.5	4.0	2.039	21
				Org.	1.2	1.0	1.0	1.020	10
				Supp.	3.8	4.0	4.0	1.953	11
			Adjust	Total	1.8	2.0	2.0	0.360	19
				Org.	1.9	2.0	2.0	0.625	18
				Supp.	*	*	*	*	*
			Repair	Total	2.0	2.0	2.0	1.369	136
				Org.	1.1	1.0	0.5	0.710	67
				Supp.	2.3	2.0	2.0	1.066	51
			Service	Total	1.0	1.0	0.5	0.693	24
				Org.	0.8	0.5	0.5	0.463	19
				Supp.	*	*	*	*	*
Final Inspection	Total	0.3	0.2	0.2	0.163	7			
	Org.	*	*	*	*	*			
	Supp.	0.3	0.2	0.2	0.163	7			
Remove and Install	Total	0.8	0.5	0.5	0.455	56			
	Org.	0.7	0.5	0.5	0.413	48			
	Supp.	1.1	1.0	1.0	0.624	8			
Remove	Total	0.6	0.5	0.5	0.300	12			
	Org.	0.6	0.5	0.5	0.300	12			
	Supp.	*	*	*	*	*			
Install	Total	0.9	0.5	0.5	0.709	29			
	Org.	0.7	0.5	0.5	0.438	22			
	Supp.	*	*	*	*	*			
				Total					
				Org.					
				Supp.					

\*Insufficient Data

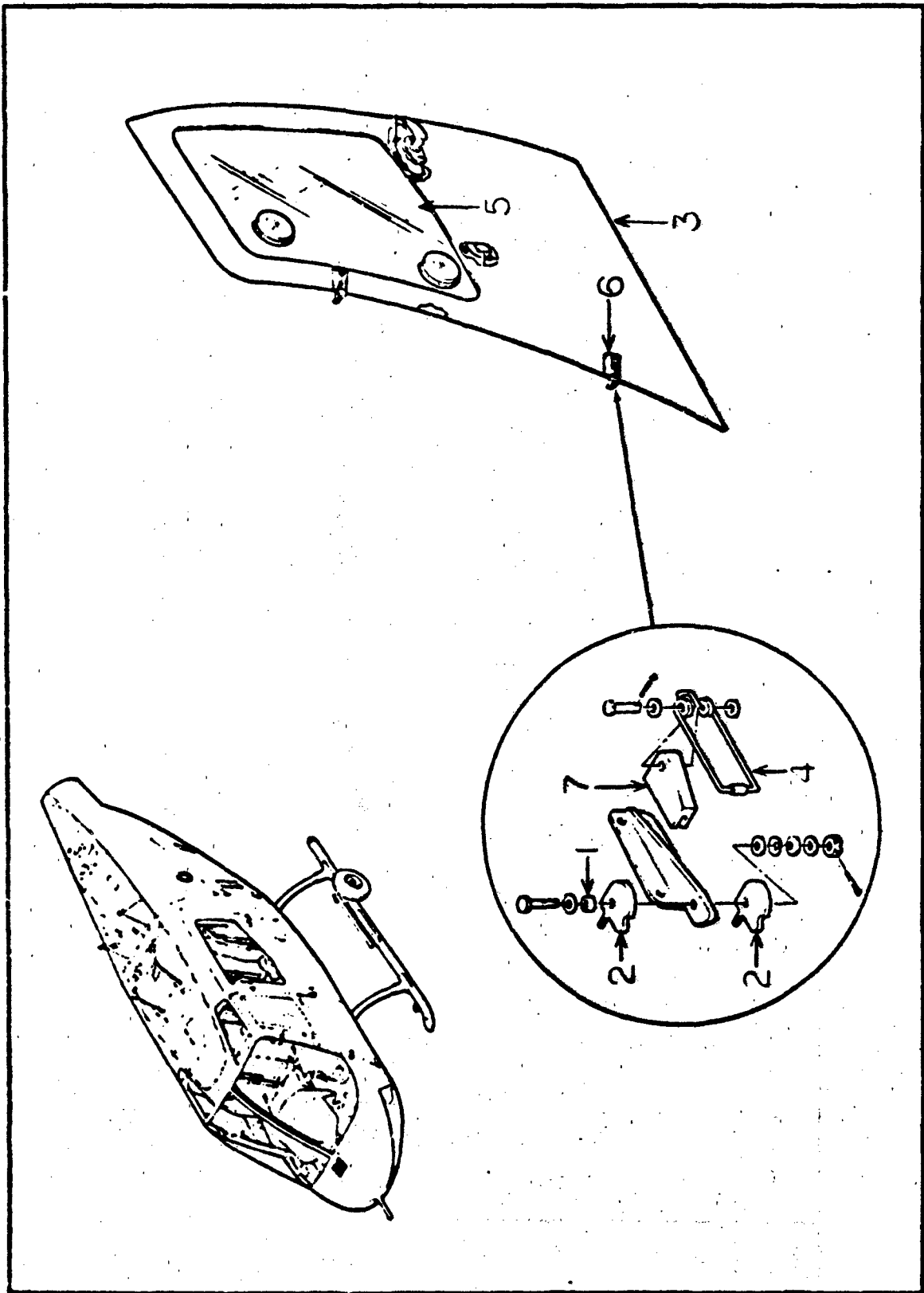


Figure 5 Crew Door Installation

OH-53A FLAT RATE DATA  
FUNCTIONAL GROUP 01  
REFERENCE FIGURE 5

ITEM NO.	NOMENCLATURE	FSN/PN	ACTION CODE	MAINT. LEVEL	MEAN	MEDIAN	MODE	STD. DEV.	SAMPLE SIZE
1	Sleeve Spacer	53405419955	Replace	Total	1.1	1.0	0.5	0.637	11
				Org.	0.8	0.5	0.5	0.394	7
				Supp.	1.8	2.0	2.0	0.503	4
2	Plate	15601337476	Replace	Total	0.9	1.0	1.0	0.363	20
				Org.	0.9	1.0	1.0	0.363	20
				Supp.	*	*	*	*	*
3	Crew Door Assy	15601264423 15601264424 15601345205	Replace	Total	1.8	1.0	1.0	1.472	91
				Org.	1.4	1.0	1.0	1.135	71
				Supp.	3.2	3.0	5.0	1.673	20
			Adjust	Total	0.7	0.5	0.5	0.421	9
				Org.	0.7	0.5	0.3	0.444	8
				Supp.	*	*	*	*	*
			Repair	Total	2.1	1.5	1.0	1.469	87
				Org.	1.0	1.0	1.0	0.561	29
				Supp.	2.6	2.0	1.0	1.480	57
Service	Total	0.7	0.5	0.5	0.437	16			
	Org.	0.7	0.5	0.5	0.437	16			
	Supp.	*	*	*	*	*			
Remove and Install	Total	0.7	0.5	0.5	0.466	154			
	Org.	0.6	0.5	0.5	0.413	129			
	Supp.	1.1	1.0	0.5	0.544	25			
Remove	Total	0.6	0.5	0.5	0.384	28			
	Org.	0.5	0.5	0.5	0.252	26			
	Supp.	*	*	*	*	*			
Install	Total	1.0	0.5	1.0	1.174	30			
	Org.	0.7	0.5	1.0	0.412	26			
	Supp.	*	*	*	*	*			

\*Insufficient Data

OH-53A FLAT RATE DATA

FUNCTIONAL GROUP 01  
REFERENCE FIGURE 5

ITEM NO.	NOMENCLATURE	FSN/PN	ACTION CODE	MAINT. LEVEL	MEAN	MEDIAN	MODE	STD. DEV.	SAMPLE SIZE	
4	Spring	53601760924	Replace	Total	1.2	1.0	1.0	0.687	82	
				Org.	1.1	1.0	1.0	0.670	68	
				Supp.	1.5	1.0	1.0	0.721	14	
5	Window	15601264422	Replace	Total	5.1	4.5	6.0	3.079	62	
				Org.	4.2	4.0	4.0	2.287	25	
				Supp.	5.3	5.0	5.0	3.138	41	
6	Hinge	53401331249	Replace	Total	1.8	1.5	1.5	1.079	22	
				Org.	1.2	1.0	1.5	0.530	8	
				Supp.	2.0	1.5	1.5	1.080	13	
7	Adapter	15601760972	Replace	Total	1.4	1.0	1.0	0.951	48	
				Org.	1.2	1.0	0.5	0.845	36	
				Supp.	1.7	1.0	1.0	0.905	11	
				Total						
				Org.						
				Supp.						
				Total						
				Org.						
				Supp.						
				Total						
				Org.						
				Supp.						
				Total						
				Org.						
				Supp.						
				Total						
				Org.						
				Supp.						
				Total						
				Org.						
				Supp.						
				Total						
				Org.						
				Supp.						

Insufficient Data



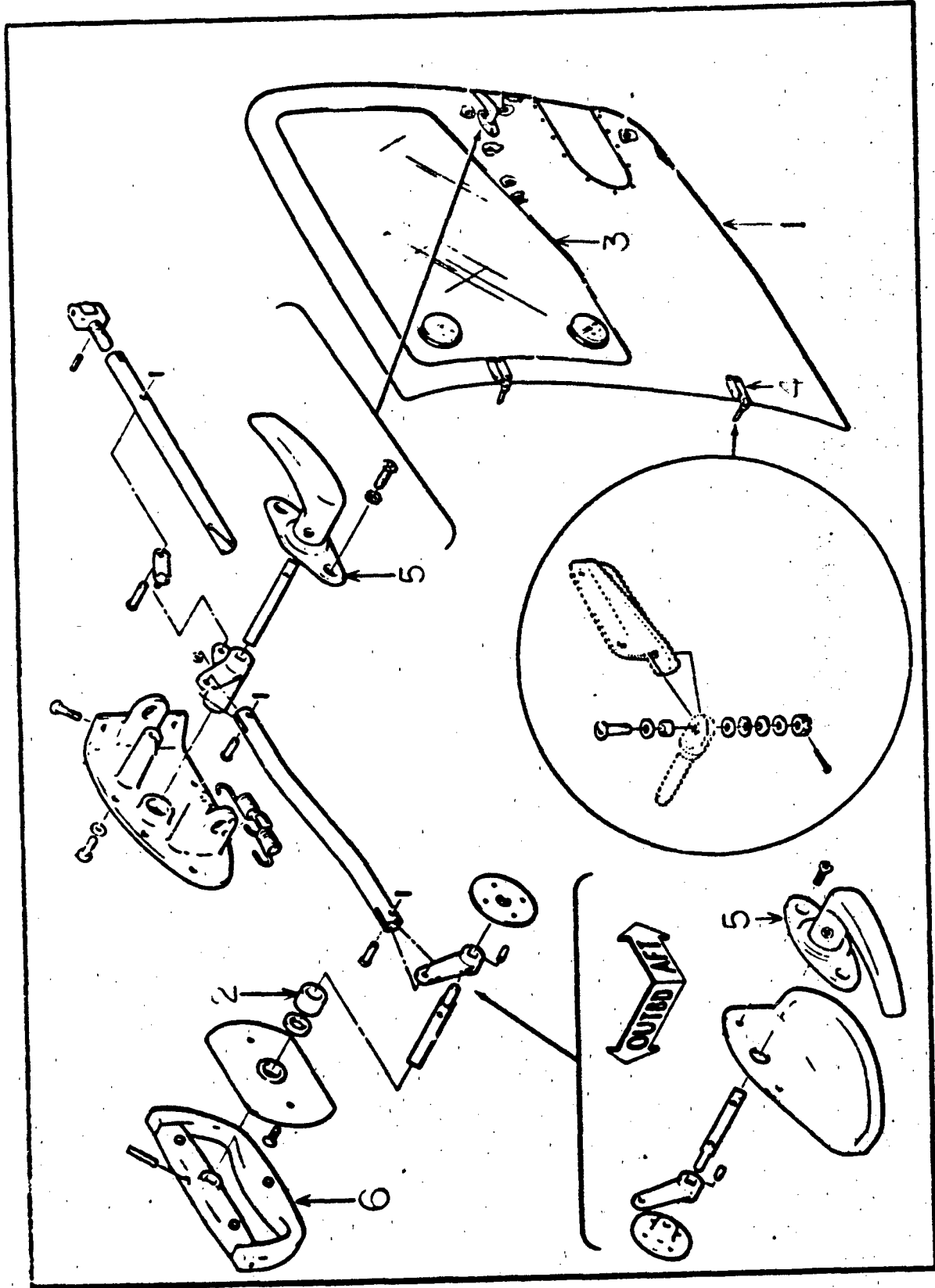


Figure 6 Passenger Door Installation

OH-53A FLAT RATE DATA  
 FUNCTIONAL GROUP 01  
 REFERENCE FIGURE 6

ITEM NO.	NOMENCLATURE	FSN/PN	ACTION CODE	MAINT. LEVEL	MEAN	MEDIAN	MODE	STD. DEV.	SAMPLE SIZE
1	Passenger Door Assy	15601296207 15601814152	Replace	Total	2.4	1.0	1.0	2.505	122
				Org.	1.5	1.0	1.0	1.198	92
				Supp.	4.8	5.0	5.0	3.104	27
			Repair	Total	2.4	2.0	1.0	1.719	82
				Org.	1.0	1.0	0.5	0.736	22
				Supp.	2.8	3.0	1.0	1.706	59
Remove and Install	Total	0.9	1.0	1.0	0.564	54			
	Org.	0.6	0.5	1.0	0.357	33			
	Supp.	1.3	1.1	1.0	0.577	21			
2	Spacer	16801287396 53651806981	Remove	Total	1.0	0.5	2.0	0.813	9
				Org.	0.7	0.5	0.5	0.651	7
				Supp.	*	*	*	*	*
			Install	Total	0.9	0.5	0.5	0.962	9
				Org.	0.5	0.5	0.5	0.289	7
				Supp.	*	*	*	*	*
3	Window	15601281707 15601324985	Replace	Total	0.7	0.5	0.5	0.274	5
				Org.	0.6	0.5	0.5	0.252	4
				Supp.	*	*	*	*	*
			Replace	Total	5.1	5.0	4.0	2.710	40
				Org.	*	*	*	*	*
				Supp.	5.5	5.0	4.0	2.668	29
4	Hinge	53401306010 53401312045 53401312046	Repair	Total	1.6	2.0	2.0	0.853	7
				Org.	1.5	2.0	2.0	0.707	5
				Supp.	*	*	*	*	*
			Replace	Total	1.5	1.0	1.0	0.694	23
				Org.	*	*	*	*	*
				Supp.	1.6	1.0	1.0	0.725	20

\*Insufficient Data

OH-53A FLAT RATE DATA  
 FUNCTIONAL GROUP 01  
 REFERENCE FIGURE 6

ITEM NO.	NOMENCLATURE	FSN/PN	ACTION CODE	MAINT. LEVEL	MEAN	MEDIAN	MODE	STD. DEV.	SAMPLE SIZE
	Hinge (Cont'd)		Repair	Total Org. Supp.	1.5 * 1.5	1.0 * 1.0	1.0 * 1.0	0.632 * 0.707	6 * 5
5	Escutcheon Assy	53403350033	Replace	Total Org. Supp.	0.8 * 0.8	0.5 * 0.5	0.5 * 0.5	0.501 * 0.501	9 * 9
6	Handle	53401380436 53402518729	Replace	Total Org. Supp.	1.2 * 1.2	1.0 * 1.0	1.0 * 1.0	0.649 * 0.647	70 * 66
			Repair	Total Org. Supp.	0.8 * 0.8	1.0 * 0.5	1.0 * 1.0	0.274 * 0.294	5 * 4
				Total Org. Supp.					
				Total Org. Supp.					
				Total Org. Supp.					
				Total Org. Supp.					

\*Insufficient Data

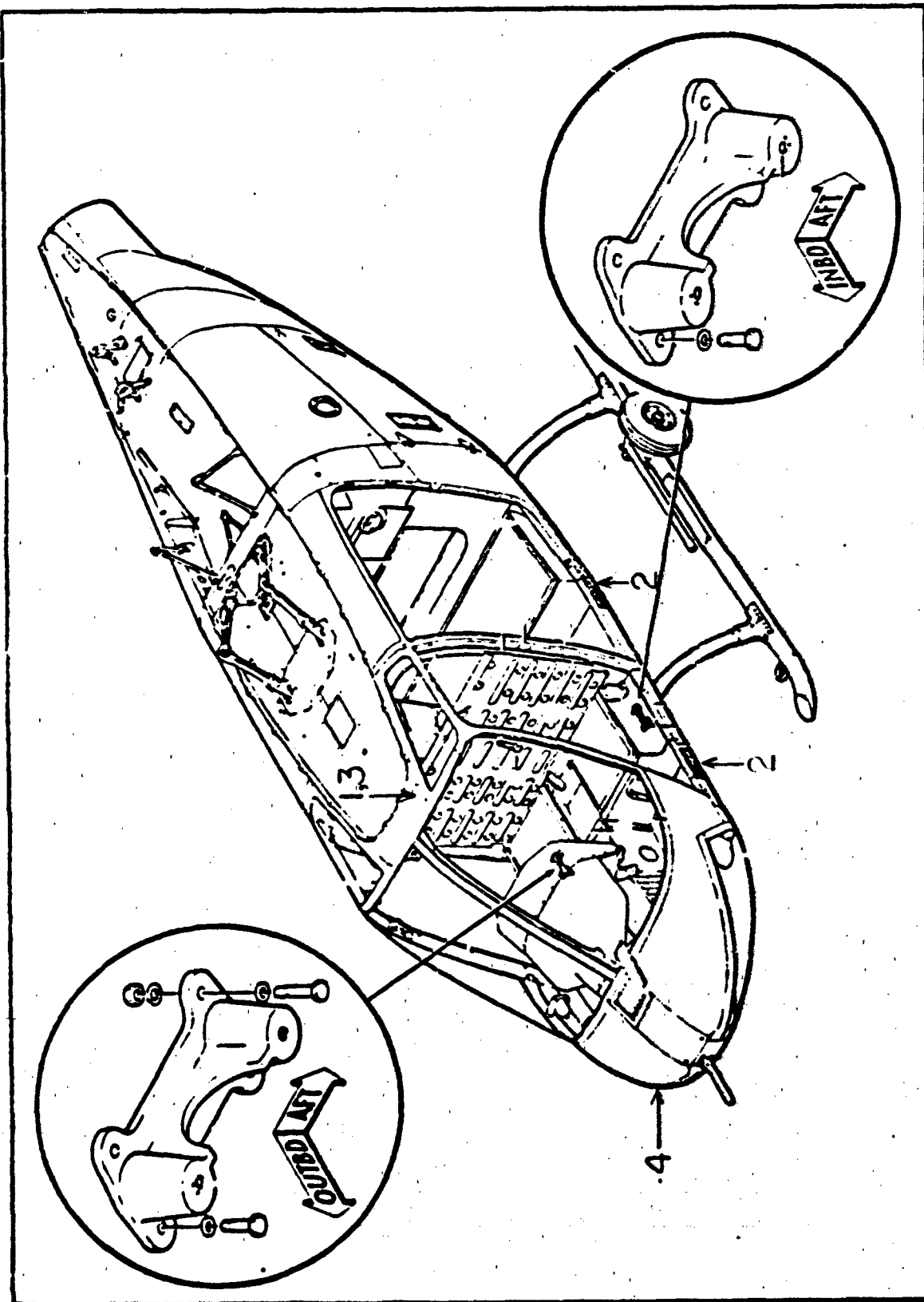


Figure 7 Fuselage Structure Assembly

OH-53A FLAT RATE DATA  
FUNCTIONAL GROUP 01  
REFERENCE FIGURE 7

ITEM NO.	NOMENCLATURE	FSN/PN	ACTION CODE	MAINT. LEVEL	MEAN	MEDIAN	MODE	STD. DEV.	SAMPLE SIZE	
1	Window	15601685601 15601685597	Replace	Total	1.4	1.0	1.0	0.869	18	
				Org.	1.1	1.0	1.0	0.678	13	
				Supp.	*	*	*	*	*	
			Repair	Total	1.7	1.0	1.0	1.194	47	
				Org.	1.8	1.0	0.5	1.292	33	
				Supp.	*	*	*	*	*	
	Scuff Plate	15601685392 15601685393 15601685394 15601685395	Service	Total	1.1	1.0	1.0	0.454	339	
				Org.	1.1	1.0	1.0	0.456	334	
				Supp.	*	*	*	*	*	
			Repair	Total	1.7	2.0	2.0	1.063	17	
				Org.	*	*	*	*	*	
				Supp.	1.9	2.0	2.0	1.061	15	
	Sight Retainer	15601685598 15601685600 15605223879	Replace	Total	1.1	1.0	1.0	0.248	7	
				Org.	1.0	1.0	1.0	0.000	4	
				Supp.	*	*	*	*	*	
4	Nose Installation	2060320051 2060320053 2060320055	Repair	Total	2.1	1.5	1.0	1.253	17	
				Org.	1.1	1.0	1.0	0.548	5	
				Supp.	1.8	1.5	1.0	0.884	8	
				Total						
				Org.						
				Supp.						
				Total						
				Org.						
				Supp.						

\*Insufficient Data

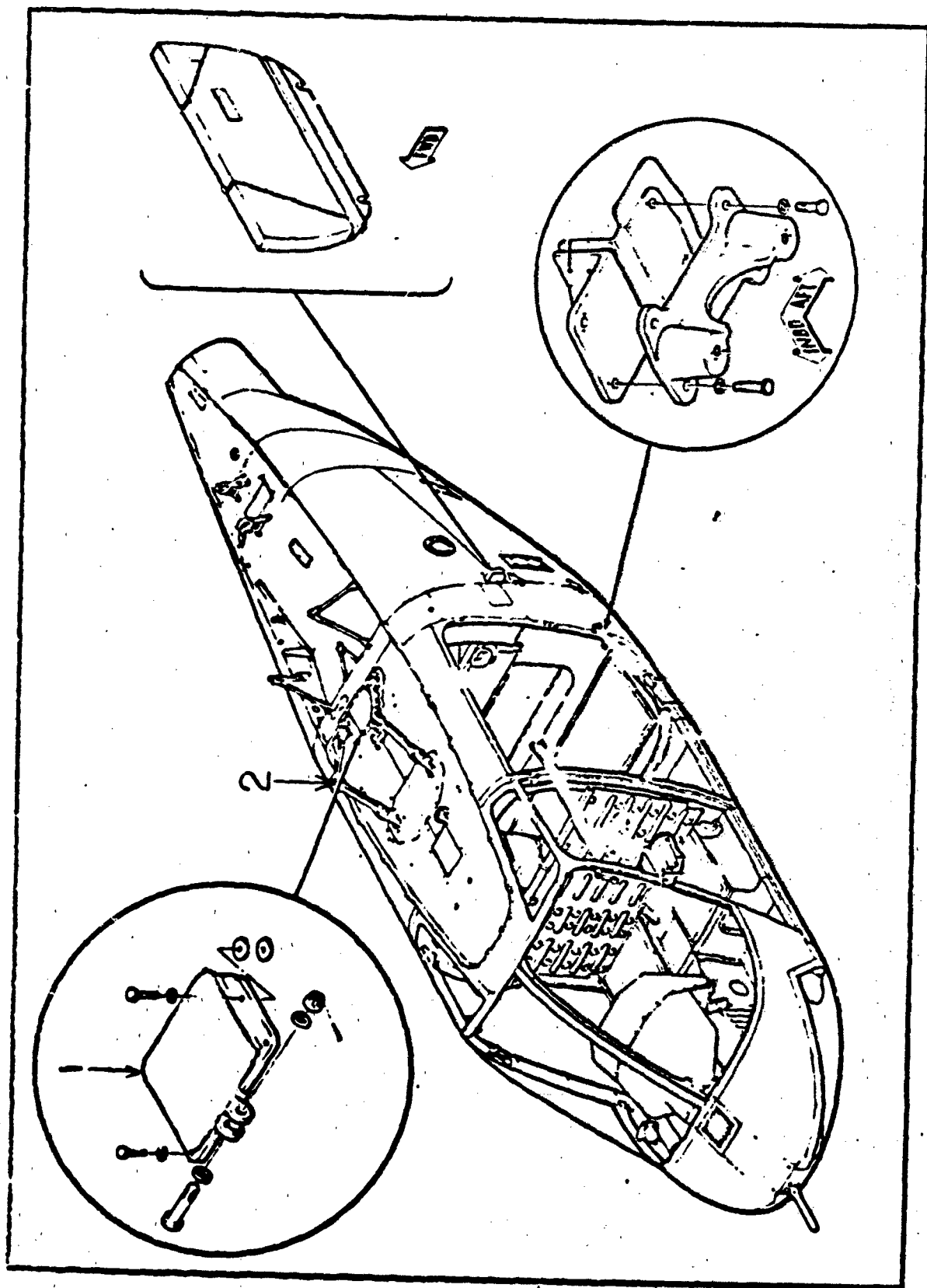


Figure 8 Fuselage Structure Assembly

OH-53A FLAT RATE DATA  
 FUNCTIONAL GROUP 01  
 REFERENCE FIGURE 8

ITEM NO.	NOMENCLATURE	FSN/PN	ACTION CODE	MAINT. LEVEL	MEAN	MEDIAN	MODE	STD. DEV.	SAMPLE SIZE
1	Mount Assy	15602281920	Replace	Total	4.0	4.0	2.0	2.985	103
				Org.	2.2	2.0	2.0	1.288	28
				Supp.	4.7	5.0	5.0	2.248	59
2	Pylon Support Installation	2060315073 2060315074	Final Inspection	Total	0.3	0.3	0.3	0.000	10
				Org.	*	*	*	*	*
				Supp.	0.3	0.3	0.3	0.000	10
				Total					
				Org.					
				Supp.					
				Total					
				Org.					
				Supp.					
				Total					
				Org.					
				Supp.					

\*Insufficient Data

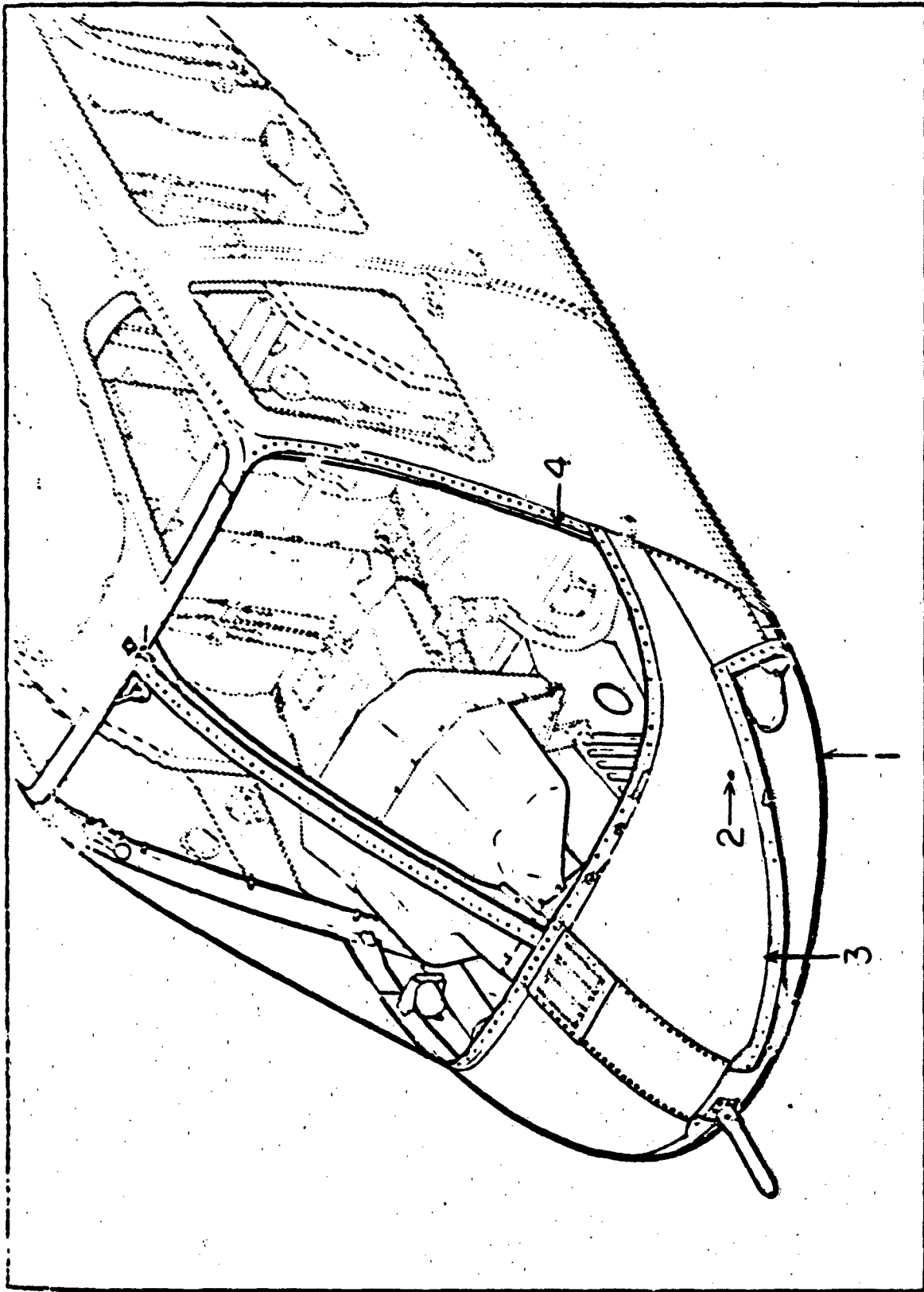


Figure 9 Nose Installation



OH-53A FLAT RATE DATA  
 FUNCTIONAL GROUP 01  
 REFERENCE FIGURE 9

ITEM NO.	NOMENCLATURE	FSN/PN	ACTION CODE	MAINT. LEVEL	MEAN	MEDIAN	MODE	STD. DEV.	SAMPLE SIZE
1	Window	15601281713 15601281714	Replace	Total	5.9	6.0	4.0	2.674	21
				Org.	*	*	*	*	*
				Supp.	6.1	6.0	6.0	2.722	16
2	Plug Button	53401343354 5340205253	Replace	Total	0.8	0.5	0.5	0.602	41
				Org.	0.7	0.5	0.5	0.516	34
				Supp.	1.3	1.0	1.0	0.756	7
3	Skin Assy	15601275703	Repair	Total	2.5	2.0	2.0	1.596	39
				Org.	2.7	2.0	1.5	1.586	11
				Supp.	2.5	2.0	2.0	1.627	28
4	Windshield Assy	15601273181	Final Inspection	Total	0.3	0.3	0.3	0.122	5
				Org.	*	*	*	*	*
				Supp.	0.3	0.3	0.3	0.122	5
4	Windshield Assy	15601273181	Replace	Total	7.0	7.5	8.0	3.305	31
				Org.	6.5	8.0	8.0	3.533	14
				Supp.	8.1	7.5	7.5	1.315	12
4	Windshield Assy	15601273181	Repair	Total	1.2	1.0	0.5	0.719	25
				Org.	0.9	0.5	0.5	0.553	16
				Supp.	1.7	1.5	2.5	0.712	9
4	Windshield Assy	15601273181	Service	Total	1.3	1.0	1.0	0.954	48
				Org.	1.2	1.0	1.0	0.938	39
				Supp.	1.0	1.0	1.0	0.421	8

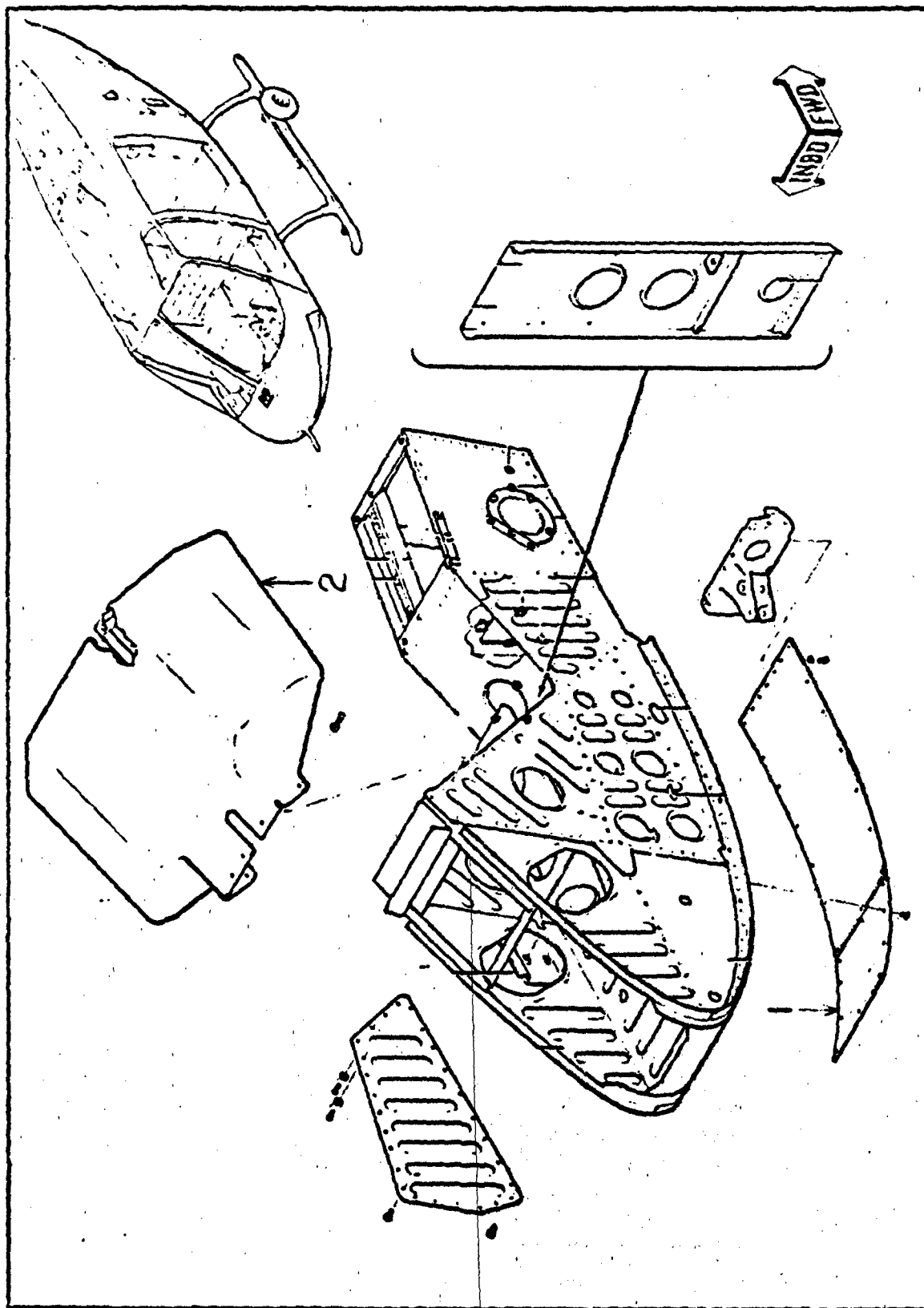


Figure 10 Console Installation

OH-53A FLAT RATE DATA  
 FUNCTIONAL GROUP 01  
 REFERENCE FIGURE 10

ITEM NO.	NOMENCLATURE	FSN/PN	ACTION CODE	MAINT. LEVEL	MEAN	MEDIAN	MODE	STD. DEV.	SAMPLE SIZE	
1	Glass	56201797284	Replace	Total	1.3	1.0	1.0	0.702	32	
				Org.	1.2	1.0	1.0	0.653	27	
				Supp.	*	*	*	*	*	
2	Shroud Assy	15601241852	Remove and Install	Total	1.8	2.0	2.0	0.447	5	
				Org.	1.8	2.0	2.0	0.447	5	
				Supp.	*	*	*	*	*	
				Total						
				Org.						
				Supp.						
				Total						
				Org.						
				Supp.						
				Total						
				Org.						
				Supp.						

\*Insufficient Data

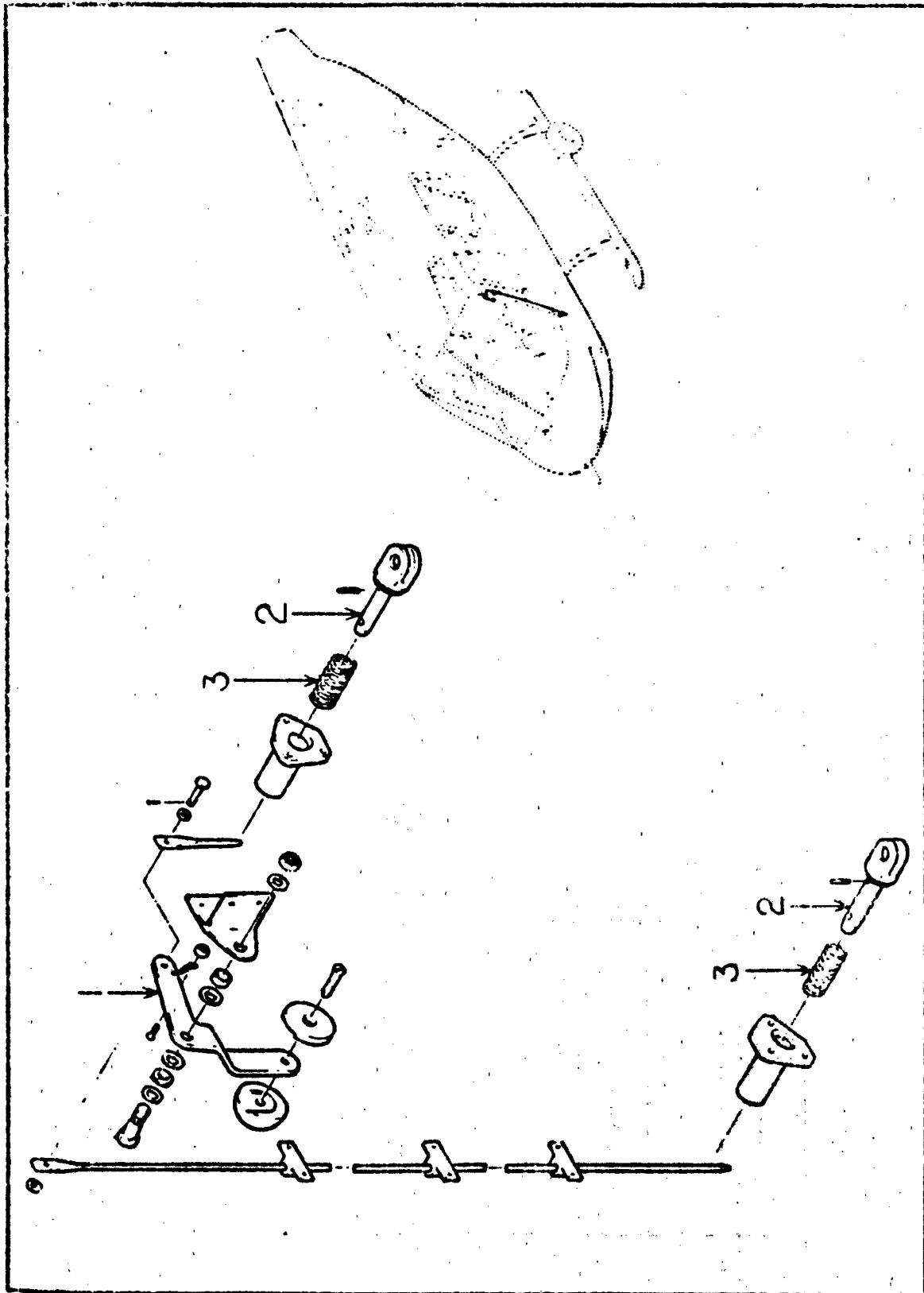


Figure 2- Crew Door Jettison Installation

OH-53A FLAT RATE DATA  
FUNCTIONAL GROUP 01  
REFERENCE FIGURE 11

ITEM NO.	NOMENCLATURE	FSN/PN	ACTION CODE	MAINT. LEVEL	MEAN	MEDIAN	MODE	STD. DEV.	SAMPLE SIZE
1	Door Handle	16802288903	Replace	Total	0.9	1.0	1.0	0.471	18
				Org.	0.9	1.0	0.5	0.485	17
				Supp.	*	*	*	*	*
			Adjust	Total	1.1	1.0	1.0	0.478	7
				Org.	1.3	1.0	1.0	0.422	6
				Supp.	*	*	*	*	*
Repair	Total	1.3	1.0	1.0	0.843	35			
	Org.	1.3	1.0	1.0	0.881	29			
	Supp.	*	*	*	*	*			
2	Hinge Half Assy	53401343841 53401760447	Service	Total	1.0	1.0	1.0	0.370	23
				Org.	0.9	1.0	0.5	0.466	13
				Supp.	1.0	1.0	1.0	0.166	10
			Remove and Install	Total	0.9	1.0	1.0	0.535	7
				Org.	0.9	1.0	1.0	0.535	7
				Supp.	*	*	*	*	*
Install	Total	1.1	0.5	2.0	0.897	7			
	Org.	1.2	0.5	2.0	0.937	6			
	Supp.	*	*	*	*	*			
3	Spring	53401355113	Replace	Total	1.5	1.0	1.0	1.059	19
				Org.	0.9	1.0	1.0	0.406	14
				Supp.	3.0	3.0	3.0	0.707	5
			Replace	Total	1.4	1.0	1.0	1.360	16
				Org.	1.1	0.5	0.5	1.038	12
				Supp.	*	*	*	*	*
			Total						
			Org.						
			Supp.						

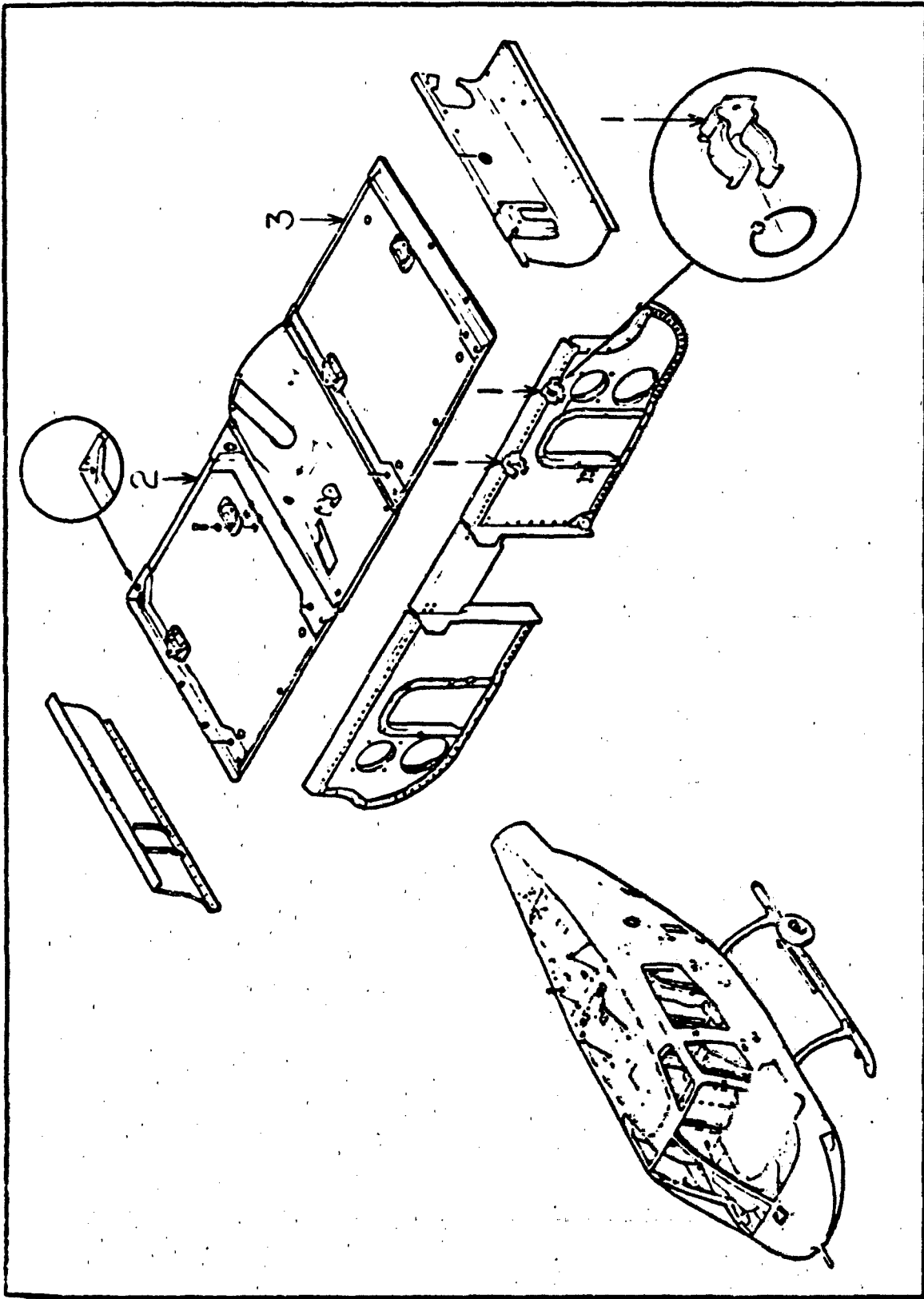


Figure 12 Console Cover and Bulkhead Installation Seat

OH-53A FLAT RATE DATA  
 FUNCTIONAL GROUP 01  
 REFERENCE FIGURE 12

ITEM NO.	NOMENCLATURE	FSN/PN	ACTION CODE	MAINT. LEVEL	MEAN	MEDIAN	MODE	STD. DEV.	SAMPLE SIZE
1	Clip	53401760922	Replace	Total	2.3	2.0	3.0	1.174	14
				Org.	2.6	3.0	4.0	1.193	9
				Supp.	1.6	1.0	1.0	0.894	5
2	Pilot Panel Assy	15601610435	Replace	Total	1.2	1.0	1.0	0.261	6
				Org.	1.2	1.0	1.0	0.261	6
				Supp.	*	*	*	*	*
3	Co-Pilot Panel Assy	15601281722	Remove and Install	Total	1.1	0.8	0.5	0.819	12
				Org.	1.0	0.5	0.5	0.707	8
				Supp.	*	*	*	*	*
			Remove and Install	Total	1.0	0.9	0.5	0.639	9
				Org.	1.1	0.5	0.5	0.733	7
				Supp.	*	*	*	*	*
Total									
Org.									
Supp.									
Total									
Org.									
Supp.									
Total									
Org.									
Supp.									
Total									
Org.									
Supp.									

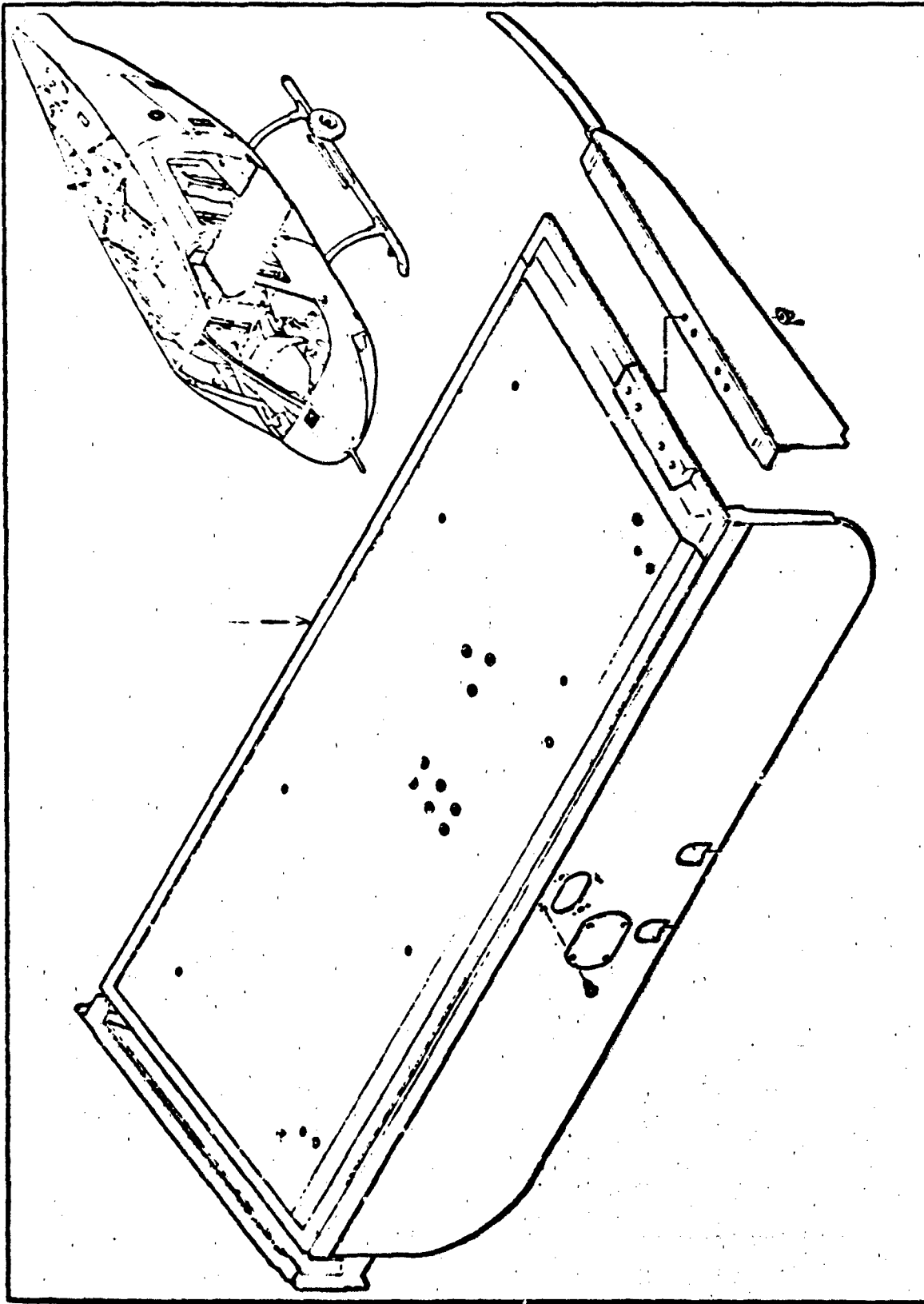


Figure 23 Passenger Seat Panel Installation



OH-53A FLAT RATE DATA  
 FUNCTIONAL GROUP 01  
 REFERENCE FIGURE 13

ITEM NO.	NOMENCLATURE	FSN/PN	ACTION CODE	MAINT. LEVEL	MEAN	MEDIAN	MODE	STD. DEV.	SAMPLE SIZE			
1	Panel Assy	15601248072 15601269219 15601523462 15601523463	Repair	Total	2.1	2.0	1.0	1.197	17			
				Org.	*	*	*	*	*			
				Supp.	2.1	2.0	1.0	1.197	17			
							Total					
							Org.					
							Supp.					
							Total					
							Org.					
							Supp.					
							Total					
							Org.					
							Supp.					

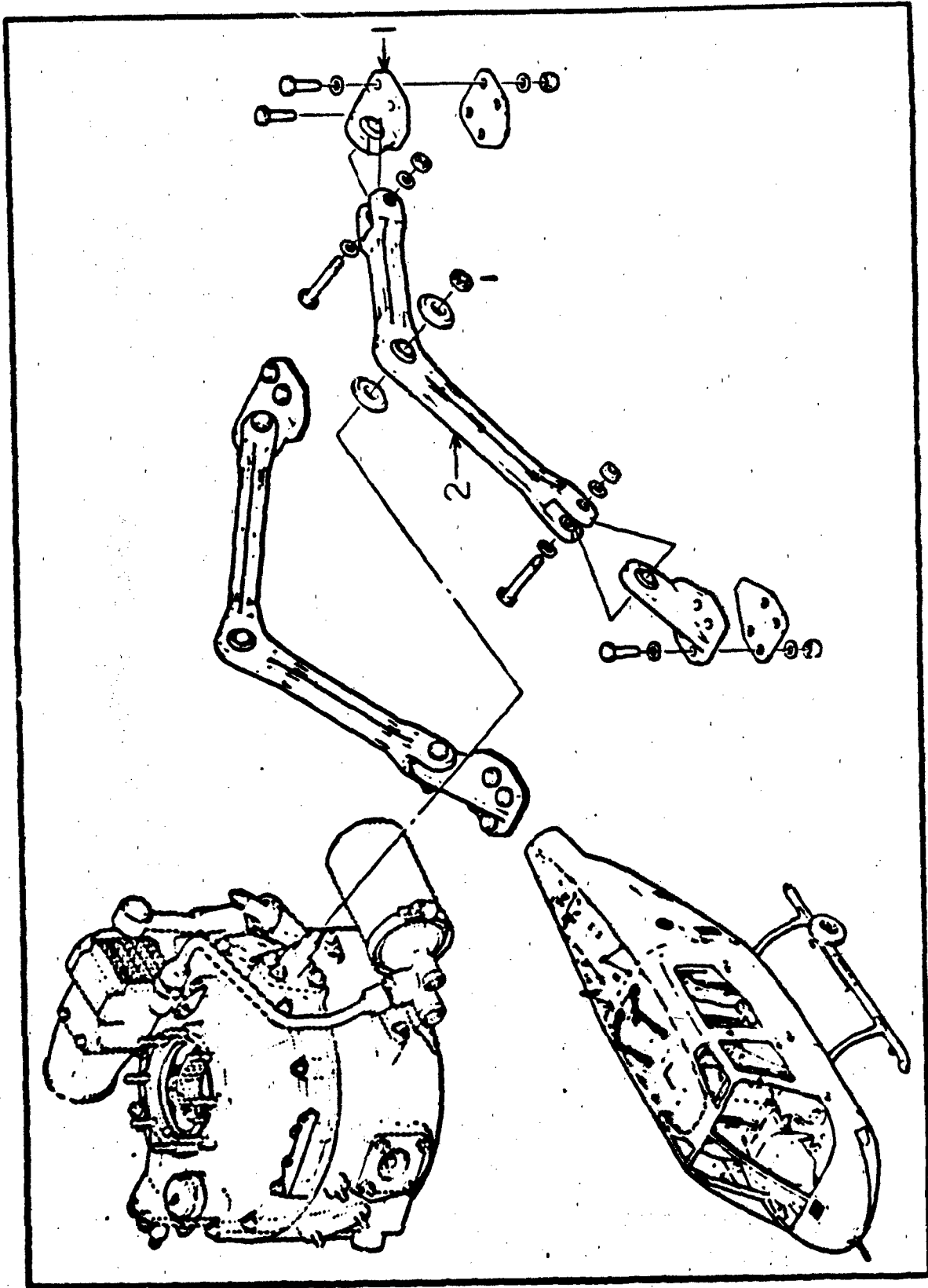


Figure 2 - Pylon Support Installation

OH-58A FLAT RATE DATA

FUNCTIONAL GROUP 01

REFERENCE FIGURE 14

ITEM NO.	DESCRIPTION	FSN/PI	ACTION CODE	MAINT. LEVEL	MEAN	MEDIAH	MODE	STD. DEV.	SAMPLE SIZE
1	Fitting Assy	15601269158 15601269159 15601269162 15601269168	Replace	Total	1.8	1.0	1.0	1.116	15
				Org.	1.6	1.0	2.0	0.918	6
				Supp.	1.9	1.0	1.0	1.269	9
				Total					
2	Link Assy	15601269180	Replace	Total	4.6	4.0	8.0	3.284	64
				Org.	3.9	3.0	8.0	2.822	21
				Supp.	4.9	4.0	8.0	3.479	43
				Total	4.1	4.5	5.0	2.969	24
				Org.	*	*	*	*	*
				Supp.	3.9	5.0	5.0	3.003	19
				Total	2.3	2.0	2.0	0.480	13
				Org.	*	*	*	*	*
3	Remove and Install		Remove	Total	2.3	2.0	2.0	0.480	13
				Org.	*	*	*	*	*
				Supp.	2.3	2.0	2.0	0.480	13
				Total	2.0	2.0	2.0	0.000	9
4	Install		Install	Total	2.0	2.0	2.0	0.000	9
				Org.	*	*	*	*	*
				Supp.	2.0	2.0	2.0	0.000	9
				Total					
5				Total					
				Org.					
				Supp.					
				Total					
6				Total					
				Org.					
				Supp.					
				Total					
7				Total					
				Org.					
				Supp.					
				Total					
8				Total					
				Org.					
				Supp.					
				Total					
9				Total					
				Org.					
				Supp.					
				Total					

\*Insufficient Data

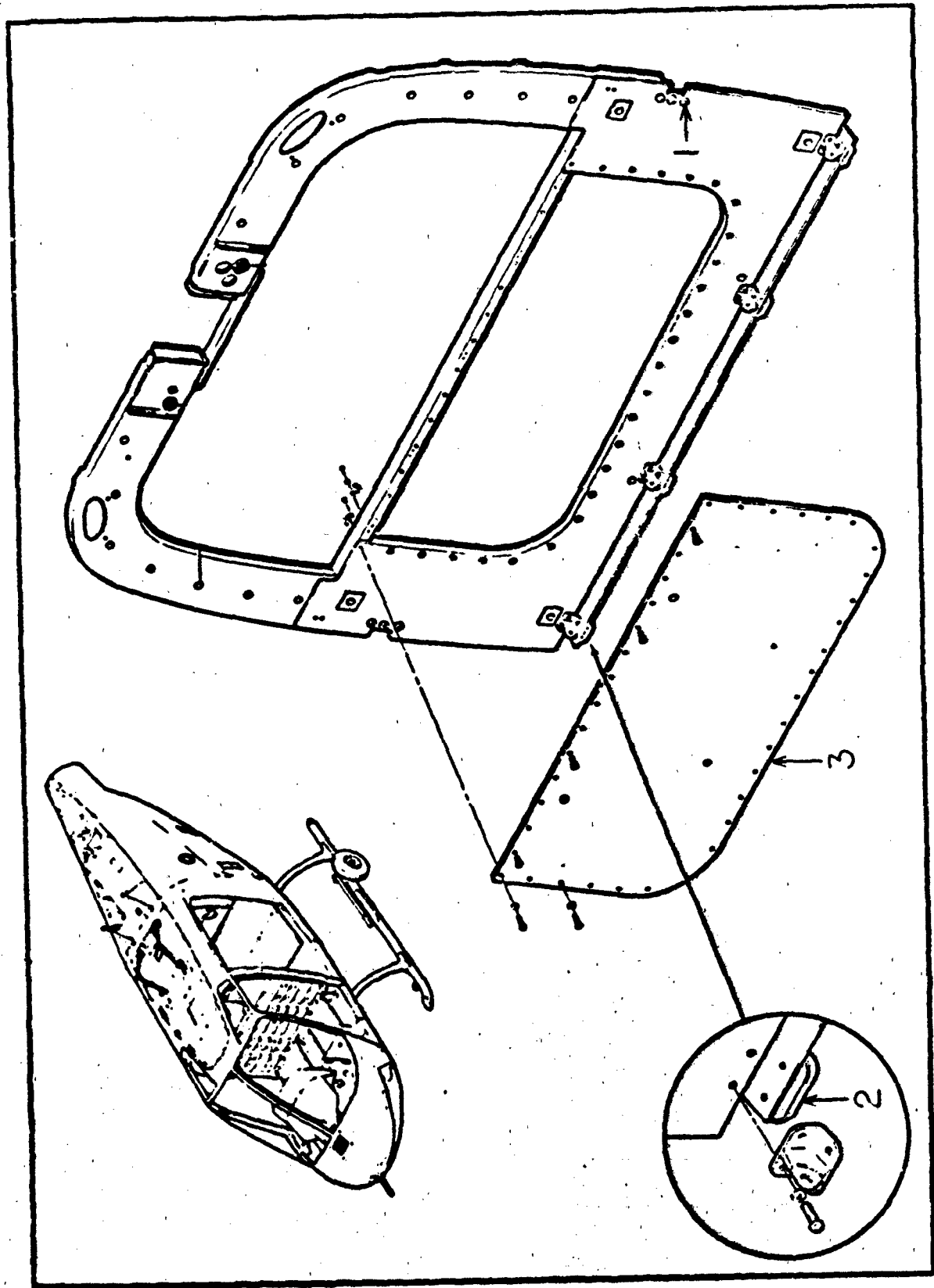


Figure 15 Bulkhead Installation

OH-53A FLAT RATE DATA.  
 FUNCTIONAL GROUP 01  
 REFERENCE FIGURE 15

ITEM NO.	NOMENCLATURE	FSM/PN	ACTION CODE	MAINT. LEVEL	MEAN	MEDIAN	MODE	STD. DEV.	SAMPLE SIZE
1	Plug	53257013656	Replace	Total	0.8	1.0	1.0	0.274	5
				Org.	0.8	1.0	1.0	0.292	3
				Supp.	0.8	0.5	1.0	0.361	2
2	Cover	15601264439	Repair	Total	0.9	0.5	0.5	0.652	5
				Org.	*	*	*	*	*
				Supp.	0.9	0.5	0.5	0.652	5
			Replace	Total	0.8	1.0	1.0	0.382	11
				Org.	0.8	1.0	1.0	0.382	11
				Supp.	*	*	*	*	*
3	Panel Cover Assy	15601685770	Repair	Total	0.9	0.5	0.5	0.518	6
				Org.	*	*	*	*	*
				Supp.	0.6	0.5	0.5	0.252	4
			Remove and Install	Total	0.6	0.5	0.5	0.479	34
				Org.	0.4	0.5	0.5	0.168	24
				Supp.	1.1	0.7	2.0	0.645	10
			Remove and Install	Total	0.9	1.0	1.0	0.494	12
				Org.	0.7	0.5	1.0	0.295	8
				Supp.	*	*	*	*	*

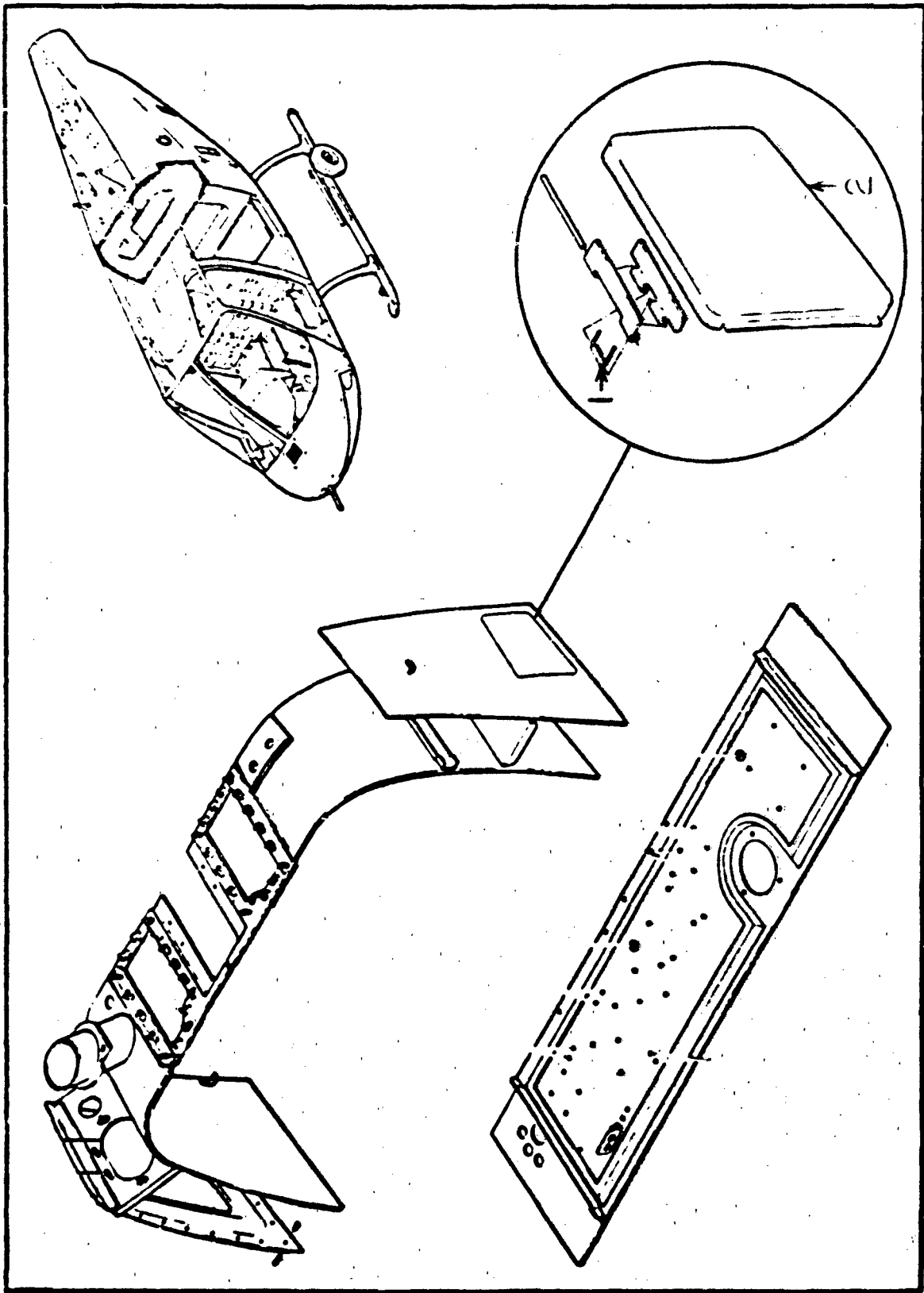


Figure 1-5 Aft Cabin Closure Installation

OH-53A FLAT RATE DATA  
 FUNCTIONAL GROUP 01  
 REFERENCE FIGURE 16

ITEM NO.	NOMENCLATURE	FSM/PN	ACTION CODE	MAINT. LEVEL	MEAN	MEDIAN	MODE	STD. DEV.	SAMPLE SIZE
1	Spring	53601919410	Replace	Total	0.9	1.0	1.0	0.173	9
				Org.	1.0	1.0	1.0	0.000	4
				Supp.	0.9	1.0	1.0	0.224	5
2	Door Assy	15601269152 15601269150	Remove and Install	Total	0.8	0.5	1.0	0.460	19
				Org.	0.7	0.5	1.0	0.444	17
				Supp.					*
				Total					
				Org.					
				Supp.					
				Total					
				Org.					
				Supp.					
				Total					
				Org.					
				Supp.					
				Total					
				Org.					
				Supp.					
				Total					
				Org.					
				Supp.					
				Total					
				Org.					
				Supp.					

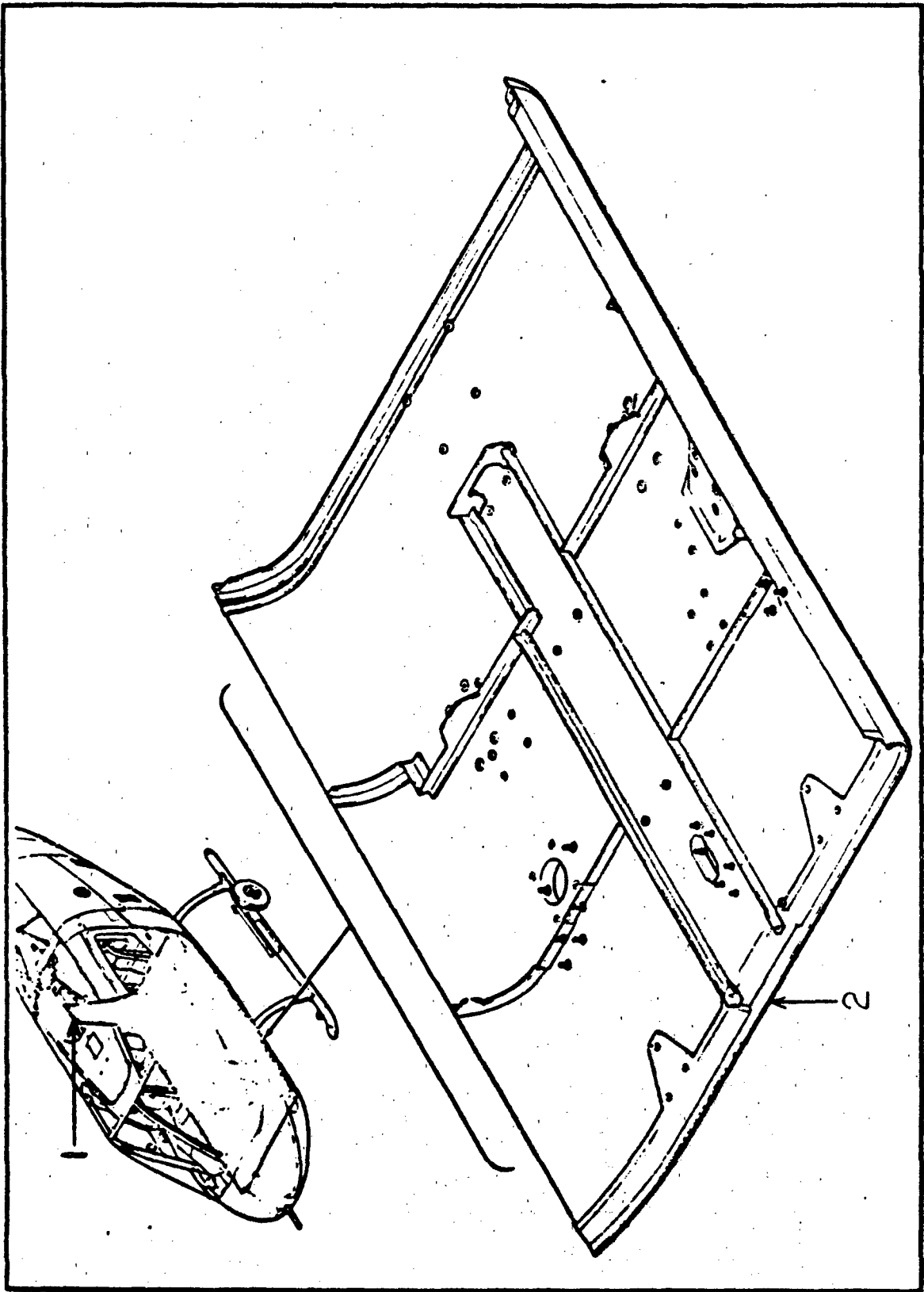


Figure 2 Lower Cabin Shell Assembly



OH-53A FLAT RATE DATA  
 FUNCTIONAL GROUP 01  
 REFERENCE FIGURE 17

ITEM NO.	NOMENCLATURE	FSN/PN	ACTION CODE	MAINT. LEVEL	MEAN	MEDIAN	MODE	STD. DEV.	SAMPLE SIZE
1	Aft Shell Assy	15601761129 15604781764	Repair	Total	2.6	2.0	2.0	1.410	48
				Org.	*	*	*	*	*
				Supp.	2.6	2.0	2.0	1.442	45
2	Forward Sbell Assy	15601264435	Repair	Total	2.3	2.0	2.0	1.592	80
				Org.	1.5	1.0	1.0	0.931	18
				Supp.	2.6	2.0	2.0	1.664	62
			Service	Total	0.8	0.6	0.5	0.492	16
				Org.	0.8	0.6	0.5	0.402	14
				Supp.	*	*	*	*	*
Final Inspection	Total	0.3	0.3	0.5	0.180	5			
	Org.	*	*	*	*	*			
	Supp.	0.3	0.3	0.5	0.180	5			

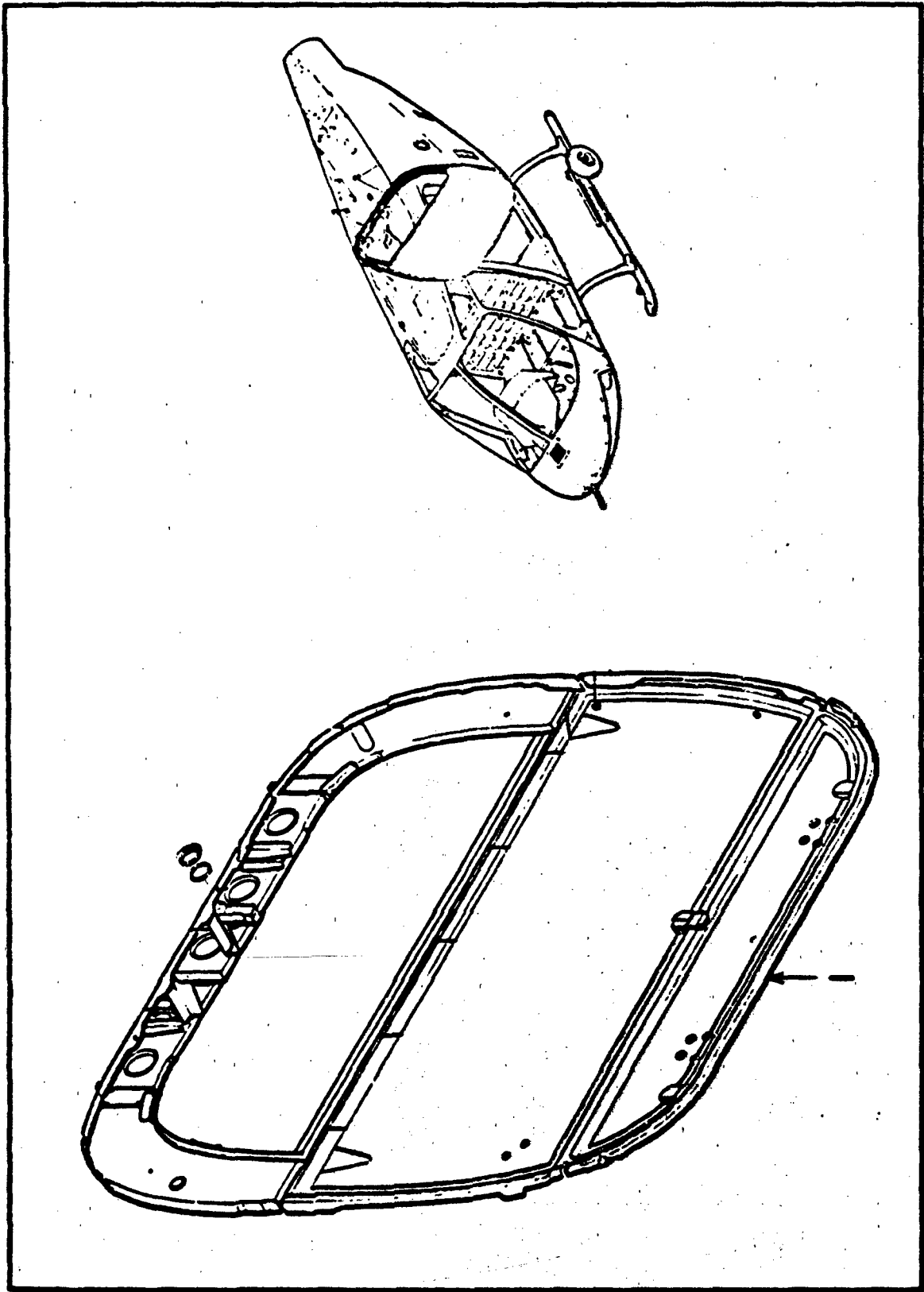


Figure 13: Bulkhead Installation

OH-53A FLAT RATE DATA  
 FUNCTIONAL GROUP 01  
 REFERENCE FIGURE 18

ITEM NO.	NOMENCLATURE	FSN/PN	ACTION CODE	MAINT. LEVEL	MEAN	MEDIAN	MODE	STD. DEV.	SAMPLE SIZE
1	Panel Assy	15604990105	Repair	Total	1.3	1.0	1.0	0.761	21
				Org.	1.2	1.0	1.0	0.834	9
				Supp.	1.4	1.0	1.0	0.732	12
			Service	Total	0.8	0.5	1.0	0.272	8
				Org.	0.8	0.5	1.0	0.272	8
				Supp.	*	*	*	*	*
			Remove and Install	Total	1.4	1.0	1.0	0.928	108
				Org.	1.3	1.0	1.0	0.874	86
				Supp.	1.8	2.0	2.0	1.016	22
			Remove	Total	0.9	1.0	1.0	0.418	5
				Org.	0.8	0.5	0.5	0.579	3
				Supp.	1.0	1.0	1.0	0.000	2
				Total					
				Org.					
				Supp.					
				Total					
				Org.					
				Supp.					
				Total					
				Org.					
				Supp.					
				Total					
				Org.					
				Supp.					

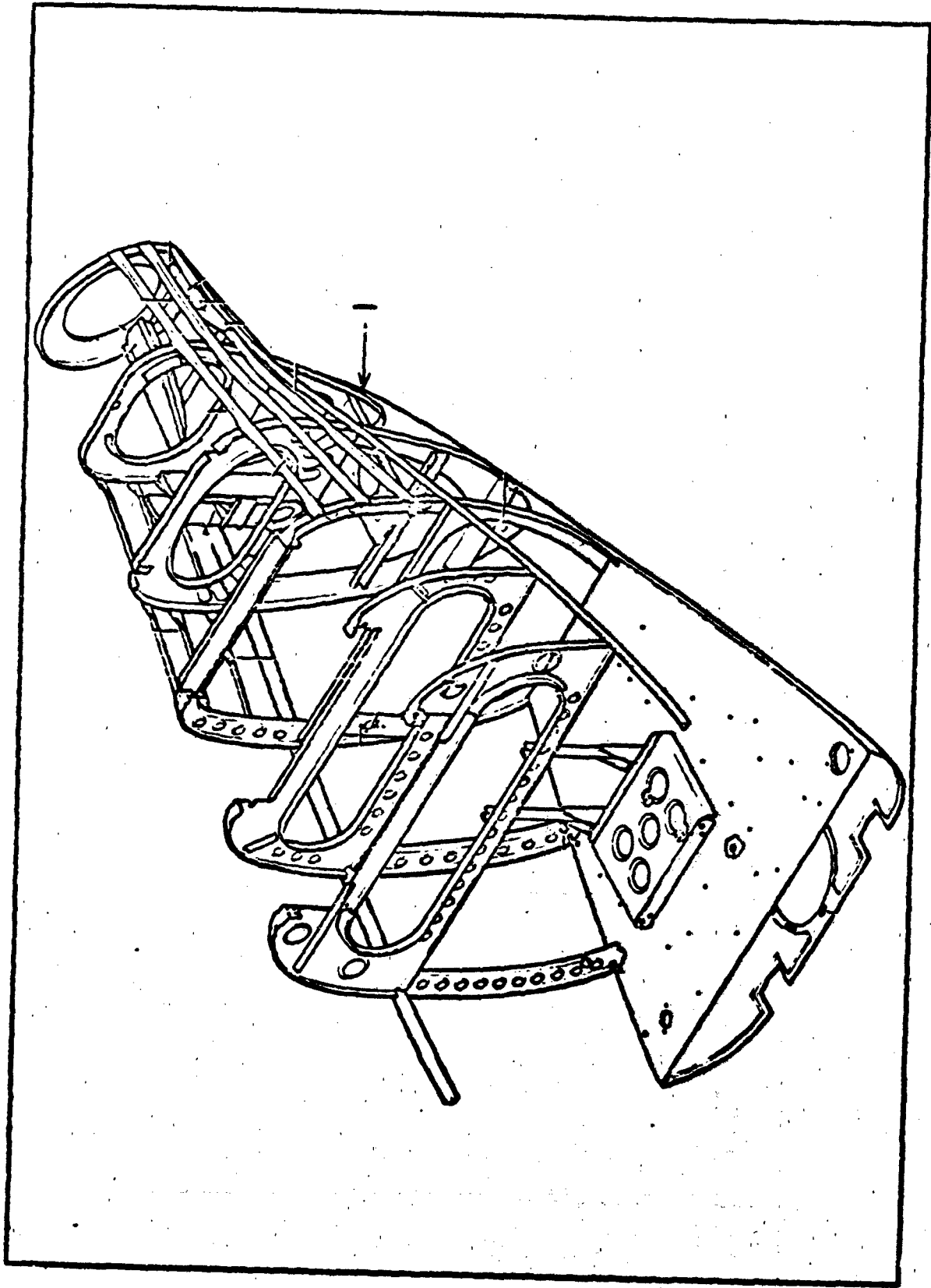


Figure 29 Aft Fuselage Installation

OH-58A FLAT RATE DATA  
 FUNCTIONAL GROUP 01  
 REFERENCE FIGURE 19

ITEM NO.	NOMENCLATURE	FSM/PN	ACTION CODE	MAINT. LEVEL	MEAN	MEDIAN	MODE	STD. DEV.	SAMPLE SIZE
1	Pairing Assy	15601273178 15601523501	Repair	Total	2.5	2.5	4.0	1.258	13
				Org.	*	*	*	*	*
				Supp.	2.6	2.5	4.0	1.227	12
				Total					
				Org.					
				Supp.					
				Total					
				Org.					
				Supp.					
				Total					
				Org.					
				Supp.					

Insufficient Data

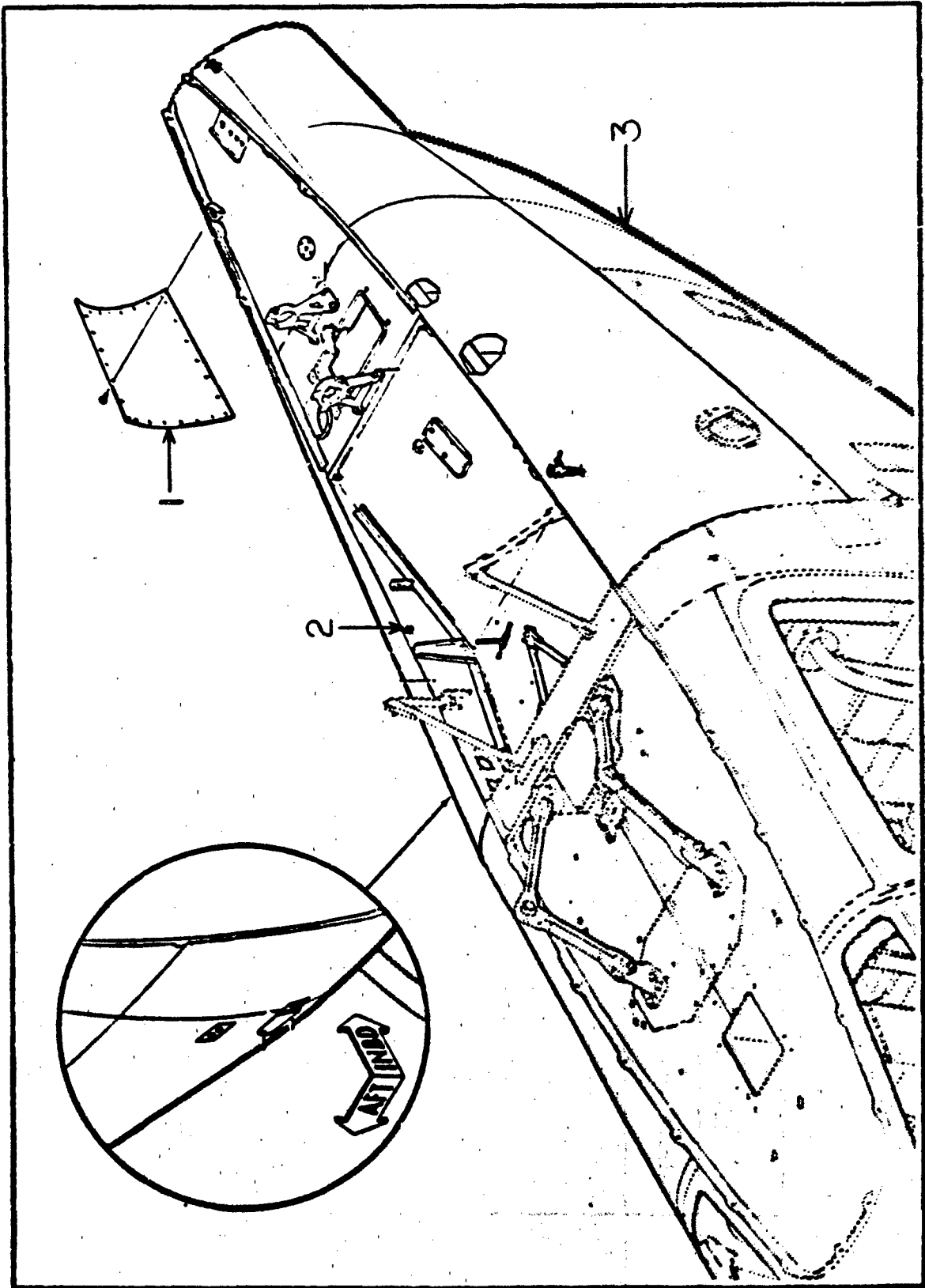


Figure 20 Aft Fuselage Installation

OH-59A FLAT RATE DATA  
 FUNCTIONAL GROUP: 01  
 REFERENCE FIGURE: 20

ITEM NO.	NOMENCLATURE	PSN/PN	ACTION CODE	MAINT. LEVEL	MEAN	MEDIAN	MODE	STD. DEV.	SAMPLE SIZE	
1	Access Cover	15601281716	Remove and Install	Total	0.8	0.5	0.5	0.560	56	
				Org.	0.7	0.5	0.5	0.482	40	
				Supp.	1.2	1.0	1.0	0.612	16	
2	Spring Clip	53409593041	Replace	Total	1.8	1.5	1.0	1.102	121	
				Org.	1.5	1.0	1.0	0.895	72	
				Supp.	2.3	2.0	2.0	1.184	49	
3	Fuselage Assy	15600970107	Repair	Total	4.0	3.2	2.0	2.517	58	
				Org.	*	*	*	*	*	
				Supp.	3.8	3.2	2.0	2.209	41	
				Total						
				Org.						
				Supp.						
				Total						
				Org.						
				Supp.						
				Total						
				Org.						
				Supp.						

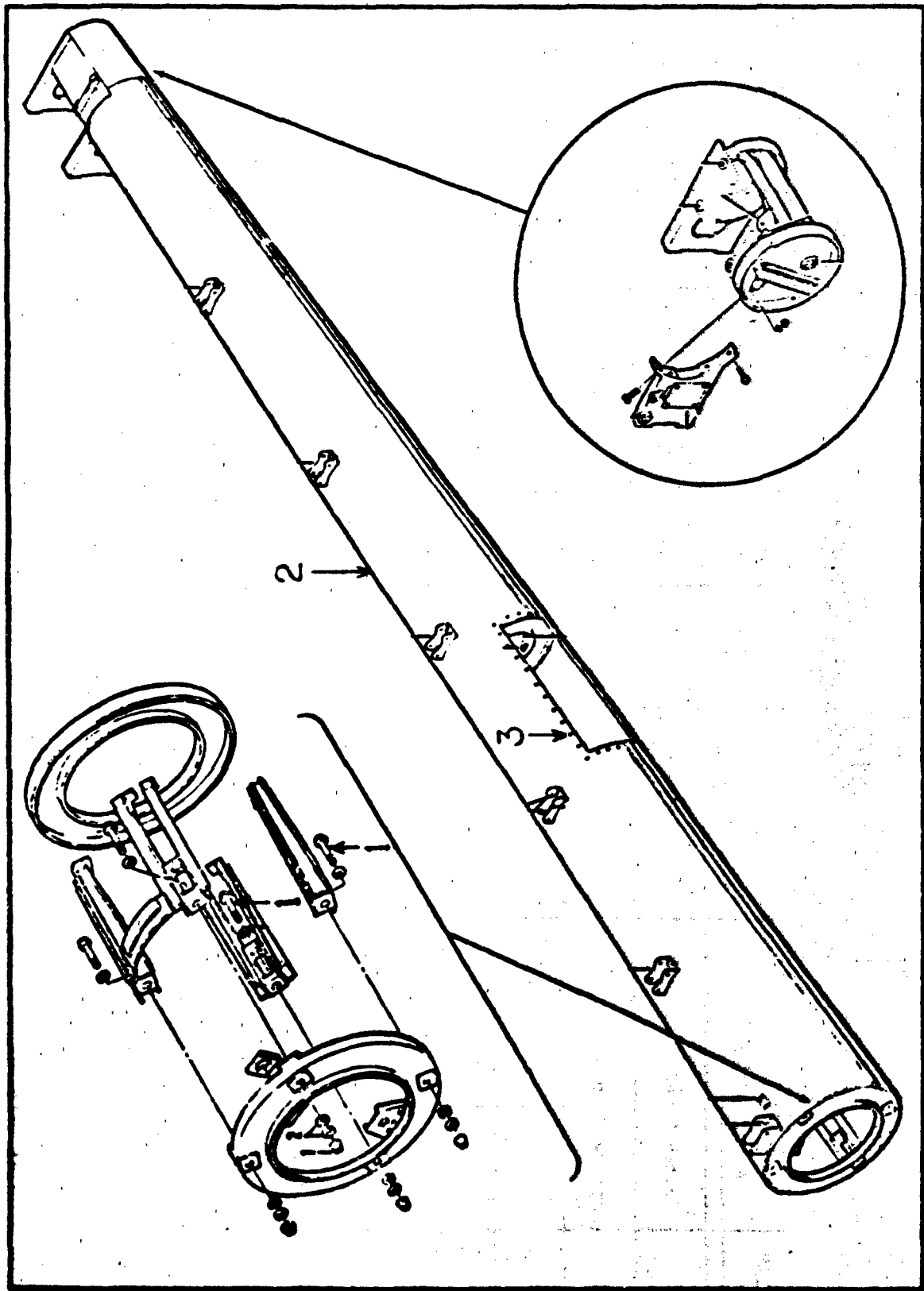


Figure 21 Tail Boom Installation



OH-53A FLAT RATE DATA  
 FUNCTIONAL GROUP 01  
 REFERENCE FIGURE 21

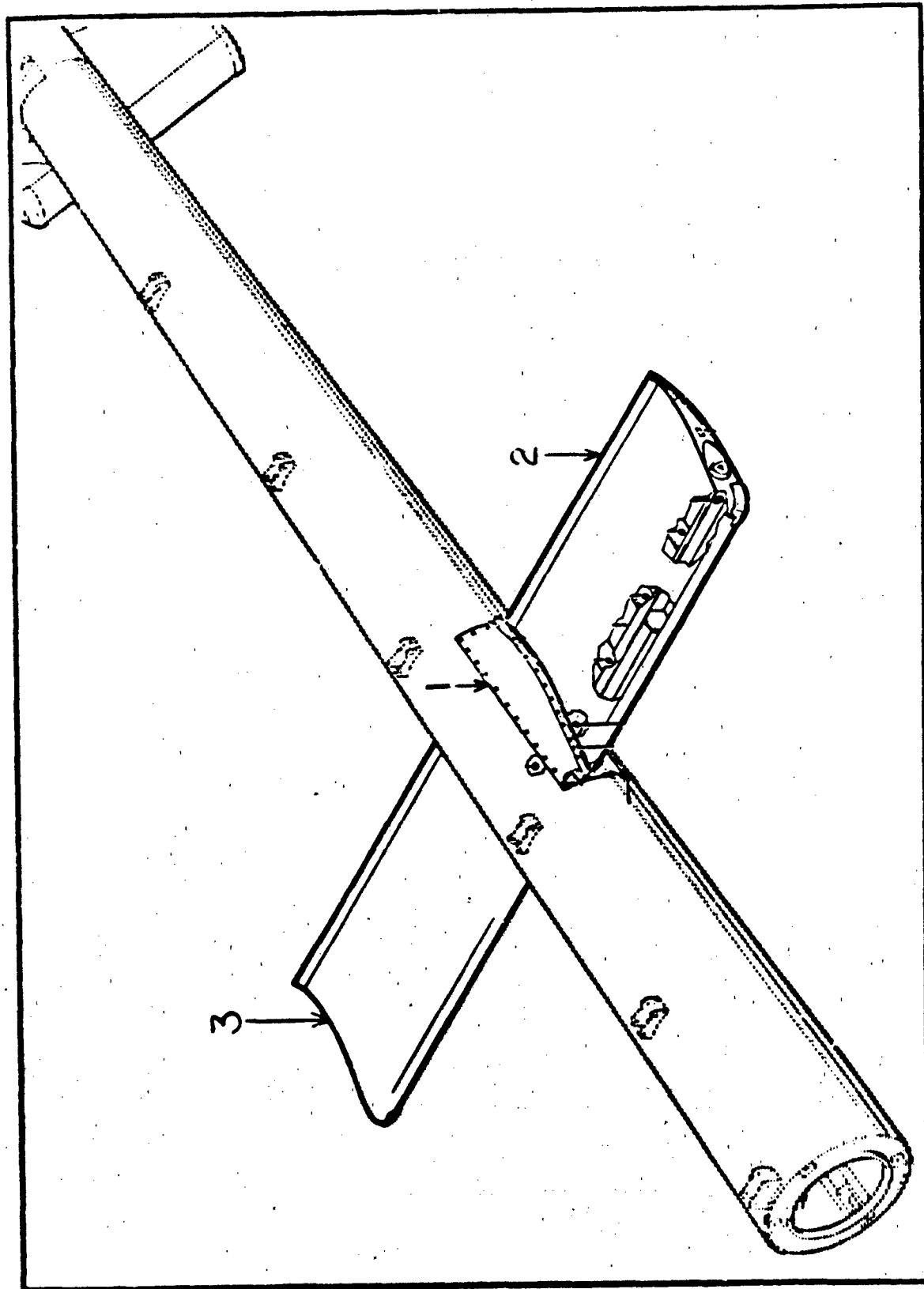
ITEM NO.	NOMENCLATURE	FSN/PN	ACTION CODE	MAINT. LEVEL	MEAN	MEDIAN	MODE	STD. DEV.	SAMPLE SIZE
1	Tail Boom Mounting Bolt	53068163223	Replace	Total	1.1	1.0	0.5	0.870	32
				Org.	0.7	0.5	0.5	0.710	8
				Supp.	1.3	1.0	1.0	0.877	24
			Adjust	Total	1.6	1.5	1.0	0.736	17
				Org.	1.6	1.5	1.0	0.762	15
				Supp.	*	*	*	*	*
			Service	Total	1.2	1.0	2.0	0.762	20
				Org.	1.2	1.0	2.0	0.803	18
				Supp.	*	*	*	*	*
Initial Inspection	Total	1.0	1.0	1.0	0.307	8			
	Org.	1.0	1.0	1.0	0.307	8			
	Supp.	*	*	*	*	*			
2	Tail Boom Assy	15601287534	Adjust	Total	1.9	1.5	1.0	1.165	29
				Org.	1.7	1.5	1.0	1.161	21
				Supp.	2.7	1.5	3.0	1.193	8
			Repair	Total	2.3	2.0	2.0	1.639	33
				Org.	*	*	*	*	*
				Supp.	2.6	2.0	2.0	1.591	28
			Service	Total	1.7	1.5	1.0	1.151	79
				Org.	1.6	1.2	1.0	1.054	62
				Supp.	2.8	2.0	3.0	2.248	19
Initial Inspection	Total	1.6	1.0	0.5	1.115	18			
	Org.	1.8	1.5	3.0	1.081	11			
	Supp.	1.3	0.5	0.5	1.185	7			
Final Inspection	Total	1.4	1.0	1.0	0.628	7			
	Org.	1.0	1.0	1.0	0.000	3			
	Supp.	1.6	1.0	1.0	0.751	1			

\*Insufficient Data

UH-53A FLAT RATE DATA  
 FUNCTIONAL GROUP 01  
 REFERENCE FIGURE 21

ITEM NO	NOMENCLATURE	F.N/PN	ACTION CODE	MAINT LEVEL	MEAN	MEDIAN	MODE	STD. DEV.	CATALOG SIZE
3	Tail Boom Assy (Cont'd)		Remove and Install	Total	2.6	2.0	4.0	2.078	59
				Org.	1.2	1.0	1.0	0.721	29
				Supp.	3.8	4.0	4.0	2.030	26
			Checked	Total	1.3	1.5	2.0	0.615	11
				Org.	1.1	1.0	1.0	0.600	8
				Supp.	*	*	*	*	*
			Remove	Total	1.4	1.3	2.0	0.675	7
				Org.	1.3	1.2	2.0	0.757	5
				Supp.	*	*	*	*	*
			Install	Total	3.0	3.0	3.0	1.496	143
				Org.	*	*	*	*	*
				Supp.	3.0	3.0	3.0	1.482	140
Replace	Total	1.4	1.0	2.0	1.048	16			
	Org.	*	*	*	*	*			
	Supp.	1.6	1.0	2.0	1.107	12			
Nut	Total	53100213884							
	Org.	53108133653							
	Supp.								

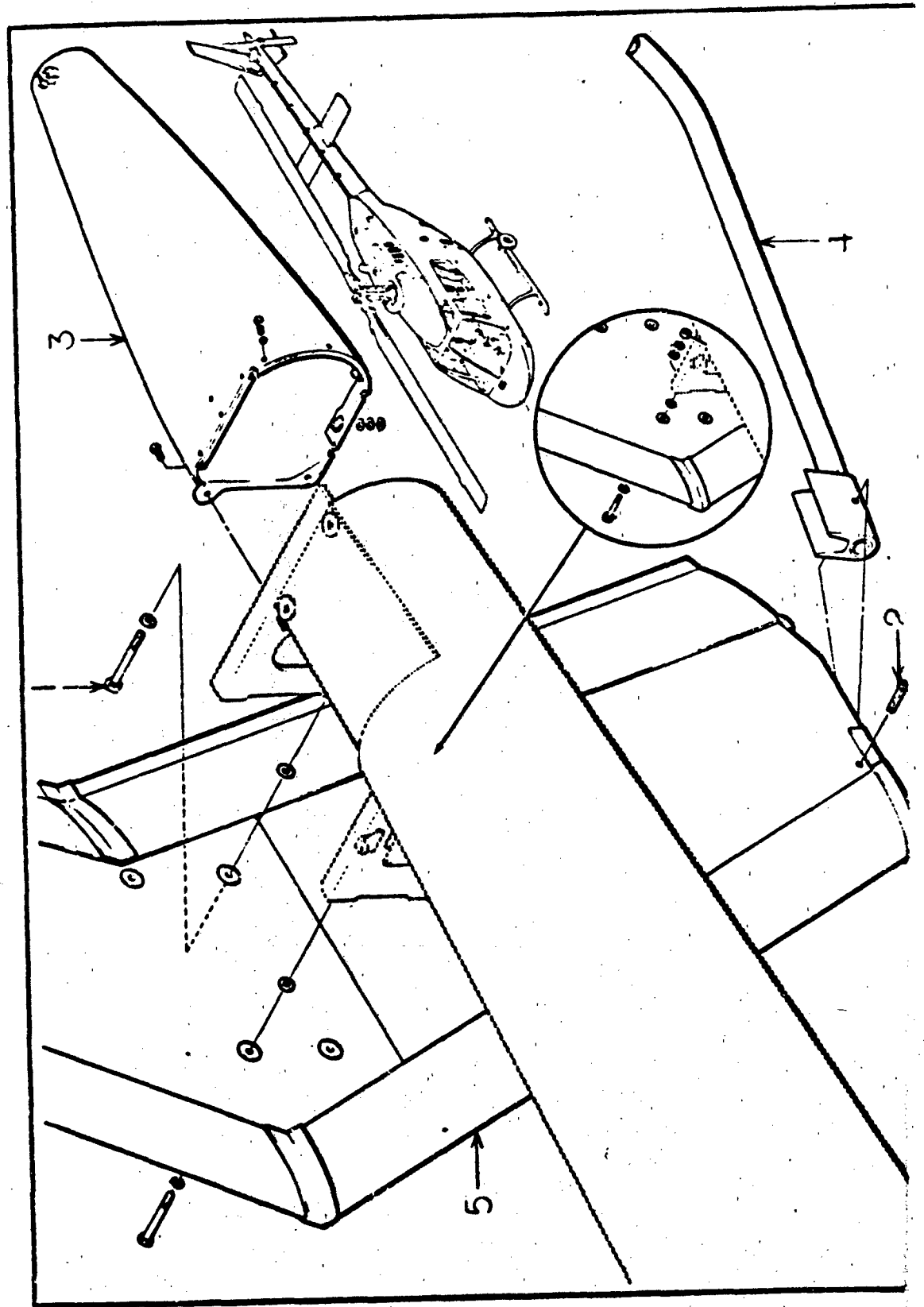
UH-53A Flat Rate Data



OH-53A FLAT RATE DATA  
 FUNCTIONAL GROUP 01  
 REFERENCE FIGURE 22

ITEM NO	NOMENCLATURE	F.O.B./P.R.	ACTION CODE	MAINT LEVEL	MEAS	REL.FAC	MODE	UNIT DEL	QUANTITY
1	Stabilizer Support	15601275709 15601296167 15601296179 15601296203	Remove and Install	Total	1.2	1.1	1.1	0.627	20
				Org	1.1	1.0	1.0	0.795	8
				Supp	1.3	1.1	1.1	0.510	12
				Total Org Supp					
2	Horizontal Stabilizer Assy	15601269148	Replace	Total	3.9	3.0	5.0	2.727	26
				Org	2.7	2.5	1.0	1.684	14
				Supp	5.2	5.0	5.0	3.158	12
				Total	5.1	4.0	4.0	4.303	64
				Org	3.3	3.0	3.0	1.504	17
				Supp	5.5	4.0	4.0	4.586	46
				Total	1.4	1.0	1.0	0.492	20
				Org	1.2	1.0	1.0	0.488	7
				Supp	1.4	1.0	1.0	0.494	13
				Total	2.3	2.5	2.5	1.289	52
				Org	2.0	1.5	1.0	1.514	18
				Supp	2.5	2.5	2.5	1.131	34
3	Horizontal Stabilizer Installation	2960221001	Install	Total	5.7	5.0	5.0	3.574	21
				Org	*	*	*	*	*
				Supp	5.8	5.0	5.0	3.111	15
				Total	1.2	1.0	1.0	0.732	128
				Org	*	*	*	*	*
				Supp	1.2	1.0	1.0	0.732	127
Total	1.2	1.0	1.0	0.165	14				
Org	*	*	*	*	*				
Supp	1.2	1.0	1.0	0.165	14				

OH-53A FLAT RATE DATA



OH-53A FLAT RATE DATA  
 FUNCTIONAL GROUP 01  
 REFERENCE FIGURE 23

ITEM NO.	NOMENCLATURE	FSN/PN	ACTION CODE	MAINT. LEVEL	MEAN	MEDIAN	MODE	STD. DEV.	SAMPLE SIZE
1	Bolt	53068265338	Replace	Total	0.5	0.5	0.5	0.276	6
				Org.	0.4	0.5	0.5	0.122	3
				Supp.	0.6	0.5	1.0	0.406	3
2	Spring Pin	53150531865	Replace	Total	1.2	1.0	1.0	0.795	29
				Org.	1.2	1.0	1.0	0.814	25
				Supp.	*	*	*	*	*
3	Tail Light Support Assy	15601275705	Replace	Total	2.2	2.0	2.0	0.940	17
				Org.	1.6	2.0	2.0	0.613	12
				Supp.	*	*	*	*	*
4	Tail Skid Assy	16301794033 16301337406	Remove and Install	Total	0.8	0.5	0.5	0.478	24
				Org.	0.6	0.5	0.5	0.425	17
				Supp.	1.2	1.0	1.5	0.297	7
			Replace	Total	1.6	1.0	2.0	0.968	30
				Org.	1.5	1.0	2.0	0.901	26
				Supp.	*	*	*	*	*
			Adjust	Total	1.5	1.5	2.0	0.691	12
				Org.	1.6	1.5	2.0	0.466	9
				Supp.	*	*	*	*	*
			Repair	Total	2.0	2.0	2.0	1.261	22
				Org.	1.7	2.0	2.0	0.796	15
				Supp.	*	*	*	*	*
Service	Total	1.3	1.0	1.0	0.639	6			
	Org.	1.3	1.0	1.0	0.503	4			
	Supp.	*	*	*	*	*			
Remove and Install	Total	2.0	1.0	1.0	1.390	12			
	Org.	2.0	1.0	1.0	1.390	12			
	Supp.	*	*	*	*	*			

\* Insufficient Data

OH-53A FLAT RATE DATA  
 FUNCTIONAL GROUP 01  
 REFERENCE FIGURE 23

ITEM NO.	NOMENCLATURE	FSN/PN	ACTION CODE	MAINT. LEVEL	MEAN	MEDIAN	MODE	STD. DEV.	SAMPLE SIZE
5	Tail Skid Assy (Cont'd)  Vertical Stabilizer Assy	15601794052	Install	Total	1.0	1.0	1.5	0.500	5
				Org.	1.0	0.5	1.5	0.577	4
				Supp.	*	*	*	*	*
			Replace	Total	1.6	1.5	1.0	0.715	47
				Org.	1.5	1.5	1.0	0.707	38
				Supp.	*	*	*	*	*
			Repair	Total	3.2	3.0	4.0	2.200	42
				Org.	1.2	1.0	2.0	0.931	7
				Supp.	3.6	4.0	4.0	2.170	35
			Service	Total	1.4	1.0	1.0	0.924	15
				Org.	1.2	1.0	1.0	0.620	12
				Supp.	*	*	*	*	*
			Final Inspection	Total	0.6	0.5	0.5	0.224	5
				Org.	*	*	*	*	*
Supp.	0.6	0.5		0.5	0.252	4			
Remove and Install	Total	1.5	1.0	1.0	1.351	195			
	Org.	1.2	1.0	1.0	0.934	131			
	Supp.	2.1	2.0	2.0	1.801	64			
Remove	Total	1.9	1.0	0.5	1.888	25			
	Org.	0.9	0.5	0.5	0.773	13			
	Supp.	*	*	*	*	*			
Install	Total	1.7	2.0	2.0	0.670	150			
	Org.	*	*	*	*	*			
	Supp.	1.7	2.0	2.0	0.652	144			
				Total					
				Org.					
				Supp.					
				Total					
				Org.					
				Supp.					

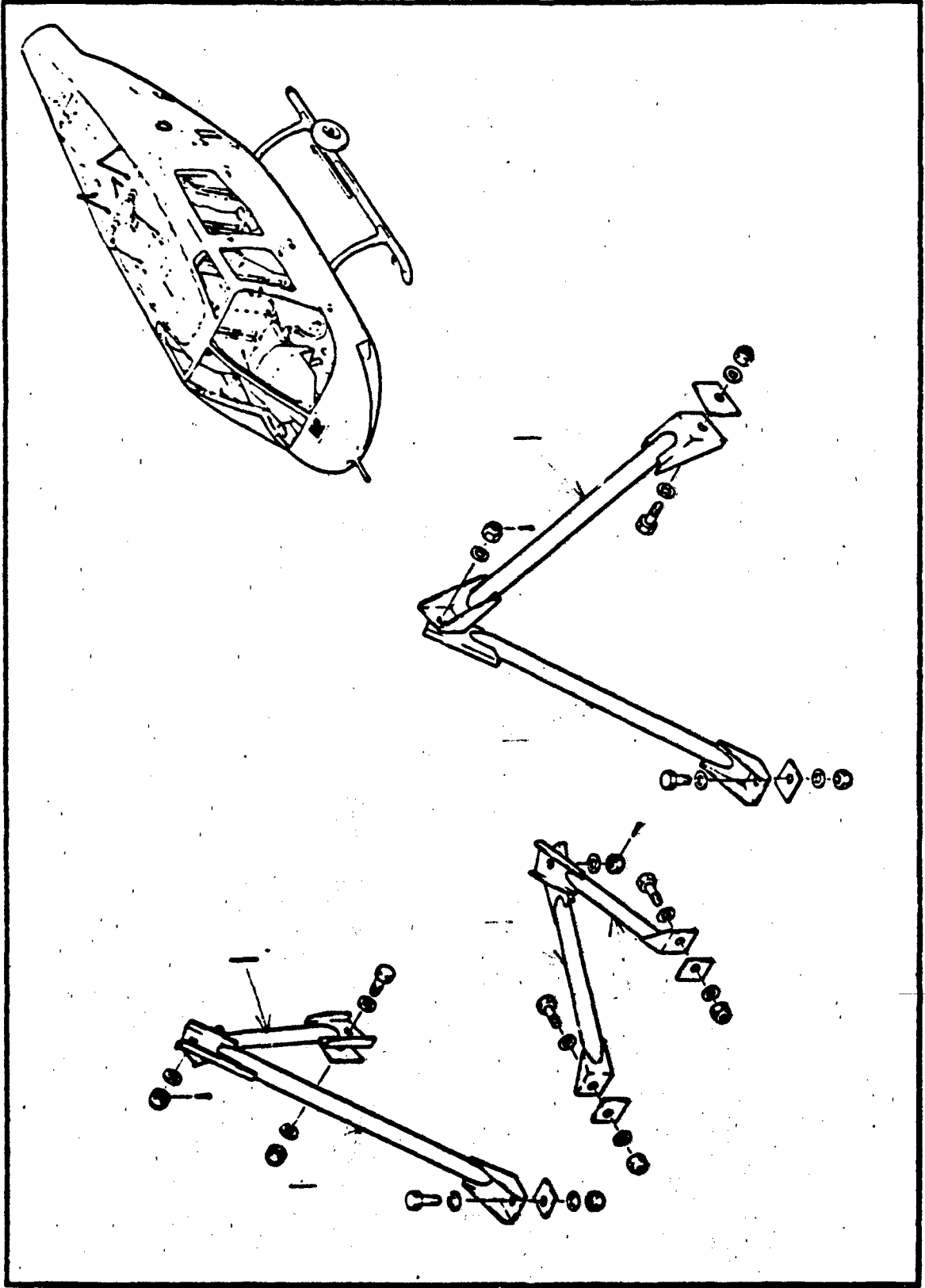


Figure 2- Engine Mount Installation



OH-58A FLAT RATE DATA  
 FUNCTIONAL GROUP 01  
 REFERENCE FIGURE 24

ITEM NO.	NOMENCLATURE	FSN/PN	ACTION CODE	MAINT. LEVEL	MEAN	MEDIAN	MODE	STD. DEV.	SAMPLE SIZE		
1	Leg Assy	15601269160 15601269161 15601269198	Replace	Total	2.1	2.0	2.0	1.228	15		
				Org.	2.0	2.0	3.0	1.276	6		
				Supp.	2.1	2.0	2.0	1.269	9		
		15601269221 15601269222	Remove and Install	Total	1.1	1.0	1.0	0.310	37		
				Org.	1.7	1.5	1.5	0.272	8		
				Supp.	1.0	1.0	1.0	0.000	29		
					Remove	Total	1.0	1.0	0.7	0.251	18
						Org.	*	*	*	*	*
						Supp.	1.0	1.0	0.7	0.251	18
						Total					
Org.											
Supp.											
Total											
Org.											
Supp.											
Total											
Org.											
Supp.											
Total											

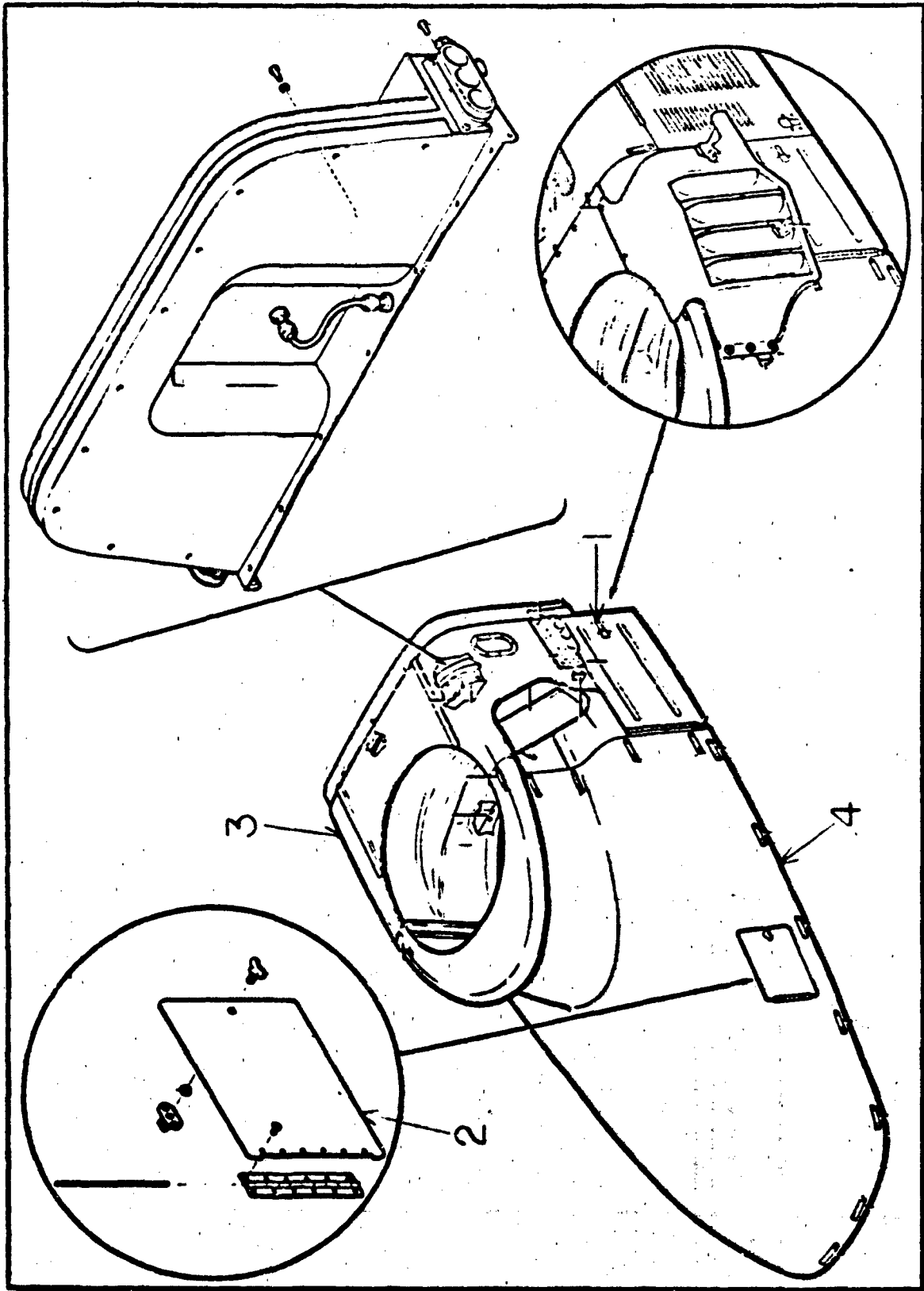


Figure 25 Cowl Installation

OH-53A FLAT RATE DATA  
 FUNCTIONAL GROUP 01  
 REFERENCE FIGURE 25

ITEM NO.	NOMENCLATURE	FSM/PN	ACTION CODE	MAINT. LEVEL	MEAN	MEDIAN	MODE	STD. DEV.	SAMPLE SIZE
1	Flush Catch	53405982806	Replace	Total	1.4	1.0	1.0	0.804	29
				Org.	1.1	1.0	1.0	0.569	12
				Supp.	1.7	1.5	1.0	0.849	17
2	XMSN Access Door Assy	15601269231	Repair	Total	1.1	1.0	1.0	0.583	8
				Org.	0.8	0.5	1.0	0.361	2
				Supp.	*	*	*	*	*
3	Induction Pairing Assy	15601075448	Repair	Total	3.7	3.0	3.0	2.668	19
				Org.	1.3	1.0	1.5	0.361	2
				Supp.	*	*	*	*	*
4	Pairing Assy	15604620441	Remove and Install	Total	1.8	1.5	1.0	1.270	109
				Org.	1.6	1.0	1.0	1.227	58
				Supp.	2.1	2.0	1.0	1.269	51
			Repair	Total	2.6	2.0	2.0	1.630	40
				Org.	*	*	*	*	*
				Supp.	3.0	2.0	2.0	1.568	30
			Remove and Install	Total	1.0	0.5	0.5	0.879	160
				Org.	0.7	0.5	0.5	0.513	108
				Supp.	1.7	1.0	1.0	1.080	52
				Total					
				Org.					
				Supp.					
				Total					
				Org.					
				Supp.					
				Total					
				Org.					
				Supp.					

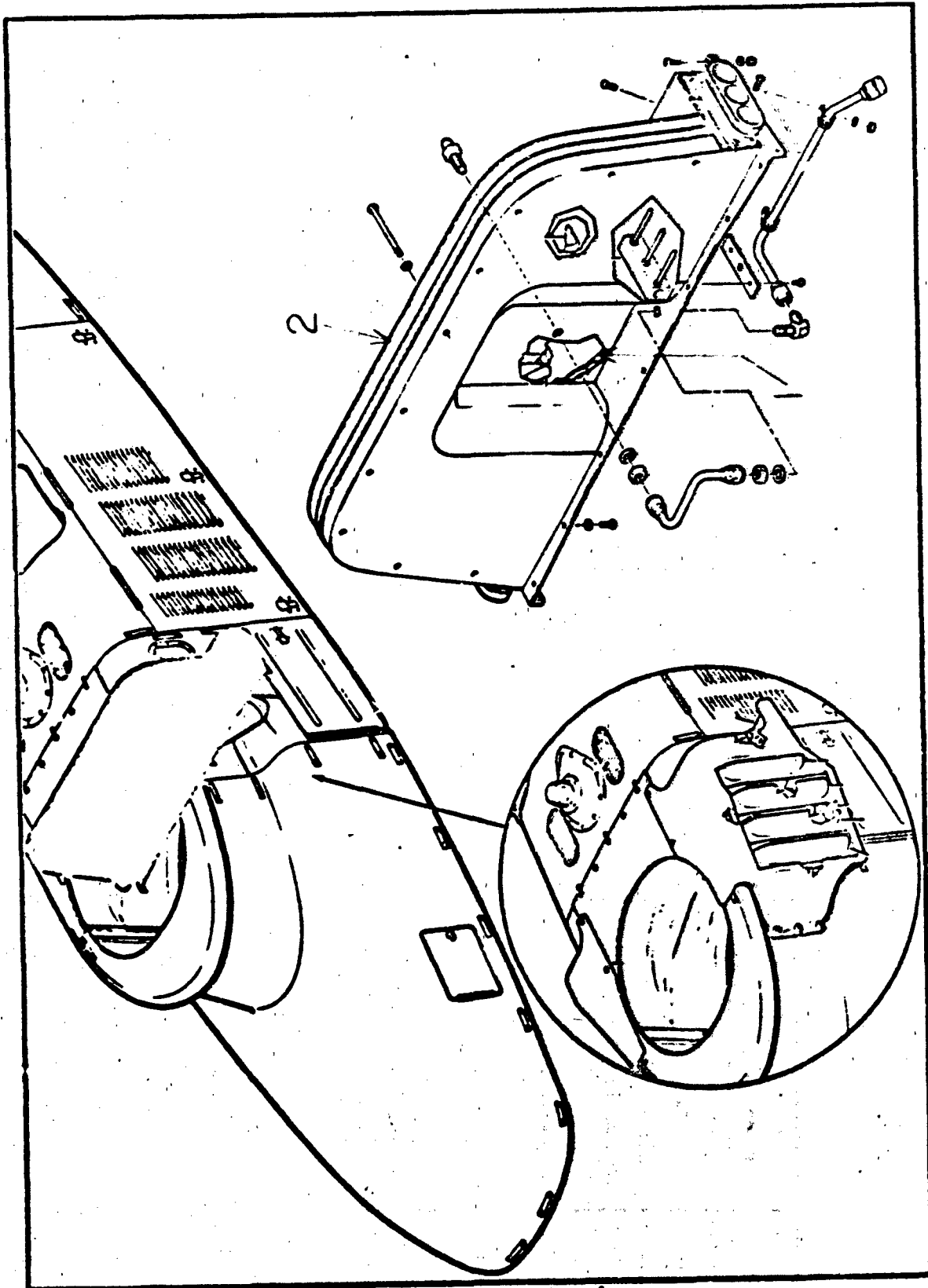


Figure 26 Particle Separator and Fairing Assembly

OH-53A FLAT RATE DATA  
 FUNCTIONAL GROUP 01  
 REFERENCE FIGURE 26

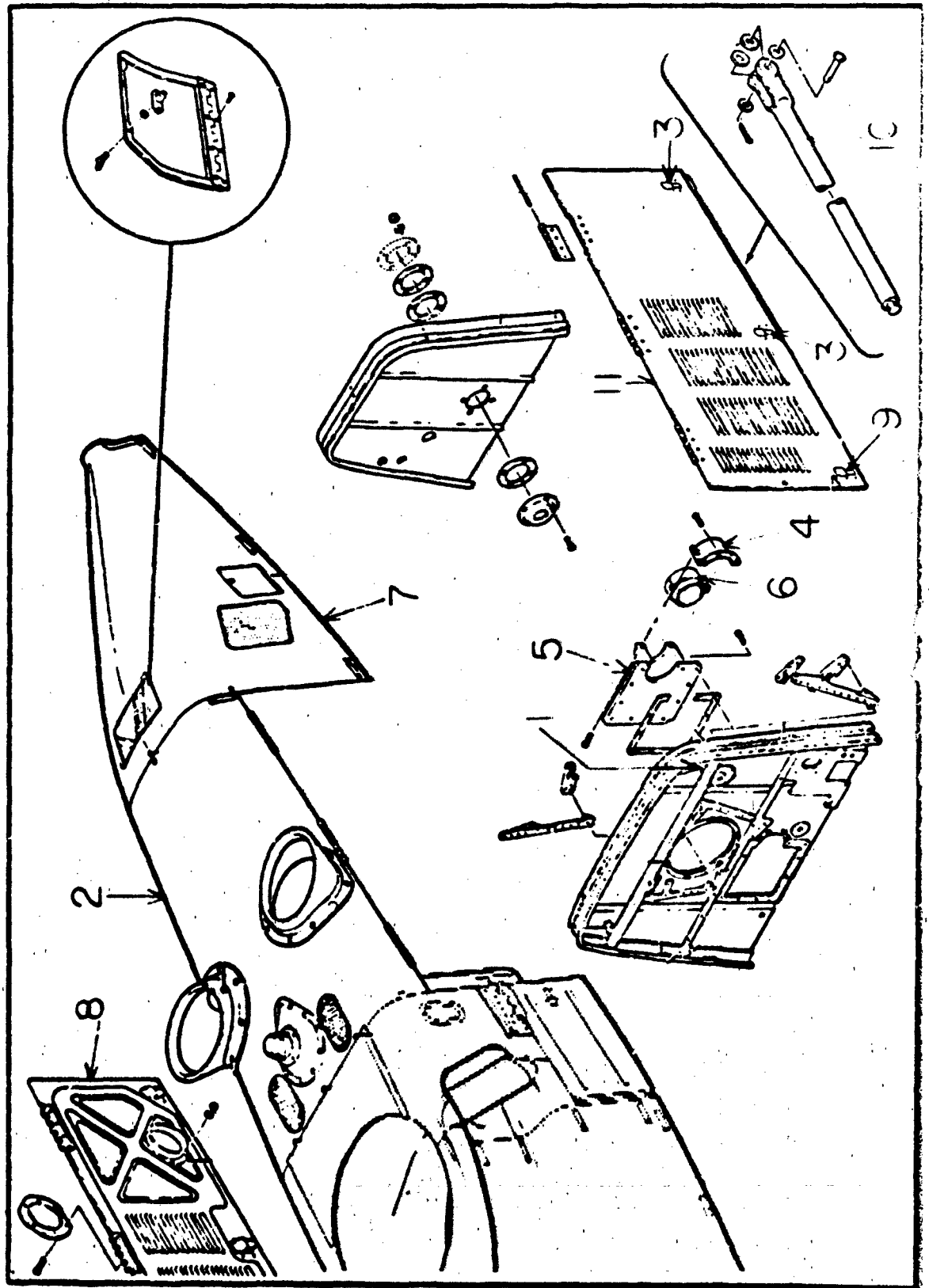
ITEM NO.	DESCRIPTION	FSN/PN	ACTION CODE	MAINT. LEVEL	MEAN	MEDIAN	MODE	STD. DEV.	SAMPLE SIZE
1	Feiring	15601681476	Repair	Total	1.8	1.0	1.0	1.248	28
				Org.	0.9	1.0	1.0	0.447	9
				Supp.	2.2	2.0	1.0	1.274	19
			Final Inspection	Total	0.3	0.2	0.2	0.134	6
				Org.	0.2	0.2	0.2	0.000	4
				Supp.	*	*	*	*	*
			Remove and Install	Total	0.6	0.5	0.5	0.416	242
				Org.	0.6	0.5	0.5	0.399	227
				Supp.	1.1	1.0	1.0	0.387	15
				Total	0.5	0.5	0.5	0.309	20
	Org.	0.5	0.5	0.5	0.217	14			
	Supp.	*	*	*	*	*			
2	Particle Separator	29451092364	Install	Total	0.7	0.5	0.5	0.442	11
				Org.	0.7	0.5	0.5	0.442	11
				Supp.	*	*	*	*	*
			Replace	Total	2.8	2.5	2.0	1.451	72
				Org.	2.9	3.0	4.0	1.495	60
				Supp.	2.3	2.0	2.0	1.137	12
			Repair	Total	1.8	1.0	1.0	1.316	29
				Org.	1.2	1.0	1.0	0.946	10
				Supp.	2.0	1.5	0.5	1.419	19
			Service	Total	1.5	1.0	1.0	0.902	31
	Org.	1.6	1.5	1.0	1.009	21			
	Supp.	1.2	1.0	1.0	0.532	10			
	Total	2.2	2.0	2.0	1.679	403			
	Org.	1.8	1.5	2.0	1.309	294			
	Supp.	3.1	2.5	2.0	2.183	109			

\* Insufficient Data

OH-53A FLAT RATE DATA  
 FUNCTIONAL GROUP 01  
 REFERENCE FIGURE 26

ITEM NO.	NOMENCLATURE	FSM/PN	ACTION CODE	MAINT. LEVEL	MEAN	MEDIAN	MODE	STD. DEV.	SAMPLE SIZE			
	Particle Separator (Cont'd)		Remove	Total	1.4	1.0	0.5	0.808	37			
				Org.	1.4	1.0	1.0	0.837	28			
				Supp.	1.4	1.6	2.0	0.758	9			
			Install		Total	2.2	2.0	2.0	1.310	31		
					Org.	1.8	1.5	2.0	1.280	22		
					Supp.	3.1	3.0	4.0	0.928	9		
						Total						
						Org.						
						Supp.						
					Total							
					Org.							
					Supp.							
					Total							
					Org.							
					Supp.							
			Total									
			Org.									
			Supp.									

\*Insufficient Data



OH-53A FLAT RATE DATA  
 FUNCTIONAL GROUP 01  
 REFERENCE FIGURE 27

ITEM NO.	NOMENCLATURE	FSN/PN	ACTION CODE	MAINT. LEVEL	MEAN	MEDIAN	MODE	STD. DEV.	SAMPLE SIZE
1	Bracket	53401760432	Replace	Total	2.1	1.0	1.0	1.773	12
				Org.	*	*	*	*	*
			Repair	Supp.	2.6	1.5	5.0	1.862	9
				Org.	*	*	*	*	*
			Repair	Supp.	1.2	1.0	1.0	0.576	17
				Org.	*	*	*	*	*
2	Cowling	15601681686	Replace	Total	1.3	1.0	1.0	0.601	13
				Org.	*	*	*	*	*
			Replace	Supp.	1.1	1.0	1.0	0.624	12
				Org.	*	*	*	*	*
			Repair	Supp.	1.3	1.0	1.0	0.501	9
				Org.	*	*	*	*	*
			Repair	Total	2.6	2.0	2.0	1.690	215
				Org.	1.8	1.5	0.5	1.266	49
			Repair	Supp.	2.8	2.0	2.0	1.706	164
				Org.	*	*	*	*	*
			Service	Total	1.6	1.0	0.5	1.273	75
				Org.	1.3	1.0	0.5	1.045	45
Initial Inspection	Supp.	2.2	1.5	1.0	1.422	30			
	Org.	*	*	*	*	*			
Final Inspection	Total	0.6	0.5	0.5	0.595	26			
	Org.	*	*	*	*	*			
Final Inspection	Supp.	0.6	0.5	0.5	0.544	24			
	Org.	*	*	*	*	*			
Remove and Install	Total	0.4	0.5	0.5	0.222	29			
	Org.	*	*	*	*	*			
Remove and Install	Supp.	0.4	0.5	0.5	0.222	29			
	Org.	*	*	*	*	*			
Remove	Total	1.2	0.5	0.5	1.243	1,226			
	Org.	0.8	0.5	0.5	0.839	916			
Remove	Supp.	2.4	2.0	2.0	1.477	310			
	Org.	*	*	*	*	*			
Remove	Total	1.4	1.0	1.0	0.995	67			
	Org.	1.3	1.0	0.5	1.069	49			
Remove	Supp.	1.3	1.0	1.0	0.663	25			
	Org.	*	*	*	*	*			

\*Insufficient Data



OH-53A FLAT RATE DATA  
 FUNCTIONAL GROUP 01  
 REFERENCE FIGURE 27

ITEM NO	NOMENCLATURE	P/N/PN	ACTION CODE	MAINT LEVEL	MEAN	MEDIAN	MODE	STD. DEV.	NO. OF OBS.			
3	Cowlng (Cont'd)  Door Latch	15606461720	Install	Total	1.4	1.0	1.0	0.787	34			
				Org.	1.2	1.0	1.0	0.716	21			
				Supp.	1.6	2.0	2.0	0.841	13			
			Replace	Total	1.3	1.0	1.0	0.657	32			
				Org.	1.3	1.0	1.0	0.668	9			
				Supp.	1.2	1.0	1.0	0.430	21			
			Adjust	Total	1.2	1.0	1.0	0.618	9			
				Org.	1.4	1.0	1.0	0.535	7			
				Supp.	*	*	*	*	*			
			4	Cone Assy	15601354656	Repair	Total	2.2	2.0	2.0	1.434	66
							Org.	1.8	2.0	2.0	0.757	10
							Supp.	2.2	2.0	2.0	1.477	54
Service	Total	2.2				2.0	2.0	1.183	15			
	Org.	1.6				2.0	2.0	1.059	9			
	Supp.	3.0				3.0	4.0	0.894	6			
Initial Inspection	Total	0.4				0.5	0.5	0.276	9			
	Org.	*				*	*	*	*			
	Supp.	0.4				0.5	0.5	0.276	9			
Final Inspection	Total	0.4				0.5	0.5	0.297	8			
	Org.	*				*	*	*	*			
	Supp.	0.4				0.5	0.5	0.297	6			
Replace	Total	2.0	2.0	2.0	1.146	9						
	Org.	1.5	1.0	2.0	0.577	4						
	Supp.	*	*	*	*	*						
5	Door Assy	15601773910	Remove and Install	Total	2.0	2.0	2.0	1.157	38			
				Org.	1.5	1.0	1.0	0.707	10			
				Supp.	2.2	2.0	2.0	1.236	26			

OH-53A FLAT RATE DATA  
 FUNCTIONAL GROUP 01  
 REFERENCE FIGURE 27

ITEM NO	DESCRIPTION	FUN/FE	ACTION CODE	MAINT LEVEL	MEAS	MELIAN	MODE	TIME DEV	QUANTITY
6	Cover Assy	15601814166 15601814169	Replace	Total	1.2	1.0	1.0	0.632	44
				ORG	1.1	1.0	1.0	0.562	35
				SUPP	1.9	2.0	2.0	0.499	9
				Total	1.0	1.0	1.0	0.544	12
			Remove and Install	ORG	1.0	1.0	1.0	0.548	6
				SUPP	0.9	0.5	0.5	0.585	6
				Total	0.7	0.5	0.5	0.410	6
				ORG	0.7	0.5	0.5	0.410	6
7	Aft Pairing Assy	15604447657	Replace	Total	1.6	1.0	1.0	0.950	7
				ORG	*	*	*	*	*
				SUPP	1.1	1.0	1.0	0.548	5
				Total	1.5	1.0	2.0	0.548	6
			Repair	ORG	*	*	*	*	*
				SUPP	1.6	2.0	2.0	0.548	5
				Total	0.7	0.5	0.5	0.518	127
				ORG	0.6	0.5	0.5	0.385	102
8	Engine Access Door	15604915317	Repair	SUPP	1.2	1.0	1.0	0.645	25
				Total	2.2	2.0	2.0	1.137	14
				ORG	*	*	*	*	*
				SUPP	2.5	2.0	2.0	1.049	11
9	Flush Catch	53-C53076-2	Remove and Install	Total	0.9	1.0	1.0	0.233	8
				ORG	*	*	*	*	*
				SUPP	0.9	1.0	1.0	0.191	7
				Total	1.7	2.0	2.0	1.159	39
			Replace	ORG	*	*	*	*	*
				SUPP	1.8	2.0	2.0	1.137	27

OH-53A FLAT RATE DATA

OH-53A FLAT RATE DATA  
 FUNCTIONAL GROUP 01  
 REFERENCE FIGURE 27

ITEM NO.	DESCRIPTION	FSM/PN	ACTION CODE	MAINT LEVEL	MEAN	MEDIAI	MODE	UNIT COST	AVAILABILITY
10	Rod Assy	15601275800	Replace	Total	0.9	1.0	1.0	0.359	12
				Org.	0.9	1.0	1.0	0.375	11
				Supp.	*	*	*	*	*
11	Side Panel Cowl Assy	15601681685	Repair	Total	1.9	1.5	1.0	1.303	13
				Org.	*	*	*	*	*
				Supp.	2.1	2.0	1.0	1.224	11
				Total	0.9	1.0	1.0	0.493	19
				Org	0.8	0.5	0.5	0.575	10
			Install	Supp.	1.1	1.0	1.0	0.333	9
			Total						
			Org.						
			Supp.						
			Total						
			Org						
			Supp.						
			Total						
			Org						
			Supp.						
			Total						
			Org						
			Supp.						
			Total						
			Org						
			Supp.						
			Total						
			Org						
			Supp.						
			Total						
			Org						
			Supp.						
			Total						
			Org						
			Supp.						
			Total						
			Org						
			Supp.						

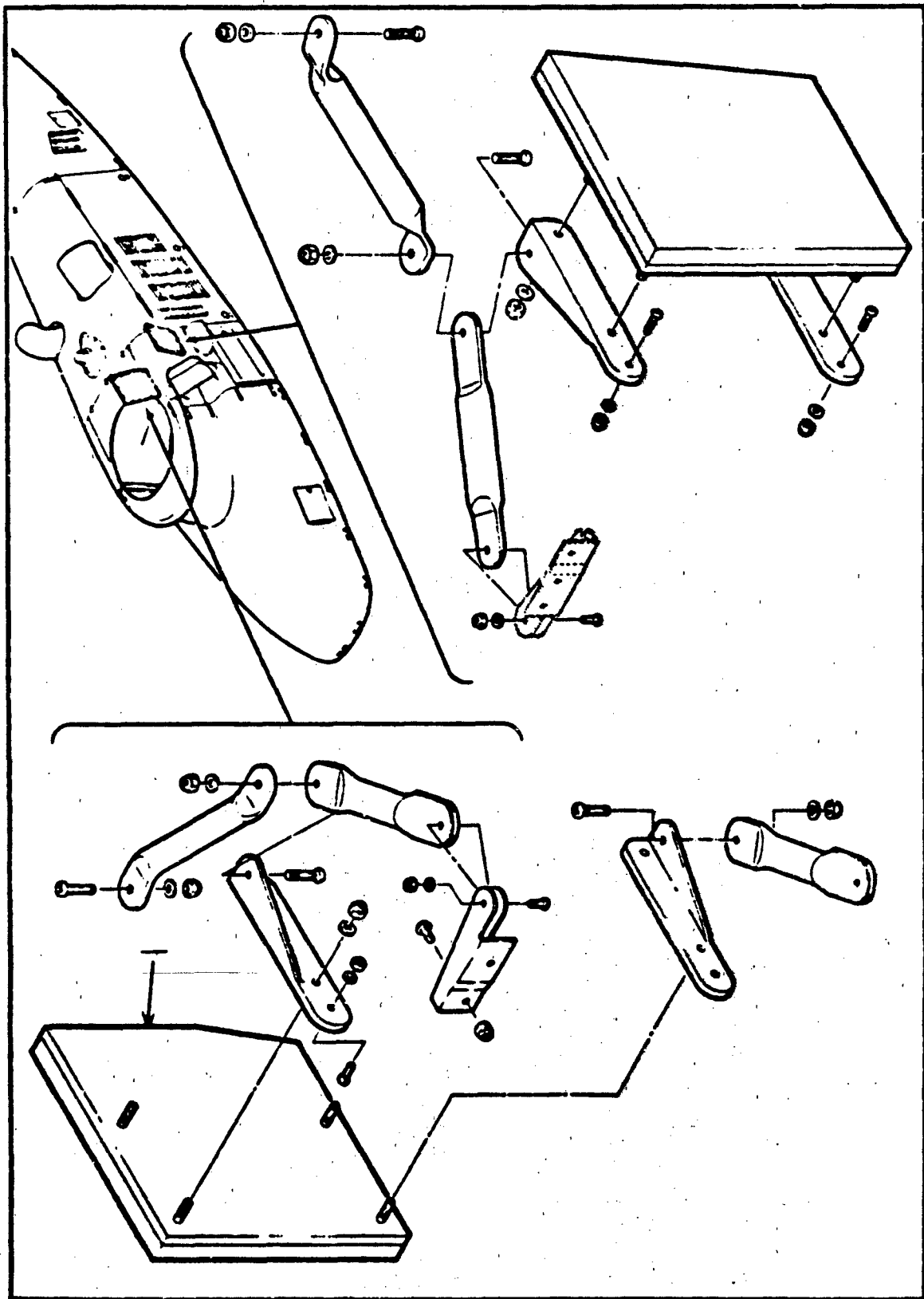


Figure 26 Passive Defense Installation

OH-53A FLAT RATE DATA  
 FUNCTIONAL GROUP 01  
 REFERENCE FIGURE 28

ITEM NO.	NOMENCLATURE	FSN/PN	ACTION CODE	MAINT. LEVEL	MEAN	MDIAN	MODE	STD. DEV.	SAMPLE SIZE
1	Armor Plate	15604566051 15604620439	Remove and Install	Total	2.0	2.0	2.0	1.007	78
				Org.	*	*	*	*	
			Remove	Total	2.0	2.0	2.0	0.999	72
				Org.	1.1	1.0	1.0	0.423	11
				Supp.	0.9	1.0	1.0	0.273	9
				Supp.	*	*	*	*	*
				Total					
				Org.					
				Supp.					
				Total					
				Org.					
				Supp.					
				Total					
				Org.					
				Supp.					
				Total					
				Org.					
				Supp.					
				Total					
				Org.					
				Supp.					
				Total					
				Org.					
				Supp.					

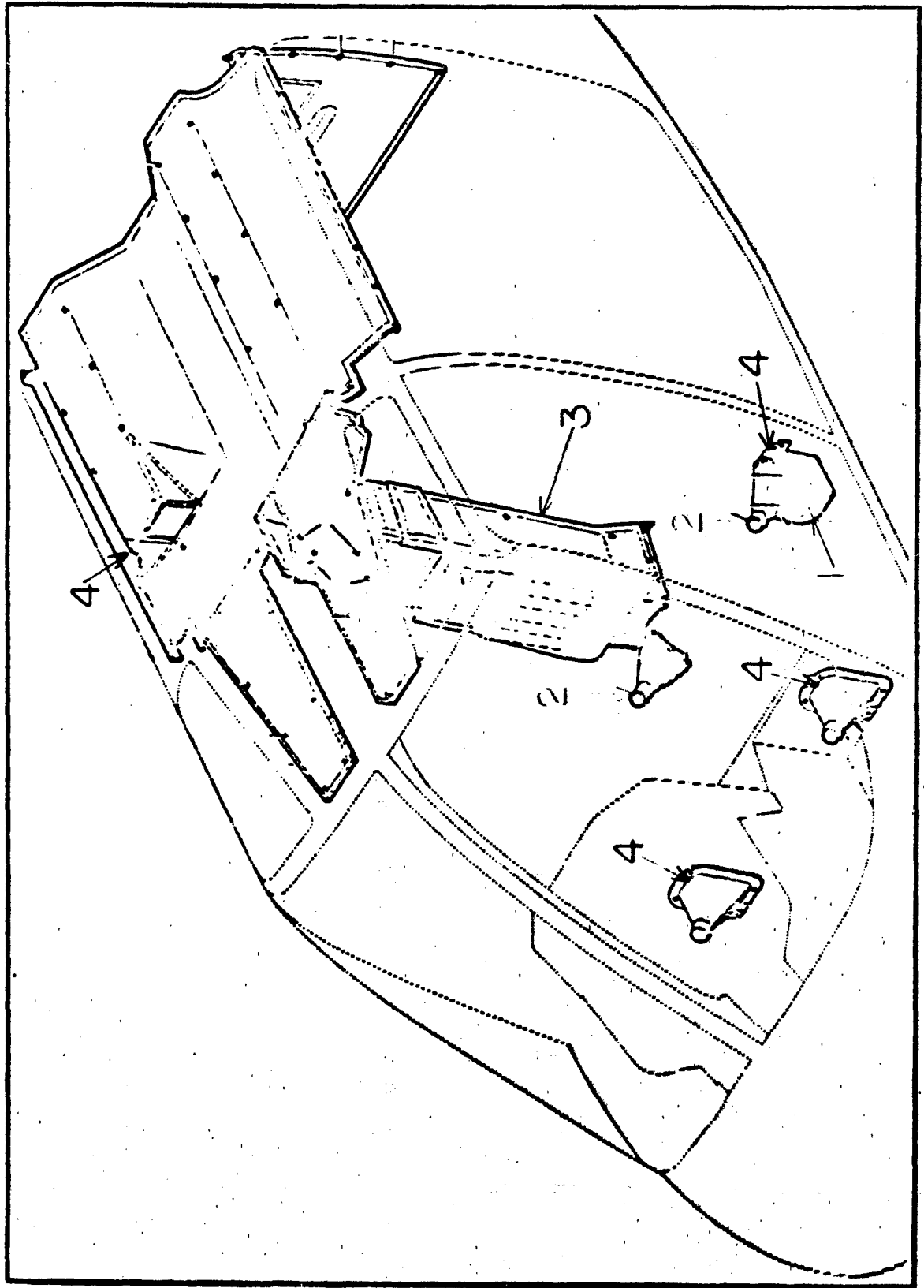


Figure 29 Soundproofing Installation

OH-58A FLAT RATE DATA  
 FUNCTIONAL GROUP 01  
 REFERENCE F: PF J

ITEM NO.	NOMENCLATURE	FSN/PN	ACTION CODE	MAINT. LEVEL	MEAN	MEDIAN	MODE	STD. DEV.	SAMPLE SIZE
1	Cover Assy	16801230722	Replace	Total	0.6	0.5	0.3	0.319	7
				Org.	0.6	0.5	0.3	0.319	7
				Supp.	*	*	*	*	*
2	Dust & Moisture Boot	16801331217 16801331218	Replace	Total	0.9	0.5	0.5	0.678	15
				Org.	0.9	0.5	0.5	0.678	15
				Supp.	*	*	*	*	*
3	Blanket Assy	15601296214 15601762104 15602229262 15602229263	Replace	Total	0.9	0.5	0.5	0.639	167
				Org.	0.8	0.5	0.5	0.563	152
				Supp.	*	*	*	*	*
			Remove and Install	Total	0.7	0.5	0.5	0.440	21
				Org.	0.6	0.5	0.5	0.323	18
				Supp.	*	*	*	*	*
4	Sound Proofing Installation	2060703031	Remove	Total	0.4	0.3	0.2	0.283	22
				Org.	*	*	*	*	*
				Supp.	0.4	0.3	0.2	0.254	20
			Remove and Install	Total	0.4	0.3	0.2	0.229	51
				Org.	0.4	0.3	0.2	0.199	49
				Supp.	*	*	*	*	*
Remove	Total	0.7	0.5	0.5	0.274	5			
	Org.	0.7	0.5	0.5	0.274	5			
	Supp.	*	*	*	*	*			
				Total					
				Org.					
				Supp.					
				Total					
				Org.					
				Supp.					

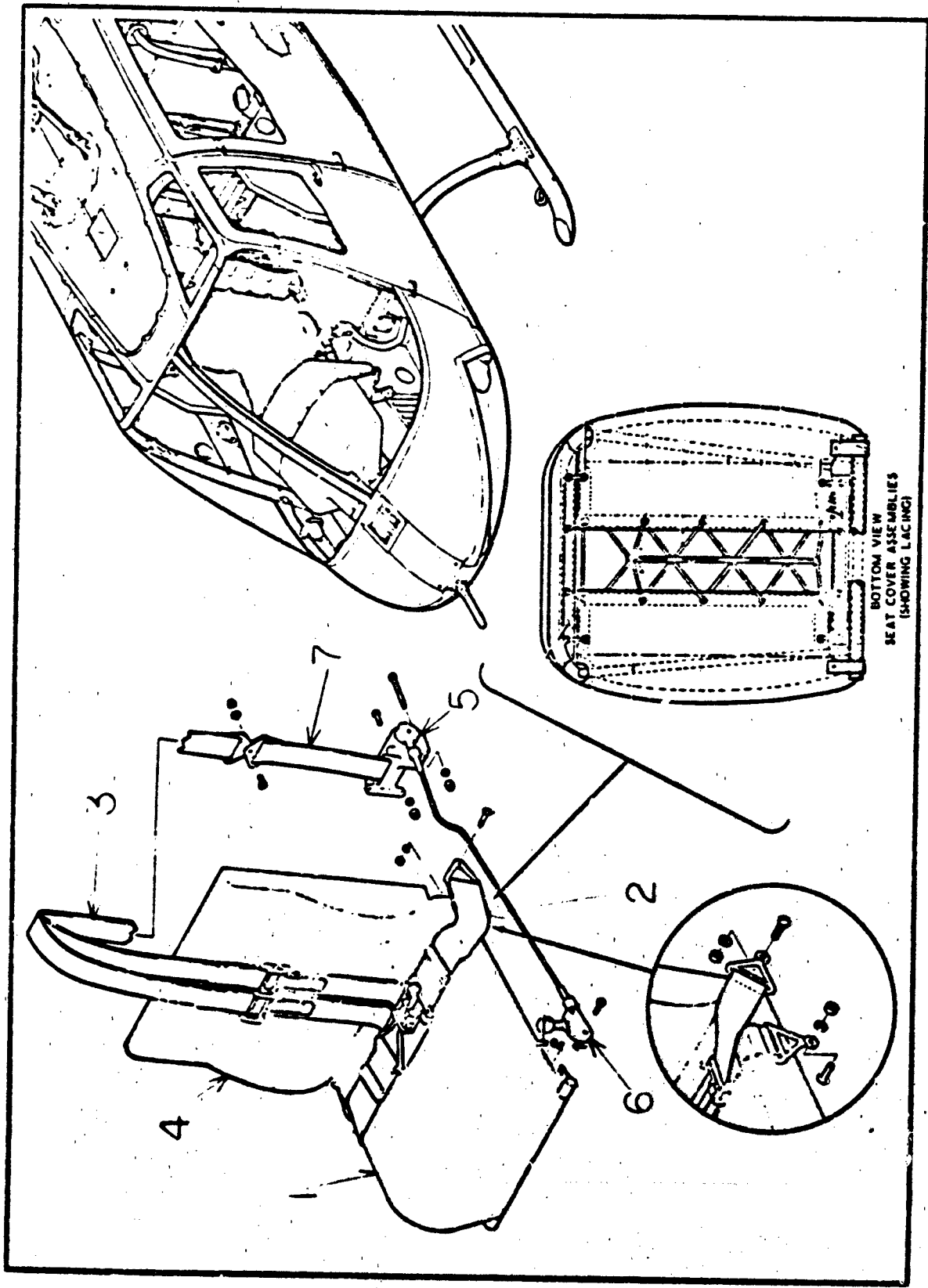


Figure 30 Crew Seating and Restraint Installation



OH-53A FLAT RATE DATA  
FUNCTIONAL GROUP 01  
REFERENCE FIGURP 30

ITEM NO.	NOMENCLATURE	FSN/PH	ACTION CODE	MAINT. LEVEL	MEAN	MEDIAN	MODE	STD. DEV.	SAMPLE SIZE
1	Seat Cushion	16801791226	Replace	Total	0.6	0.5	0.5	0.268	11
				Org.	0.4	0.5	0.5	0.108	7
				Supp.	0.9	1.0	1.0	0.252	4
			Service	Total	1.3	1.0	1.0	0.615	6
				Org.	*	*	*	*	*
				Supp.	1.3	1.0	1.0	0.503	4
			Remove and Install	Total	0.8	1.0	1.0	0.408	21
				Org.	0.7	0.7	1.0	0.442	17
				Supp.	1.0	1.0	1.0	0.000	4
			Install	Total	0.6	0.5	0.5	0.300	15
Org.	0.6	0.5		0.5	0.277	11			
Supp.	0.9	1.0		1.0	0.252	4			
2	Safety Belt	16805166543	Replace	Total	1.5	1.0	1.0	1.196	35
				Org.	1.2	1.0	1.0	0.691	23
				Supp.	2.0	1.0	1.0	1.432	11
			Adjust	Total	1.5	2.0	2.0	0.974	7
				Org.	*	*	*	*	*
				Supp.	2.3	2.0	2.0	0.503	4
			Repair	Total	1.1	0.5	0.5	0.883	9
				Org.	*	*	*	*	*
				Supp.	1.3	0.5	0.5	1.038	6
			Service	Total	1.0	1.0	1.0	0.523	32
Org.	0.8	1.0		1.0	0.394	17			
Supp.	1.3	1.0		1.0	0.552	15			
Remove and Install	Total	0.8	0.5	0.5	0.501	10			
	Org.	0.8	0.5	0.5	0.501	10			
	Supp.	*	*	*	*	*			

OH-53A FLAT RATE DATA  
 FUNCTIONAL GROUP 01  
 REFERENCE FIGURE 30

ITEM NO.	NOMENCLATURE	FSM/PN	ACTION CODE	MAINT. LEVEL	MEAN	MEDIAN	MODE	STD. DEV.	SAMPLE SIZE
3	Safety Belt (Cont'd)		Install	Total	1.0	1.0	1.0	0.456	12
				Org.	0.9	1.0	1.0	0.370	8
				Supp.	*	*	*	*	*
			Replace	Total	1.1	1.0	1.0	0.636	47
				Org.	1.0	1.0	1.0	0.504	37
				Supp.	1.5	1.5	2.0	0.702	9
			Repair	Total	1.0	1.0	1.0	0.612	5
				Org.	*	*	*	*	*
				Supp.	1.1	1.0	1.0	0.630	4
Service	Total	1.2	1.0	1.0	0.570	5			
	Org.	*	*	*	*	*			
	Supp.	1.2	1.0	1.0	0.570	5			
Remove and Install	Total	0.8	0.5	0.5	0.483	10			
	Org.	0.7	0.5	0.5	0.567	7			
	Supp.	*	*	*	*	*			
4	Cushion Assy	16801791226 16801791231	Install	Total	0.9	0.5	0.5	0.652	5
				Org.	1.2	1.0	2.0	0.765	3
				Supp.	0.5	0.5	0.5	0.000	2
			Replace	Total	1.1	1.0	1.0	0.757	333
				Org.	1.0	1.0	0.5	0.693	306
				Supp.	1.8	2.0	1.0	1.242	27
			Repair	Total	1.8	2.0	2.0	0.447	5
				Org.	2.0	2.0	2.0	0.000	2
				Supp.	1.7	2.0	2.0	0.579	3
Remove and Install	Total	0.8	0.5	0.5	0.860	94			
	Org.	0.7	0.5	0.5	0.487	81			
	Supp.	0.9	0.5	0.2	0.963	9			

\*Insufficient Data

OH-53A FLAT RATE DATA  
 FUNCTIONAL GROUP 01  
 REFERENCE FIGURE 30

ITEM NO.	NOMENCLATURE	FSN/PM	ACTION CODE	MAINT. LEVEL	MEAN	MEDIAN	MODE	STD DEV.	SAMPLE SIZE
	Cushion Assy (Cont'd)		Remove	Total	0.7	0.5	0.5	0.259	8
				Org.	0.7	0.5	0.5	0.259	8
			Supp.	*	*	*	*	*	*
5	Reel Assy	16807754182	Install	Total	0.8	0.5	0.5	0.483	10
				Org.	0.7	0.5	0.5	0.252	9
			Supp.	*	*	*	*	*	*
			Replace	Total	1.4	1.0	1.0	0.598	78
				Org.	1.4	1.0	1.0	0.611	71
			Supp.	*	*	*	*	*	*
6	Control Assy	16809208394	Repair	Total	1.3	1.0	1.0	0.526	9
				Org.	1.3	1.0	1.0	0.394	7
			Supp.	*	*	*	*	*	*
			Remove and Install	Total	0.8	0.5	0.5	0.589	9
				Org.	0.8	0.5	0.5	0.589	9
			Supp.	*	*	*	*	*	*
Remove	Total	0.8	0.4	0.4	0.640	6			
	Org.	*	*	*	*	*	*		
Supp.	0.9	0.5	0.4	0.686	5				
7	Strap Assy	16806329608	Replace	Total	1.3	1.0	2.0	0.671	5
				Org.	1.5	1.0	2.0	0.577	1
			Supp.	*	*	*	*	*	*
			Replace	Total	1.2	1.0	2.0	0.746	7
				Org.	1.2	1.0	2.0	0.746	7
Supp.	*	*	*	*	*	*	*		
Total									
Org.									
Supp.									

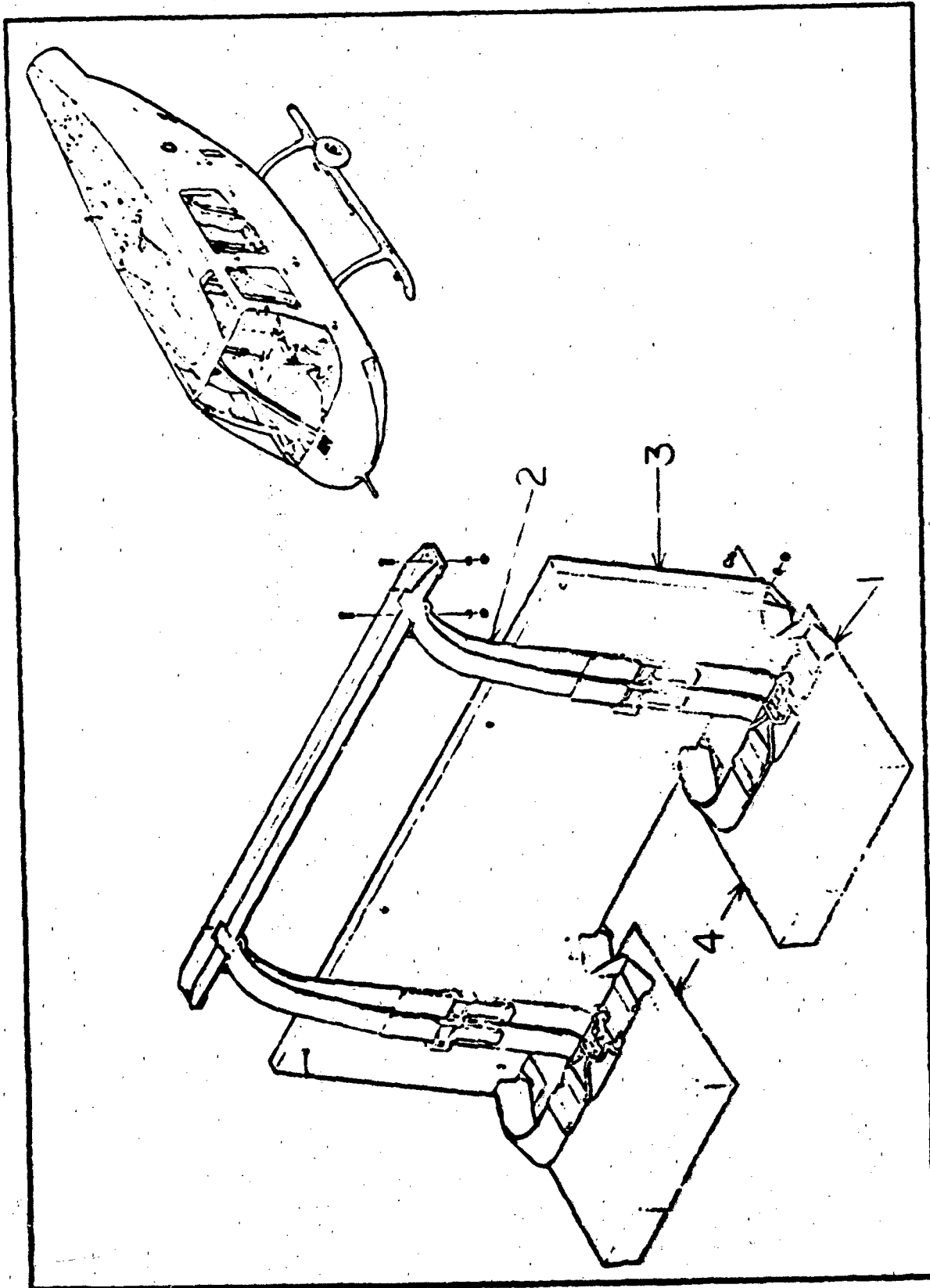


Figure 3. Passenger's Seating and Restraint Installation

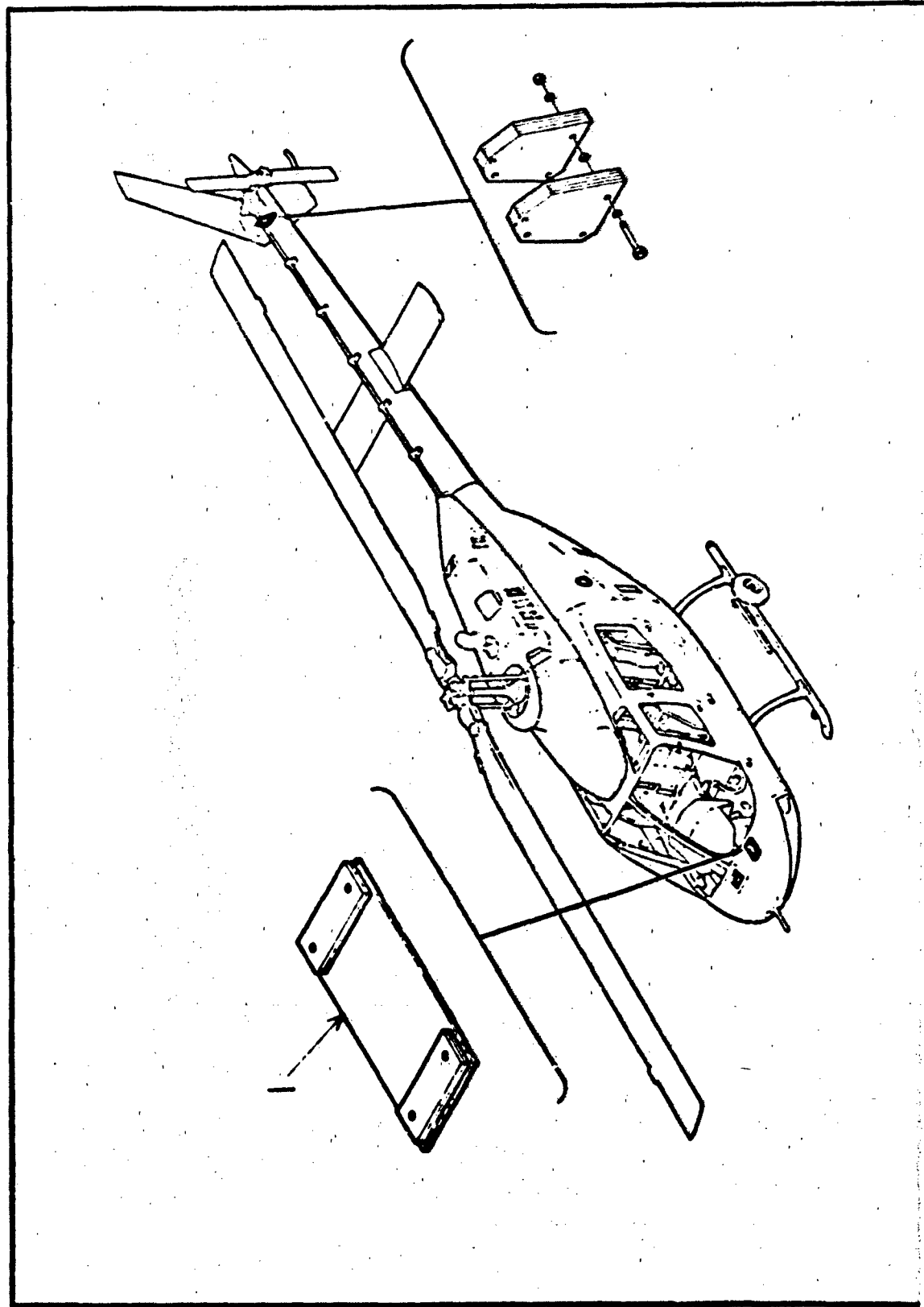
OH-53A FLAT RATE DATA  
 FUNCTIONAL GROUP 01  
 REFERENCE FIGURF 31

ITEM NO.	DESCRIPTION	FSN/PN	ACTION CODE	MAINT. LEVEL	MEAN	MEDIAN	MODE	STD. DEV.	SAMPLE SIZE
1	Safety Belt Assy	16802671110	Replace	Total	1.0	1.0	1.0	0.489	27
				Org.	0.9	1.0	1.0	0.369	23
				Supp.	*	*	*	*	*
			Remove and Install	Total	0.9	1.0	0.5	0.556	11
2	Safety Harness	16801255926	Install	Org.	0.9	1.0	1.0	0.556	11
				Supp.	0.5	0.3	0.3	0.304	5
				Org.	0.5	0.3	0.3	0.304	5
				Supp.	*	*	*	*	*
3	Cushion Assy	16801230718	Replace	Total	1.0	1.0	1.0	0.466	18
				Org.	0.9	1.0	1.0	0.463	13
				Supp.	*	*	*	*	*
			Install	Total	0.8	0.3	0.3	0.674	6
4	Cushioning Pad	16801858311	Replace	Org.	0.8	0.3	0.3	0.674	6
				Supp.	*	*	*	*	*
				Total	0.7	0.5	0.5	0.442	51
			Remove and Install	Org.	0.7	0.5	0.5	0.419	44
5	Cushioning Pad	16801858311	Replace	Supp.	0.5	0.2	0.2	0.147	7
				Total	0.3	0.2	0.2	0.134	6
				Org.	0.3	0.2	0.2	0.134	6
				Supp.	*	*	*	*	*
6	Cushioning Pad	16801858311	Replace	Total	0.8	0.5	0.5	0.505	73
				Org.	0.7	0.5	0.5	0.471	61
				Supp.	1.1	1.0	1.0	0.616	12
				Total	0.8	0.5	0.5	0.505	73

\*Insufficient Data

OH-53A FLAT RATE DATA  
 FUNCTIONAL GROUP 01  
 REFERENCE FIGURE 31

ITEM NO.	NOMENCLATURE	FSN/PN	ACTION CODE	MAINT. LEVEL	MEAN	MEDIAN	MODE	STD. DEV.	SAMPLE SIZE	
	Cushioning Pad (Cont'd)		Remove and Install	Total	0.5	0.5	0.5	0.309	16	
			Org.	0.6	0.5	0.5	0.314	14		
			Supp.	*	*	*	*	*	*	
			Install	Total	0.7	0.5	0.5	0.734	9	
				Org.	0.7	0.5	0.5	0.734	9	
				Supp.	*	*	*	*	*	*
				Total						
				Org.						
				Supp.						
				Total						
				Org.						
				Supp.						
				Total						
				Org.						
				Supp.						
				Total						
				Org.						
				Supp.						
				Total						
				Org.						
				Supp.						
				Total						
				Org.						
				Supp.						
				Total						
				Org.						
				Supp.						
				Total						
				Org.						
				Supp.						
				Total						
				Org.						
				Supp.						

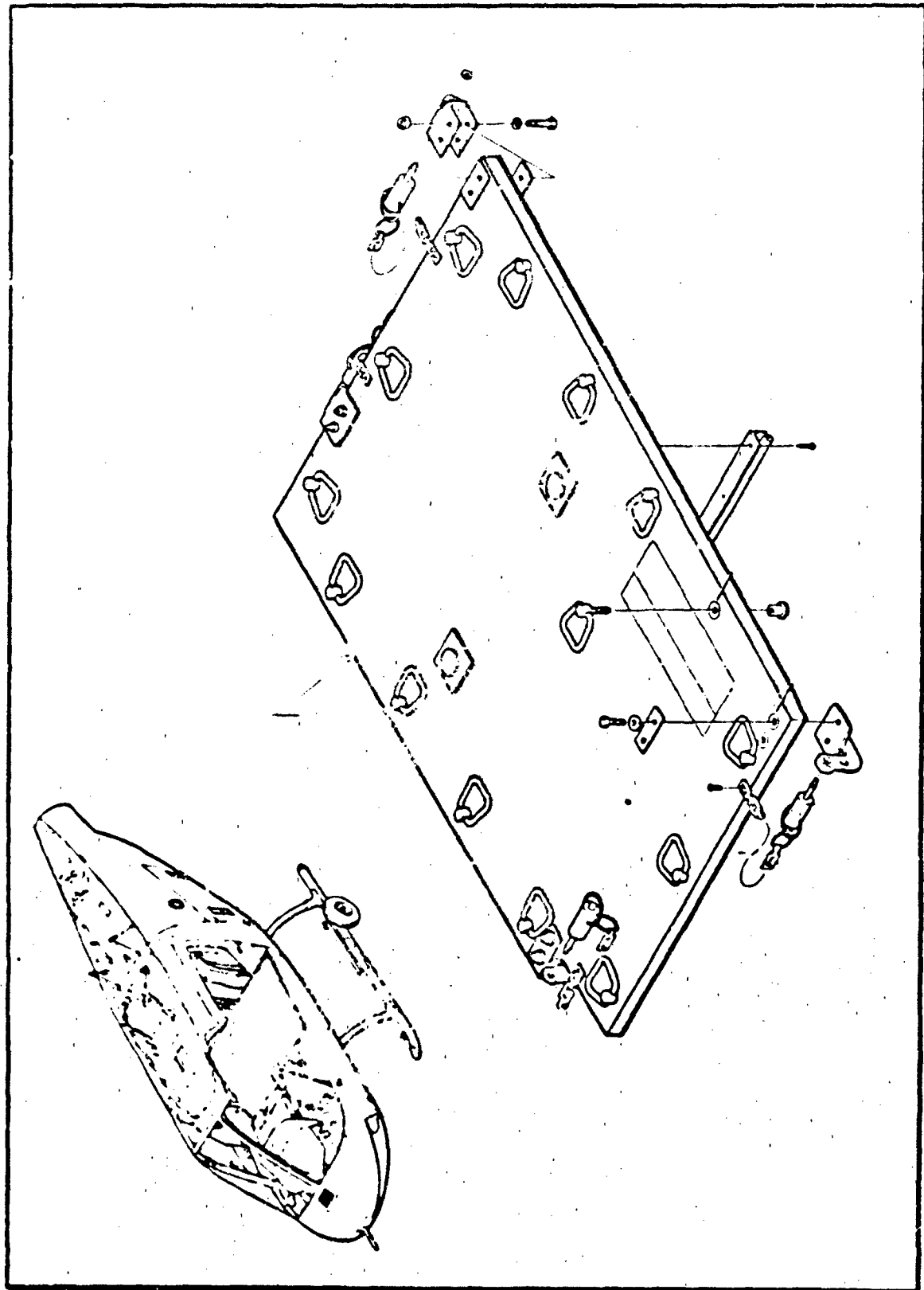


OH-53A FLAT RATE DATA  
 FUNCTIONAL GROUP 01  
 REFERENCE FIGURE 32

ITEM NO.	NOMENCLATURE	FSN/PN	ACTION CODE	MAINT. LEVEL	MEAN	MEDIAN	MODE	STD. DEV.	CAMILE SIZE		
1	Nose Ballast Assy	156017615 24 156017615 24	Remove	Total	1.5	1.0	2.0	0.590	6		
				Org.	1.5	1.0	2.0	0.590	6		
				Supp.	*	*	*	*	*		
				Total							
				Org.							
				Supp.							
				Total							
				Org.							
				Supp.							
				Total							
				Org.							
				Supp.							

Elementary Data

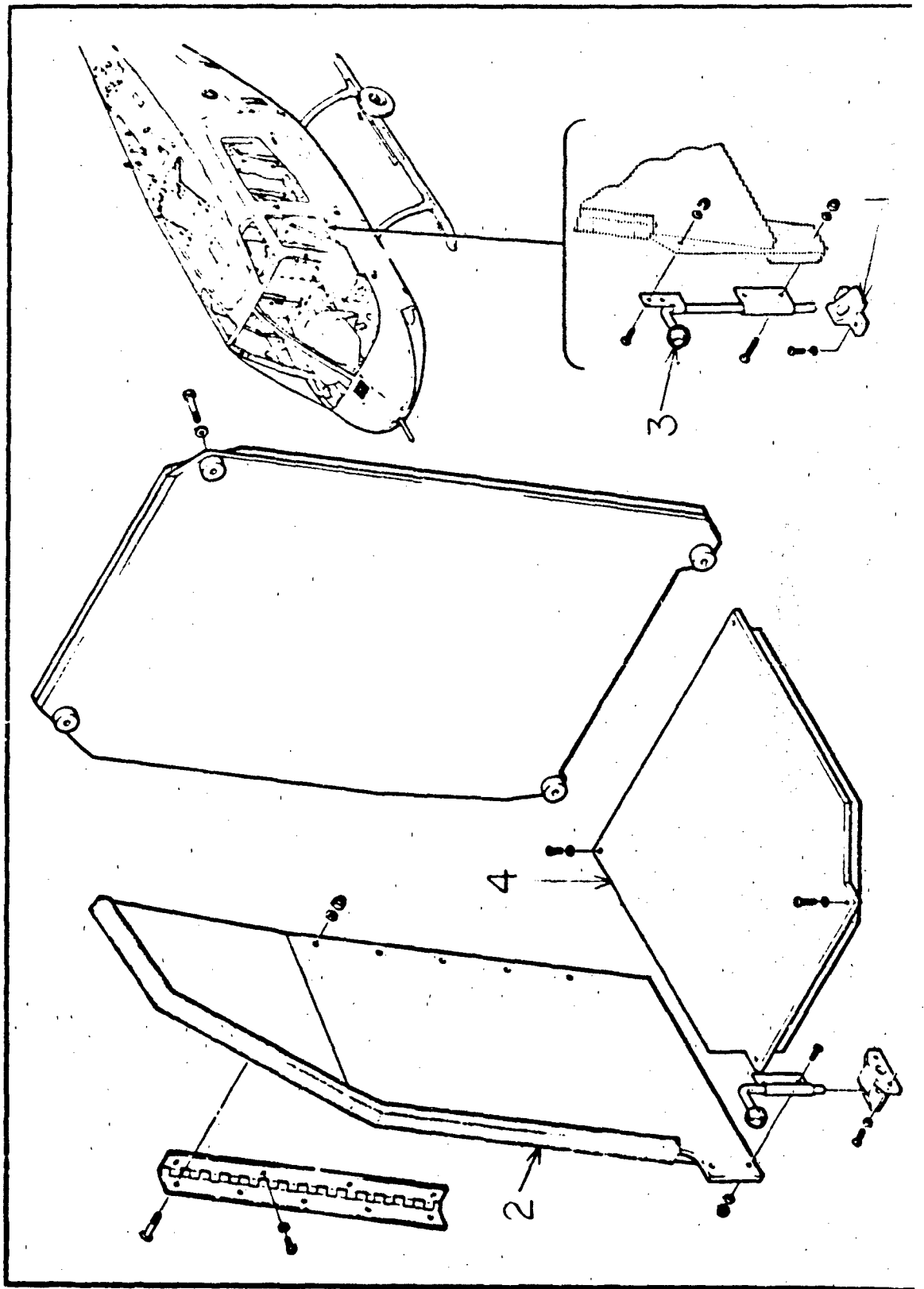




OH-53A FLAT RATE DATA  
 FUNCTIONAL GROUP 01  
 REFERENCE FIGURE 33

ITEM NO.	NOMENCLATURE	FCM/PN	ACTION CODE	MAINT. LEVEL	MEAN	MEDIAN	MODE	STD. DEV.	SAMPLE SIZE	
1	Cargo Platform	15604841069	Repair	Total	2.4	2.0	2.0	1.115	26	
				Org.	*	*	*	*	*	
				Supp.	2.8	2.0	2.0	1.095	19	
				Total						
				Org.						
				Supp.						
				Total						
				Org.						
				Supp.						
				Total						
				Org.						
				Supp.						

\*Insufficient Data



OH-53A FLAT RATE DATA  
 FUNCTIONAL GROUP 01  
 REFERENCE FIGURE 34

ITEM NO.	NOMENCLATURE	FUN/FN	ACTION CODE	MAINT LEVEL	MEAN	MEDIAN	MODE	STD. DEV.	SAMPLE SIZE
1	Fitting	16801258870 16801305859	Replace	Total	1.0	1.0	1.0	0.362	12
				Org.	0.8	1.0	1.0	0.259	13
				Supp.	1.0	1.0	1.0	0.323	1
2	Armor Panel Assy	16801258869	Replace	Total	1.2	1.0	1.0	0.335	10
				Org.	1.1	1.0	1.0	0.314	11
				Supp.	*	*	*	*	*
				Total	2.1	1.5	1.0	1.2-0	7
				Org.	*	*	*	*	*
				Supp.	2.1	1.5	1.0	1.2-0	7
3	Hinge Assy	53401343355 53401811379	Replace	Total	0.8	0.5	0.5	0.426	14
				Org.	0.8	0.5	0.5	0.426	11
				Supp.	*	*	*	*	*
				Total	0.9	1.0	0.5	0.537	115
				Org.	0.9	0.7	0.5	0.547	109
				Supp.	*	*	*	*	*
4	Armor Assy	16801287484 16801287394	Remove and Install	Total	1.2	1.0	1.0	0.767	132
				Org.	1.0	1.0	0.5	0.616	103
				Supp.	1.8	1.5	1.0	0.911	29
				Total	1.0	0.5	0.5	0.723	11
				Org.	1.3	1.0	0.5	0.872	14
				Supp.	0.6	0.5	0.2	0.507	30
			Install	Total	1.3	1.0	1.0	0.663	17
				Org.	1.1	1.0	1.0	0.433	11
				Supp.	*	*	*	*	*
				Total					
				Org.					
				Supp.					

UNCLASSIFIED

FUNCTIONAL GROUP 01  
MISCELLANEOUS ITEMS

OH-53A FLAT RATE DATA  
 FUNCTIONAL GROUP 01  
 MISCELLANEOUS

ITEM NO.	NOMENCLATURE	FSN/PN	ACTION CODE	MAINT. LEVEL	MEAN	MEDIAN	MODE	STL DEV.	SAMPLE SIZE
--	Nut	**	Replace	Total	3.4	3.0	3.0	2.222	18
				Org.	3.0	3.0	3.0	1.409	9
				Supp.	3.8	3.0	2.0	2.852	9
--	Receptacle	**	Replace	Total	1.9	1.0	1.0	1.625	11
				Org.	1.9	1.0	1.0	1.817	5
				Supp.	1.9	1.0	2.0	1.625	6
--	Rivet	**	Replace	Total	2.2	2.0	1.0	1.492	46
				Org.	*	*	*	*	*
				Supp.	2.2	2.0	1.0	1.535	42
--	Retainer	**	Repair	Total	1.5	1.5	2.0	0.858	25
				Org.	*	*	*	*	*
				Supp.	1.6	1.5	2.0	0.816	22
--	Fastener	**	Replace	Total	1.9	2.0	2.0	0.601	9
				Org.	1.9	2.0	2.0	0.641	8
				Supp.	*	*	*	*	*
--	Fastener	**	Replace	Total	1.2	1.0	1.0	0.662	54
				Org.	0.9	1.0	0.5	0.502	18
				Supp.	1.4	1.0	1.0	0.634	35
--	Fastener	**	Repair	Total	1.0	1.0	0.5	0.554	30
				Org.	0.7	0.5	0.5	0.261	6
				Supp.	1.0	1.0	1.0	0.586	24
--	Fastener	**	Service	Total	2.3	2.0	4.0	1.181	14
				Org.	*	*	*	*	*
				Supp.	2.7	2.5	4.0	1.333	12
--	Fastener	**	Install	Total	0.8	0.5	0.5	0.410	6
				Org.	*	*	*	*	*
				Supp.	0.9	0.5	0.5	0.480	4

\* Insufficient Data  
 \*\* Items Identified by Nomenclature as Functional Group 01 Hardware.

OH-58A FLAT RATE DATA

FUNCTIONAL GROUP 01

MISCELLANEOUS

ITEM NO.	NOMENCLATURE	FSN/PN	ACTION CODE	MAINT. LEVEL	MEAN	MEDIAN	MODE	STD. DEV.	SAMPLE SIZE
---	Bolt	**	Replace	Total	0.8	0.5	0.5	0.180	32
				Org.	0.6	0.5	0.5	0.226	23
				Supp.	1.0	1.0	1.0	0.597	7
---			Adjust	Total	1.4	1.1	1.5	0.532	14
				Org.	1.5	1.5	1.5	0.921	12
				Supp.	*	*	*	*	*
---			Service	Total	0.7	0.5	0.5	0.261	6
				Org.	0.8	1.0	1.0	0.292	3
				Supp.	0.5	0.5	0.5	0.000	3
---			Remove and Install	Total	0.6	0.7	0.7	0.258	7
				Org.	0.7	0.7	0.7	0.279	6
				Supp.	*	*	*	*	*
---	Stud	**	Replace	Total	1.2	1.0	1.0	1.037	124
				Org.	0.7	0.5	0.5	0.549	60
				Supp.	1.6	1.0	1.0	1.208	64
---	Screw	**	Replace	Total	0.7	0.5	0.5	0.357	40
				Org.	0.7	0.5	0.5	0.387	32
				Supp.	0.6	0.5	0.5	0.207	8
---				Total					
				Org.					
				Supp.					
---				Total					
				Org.					
				Supp.					

\* Insufficient Data

\*\* Items Identified by Nomenclature as Functional Group 01 Hardware.

SECTION IV  
FUNCTIONAL GROUP 02  
LANDING GEAR SYSTEM



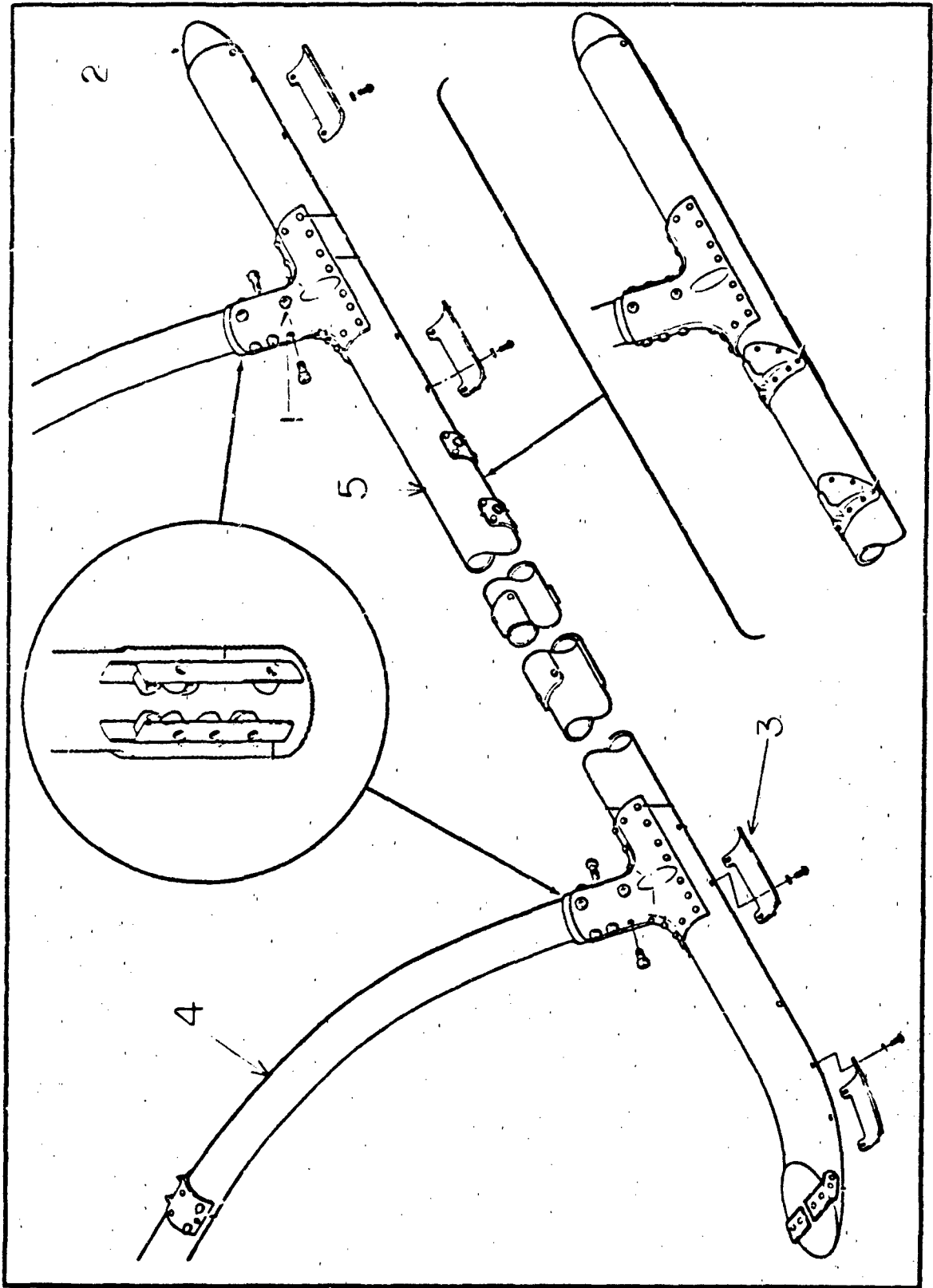


Figure 35 Landing Gear Assembly

OH-53A FLAT RATE DATA  
 FUNCTIONAL GROUP 02  
 REFERENCE FIGURE 35

ITEM NO.	NOMENCLATURE	FSN/PN	ACTION CODE	MAINT. LEVEL	MEAN	MEDIAN	MODE	STD. DEV.	SAMPLE SIZE
1	Screw	53051141977 53051775584	Replace	Total	1.0	1.0	1.0	0.576	8
				Org.	0.7	0.5	1.0	0.346	6
				Supp.	*	*	*	*	*
2	Plug	16302292954	Replace	Total	1.8	1.0	2.0	1.255	8
				Org.	1.2	1.0	2.0	0.754	5
				Supp.	*	*	*	*	*
3	Shoe Assy	16301362345	Replace	Total	1.9	2.0	1.0	1.077	72
				Org.	1.9	2.0	1.0	1.043	49
				Supp.	*	*	*	*	*
4	Cross Tube Assy	16201814747 16201814757	Repair	Total	2.5	2.0	1.0	1.665	19
				Org.	2.7	2.0	1.0	1.532	9
				Supp.	*	*	*	*	*
5	Skid Tube Assy	16201815469 16201815470	Replace	Total	2.4	2.0	2.0	1.401	128
				Org.	2.2	2.0	2.0	1.343	101
				Supp.	3.1	2.5	2.0	1.421	27
6	Adjust		Adjust	Total	1.4	1.0	1.0	0.791	12
				Org.	1.2	1.0	1.0	0.506	11
				Supp.	*	*	*	*	*
7	Skid Tube Assy	16201815469 16201815470	Replace	Total	3.0	2.5	2.0	1.310	408
				Org.	2.8	2.5	2.0	1.677	358
				Supp.	4.5	5.0	2.0	1.059	53
8	Repair		Repair	Total	3.9	4.0	3.0	2.100	23
				Org.	1.9	1.0	1.0	1.131	7
				Supp.	4.8	5.0	3.0	2.061	16
9				Total					
				Org.					
				Supp.					

\*Insufficient Data

SECTION V  
FUNCTIONAL GROUP 03  
POWER PLANT SYSTEM

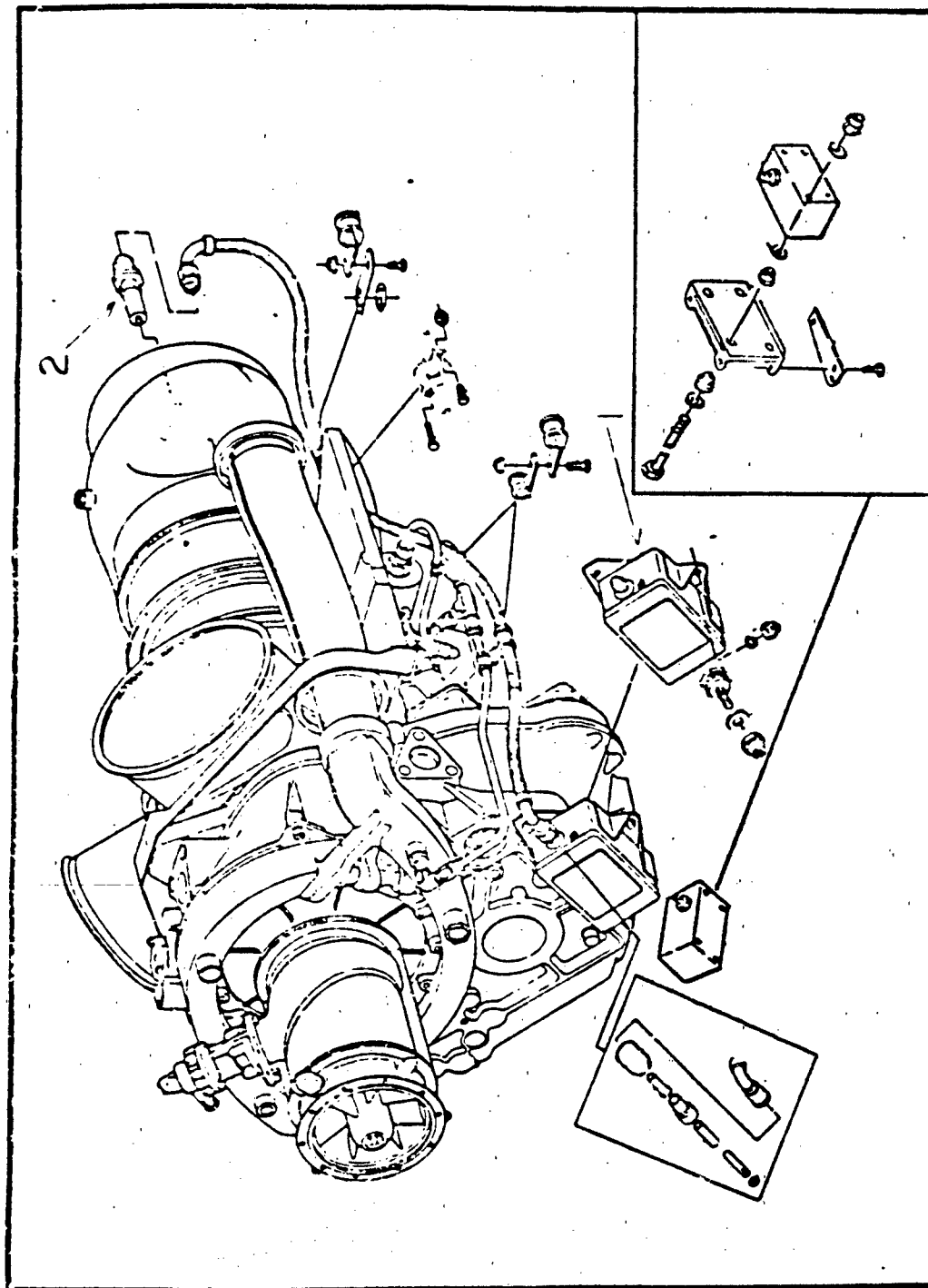


Figure 57 Electrical System Assembly, Engine

OH-53A FLAT RATE DATA  
 FUNCTIONAL GROUP 03  
 REFERENCE FIGURE 36

ITEM NO.	NOMENCLATURE	FSN/PN	ACTION CODE	MAINT. LEVEL	MEAN	MEDIAN	MODE	STD. DEV.	SAMPLE SIZE
1	Ignition Exciter Assy	29254441166	Replace	Total	1.8	1.0	1.0	0.000	10
				Org.	1.8	1.0	1.0	0.000	10
				Supp.	*	*	*	*	*
2	Gas Turbine Igniter Plus	29259234397	Replace	Total	1.4	1.0	1.0	0.000	10
				Org.	1.3	1.0	1.0	0.000	10
				Supp.	1.5	1.0	1.0	0.000	10
				Total					
				Org.					
				Supp.					
				Total					
				Org.					
				Supp.					
				Total					
				Org.					
				Supp.					
				Total					
				Org.					
				Supp.					
				Total					
				Org.					
				Supp.					

\*Insufficient Data

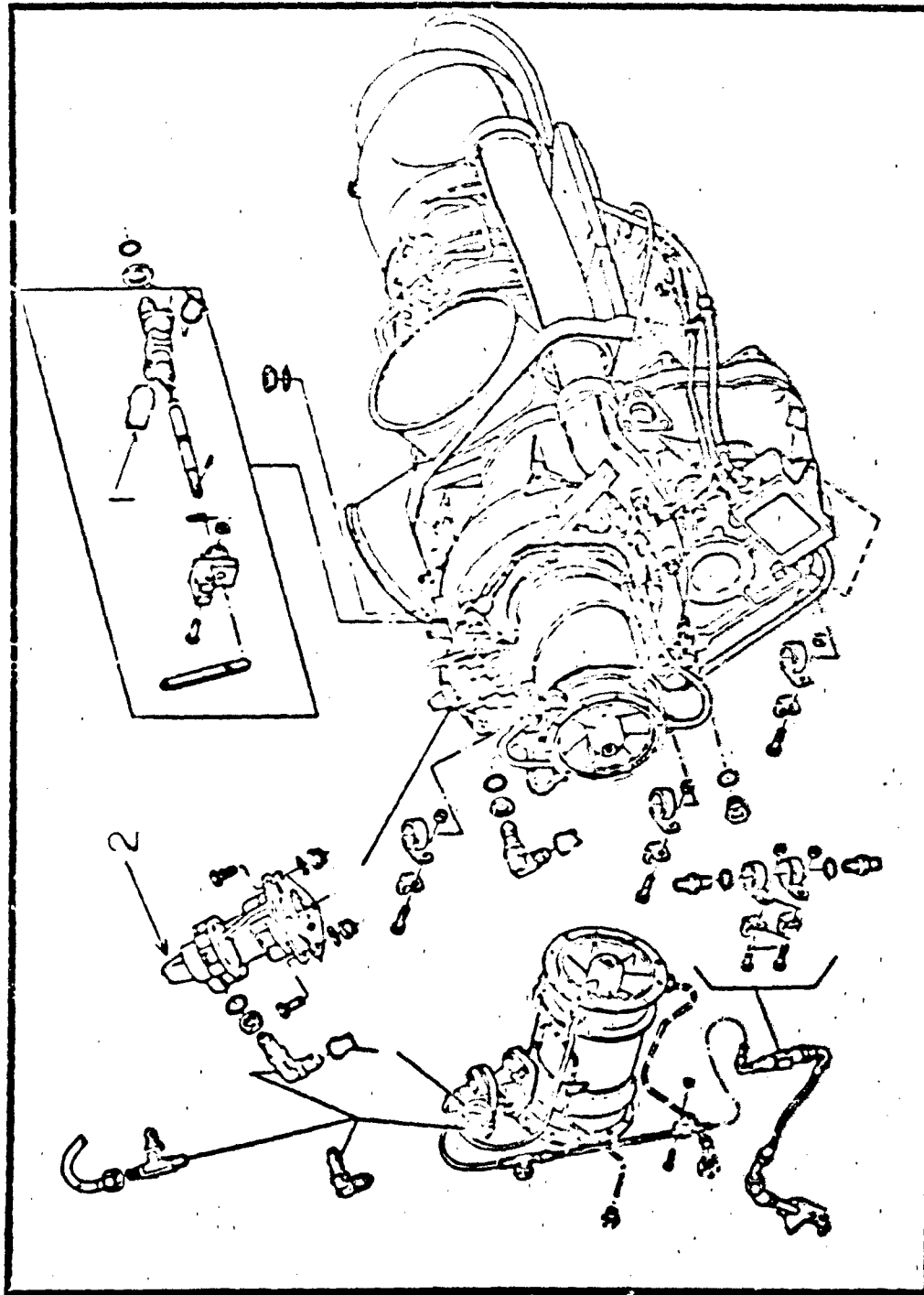


Figure 10 Anti-Icing and Air Bleed System

OH-53A FLAT RATE DATA  
 FUNCTIONAL GROUP 03  
 REFERENCE FIGURE 37

ITEM NO.	NOMENCLATURE	FSN/PN	ACTION CODE	MAINT. LEVEL	MEAN	MEDIAN	MODE	STD. DEV.	CABLE SIZE
1	Tube Assy	28409243535	Replace	Total	2.6	2.0	2.0	1.000	20
				Org.	2.0	2.0	2.0	1.000	21
				Supp.	3.3	2.0	3.0	1.330	15
2	Bleed Air Valve	29154539569	Remove and Install	Total	0.9	1.0	1.0	0.000	7
				Org.	0.7	1.0	1.0	0.000	7
				Supp.	*	*	*	*	*
2	Bleed Air Valve	29154539569	Replace	Total	3.0	3.0	1.0	0.000	10
				Org.	2.3	2.0	1.0	1.000	10
				Supp.	3.8	4.0	6.0	2.000	10
				Total					
				Org.					
				Supp.					
				Total					
				Org.					
				Supp.					

\*Insufficient Data

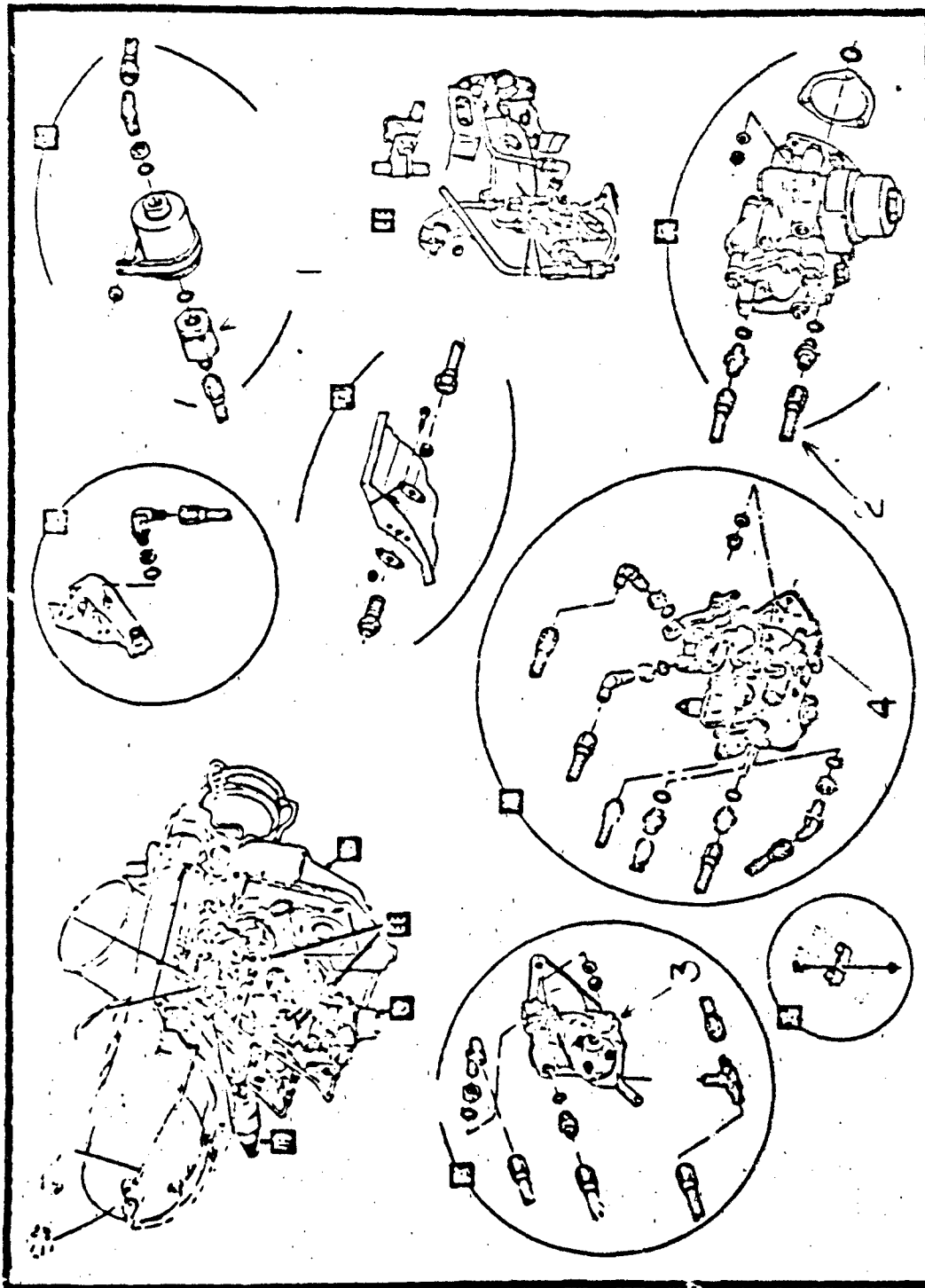


Figure 35 Fuel System, Engine



OH-53A FLAT RATE DATA  
 FUNCTIONAL GROUP 03  
 REFERENCE FIGURE 38

ITEM NO.	NOMENCLATURE	F3M/PN	ACTION CODE	MAINT. LEVEL	MEAN	MEDIAN	MODE	STD. DEV.	SAMPLE SIZE
1	Check Valve	291592L7789	Replace	Total	1.7	1.5	1.0	1.092	164
				Org.	1.6	1.0	1.0	0.902	128
				Supp.	2.3	2.0	1.0	1.181	36
2	Tube Assy	29159258881 29159259186	Remove and Install	Total	1.6	1.0	1.0	1.178	21
				Org.	1.3	1.0	1.0	0.894	17
				Supp.	*	*	*	*	*
			Replace	Total	1.8	1.0	4.0	1.462	21
				Org.	0.9	0.5	0.4	0.784	31
				Supp.	2.3	2.0	4.0	1.518	60
			Checked	Total	0.5	0.5	0.5	0.0	6
				Org.	*	*	*	*	*
				Supp.	0.5	0.5	0.5	0.0	6
3	Governor	29151306096	Replace	Total	5.0	4.0	4.0	2.830	243
				Org.	3.8	3.0	4.0	2.399	95
				Supp.	5.7	5.0	8.0	2.822	148
			Adjust	Total	2.0	1.5	1.0	1.541	115
				Org.	1.9	1.5	1.0	1.386	28
				Supp.	2.4	2.0	2.0	1.939	27
			Service	Total	1.5	1.0	1.0	0.758	13
				Org.	*	*	*	*	*
				Supp.	1.4	1.0	1.0	0.651	9
			Initial Inspection	Total	0.7	0.5	0.5	0.274	5
				Org.	*	*	*	*	*
				Supp.	0.7	0.5	0.5	0.271	5
Final Inspection	Total	2.4	2.0	2.0	1.327	24			
	Org.	2.4	2.0	2.0	1.524	10			
	Supp.	2.4	2.0	4.0	1.228	14			

Insufficient Data

OH-53A FLAT RATE DATA  
 FUNCTIONAL GROUP 03  
 REFERENCE FIGURE 38

ITEM NO.	NOMENCLATURE	F3H/PN	ACTION CODE	MAINT. LEVEL	MEAN	MEDIAN	MODE	STD. DEV.	SAMPLE SIZE
3	Governor(con't)		Remove and Install	Total	1.9	2.0	2.0	0.665	6
				Org.	*	*	*	*	*
				Supp.	1.9	1.5	2.0	0.854	4
4	Fuel Control		Replace	Total	6.7	6.0	4.0	3.999	191
				Org.	4.1	4.0	4.0	2.348	62
				Supp.	7.2	8.0	10.0	3.927	105
			Adjust	Total	2.2	1.0	1.0	2.084	23
				Org.	1.1	1.0	1.0	0.739	41
				Supp.	2.8	2.0	2.0	2.222	34
			Repair	Total	1.9	1.0	0.5	1.639	2
				Org.	1.7	0.5	0.5	1.729	2
				Supp.	*	*	*	*	*
			Service	Total	1.6	1.2	1.0	1.021	57
				Org.	1.4	1.2	1.0	0.560	37
				Supp.	2.0	2.0	2.0	1.514	19
Tested	Total	2.5	2.0	2.0	1.414	8			
	Org.	2.3	2.0	2.0	0.503	4			
	Supp.	2.8	1.0	1.0	2.062	1			
Checked	Total	1.3	1.0	1.0	0.671	5			
	Org.	1.1	1.0	1.0	0.630	4			
	Supp.	*	*	*	*	*			
Remove	Total	2.9	2.0	2.0	1.642	8			
	Org.	2.0	2.0	2.0	*	3			
	Supp.	3.4	1.0	1.0	1.240	2			

\*Insufficient Data

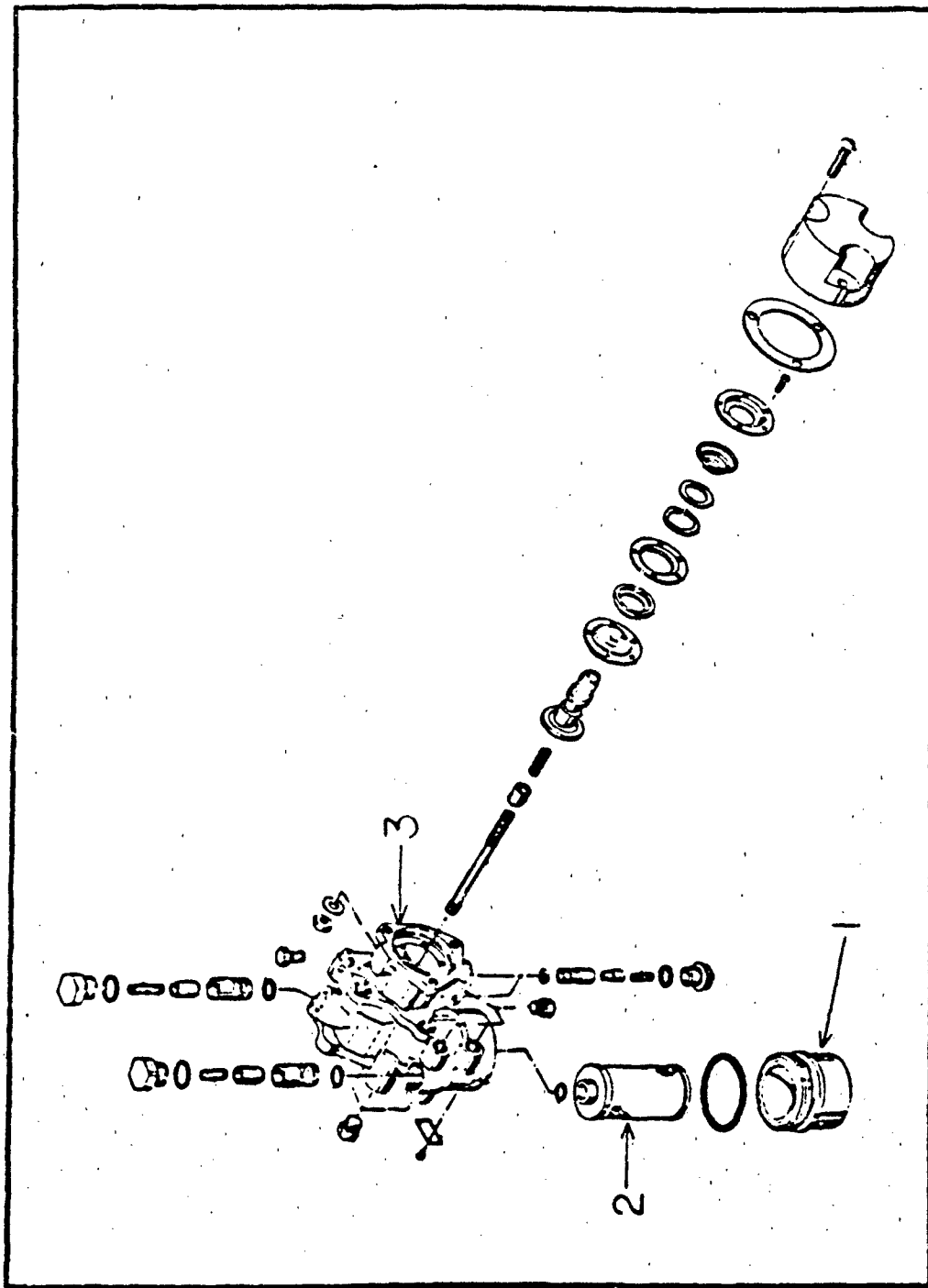


Figure 39 Pump Assembly, Fuel

OH-53A FLAT RATE DATA  
 FUNCTIONAL GROUP 03  
 REFERENCE FIGURE 39

ITEM NO.	NOMENCLATURE	FSN/PN	ACTION CODE	MAINT. LEVEL	MEAN	MEDIAN	MODE	STD. DEV.	SAMPLE SIZE
1	Fuel Filter Housing	29159234457	Replace	Total	1.4	1.0	1.0	1.243	32
				Org.	1.3	1.0	1.0	1.076	29
				Supp.	*	*	*	*	*
2	Fuel Filter Element Assy	29159247785	Replace	Total	1.2	1.0	1.0	0.782	959
				Org.	1.2	1.0	1.0	0.764	921
				Supp.	1.5	1.0	1.0	0.252	59
			Service	Total	1.0	1.0	1.0	0.471	12
				Org.	1.0	1.0	1.0	0.471	12
				Supp.	*	*	*	*	*
3	Fuel Pump Assy	29159247791	Remove and Install	Total	1.2	1.0	1.0	0.693	12
				Org.	1.2	1.0	1.0	0.693	12
				Supp.	*	*	*	*	*
			Replace	Total	4.8	4.0	8.0	2.395	23
				Org.	4.6	4.0	8.0	2.635	11
				Supp.	5.0	4.0	8.0	2.056	12
				Total					
				Org.					
				Supp.					
				Total					
				Org.					
				Supp.					
				Total					
				Org.					
				Supp.					
				Total					
				Org.					
				Supp.					

\*Insufficient Data

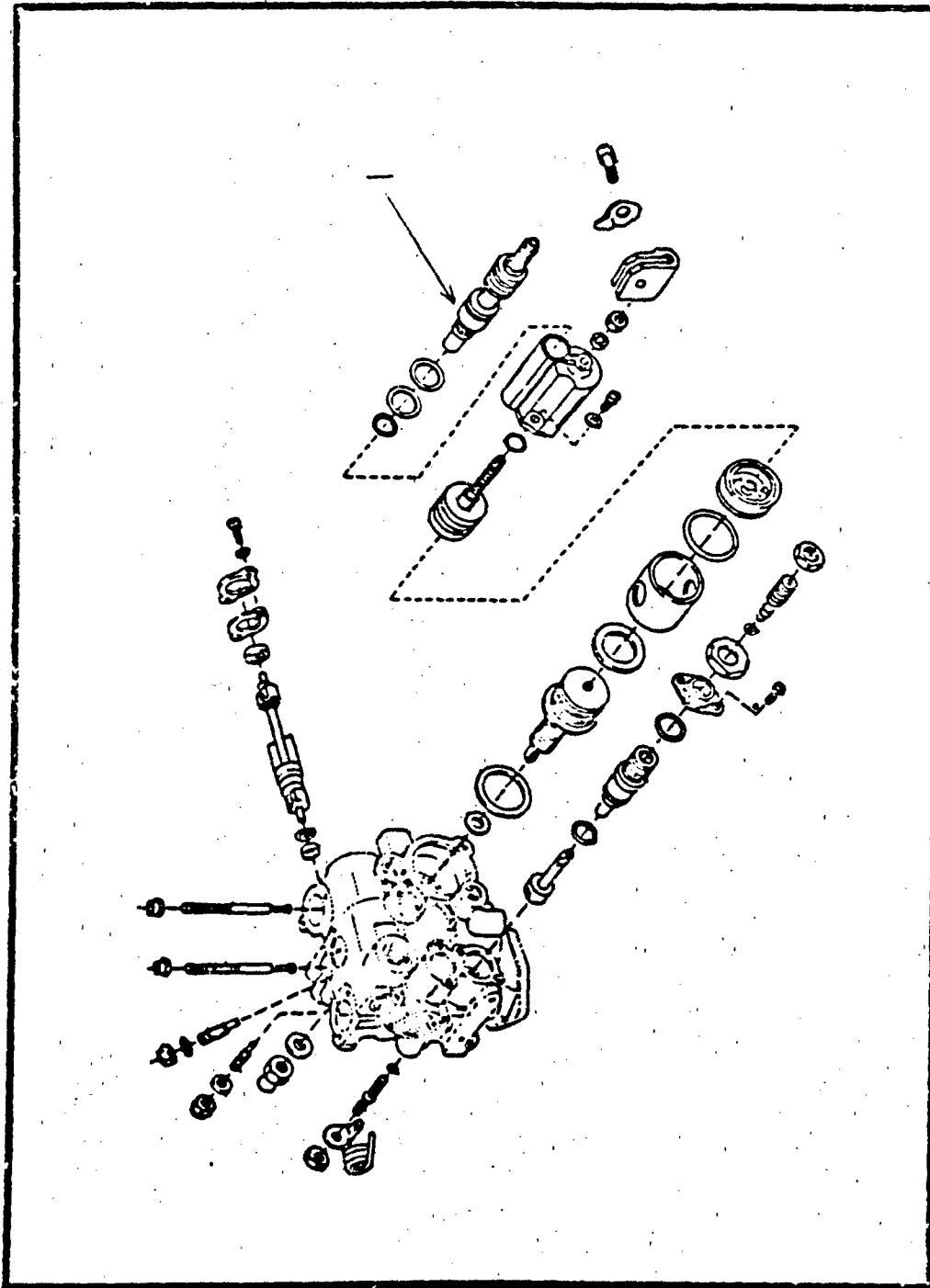


Figure 10 Flow Body Assembly and Related Parts

OH-53A FLAT RATE DATA  
 FUNCTIONAL GROUP 03  
 REFERENCE FIGURE 40

ITEM NO.	NOMENCLATURE	FSN/PN	ACTION CODE	MAINT. LEVEL	MEAN	MEDIAN	MODE	STD. DEV.	SAMPLE SIZE
1	Fuel Filter	29151789714	Replace	Total	1.4	1.0	1.0	1.184	27
				Org.	1.2	1.0	1.0	0.750	24
				Supp.	*	*	*	*	*
			Service	Total	1.4	1.0	1.0	0.559	12
				Org.	1.4	1.0	1.0	0.508	10
				Supp.	*	*	*	*	*
			Tested	Total	1.8	2.0	2.0	0.837	5
				Org.	1.8	1.0	1.0	0.959	4
				Supp.	*	*	*	*	*
			Remove and Install	Total	1.4	1.5	1.5	0.525	10
				Org.	1.3	1.0	1.0	0.546	8
				Supp.	*	*	*	*	*
				Total					
				Org.					
				Supp.					
				Total					
				U.S.					
				Supp.					
				Total					
				Org.					
				Supp.					
				Total					
				Org.					
				Supp.					
				Total					
				Org.					
				Supp.					

Insufficient Data

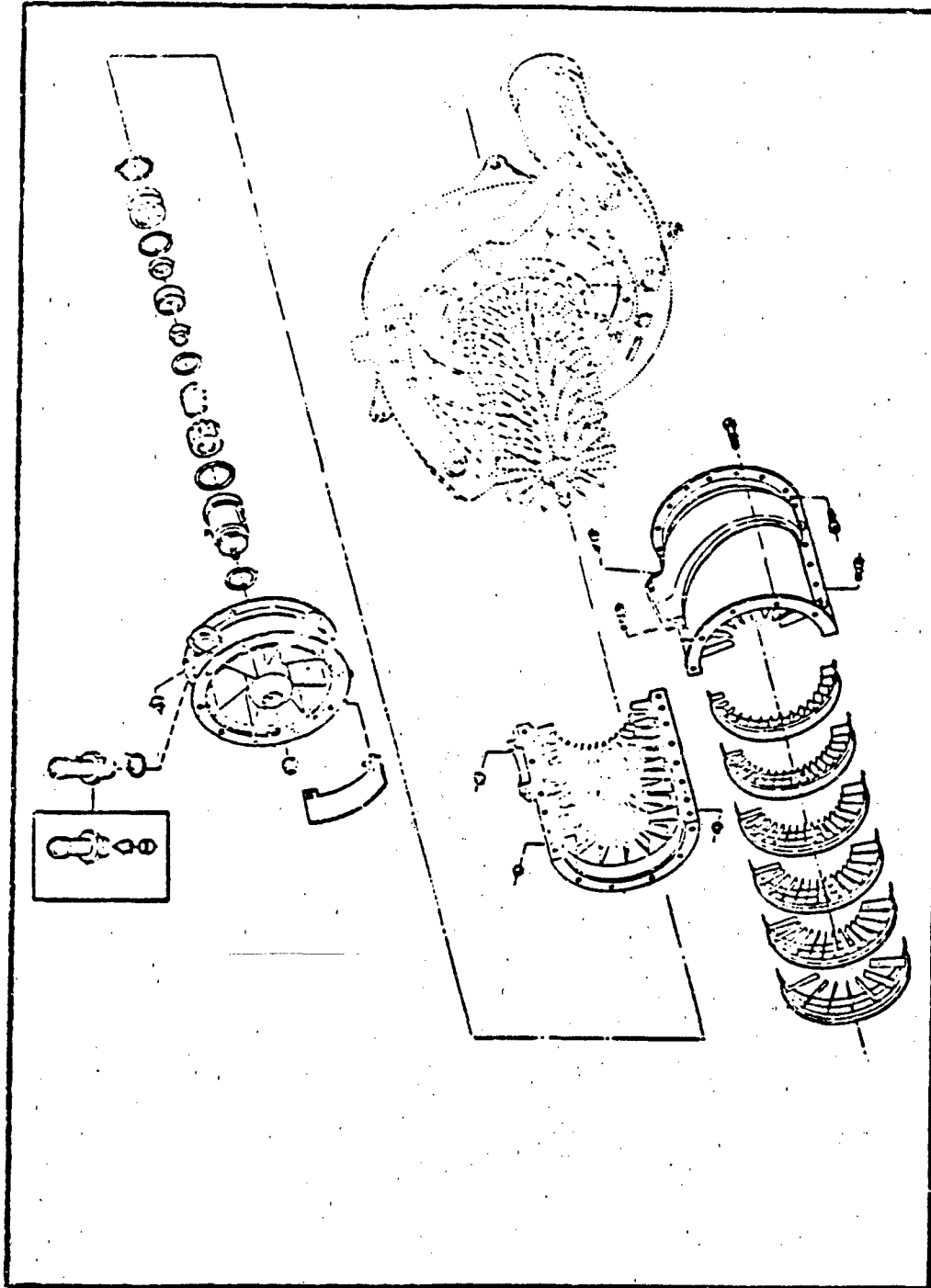


Figure 41 Compressor and Related Parts

OH-53A FLAT RATE DATA  
 FUNCTIONAL GROUP 03  
 REFERENCE FIGURE 41

ITEM NO.	NOMENCLATURE	FSN/PN	ACTION CODE	MAINT. LEVEL	MEAN	MEDIAN	MODE	STD. DEV.	SAMPLE SIZE
--	Compressor	28402424475 28402424476 28402424477	Replace	Total	16.8	16.0	20.0	10.288	146
				Org.	*	*	*	*	*
				Supp.	17.3	16.0	20.0	9.922	137
			Repair	Total	1.8	1.5	0.3	1.573	17
				Org.	1.4	1.0	0.3	1.212	12
				Supp.	*	*	*	*	*
			Service	Total	5.0	4.0	8.0	3.155	37
				Org.	4.2	3.5	8.0	2.510	29
				Supp.	*	*	*	*	*
			Initial Inspection	Total	1.3	1.0	1.0	0.975	5
				Org.	*	*	*	*	*
				Supp.	1.3	1.0	1.0	0.975	5
Checked	Total	1.4	1.0	1.0	1.030	6			
	Org.	*	*	*	*	*			
	Supp.	1.6	1.0	1.0	1.250	4			
				Total					
				Org.					
				Supp.					
				Total					
				Org.					
				Supp.					
				Total					
				Org.					
				Supp.					

\*Insufficient Data



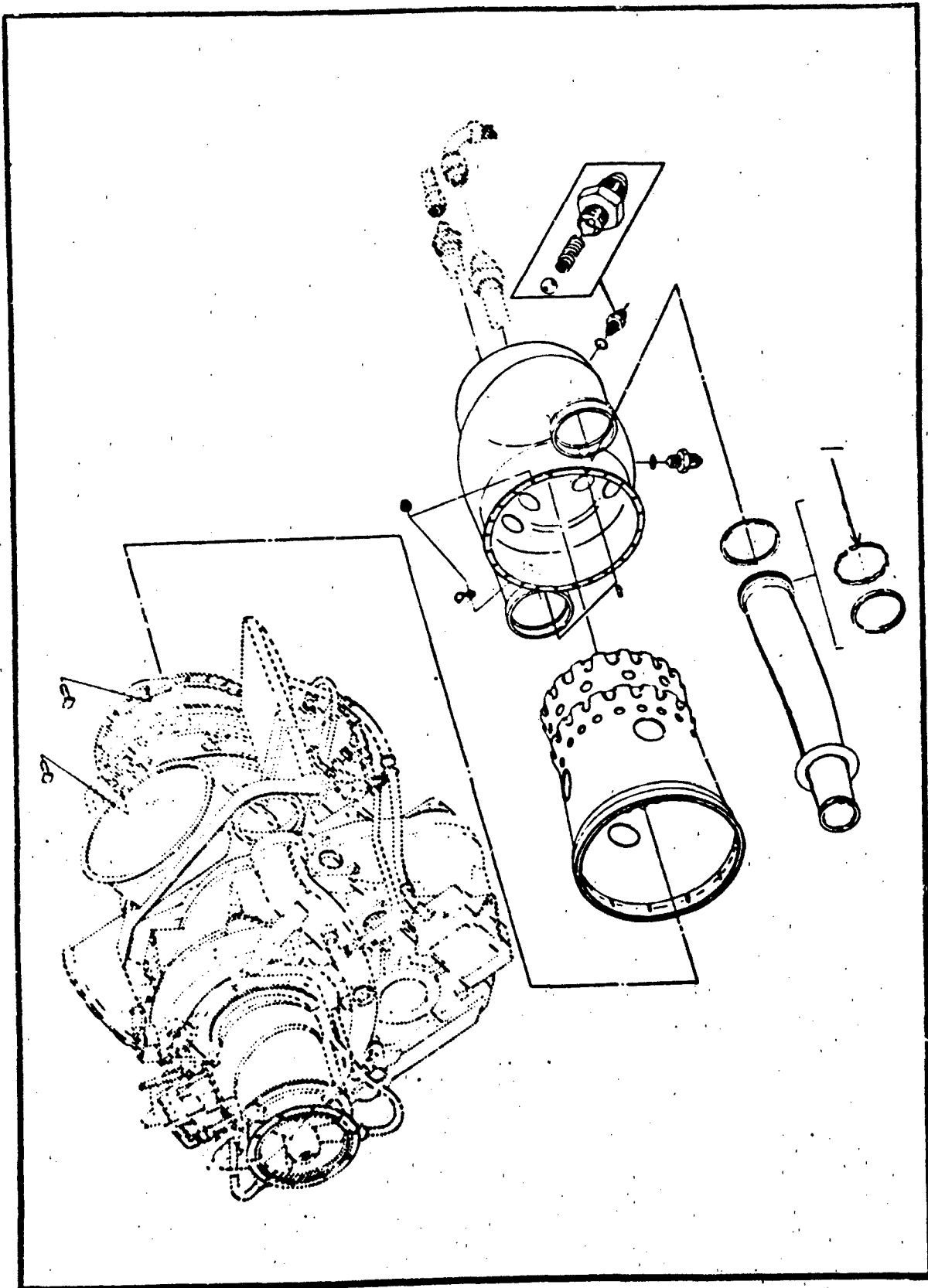


Figure 12 Combustion System

OH-53A FLAT RATE DATA  
 FUNCTIONAL GROUP 03  
 REFERENCE FIGURF 42

ITEM NO.	NOMENCLATURE	FSN/PN	ACTION CODE	MAINT. LEVEL	MEAN	MEDIAN	MODE	STL. DEV.	SAMPLE SIZE		
1	Split Ring	53301823333	Replace	Total	4.1 *	3.5 *	2.0 *	3.045 *	43		
				Org.							
				Supp.	4.2	4.0	2.0	3.150	61		
				Total							
				Org.							
				Supp.							
				Total							
				Org.							
				Supp.							
				Total							
				Org.							
				Supp.							

\*Insufficient Data

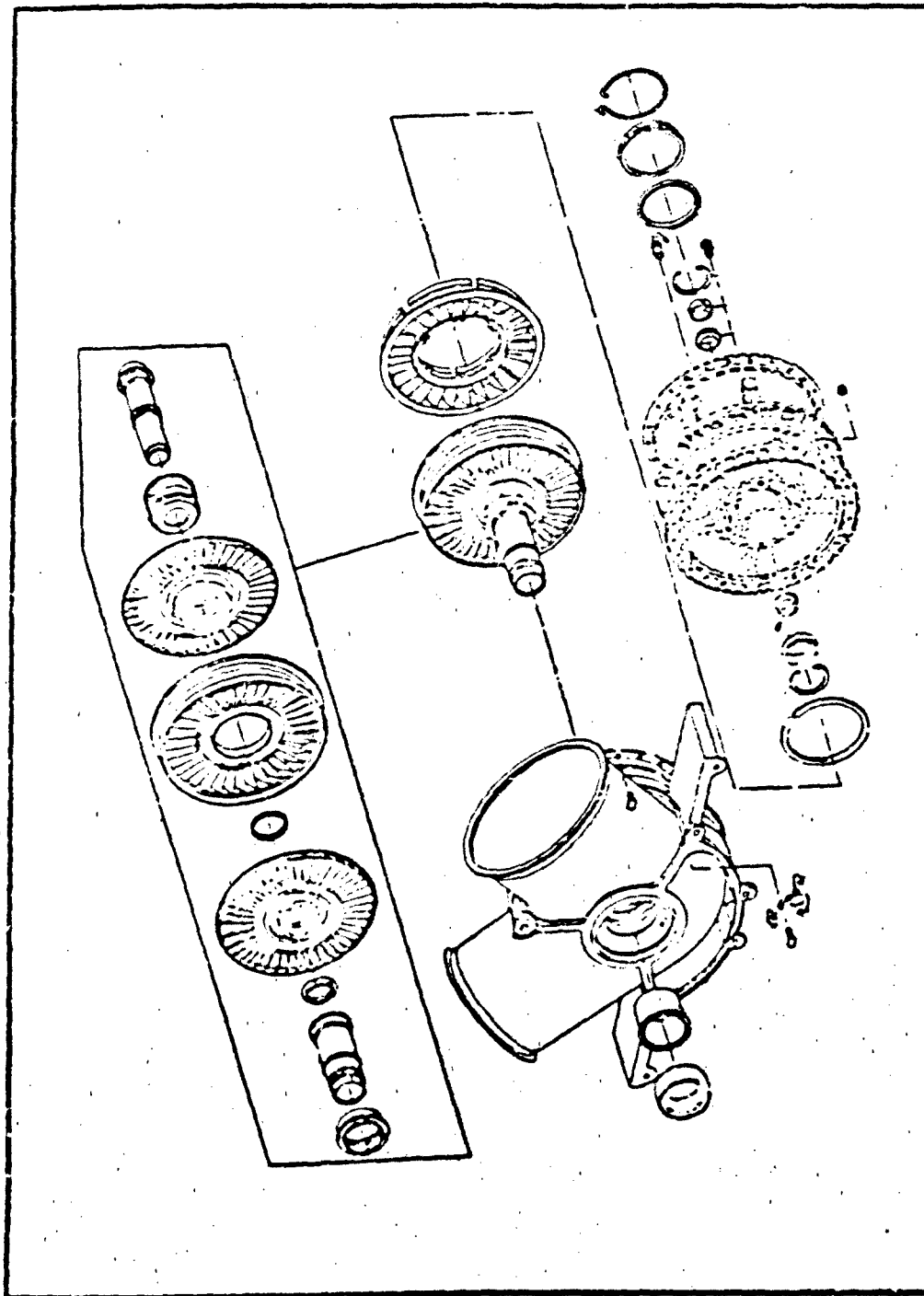


Figure 4-3 Turbine Assembly, Gas (Power Turbine Rotor and Related Parts)

OH-53A FLAT RATE DATA  
 FUNCTIONAL GROUP 03  
 REFERENCE FIGURE 43

ITEM NO.	NOMENCLATURE	FSN/PN	ACTION CODE	MAINT. LEVEL	MEAN	MEDIAN	MODE	STD. DEV.	SAMPLE SIZE		
--	Turbine	2PL0131608	Repair	Total	3.4	3.0	2.5	1.286	46		
				Org.	*	*	*	*	*		
				Supp.	3.5	3.5	2.0	1.286	15		
			Initial Inspection	Total	0.7	1.0	1.0	2.367	7		
				Org.	*	*	*	*	*		
				Supp.	0.7	1.0	1.0	0.267	7		
			Final Inspection	Total	0.8	0.5	0.5	2.339	15		
				Org.	*	*	*	*	*		
				Supp.	0.8	0.5	0.5	0.339	15		
				Total							
				Org.							
				Supp.							
	Total										
	Org.										
	Supp.										
	Total										
	Org.										
	Supp.										

Insufficient Data

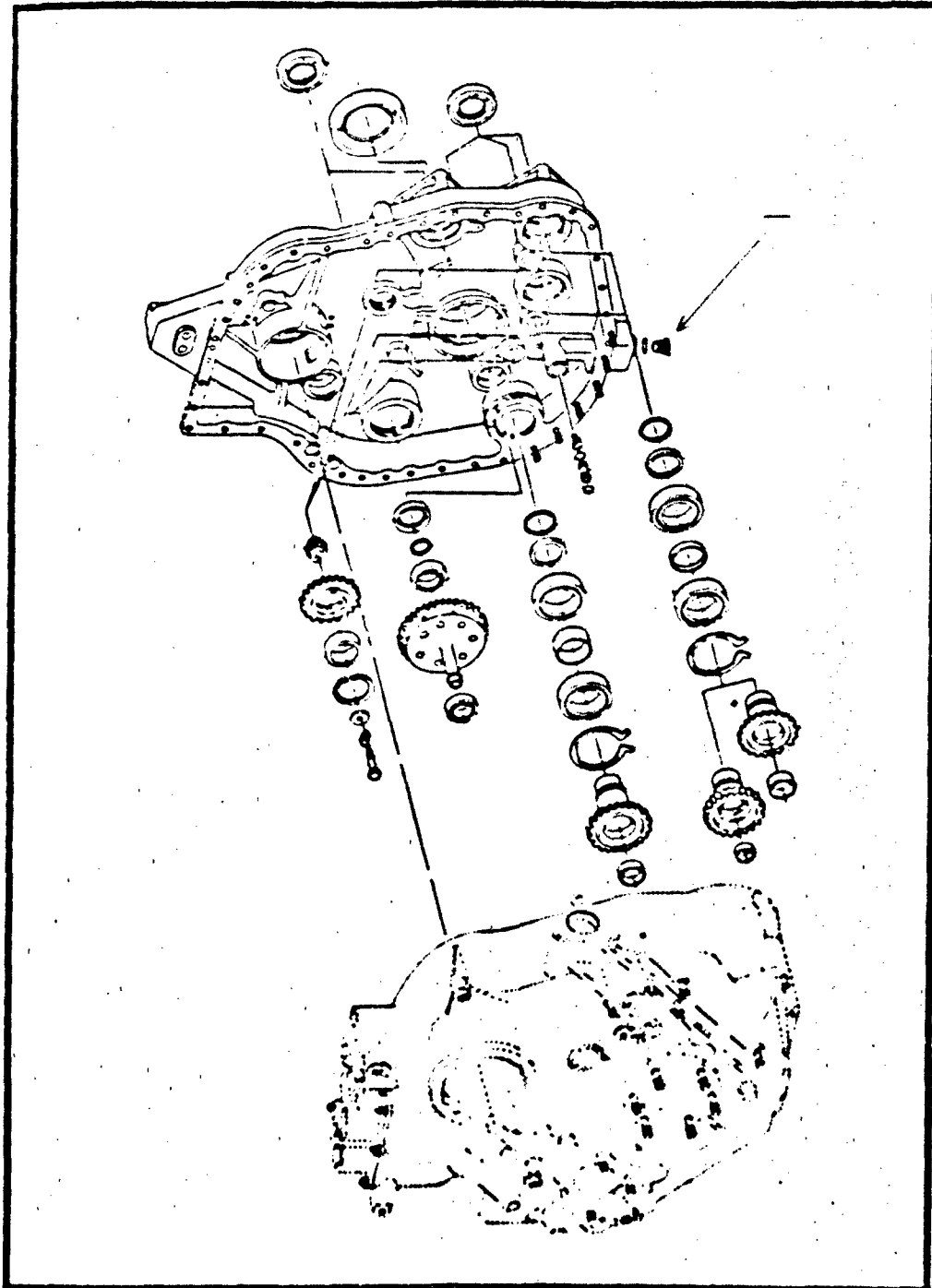


Figure -- Gearbox, Cover, And Related Parts

OH-53A FLAT RATE DATA  
 FUNCTIONAL GROUP 03  
 REFERENCE FIGURE 44

ITEM NO.	NOMENCLATURE	FSN/PN	ACTION CODE	MAINT. LEVEL	MEAN	MEDIAN	MODE	STD. DEV.	SAMPLE SIZE			
1	Engine Chip Detector	28409246151	Replace	Total	1.4	1.0	1.0	0.825	40			
				Org.	1.4	1.0	1.0	0.796	39			
				Supp.								
			Repair	Total	0.9	0.5	1.0	0.409	8			
				Org.	0.9	0.3	0.5	0.332	7			
				Supp.	1.3	1.0	1.0	0.332	7			
			Remove and Install	Total	1.1	1.0	0.5	0.933	35			
				Org.	1.1	0.8	0.5	0.959	33			
				Supp.								
							Total					
							Org.					
							Supp.					
				Total								
				Org.								
				Supp.								
				Total								
				Org.								
				Supp.								
				Total								
				Org.								
				Supp.								
				Total								
				Org.								
				Supp.								

\*Insufficient Data

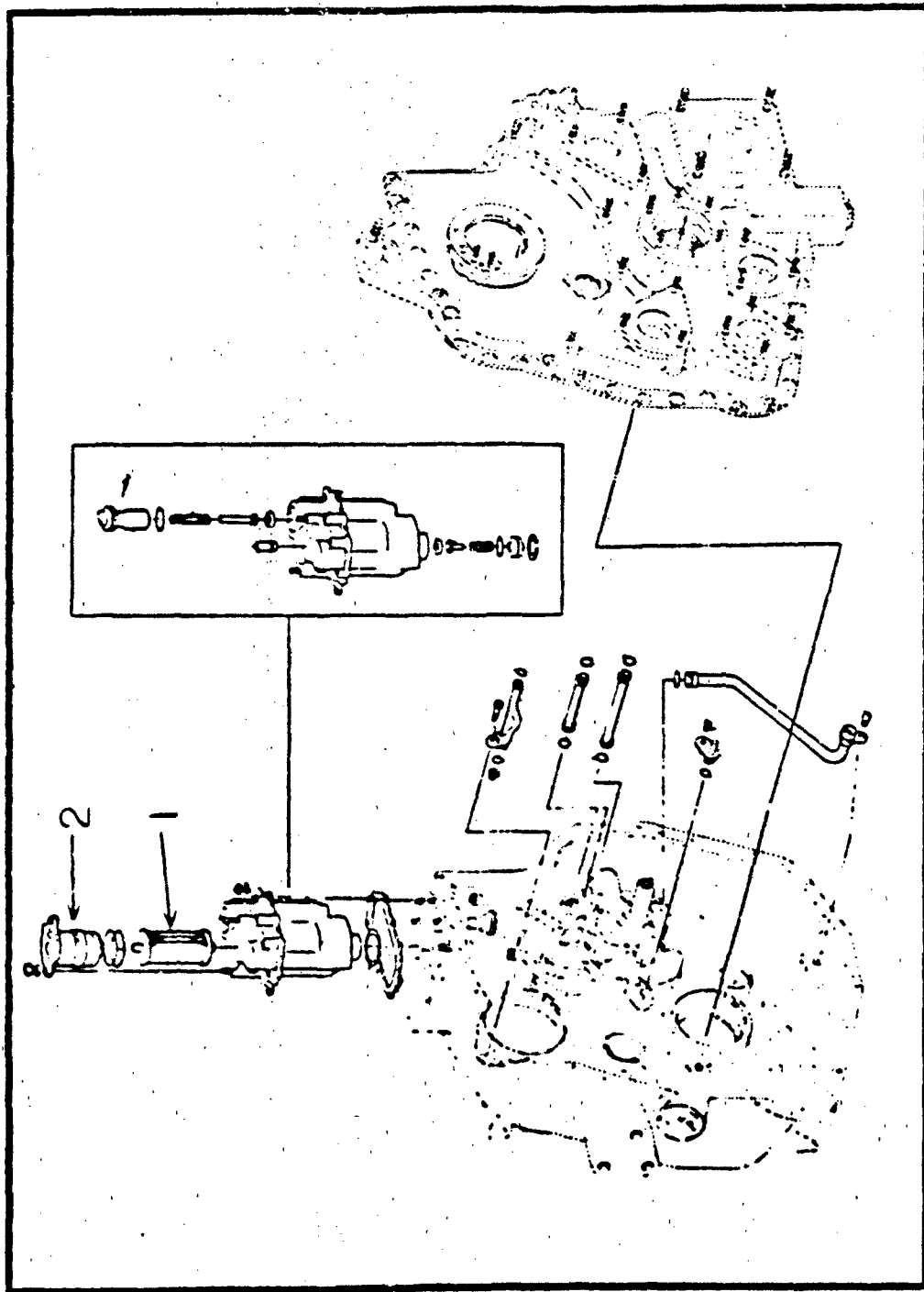


Figure 45 Gearbox Internal Oil System

OH-53A FLAT RATE DATA  
 FUNCTIONAL GROUP 03  
 REFERENCE FIGURE 45

ITEM NO.	NOMENCLATURE	FSN/FN	ACTION CODE	MAINT. LEVEL	MEAN	MEDIAN	MODE	STD. DEV.	SAMPLE SIZE
1	Filter Element	29450230439	Replace	Total	1.0	1.0	1.0	0.591	289
				Org.	1.0	1.0	1.0	0.546	265
				Supp.	1.1	1.0	1.0	0.657	24
2	Oil Filter Cap	28409281985	Remove and Install	Total	1.3	1.0	1.0	0.778	33
				Org.	1.3	1.0	1.0	0.800	31
				Supp.	*	*	*	*	*
			Replace	Total	1.0	1.0	1.0	0.597	18
				Org.	1.0	1.0	1.0	0.615	17
				Supp.	*	*	*	*	*
				Total					
				Org.					
				Supp.					
				Total					
				Org.					
				Supp.					
				Total					
				Org.					
				Supp.					
				Total					
				Org.					
				Supp.					

\*Insufficient Data



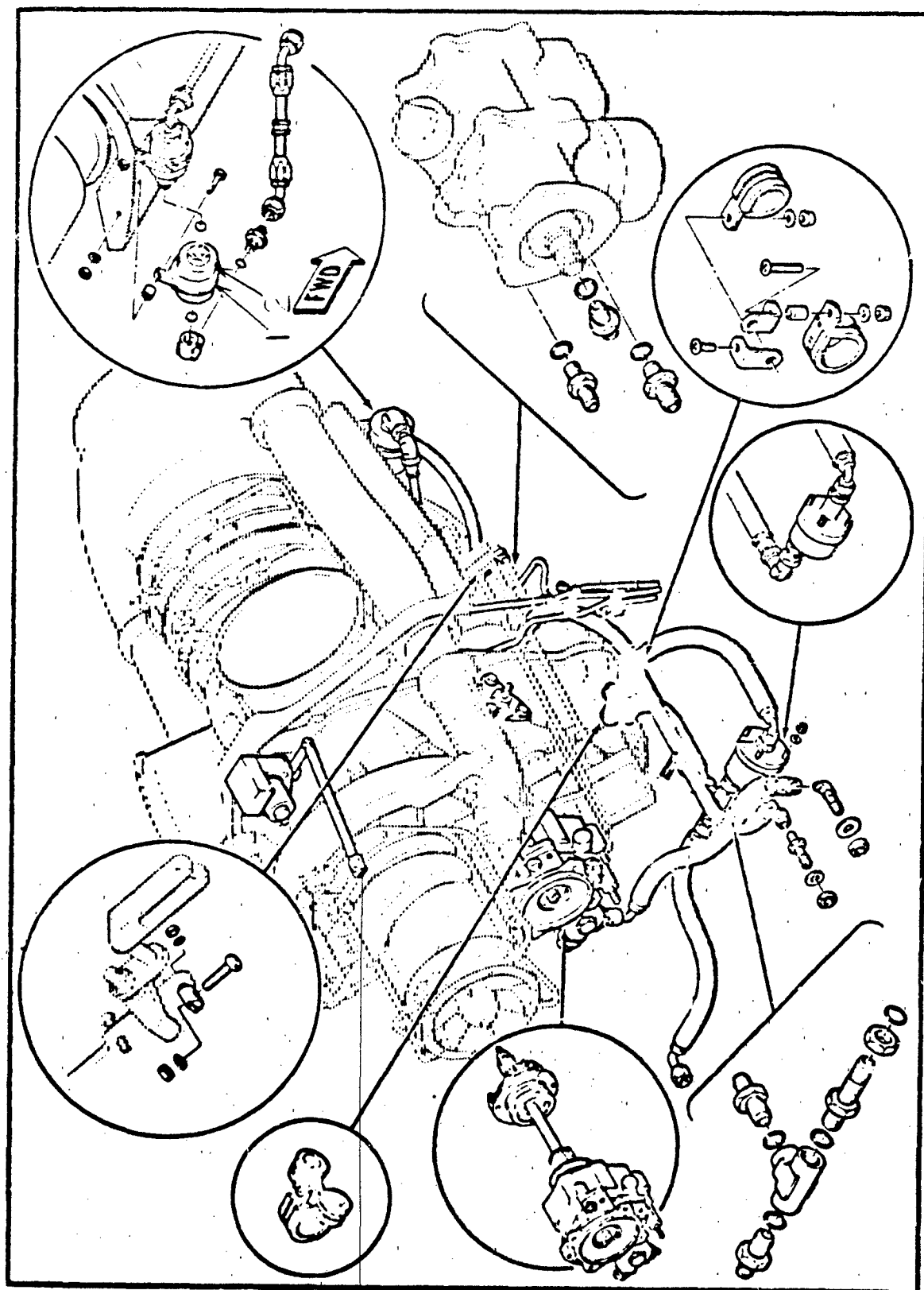


Figure 46 Engine Assembly

OH-58A FLAT RATE DATA  
 FUNCTIONAL GROUP 03  
 REFERENCE FIGURE 46

ITEM NO.	NOMENCLATURE	FSN/PN	ACTION CODE	MAINT. LEVEL	MEAN	MEDIAN	MODE	STD. DEV.	SAMPLE SIZE	
1	Clamp	53402532629	Remove and Install	Total	1.1	1.0	1.0	0.657	8	
				Org.	1.1	1.0	1.0	0.657	8	
				Supp.	*	*	*	*	*	
2	Accumulator	29953499255	Replace	Total	1.9	2.0	2.0	0.967	85	
				Org.	2.0	2.0	2.0	1.013	59	
				Supp.	1.8	1.5	2.0	0.251	26	
				Total	2.1	2.0	2.0	1.028	26	
				Org.	1.8	2.0	2.0	0.872	21	
				Supp.	*	*	*	*	*	
				Total						
				Org.						
				Supp.						
				Total						
				Org.						
				Supp.						

\*Insufficient Data

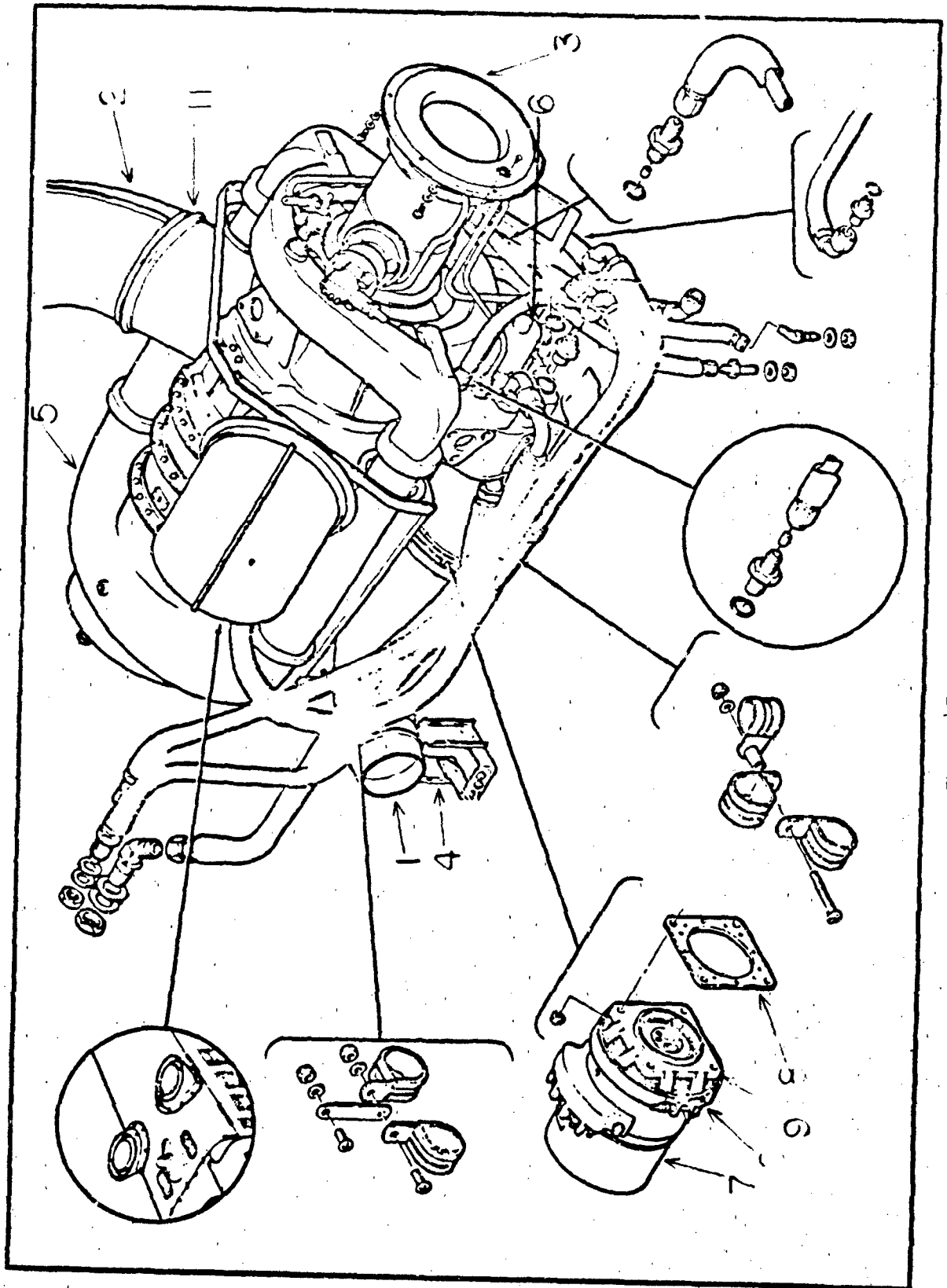


Figure 47 Engine Assembly

OH-53A FLAT RATE DATA

FUNCTIONAL GROUP 03

REFERENCE FIGURE 47

ITEM NO.	NOMENCLATURE	FSN/PN	ACTION CODE	MAINT. LEVEL	MEAN	MEDIAN	MODE	STD. DEV.	SAMPLE SIZE	
1	Duct Assy	15602518753	Replace	Total	1.2	1.0	1.0	0.819	78	
				Org.	1.2	1.0	1.0	0.830	74	
				Supp.	*	*	*	*	*	*
2	Exhaust Cone	28402229249	Repair	Total	0.6	0.5	0.5	0.319	6	
				Org.	0.5	0.5	0.5	0.292	5	
				Supp.	*	*	*	*	*	*
			Remove and Install	Total	1.0	0.8	0.5	0.5	0.653	9
				Org.	0.7	0.5	0.5	0.5	0.415	6
				Supp.	*	*	*	*	*	*
			Replace	Total	2.2	1.5	1.5	1.5	1.782	34
				Org.	1.8	1.5	1.5	2.0	1.406	29
				Supp.	*	*	*	*	*	*
			Adjust	Total	1.2	1.0	1.0	1.0	0.988	72
				Org.	1.1	1.0	1.0	1.0	0.863	57
				Supp.	1.8	1.5	1.5	2.0	1.252	15
Repair	Total	1.3	1.0	1.0	1.0	0.831	41			
	Org.	1.4	1.0	1.0	1.0	0.925	30			
	Supp.	1.2	1.0	1.0	1.0	0.868	11			
Service	Total	1.2	1.0	1.0	1.0	0.779	57			
	Org.	1.2	1.0	1.0	1.0	0.765	45			
	Supp.	1.2	1.0	1.0	1.0	0.865	12			
Final Inspection	Total	1.7	1.0	1.0	1.0	1.088	7			
	Org.	1.7	1.0	1.0	1.0	1.088	7			
	Supp.	*	*	*	*	*	*			
Remove and Install	Total	1.6	1.0	1.0	1.0	1.060	462			
	Org.	1.4	1.0	1.0	1.0	0.981	288			
	Supp.	1.9	2.0	2.0	2.0	1.095	174			

\*Insufficient Data

OH-53A FLAT RATE DATA  
FUNCTIONAL GROUP 03  
REFERENCE FIGURE 47

ITEM NO.	NOMENCLATURE	FSN/PN	ACTION CODE	MAINT. LEVEL	MEAN	MEDIAN	MODE	STD. DEV.	SAMPLE SIZE
	Exhaust Cone (con't)		Remove	Total	0.6	0.5	0.5	0.306	27
				Org.	0.7	0.5	0.5	0.304	13
				Supp.	0.6	0.4	0.4	0.316	14
			Install	Total	1.3	1.0	1.0	0.759	20
				Org.	1.3	1.0	1.0	0.686	14
				Supp.	*	*	*	*	*
3	Air Duct Segment	28401507982	Replace	Total	1.9	2.0	2.0	1.286	9
				Org.	1.5	2.0	2.0	0.866	3
				Supp.	2.2	2.0	2.0	1.472	6
4	Support Assy	15602531734	Replace	Total	1.5	1.0	1.0	1.055	16
				Org.	1.5	1.0	1.0	1.055	16
				Supp.	*	*	*	*	*
5	Engine Assy	28401795536 28408097484 28409236023	Replace	Total	36.2	35.0	40.0	18.972	817
				Org.	15.0	14.0	20.0	10.975	67
				Supp.	37.8	37.0	40.0	18.294	738
			Service	Total	2.2	1.0	1.0	2.539	2149
				Org.	2.0	1.0	1.0	2.491	1907
				Supp.	3.3	2.6	1.0	2.622	242
			Initial Inspection	Total	1.2	1.0	0.5	1.110	221
				Org.	1.9	0.5	0.5	1.727	20
				Supp.	1.1	1.0	1.0	1.008	201
Final Inspection	Total	1.2	1.0	1.0	0.894	219			
	Org.	*	*	*	*	*			
	Supp.	1.2	1.0	1.0	0.897	213			
Tested	Total	1.9	1.5	1.0	1.203	31			
	Org.	1.2	1.0	1.0	0.970	39			
	Supp.	2.3	2.0	2.0	1.137	52			

\*Insufficient Data

OH-53A FLAT RATE DATA

FUNCTIONAL GROUP 03

REFERENCE FIGURE 47

ITEM NO.	NOMENCLATURE	FSN/PN	ACTION CODE	MAINT. LEVEL	MEAN	MEDIAN	MODE	STD. DEV.	SAMPLE SIZE
	Engine Assy (con't)		Remove and Install	Total	6.5	4.0	1.0	6.017	188
				Org.	1.3	1.0	1.0	0.904	40
				Supp.	7.8	8.0	8.0	5.998	145
			Checked	Total	0.7	0.5	0.3	0.505	9
				Org.	0.6	0.4	0.3	0.418	67
				Supp.	3.1	2.0	1.0	2.252	22
Remove	Total	12.2	10.0	25.0	8.328	65			
	Org.	*	*	*	*	*			
	Supp.	13.2	15.0	25.0	8.133	53			
Install	Total	8.5	6.0	6.0	6.359	28			
	Org.	*	*	*	*	*			
	Supp.	8.9	6.0	6.0	5.904	24			
6	Tachometer Generator	66201792175	Replace	Total	1.7	1.5	1.0	0.947	338
				Org.	1.7	1.5	1.0	0.912	309
				Supp.	*	*	*	*	*
			Repair	Total	1.6	1.5	2.0	0.996	12
				Org.	1.4	2.0	2.0	0.773	7
				Supp.	*	*	*	*	*
Remove and Install	Total	1.5	1.0	1.0	1.101	17			
	Org.	1.6	1.0	1.0	1.129	15			
	Supp.	*	*	*	*	*			
Remove	Total	1.0	0.6	0.5	0.675	5			
	Org.	1.0	0.6	0.5	0.675	5			
	Supp.	*	*	*	*	*			
7	Starter Generator	29250813547	Replace	Total	2.7	2.0	2.0	1.875	651
				Org.	2.5	2.0	2.0	1.683	604
				Supp.	4.5	4.0	4.0	2.981	47

\*Insufficient Data

OH-53A FLAT RATE DATA  
 FUNCTIONAL GROUP 03  
 REFERENCE FIGURE 47

ITEM NO.	NOMENCLATURE	FSN/PN	ACTION CODE	MAINT. LEVEL	MEAN	MEDIAN	MODE	STD. DEV.	SAMPLE SIZE		
	Starter Generator (con't)		Adjust	Total	1.2	1.0	1.0	0.613	9		
Org.				1.1	1.0	1.0	0.692	7			
Supp.				*	*	*	*	*			
			Repair			Total	2.5	2.0	1.0	2.450	37
Org.						1.2	1.0	0.5	0.907	15	
Supp.						2.9	2.0	2.0	2.521	19	
			Service			Total	2.0	1.5	1.0	1.534	36
Org.						1.8	1.5	2.0	1.581	26	
Supp.						2.3	2.0	1.0	1.418	10	
			Initial Inspection			Total	0.7	0.5	1.0	0.385	19
Org.						*	*	*	*	*	
Supp.						0.7	0.5	1.0	0.400	16	
			Final Inspection			Total	0.7	0.5	0.5	0.601	21
Org.						*	*	*	*	*	
Supp.						0.7	0.5	0.5	0.606	20	
			Tested			Total	2.0	2.0	2.0	1.458	11
Org.						*	*	*	*	*	
Supp.						1.4	1.0	0.5	0.905	8	
			Remove and Install			Total	2.3	2.0	2.0	1.421	242
Org.						2.2	2.0	2.0	1.356	178	
Supp.	2.5	2.0				2.0	1.519	64			
	Checked			Total	1.5	1.0	1.0	1.223	14		
Org.				*	*	*	*	*			
Supp.				1.0	1.0	1.0	0.500	7			
	Remove			Total	1.3	1.1	1.0	0.468	35		
Org.				1.3	1.5	1.0	0.472	31			
Supp.				*	*	*	*	*			

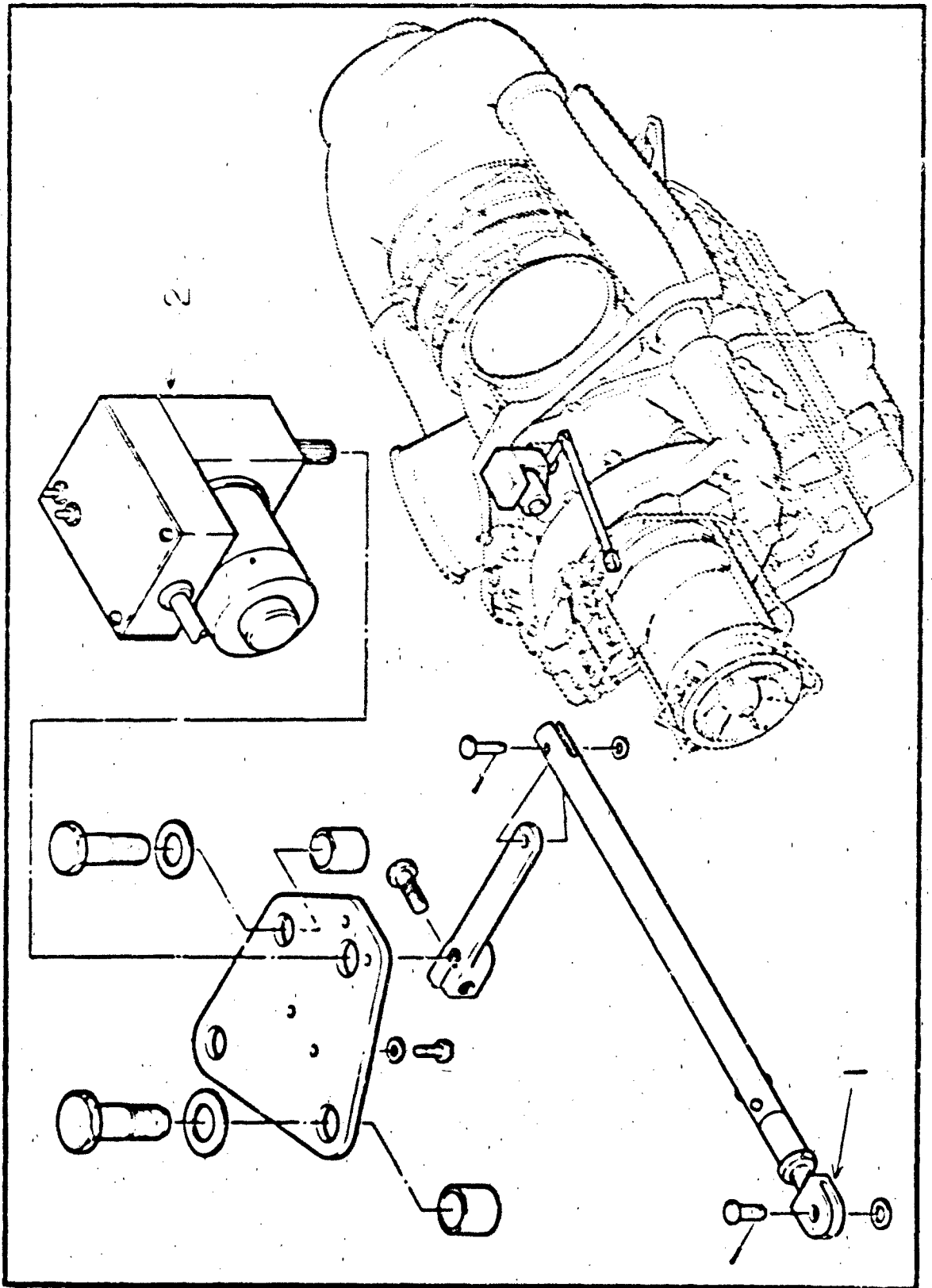
\*Insufficient Data

OH-53A FLAT RATE DATA  
FUNCTIONAL GROUP 03  
REFERENCE FIGURE 47

ITEM NO.	NOMENCLATURE	FSN/PN	ACTION CODE	MAINT. LEVEL	MEAN	MEDIAN	MODE	STD. L.V.	SAMPLE SIZE
	Starter Generator (con't.)		Install	Total Org. Supp.	1.8 1.9 1.1	1.5 1.5 1.0	1.0 1.0 1.0	1.016 0.957 0.558	24 16 7
8	Gasket	53302375653	Replace	Total Org. Supp.	2.0 2.0 1.8	2.0 2.0 1.2	1.0 1.0 1.0	1.260 1.253 1.143	67 44 22
9	End Bell	61150571815	Replace	Total Org. Supp.	1.8 1.8 *	1.0 1.0 *	1.0 1.0 *	1.193 1.406 *	8 6 *
10	Clamp	53400578308	Replace	Total Org. Supp.	2.3 2.3 *	2.0 1.5 *	1.0 1.0 *	1.405 1.524 *	17 13 *
11	Exhaust Clamp	53401369872 53401788000	Replace Adjust	Total Org. Supp.	1.4 1.3 *	1.0 1.0 *	1.0 1.0 *	0.687 0.666 *	69 63 *
			Repair	Total Org. Supp.	1.1 0.9 *	1.0 1.0 *	1.0 1.0 *	0.535 0.418 *	7 5 *
			Remove and Install	Total Org. Supp.	1.5 1.4 *	1.5 1.0 *	2.0 1.0 *	0.500 0.480 *	5 4 *
				Total Org. Supp.	1.6 1.1 2.0	1.0 0.5 2.0	2.0 0.5 2.0	1.079 0.744 1.178	18 8 10

\*Insufficient Data





OH-58A FLAT RATE DATA  
 FUNCTIONAL GROUP 03  
 REFERENCE FIGURE 48

ITEM NO.	NOMENCLATURE	FSN/PN	ACTION CODE	MAINT. LEVEL	MEAN	MEDIAN	MODE	STD. DEV.	SAMPLE SIZE
1	Rod End Clevis	53401317324	Replace	Total	0.8	1.0	1.0	0.259	8
				Org.	0.8	1.0	1.0	0.274	5
				Supp.	0.8	1.0	1.0	0.292	3
2	Rotary Actuator	16801791232	Replace	Total	2.8	3.0	2.0	1.396	72
				Org.	2.7	2.5	2.0	1.365	67
				Supp.	*	*	*	*	*
			Remove and Install	Total	1.1	1.0	1.0	0.567	7
				Org.	1.1	1.0	1.0	0.567	7
				Supp.	*	*	*	*	*
				Total					
				Org.					
				Supp.					
				Total					
				Org.					
				Supp.					
				Total					
				Org.					
				Supp.					
				Total					
				Org.					
				Supp.					
				Total					
				Org.					
				Supp.					

\*Insufficient Data

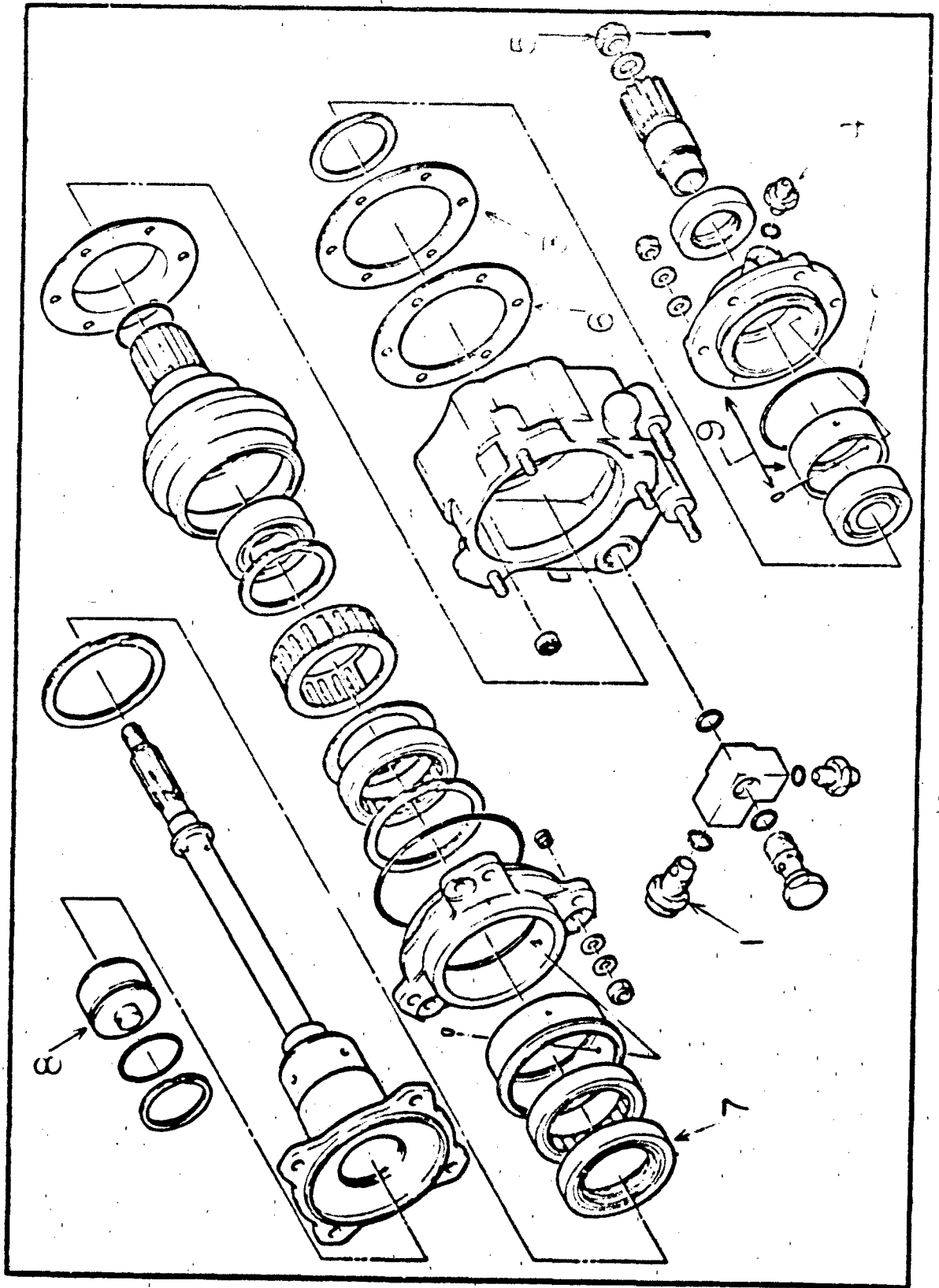


Figure 49 Frictionless Assembly and Installation

OH-58A FLAT RATE DATA  
 FUNCTIONAL GROUP 03  
 REFERENCE FIGURE 49

ITEM NO.	NOMENCLATURE	FSN/PN	ACTION CODE	MAINT. LEVEL	MEAN	MEDIAN	MODE	STD. DEV.	SAMPLE SIZE	
1	Drain Plug	53401359768	Replace	Total	1.3	1.0	1.0	0.945	63	
				Org.	1.3	1.0	1.0	0.972	54	
				Supp.	1.6	1.5	2.0	0.770	9	
2	Packing	53306181657 53307264153 53307524153 53307528270 53308039886 53308077931	Replace	Total	1.7	1.0	1.0	1.709	1191	
				Org.	1.1	0.5	0.5	1.140	226	
				Supp.	1.9	1.0	1.0	1.745	961	
				Org.						
				Supp.						
3	Shim	16151225124	Replace	Total	2.3	2.0	2.0	2.236	63	
				Org.	1.3	1.0	1.0	1.260	15	
				Supp.	2.6	2.0	2.0	2.387	48	
4	Tube Reducer	47308125036	Replace	Total	1.9	1.0	1.0	1.335	10	
				Org.	*	*	*	*	*	
				Supp.	2.2	2.0	1.0	1.468	7	
5	Nut	53101671288 53102092816	Replace	Total	0.9	1.0	0.5	0.489	21	
				Org.	*	*	*	*	*	
				Supp.	2.0	2.0	2.0	0.0	2	
6	Gasket	53301317278	Replace	Total	1.4	1.0	0.5	1.045	132	
				Org.	1.1	0.6	0.5	0.746	22	
				Supp.	1.5	1.0	1.0	1.087	110	
7	Seal	53301361500 53301794032	Replace	Total	3.7	3.0	2.0	2.624	602	
				Org.	4.2	4.0	4.0	2.838	95	
				Supp.	3.7	3.0	2.0	2.577	507	
8	Plug Assy	16152310444	Replace	Total	1.1	1.0	1.0	0.614	12	
				Org.	1.1	1.0	2.0	0.644	9	
				Supp.	*	*	*	*	*	

\*Insufficient Data

OH-53A FLAT RATE DATA  
FUNCTIONAL GROUP 03  
REFERENCE FIGURE 49

ITEM NO.	NOMENCLATURE	FSN/PN	ACTION CODE	MAINT. LEVEL	MEAN	MEDIAN	MODE	STD. DEV.	SAMPLE SIZE
9	Bearing Housing Assy	16151216428	Replace	Total	4.3	3.0	3.0	2.665	26
				Org.	*	*	*	*	*
			Remove and Install	Total	4.0	3.0	3.0	2.188	22
				Org.	3.7	4.0	6.0	1.664	11
			Replace	Total	3.7	*	*	*	*
				Org.	3.7	4.0	6.0	1.664	11
			Repair	Total	3.7	4.0	6.0	1.664	11
				Org.	3.7	4.0	6.0	1.664	11
--	Freeheeling Assy	16151514240	Replace	Total	10.1	8.0	8.0	6.498	277
				Org.	4.6	3.5	6.0	3.361	29
			Repair	Total	10.7	9.5	8.0	6.459	244
				Org.	5.8	4.5	10.0	4.072	27
			Service	Total	6.1	4.0	10.0	4.181	24
				Org.	1.8	1.0	2.0	1.816	12
			Initial Inspection	Total	1.4	0.5	0.5	1.361	7
				Org.	2.3	1.0	1.0	2.387	5
			Final Inspection	Total	0.8	0.5	0.5	0.501	29
				Org.	0.8	*	*	*	*
			Tested	Total	0.8	0.5	0.5	0.501	29
				Org.	0.8	0.5	0.5	0.501	29
			Remove and Install	Total	0.8	0.5	0.5	0.459	28
				Org.	0.7	*	*	*	*
				Total	2.0	2.0	1.0	1.118	9
				Org.	2.0	*	*	*	*
				Total	2.0	2.0	1.0	1.155	7
				Org.	7.4	6.0	4.0	5.651	82
				Total	2.1	2.0	3.0	1.303	13
				Org.	8.5	7.0	10.0	5.657	67

\*Insufficient Data

OH-53A FLAT RATE DATA  
 FUNCTIONAL GROUP 03  
 REFERENCE FIGURE 49

ITEM NO.	DESCRIPTION	FSN/PN	ACTION CODE	MAINT LEVEL	MEAN	MEDIAN	MODE	STD. DEV.	SAMPLE SIZE				
--	Freewheeling Assy (Cont'd)		Checked	Total	1.3	1.0	1.0	0.728	11				
				Org.	0.9	1.0	1.0	0.252	4				
				Supp.	1.5	1.0	1.0	0.815	7				
			Remove	Total	3.4	4.0	4.0	1.0	2.095	8			
				Org.	*	*	*	*	*	*			
				Supp.	3.4	4.0	1.0	1.0	2.095	8			
			Install	Total	3.4	4.0	4.0	4.0	1.654	9			
				Org.	*	*	*	*	*	*			
				Supp.	3.4	4.0	4.0	4.0	1.654	9			
							Total						
							Org.						
							Supp.						
				Total									
				Org.									
				Supp.									
				Total									
				Org.									
				Supp.									

Production Data

PAGES 135 THRU 144

ARE  
MISSING  
IN  
ORIGINAL  
DOCUMENT

OH-53A FLAT RATE DATA  
 FUNCTIONAL GROUP 03  
 REFERENCE FIGURE 53

ITEM NO.	NOMENCLATURE	FSN/PN	ACTION CODE	MAINT. LEVEL	MEAN	MEDIAN	MODE	STD. DEV.	SAMPLE SIZE
4	Oil Tank (con't)		Remove and Install	Total	2.9	2.5	3.0	1.957	47
				Org.	2.6	2.0	1.0	1.943	32
				Supp.	3.6	3.0	4.0	1.866	15
			Remove	Total	2.0	2.0	1.0	1.188	9
				Org.	2.1	1.0	1.0	1.429	6
				Supp.	*	*	*	*	*
			Install	Total	2.0	2.0	2.0	0.354	5
				Org.	2.2	2.0	2.0	0.292	3
				Supp.	1.8	1.5	2.0	0.361	2
5	Oil Drain	28401316399	Repair	Total	1.3	1.0	2.0	0.671	5
				Org.	*	*	*	*	*
				Supp.	1.1	1.0	1.0	0.630	4
			Remove and Install	Total	1.0	0.5	0.5	0.972	8
				Org.	0.7	0.5	0.5	0.623	6
				Supp.	*	*	*	*	*
6	Switch	66801795187	Replace	Total	2.5	2.0	4.0	1.378	6
				Org.	2.2	2.0	1.0	1.304	5
				Supp.	*	*	*	*	*
7	Indicator	66804548109	Replace	Total	1.5	1.0	1.0	0.931	9
				Org.	1.3	1.0	1.0	0.801	8
				Supp.	*	*	*	*	*
8	Packing	53308063246	Replace	Total	1.0	1.0	1.0	0.238	7
				Org.	1.0	1.0	1.0	0.292	5
				Supp.	*	*	*	*	*
9	Temperature Transmitter	66855809651	Replace	Total	1.5	1.0	1.0	0.842	43
				Org.	1.5	1.0	1.0	0.863	40
				Supp.	*	*	*	*	*

\*Insufficient Data



OH-53A FLAT PATE DATA  
 FUNCTIONAL GROUP 03  
 REFERENCE FIGURE 53

ITEM NO.	NOMENCLATURE	FSN/PN	ACTION CODE	MAINT LEVEL	MEAN	MEDIAN	MODE	STD. DEV.	SAMPLE SIZE
10	Packing	53309905194	Replace	Total Org. Supp.	0.9 0.9 0.8	1.0 1.0 1.0	1.0 1.0 1.0	0.424 0.470 0.361	15 10 5
--	Engine Oil System		Replace	Total Org. Supp.	1.2 1.2 *	1.0 1.0 *	1.0 1.0 *	0.616 0.561 *	18 16 *
			Adjust	Total Org. Supp.	1.3 1.3 *	1.0 1.0 *	1.0 1.0 *	1.012 1.020 *	24 22 *
			Repair	Total Org. Supp.	1.2 1.0 1.5	1.0 1.0 0.5	1.0 1.0 2.0	1.067 0.703 1.445	14 8 6
			Service	Total Org. Supp.	0.6 0.6 1.0	0.5 0.5 1.0	0.5 0.5 1.0	0.497 0.494 0.607	3039 2997 42
			Initial Inspection	Total Org. Supp.	0.7 0.7 1.3	0.5 0.5 1.0	0.5 0.5 1.5	0.391 0.351 0.294	34 30 4
			Tested	Total Org. Supp.	0.9 1.0 *	1.0 1.0 *	1.0 1.0 *	0.536 0.537 *	158 156 *
			Remove and Install	Total Org. Supp.	1.3 1.3 *	1.0 1.0 *	1.0 1.0 *	0.879 0.893 *	70 67 *
			Checked	Total Org. Supp.	0.6 0.6 *	0.5 0.5 *	0.5 0.5 *	0.327 0.310 *	66 62 *

Measurement Data

OH-53A FLAT RATE DATA  
 FUNCTIONAL GROUP 03  
 REFERENCE FIGURE 53

ITEM NO.	NOMENCLATURE	FSR/PN	ACTION MODE	MAINT LEVEL	MEAN	MEDIAN	MODE	STL. DEV.	SAMPLE SIZE		
--	Engine Oil System (Cont'd)		Remove	Total	0.8	0.5	0.5	0.476	14		
				Org	0.9	0.8	0.5	0.464	13		
			Install	Total	0.7	0.5	0.5	0.484	6		
				Org	0.7	0.5	0.5	0.484	6		
				Total							
				Org							
				Total							
				Org							
				Total							
				Org							
				Total							
				Org							
				Total							
				Org							
	Total										
	Org										
	Total										
	Org										

Maintenance Data

FUNCTIONAL GROUP 03  
MISCELLANEOUS ITEMS

OH-58A FLAT RATE DATA  
 FUNCTIONAL GROUP 03  
 MISCELLANEOUS

ITEM NO.	NOMENCLATURE	FSN/PN	ACTION CODE	MAINT. LEVEL	MEAN	MEDIAN	MODE	STD. DEV.	SAMPLE SIZE
---	Gasket	**	Replace	Total Org. Supp.	1.4 1.5 1.5	1.0 1.0 1.0	1.0 1.0 1.0	1.182 1.072 1.321	54 14 40
---	Packing	**	Replace	Total Org. Supp.	1.0 0.9 1.2	1.0 0.8 1.0	1.0 0.5 1.0	.737 .636 .917	275 630 245
---	Plug	**	Remove and Install	Total Org. Supp.	1.0 0.8 1.3	1.0 1.0 0.5	1.0 1.0 2.0	.612 .292 1.063	5 3 2
---	Seal	**	Replace	Total Org. Supp.	0.6 0.6 *	0.5 0.5 *	0.5 0.5 *	0.177 0.187 *	8 7 *
---	Washer	**	Replace	Total Org. Supp.	3.2 3.0 3.3	2.0 2.0 2.5	2.0 2.0 2.0	2.282 1.964 2.441	766 243 523
---	Hose Clamp	**	Install	Total Org. Supp.	2.1 2.4 *	2.0 2.0 *	2.0 2.0 *	1.281 1.140 *	6 5 *
---	Nut	**	Replace	Total Org. Supp.	0.7 * 0.8	0.5 * 0.5	0.5 * 0.5	0.168 * 0.189	11 * 10
---		**	Replace	Total Org. Supp.	0.8 0.6 1.1	0.6 0.5 1.0	1.0 0.5 1.0	0.129 0.233 0.192	17 8 6
---		**	Replace	Total Org. Supp.	2.0 1.6 2.1	1.0 1.0 1.0	1.0 1.0 1.0	1.600 1.132 1.659	28 8 20

\* Insufficient Data  
 \*\* Items Identified by Nomenclature as Functional Group 03 Hardware.