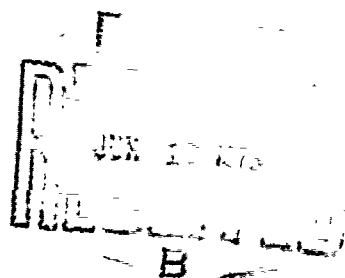
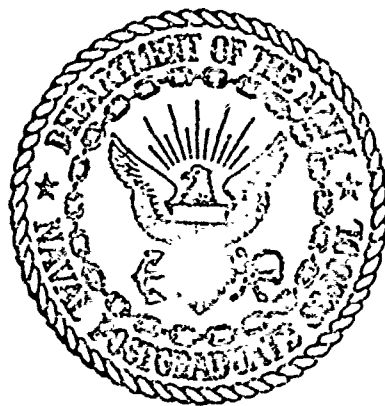


171185

NAVAL POSTGRADUATE SCHOOL

Monterey, California

ADA010813



THESIS

PASSIVE ENVIRONMENTAL ASW PREDICTION SYSTEM
(PEAPS)

by

Michael Edward Beckes
Nicholas Pegau Burhans
Robert Edgar Gump

March 1975

Thesis Advisors:

A.B. Coppens
D.E. Harrison Jr

Approved for public release; distribution unlimited.

Reproduced by
NATIONAL TECHNICAL
INFORMATION SERVICE
U.S. Department of Commerce
Springfield, MA 22151

UNCLASSIFIED

SECURITY CLASSIFICATION OF THIS PAGE (When Data Entered)

REPORT DOCUMENTATION PAGE		READ INSTRUCTIONS BEFORE COMPLETING FORM
1. REPORT NUMBER NPS-71Be75031	2. GOVT ACCESSION NO.	3. RECIPIENT'S CATALOG NUMBER
4. TITLE (and Subtitle) PASSIVE ENVIRONMENTAL ASW PREDICTION SYSTEM (PEAPS)		5. TYPE OF REPORT & PERIOD COVERED Master's Thesis; March 1975
		6. PERFORMING ORG. REPORT NUMBER
7. AUTHOR(s) Michael Edward Beckes Nicholas Pegau Burhans Robert Edgar Gump		8. CONTRACT OR GRANT NUMBER(s)
9. PERFORMING ORGANIZATION NAME AND ADDRESS Naval Postgraduate School Monterey, California 93940 Code 51Cz		10. PROGRAM ELEMENT, PROJECT, TASK AREA & WORK UNIT NUMBERS
11. CONTROLLING OFFICE NAME AND ADDRESS		12. REPORT DATE March 1975
		13. NUMBER OF PAGES - 170
14. MONITORING AGENCY NAME & ADDRESS (if different from Controlling Office)		15. SECURITY CLASS. (of this report) UNCLASSIFIED
		15a. DECLASSIFICATION/DOWNGRADING SCHEDULE
16. DISTRIBUTION STATEMENT (of this Report) Approved for public release; distribution unlimited.		
17. DISTRIBUTION STATEMENT (of the abstract entered in Block 20, if different from Report)		
18. SUPPLEMENTARY NOTES		
19. KEY WORDS (Continue on reverse side if necessary and identify by block number) Transmission Loss Sound Speed Profile Probability of Detection Ray Trace		
20. ABSTRACT (Continue on reverse side if necessary and identify by block number) PEAPS (Passive Environmental ASW Prediction System) is a relatively unsophisticated model which accepts input source and receiver parameters and then predicts sound propagation characteristics in an ocean environment, the corresponding transmission loss, and the probability of detection. The program was written for a programmable desk-top calculator for immediate deployment and operational testing.		

DD FORM 1 JAN 73 1473
(Page 0)EDITION OF 1 NOV 66 IS OBSOLETE
S/N 0102-014-66011

1

PRICES SUBJECT TO CHANGE
UNCLASSIFIED
SECURITY CLASSIFICATION OF THIS PAGE (When Data Entered)

UNCLASSIFIED

SECURITY CLASSIFICATION OF THIS PAGE(When Data Entered)

(20. ABSTRACT Continued)

aboard small ASW platforms. The program is also available
in a form suitable for large computers.

DD Form 1473 (BACK)
1 Jan 73
S/N 0102-014-6601

1a

UNCLASSIFIED
SECURITY CLASSIFICATION OF THIS PAGE(When Data Entered)

Passive Environmental ASW Prediction System
(PEAPS)

by

Michael Edward Beckes
Lieutenant Commander, United States Navy
B.S., University of Illinois, 1965

Nicholas Pegau Burhans
Lieutenant, United States Navy
B.A., Michigan State University, 1968

Robert Edgar Gump
Lieutenant, United States Navy
B.S., Purdue University, 1968

Submitted in partial fulfillment of the
requirements for the degree of

MASTER OF SCIENCE IN SYSTEMS TECHNOLOGY

from the

NAVAL POSTGRADUATE SCHOOL
March 1975

Authors:

Michael Edward Beckes

Nicholas Pegau Burhans

Robert E. Gump

Approved by:

Alan B. Crippens

Thesis Advisor

J. E. ...

Co-Advisor

W. Peyton Cunningham

Chairman, ASW Academic Group

John R. ...

Academic Dean

NAVAL POSTGRADUATE SCHOOL
Monterey, California

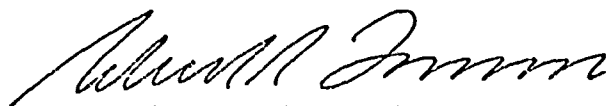
Rear Admiral Isham Linder
Superintendent

Jack R. Borsting
Provost

This thesis prepared in conjunction with research
supported by the Naval Postgraduate School.

Reproduction of all or part of this report is authorized.

Released as a
Technical Report by:



Dean of Research

ABSTRACT

PEAPS (Passive Environmental ASW Prediction System) is a relatively unsophisticated model which accepts input source and receiver parameters and then predicts sound propagation characteristics in an ocean environment, the corresponding transmission loss, and the probability of detection. The program was written for a programmable desk-top calculator for immediate deployment and operational testing aboard small ASW platforms. The program is also available in a form suitable for larger computers.

TABLE OF CONTENTS

I.	INTRODUCTION -----	14
A.	BACKGROUND -----	14
B.	PEAPS -----	15
1.	Description -----	15
2.	Assumptions and Constraints -----	15
II.	SPEED OF SOUND PROFILE (SSP) GENERATOR -----	17
A.	PURPOSE -----	17
B.	INPUTS -----	17
C.	MODEL -----	19
D.	OUTPUT -----	22
III.	RAY TRACE GENERATOR -----	25
A.	PURPOSE -----	25
B.	MODES -----	25
C.	INPUTS -----	27
D.	MODEL -----	27
E.	OUTPUT -----	33
IV.	TRANSMISSION LOSS GENERATOR -----	38
A.	PATH SELECTION -----	38
1.	Surface-Duct Path (SDP) -----	38
2.	Reliable Acoustic Path (RAP) -----	40
3.	Bottom-Bounce Path (BBP) -----	40
4.	Convergence-Zone Path (CZP) -----	40
5.	Deep Sound-Channel Path (DSCP) -----	40
B.	INPUTS -----	40

C.	TRANSMISSION LOSS MODELS -----	42
1.	Surface-Duct Path (SDP) -----	42
2.	Reliable Acoustic Path (RAP) -----	45
3.	Bottom-Bounce Path (BBP) -----	45
4.	Convergence-Zone Path (CZP) -----	49
5.	Deep Sound-Channel Path (DSCP) -----	50
D.	COMBINED TRANSMISSION LOSS -----	50
E.	OUTPUT -----	53
F.	SHORTCOMINGS OF THE MODELS -----	53
V.	PROBABILITY OF DETECTION (PD) GENERATOR -----	58
A.	INPUTS -----	58
B.	MODEL -----	58
C.	OUTPUT -----	59
VI.	CONCLUDING REMARKS -----	60
APPENDIX A:	PEAPS HARDWARE DESCRIPTION -----	61
APPENDIX B:	PEAPS WORKSHEET -----	62
APPENDIX C:	PEAPS OPERATOR NOTE SHEETS FOR THE HP9810A -----	66
APPENDIX D:	FLOW CHARTS, PROGRAM LISTINGS, AND OUTPUT FROM THE HP9810A AND IBM 360 -----	76
APPENDIX E:	PEAPS STORAGE LOCATIONS IN THE HP9810A -----	163
	LIST OF REFERENCES -----	168
	INITIAL DISTRIBUTION LIST -----	169

LIST OF TABLES

I.	Validation of Sound Speed Parameters -----	20
II.	Comparison of PEAPS and Theoretical Range Increment Determinations -----	34
III.	Comparison of Minimum Duct Thickness -----	41

LIST OF ILLUSTRATIONS

1.	SSP Portion of Operator Worksheet -----	18
2.	SSP Printer Output -----	23
3.	SSP Plot -----	24
4.	Convergence-Zone Path (CZP) -----	26
5.	Ray Trace Portion of Operator Worksheet -----	28
6.	Ray Curvature within a Water Column -----	29
7.	Sample Mode 0 Run when CZ Conditions are Met -----	36
8.	Mode 2 Run -----	37
9.	Sonic Layer Depth -----	39
10.	Surface Duct Path (SDP) -----	43
11.	Reliable Acoustic Path (RAP) -----	46
12.	Multiple Bottom Bounce Path (BBP) -----	47
13.	Convergence Zone Gain Model -----	51
14.	Deep Sound Channel Path (DSCP) -----	52
15.	Transmission Loss and Probability of Detection Plot -----	54
16.	Comparison of Absorption Coefficient Equation with Measured Data -----	56
17.	Illustration of Merging Techniques for Speed of Sound Profiles -----	70

TABLE OF SYMBOLS

<u>SYMBOL</u>	<u>DEFINITION</u>
A	The absorption coefficient (dB/yd) derived from the input source frequency.
BMA	The angle of incidence below which the bottom loss becomes constant (determined by the input source frequency and bottom type).
BO	The intercept used in the bottom loss equation.
B1	The slope used in the bottom loss equation.
CD1	Surface depth - the first point entered by the operator (always 0.0).
CD2	The depth of the sonic layer (if no sonic layer exists, then CD2 = CD1).
CD3 to CD5	The depths of the critical points (those points where the gradient of the speed of sound changes sign or becomes zero) between CD2 and the bottom.
CD6	The bottom depth.
CS1 to CS6	The sound speeds corresponding to the critical depths CD1 to CD6.
CZMAX	The maximum range of the first convergence zone annulus.
CZMIN	The minimum range to the first CZ annulus.
CZSTOP	The incremented stopping range for the CZ segment of the program.
CZSTRT	The incremented starting range for the CZ segment of the program.
DFL	The diffractive loss out of the surface duct; used in the surface duct segment of the program.

<u>SYMBOL</u>	<u>DEFINITION</u>
DR	The horizontal range increment used while ray tracing = $5[D(i)-D(i-1)]^{1/2}$ where $D(i)$ is the SSP depth below, and $D(i-1)$ that above the ray depth.
DRPERM	Range increment in the TL/PD program = 2000 yards; used outside the CZ annulus.
DRWRK	The working range increment used by the transmission loss program; = DRPERM outside the CZ annulus, = 0.1 the annulus width inside the CZ annulus.
DTH	The angle increment to be added to THMIN (input by the operator when MODE = 2).
D1 to D15	The input depths from the BT trace.
G	The sound speed gradient in the water column segment in which the ray is being traced.
IBB	The bottom-bounce propagation-path indicator.
IBT	The input bottom type indicator (1 to 9) which is converted to a factor (BT) used in the bottom-bounce segment of the TLOSS program.
ICZ	The convergence-zone propagation-path indicator.
ICZRC	The CZ range increment counter.
IDSC	The deep sound-channel propagation-path indicator.
IFOM	The input figure of merit.
IPLOT	The plotting indicator for the ray trace program used during MODE = 0. 0 = the ray trace is to be plotted. 1 = the ray trace is not to be plotted.
IRAP	The indicator for reliable acoustic path.

<u>SYMBOL</u>	<u>DEFINITION</u>
ISD	The indicator for surface-duct propagation path.
ISS	The input system sigma.
IWH	The input wave height (in feet).
N	The number of bottom bounces being considered by the bottom bounce segment of the program.
NG	The number of critical gradient sections in the sound speed profile.
NPTS	The number of input points from the BT trace.
MODE	The mode indicator for the ray trace program. 0 = automatic ray trace, compute, and plot. 1 = automatic ray trace, compute no plot. 2 = operator enters the source emission angles to be plotted by the ray trace program, then a Mode 1 computation to determine values needed for follow-on programs.
R	The horizontal range of the ray that is being traced (in ft) and the TL/PD range (in yards).
RD	The input receiver depth (in feet).
RADINV	The inverse of the radius of curvature for a ray as it is traced through a vertical section of the water column.
RDR	A derived factor used in the ray trace program ($RADINV * DR$).
RL2	The square of the cutoff range for the reliable acoustic path (RAP) portion of the program.
RMAX	The derived maximum range to be considered in the transmission loss/probability of detection program (dependent on IFOM).

<u>SYMBOL</u>	<u>DEFINITION</u>
RPT	The transition range used in the deep-sound-channel segment of the program.
RS	The derived skip distance used in the surface-duct segment of the program.
RT	The derived transition range used in the surface-duct segment of the program.
SD	The input source depth, in feet.
SE	The derived signal excess (SE = STL - IFOM).
SF	The input source frequency, in Hertz (Hz).
SS	Speed of sound.
SSL	The derived sea surface loss used in the surface duct segment of the program.
STL	The cumulative transmission loss from the existing transmission paths at a particular range from the source.
SV	The derived speed of sound at the source.
S1 to S15	The derived speed of sound corresponding to the input data from the BT trace.
TH	The angle the ray makes with the horizontal as it is being traced.
THBB	The derived minimum emission angle from the source that will result in a bottom bounce ray.
THBL	The angle used to determine the bottom loss in the bottom bounce segment of the program.
THMAX	The maximum ray emission angle from the source entered by the operator when MODE = 2.
THMIN	The minimum ray emission angle from the source entered by the operator when MODE = 2.

SYMBOL

DEFINITION

THP	The approximate minimum source emission angle that will produce a convergence zone ray. Used as a starting point in the automatic modes (MODE = 0 or 1) to determine CZMIN by iterative ray tracing.
THPP	The approximate THBB used in the automatic modes as a starting point for iterative ray tracing to determine THBB.
TL	A transmission loss storage location.
WRKNG	Storage registers used in several portions of the programs for temporary storage.
Z	The depth of the ray being traced, measured from the source depth.

I. INTRODUCTION

A. BACKGROUND

Shore-based prediction systems rely on complex acoustic models which require large computers and relatively long computation times. Their predictions are based on historical meteorologic and oceanographic data for regions in which environmental conditions are assumed to be homogeneous. These systems use a single level of sonar performance as the basis for all range predictions. The value of such systems lies in their use as research tools and for pre-deployment planning: they can be considered to be strategic systems.

With the advent of the programmable desk-top calculator comes the possibility that a simple acoustic prediction model can be placed on board anti-submarine warfare (ASW) platforms. This makes it possible for the ASW platform to take advantage of on-scene bathythermographic (BT) data to obtain current range predictions based on the output of the platform's own sensors. In addition, an on-board system enables the ASW platform to obtain predictions under all electronic emission control (EMCON) conditions. The programmable desk-top calculators make possible environmental predictions at the tactical level.

B. PEAPS

1. Description

PEAPS (Passive Environmental ASW Prediction System) was designed for use in any programmable desk-top calculator or general-purpose computer with sufficient capacity for the program.

The system is composed of four sub-programs: a speed of sound profile (SSP) generator, a ray trace generator, a transmission loss (TL) generator, and a probability of detection (PD) generator. The SSP and ray trace generators are combined as an SSP/Ray Trace program; the TL and PD generators are combined as a TL/PD program. These sub-programs are described in detail in subsequent chapters.

2. Assumptions and Constraints

The system was written originally in a machine language for use on a small capacity, programmable, desk-top calculator (the Hewlett-Packard Model 9810A with expanded storage). The hardware used to develop PEAPS is described in Appendix A. Total program capacity of the calculator was 2036 program steps with 100 data-storage registers. This calculator was used because it was relatively inexpensive and readily accessible; it was reasoned that if a simple working model could be designed on a small-capacity, programmable calculator, more sophisticated models would be possible on larger programmable calculators.

PEAPS is a relative unsophisticated system which uses approximation techniques to compute transmission losses

under the assumptions of a flat-bottomed ocean and phase incoherent interference. Lateral variations in vertical temperature profiles are neglected. Speed of sound profiles are approximated by straight-line segments, with storage available for fourteen segments (fifteen input points) and five smoothed gradients. When available to the user deep ocean historical data may be incorporated into the input, but such data are neither stored nor generated internally. The specific assumptions and constraints used in each sub-program are described in the subsequent chapter which deals with that sub-program.

General worksheets for PEAPS have been designed to guide the operator through the sequence of steps required to generate output (Appendix B).

Operator note sheets also have been written in outline form to describe the use of the individual sub-programs of the system and to assist the operator when problems and questions arise (Appendix C).

II. SPEED OF SOUND PROFILE (SSP) GENERATOR

A. PURPOSE

The speed-of-sound generator produces a plot of sound speed versus depth for inputs from a bathythermograph (BT) trace. The data are then searched for critical points which are stored for subsequent use by the ray trace and transmission loss (TL) programs. A critical point is a point on the sound speed profile where the gradient of the sound speed changes sign or becomes zero. All sound-speed points are stored for use in the ray trace sub-program.

B. INPUTS

Figure 1 shows the SSP portion of the operator's worksheet. The operator manually inserts the BT data from the worksheet into the calculator programmed for SSP/Ray Trace. As indicated, the data entered on the worksheet are the number of BT points to be entered, and the depth (ft), temperature ($^{\circ}$ F), and salinity (ppt) of each input point; if salinity is unknown and historical salinity data are unobtainable, a value of 35 parts per thousand (ppt) is entered. If the bottom depth is greater than that of the BT trace and historical data are not available, it is recommended that the operator enter the last BT temperature as the bottom temperature. This will produce a profile for constant temperature from the last BT point to the bottom. If tables of historical salinities and temperatures-versus-depth

PEAPS OPERATOR WORKSHEET

(See PEAPS Operator Note Sheets)

BT Information DTG: _____ Z _____
 Location: _____ N/S _____, _____ E/W _____

1. Turn the calculator and plotter on. "LOAD" the SSP/Ray trace program cards. Put the plotting paper on the plotter and set the "GRAPH LIMITS" of the plotter.
2. Press "STOP, END, CONTINUE" (this sequence is used when a new SSP is to be generated).

Note 1: If you enter an erroneous value:

- a. If you have not pressed "CONTINUE", press "CLR X", then enter the correct value.
- b. If you have pressed "CONTINUE", you must re-enter all the points again; press "GO TO, LABEL, A", then continue with Step 3 below.

3. Press "CONTINUE".
4. SSP inputs: ENTER number of BT points (15 maximum) _____
 Press "CONTINUE" after each value is entered to advance the program

Point	Input Depth (ft)	Input Temp (°F)	Input Salinity (ppt)	Output Speed of Sound (ft/sec)
1	0.0	_____	_____	_____
2	_____	_____	_____	_____
.
.
.
10	_____	_____	_____	_____
.
.
.
15	_____	_____	_____	_____

FIGURE 1

for the oceanic area of interest are available to the operator, then use Section G of the Operator Note Sheets (Appendix G) to merge the historical and on-scene BT data for improved accuracy.

C. MODEL

The basic physical concepts of sound transmission are fairly simple, but computation of the sound speed for the ocean is rather complex because of the varying physical properties of sea water. The computation of sound speed from empirical relations based upon laboratory measurements began in the early 1950's (Del Grasso, 1952; Wilson, 1960). Attempts to record accurate hydrographic data while electronically measuring the sound speed were successful in the early 1960's (Hays, 1961; Mackenzie, 1961). For these latter experiments, a computed sound speed was obtained based on three measured parameters: temperature, salinity, and depth. The results were then compared with the electronically-recorded sound speeds. These observations resulted in either slight modification of the coefficients in existing equations or the development of new polynomial equations (Wilson, 1960; Leroy, 1968; Frye and Pugh, 1971; Anderson, 1971; Del Grasso, 1972). From the results obtained by these experimenters, the variation of sound speed versus temperature, salinity, and depth can be approximately represented as indicated in Table I.

Approximately 99% of all sea water falls within the temperature range -3°C to $+30^{\circ}\text{C}$ and the salinity range 33 to

TABLE I

Variations of sound speed caused by variations in temperature, salinity, and depth. A variation of one parameter signifies that the other parameters are held constant: temperature at 0°C, zero depth, salinity at 35.00 ppt.

<u>Temperature (°C)</u>	<u>Sound Speed Change</u>
0 - 10	4.5 (meters/sec)/°C
10 - 20	3.0 (meters/sec)/°C
20 - 30	2.0 (meters/sec)/°C
<u>Salinity (ppt)</u>	
33 - 35	1.55 (meters/sec)/ppt
35 - 37	1.25 (meters/sec)/ppt
<u>Depth (meters)</u>	
0 - 10,000	0.017 (meters/sec)/meter

37 ppt (Montgomery, 1958; Frye and Pugh, 1971). Thus, thermal gradients are usually much more significant than salinity gradients in sound speed computations; so that the temperature-depth relation is a factor which must be considered in greatest detail in any sound propagation model.

Because the Frye and Pugh equation [1] for sound speed is dominated by temperature terms and requires relatively few program steps compared with other speed of sound equations, it was used in the sound speed profile sub-program. The equation was modified to use the approximation

$$\frac{\Delta SS}{\Delta Z} = \frac{\Delta SS}{\Delta P} \frac{\Delta P}{\Delta Z} \doteq 0.1 \frac{\Delta SS}{\Delta P}$$

for the speed of sound SS in meters/sec, the pressure P in bars (gage pressure), and the depth Z in meters. The resulting equation is

$$\begin{aligned} SS = & 1449.3 + 1.5848 \times 10^{-2}Z + 1.572 \times 10^{-7}Z^2 \\ & - 3.46 \times 10^{-16}Z^4 + 4.587T - 5.356 \times 10^{-2}T^2 \\ & + 2.604 \times 10^{-4}T^3 + 1.19(S - 35) + 9.6 \times 10^{-2}(S - 35)^2 \\ & + 1.354 \times 10^{-5}T^2Z - 7.19 \times 10^{-9}TZ^2 \\ & - 1.2 \times 10^{-2}(S - 35)T \end{aligned}$$

where SS = sound speed in meters/sec

Z = depth in meters

T = temperature in °C

S = salinity in ppt (parts per thousand).

The SSP sub-program converts the input data to MKS units for use in the above equation and then converts the resultant sound speeds to feet/sec for use in subsequent routines.

The above equation is relatively inaccurate in areas where salinity exceeds 36.6 ppt: Frye and Pugh claim accuracy only to 36.6 ppt and are presently working to extend the domain of their equation.

D. OUTPUT

The calculator prints the input data and the corresponding sound speeds on tape (Fig. 2), makes a plot of sound speed versus depth (Fig. 3), and refers the operator to Operator Note 2 for ray trace preparation (see Appendix C).

SSP
SEE NOTE 1

Figure 2. Sample Speed of Sound
Profile generator
printer input/output.

NR PTS			
DEPTH	15.00*	DEPTH	400.00*
TEMP	0.00*	TEMP	50.50*
SALIN	58.60*	SALIN	35.00*
SPD	35.00*	SPD	4898.36
	4941.70		
DEPTH	120.00*	DEPTH	650.00*
TEMP	58.60*	TEMP	47.90*
SALIN	35.00*	SALIN	35.00*
SPD	4943.64	SPD	4885.12
DEPTH	175.00*	DEPTH	870.00*
TEMP	57.00*	TEMP	47.30*
SALIN	35.00*	SALIN	35.00*
SPD	4935.15	SPD	4884.56
DEPTH	200.00*	DEPTH	900.00*
TEMP	56.00*	TEMP	47.70*
SALIN	35.00*	SALIN	35.00*
SPD	4929.58	SPD	4887.76
DEPTH	225.00*	DEPTH	1075.00*
TEMP	54.00*	TEMP	46.50*
SALIN	35.00*	SALIN	35.00*
SPD	4917.78	SPD	4882.36
		DEPTH	1100.00*
		TEMP	45.80*
		SALIN	35.00*
		SPD	4877.91
		DEPTH	1300.00*
		TEMP	45.00*
		SALIN	35.00*
		SPD	4875.51
		DEPTH	1380.00*
		TEMP	44.50*
		SALIN	35.00*
		SPD	4873.26
		DEPTH	1500.00*
		TEMP	43.70*
		SALIN	35.00*
		SPD	4869.49
		DEPTH	7500.00*
		TEMP	43.70*
		SALIN	35.00*
		SPD	4966.70

SEE NOTE 2

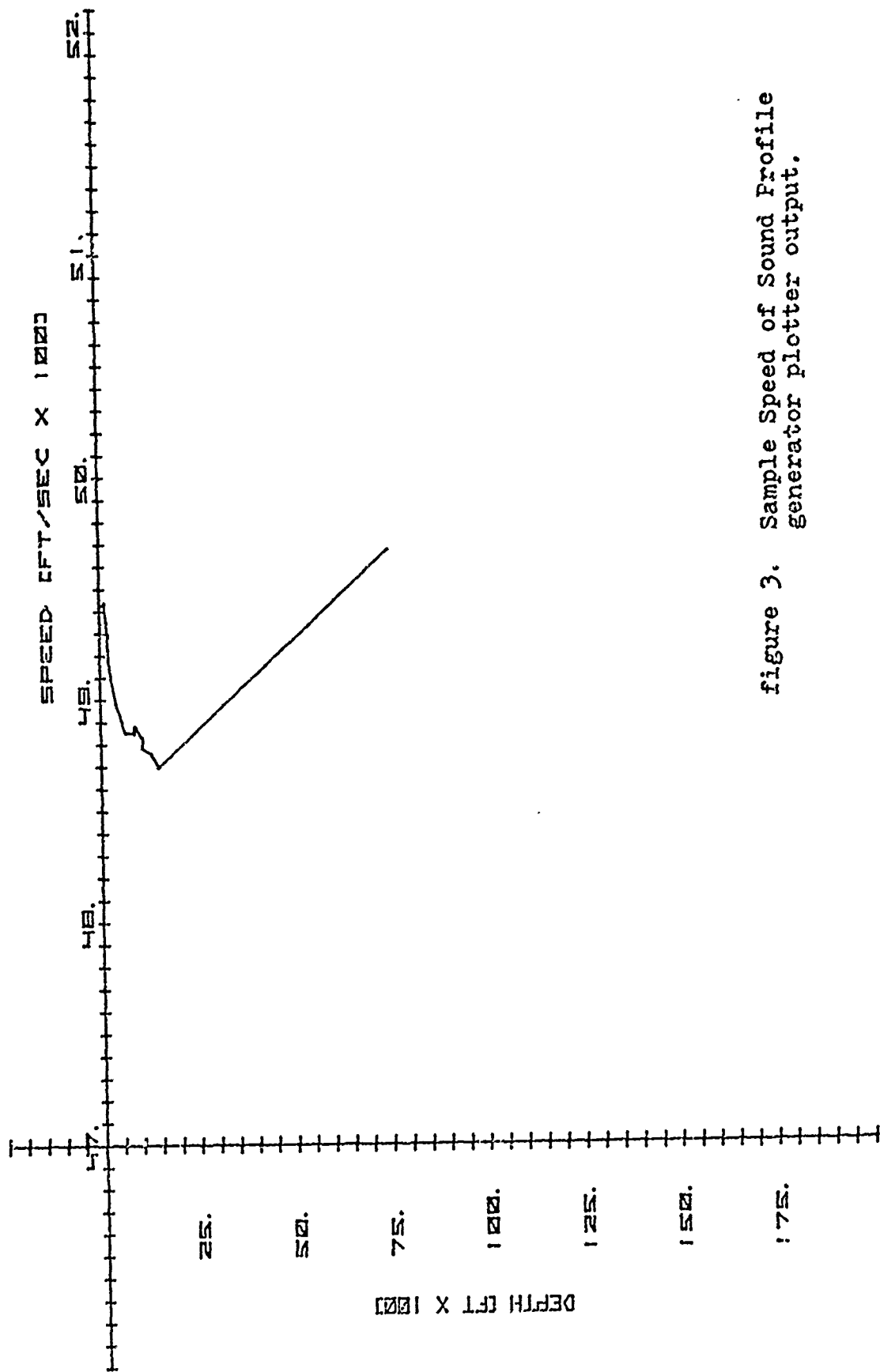


figure 3. Sample Speed of Sound Profile generator plotter output.

III. RAY TRACE GENERATOR

A. PURPOSE

A ray trace sub-program included in PEAPS makes the following tests and decisions:

1. inspect the speed-of-sound profile to determine whether the characteristics necessary for convergence zone propagation are present or not;
2. if CZ conditions exist, determine the maximum and minimum CZ ranges, where minimum CZ range is defined as the range from the source to the inner limit of the CZ annulus and maximum CZ range is defined as the range to the outer limit of the CZ annulus (Fig. 4), and in any event;
3. determine the minimum bottom bounce angle.

B. MODES

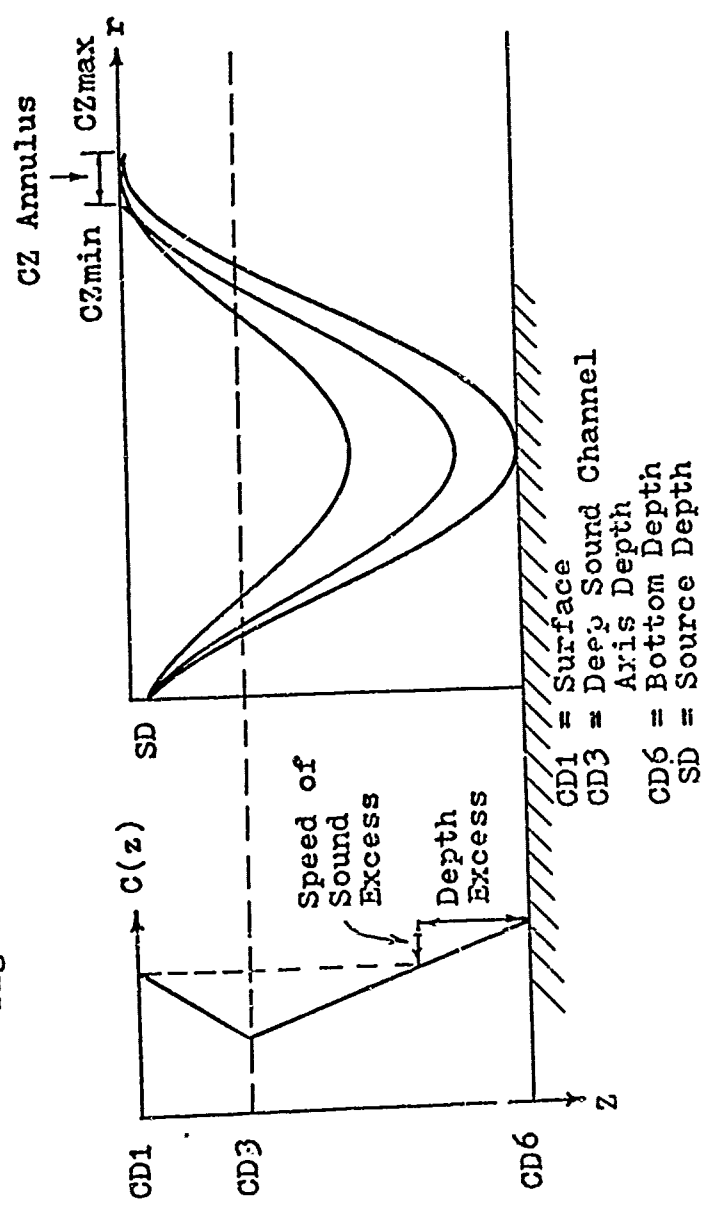
The ray trace sub-program has three modes of operation designated by 0, 1, and 2.

Mode 0 automatically determines and plots the limiting rays of the convergence-zone ray-family and stores the corresponding ranges.

Mode 1 is the same as Mode 0, but omits the ray trace plot.

Mode 2 gives a plot of the operator's input ray-family followed by a Mode 1 run.

figure 4. Convergence Zone Path



C. INPUTS

The operator enters the Mode number and source depth from the ray trace portion of the worksheet. If Mode 2 is selected, he must also enter twice the maximum and minimum emission angles and twice the desired increment in emission angle between successive rays¹ (Fig. 5).

D. MODEL

The ray trace generator uses Snell's Law in a small angle approximation.

Snell's Law for rays can be written as

$$\Delta r = R(\sin\theta_2 - \sin\theta_1)$$

and

$$\Delta Z = R(\cos\theta_1 - \cos\theta_2)$$

where the geometry is suggested in Fig. 6. Elimination of θ_2 gives the range-depth equation in terms of the initial angle of depression,

$$\Delta Z_1 = R\cos\theta_1 - R\left[1 - \left(\sin\theta_1 + \frac{\Delta r}{R}\right)^2\right]^{\frac{1}{2}} \quad (1)$$

¹See Section B of Note 2 in the Operator Note Sheets (Appendix C).

Note 2: Change the plotting paper on the plotter. Enter the ray trace program MODE indicator.

MODE: _____ \emptyset = Automatic compute and plot
1 = Automatic compute, no plot
2 = Manual inputs for plotting, Automatic compute.

If a ray trace input error is made, press "GOTO, LABEL, B, CONTINUE", then input the MODEL indicator and ray trace data again. (This sequence is used to generate a new trace using the old SSP data)

Press "CONTINUE"

4. Ray trace inputs:
Press "CONTINUE" after each input to advance the program.

Source Depth: _____ (ft)

If Mode 2 is used:

Minimum Ray Angle x 2: _____ (degrees)

Angle Increment x 2: _____ (degrees)

Maximum Ray Angle x 2: _____ (degrees)

Note 3: If, while in Mode \emptyset and after the bottom limiting ray has been drawn, a channelled ray is drawn to the plot's range limit; see Operator Note sheet section Note 2E.

Change the plotting paper on the plotter. Press "STOP, END". LOAD the TLOSS/PD program cards. Press "STOP, END". (The "STOP, END" sequence is used when a TLOSS/PD input error is made, or a new TLOSS/PD plot is to be generated based on the old SSP/Ray trace data.)

5. TLOSS/PD inputs:
Press "CONTINUE" after each input to advance the program.

Press "CONTINUE"

Source Frequency: _____ (Hz)

Figure of Merit (FOM): _____ (dB)

System Sigma: _____ (use 10 if unknown)

Wave Height: \emptyset 1 2 3 4 5 6 7 8 9 10 11 12 (ft)

Receiver Depth: _____ (ft)

Bottom Type: 1 2 3 4 5 6 7 8 9

FIGURE 5

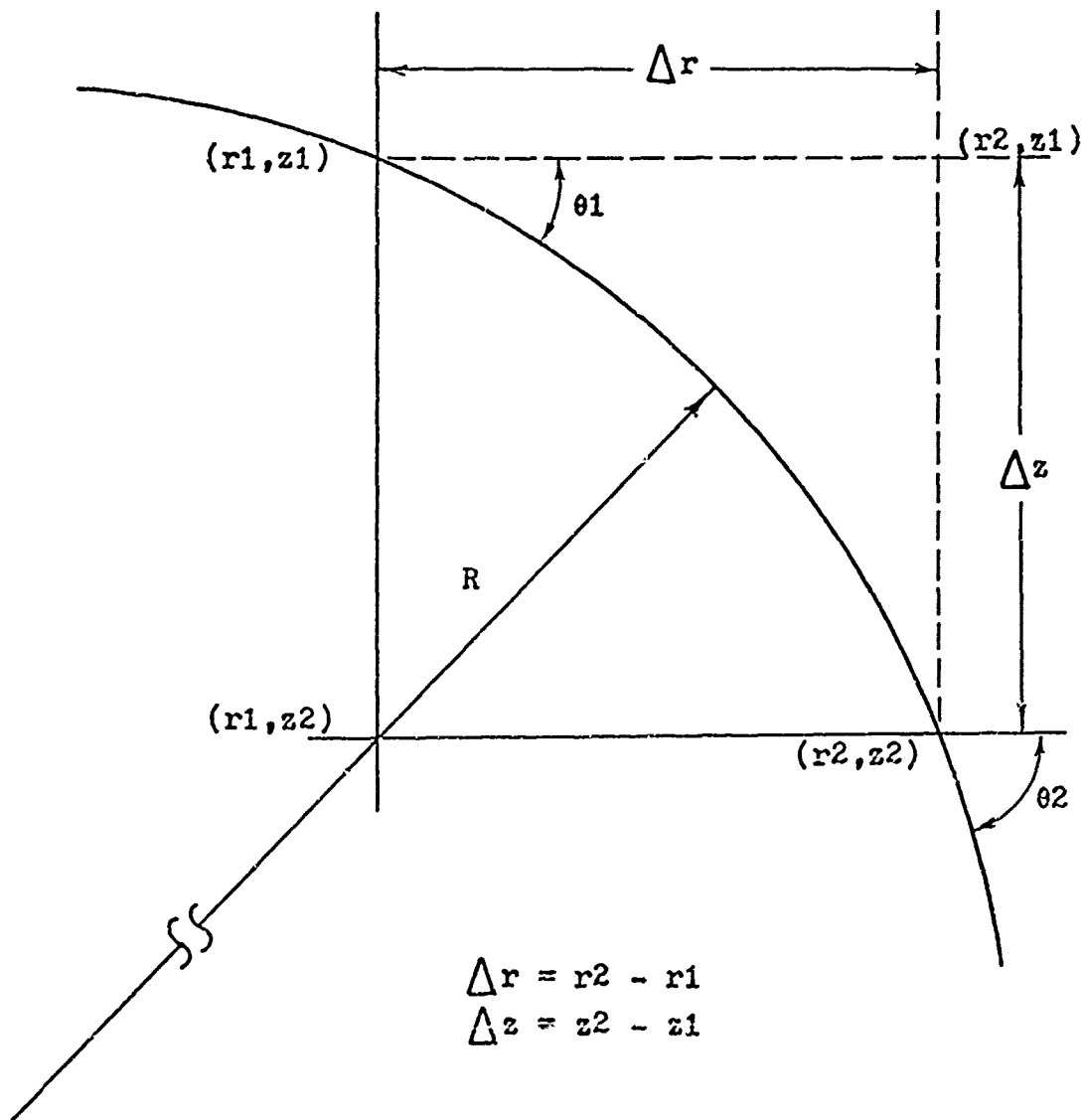


figure 6. Illustration of ray curvature within a water column.

Expanding Δz_1 as a MacLaurin series about $\Delta r = 0$ gives

$$\Delta z_2 = \tan\theta_1(\Delta r) + \frac{1}{2R(\cos\theta_1)^3} (\Delta r)^2 + \frac{\sin\theta_1}{2R^2(\cos\theta_1)^5} (\Delta r)^3 + \frac{1 - 4(\sin\theta_1)^2}{8R^3(\cos\theta_1)^7} (\Delta r)^4 + \dots \quad (2)$$

Substitution of the trigonometric series representations of $\tan x$ and $\cos x$ into the first two terms of equation (2) gives

$$\Delta z_3 = \theta_1 \left(1 + \frac{\theta_1^2}{3}\right) (\Delta r) + \frac{(1 + 1.5\theta_1^2)}{2R} (\Delta r)^2 \quad (3)$$

To conserve program space and reduce the computation time, PEAPS uses a simplified form of Eq. (3). Use of the small angle approximations

$$\sin\theta = \theta$$

and

$$\cos\theta = 1 - \frac{\theta^2}{2},$$

where θ is in radians, yields the simple approximations

$$\Delta z = (\theta_1) (\Delta r) + \frac{(\Delta r)^2}{R} \quad (4)$$

and

$$\Delta\theta = \Delta r/R.$$

For Eq. (4) to accurately represent Eq. (3), restrictions must be imposed on Δr and θ_1 . In order that omitting θ_1^2 introduces no more than 10% error, θ_1 must be less than 0.33 radians. To determine the limits on Δr , examine the case of "worst possible" conditions:

1. A maximum gradient of 0.5 sec^{-1} and a minimum sound speed of 4700 ft/sec are assumed so that the minimum radius of curvature is 9400 ft.

2. The maximum allowable angle of depression of 0.35 radians (20°) is taken.

To ensure that no layer is missed or poorly represented in the ray trace, five depth increments are required within any layer of depth D . Then, the first-order term in Eq. (4) yields the equation

$$\Delta r \leq \frac{D}{5\theta_1} = 0.57D \quad (5)$$

as an approximate bound on the allowed Δr within a layer of depth D .

So that the truncation of Eq. (2) to second order in Δr introduces no greater error, the third term of the equation must be much less than the second,

$$\frac{\sin^2 \theta_1}{2R^2 (\cos \theta_1)^5} (\Delta r)^3 \ll \frac{1}{2R (\cos \theta_1)^3} (\Delta r)^2$$

or

$$\Delta r \ll \frac{R (\cos \theta_1)^2}{\sin \theta_1} \leq 2.6R$$

If Δr is required to be at least one order of magnitude smaller than $2.6R$, then

$$\Delta r \leq 0.26R \leq 2444 \text{ ft.}$$

However, since for small θ_1 the third term becomes arbitrarily small, it is also necessary to require that the fourth term of Eq. (2) be much less than the second,

$$\frac{1 + 4(\sin\theta_1)^2}{8R^3(\cos\theta_1)^7} (\Delta r)^4 \ll \frac{1}{2R(\cos\theta_1)^3} (\Delta r)^2 ,$$

or

$$\Delta r \ll (2R)(\cos\theta_1)^2 [1 + 4(\sin\theta_1)^2]^{\frac{1}{2}} = 2.1R .$$

If Δr is to be at least one order of magnitude less than $2.1R$, then

$$\Delta r \leq 0.21R \leq 2012 \text{ ft.}$$

To estimate the error in calculating ΔZ from Eq. (4), subtract Eq. (4) from Eq. (3):

$$\Delta Z_3 - \Delta Z = \frac{\theta_1^3}{3} (\Delta r) + \frac{3\theta_1^2}{4R} (\Delta r)^2 \quad (6)$$

The fractional error is given by:

$$\frac{\Delta Z_3 - \Delta Z}{\Delta Z_3} = \frac{0.014 + (9.56 \times 10^{-6}) (\Delta r)}{0.36 + (1.16 \times 10^{-4}) (\Delta r)}$$

Away from a turning point, for large angles where the difference defined by Eq. (6) is large, the error is approximately 4% for small Δr and approximately 8% for large Δr . If the error is required to be no greater than 5%, then Δr must be no greater than about 1000 feet (near a turning point, $\Delta Z_3 - \Delta Z$ approaches zero very rapidly, so that errors in depth are negligible for small angles of elevation or depression).

Based on these error requirements, the simple equation

$$\Delta r = 5(D)^{\frac{1}{2}}$$

was used for Δr and D in feet. For the ranges of D employed in PEAPS the restrictions on Δr set forth above are not seriously violated (Table II).

E. OUTPUT

If convergence zone (CZ) conditions are not present, "NO CZ" appears on the printer. In all cases "SEE NOTE 3" and "END" appear, indicating the end of the SSP/Ray Trace programming sequence, and referring the user to Operator Note 3 (Appendix C).

TABLE II

Comparison of PEAPS and theoretical range increment values

<u>D</u>	<u>$\Delta r = \min(0.57D, 1000)$</u>	<u>$\Delta r = 5[D]^{1/2}$</u>
50	28.5	35.3
100	57.0	50.0
200	114.0	70.7
400	228.0	100.0
800	456.0	141.4
1600	912.0	200.0
3200	1000.0	282.8
6400	1000.0	400.0

Graphic outputs depend upon the Mode number chosen. Figure 7 is an illustration of a Mode 0 run when CZ conditions are met. Figure 8 shows a Mode 2 run. These pictorial outputs may serve as training aids in either a classroom or a shipboard environment to demonstrate the dependence of ray paths on the vertical sound speed structure. Mode 1 has no graphic ray trace output.

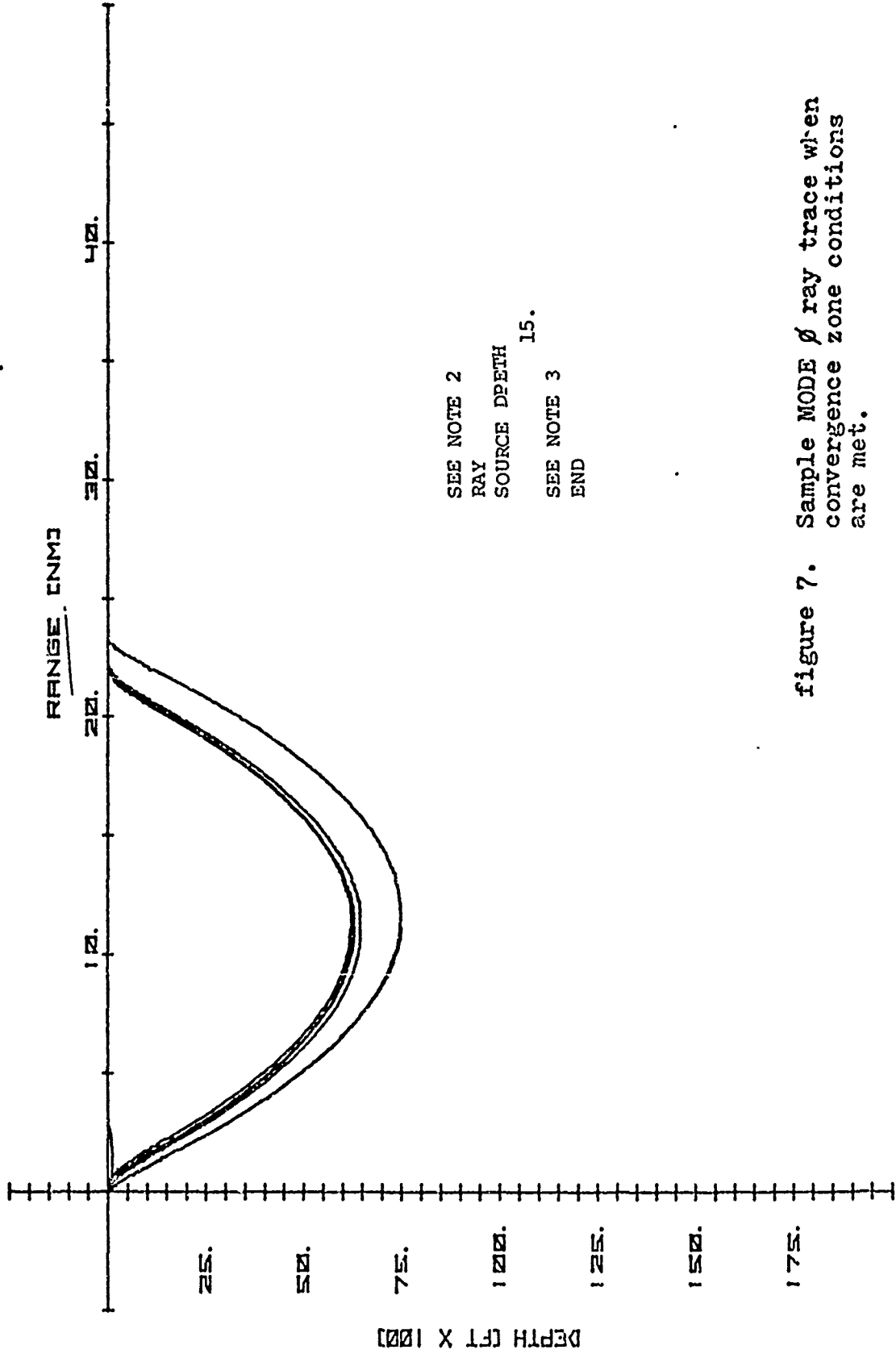


figure 7. Sample MODE ϕ ray trace when convergence zone conditions are met.

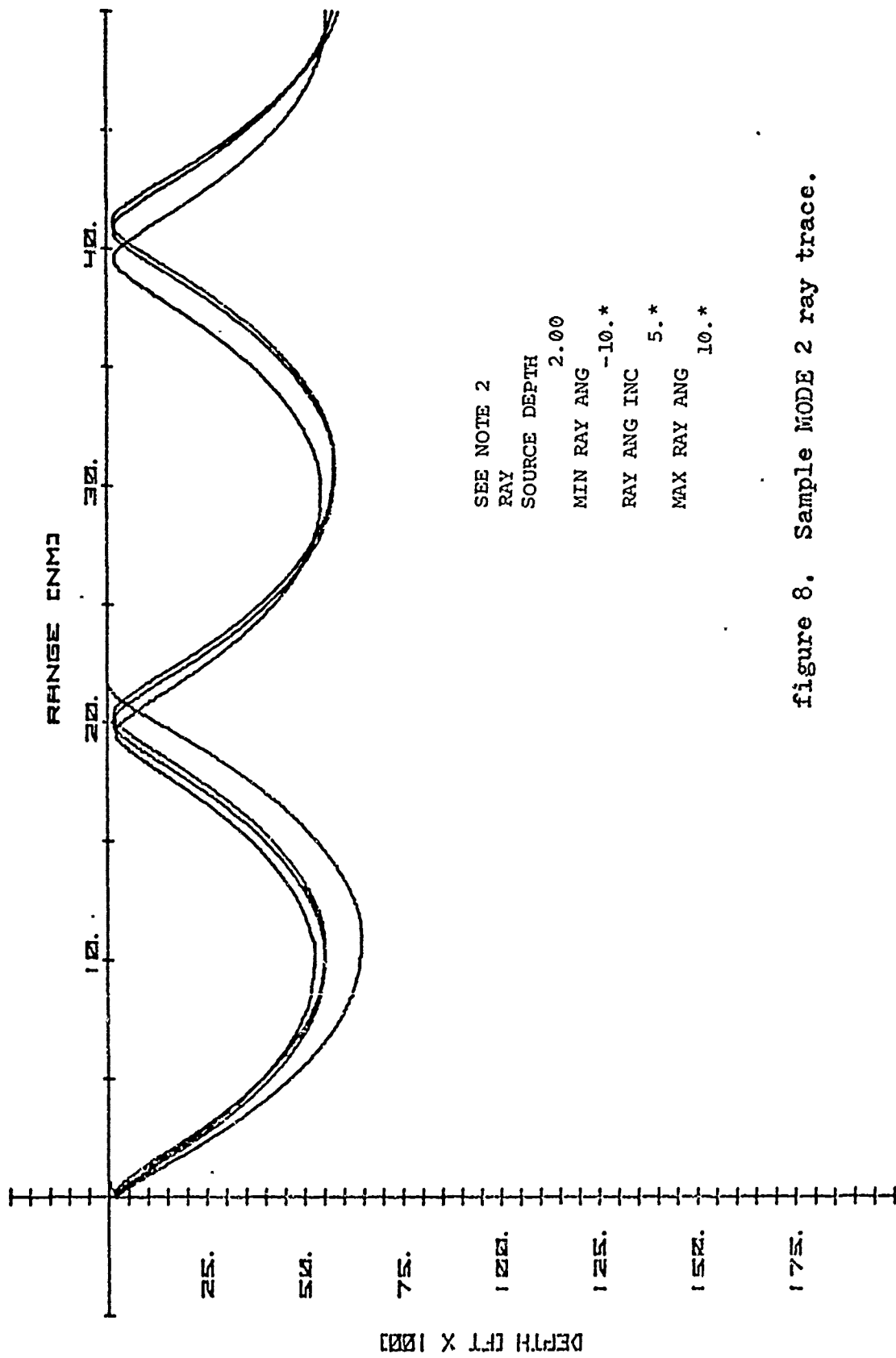


figure 8. Sample MODE 2 ray trace.

IV. TRANSMISSION LOSS GENERATOR

A. PATH SELECTION

Transmission loss is computed for paths which meet the following criteria:

1. Surface Duct Path (SDP)

a. The sound speed profile (SSP) contains a sonic layer. A sonic layer is defined as the layer above the first negative sound-speed gradient (Fig. 9).

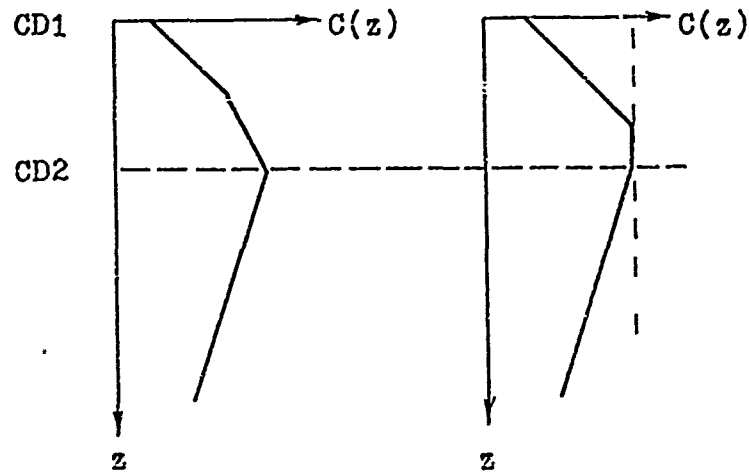
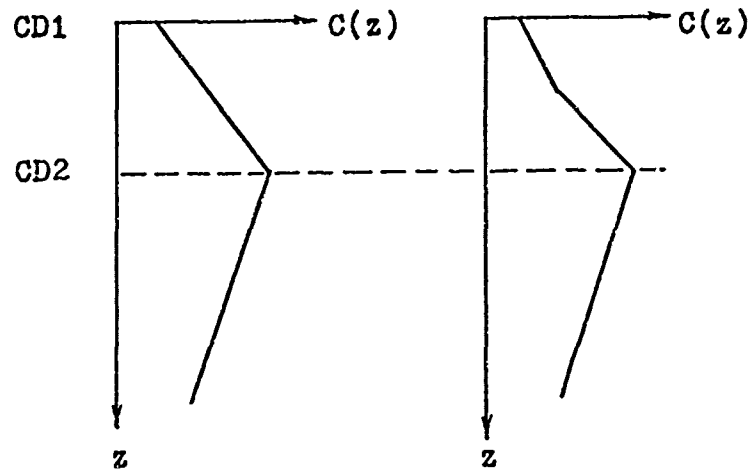
b. The source and receiver are both located within the sonic layer.

c. Sound remains trapped in the sonic layer. This trapping fails to occur at very low frequencies, where the wavelength has become too large to "fit" in the duct. Using a sound speed of 5170 ft/sec and a sound speed gradient of 0.017 sec^{-1} in the sonic layer, we have from Urick [2]

$$H_{\min} = 36.64 \lambda^{0.667},$$

for the minimum duct thickness (H_{\min}) in feet which will trap sound with wavelength λ in feet. Urick states that this expression does not represent a sharp cutoff. To reduce programming steps for the calculator, the H_{\min} equation was simplified to

$$H_{\min} = 32 \lambda^{0.7}.$$



CD1 = Surface
 CD2 = Sonic Layer Depth (SLD)

figure 9. Illustrations of Sonic Layer Depths (SLD).

Table III compares the frequencies and corresponding minimum duct thickness as determined by PEAPS, Urick, and ASRAP III correction tables.

2. Reliable Acoustic Path (RAP)

RAP conditions always exist except when the source and receiver are both located in a sonic layer.

3. Bottom Bounce Path (BBP)

Bottom Bounce Path always exists.

4. Convergence Zone Path (CZP)

CZP is computed if an SSP with a sound speed excess is present (Fig. 4).

5. Deep Sound Channel Path (DSCP)

The Deep Sound Channel Path exists when the source and receiver are both located in the deep sound channel and the sound speed profile can support CZ propagation.

B. INPUTS

The operator loads the TL/PD program and enters (from the TL/PD portion of the worksheet) (Fig. 5) source frequency (Hz), Figure of Merit (dB), System Sigma (dB), wave height (ft), and MGS bottom type. Although the figure of merit and system sigma are used only in the PD generator, they are entered at this time to simplify operator procedures.

The transmission loss sub-program uses the following values from the ray trace generator: a CZ indicator, the maximum and minimum CZ ranges where CZ conditions exist, the minimum bottom bounce angle, and the depths and speeds

TABLE III

Comparison of minimum duct thickness

<u>Frequency</u> (Hz)	<u>(ft)</u>	Minimum Duct Thickness - H_{\min} (ft)		
		<u>PEAPS</u>	<u>Urlick</u>	<u>ASRAPS III</u>
53	97.5	789.7	776.2	750
104	49.7	492.7	495.3	475
208	24.9	303.7	312.4	300
588	8.8	146.6	156.2	150
1080	4.8	95.9	104.3	100
3055	1.7	46.4	52.2	50

of sound at the critical points of the sound speed profile (sonic layer, deep sound channel axis, etc.)..

C. TRANSMISSION LOSS MODELS

The program looks at each path selected and determines transmission losses according to certain simple models.

Names used in this section are those used in the FORTRAN version of the PEAPS program (Appendix D).

1. Surface Duct Path (SDP)

Figure 10 illustrates SDP.

$$TL_{SDP} = 20\log(R) + AR + DFL*R \quad \text{for } R < RT, R < RS$$

$$TL_{SDP} = 10\log(R) + AR + DFL*R + 10\log(RT) \\ \text{for } RT < R < RS$$

$$TL_{SDP} = 10 \log(R) + AR + DFL*R + 10\log(RT) + SSL*R \\ \text{for } R > RS, R > RT$$

$$TL_{SDP} = 20\log(R) + AR + DFL*R + SSL*R \quad \text{for } RS < R < RT$$

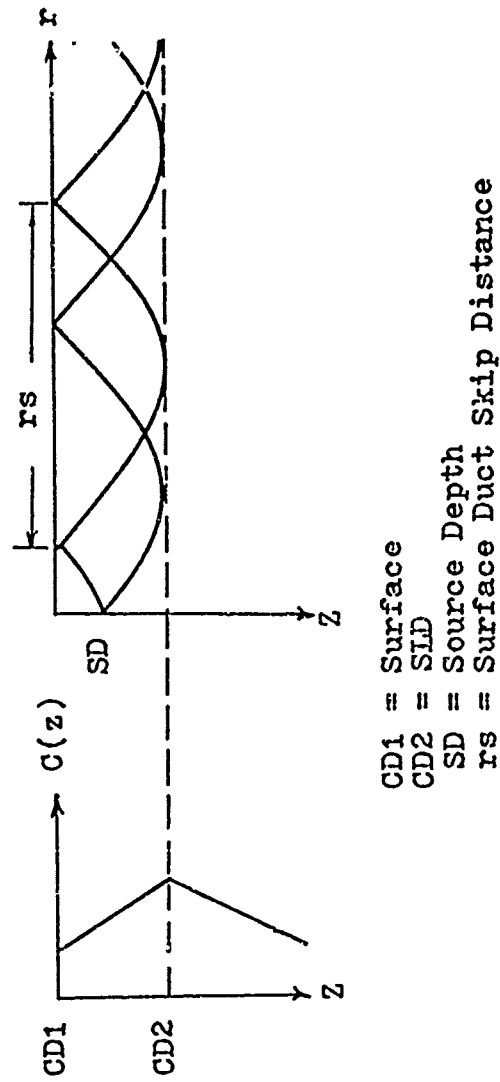
where R = the horizontal distance from the source to the receiver in yards

A = the absorption coefficient [3],

$$= \left[\frac{0.1F^2}{1+F^2} + \frac{40F^2}{4100+F^2} \right] * 10^{-3} \quad (\text{dB/yard}),$$

F = frequency in kilohertz (KHz);

figure 10. Surface Duct Path



DFL = diffractive leakage out of the duct based on Normal Mode Theory [4 and 5], given by

$$744F^{-1.66}G^{-0.33}(CD2)^{-3} * 10^{-3} \text{ (dB/yd), and}$$

G = the below-layer gradient = $\frac{CS3 - CS2}{CD3 - CD2}$;

CD2 = the sonic layer depth (ft);

CD3 = the depth below CD2 at which the next positive gradient begins or the bottom depth (ft);

CS2, CS3 = the sound speeds (ft/sec) which correspond to CD2 and CD3, respectively

RT = the transition range (the range at which the duct is considered full and cylindrical spreading begins)

$$\text{in yards [2]} = \frac{CD2}{6\arccos(SV/CS2)}$$

SV = the speed of sound at the source (ft/sec).

RS = the skip distance (the range between consecutive surface reflections of the deepest trapped ray)

$$\text{in yards [2]} = \frac{2\arccos(CS1/CS2)}{3(\text{RADINV})} \text{ (yd)}$$

RADINV = the inverse of the radius of curvature of a ray within the surface duct = GD/SD.

SD = the depth of the source of sound (ft).

GD = the effective gradient in the sonic layer

$$= \frac{CS2 - CS1}{CD2 - CD1}$$

SSL = sea surface loss = $\frac{0.8B^{0.71}}{RS}$ (dB/yd)

B = F*H

H = wave height (ft).

The expression for SSL was developed from a power regression analysis of data presented in Reference 6, and is valid for values of B between 0 and 30.

2. Reliable Acoustic Path (RAP)

From Fig. 11,

$$TL_{RAP} = 20\log(K) + A*K ,$$

where K is the slant range from the source below the layer to the surface at range R, in yards.

The maximum RAP range = $RL + RS/2$, where RL is the cutoff range, defined as the horizontal distance from the source to the point at which a ray just grazes the bottom of the sonic layer (or surface if no sonic layer exists), and RS is the skip distance (described previously in the surface duct model).

3. Bottom Bounce Path (BBP)

Four separate bottom-bounce paths are possible between the source and receiver: two with one surface reflection, one with two surface reflections, and one with no surface reflections (Fig. 12). Incoherent superposition of these rays at the receiver results in a 6 dB reduction in the transmission loss. For emission angles greater than about 15° , the radius of curvature of a ray is usually large enough to assume straight-line propagation of the rays from the source to the bottom and back to the surface. A ray from the source will strike the bottom at an angle of incidence estimated by

figure 11. Reliable Acoustic Path

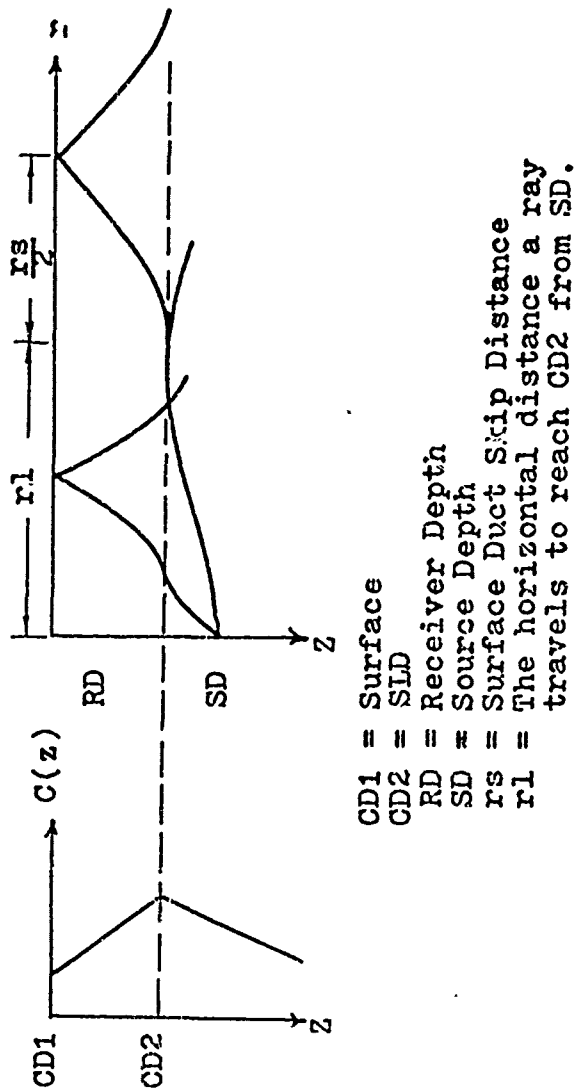
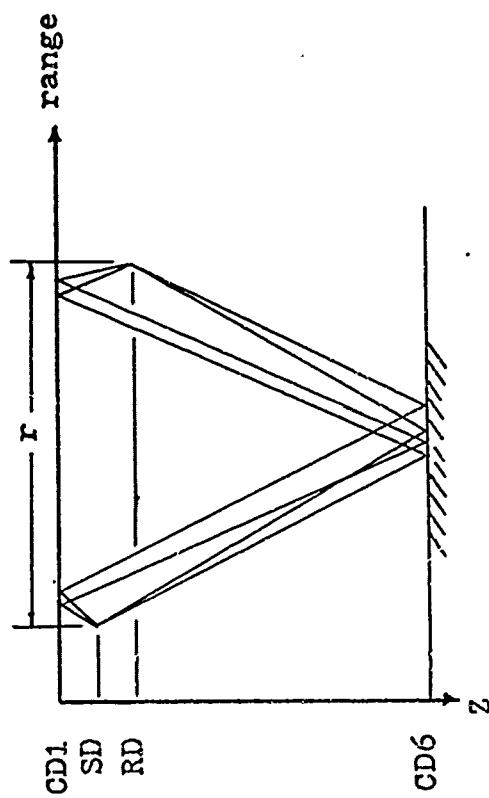


figure 12. Bottom Bounce Paths



CD1 = Surface
CD6 = Bottom Depth
SD = Source Depth
RD = Receiver Depth

$$\text{THBL} = \tan^{-1} \left[\frac{\text{CD6} - \text{SD}}{\text{XB}} \right]$$

where

$$\text{XB} = \frac{\text{R} (\text{CD6} - \text{SD})}{\text{N} (2\text{CD6} - \text{SD})} \text{ (yds)}$$

is the horizontal distance between the source and the range of the first bottom bounce, CD6 is the bottom depth (ft), and N is the number of bottom reflections.

The distance traveled by the four rays which strike the bottom once can all be approximated by

$$\frac{\text{R}}{\cos(\text{THBL})} \text{ (yds)}$$

for reasonably small source and receiver depths or large range. Therefore, an approximate transmission loss can be written as

$$\text{TL}_{\text{BB}} = 20 \log \left[\frac{\text{R}}{\cos(\text{THBL})} \right] + \frac{\text{A} * \text{R}}{\cos(\text{THBL})} + \text{N} * \text{BL} - 6$$

where the subtraction of 6 takes into account the 6 dB gain caused by multiple bottom bounce paths, and BL is a bottom loss term which was determined through regression analysis of bottom loss data presented in Reference 7. Specific values for BL are determined by a sorting routine which uses the input frequency and bottom type. THBL is the angle at which the ray strikes the bottom.

4. Convergence Zone Path (CZP)

See Fig. 4.

$$TL_{CZ} = 20\log(R) + A*R$$

when R is outside the CZ annulus and

$$TL_{CZ} = 20\log(R) + A*R - GCZ$$

when R is bounded by CZSTRT and CZSTOP. The CZ annulus is defined as the width of the zone, CZSTOP - CZSTRT, in yards. GCZ is the reduction in transmission loss caused by the increase in sound pressure level (SPL) which results from ray focusing within the ray family forming the CZ annulus.

$$GCZ = \frac{RP}{GB} \exp(-RP^2/2GB)$$

$$RP = \frac{RANGE}{0.18X} (GB)^{1/2}$$

$$GB = \frac{0.36}{GCZMAX^2} (yd^{-2})$$

$$RANGE = R - CZMIN \text{ (yds)}$$

$$X = CZ \text{ annular width (yds)}$$

$$GCZMAX = 15.4545 - 4.545 * 10^{-4} X \text{ (yds)}$$

The equations for GCZ and GCZMAX are empirical and were derived from analysis of numerous transmission loss curves obtained as output from the FACT model [5]. The analysis

established that the gain distribution within a convergence zone closely resembled a Rayleigh distribution and that the gain tended to a maximum at approximately 18% of the annular width. Thus, GCZ was modelled as a Rayleigh distribution with the peak occurring at a distance from CZSTRT equal to 18% of the annular width (Fig. 13).

5. Deep Sound Channel Path (DSCP)

See Fig. 14.

$$TL_{DSCP} = 10\log(R) + A*R + 10\log(RTP)$$

where RTP is the deep sound channel transition range,

$$RTP = \frac{CZMIN}{8} \left(\frac{D}{Z}\right)^{\frac{1}{2}}$$

D = CD3 - CD2 in feet,

CD3 = depth of the sound channel axis (ft),

Z = SD - CD2 (ft),

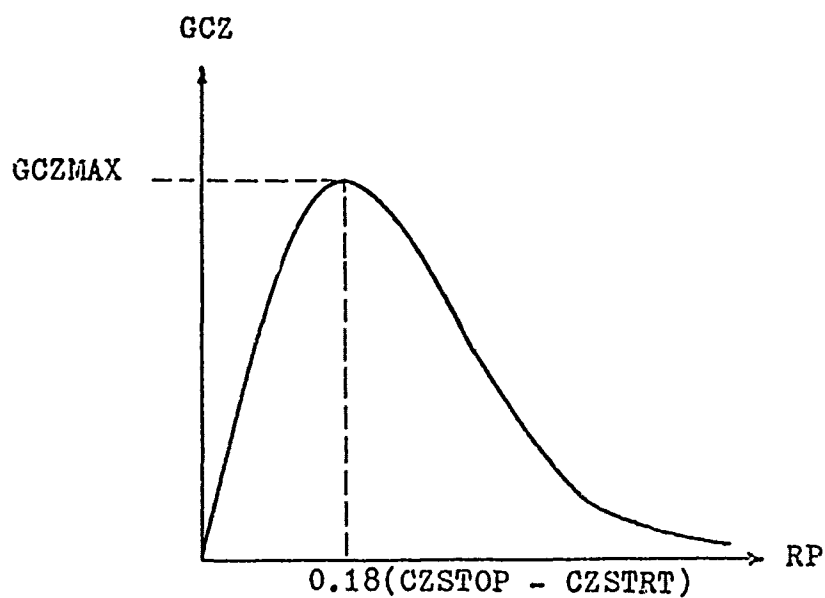
CZMIN is in yards.

The transmission loss term is valid only for $R > RTP$, although it is used for all R when this path is present.

D. COMBINED TRANSMISSION LOSS

Since transmission loss caused by bottom bounce is always present, the total transmission loss (STL) is initialized with TL_{BB} after each increment of range. Transmission loss for subsequent propagation paths meeting their respective

figure 13. Convergence Zone Gain Model



$$GCZMAX = 15.5 - (0.00045(CZSTOP - CZSTRT))$$

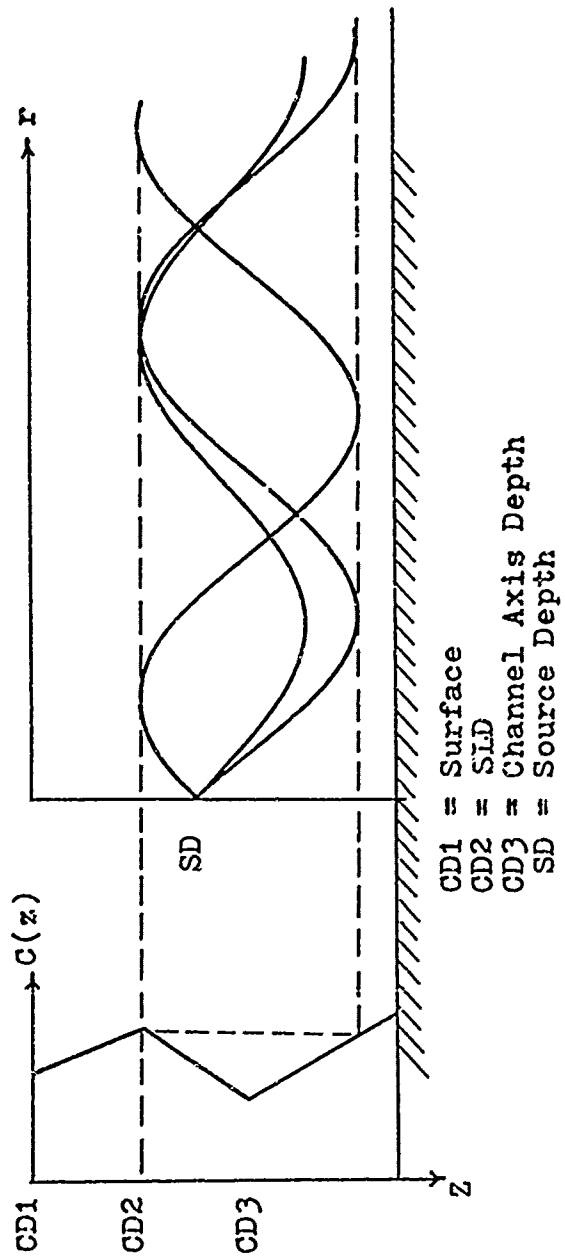
$$GB = 0.36 / GCZMAX^2$$

$$RANGE = r - CZSTRT$$

$$RP = \frac{(RANGE \times \sqrt{GB})}{(0.18(CZSTOP - CZSTRT))}$$

$$GCZ = \left(\frac{RP}{GB}\right) \exp\left(\frac{-RP^2}{2GB}\right)$$

figure 14. Deep Sound Channel Path



existence criteria are computed for the same range and combined with STL as follows: If \oplus signifies the combining of decibels (dB) for independent (phase incoherent) signals, then

$$\text{STL} \oplus \text{TL}(i) = \text{STL} - A$$

where $\text{TL}(i)$ is the transmission loss for the specific propagation path (CZ, SDP, DSC, RAP, as they exist).

$$A = 10 \log(1 + 10^{-0.1J})$$

$$J = |\text{STL} - \text{TL}(i)|.$$

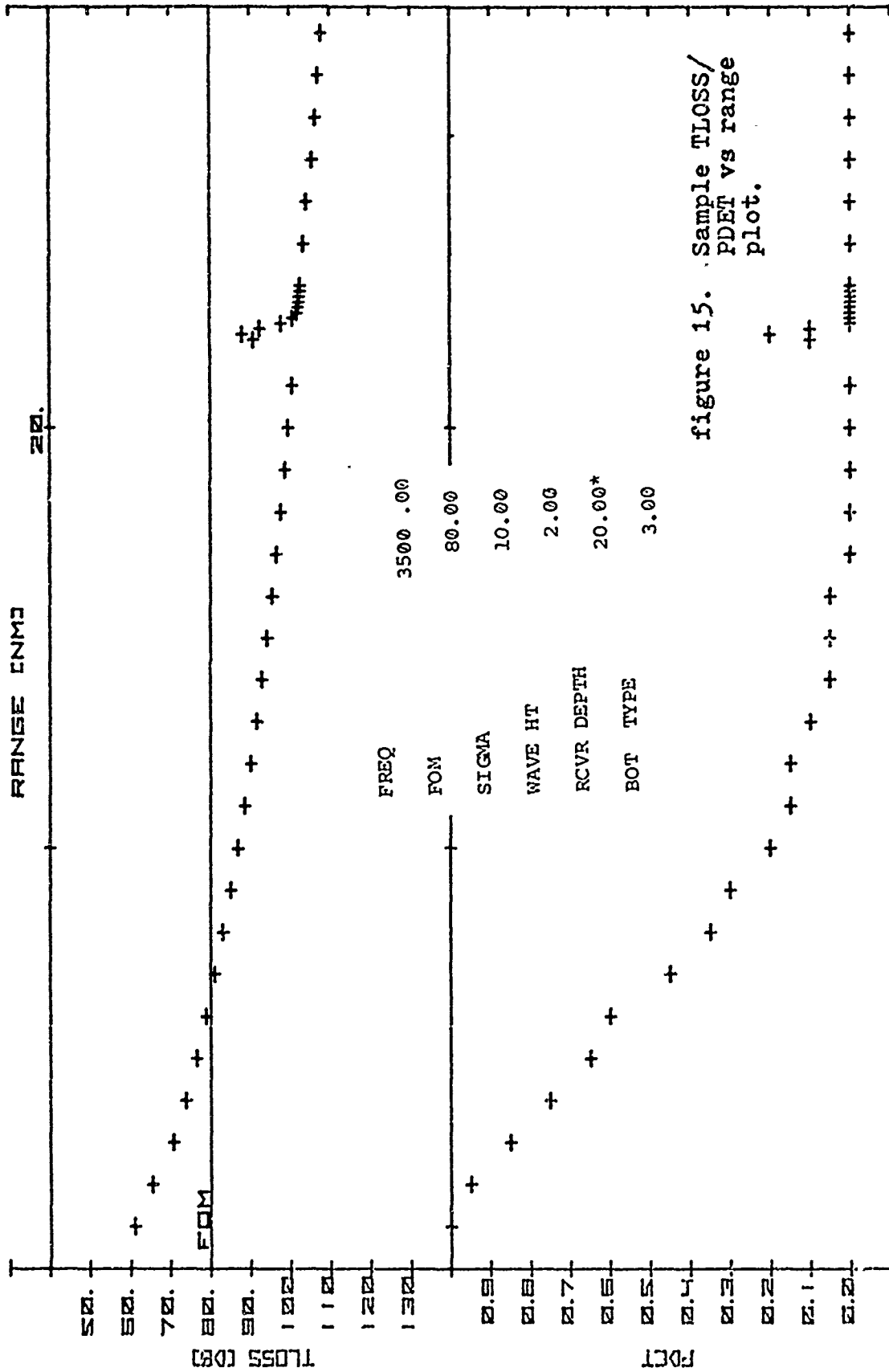
E. OUTPUT

The program plots the combined transmission loss (STL) in dB versus range in nautical miles (NM), with a reference line for the input figure of merit (Fig. 15).

F. SHORTCOMINGS OF THE MODELS

Since the models were developed for use in a relatively small programmable desk-top calculator, limitations in the available storage and the number of program steps have resulted in certain shortcomings:

1. Phase coherence is neglected.
2. Sea surface scattering is not taken into account in calculating TL for the convergence zone model.
3. If the source is in the sonic layer and the duct thickness is less than H_{\min} , propagation in the layer is neglected.



4. The use of straight-line propagation will induce some error in the angles computed for bottom bounce parameters and in the transmission loss computation.

5. Convergence zones are considered when any sound speed excess is present.

6. The convergence zone gain term, GCZ, is found from an empirical formula: there is no physical justification for the use of the Rayleigh distribution.

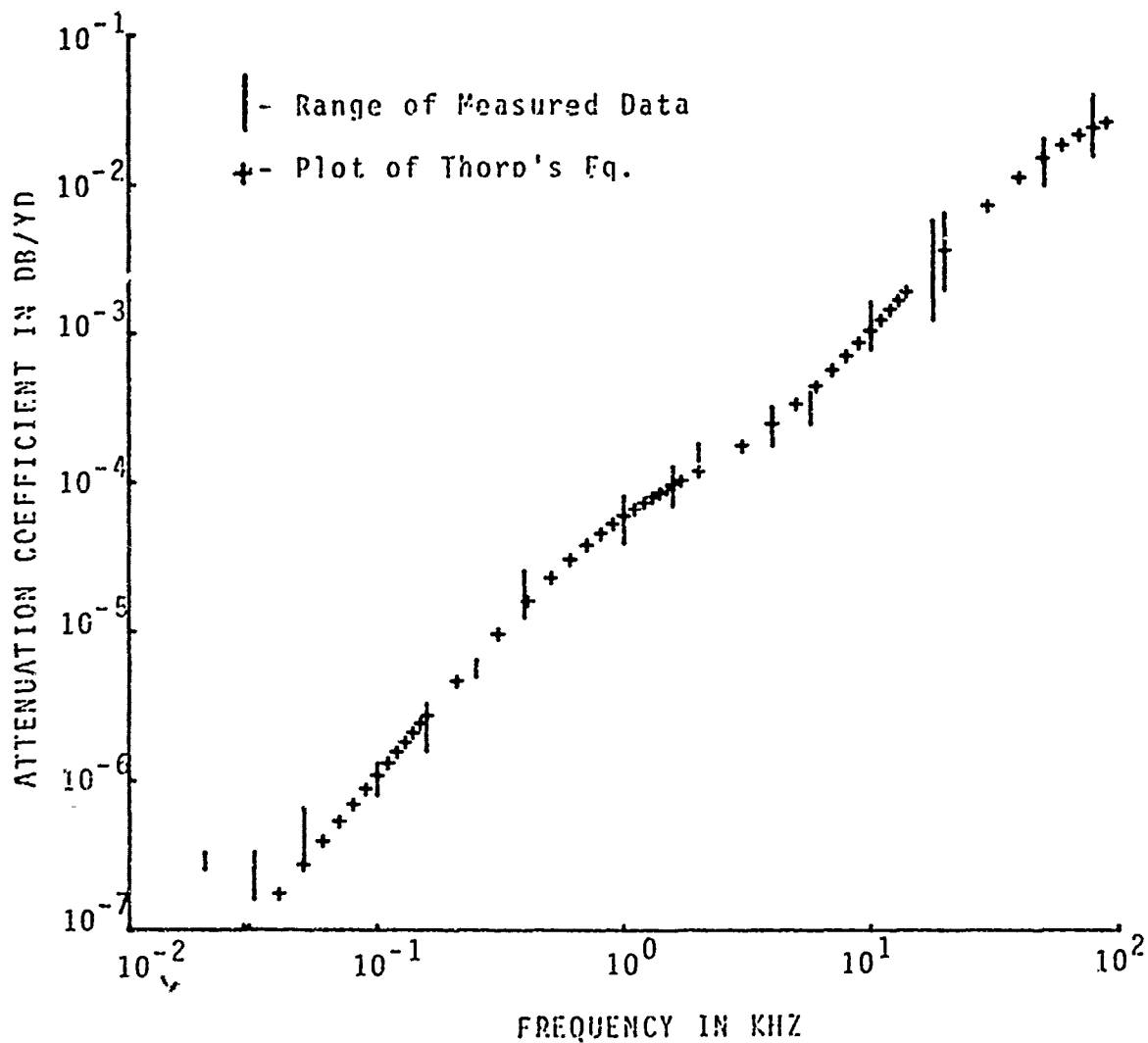
7. The model for the deep sound-channel overestimates transmission loss for ranges less than the (deep sound-channel) transition range.

8. For reliable acoustic path, steep-gradient curvature is not considered; transmission loss is computed for straight line distances between the source and receiver.

9. The absorption loss term uses Thorp's formula for all frequencies. As shown in Fig. 16, the formula is good for frequencies greater than 20 Hertz.

10. The diffraction loss term, DFL, is the same term used in FACT [5]. The following is a quote from Reference 5:

A preliminary analysis of this model (Jabianca, 1972) has shown that the leakage term does not correspond to the mechanism which dominates duct leakage and, in particular, has the wrong dependence on the below-layer (thermocline) gradient. An intensive investigation of all available surface duct models has been completed recently by NUC (Naval Undersea Center) for LRAPP (Long Range Acoustic Propagation Project) (Morris, 1974). This study compared several models with each other and the SUDS (Surface Duct Sonar) transmission loss data (Cummins, 1972). Since none of the candidate models emerged as clearly superior, AESD (Acoustic Environmental Support Detachment) is currently studying possible modifications to the surface-duct equations. [5]



Measured data taken from the North Atlantic (Thorp and Bernier, 1959 and 1962; Sussman, MacDonald, and Kanahis, 1963), Mediterranean (Lallement and Waterman, 1963; Leroy, 1964), and Northern Pacific (Greer and Polam, 1954; Sheehy and Halley, 1957) [3].

$$\text{Thorp's Eq.} \therefore \text{Attenuation} = \left[\frac{0.1F^2}{1+40F^2} + \frac{40F^2}{4100+F^2} \right] \times 10^{-3} \text{ dB/yd}$$

Figure 16

11. Convergence zone parameters are determined at the surface. Errors exist when source and/or receiver are at appreciable depths.

12. When CZ conditions are not present, the model assumes there is no deep sound channel.

13. Leakage of sound into a shadow zone is not considered. If there are no CZ conditions, then the only illumination of the shadow zone comes from bottom bounce. If CZ conditions exist the shadow zone is illuminated by a path having spherical spreading in addition to the bottom bounce illumination.

V. PROBABILITY OF DETECTION (PD) GENERATOR

A. INPUTS

The sub-program for probability of detection contains values from the cumulative distribution function (CDF) for a standardized normal random variable, $CDF = F(x)$. Values of x corresponding to $F(x) = 0.5, 0.55, \dots, 0.95$ are stored.

The figure of merit (FOM) and system sigma are entered by the operator as part of the transmission loss initialization procedure. System sigma is defined as the square root of the sum of the variances of the individual terms in the passive sonar equation:

$$\text{System sigma} = (\sigma_{SL}^2 + \sigma_{NL}^2 + \sigma_{DI}^2 + \sigma_{DT}^2 + \sigma_{TL}^2)^{\frac{1}{2}}$$

where σ is the deviation.

Rule-of-thumb values for system sigma are included in Operator Note 3 (Appendix C) for those cases in which variances of the individual term are unknown.

B. MODEL

The detection variable X is defined as the ratio of the signal excess,

$$SE \equiv FOM - TL ,$$

to the system sigma:

$$X \equiv \frac{SE}{\text{System Sigma}} .$$

The computed X is compared to the stored values of x to determine probability of detection at which $PD = F(X)$.

C. OUTPUT

The program plots a probability of detection (PD) versus range directly below the TL versus range plot (Fig. 15).

The PD routine computes PD in increments of 0.05 so that a smooth curve does not result.

VI. CONCLUDING REMARKS

Advanced development of an on-board environmental prediction system resulted in the Integrated Command ASW Prediction System (ICAPS) computer program. ICAPS uses the FACT transmission loss program so that it requires computer resources comparable to those available on aircraft carriers. This development effort is continuing with emphasis upon the development of a smaller version of FACT. A viable alternative would be an augmented version of PEAPS.

Fleet introduction of an environmental prediction system need not be delayed until a foolproof system is available. With PEAPS available, even in its present limited form, operational evaluation of an interim system with some known shortcomings is entirely feasible. A continuing dialogue, carried on between the developmental agency and the operating forces, would facilitate implementation of system improvements based upon fleet experience.

The operating forces have never had a tactical environmental prediction capability available at the individual platform level. PEAPS provides an inexpensive way to evaluate the operational utility of such a system.

APPENDIX A

PEAPS HARDWARE DESCRIPTION

For this program the Hewlett-Packard Model 9810A calculator must be configured with the following options:

Option 001: Total of 111 data-storage registers;

Option 003: Total of 2036 program steps;

Option 004: Printer.

Read-only-memory units (ROM's) required are:

Mathematics ROM - hp - 11210A

Printer Alpha ROM - hp - 11211A

Plotter ROM - hp - 11215A.

The Hewlett-Packard Model 9862A Plotter is required to produce the graphical output.

APPENDIX B

The following pages are samples of the Operator Worksheet developed for use with the PEAPS program.

PEAPS OPERATOR WORKSHEET

(See PEAPS Operator Note Sheets)

BT Information DTG: _____ Z _____

Location: _____ N/S _____, _____ E/W _____

1. Turn the calculator and plotter on. "LOAD" the SSP/Ray trace program cards. Put the plotting paper on the plotter and set the "GRAPH LIMITS" of the plotter.
2. Press "STOP, END, CONTINUE" (this sequence is used when a new SSP is to be generated).

Note 1: If you enter an erroneous value:

- a. If you have not pressed "CONTINUE", press "CLR X", then enter the correct value.
- b. If you have pressed "CONTINUE", you must re-enter all the points again; press "GO TO, LABEL, A", then continue with Step 3 below.

3. Press "CONTINUE".

4. SSP inputs: ENTER number of BT points (15 maximum) _____
Press "CONTINUE" after each value is entered to advance the program:

Point	Input Depth (ft)	Input Temp (°F)	Input Salinity (ppt)	Output Speed of Sound (ft/sec)
1	0.0	_____	_____	_____
2	_____	_____	_____	_____
.
.
.
10	_____	_____	_____	_____

15	_____	_____	_____	_____

Note 2: Change the plotting paper on the plotter. Enter the ray trace program MODE indicator.

MODE: _____ \emptyset = Automatic compute and plot
 1 = Automatic compute, no plot
 2 = Manual inputs for plotting, Automatic compute.

If a ray trace input error is made, press "GOTO, LABEL, B, CONTINUE", then input the MODE indicator and ray trace data again. (This sequence is used to generate a new trace using the old SSP data)

Press "CONTINUE"

4. Ray trace inputs:
Press "CONTINUE" after each input to advance the program.

Source Depth: _____ (ft)

If Mode 2 is used:

Minimum Ray Angle x 2: _____ (degrees)

Angle Increment x 2: _____ (degrees)

Maximum Ray Angle x 2: _____ (degrees)

Note 3: If, while in Mode \emptyset and after the bottom limiting ray has been drawn, a channelled ray is drawn to the plot's range limit; see Operator Note sheet section Note 2E.

Change the plotting paper on the plotter. Press "STOP, END". LOAD the TLOSS/PD program cards. Press "STOP, END". (The "STOP, END" sequence is used when a TLOSS/PD input error is made, or a new TLOSS/PD plot is to be generated based on the old SSP/Ray trace data.)

5. TLOSS/PD inputs:
Press "CONTINUE" after each input to advance the program.

Press "CONTINUE"

Source Frequency: _____ (Hz)

Figure of Merit (FOM): _____ (dB)

System Sigma: _____ (use 10 if unknown)

Wave Height: \emptyset 1 2 3 4 5 6 7 8 9 10 11 12 (ft)

Receiver Depth: _____ (ft)

Bottom Type: 1 2 3 4 5 6 7 8 9

Note 4: If a new ray trace is to be generated using the old SVP data after the TLOSS/PD program has been run, Press "STOP, END". LOAD the SVP/Ray trace program cards.

Press "GOTO, LABEL, B, CONTINUE", then see Note 2 above.

APPENDIX C

PEAPS OPERATOR NOTE SHEETS FOR THE HP9810A

SSP/RAY TRACE PROGRAM

The SSP/RAY Trace program is recorded on two short magnetic cards, each card having two sides. The program is inserted into the calculator as follows (it is assumed the calculator is turned on and paper has been placed on the plotter).

1. Press: END, LOAD.
2. Insert the cards starting with side 1 sequentially through side 4.
3. Press: END, CONTINUE.

After the SSP axes have been drawn the printer will indicate "SEE NOTE 1", referring the operator to Note 1.

Note 1

A. The sound speed profile (SSP) generator will accept up to fifteen (15) points. These points are entered from the PEAPS Computer Operation Worksheet starting with the first point being the surface (depth = 0) temperature and salinity. The data are entered as follows:

1. Press: CONTINUE

The printer will request "NO. PTS". Enter the number of BT points to be entered as indicated on the worksheet.

2. Press: CONTINUE.

The printer will request DEPTH. Enter the depth in feet of the point for which data are being entered (enter 0 for point 1).

3. Press: CONTINUE.

The printer will print the depth entered and request TEMP. Enter the temperature in °F for the point of interest.

4. Press: CONTINUE.

The printer will print the temperature entered and request SALIN. Enter the salinity in parts per thousand for the point of interest.

5. Press: CONTINUE.

The printer will indicate the salinity entered and the speed of sound in feet per second corresponding to the depth, temperature, and salinity values immediately preceding the sound speed value. The plotter will plot the speed of sound indicated on the printer at the corresponding depth. If the data entered are from a point less than the total number of points to be entered, the printer will indicate DEPTH. Enter the depth of the next point of interest and continue from step 3 above. If the data entered is for the last point, the program will discontinue plotting and the printer will indicate "SEE NOTE 2". This refers to Operator Note 2 below.

B. If the BT trace does not reach the bottom:

1. Use at least two points from historical data and enter these as the last two points. The more points entered, the more accurate the plot if the bottom is considerably deeper than the BT trace depth. See Section G below for merging data.

2. If historical data are not available, enter the last BT temperature as the bottom temperature, the bottom depth as measured or approximated, and 35 ppt as salinity.

C. If salinity values are not available from measurements or historical data, enter 35 ppt.

D. If you enter an erroneous value:

1. If you have not pressed CONTINUE, press "CLR X", then enter the correct value.

2. If you have pressed CONTINUE, you must reenter all the points again; press "GO TO, LABEL, A", then continue from step 2 in Section A above.

E. If you have finished with one sound speed profile and want to enter a new one, press "END", then go to step 1 in Section A above.

F. Pressing "CONTINUE" after each input advances the program and enters the input point into storage.

G. If the in-situ and historical data do not match closely together, merging becomes necessary. There is no single correct method for merging historical and in-situ data. Suggested procedures are to fare (draw a smooth curve) the two profiles together, to extrapolate the in-situ trace

down to the historical data, or to extend the profiles in the area of interest until they meet. Fig. 17a shows a plot of in-situ SSP and historical data on the same axis. It is suggested that this be done for all SSP plots if historical data are available. A trace of the historical data need not start at the surface. A depth 500 feet above the last BT depth should suffice. Figures 17b and 17c show examples of extending the two traces to achieve a merge. In any event, a smooth blending of the traces should be attempted. In some instances it may be necessary to try more than one technique in order to achieve a reasonably correct facsimile of the sound speed structure.

Note 2

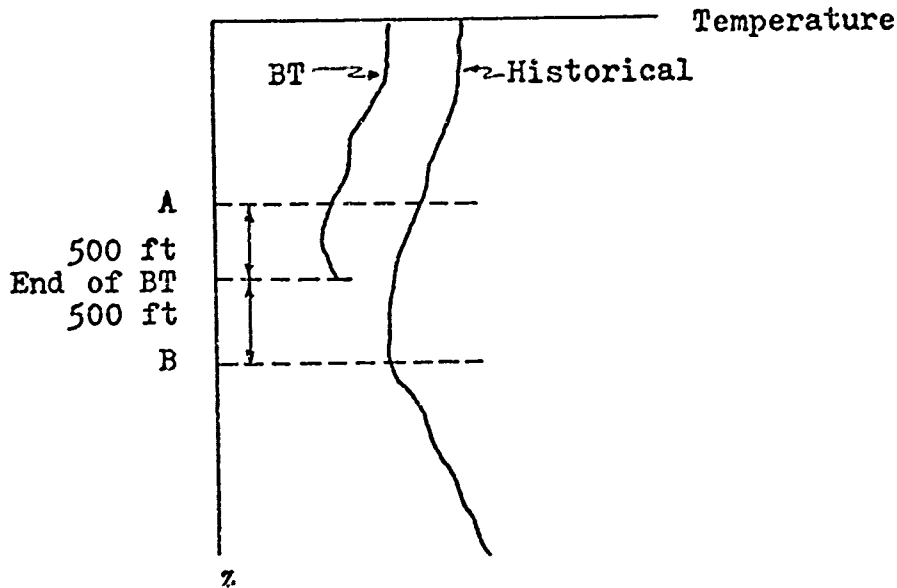
This Note deals with procedures for the ray trace generator.

- A. Change the plotting paper.
- B. Enter the ray trace program Mode indicator (0, 1, or 2).

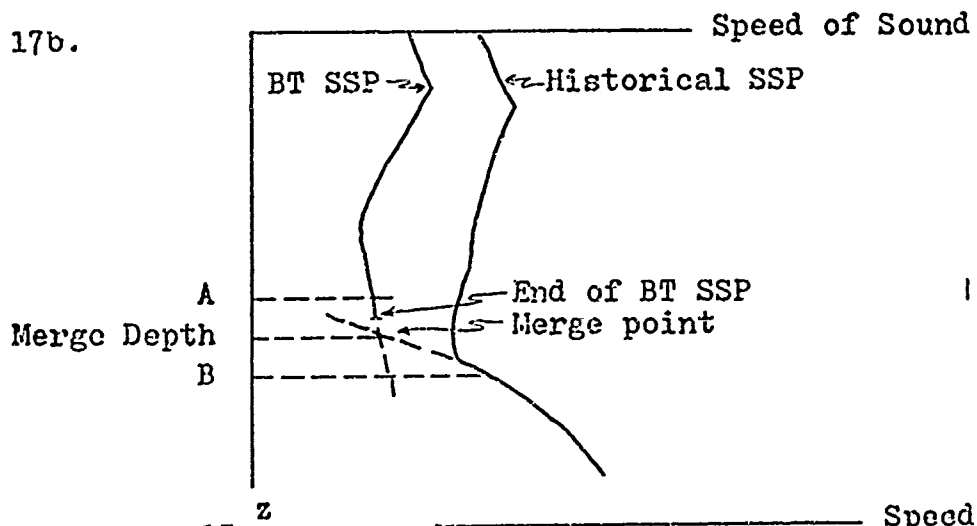
Mode 0 gives an automatic search for and plotting of convergence zone critical rays. The minimum source emission angle that will produce a bottom bounce, and the minimum (inside) and maximum (outside) convergence zone annulus ranges (if CZ is present) are stored.

Mode 1 gives the same computation as Mode 0 except that the ray traces are not plotted.

17a.



17b.



17c.

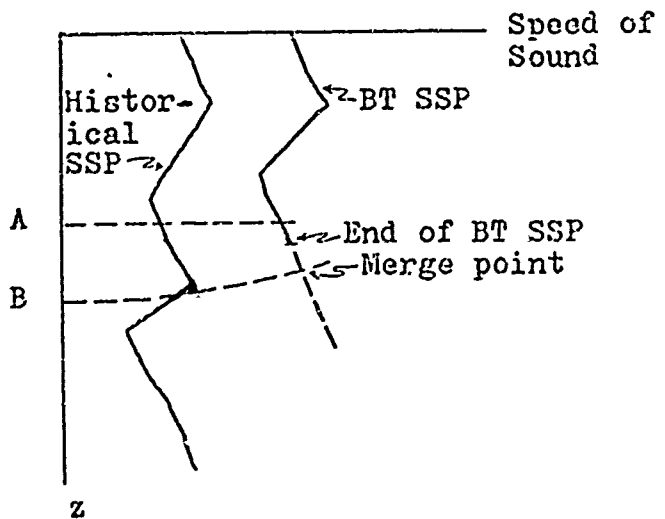


figure 17. Illustration of Merging techniques for Speed of Sound Profiles.

Mode 2: the operator enters twice the minimum and maximum emission angles to be traced from the source along with twice the incremental angle between. Doubling the desired angles and angle increment is necessary since the program internally halves all input angles prior to conversion to radians and storing. When the manual input plotting is completed, the program changes to Mode 1 to determine the critical parameters to be used by follow-on programs.

C. Program Mode 0 is intended to be the primary Mode for fleet use. Mode 1 is intended for use when a ray trace is not desired. Mode 2 is intended to be used for ray trace plots of specific source emission angles as well as for determination of critical parameters for follow-on programs - it is foreseen as a training aid.

D. If you have made an incorrect input and entered it with the CONTINUE, press: GO TO, LABEL, B, CONTINUE. Re-enter the ray trace input parameters starting with the Mode indicator.

E. It is possible, under certain sound velocity profile conditions, for the ray trace program in the automatic modes to trace a ducted ray to the end of the plot while searching for the convergence zone critical ranges. If this situation should occur you must check the stored convergence zone ranges as follows:

1. Press: X+(), 008, 4, 2000, ÷.

This calls out the minimum convergence zone range and converts it from yards to nautical miles.

2. Compare the value in the Y-register with the minimum convergence zone range indicated on the ray trace plot. If they differ considerably,

a. Enter the minimum convergence zone range from the ray trace plot;

b. Press: †, 2000, x (multiply), Y+(), 008.

This converts the ray trace plot minimum CZ range from nautical miles to yards and stores it in the appropriate storage register.

3. Press X+(), 009, †, 2000, ÷.

This calls out the maximum CZ range and converts it to nautical miles.

4. Compare the value in the Y-register with the maximum CZ range off the ray trace plot. If they differ considerably;

a. Enter the maximum CZ range from the ray trace plot.

b. Press: †, 2000, X (multiply), Y+(), 009.

This converts the ray trace plot maximum CZ range from nautical miles to yards and stores it in the appropriate storage register.

5. Proceed with the transmission loss/probability of detection program.

F. If you want to do another ray trace and plot using the same sound speed profile but different input parameters:

1. Press: GO TO, LABEL, B, CONTINUE.
2. Enter the new ray trace inputs starting with the Mode indicator.

G. "SEE NOTE 3" and "END" will be printed on the output tape and the calculator's X, Y, and Z registers will illuminate when the ray trace portion of the program is completed.

H. "NO CZ", "SEE NOTE 3", and "END" will be printed on the output tape to indicate that the program has ended and there is no convergence zone present.

I. If "NO CZ", "SEE NOTE 3", and "END" is printed out and you would like a ray trace plot, you will have to use Mode 2 and manual emission angle parameters to get a plot (see E above). At the end of the Mode 2 plots "NO CZ", "SEE NOTE 3", and "END" will be printed on the output tape.

J. If another sound velocity profile is to be entered for subsequent ray trace plots, press: END, CONTINUE, to start the entire sequence again.

TRANSMISSION LOSS/PROBABILITY OF DETECTION PROGRAM

Note 3

- A. Change the plotting paper.
- B. The TL/PD magnetic cards are loaded in the same manner as the SSP/Ray Trace cards.
- C. Press: STOP, END to initialize the program function. This sequence is used when a TLOSS/PD entering error is made, or a new TLOSS/PD plot is to be generated based on the same SSP/Ray Trace generated data.
- D. Source frequency is to be entered in Hertz (Hz).
- E. Figure of Merit: ensure that you use all the same units of reference (μPa , or μb). DO NOT add 100 to the computed FOM.
- F. System Sigma
If the variances of the sonar equation terms are known, enter the square root of the sum of the variances. If the variances are unknown, choose one of the following:
 1. Use 6 dB if ambient noise measurements have been made, and submarine speed and type are known.
 2. Use 8 dB if ambient noise is estimated from a forecast, submarine speed is known to within 3 kts, and submarine type is known.
 3. Use 10 dB if ambient noise is estimated from forecasts and submarine speed and type are uncertain.

G. Wave Height (IWH)

<u>Sea State</u>	<u>Term</u>	<u>Height of Wave (ft)</u>
1	Calm	0 to 1
2	Wavelets	1 to 2
3	Slight	2 to 4
4	Moderate	4 to 8
5	Rough	8 to 13
6	Very rough	13 to 20
7	High	20 to 30
8	Very high	30 to 45
9	Phenomenal	over 45

H. A bottom type indicator (MGS) of 1 indicates little sound loss; a bottom type indicator of 9 indicates a large sound loss.

I. If new TLOSS/PD data is to be entered to make additional plots from the same ray trace data, press STOP, END. Change the plotting paper, then press CONTINUE. Then enter the new data.

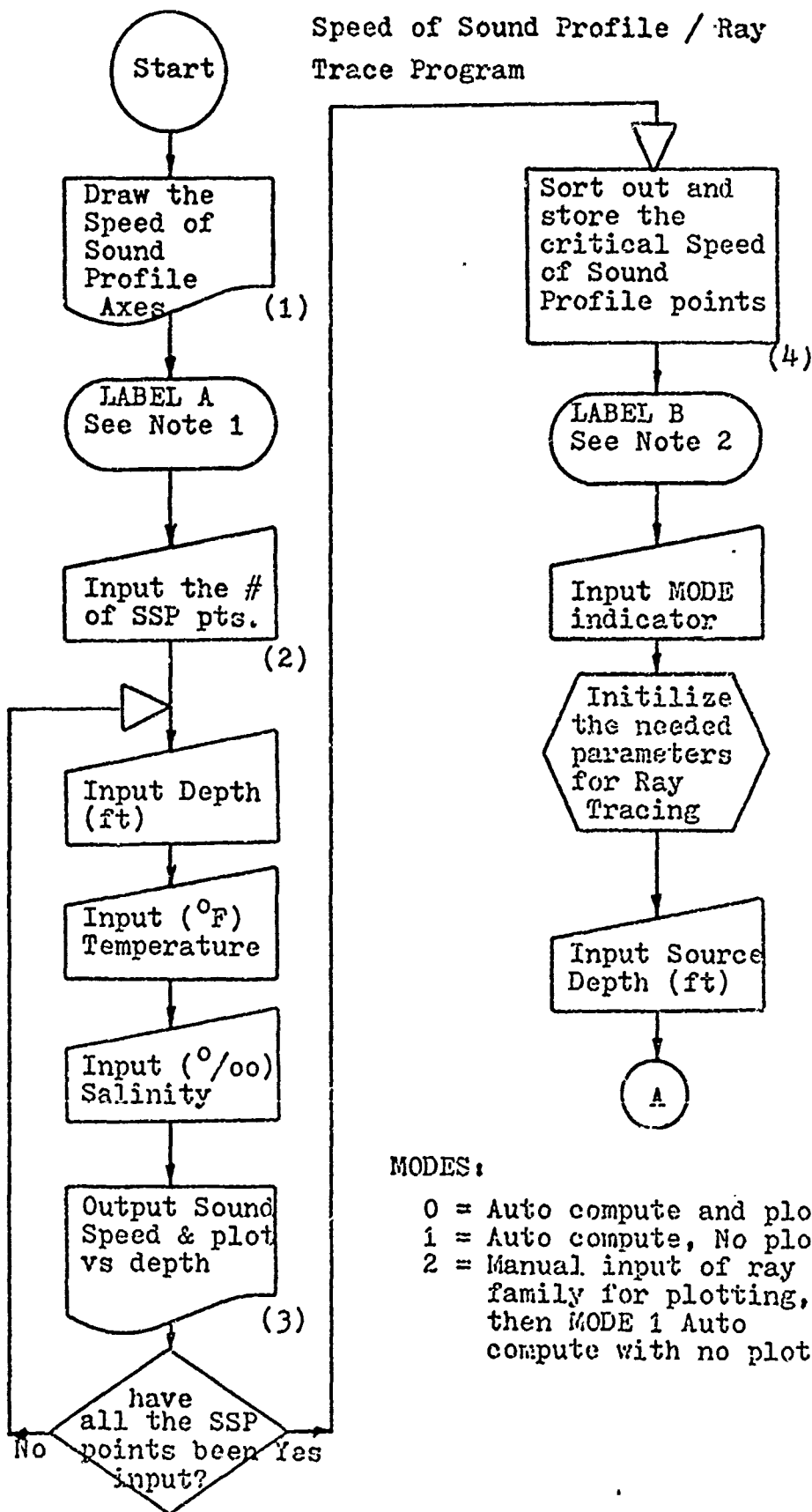
J. If a new ray trace is to be generated from the old SSP information after the transmission loss/probability of detection program has been run: press: STOP, END, LOAD. Load the SSP/Ray Trace program using the magnetic cards, change the plotting paper, press: GO TO, LABEL, B, CONTINUE, then follow the instructions in Note 2.

APPENDIX D

Flow charts, program listings, and output from the HP9810A and IBM 360 are included within this Appendix.

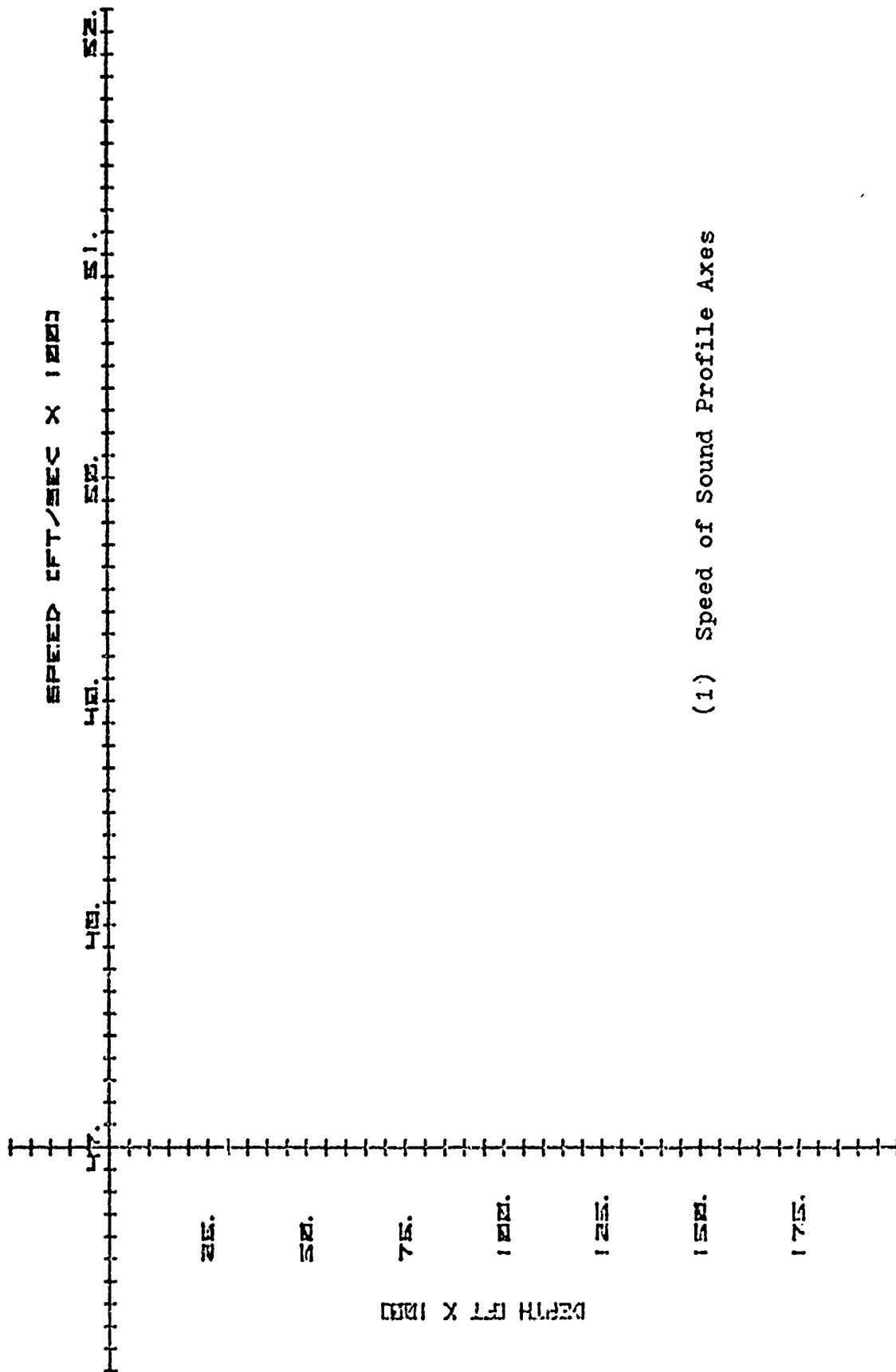
Speed of Sound Profile / Ray Trace Program
flow charts and sample outputs

Speed of Sound Profile / Ray Trace Program



MODES:

- 0 = Auto compute and plot
- 1 = Auto compute, No plot
- 2 = Manual input of ray family for plotting, then MODE 1 Auto compute with no plot



(1) Speed of Sound Profile Axes

SSP
SEE NOTE 1

(2) Sample Speed of Sound
Profile program input /
printer output

HR FTS

DEPTH 15.00*
TEMP 0.00*
SALIN 58.60*
SPD 35.00*
4941.70

DEPTH 400.00*
TEMP 50.50*
SALIN 35.00*
SPD 4898.36

DEPTH 1100.00*
TEMP 45.80*
SALIN 35.00*
SPD 4877.91

DEPTH 120.00*
TEMP 58.60*
SALIN 35.00*
SPD 4943.64

DEPTH 650.00*
TEMP 47.90*
SALIN 35.00*
SPD 4835.12

DEPTH 1300.00*
TEMP 45.00*
SALIN 35.00*
SPD 4875.51

DEPTH 175.00*
TEMP 57.00*
SALIN 35.00*
SPD 4935.15

DEPTH 870.00*
TEMP 47.30*
SALIN 35.00*
SPD 4884.56

DEPTH 1380.00*
TEMP 44.50*
SALIN 35.00*
SPD 4873.26

DEPTH 200.00*
TEMP 56.00*
SALIN 35.00*
SPD 4929.50

DEPTH 900.00*
TEMP 47.70*
SALIN 35.00*
SPD 4887.76

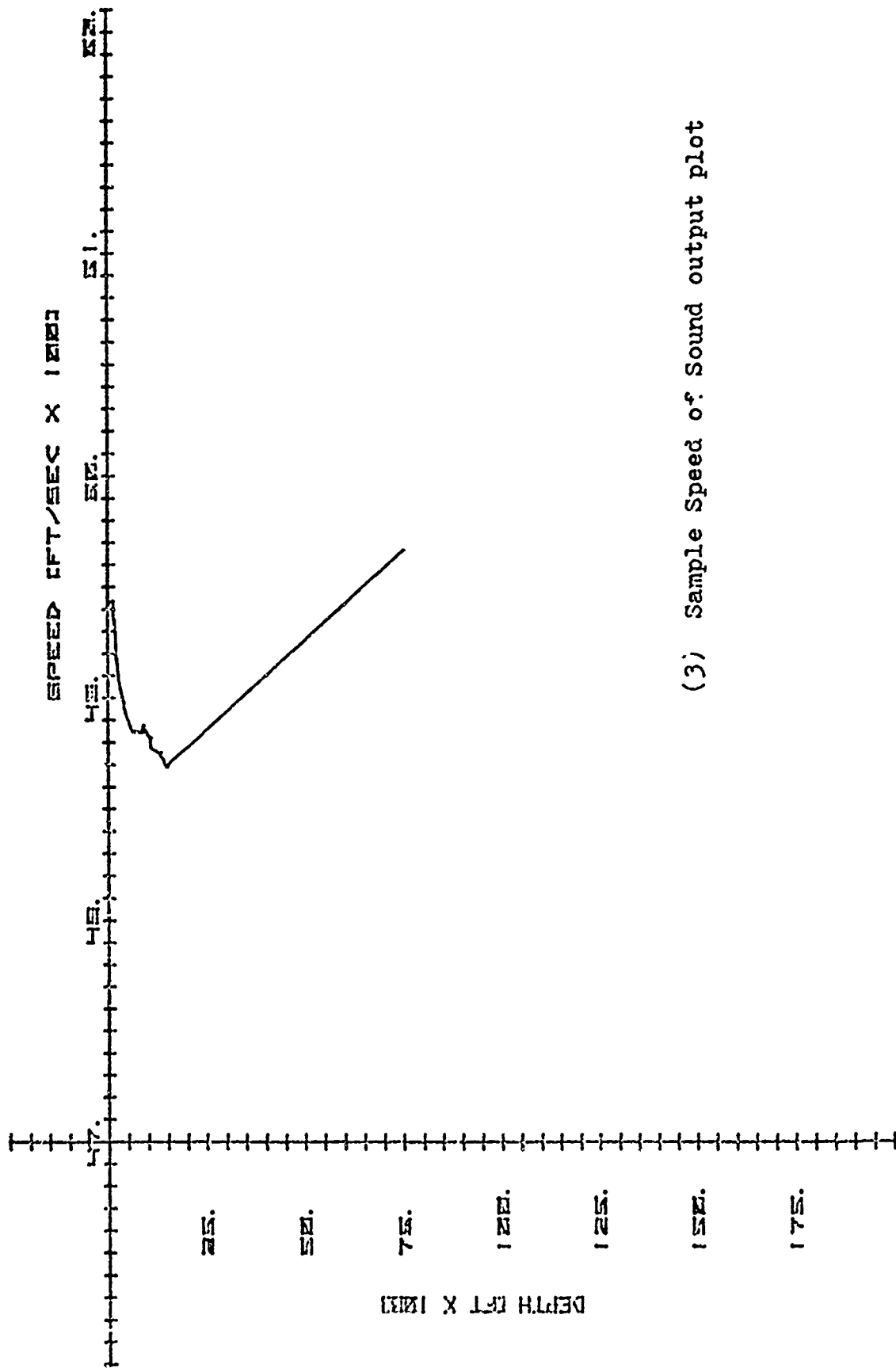
DEPTH 1500.00*
TEMP 43.70*
SALIN 35.00*
SPD 4869.49

DEPTH 225.00*
TEMP 54.00*
SALIN 35.00*
SPD 4917.78

DEPTH 1075.00*
TEMP 46.50*
SALIN 35.00*
SPD 4882.76

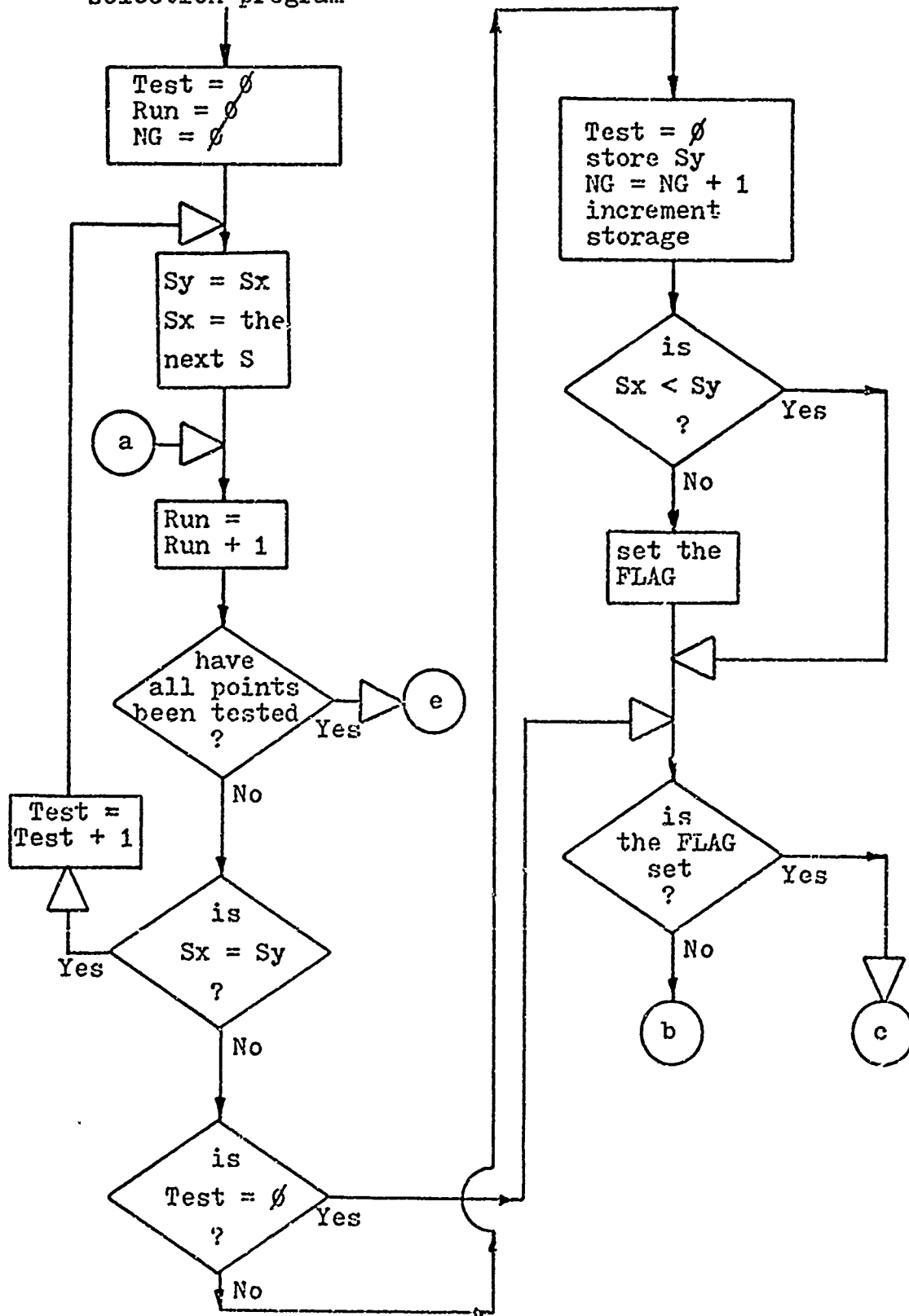
DEPTH 7500.00*
TEMP 43.70*
SALIN 35.00*
SPD 4906.70

SEE NOTE 2

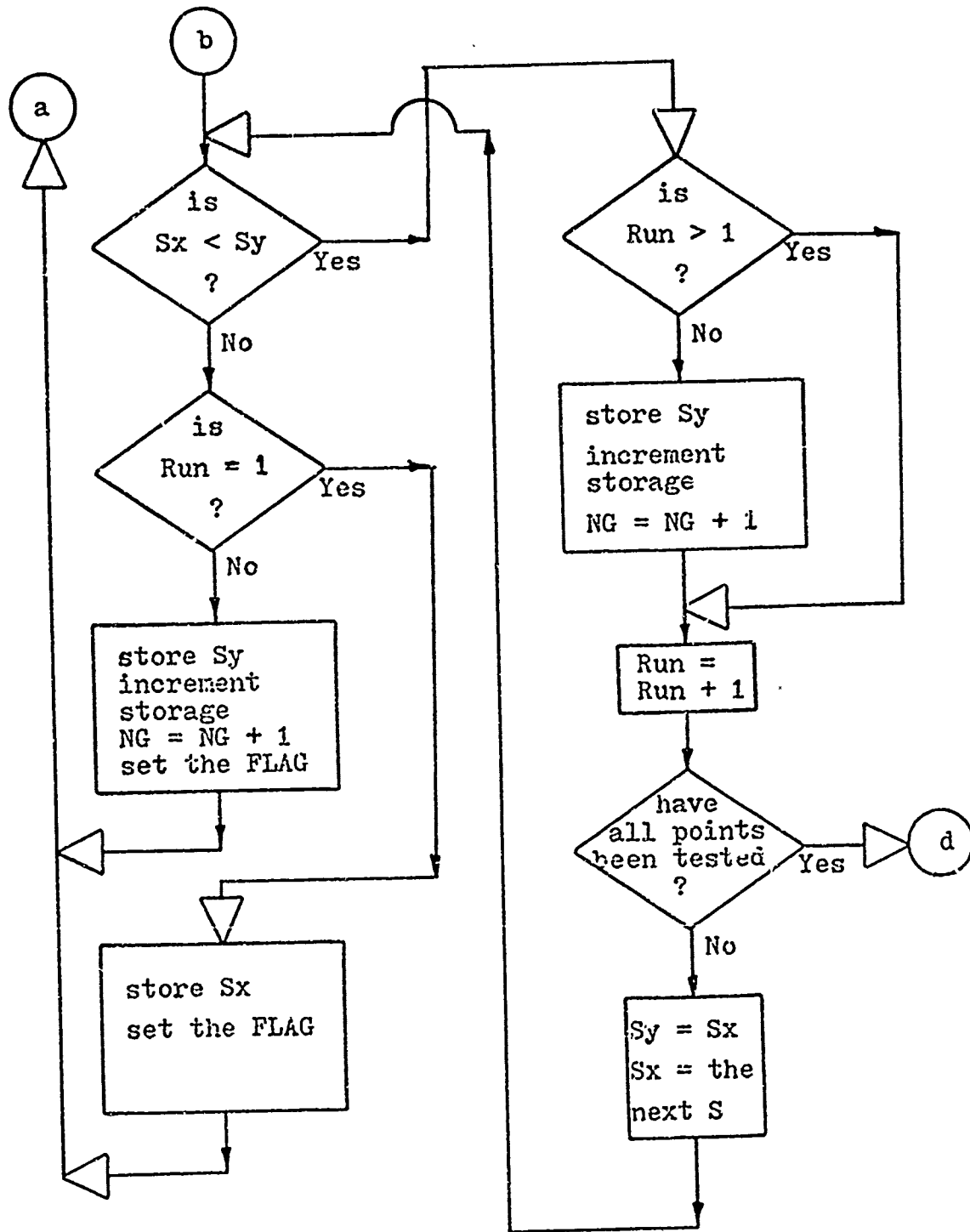


(3) Sample Speed of Sound output plot

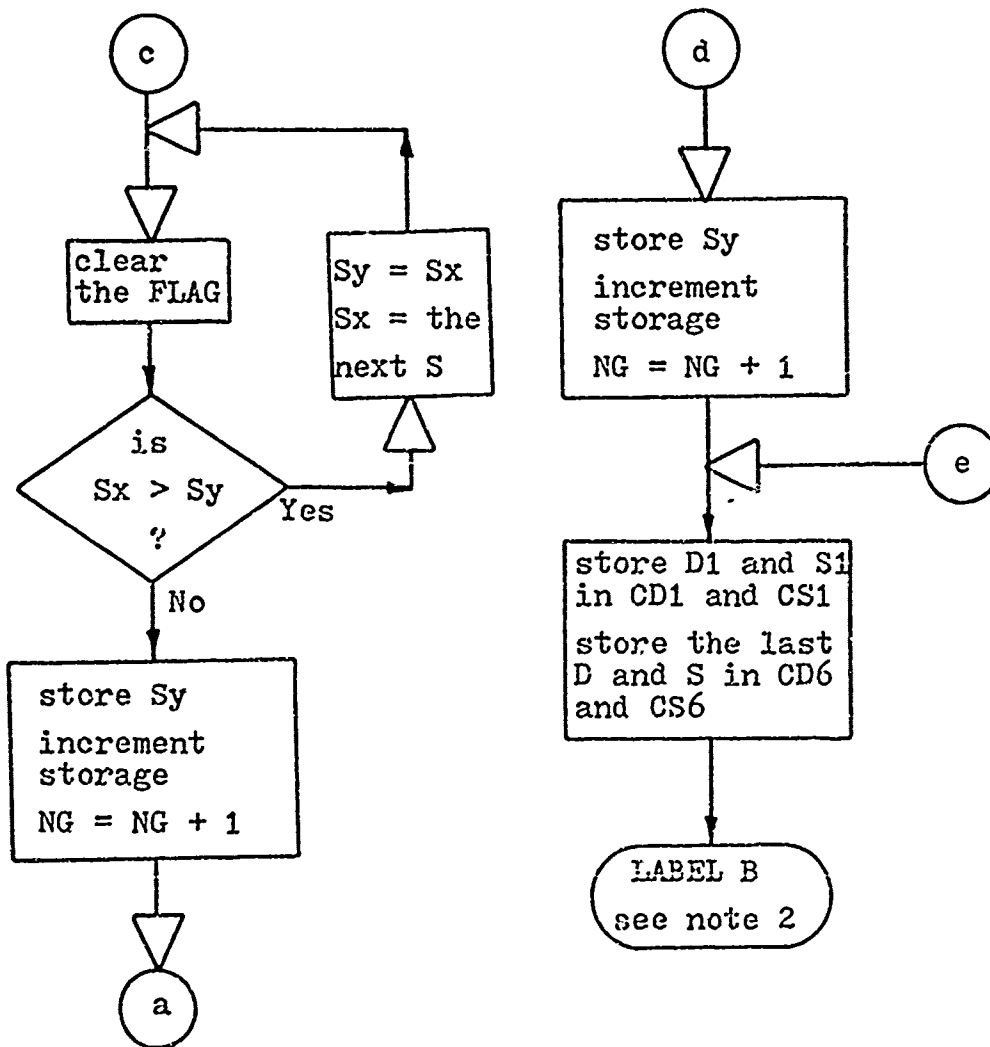
(4) SSP critical points selection program

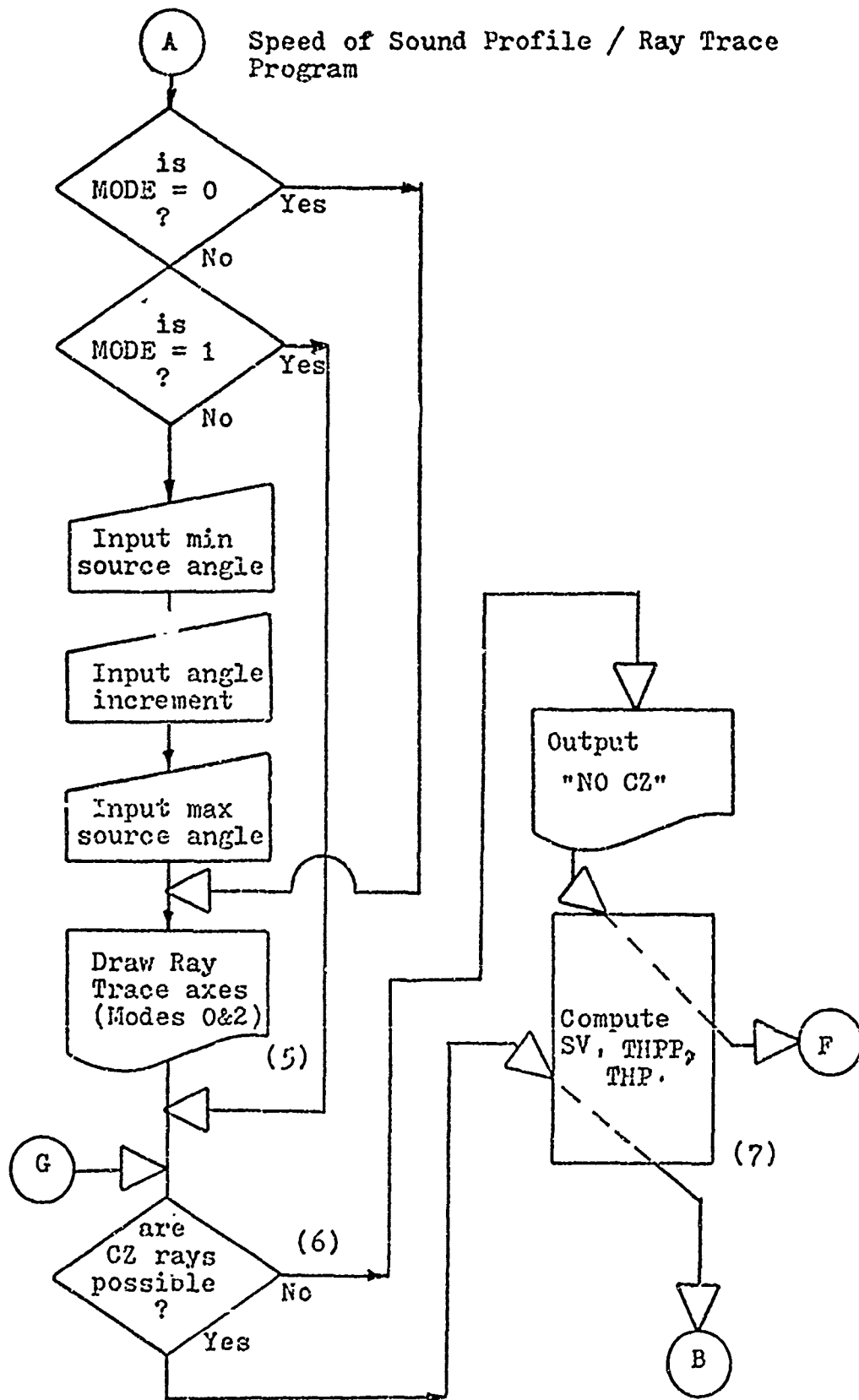


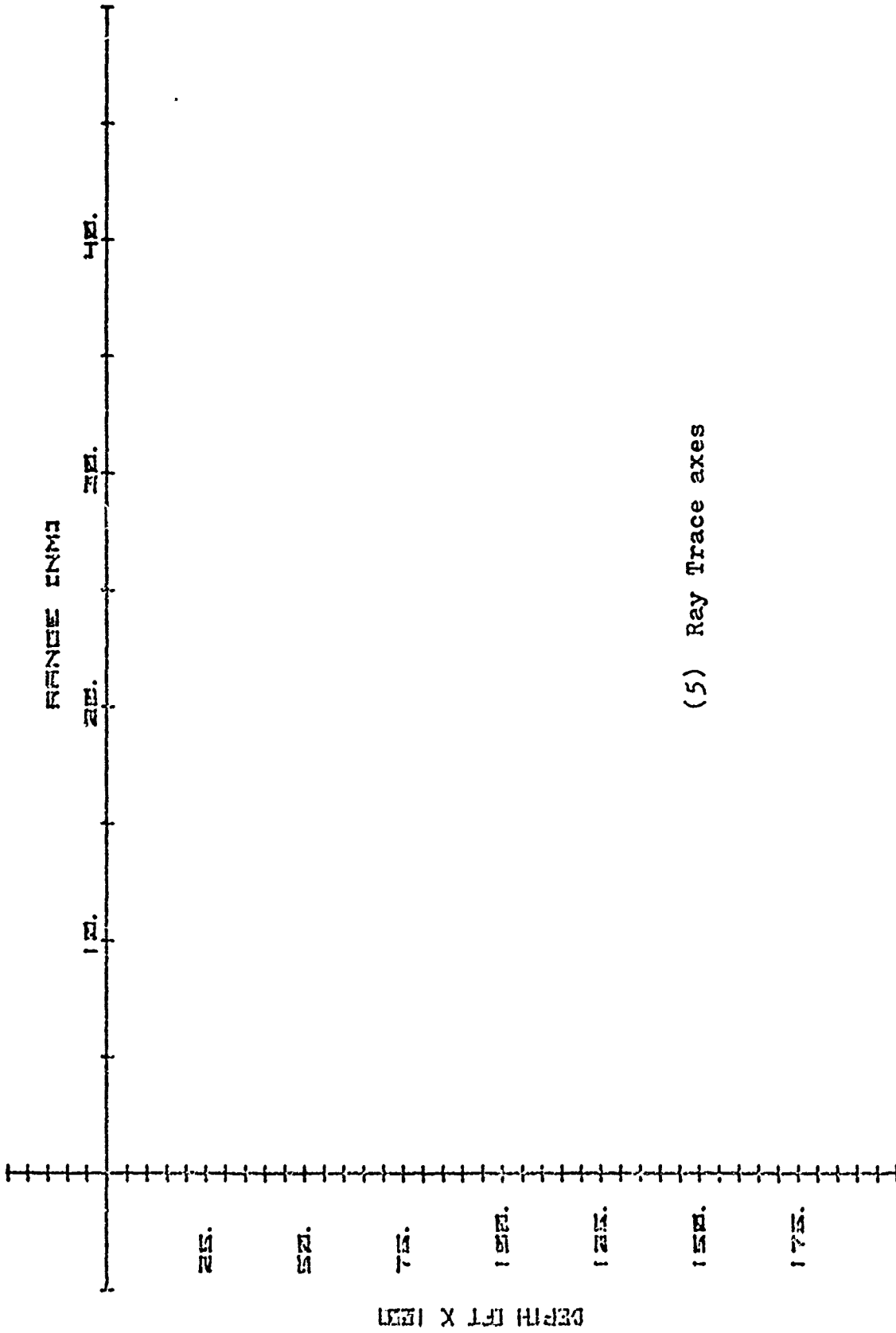
(4) SSP critical points selection program



(4) SSP critical points selection program

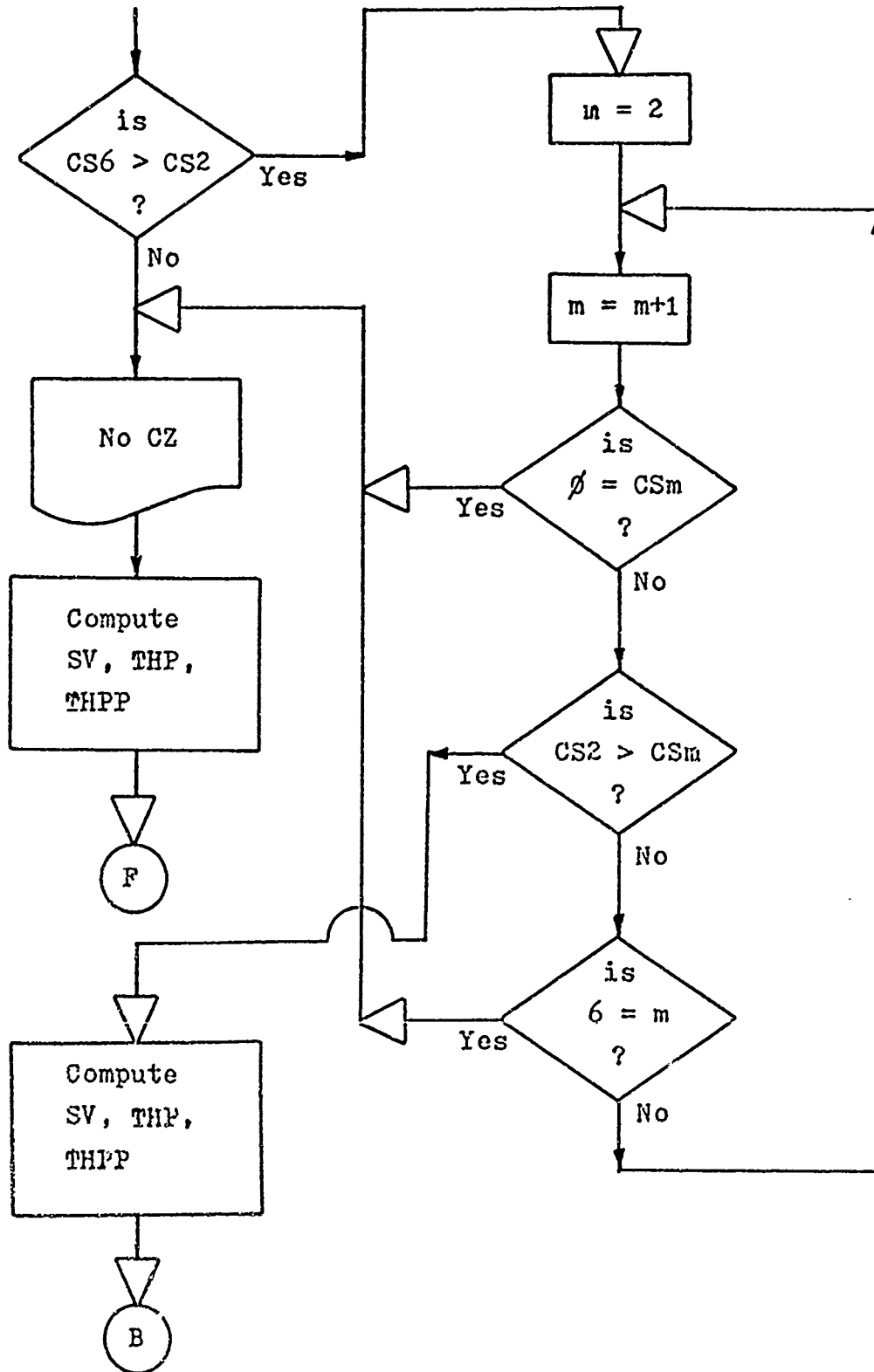




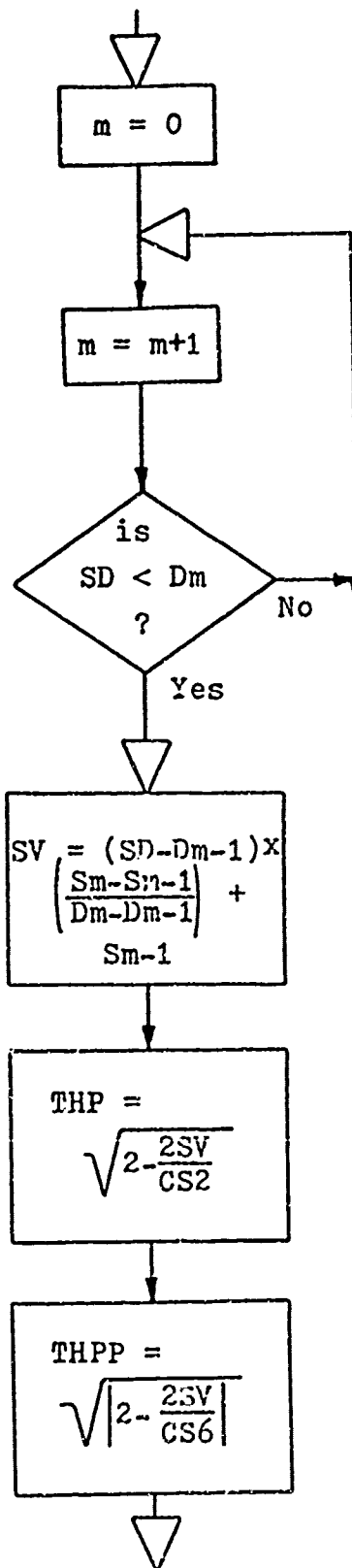


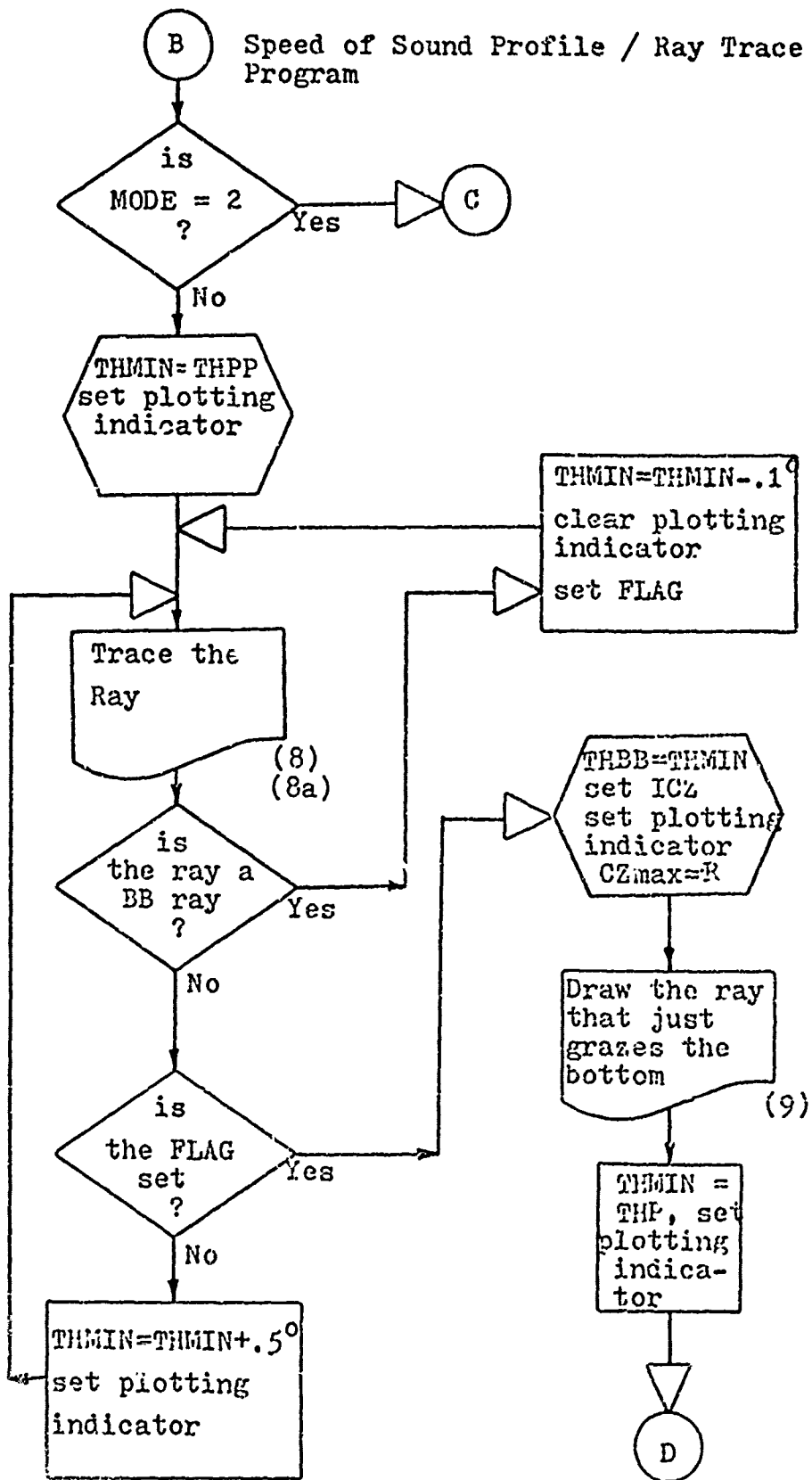
(5) Ray Trace axes

(6) Convergence Zone Test

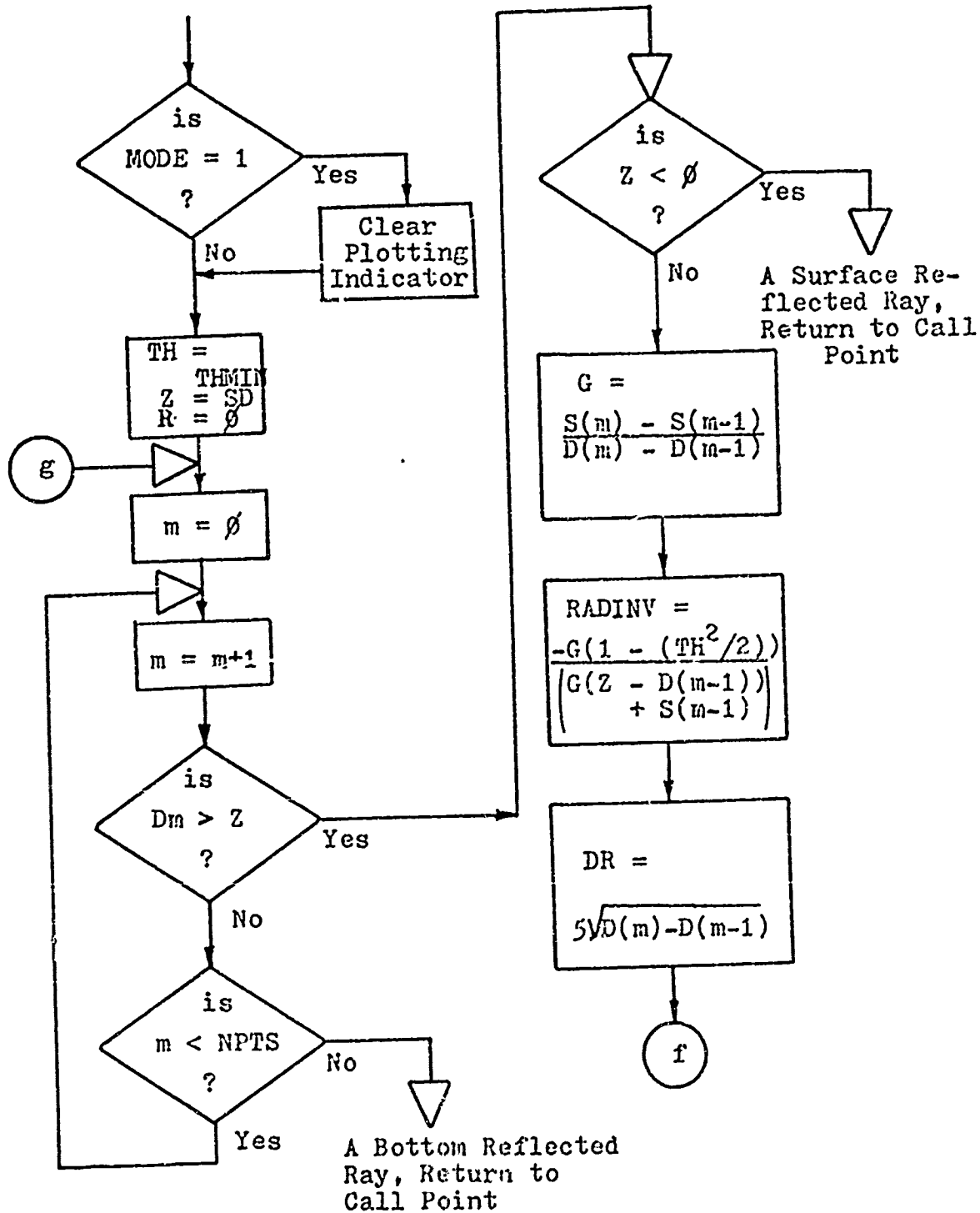


(7) Computation of SV, THP, THPP

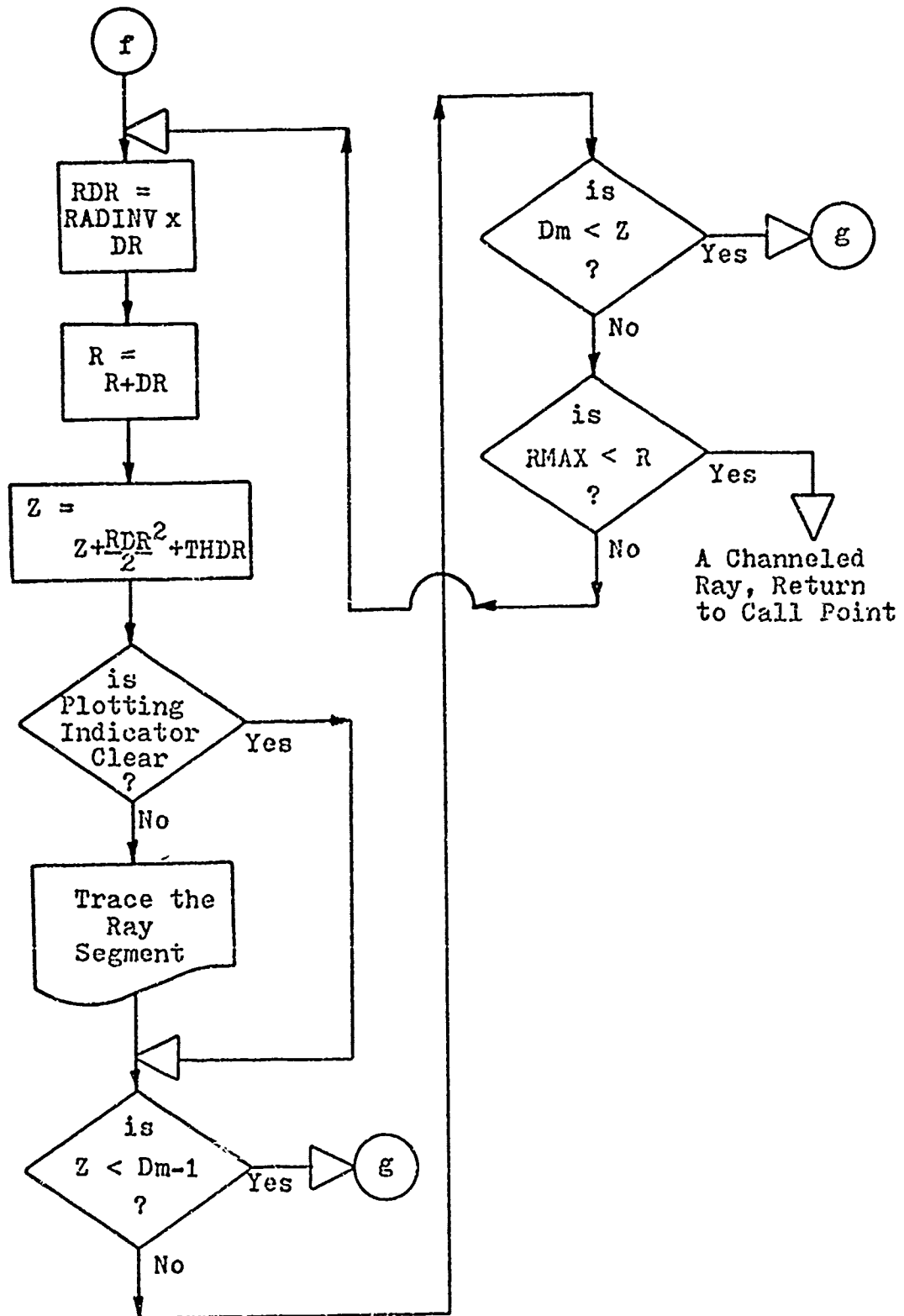


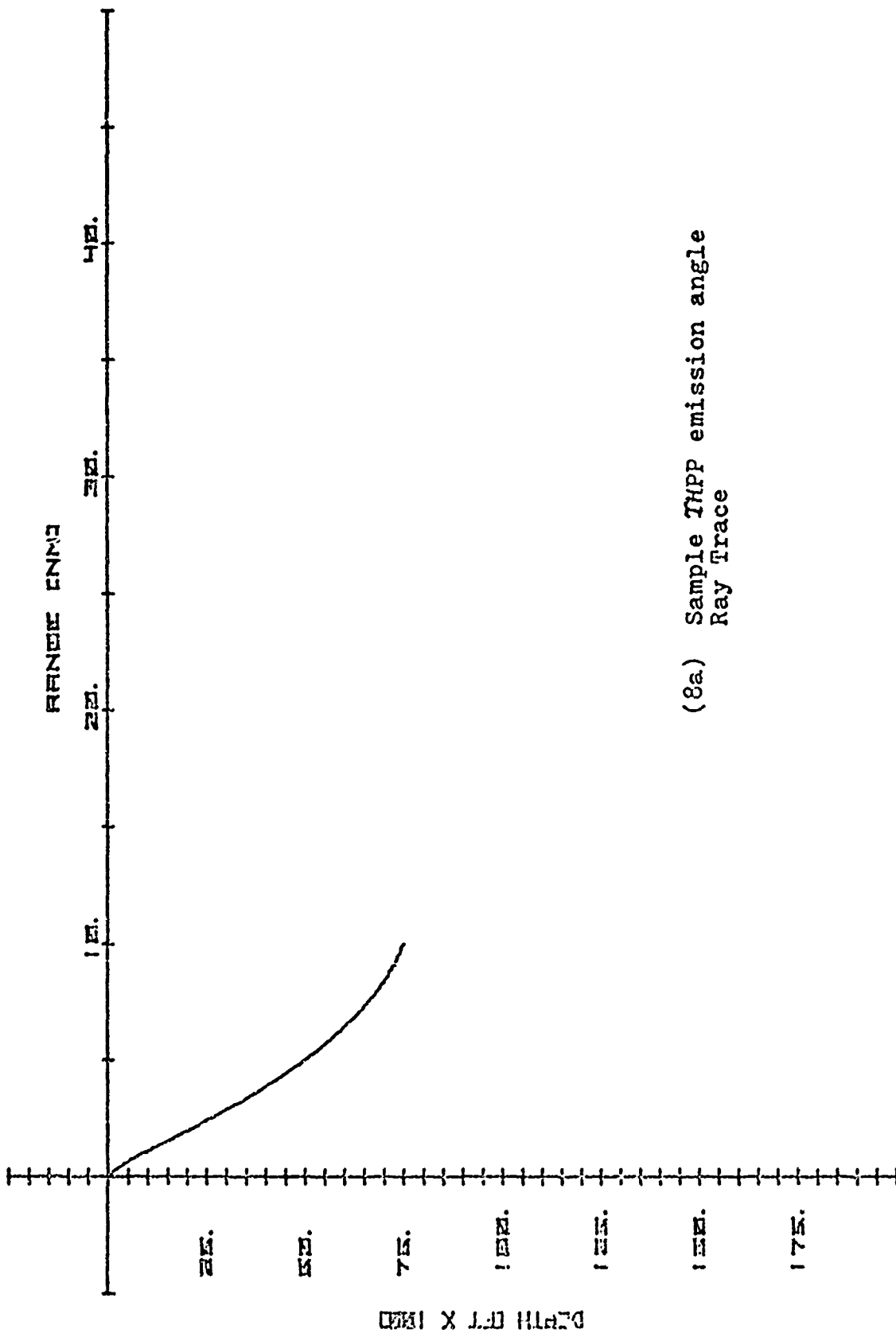


(8) Ray Trace Program

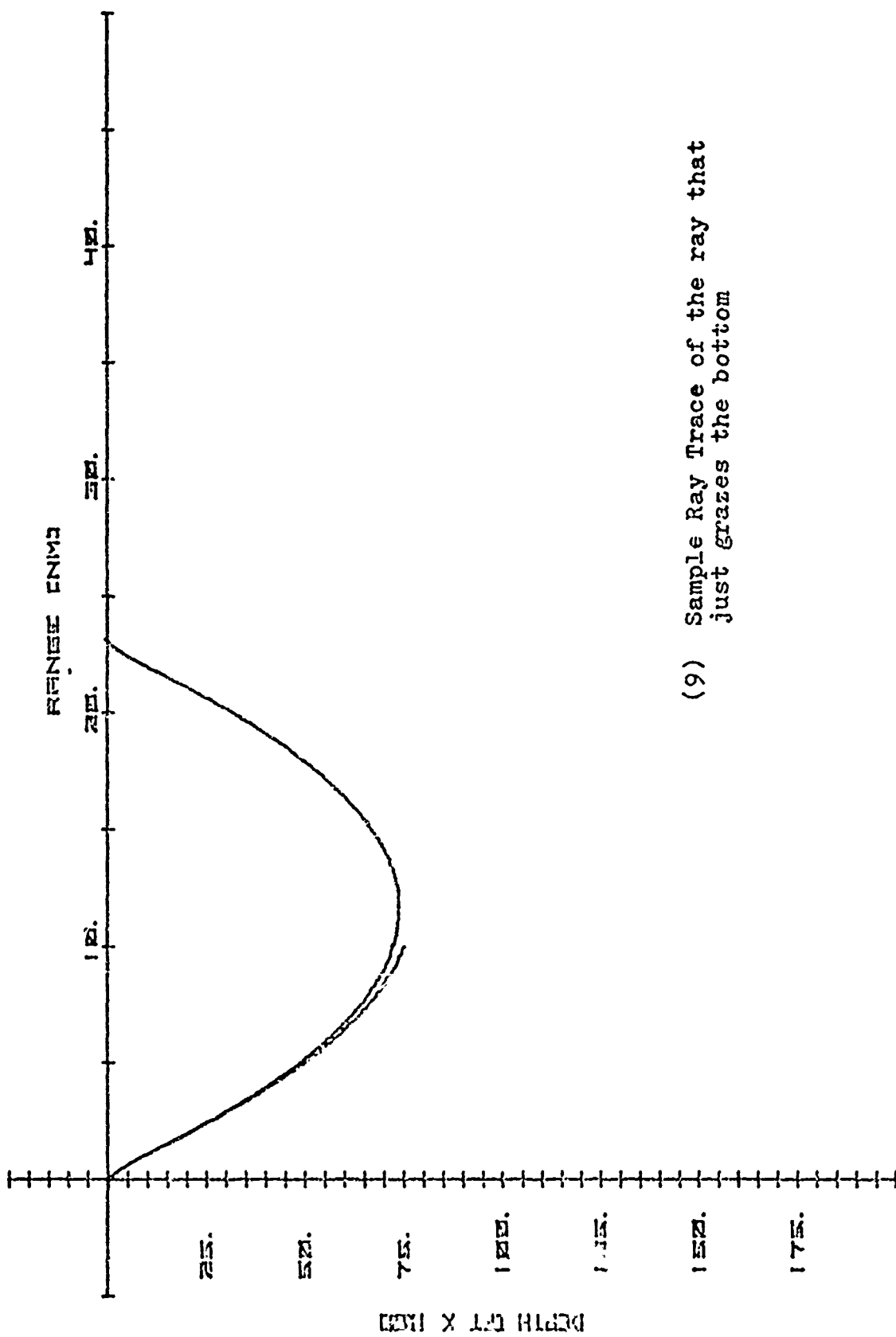


(8) Ray Trace Program

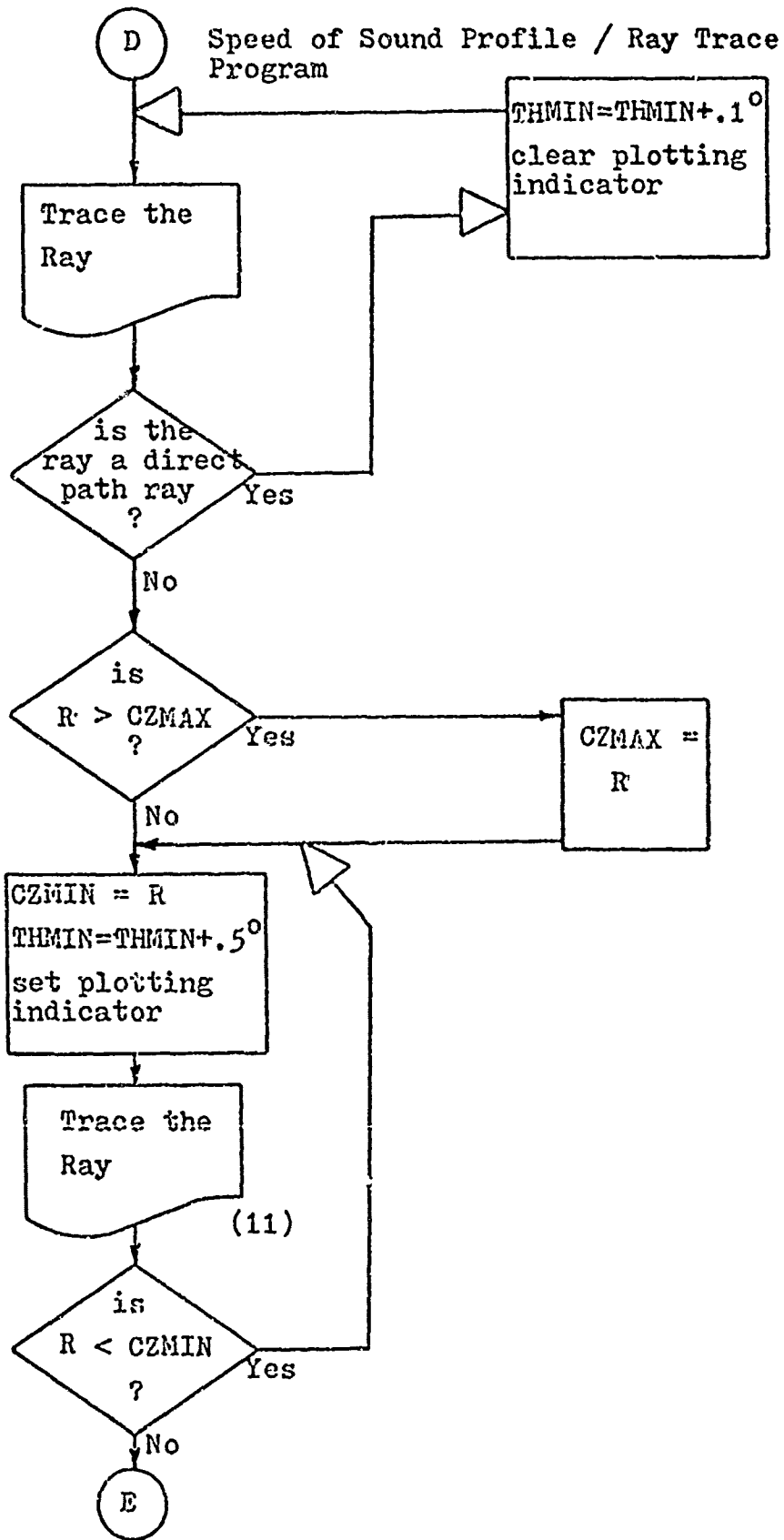


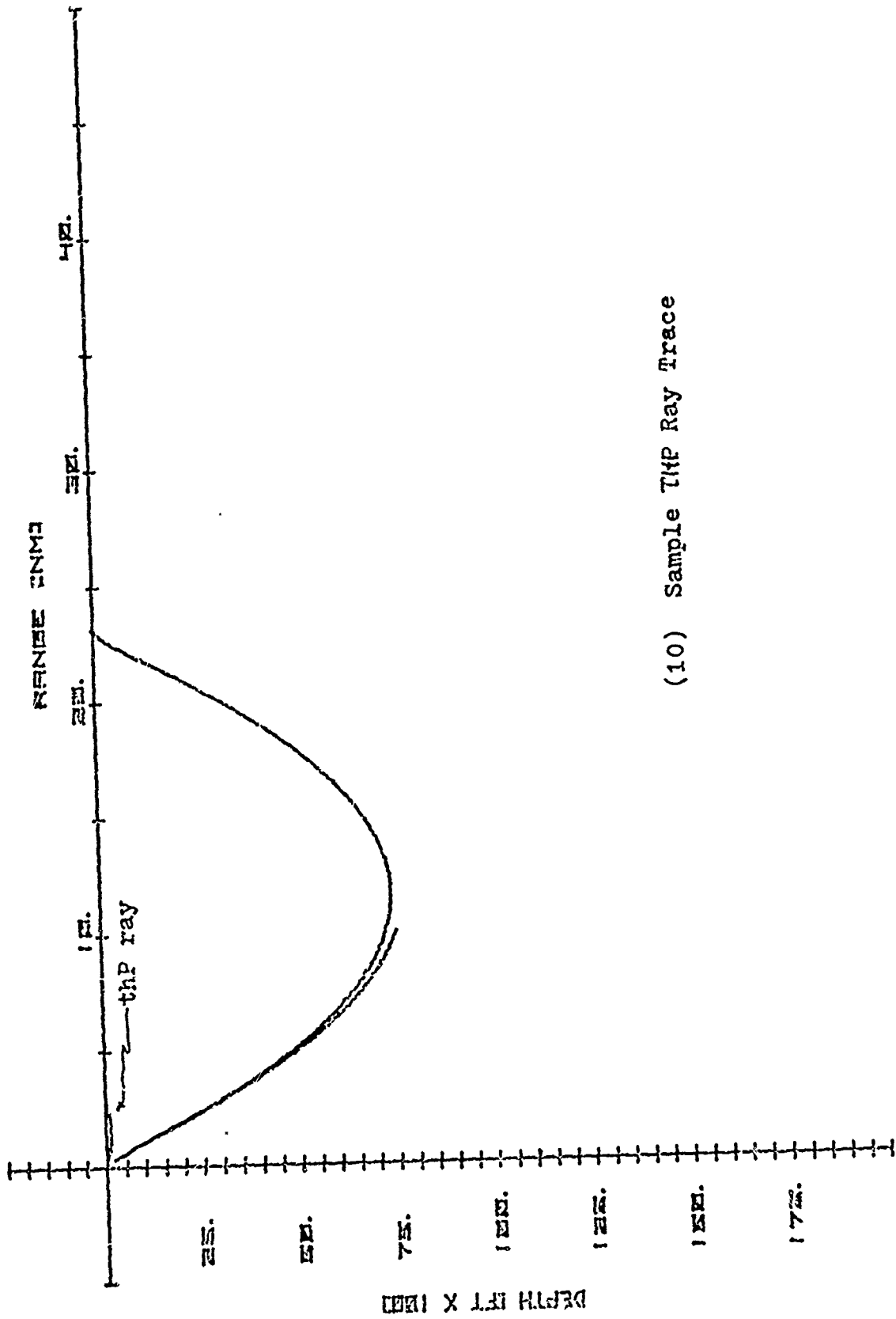


(8a) Sample THPP emission angle Ray Trace

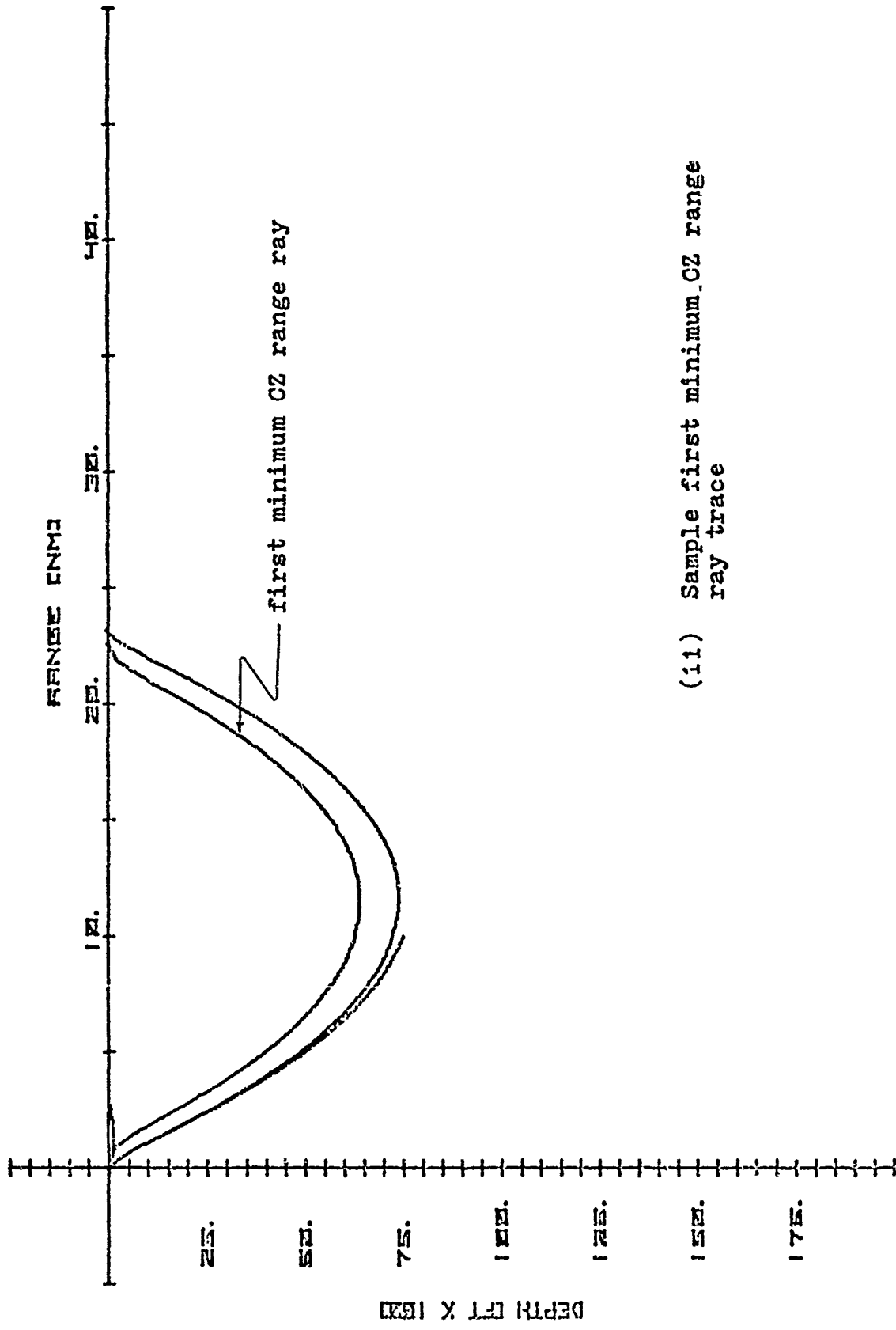


(9) Sample Ray Trace of the ray that just grazes the bottom

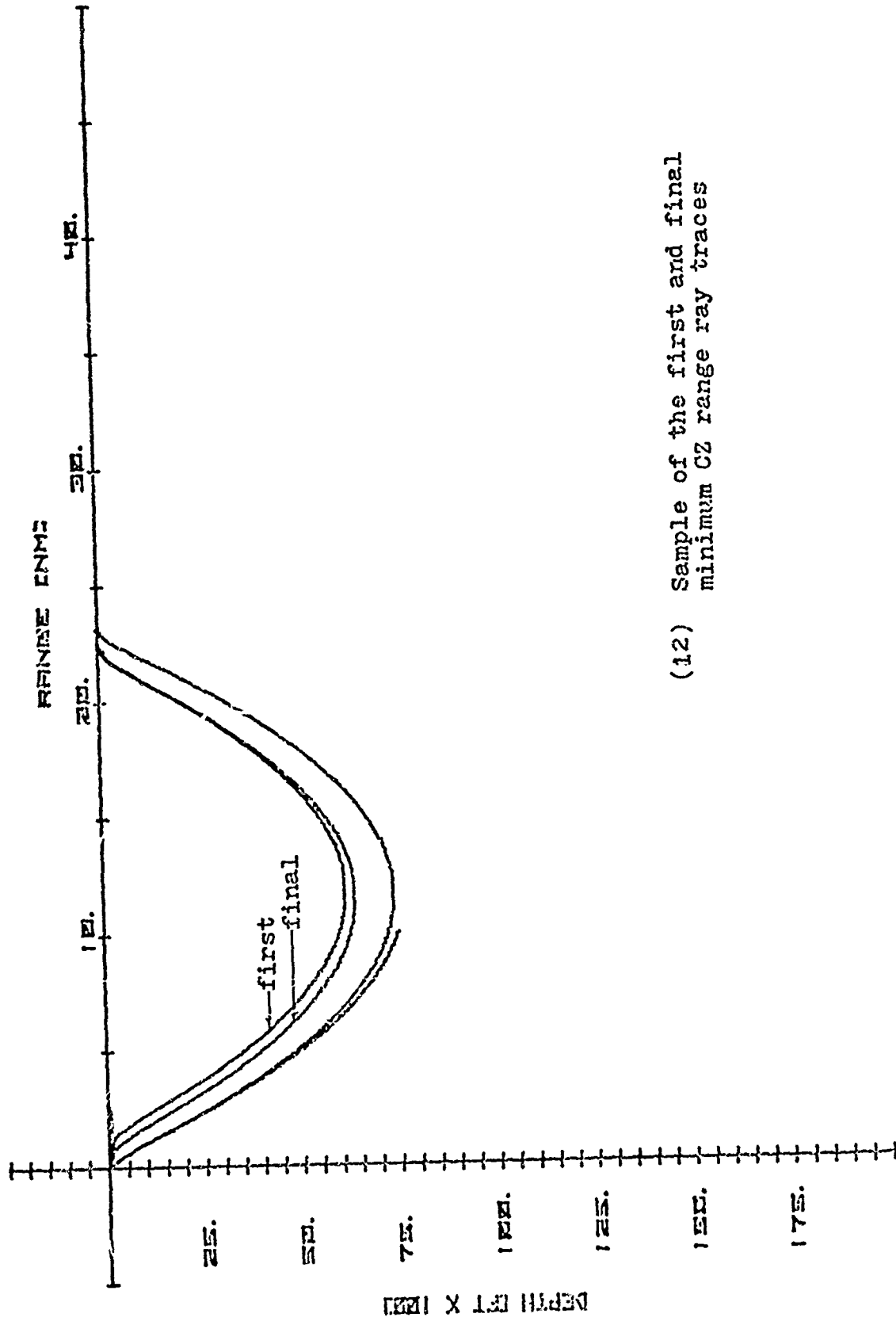




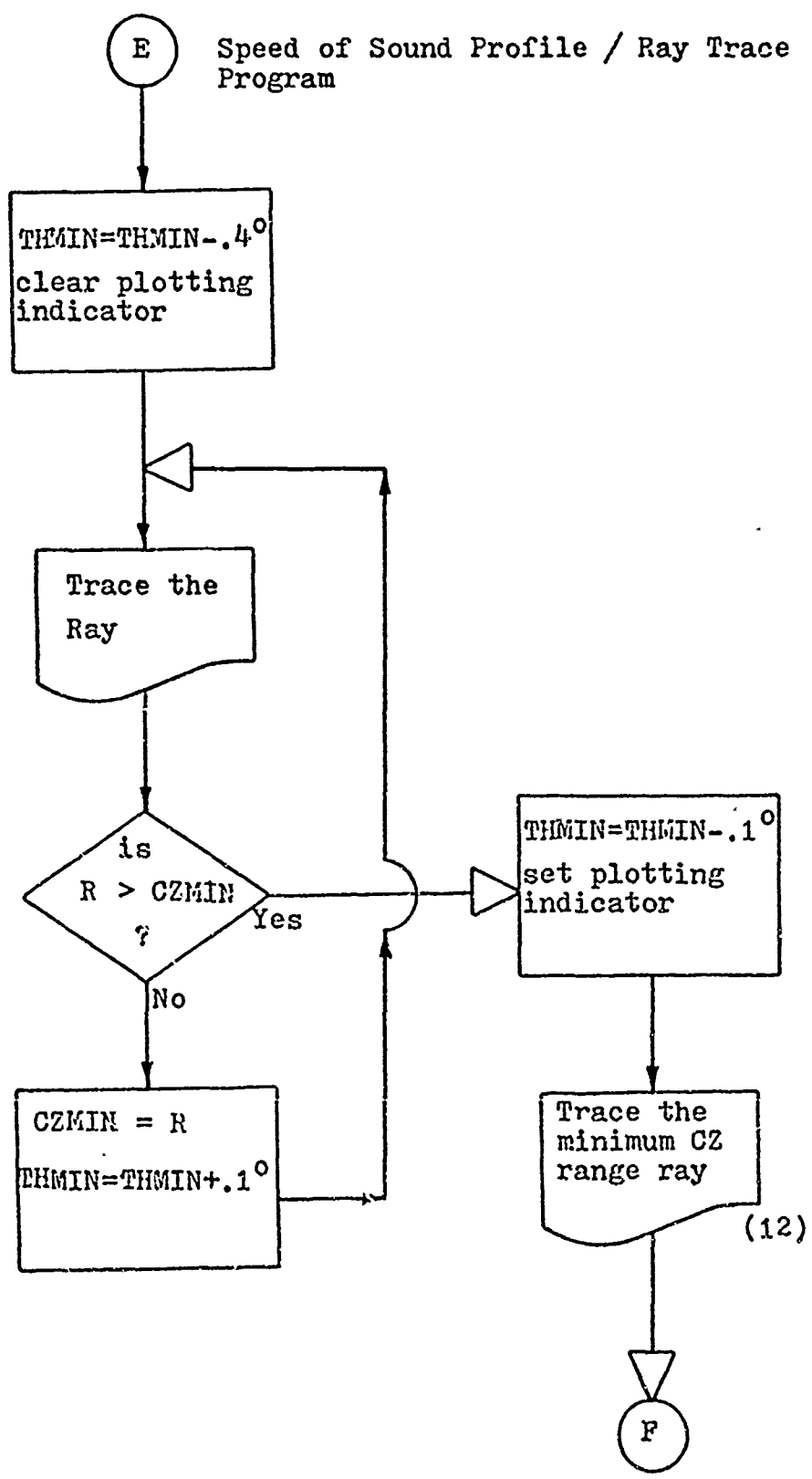
(10) Sample THP Ray Trace

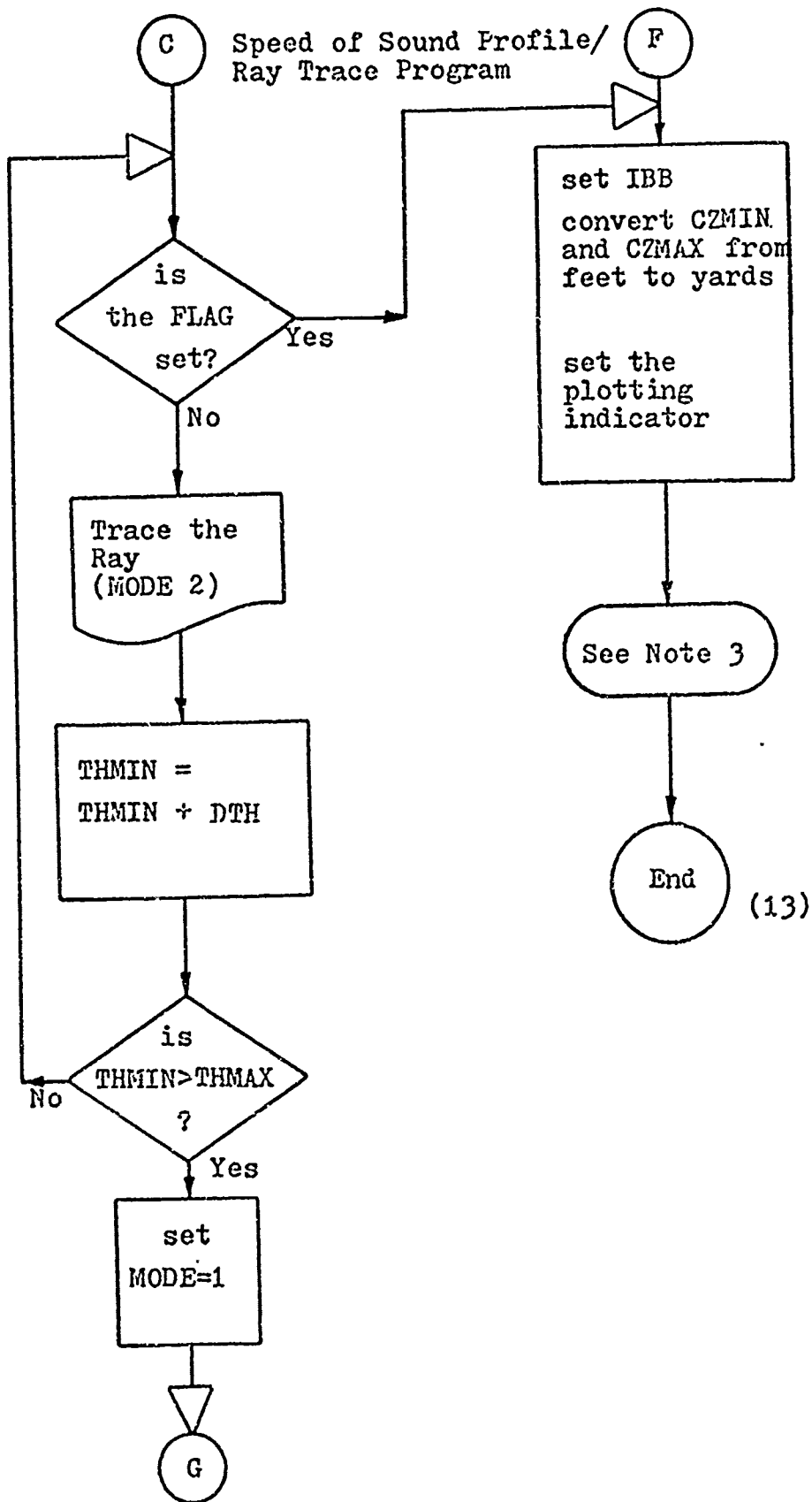


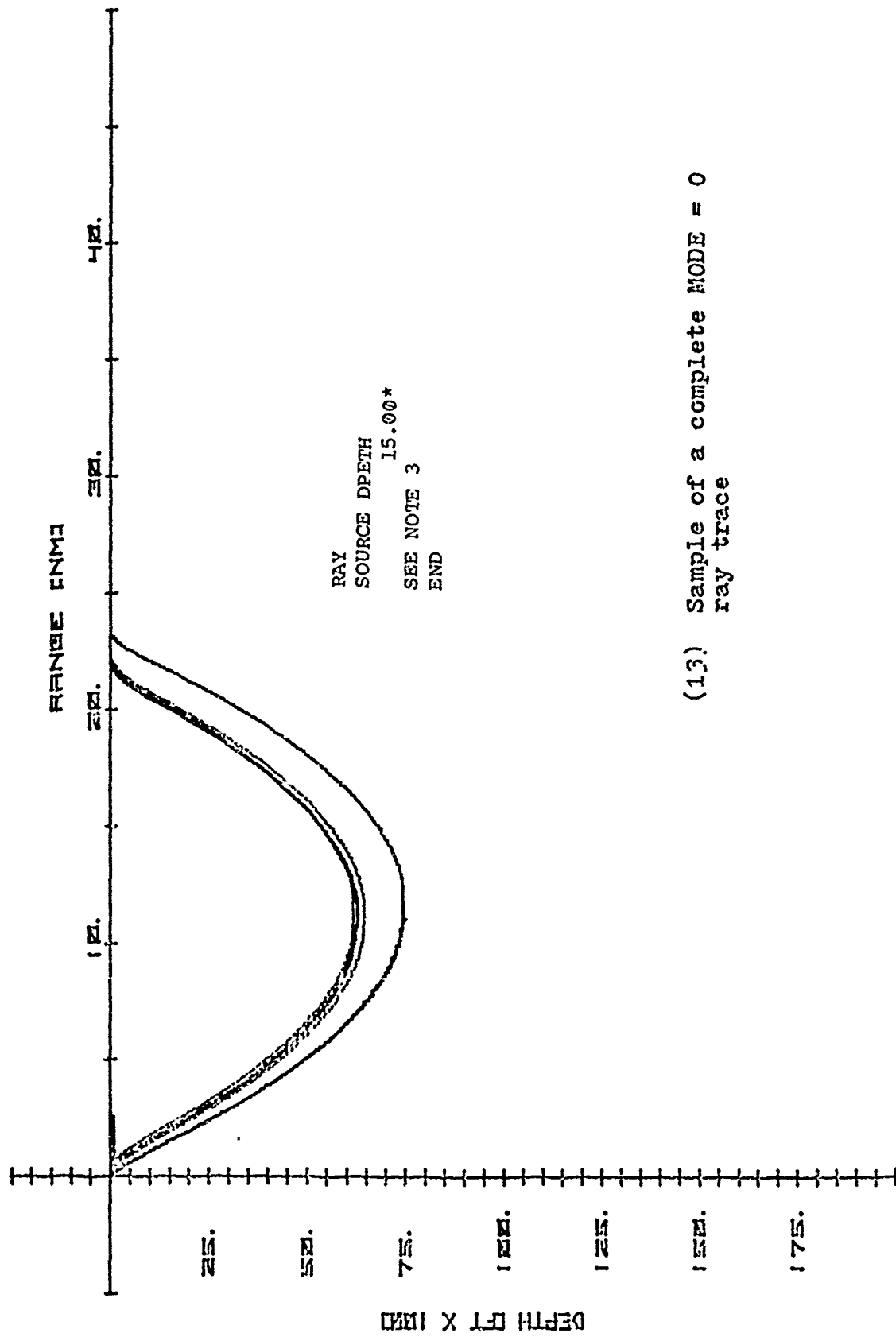
(11) Sample first minimum CZ range ray trace



(12) Sample of the first and final minimum C2 range ray traces







RAY
 SOURCE DPETH 15.00*
 SEE NOTE 3
 END

(13) Sample of a complete MODE = 0
 ray trace

PEAPS HP 9810A
Speed of Sound Profile/Ray Trace
Program Listing

0000--GTO---44
0001-- 4 ---04
0002-- 5 ---05
0003--YTO---40
0004--IND---31
0005-- b ---14
0006-- 3 ---03
0007--XTO---23
0008-- - ---34
0009-- a ---13
0010-- 6 ---06
0011--XTO---23
0012-- - ---34
0013-- b ---14
0014--XFR---67
0015--IND---31
0016-- a ---13
0017--XTO---23
0018--IND---31
0019-- b ---14
0020-- 3 ---03
0021--XTO---23
0022-- + ---33
0023-- a ---13
0024-- 7 ---07
0025--XTO---23
0026-- + ---33
0027-- b ---14
0028-- 1 ---01
0029--XTO---23
0030-- + ---33
0031-- 2 ---02
0032--S/R---77
0033--XFR---67
0034--IND---31
0035-- a ---13
0036-- UP---27
0037-- 2 ---02
0038--XTO---23
0039-- + ---33
0040-- a ---13
0041--XFR---67
0042--IND---31
0043-- a ---13
0044--S/R---77
0045--FMT---42
0046-- 1 ---01
0047-- 8 ---10
0048-- 0 ---00
0049-- 5 ---05
0050-- 2 ---02
0051-- 1 ---01
0052-- 0 ---00
0053-- UP---27

0054-- 4 ---04
0055-- 6 ---06
0056-- 6 ---00
0057-- 0 ---00
0058--FMT---42
0059-- 1 ---01
0060-- 2 ---02
0061-- 2 ---02
0062-- 5 ---05
0063-- 0 ---00
0064-- 0 ---00
0065-- UP---27
0066--CHS---32
0067-- 2 ---02
0068--EEX---26
0069-- 4 ---04
0070--FMT---42
0071-- 1 ---01
0072-- 3 ---03
0073-- 0 ---00
0074-- UP---27
0075-- 4 ---04
0076-- 7 ---07
0077-- 0 ---00
0078-- 0 ---00
0079--FMT---42
0080-- 1 ---01
0081-- UP---27
0082-- 1 ---01
0083-- 0 ---00
0084--FMT---42
0085-- 1 ---01
0086-- 5 ---05
0087-- 5 ---05
0088-- 0 ---00
0089-- 0 ---00
0090--FMT---42
0091-- 1 ---01
0092-- 6 ---06
0093-- . ---21
0094-- 1 ---01
0095-- 0 ---00
0096--FMT---42
0097-- 1 ---01
0098-- 1 ---01
0099-- 1 ---01
0100-- 2 ---02
0101-- 7 ---07
0102-- 5 ---05
0103-- UP---27
0104-- 4 ---04
0105-- 9 ---11
0106-- 0 ---00
0107-- 0 ---00

0108--FMT---42
0109-- 1 ---01
0110-- UP---27
0111--FMT---42
0112-- 1 ---01
0113--FMT---42
0114--YTO---40
0115-- r ---56
0116-- E ---60
0117-- E ---60
0118-- D ---63
0119--CHT---47
0120--XKY---52
0121-- F ---16
0122--XTO---23
0123--DIV---35
0124--YTO---40
0125-- E ---60
0126-- C ---61
0127--CNT---47
0128-- YE---24
0129--CHT---47
0130-- 1 ---01
0131-- 0 ---00
0132-- 0 ---00
0133--PSE---57
0134--FMT---42
0135-- 4 ---04
0136-- 6 ---06
0137-- 9 ---11
0138-- 0 ---00
0139--XTO---23
0140-- a ---13
0141-- 4 ---04
0142-- 7 ---07
0143--XTO---23
0144-- b ---14
0145-- 3 ---03
0146-- 0 ---00
0147-- 0 ---00
0148-- UP---27
0149-- a ---13
0150--FMT---42
0151-- 1 ---01
0152-- UP---27
0153-- b ---14
0154--FMT---42
0155-- 1 ---01
0156--PHT---45
0157-- 1 ---01
0158-- 0 ---00
0159-- 0 ---00
0160--XTO---23
0161-- + ---33

0162-- a ---13
0163-- 1 ---01
0164--XTO---23
0165-- + ---33
0166-- b ---14
0167-- b ---14
0168-- UP---27
0169-- 5 ---05
0170-- 3 ---03
0171--X>Y---53
0172-- 0 ---00
0173-- 1 ---01
0174-- 4 ---04
0175-- 5 ---05
0176--FMT---42
0177-- 1 ---01
0178-- 9 ---11
0179--CHS---32
0180-- 1 ---01
0181-- 2 ---02
0182--EEX---26
0183-- 3 ---03
0184-- UP---27
0185-- 4 ---04
0186-- 6 ---06
0187-- 3 ---03
0188-- 0 ---00
0189--FMT---42
0190-- 1 ---01
0191-- UP---27
0192--FMT---42
0193-- 1 ---01
0194--FMT---42
0195-- D ---63
0196-- E ---60
0197-- n ---56
0198--XTO---23
0199-- H ---74
0200--CNT---47
0201--X>Y---52
0202-- F ---16
0203--XTO---23
0204--CNT---47
0205-- YE---24
0206--CNT---47
0207-- 1 ---01
0208-- 0 ---00
0209-- 0 ---00
0210--PSE---57
0211--FMT---42
0212--FMT---42
0213-- 1 ---01
0214-- 9 ---11
0215-- 2 ---02

0216-- 6 ---06
0217-- 0 ---00
0218-- 0 ---00
0219--CHS---32
0220--XTO---23
0221-- a ---13
0222-- 2 ---02
0223-- 5 ---05
0224--XTO---23
0225-- b ---14
0226-- a ---13
0227-- UP---27
0228-- 4 ---04
0229-- 6 ---06
0230-- 5 ---05
0231-- 0 ---00
0232--FMT---42
0233-- 1 ---01
0234-- UP---27
0235-- b ---14
0236--FMT---42
0237-- 1 ---01
0238--FMT---45
0239-- 2 ---02
0240-- 5 ---05
0241-- 0 ---00
0242-- 0 ---00
0243--XTO---23
0244-- - ---34
0245-- a ---13
0246-- 2 ---02
0247-- 5 ---05
0248--XTO---23
0249-- + ---33
0250-- b ---14
0251-- b ---14
0252-- UP---27
0253-- 2 ---02
0254--EEX---26
0255-- 2 ---02
0256--X>Y---53
0257-- 0 ---00
0258-- 2 ---02
0259-- 2 ---02
0260-- 6 ---06
0261-- 0 ---00
0262-- UP---27
0263-- 5 ---05
0264-- 0 ---00
0265-- 0 ---00
0266-- 0 ---00
0267--FMT---42
0268-- 1 ---01
0269-- UP---27

0270--LBL---51
0271-- A ---62
0272--CLR---26
0273-- 9 ---11
0274-- 9 ---11
0275-- UP---27
0276--CLX---37
0277--XTO---23
0278--IND---31
0279-- a ---13
0280-- 1 ---01
0281--XTO---23
0282-- + ---33
0283-- a ---13
0284-- a ---13
0285--X>Y---52
0286-- 0 ---00
0287-- 2 ---02
0288-- 7 ---07
0289-- 6 ---06
0290--CLR---20
0291--FMT---42
0292-- 1 ---01
0293-- 8 ---10
0294-- 2 ---02
0295--FMT---42
0296--FMT---42
0297--YTO---40
0298--YTO---40
0299-- n ---56
0300--CLR---20
0301--YTO---40
0302-- E ---60
0303-- E ---60
0304--CNT---47
0305-- N ---73
0306-- 0 ---71
0307--XTO---23
0308-- E ---60
0309--CNT---47
0310-- 1 ---01
0311--FMT---42
0312--STP---41
0313--FMT---42
0314--FMT---42
0315--CNT---47
0316--CLR---20
0317-- N ---73
0318-- a ---13
0319--CNT---47
0320-- n ---56
0321--XTO---23
0322--YTO---40
0323--FMT---42

0324--STP---41
 0325--PNT---45
 0326--XTO---23
 0327-- 1 ---01
 0328-- 0 ---00
 0329--CLX---37
 0330--XTO---23
 0331-- 1 ---01
 0332--CNT---47
 0333-- 2 ---02
 0334-- 8 ---10
 0335--XTO---23
 0336-- 2 ---02
 0337--FMT---42
 0338--FMT---42
 0339-- D ---63
 0340-- E ---60
 0341-- π ---56
 0342--XTO---23
 0343-- H ---74
 0344--FMT---42
 0345--STP---41
 0346--PNT---45
 0347-- UP---27
 0348--YTO---40
 0349--IND---3L
 0350-- 2 ---02
 0351--CNT---47
 0352-- . ---21
 0353-- 3 ---03
 0354-- 0 ---00
 0355-- 4 ---04
 0356-- 8 ---10
 0357-- X ---36
 0358--YTO---40
 0359-- 0 ---13
 0360-- 1 ---01
 0361--XTO---23
 0362-- + ---33
 0363-- 2 ---02
 0364--FMT---42
 0365--FMT---42
 0366--XTO---23
 0367-- E ---60
 0368-- M ---70
 0369-- π ---56
 0370--FMT---42
 0371--STP---41
 0372--PNT---45
 0373--CNT---47
 0374-- UP---27
 0375-- 3 ---03
 0376-- 2 ---02
 0377-- - ---34

0378-- 5 ---05
 0379-- :: ---36
 0380-- 9 ---11
 0381--DIV---35
 0382--YTO---40
 0383-- 6 ---14
 0384--FMT---42
 0385--FMT---42
 0386--YTO---40
 0387-- A ---62
 0388-- L ---72
 0389-- I ---65
 0390-- H ---73
 0391--FMT---42
 0392--STP---41
 0393--PNT---45
 0394--XTO---23
 0395-- 0 ---00
 0396--FMT---42
 0397--FMT---42
 0398--YTO---40
 0399-- π ---56
 0400-- D ---63
 0401--FMT---42
 0402--CNT---47
 0403--CNT---47
 0404-- 3 ---03
 0405-- 5 ---05
 0406--XTO---23
 0407-- - ---34
 0408-- 0 ---00
 0409--CNT---47
 0410-- 1 ---01
 0411-- 4 ---04
 0412-- 4 ---04
 0413-- 9 ---11
 0414-- . ---21
 0415-- 3 ---03
 0416-- UP---27
 0417-- 0 ---13
 0418-- UP---27
 0419-- 1 ---01
 0420-- . ---21
 0421-- 5 ---05
 0422-- 8 ---10
 0423-- 4 ---04
 0424-- 8 ---10
 0425--EEX---26
 0426--CHS---32
 0427-- 2 ---02
 0428-- :: ---36
 0429-- DH---25
 0430-- + ---33
 0431-- 6 ---14

0432-- UP---27
 0433-- 4 ---04
 0434-- . ---21
 0435-- 5 ---05
 0436-- 8 ---10
 0437-- 7 ---07
 0438-- :: ---36
 0439-- DH---25
 0440-- + ---33
 0441--XFR---67
 0442-- 0 ---00
 0443-- UP---27
 0444-- 1 ---01
 0445-- . ---21
 0446-- 1 ---01
 0447-- 9 ---11
 0448-- X ---36
 0449-- DH---25
 0450-- + ---33
 0451--XFR---67
 0452-- 0 ---00
 0453-- UP---27
 0454-- 6 ---14
 0455-- X ---36
 0456-- 1 ---01
 0457-- . ---21
 0458-- 2 ---02
 0459--EEX---26
 0460--CHS---32
 0461-- 2 ---02
 0462-- :: ---36
 0463-- DH---25
 0464-- - ---34
 0465-- 0 ---13
 0466--XSO---12
 0467-- UP---27
 0468-- 1 ---01
 0469-- . ---21
 0470-- 5 ---05
 0471-- 7 ---07
 0472-- 2 ---02
 0473--EEX---26
 0474--CHS---32
 0475-- 7 ---07
 0476-- X ---36
 0477-- DH---25
 0478-- + ---33
 0479-- 6 ---14
 0480-- UP---27
 0481-- 0 ---13
 0482--XSO---12
 0483-- 3 ---03
 0484-- 7 ---07
 0485-- . ---21

0486-- 1 ---01
 0487-- 9 ---11
 0488--EEM---26
 0489--CHS---32
 0490-- 9 ---11
 0491-- X ---36
 0492-- DN---25
 0493-- - ---34
 0494-- b ---14
 0495--XSO---12
 0496-- UP---27
 0497-- 5 ---05
 0498-- . ---21
 0499-- 3 ---03
 0500-- 5 ---05
 0501-- 6 ---06
 0502--EEM---26
 0503--CHS---32
 0504-- 2 ---02
 0505-- X ---36
 0506-- DN---25
 0507-- - ---34
 0508-- b ---14
 0509--XSO---12
 0510-- UP---27
 0511-- a ---13
 0512-- X ---36
 0513-- 1 ---01
 0514-- . ---21
 0515-- 3 ---03
 0516-- 5 ---05
 0517-- 4 ---04
 0518--EEM---26
 0519--CHS---32
 0520-- 6 ---06
 0521-- X ---36
 0522-- DN---25
 0523-- + ---33
 0524-- a ---13
 0525--XSO---12
 0526-- UP---27
 0527-- X ---36
 0528-- 3 ---03
 0529-- . ---21
 0530-- 4 ---04
 0531-- 6 ---06
 0532--EEM---26
 0533--CHS---32
 0534-- 1 ---01
 0535-- 6 ---06
 0536-- X ---36
 0537-- DN---25
 0538-- - ---34
 0539-- b ---14

0540-- UP---27
 0541--XSO---12
 0542-- X ---36
 0543-- 2 ---02
 0544-- . ---21
 0545-- 6 ---06
 0546-- 0 ---00
 0547-- 4 ---04
 0548--EEM---26
 0549--CHS---32
 0550-- 4 ---04
 0551-- X ---36
 0552-- DN---25
 0553-- + ---33
 0554--XFR---67
 0555-- 0 ---00
 0556-- UP---27
 0557--XSO---12
 0558-- X ---36
 0559-- 9 ---1
 0560-- . ---21
 0561-- 6 ---06
 0562--EEM---26
 0563--CHS---32
 0564-- 2 ---02
 0565-- X ---36
 0566-- DN---25
 0567-- + ---33
 0568-- . ---21
 0569-- 3 ---03
 0570-- 0 ---00
 0571-- 4 ---04
 0572-- 8 ---10
 0573--DIV---35
 0574--YTO---40
 0575--IND---31
 0576-- 2 ---02
 0577-- a ---13
 0578--CHS---32
 0579-- UP---27
 0580-- . ---21
 0581-- 3 ---03
 0582-- 0 ---00
 0583-- 4 ---04
 0584-- 8 ---10
 0585--DIV---35
 0586-- DN---25
 0587--KEY---30
 0588--PHT---45
 0589--PHT---45
 0590--FMT---42
 0591-- 1 ---01
 0592-- DN---25
 0593-- 1 ---01

0594--XTO---23
 0595-- + ---33
 0596-- 2 ---02
 0597--XTO---23
 0598-- + ---33
 0599-- 1 ---01
 0600--XFR---67
 0601-- 1 ---01
 0602-- 0 ---00
 0603-- UP---27
 0604--XFR---67
 0605-- 1 ---01
 0606--XKY---52
 0607-- 0 ---00
 0608-- 3 ---03
 0609-- 3 ---03
 0610-- 7 ---07
 0611-- K ---55
 0612-- 2 ---02
 0613--FMT---42
 0614-- UP---27
 0615-- 2 ---02
 0616-- 9 ---11
 0617--XTO---23
 0618-- a ---13
 0619-- 1 ---01
 0620-- 8 ---10
 0621--XTO---23
 0622-- 5 ---14
 0623--XFR---67
 0624-- 1 ---01
 0625-- 0 ---00
 0626-- UP---27
 0627-- 2 ---02
 0628-- X ---36
 0629-- 2 ---02
 0630-- 7 ---07
 0631-- + ---33
 0632--YTO---40
 0633-- 0 ---00
 0634--CLX---37
 0635--XTO---23
 0636-- 1 ---01
 0637--XTO---23
 0638-- 3 ---03
 0639--XTO---23
 0640-- 2 ---02
 0641--GTO---44
 0642--S/R---77
 0643-- 3 ---03
 0644-- 3 ---03
 0645--KEY---30
 0646-- UP---27
 0647-- 1 ---01

0648--XTO---23
 0649-- + ---33
 0650-- 1 ---01
 0651--WFR---67
 0652-- 0 ---00
 0653-- UP---27
 0654-- a ---13
 0655--X>Y---53
 0656-- 0 ---00
 0657-- 8 ---10
 0658-- 3 ---03
 0659-- 6 ---06
 0660-- DN---25
 0661--WFR---67
 0662--IND---31
 0663-- a ---13
 0664--X=Y---50
 0665-- 0 ---00
 0666-- 8 ---10
 0667-- 0 ---00
 0668-- 1 ---01
 0669--WFR---67
 0670-- 3 ---03
 0671-- UP---27
 0672-- 0 ---00
 0673--X=Y---50
 0674-- 0 ---00
 0675-- 6 ---06
 0676-- 9 ---11
 0677-- 3 ---03
 0678--XTO---23
 0679-- 3 ---03
 0680-- DN---25
 0681--GTO---44
 0682--S/R---77
 0683-- 3 ---03
 0684--WFR---67
 0685--IND---31
 0686-- a ---13
 0687--X>Y---52
 0688-- 0 ---00
 0689-- 6 ---06
 0690-- 9 ---11
 0691-- 3 ---03
 0692--SFL---54
 0693-- DN---25
 0694--WFR---67
 0695--IND---31
 0696-- a ---13
 0697--IFG---43
 0698-- 0 ---00
 0699-- 8 ---10
 0700-- 0 ---00
 0701-- 9 ---11

0702--X>Y---52
 0703-- 0 ---00
 0704-- 7 ---07
 0705-- 6 ---06
 0706-- 6 ---06
 0707-- 1 ---01
 0708-- UP---27
 0709--WFR---67
 0710-- 1 ---01
 0711--X>Y---53
 0712-- 0 ---00
 0713-- 7 ---07
 0714-- 5 ---05
 0715-- 3 ---03
 0716--WFR---67
 0717--IND---31
 0718-- a ---13
 0719--XTO---23
 0720--IND---31
 0721-- b ---14
 0722-- 1 ---01
 0723--XTO---23
 0724-- - ---34
 0725-- a ---13
 0726-- 6 ---06
 0727--XTO---23
 0728-- - ---34
 0729-- b ---14
 0730--WFR---67
 0731--IND---31
 0732-- a ---13
 0733--XTO---23
 0734--IND---31
 0735-- b ---14
 0736-- 1 ---01
 0737--XTO---23
 0738-- + ---33
 0739-- a ---13
 0740-- 6 ---06
 0741--XTO---23
 0742-- + ---33
 0743-- b ---14
 0744-- DN---25
 0745--WFR---67
 0746--IND---31
 0747-- a ---13
 0748--SFL---54
 0749--GTO---44
 0750-- 6 ---06
 0751-- 4 ---04
 0752-- 5 ---05
 0753-- DN---25
 0754--GTO---44
 0755--S/R---77

0756-- 3 ---03
 0757--WFR---67
 0758--IND---31
 0759-- a ---13
 0760--SFL---54
 0761--GTO---44
 0762-- 6 ---06
 0763-- 4 ---04
 0764-- 5 ---05
 0765--CNT---47
 0766-- 1 ---01
 0767-- UP---27
 0768--WFR---67
 0769-- 1 ---01
 0770--X>Y---50
 0771-- 0 ---00
 0772-- 7 ---07
 0773-- 7 ---07
 0774-- 9 ---11
 0775-- DN---25
 0776--GTO---44
 0777--S/R---77
 0778-- 3 ---03
 0779-- DN---25
 0780--XTO---23
 0781-- + ---33
 0782-- 1 ---01
 0783--WFR---67
 0784-- 0 ---00
 0785-- UP---27
 0786-- a ---13
 0787--X>Y---53
 0788-- 0 ---00
 0789-- 8 ---10
 0790-- 3 ---03
 0791-- 2 ---02
 0792--GTO---44
 0793--S/R---77
 0794-- 3 ---03
 0795-- 3 ---03
 0796--GTO---44
 0797-- 7 ---07
 0798-- 0 ---00
 0799-- 2 ---02
 0800--CNT---47
 0801-- 1 ---01
 0802--XTO---23
 0803-- + ---33
 0804-- 3 ---03
 0805--GTO---44
 0806-- 6 ---06
 0807-- 4 ---04
 0808-- 1 ---01
 0809--X>Y---53

0810-- 0 ---00
0811-- 8 ---10
0812-- 2 ---02
0813-- 4 ---04
0814--GTO---44
0815--S/R---77
0816-- 3 ---03
0817--XFR---67
0818--IND---31
0819-- a ---13
0820--GTO---44
0821-- 6 ---06
0822-- 4 ---04
0823-- 5 ---05
0824--GTO---44
0825--S/R---77
0826-- 3 ---03
0827-- 3 ---03
0828--GTO---44
0829-- 8 ---18
0830-- 0 ---00
0831-- 9 ---11
0832-- DN---25
0833--GTO---44
0834--S/R---77
0835-- 3 ---03
0836--XFR---67
0837-- 2 ---02
0838-- 8 ---10
0839--XTO---23
0840-- 1 ---01
0841-- 1 ---01
0842--XFR---67
0843-- 2 ---02
0844-- 9 ---11
0845--XTO---23
0846-- 1 ---01
0847-- 7 ---07
0848--XFR---67
0849--IND---31
0850-- 0 ---00
0851--XTO---23
0852-- 0 ---00
0853-- 2 ---02
0854-- 2 ---02
0855-- 1 ---01
0856--XTO---23
0857-- - ---34
0858-- 0 ---00
0859--XFR---67
0860--IND---31
0861-- 0 ---00
0862--XTO---23
0863-- 1 ---01

0864-- 6 ---06
0865--XFR---67
0866-- 2 ---02
0867--XTO---23
0868-- 5 ---05
0869-- 8 ---10
0870--LBL---51
0871-- 8 ---66
0872--FMT---42
0873--FMT---42
0874--YTO---40
0875-- E ---60
0876-- E ---60
0877--CNT---47
0878-- N ---73
0879-- 0 ---71
0880--XTO---23
0881-- E ---60
0882--CNT---47
0883-- 2 ---02
0884--FMT---42
0885--STP---41
0886--GTO---44
0887-- 1 ---01
0888-- 1 ---01
0889-- 6 ---06
0890-- 0 ---00
0891--XFR---67
0892-- 6 ---06
0893-- 0 ---00
0894-- UP---27
0895-- 1 ---01
0896--X=Y---50
0897--XTO---23
0898-- 5 ---05
0899-- 9 ---11
0900--CNT---47
0901--XFR---67
0902-- 1 ---01
0903-- 0 ---00
0904-- UP---27
0905-- 2 ---02
0906-- N ---36
0907-- 2 ---02
0908-- 6 ---06
0909-- + ---33
0910--YTO---40
0911-- a ---13
0912--XFR---67
0913-- 6 ---06
0914-- 4 ---04
0915--XTO---23
0916-- 7 ---07
0917-- 4 ---04

0918--XFR---67
0919-- 4 ---04
0920--XTO---23
0921-- 7 ---07
0922-- 2 ---02
0923--CHS---32
0924-- UP---27
0925--CLX---37
0926--XTO---23
0927-- 7 ---07
0928-- 1 ---01
0929--FMT---42
0930-- 1 ---01
0931-- UP---27
0932-- 2 ---02
0933-- 6 ---06
0934--XTO---23
0935-- a ---14
0936-- 2 ---02
0937--XTO---23
0938-- + ---33
0939-- b ---14
0940--XFR---67
0941-- 7 ---07
0942-- 2 ---02
0943-- UP---27
0944--XFR---67
0945--IND---31
0946-- b ---14
0947--X=Y---50
0948-- 0 ---00
0949-- 9 ---11
0950-- 6 ---06
0951-- 4 ---04
0952-- a ---13
0953-- UP---27
0954-- 5 ---14
0955--X=Y---50
0956--CNT---47
0957--S/R---77
0958--CNT---47
0959--CNT---47
0960--GTO---44
0961-- 9 ---11
0962-- 3 ---03
0963-- 6 ---06
0964--XTO---23
0965-- 3 ---03
0966--CLX---37
0967-- 2 ---02
0968--XTO---23
0969-- - ---34
0970-- b ---14
0971--CLX---37

0972-- UP---27
0973--XFR---67
0974-- 7 ---07
0975-- 2 ---02
0976--XKY---52
0977--CNT---47
0978--S/R---77
0979--CNT---47
0980--CNT---47
0981--XFR---67
0982--IND---31
0983-- 6 ---14
0984--XTO---23
0985-- 2 ---02
0986--CLX---37
0987-- 1 ---01
0988--XTO---23
0989-- + ---33
0990-- 6 ---14
0991--XFR---67
0992--IND---31
0993-- 6 ---14
0994--XTO---23
0995-- 1 ---01
0996-- UP---27
0997-- 2 ---02
0998--XTO---23
0999-- + ---33
1000-- 6 ---14
1001--XFR---67
1002--IND---31
1003-- 6 ---14
1004--XTO---23
1005-- 0 ---00
1006-- - ---34
1007-- 1 ---01
1008--XTO---23
1009-- - ---34
1010-- 6 ---14
1011--XFR---67
1012-- 2 ---02
1013-- UP---27
1014--XFR---67
1015-- 3 ---03
1016-- - ---34
1017-- DN---25
1018--DIV---35
1019--YTO---40
1020-- 7 ---07
1021-- 3 ---03
1022--XFR---67
1023-- 7 ---07
1024-- 4 ---04
1025--XSO---12

1026-- UP---27
1027-- 2 ---02
1028--DIV---35
1029-- 1 ---01
1030--XEY---30
1031-- - ---34
1032-- DN---25
1033--CHS---32
1034-- X ---36
1035--RUP---22
1036--XEY---30
1037--XFR---67
1038-- 7 ---07
1039-- 2 ---02
1040--XFR---67
1041-- - ---34
1042-- 2 ---02
1043-- X ---36
1044-- DN---25
1045--XFR---67
1046-- + ---33
1047-- 1 ---01
1048--DIV---35
1049--YTO---40
1050-- 6 ---06
1051-- 9 ---11
1052--XFR---67
1053-- 3 ---03
1054--XFR---67
1055-- - ---34
1056-- 2 ---02
1057-- 7 ---76
1058-- UP---27
1059-- 5 ---05
1060-- X ---36
1061-- DN---25
1062--XTO---23
1063-- 7 ---07
1064-- 5 ---05
1065--XFR---67
1066-- 6 ---06
1067-- 9 ---11
1068-- UP---27
1069--XFR---67
1070-- 7 ---07
1071-- 5 ---05
1072-- X ---36
1073--YTO---40
1074-- 6 ---06
1075-- 1 ---01
1076--XTO---23
1077-- + ---33
1078-- 7 ---07
1079-- 1 ---01

1080-- X ---36
1081-- UP---27
1082--XFR---67
1083-- 7 ---07
1084-- 4 ---04
1085-- X ---36
1086--RUP---22
1087--XEY---30
1088-- 2 ---02
1089--DIV---35
1090-- DN---25
1091-- + ---33
1092--YTO---40
1093-- + ---33
1094-- 7 ---07
1095-- 2 ---02
1096--XFR---67
1097-- 6 ---06
1098-- 1 ---01
1099--XTO---23
1100-- + ---33
1101-- 7 ---07
1102-- 4 ---04
1103--XFR---67
1104-- 5 ---05
1105-- 9 ---11
1106-- UP---27
1107--CLX---37
1108--XKY---52
1109-- 1 ---01
1110-- 1 ---01
1111-- 2 ---02
1112-- 4 ---04
1113--XFR---67
1114-- 7 ---07
1115-- 2 ---02
1116--CHS---32
1117-- UP---27
1118--XFR---67
1119-- 7 ---07
1120-- 1 ---01
1121--FMT---42
1122-- 1 ---01
1123-- DN---25
1124--XFR---67
1125-- 2 ---02
1126-- UP---27
1127--XFR---67
1128-- 7 ---07
1129-- 2 ---02
1130--XKY---52
1131-- 0 ---00
1132-- 9 ---11
1133-- 3 ---03

1134-- 2 ---02
1135-- UP---27
1136--XFR---67
1137-- 3 ---03
1138--XKY---52
1139-- 0 ---00
1140-- 9 ---11
1141-- 3 ---03
1142-- 2 ---02
1143--XFR---67
1144-- 7 ---07
1145-- 1 ---01
1146-- UP---27
1147-- 3 ---03
1148--EEX---26
1149-- 5 ---05
1150--XKY---52
1151--CNT---47
1152--S/R---77
1153--CNT---47
1154--CNT---47
1155--GTO---44
1156-- 1 ---01
1157-- 0 ---00
1158-- 6 ---06
1159-- 5 ---05
1160--XTO---23
1161-- 6 ---06
1162-- 0 ---00
1163-- n ---56
1164-- UP---27
1165-- 3 ---03
1166-- 6 ---06
1167-- 0 ---00
1168--DIV---35
1169--YTO---40
1170-- 6 ---06
1171-- 3 ---03
1172--YTO---40
1173-- a ---13
1174-- 5 ---05
1175--CNT---47
1176--DIV---35
1177--YTO---40
1178-- 6 ---06
1179-- 2 ---02
1180--FMT---42
1181--FMT---42
1182-- a ---13
1183-- A ---62
1184--XFR---67
1185--CLR---20
1186--YTO---40
1187-- 0 ---71

1188--1/X---17
1189-- o ---13
1190-- C ---61
1191-- E ---60
1192--CNT---47
1193-- D ---63
1194-- E ---60
1195-- n ---56
1196--XTO---23
1197-- H ---74
1198--FMT---42
1199--STP---41
1200--PNT---45
1201--XTO---23
1202-- 4 ---04
1203--XTO---23
1204-- 7 ---07
1205-- 2 ---02
1206--XFR---67
1207-- 6 ---06
1208-- 0 ---00
1209-- UP---27
1210--CLX---37
1211--X=Y---50
1212-- 1 ---01
1213-- 3 ---03
1214-- 1 ---01
1215-- 6 ---06
1216-- 1 ---01
1217--X=Y---50
1218-- 1 ---01
1219-- 5 ---05
1220-- 3 ---03
1221-- 3 ---03
1222--GTO---44
1223-- 1 ---01
1224-- 2 ---02
1225-- 4 ---04
1226-- 7 ---07
1227--FMT---42
1228--FMT---42
1229-- N ---73
1230-- 0 ---71
1231--CNT---47
1232-- C ---61
1233--XSO---12
1234--FMT---42
1235--GTO---44
1236--S/R---77
1237-- 1 ---01
1238-- 6 ---06
1239-- 0 ---00
1240-- 1 ---01
1241--SFL---54

1242--GTO---44
1243-- 1 ---01
1244-- 9 ---11
1245-- 5 ---05
1246-- 1 ---01
1247--FMT---42
1248--FMT---42
1249-- M ---70
1250-- I ---65
1251-- N ---73
1252--CNT---47
1253-- a ---13
1254-- A ---62
1255--XFR---67
1256--CNT---47
1257-- A ---62
1258-- N ---73
1259-- G ---15
1260--FMT---42
1261--STP---41
1262--PNT---45
1263--XFR---67
1264-- X ---36
1265-- a ---13
1266--XTO---23
1267-- 6 ---06
1268-- 4 ---04
1269--XTO---23
1270-- 7 ---07
1271-- 4 ---04
1272--FMT---42
1273--FMT---42
1274-- a ---13
1275-- A ---62
1276--XFR---67
1277--CNT---47
1278-- A ---62
1279-- N ---73
1280-- G ---15
1281--CNT---47
1282-- I ---65
1283-- N ---73
1284-- C ---61
1285--FMT---42
1286--STP---41
1287--PNT---45
1288--XFR---67
1289-- X ---36
1290-- a ---13
1291--XTO---23
1292-- 6 ---06
1293-- 5 ---05
1294--FMT---42
1295--FMT---42

1296-- M ---70
1297-- A ---62
1298-- YE---24
1299--CNT---47
1300-- a ---13
1301-- A ---62
1302--XFR---67
1303--CNT---47
1304-- A ---62
1305-- N ---73
1306-- G ---15
1307--FMT---42
1308--STP---41
1309--PNT---45
1310--XFR---67
1311-- X ---36
1312-- a ---13
1313--XTO---23
1314-- 6 ---06
1315-- 6 ---06
1316--FMT---42
1317-- 1 ---31
1318-- 8 ---10
1319-- 0 ---00
1320--CLX---37
1321-- 3 ---03
1322--EEX---26
1323-- 5 ---05
1324-- UP---27
1325--CHS---32
1326-- 5 ---05
1327--EEX---26
1328-- 4 ---04
1329--FMT---42
1330-- 1 ---01
1331-- 2 ---02
1332-- 2 ---02
1333-- 5 ---05
1334-- 0 ---00
1335-- 0 ---00
1336-- UP---27
1337--CHS---32
1338-- 2 ---02
1339--EEX---26
1340-- 4 ---04
1341--FMT---42
1342-- 1 ---01
1343-- 3 ---03
1344--CLX---37
1345-- UP---27
1346--FMT---42
1347-- 1 ---01
1348-- UP---27
1349-- 3 ---03

1350--EEX---26
1351-- 4 ---04
1352--FMT---42
1353-- 1 ---01
1354-- 5 ---05
1355-- 5 ---05
1356-- 0 ---00
1357-- 0 ---00
1358--FMT---42
1359-- 1 ---01
1360-- 6 ---06
1361-- . ---21
1362-- 1 ---01
1363-- 0 ---00
1364--FMT---42
1365-- 1 ---01
1366-- 1 ---01
1367-- 1 ---01
1368-- 2 ---02
1369-- 7 ---07
1370-- 5 ---05
1371-- UP---27
1372-- 1 ---01
1373-- 2 ---02
1374--EEX---26
1375-- 4 ---04
1376--FMT---42
1377-- 1 ---01
1378-- UP---27
1379--FMT---42
1380-- 1 ---01
1381--FMT---42
1382-- a ---13
1383-- A ---62
1384-- H ---73
1385-- G ---15
1386-- E ---60
1387--CNT---47
1388--X<Y---52
1389-- H ---73
1390-- M ---70
1391--PSE---57
1392--FMT---42
1393-- 5 ---05
1394-- 5 ---05
1395-- 5 ---05
1396--EEX---26
1397-- 2 ---02
1398--XTO---23
1399-- a ---13
1400-- 1 ---01
1401-- 0 ---00
1402--XTO---23
1403-- 6 ---14

1404-- 3 ---03
1405-- 0 ---00
1406-- 0 ---00
1407-- UP---27
1408-- a ---13
1409--FMT---42
1410-- 1 ---01
1411-- UP---27
1412-- b ---14
1413--FMT---42
1414-- 1 ---01
1415--PNT---45
1416-- 6 ---06
1417--EEX---26
1418-- 4 ---04
1419--XTO---23
1420-- + ---33
1421-- a ---13
1422-- 1 ---01
1423-- 0 ---00
1424--XTO---23
1425-- + ---33
1426-- b ---14
1427-- b ---14
1428-- UP---27
1429-- 5 ---05
1430-- 0 ---00
1431--X>Y---53
1432-- 1 ---01
1433-- 4 ---04
1434-- 0 ---00
1435-- 4 ---04
1436--FMT---42
1437-- 1 ---01
1438-- 9 ---11
1439--CHS---32
1440-- 1 ---01
1441-- 2 ---02
1442--EEX---26
1443-- 3 ---03
1444-- UP---27
1445--CHS---32
1446-- 3 ---03
1447-- 5 ---05
1448--EEX---26
1449-- 3 ---03
1450--FMT---42
1451-- 1 ---01
1452-- UP---27
1453--FMT---42
1454-- 1 ---01
1455--FMT---42
1456-- D ---63
1457-- E ---60

1458-- r ---56
1459--XTO---23
1460-- H ---74
1461--CNT---47
1462--X<Y---52
1463-- F ---16
1464--XTO---23
1465--CNT---47
1466-- YE---24
1467--CNT---47
1468-- 1 ---01
1469-- 0 ---00
1470-- 0 ---00
1471--PSE---57
1472--FMT---42
1473--FMT---42
1474-- 1 ---01
1475-- 9 ---11
1476-- 2 ---02
1477-- 6 ---06
1478-- 0 ---00
1479-- 0 ---00
1480--CHS---32
1481--XTO---23
1482-- a ---13
1483-- 2 ---02
1484-- 5 ---05
1485--XTO---23
1486-- b ---14
1487-- a ---13
1488-- UP---27
1489--CHS---32
1490-- 2 ---02
1491-- 5 ---05
1492--EEX---26
1493-- 3 ---03
1494--FMT---42
1495-- 1 ---01
1496-- UP---27
1497-- b ---14
1498--FMT---42
1499-- 1 ---01
1500--PNT---45
1501-- 2 ---02
1502-- 5 ---05
1503-- 0 ---00
1504-- 0 ---00
1505--XTO---23
1506-- - ---34
1507-- a ---13
1508-- 2 ---02
1509-- 5 ---05
1510--XTO---23
1511-- + ---33

1512-- b ---14
1513-- b ---14
1514-- UP---27
1515-- 2 ---02
1516--EEX---26
1517-- 2 ---02
1518--X>Y---53
1519-- 1 ---01
1520-- 4 ---04
1521-- 8 ---10
1522-- 7 ---07
1523-- 2 ---02
1524-- UP---27
1525--XFR---67
1526-- 6 ---06
1527-- 0 ---00
1528--X=Y---50
1529-- 1 ---01
1530-- 9 ---11
1531-- 5 ---05
1532-- 1 ---01
1533--XFR---67
1534-- 1 ---01
1535-- 8 ---10
1536-- UP---27
1537--XFR---67
1538-- 2 ---02
1539-- 2 ---02
1540--X>Y---53
1541-- 1 ---01
1542-- 5 ---05
1543-- 5 ---05
1544-- 0 ---00
1545--GTO---44
1546-- 1 ---01
1547-- 2 ---02
1548-- 2 ---02
1549-- 7 ---07
1550-- 1 ---01
1551-- 8 ---10
1552--XTO---23
1553-- a ---13
1554-- 1 ---01
1555--XTO---23
1556-- + ---33
1557-- a ---13
1558--XFR---67
1559--IND---31
1560-- a ---13
1561-- UP---27
1562--CLX---37
1563--X=Y---50
1564-- 1 ---01
1565-- 2 ---02

1566-- 2 ---02
1567-- 7 ---07
1568--XFR---67
1569-- 1 ---01
1570-- 8 ---10
1571--X>Y---53
1572-- 1 ---01
1573-- 5 ---05
1574-- 9 ---11
1575-- 0 ---00
1576-- a ---13
1577-- UP---27
1578-- 2 ---02
1579-- 1 ---01
1580--X=Y---50
1581-- 1 ---01
1582-- 2 ---02
1583-- 2 ---02
1584-- 7 ---07
1585--GTO---44
1586-- 1 ---01
1587-- 5 ---05
1588-- 5 ---05
1589-- 4 ---04
1590--GTO---44
1591--S/R---77
1592-- 1 ---01
1593-- 6 ---06
1594-- 0 ---00
1595-- 1 ---01
1596--GTO---44
1597-- 1 ---01
1598-- 7 ---07
1599-- 0 ---00
1600-- 7 ---07
1601--CNT---47
1602-- 2 ---02
1603-- 6 ---06
1604--XTO---23
1605-- a ---13
1606-- 2 ---02
1607--XTO---23
1608-- + ---33
1609-- a ---13
1610--XFR---67
1611--IND---31
1612-- a ---13
1613-- UP---27
1614--XFR---67
1615-- 4 ---04
1616--X<Y---52
1617-- 1 ---01
1618-- 6 ---06
1619-- 2 ---02

1620-- 6 ---06
1621--GTO---44
1622-- 1 ---01
1623-- 6 ---06
1624-- 0 ---00
1625-- 6 ---06
1626--XFR---67
1627--IND---31
1628-- a ---13
1629-- UP---27
1630-- 2 ---02
1631--XTO---23
1632-- - ---34
1633-- a ---13
1634--XFR---67
1635--IND---31
1636-- a ---13
1637-- - ---34
1638-- UP---27
1639--XFR---67
1640-- 4 ---04
1641--XEY---30
1642-- - ---34
1643--YTO---40
1644-- 3 ---03
1645-- DN---25
1646-- 1 ---01
1647--XTO---23
1648-- + ---33
1649-- a ---13
1650--XFR---67
1651--IND---31
1652-- a ---13
1653-- UP---27
1654-- 2 ---02
1655--XTO---23
1656-- + ---33
1657-- a ---13
1658--XFR---67
1659--IND---31
1660-- a ---13
1661--XEY---30
1662-- - ---34
1663--RUP---22
1664--RUP---22
1665--XEY---30
1666--DIV---35
1667--XFR---67
1668-- 3 ---03
1669-- X ---36
1670-- DN---25
1671-- + ---33
1672--YTO---40
1673-- 5 ---05

1674--XFR---67
1675-- 1 ---01
1676-- 8 ---10
1677-- UP---27
1678-- DN---25
1679--DIV---35
1680-- 2 ---02
1681--CHS---32
1682-- X ---36
1683--CHS---32
1684-- + ---33
1685-- DN---25
1686-- r ---76
1687--XTO---23
1688-- 6 ---06
1689-- 8 ---10
1690--XFR---67
1691-- 2 ---02
1692-- 2 ---02
1693--DIV---35
1694-- 2 ---02
1695--CHS---32
1696-- X ---36
1697--CHS---32
1698-- + ---33
1699-- G ---15
1700-- DN---25
1701-- r ---76
1702--XTO---23
1703-- 6 ---06
1704-- 7 ---07
1705--CNT---47
1706--S/R---77
1707--XFR---67
1708-- 6 ---06
1709-- 0 ---00
1710-- UP---27
1711-- 2 ---02
1712--X=Y---50
1713-- 1 ---01
1714-- 9 ---11
1715-- 5 ---05
1716-- 1 ---01
1717--XFR---67
1718-- 6 ---06
1719-- 7 ---07
1720--XTO---23
1721-- 6 ---06
1722-- 4 ---04
1723--GTO---44
1724--S/R---77
1725-- 8 ---10
1726-- 9 ---11
1727-- 1 ---01

1728--XFR---67
1729-- 7 ---07
1730-- 2 ---02
1731-- UP---27
1732--XFR---67
1733--IND---31
1734-- a ---13
1735--X=Y---52
1736-- 1 ---01
1737-- 7 ---07
1738-- 6 ---06
1739-- i ---01
1740--IFG---43
1741-- 1 ---01
1742-- 7 ---07
1743-- 7 ---07
1744-- 8 ---10
1745--CLX---37
1746--XTO---23
1747-- 5 ---05
1748-- 9 ---11
1749--XFR---67
1750-- 6 ---06
1751-- 3 ---03
1752--XTO---23
1753-- + ---33
1754-- 6 ---06
1755-- 4 ---04
1756--GTO---44
1757-- 1 ---01
1758-- 7 ---07
1759-- 2 ---02
1760-- 3 ---03
1761-- 1 ---01
1762--XTO---23
1763-- 5 ---05
1764-- 9 ---11
1765--XFR---67
1766-- 6 ---06
1767-- 2 ---02
1768--XTO---23
1769-- - ---34
1770-- 6 ---06
1771-- 4 ---04
1772--SFL---54
1773--GTO---44
1774-- 1 ---01
1775-- 7 ---07
1776-- 2 ---02
1777-- 3 ---03
1778--XFR---67
1779-- 6 ---06
1780-- 4 ---04
1781--XTO---23

1782-- 7 ---07
1783--WFR---67
1784-- 7 ---07
1785-- 1 ---01
1786--WTO---23
1787-- 9 ---11
1788-- UP---27
1789-- 1 ---01
1790--WTO---23
1791-- 2 ---02
1792-- 6 ---06
1793--CLX---37
1794--WTO---23
1795-- 5 ---05
1796-- 9 ---11
1797--GTO---44
1798--S/R---77
1799-- 8 ---10
1800-- 9 ---11
1801-- 1 ---01
1802--WFR---67
1803-- 6 ---06
1804-- 8 ---10
1805--WTO---23
1806-- 6 ---06
1807-- 4 ---04
1808--GTO---44
1809--S/R---77
1810-- 8 ---10
1811-- 9 ---11
1812-- 1 ---01
1813--WFR---67
1814-- 9 ---11
1815-- UP---27
1816-- 2 ---02
1817--DIV---35
1818--WFR---67
1819-- 7 ---07
1820-- 1 ---01
1821--WY---53
1822-- 1 ---01
1823-- 8 ---10
1824-- 4 ---04
1825-- 8 ---10
1826--WFR---67
1827-- 6 ---06
1828-- 2 ---02
1829--WTO---23
1830-- + ---33
1831-- 6 ---06
1832-- 4 ---04
1833--CHT---47
1834-- 1 ---01
1835--WTO---23

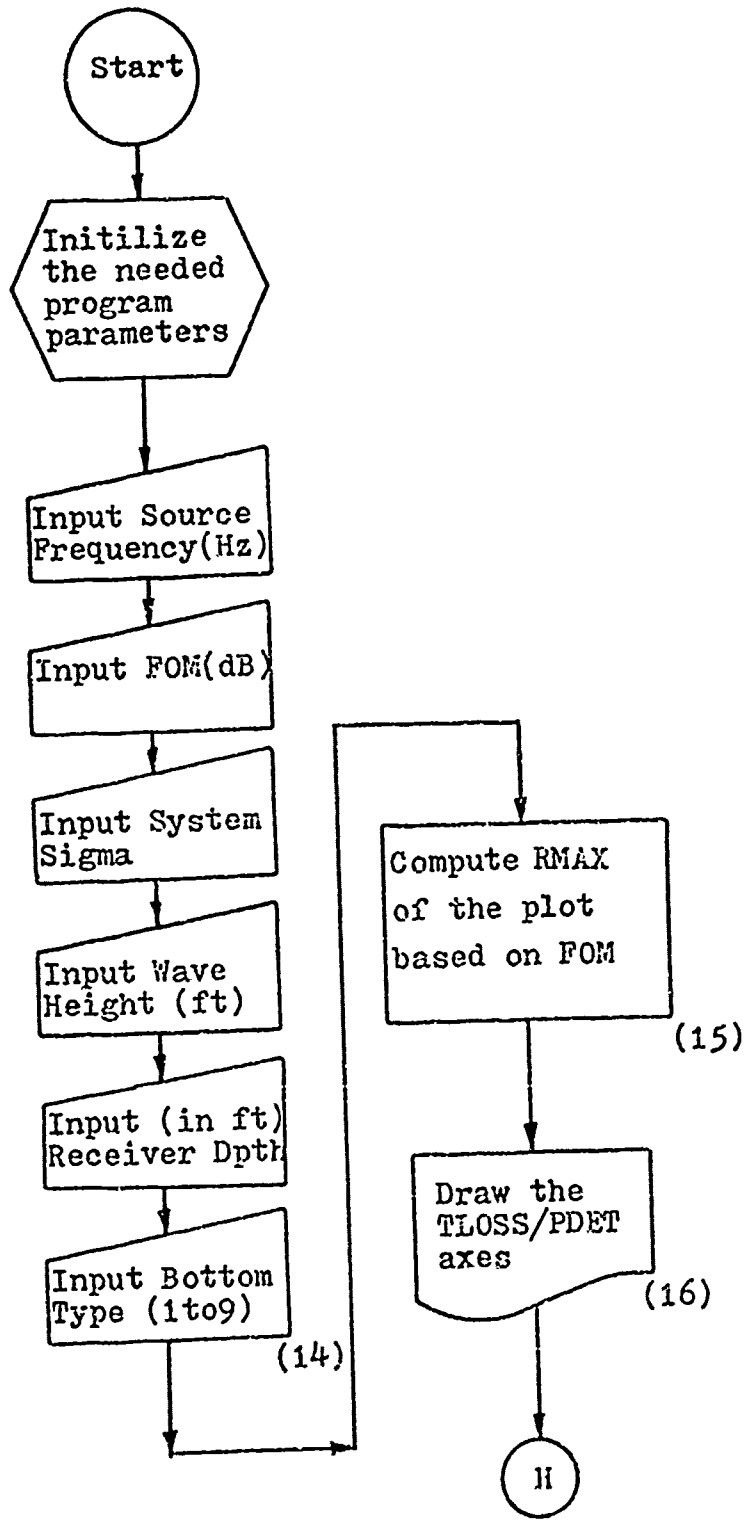
1836-- 5 ---05
1837-- 9 ---11
1838--GTO---44
1839--S/R---77
1840-- 8 ---10
1841-- 9 ---11
1842-- 1 ---01
1843--GTO---44
1844-- 1 ---01
1845-- 8 ---10
1846-- 1 ---01
1847-- 3 ---03
1848--WFR---67
1849-- 9 ---11
1850-- UP---27
1851--WFR---67
1852-- 7 ---07
1853-- 1 ---01
1854--WY---53
1855--WTO---23
1856-- 9 ---11
1857--CHT---47
1858--CHT---47
1859--WTO---23
1860-- 8 ---10
1861--WFR---67
1862-- 6 ---06
1863-- 3 ---03
1864--WTO---23
1865-- + ---33
1866-- 6 ---06
1867-- 4 ---04
1868--CLX---37
1869--WTO---23
1870-- 5 ---05
1871-- 9 ---11
1872--GTO---44
1873--S/R---77
1874-- 8 ---10
1875-- 9 ---11
1876-- 1 ---01
1877--WFR---67
1878-- 8 ---10
1879-- UP---27
1880--WFR---67
1881-- 7 ---07
1882-- 1 ---01
1883--WY---53
1884-- 1 ---01
1885-- 8 ---10
1886-- 5 ---05
1887-- 9 ---11
1888--WFR---67
1889-- 6 ---06

1890-- 3 ---03
1891--WTO---23
1892-- - ---34
1893-- 6 ---06
1894-- 4 ---04
1895--WFR---67
1896-- 6 ---06
1897-- 2 ---02
1898--WTO---23
1899-- + ---33
1900-- 6 ---06
1901-- 4 ---04
1902--CHT---47
1903-- 1 ---01
1904--WTO---23
1905-- 5 ---05
1906-- 9 ---11
1907--GTO---44
1908--S/R---77
1909-- 8 ---10
1910-- 9 ---11
1911-- 1 ---01
1912--WFR---67
1913-- 8 ---10
1914-- UP---27
1915--WFR---67
1916-- 7 ---07
1917-- 1 ---01
1918--WY---53
1919-- 1 ---01
1920-- 9 ---11
1921-- 3 ---03
1922-- 0 ---00
1923--WTO---23
1924-- 8 ---10
1925--GTO---44
1926-- 1 ---01
1927-- 8 ---10
1928-- 9 ---11
1929-- 5 ---05
1930--CLX---37
1931--WTO---23
1932-- 5 ---05
1933-- 9 ---11
1934--WFR---67
1935-- 6 ---06
1936-- 2 ---02
1937--WTO---23
1938-- - ---34
1939-- 6 ---06
1940-- 4 ---04
1941--GTO---44
1942--S/R---77
1943-- 8 ---10

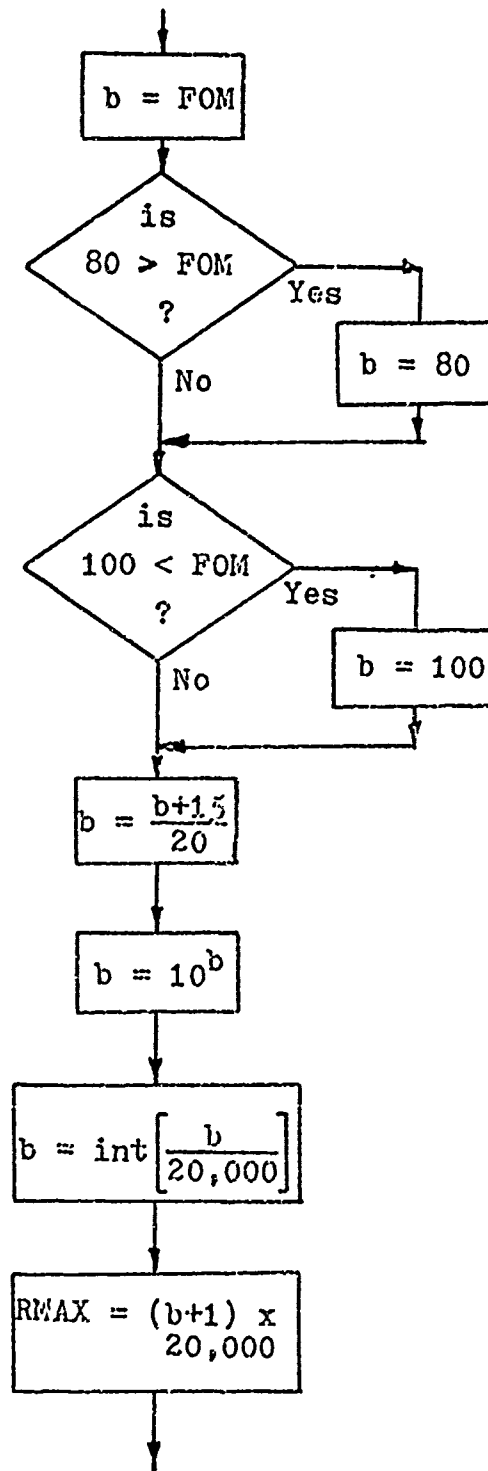
1944-- 9 ---11	1998--CLX---37
1945-- 1 ---01	1999-- UP---27
1946--GTO---44	2000-- 3 ---03
1947-- 1 ---01	2001--EEX---26
1948-- 9 ---11	2002-- 5 ---05
1949-- 9 ---11	2003--FMT---42
1950-- 4 ---04	2004-- 1 ---01
1951--IFG---43	2005-- UP---27
1952-- 1 ---01	2006-- 3 ---03
1953-- 9 ---11	2007--XTO---23
1954-- 9 ---11	2008--DIV---35
1955-- 4 ---04	2009-- 8 ---10
1956--GTO---44	2010--XTO---23
1957--S/R---77	2011--DIV---35
1958-- 8 ---10	2012-- 9 ---11
1959-- 9 ---11	2013--CLX---37
1960-- 1 ---01	2014--XTO---23
1961--XFR---67	2015-- 5 ---05
1962-- 6 ---06	2016-- 9 ---11
1963-- 6 ---06	2017--FMT---42
1964-- UP---27	2018--FMT---42
1965--XFR---67	2019--YTO---40
1966-- 6 ---06	2020-- E ---60
1967-- 4 ---04	2021-- E ---60
1968--XFR---67	2022--CNT---47
1969-- + ---33	2023-- H ---76
1970-- 6 ---06	2024-- 0 ---71
1971-- 5 ---05	2025--XTO---23
1972--XTO---23	2026-- E ---60
1973-- 6 ---06	2027--CNT---47
1974-- 4 ---04	2028-- 3 ---03
1975--X>Y---53	2029--CLR---20
1976-- 1 ---01	2030-- E ---60
1977-- 9 ---11	2031-- N ---73
1978-- 8 ---10	2032-- D ---63
1979-- 5 ---05	2033--FMT---42
1980--GTO---44	2034--END---46
1981-- 1 ---01	
1982-- 9 ---11	
1983-- 5 ---05	
1984-- 1 ---01	
1985-- 1 ---01	
1986--XTO---23	
1987-- 6 ---06	
1988-- 0 ---00	
1989--GTO---44	
1990-- 1 ---01	
1991-- 5 ---05	
1992-- 3 ---03	
1993-- 3 ---03	
1994-- 1 ---01	
1995--XTO---23	
1996-- 2 ---02	
1997-- 4 ---04	

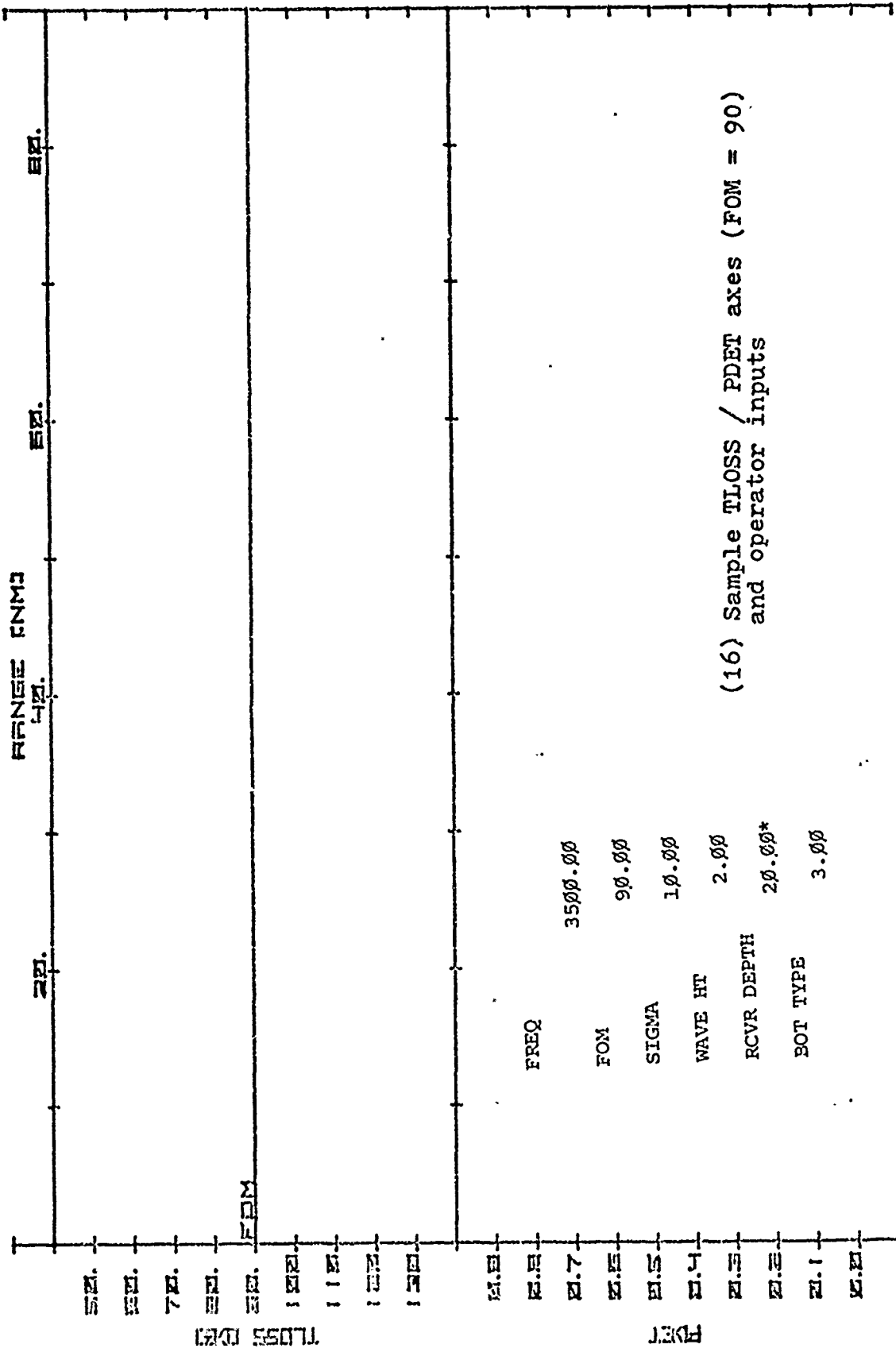
Transmission Loss / Probability of Detection Program
flow charts and sample outputs

TLOSS / PDET Program



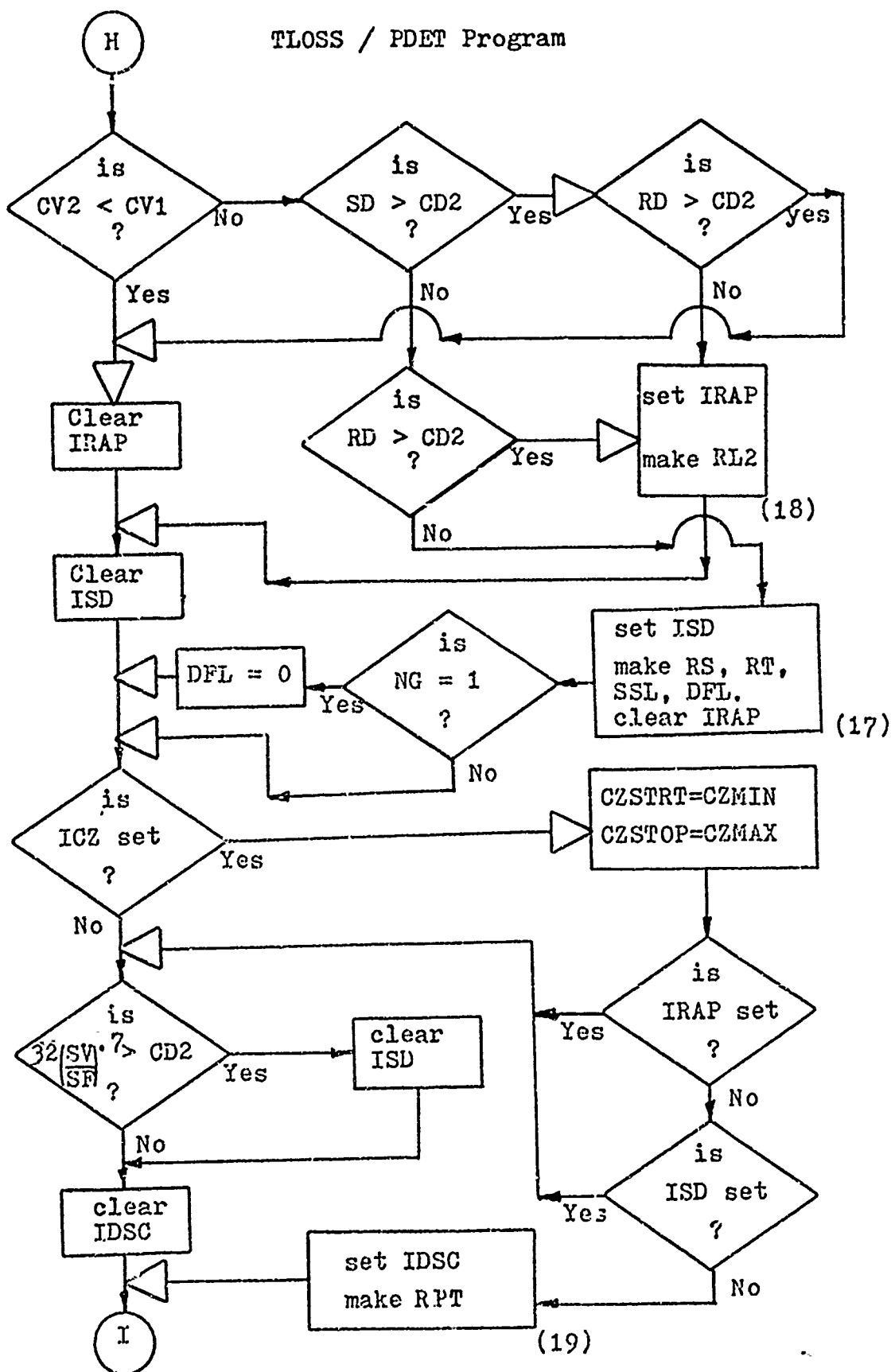
(15) RMAX Determination





(16) Sample TLOSS / PDET axes (FOM = 90)
and operator inputs

TLOSS / PDET Program



(17) Computation of RS, RT, SSL, DFL

$$RS = \frac{\arccos \left(\frac{CS(1)}{CS(2)} \right) \times (2CS(1) / 3) \times \left(\frac{CD(2) - CD(1)}{CS(2) - CS(1)} \right)}$$

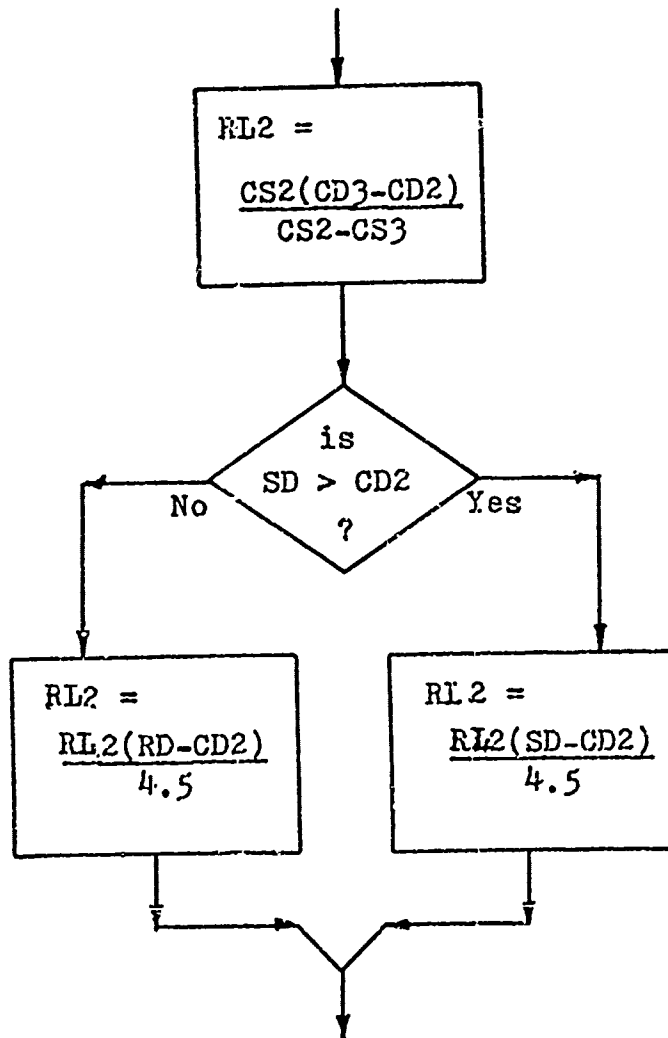
$$RS = \frac{CD(2)}{6 \arccos \frac{SV}{CS(2)}}$$

$$SSL = \frac{.8 \left(\frac{WH \times SF}{RS \times 1000} \right)^{.71}}$$

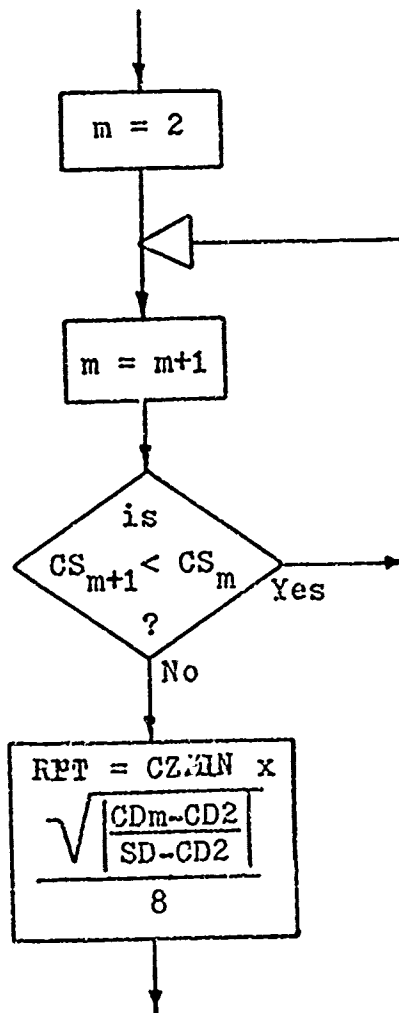
$$G = \frac{|CS(3) - CS(2)|}{|CD(3) - CD(2)|}$$

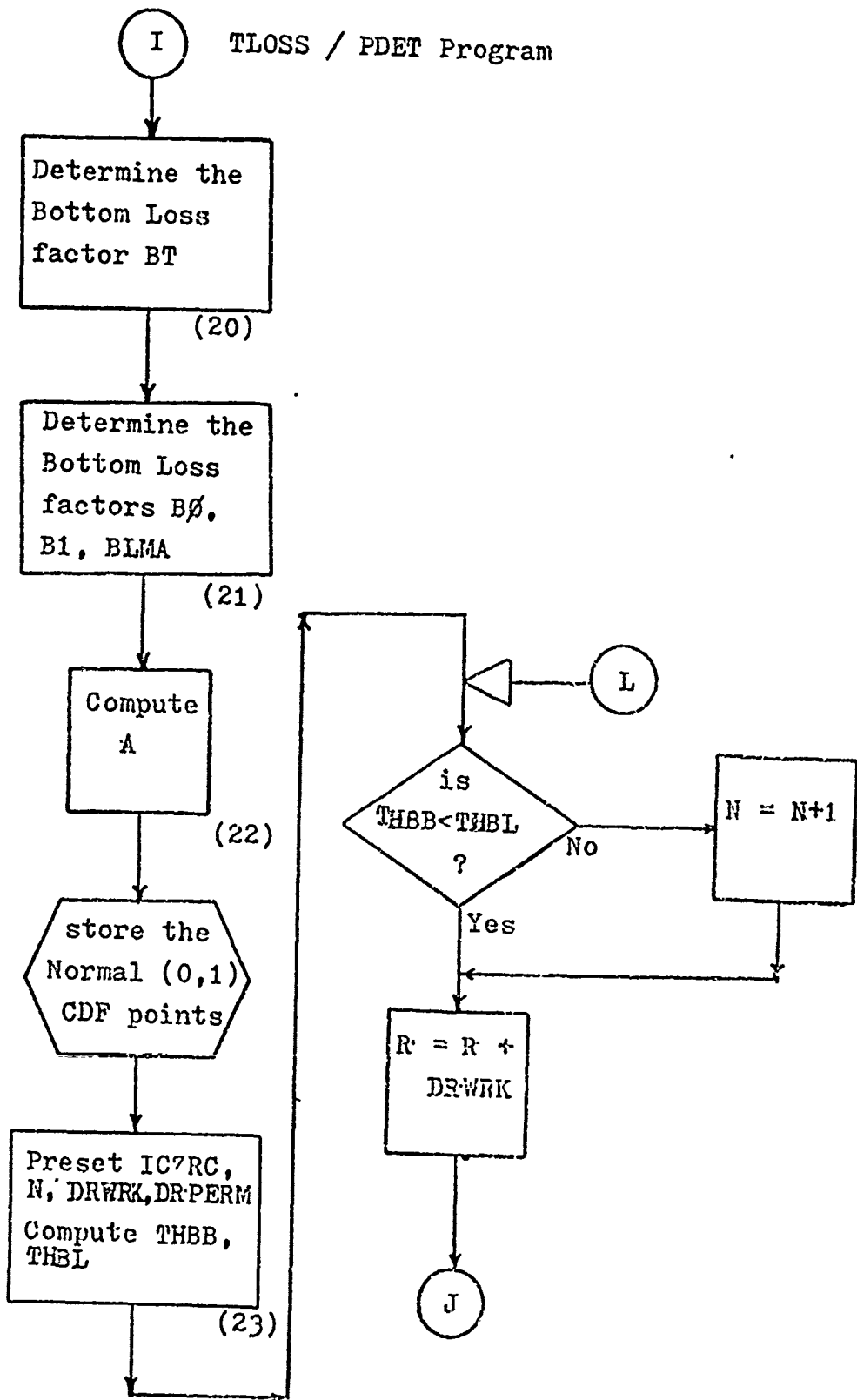
$$DFL = 744 \times \left(\frac{SF}{1000} \right)^{-5/3} \times G^{-1/3} \times CD(2)^{-3}$$

(18) Computation of RL2

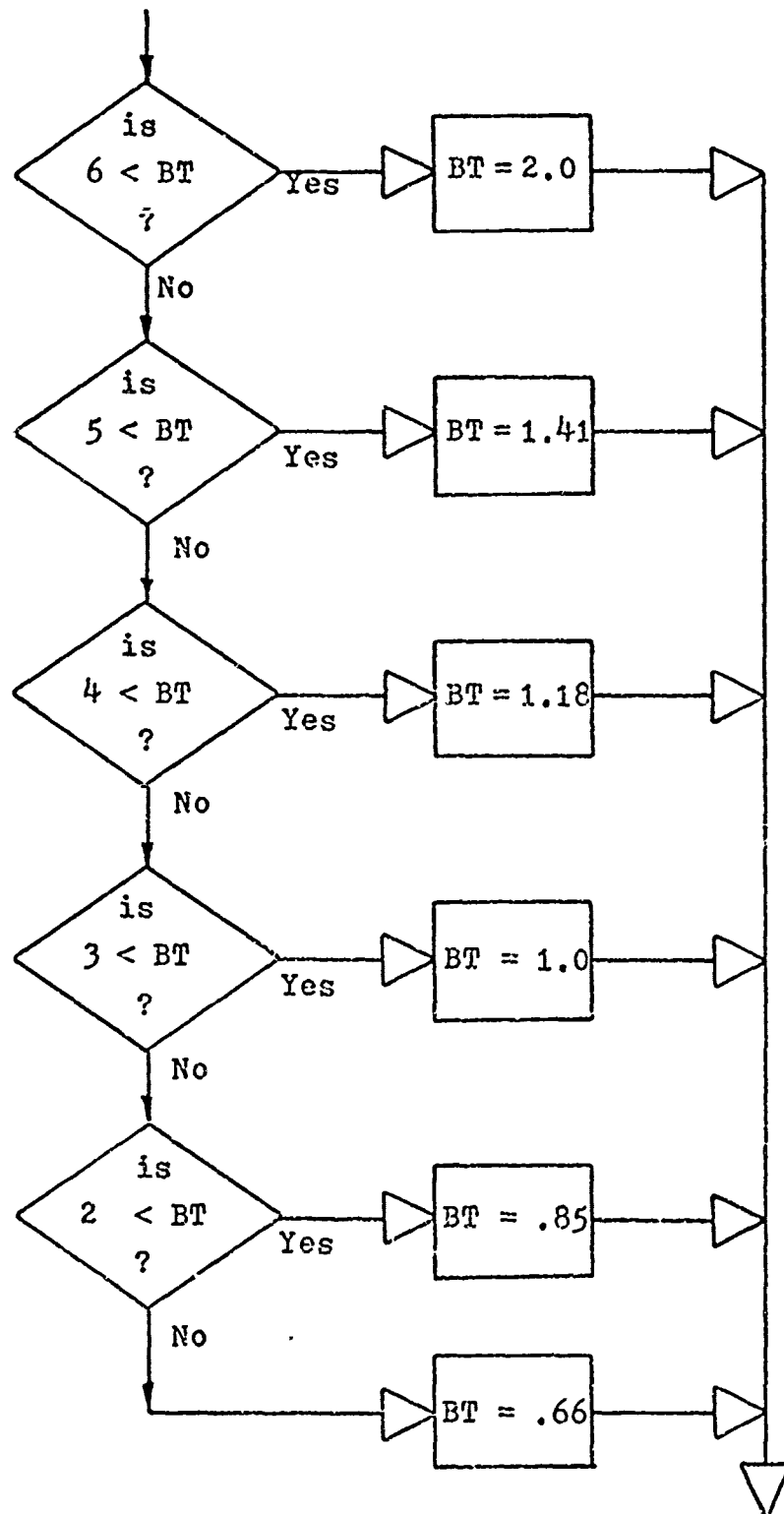


(19) Computation of RPT

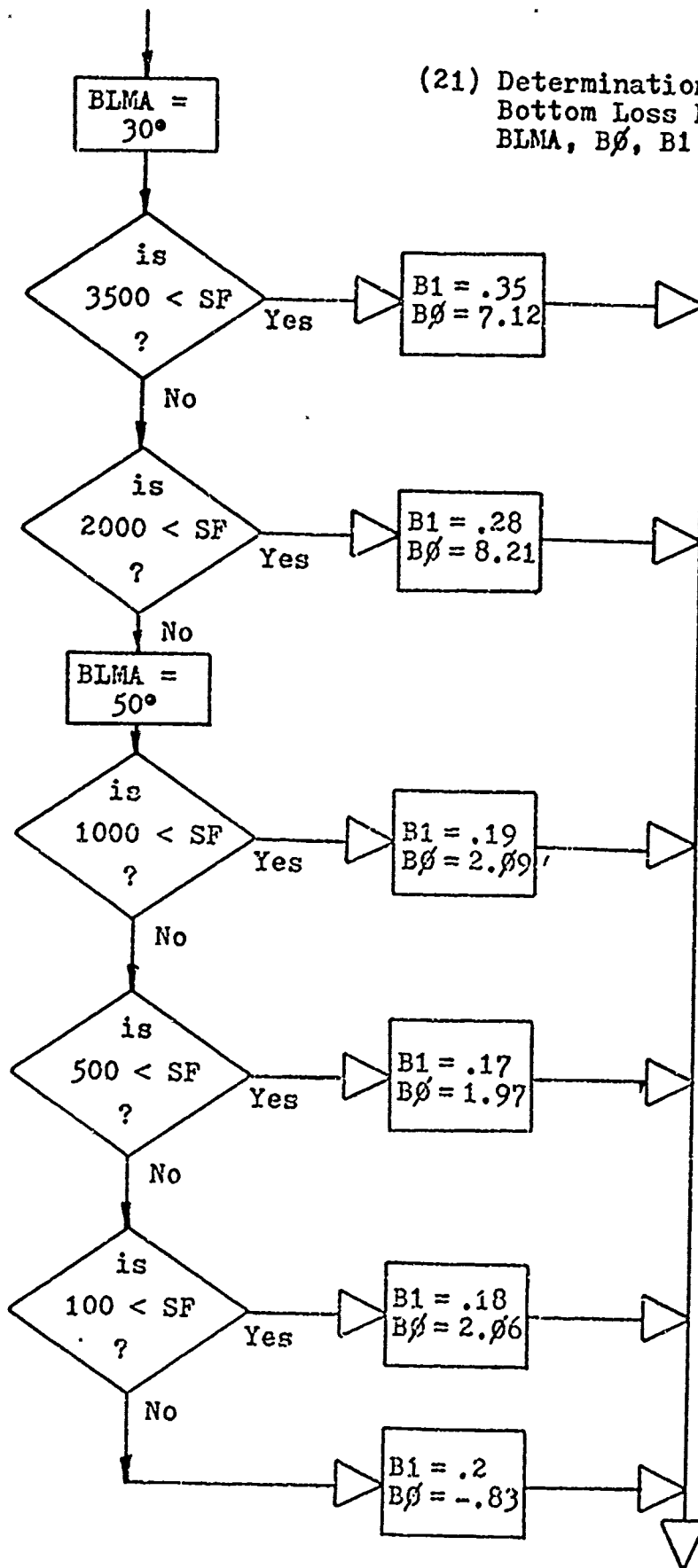




(20) Bottom Loss Factor BT Determination



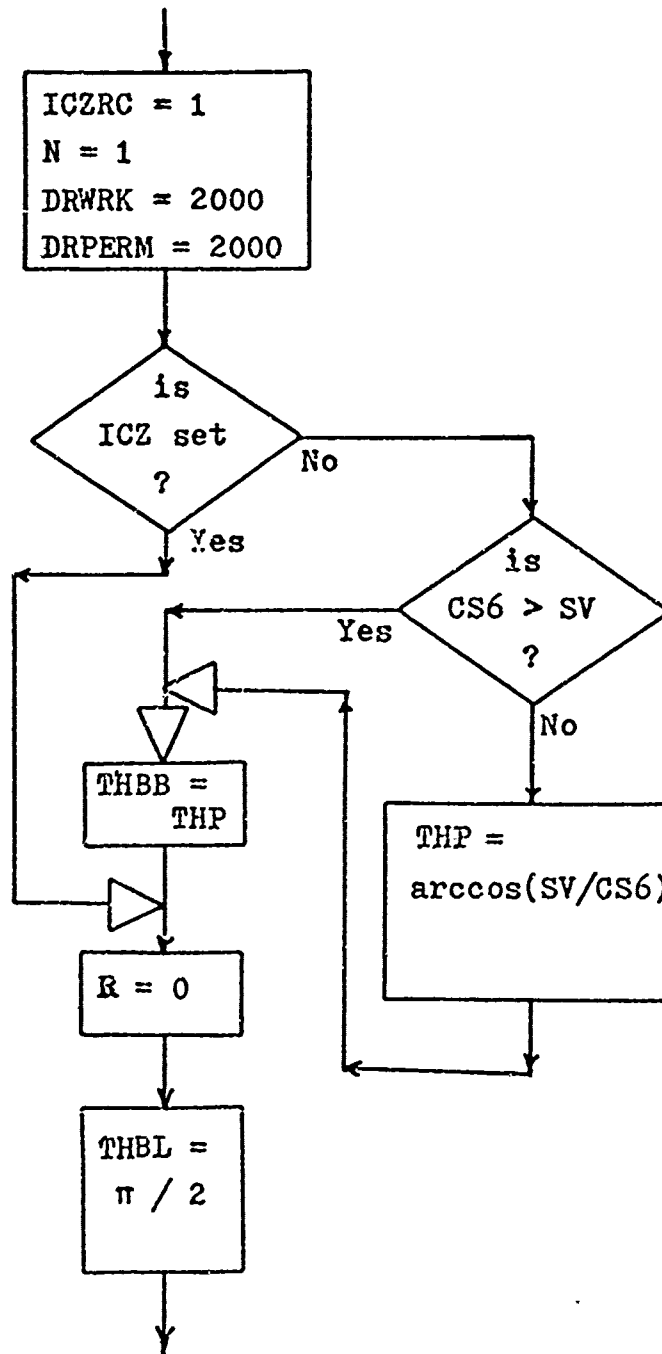
(21) Determination of
Bottom Loss Factors
BLMA, $B\phi$, B_1



(22) Computation of Absorption Coefficient (A)

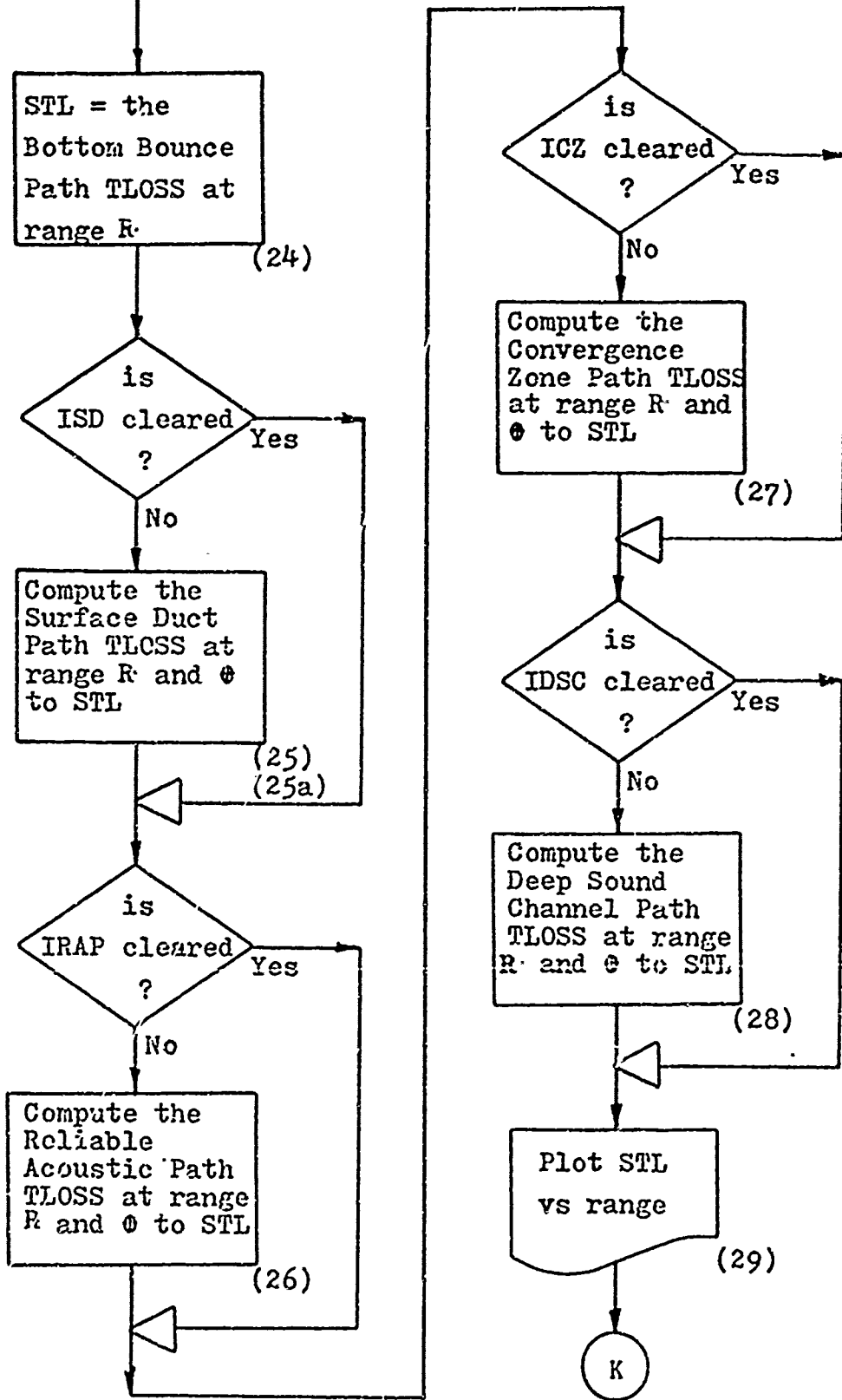
$$A = 1000 \left(\frac{.1(SF/1000)^2}{1+(SF/1000)^2} + \frac{40(SF/1000)^2}{4100+(SF/1000)^2} \right) \text{ dB/yd}$$

(23) Preset ICZRC, N, DRWRK, DRPERM
Compute THBB, THBL

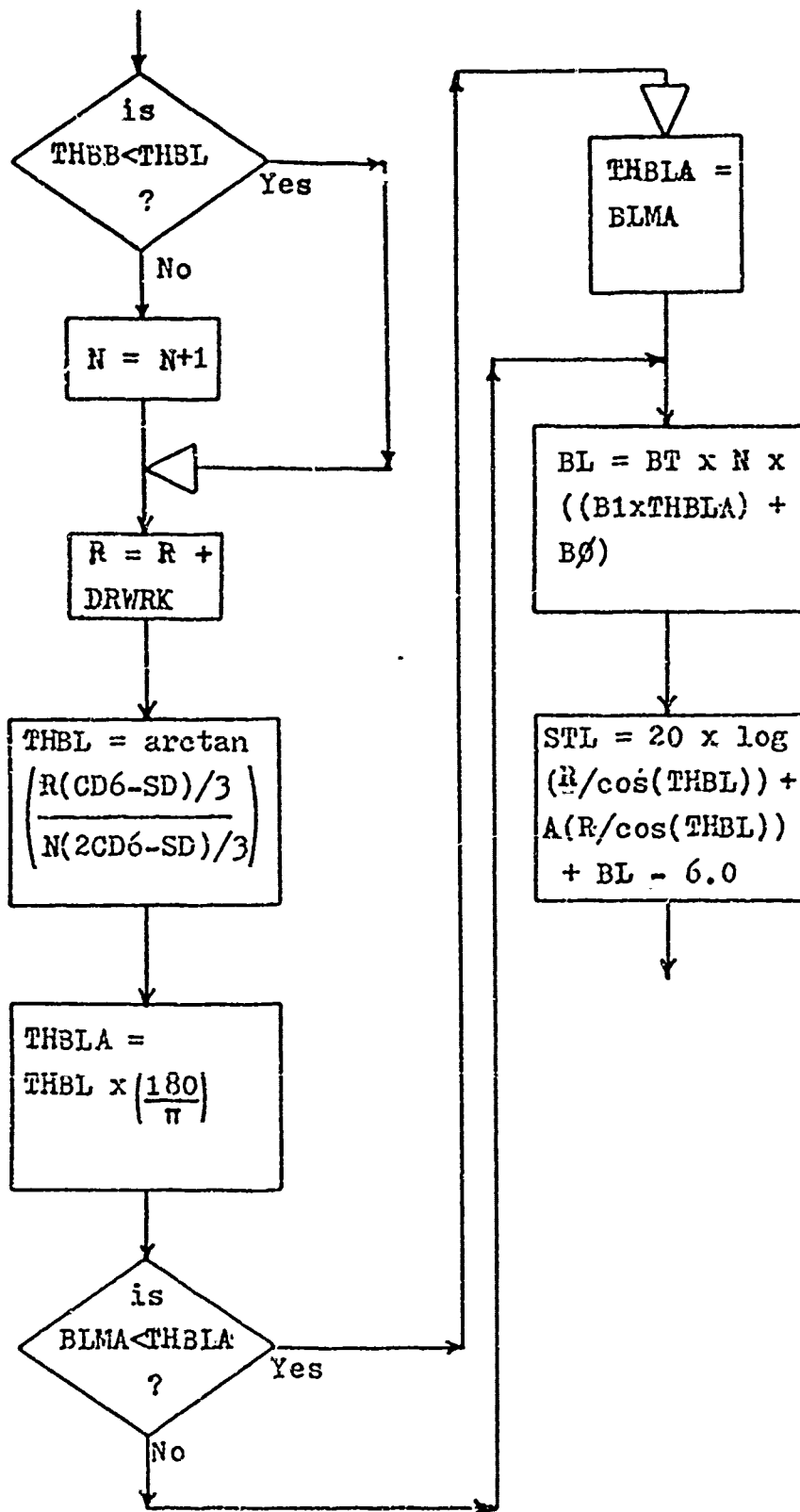


J

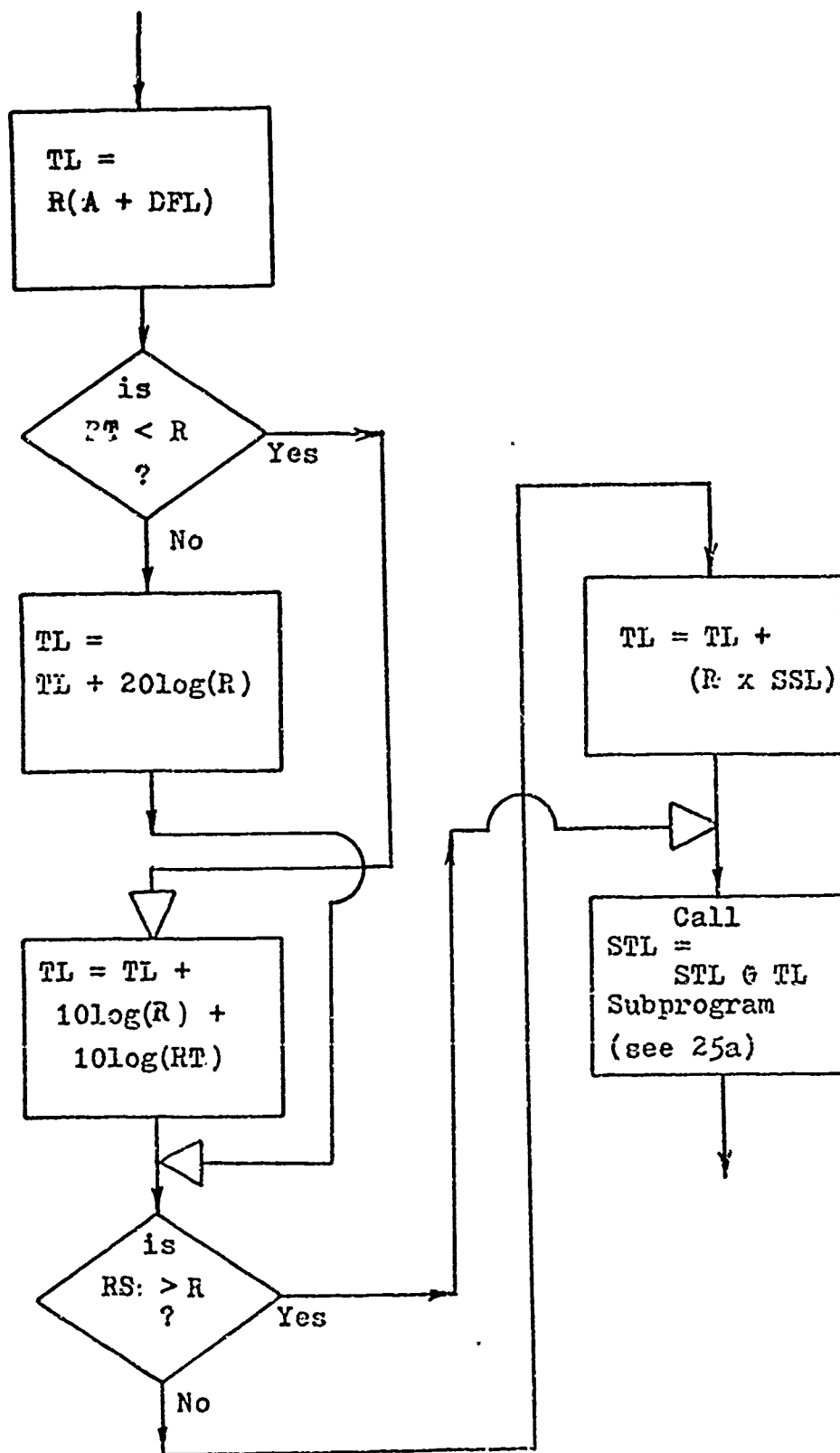
TLOSS / PDET Program



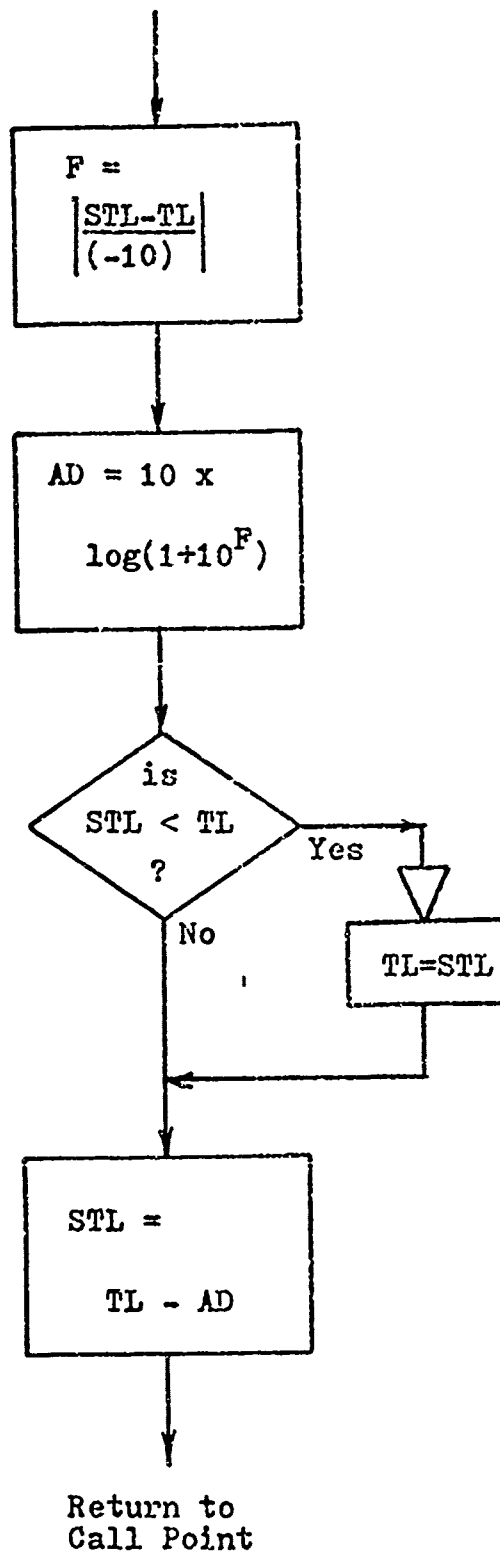
(24) Bottom Bounce Path TLOSS at Range R



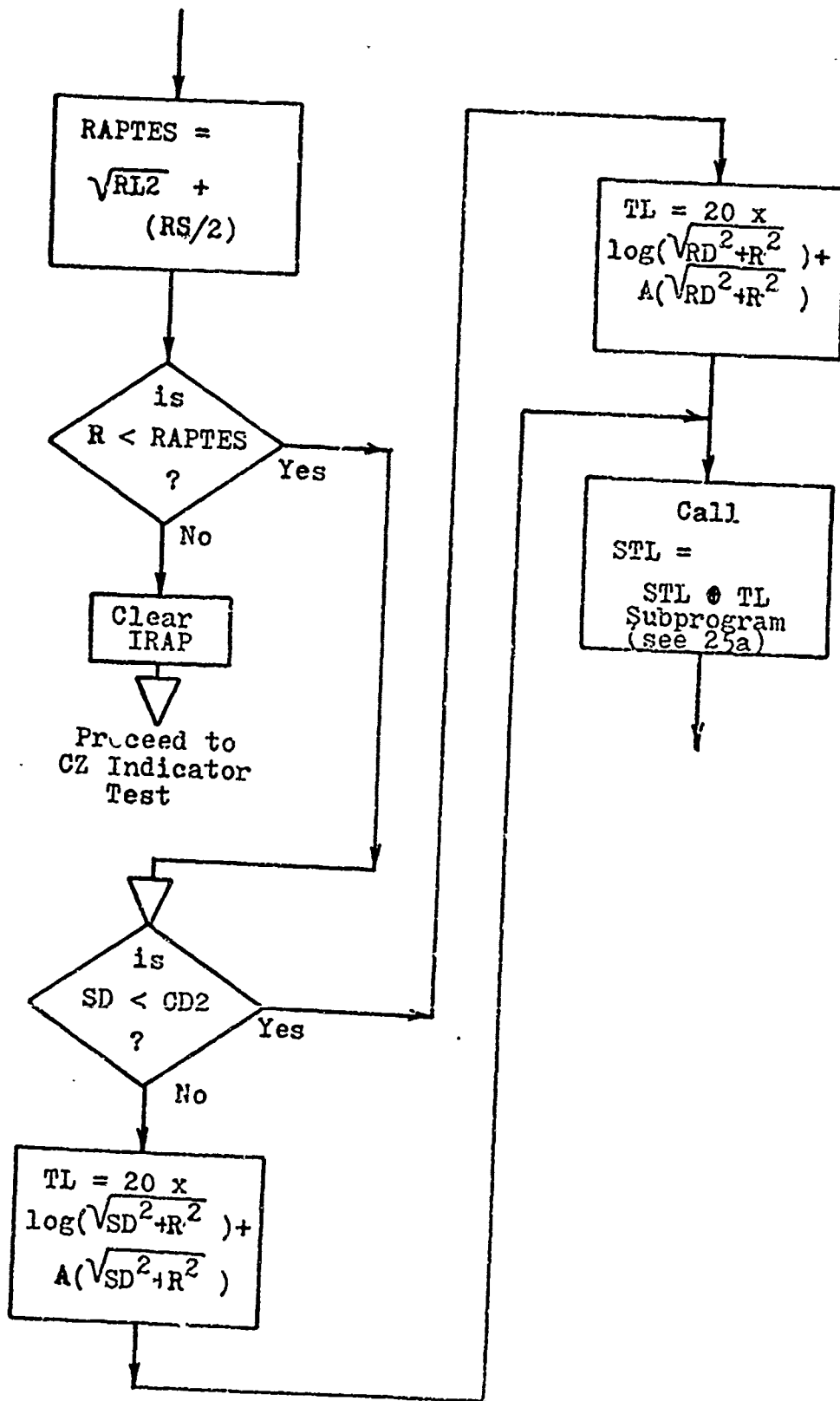
(25) Surface Duct Path TLOSS at Range R



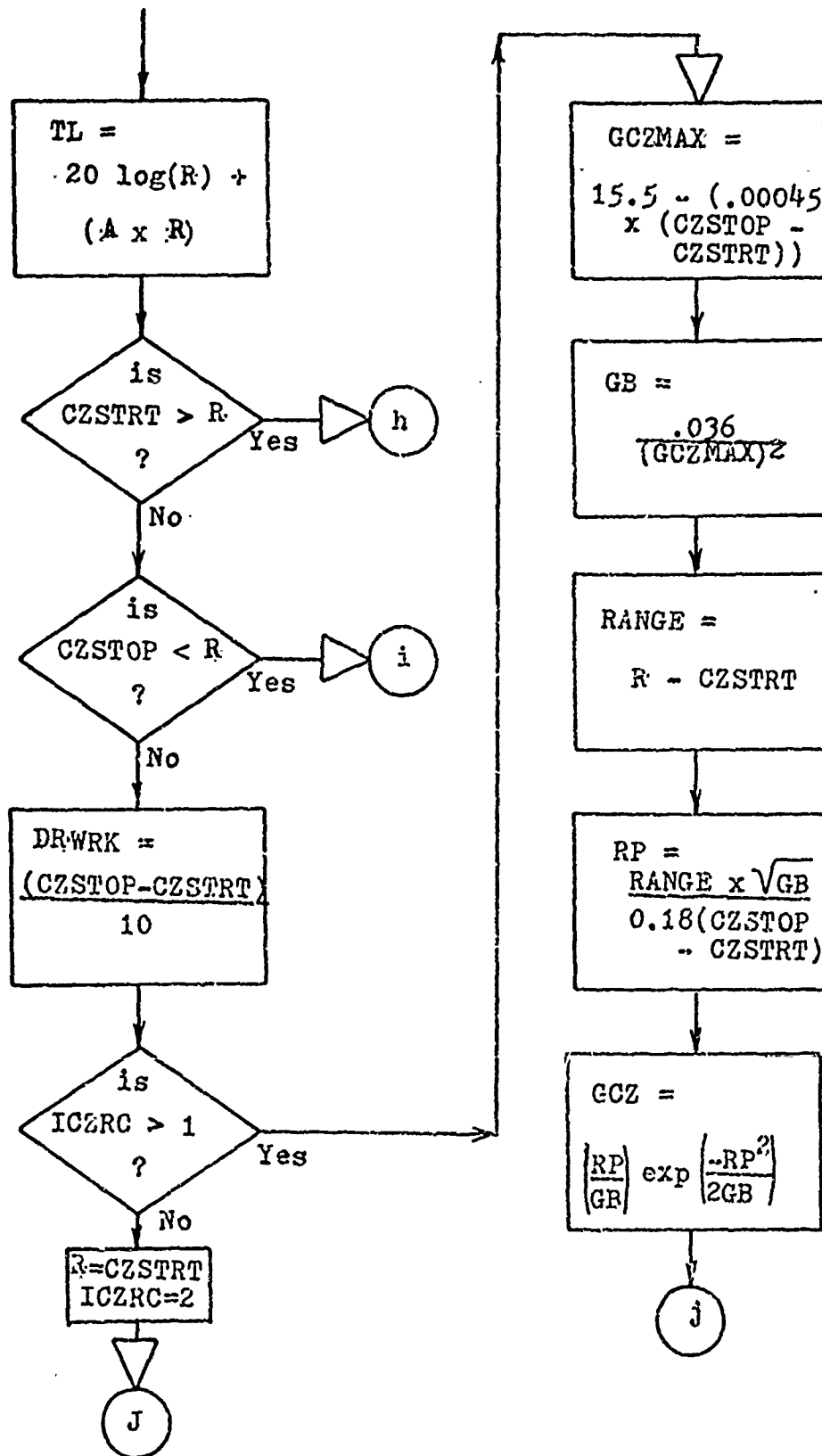
(25a) STL = STL • TL Subprogram



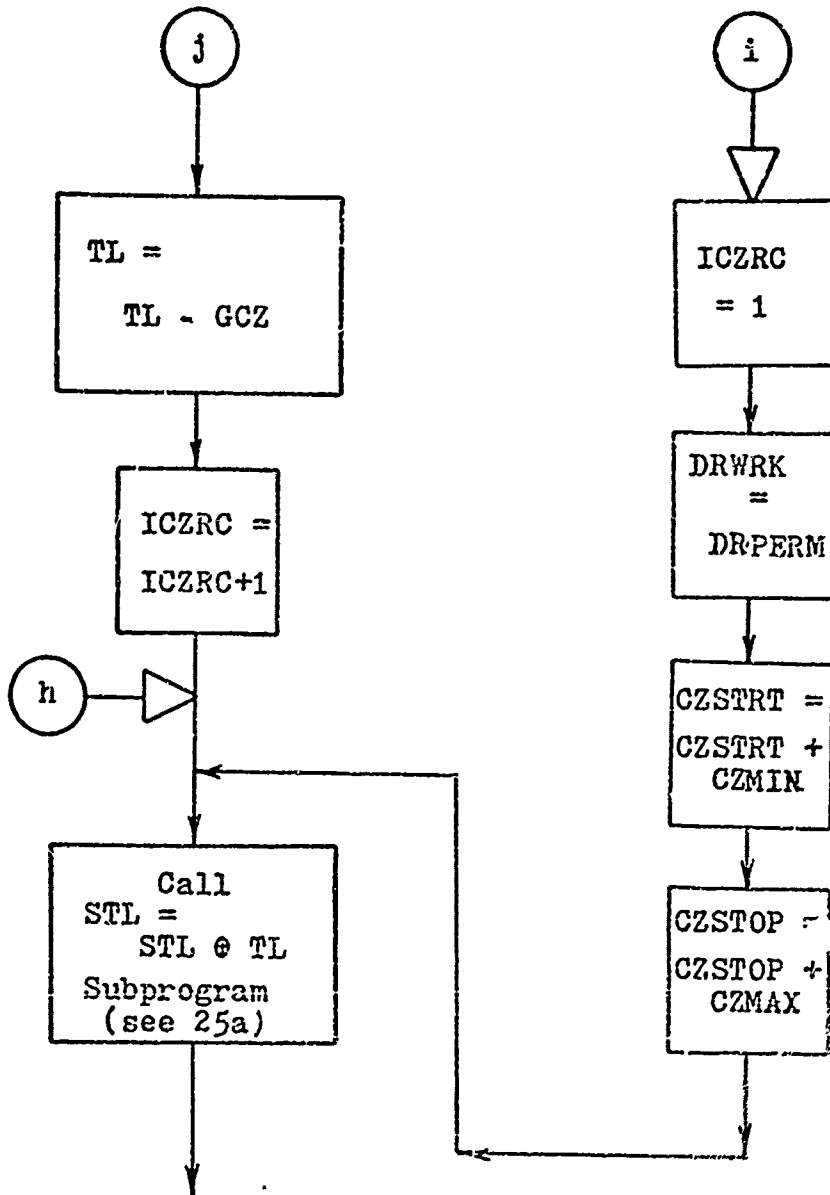
(26) Reliable Acoustic Path TLOSS at Range R



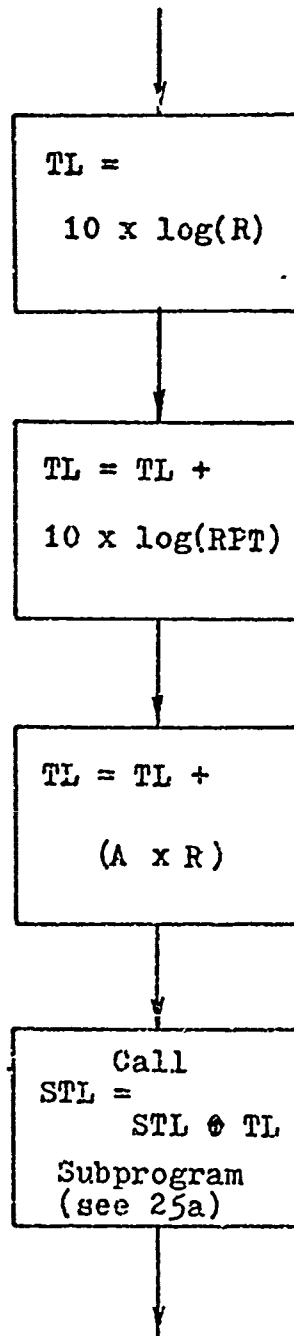
(27) Convergence Zone Path TLOSS at Range R



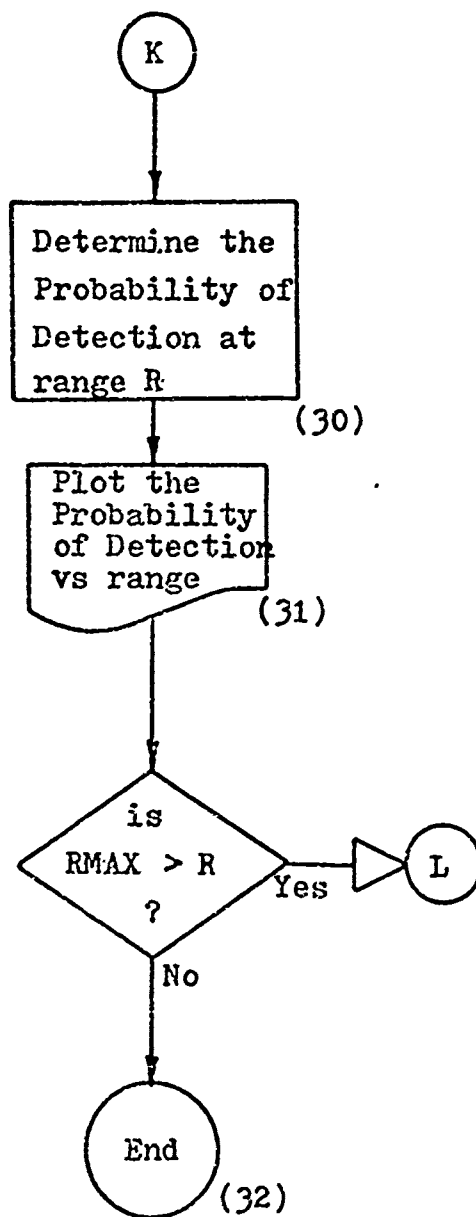
(27) Convergence Zone Path TLOSS at Range R



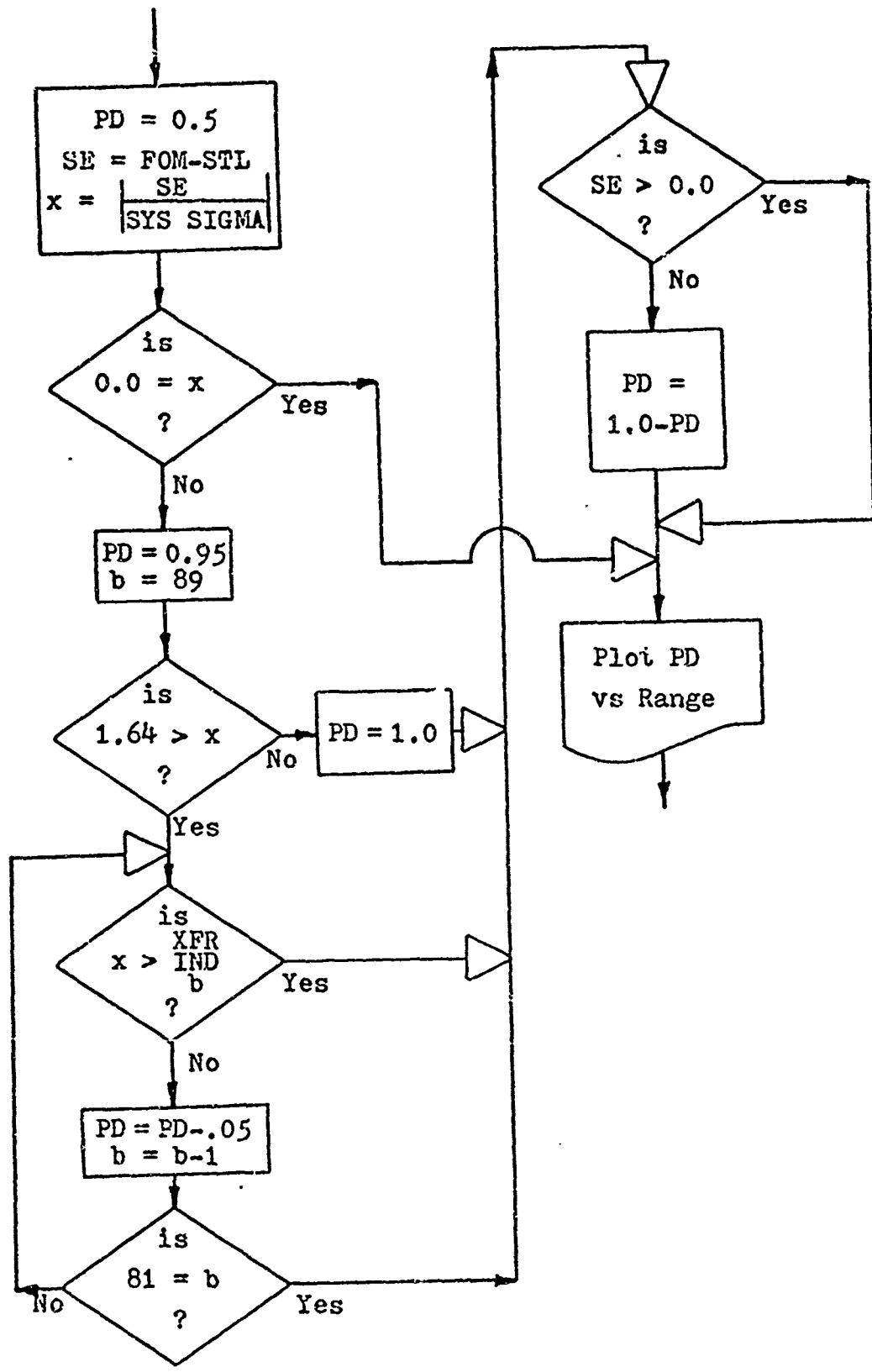
(28) Deep Sound Channel TLOSS at Range R

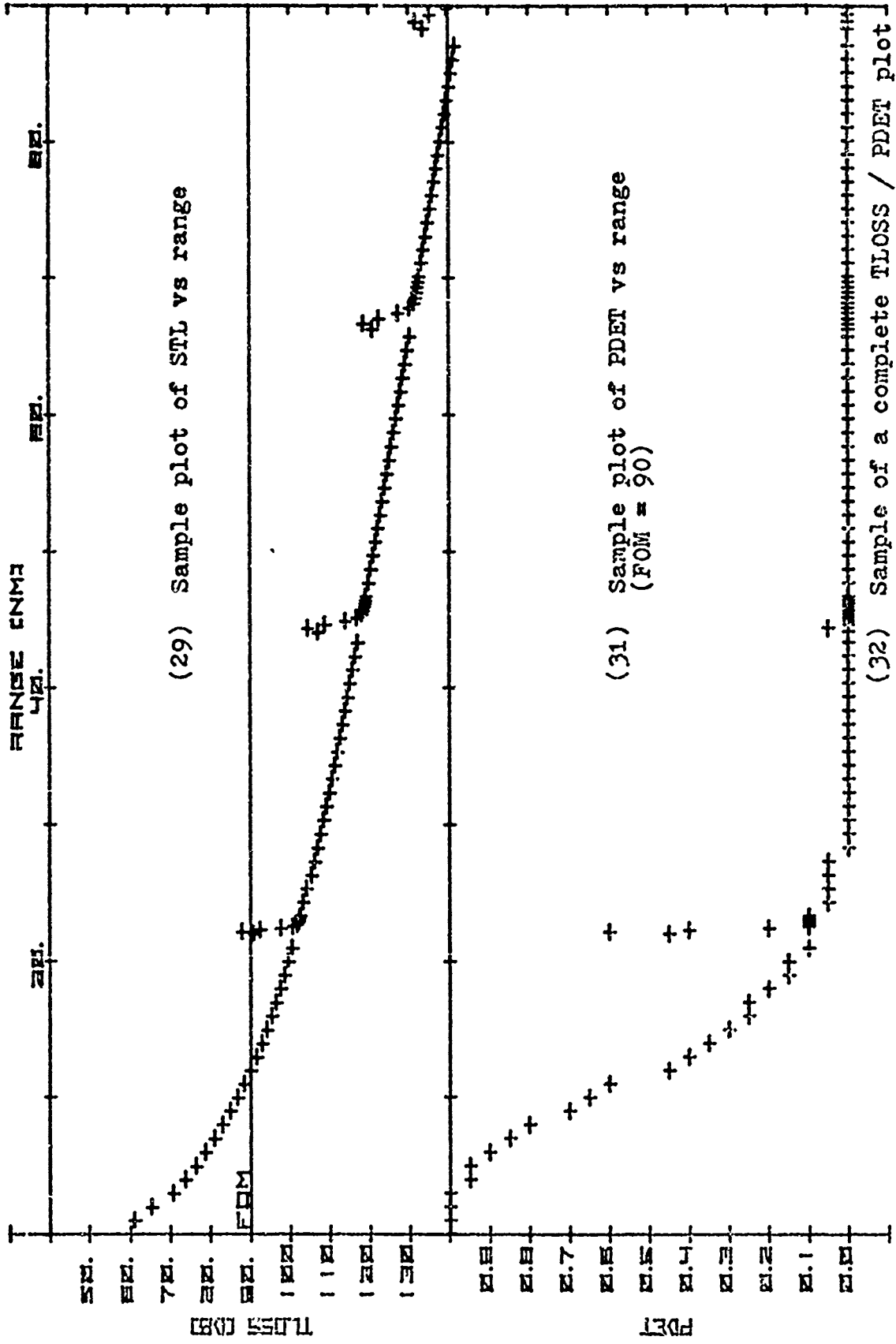


TLOSS / PDET Program



(30) Determination of Probability of Detection





PEAPS HP 9810A
Transmission Loss/Probability of Detection
Program Listing

0000--GTO---44
0001-- 6 ---06
0002-- 2 ---02
0003-- K ---55
0004-- 4 ---04
0005-- UP---27
0006-- 2 ---02
0007-- 0 ---00
0008-- N ---36
0009--S.R---77
0010-- K ---55
0011-- 4 ---04
0012-- UP---27
0013-- 1 ---01
0014-- 0 ---00
0015-- X ---36
0016--S.R---77
0017--XFR---67
0018-- 7 ---07
0019-- 4 ---04
0020-- UP---27
0021--XFR---67
0022-- 7 ---07
0023-- 5 ---05
0024-- - ---34
0025-- G ---15
0026-- DH---25
0027--CHS---32
0028-- UP---27
0029-- 1 ---01
0030-- 0 ---00
0031--DIV---35
0032-- H ---74
0033-- UP---27
0034-- 1 ---01
0035-- + ---33
0036-- DM---25
0037-- K ---55
0038-- 4 ---04
0039-- UP---27
0040-- 1 ---01
0041-- 0 ---00
0042-- N ---36
0043--XFR---67
0044-- 7 ---07
0045-- 5 ---05
0046-- UP---27
0047--XFR---67
0048-- 7 ---07
0049-- 4 ---04
0050--XY---52
0051--CNT---47
0052--KEY---30
0053--CNT---47

0054--CNT---47
0055-- DH---25
0056--KEY---30
0057-- - ---34
0058--YTO---40
0059-- 7 ---07
0060-- 4 ---04
0061--S.R---77
0062-- - ---01
0063-- 8 ---10
0064-- 0 ---00
0065-- UP---27
0066-- π ---56
0067--DIV---35
0068--TO---40
0069-- 7 ---07
0070-- 9 ---11
0071--FMT---42
0072-- 1 ---01
0073-- 8 ---10
0074-- 2 ---02
0075--FMT---42
0076--FMT---42
0077--CLR---20
0078-- F ---16
0079-- α ---13
0080-- E ---60
0081-- b ---14
0082--FMT---42
0083--STP---41
0084--XTO---23
0085-- 6 ---06
0086--PNT---45
0087--FMT---42
0088--FMT---42
0089-- F ---16
0090-- 0 ---71
0091-- M ---70
0092--FMT---42
0093--STP---41
0094--XTO---23
0095-- 6 ---06
0096-- 1 ---01
0097--PNT---45
0098--FMT---42
0099--FMT---42
0100--YTO---40
0101-- I ---65
0102-- G ---15
0103-- M ---70
0104-- A ---62
0105--FMT---42
0106--STP---41
0107--XTO---23

0108-- 6 ---06
0109-- 2 ---02
0110--PNT---45
0111--FMT---42
0112--FMT---42
0113--IND---31
0114-- A ---62
0115--INT---64
0116-- E ---60
0117--CNT---47
0118-- H ---74
0119--XTO---23
0120--FMT---42
0121--STP---41
0122--XTO---23
0123-- 6 ---06
0124-- 0 ---00
0125--PNT---45
0126--FMT---42
0127--FMT---42
0128-- α ---13
0129-- C ---61
0130--INT---64
0131-- α ---13
0132--CNT---47
0133-- D ---63
0134-- E ---60
0135-- π ---56
0136--XTO---23
0137-- H ---74
0138--FMT---42
0139--STP---41
0140--PNT---45
0141--XTO---23
0142-- 6 ---06
0143-- 4 ---04
0144--FMT---42
0145--FMT---42
0146-- B ---66
0147-- 0 ---71
0148--XTO---23
0149--CNT---47
0150--XTO---23
0151--XFR---67
0152-- π ---56
0153-- E ---60
0154--FMT---42
0155--STP---41
0156--XTO---23
0157-- 6 ---06
0158-- 5 ---05
0159--PNT---45
0160--FMT---42
0161-- 1 ---01

0162-- 8 ---10
0163-- 0 ---00
0164-- . ---21
0165-- 1 ---01
0166--FMT---42
0167-- 1 ---01
0168-- 1 ---01
0169--WFR---67
0170-- 6 ---06
0171-- 1 ---01
0172--XTO---23
0173-- a ---13
0174-- UP---27
0175-- 8 ---10
0176-- 0 ---00
0177--WY---53
0178--XTO---23
0179-- a ---13
0180--CHT---47
0181--CHT---47
0182-- 1 ---01
0183-- 0 ---00
0184-- 0 ---00
0185--WY---53
0186--XTO---23
0187-- a ---13
0188--CHT---47
0189--CHT---47
0190-- a ---13
0191-- UP---27
0192-- 1 ---01
0193-- 5 ---05
0194-- . ---33
0195-- 2 ---02
0196-- 0 ---00
0197--DIV---35
0198-- 1 ---01
0199-- 0 ---00
0200-- H ---74
0201--XTO---23
0202-- 1 ---01
0203--XTO---23
0204-- a ---13
0205-- UP---27
0206-- 2 ---02
0207--EEX---26
0208-- 4 ---04
0209--DIV---35
0210--DH---25
0211--INT---64
0212-- UP---27
0213-- 1 ---01
0214-- . ---31
0215-- 2 ---02

0216--EEX---26
0217-- 4 ---04
0218-- 3 ---36
0219--YTO---40
0220-- 6 ---06
0221-- 3 ---03
0222-- . ---21
0223-- 1 ---01
0224--WFR---67
0225-- W ---36
0226-- 0 ---13
0227--CHS---32
0228--XTO---23
0229-- 2 ---02
0230--FMT---42
0231-- 1 ---01
0232-- 2 ---02
0233--CHS---32
0234-- 3 ---03
0235-- 0 ---00
0236-- UP---27
0237--CHS---32
0238-- 2 ---02
0239-- 5 ---05
0240-- 0 ---00
0241--FMT---42
0242-- 1 ---01
0243-- 3 ---03
0244--CHS---32
0245-- 4 ---04
0246-- 0 ---00
0247-- UP---27
0248-- 0 ---00
0249--FMT---42
0250-- 1 ---01
0251-- UP---27
0252-- 2 ---02
0253--EEX---26
0254-- 4 ---04
0255--FMT---42
0256-- 1 ---01
0257-- 5 ---05
0258-- 1 ---01
0259-- 0 ---00
0260--FMT---42
0261-- 1 ---01
0262-- 6 ---06
0263--CHS---32
0264-- 1 ---01
0265-- 4 ---04
0266-- 0 ---00
0267-- UP---27
0268-- 0 ---00
0269--FMT---42

0270-- 1 ---01
0271-- UP---27
0272-- 2 ---02
0273--EEX---26
0274-- 4 ---04
0275--FMT---42
0276-- 1 ---01
0277-- 5 ---05
0278--CHS---32
0279-- 4 ---04
0280-- 0 ---00
0281-- UP---27
0282--WFR---67
0283-- 6 ---06
0284-- 3 ---03
0285--FMT---42
0286-- 1 ---01
0287-- UP---27
0288-- 1 ---01
0289-- 0 ---00
0290--FMT---42
0291-- 1 ---01
0292-- 6 ---06
0293--CHS---32
0294-- 3 ---03
0295-- 3 ---03
0296-- UP---27
0297-- . ---21
0298-- 4 ---04
0299--WFR---67
0300-- W ---36
0301-- a ---13
0302--FMT---42
0303-- 1 ---01
0304-- UP---27
0305--FMT---42
0306-- 1 ---01
0307--FMT---42
0308-- a ---13
0309-- H ---62
0310-- H ---73
0311-- G ---15
0312-- E ---60
0313--CHT---47
0314--WY---53
0315-- H ---73
0316-- M ---70
0317--PSE---57
0318--FMT---42
0319-- 2 ---02
0320-- 0 ---00
0321--XTO---23
0322-- 0 ---00
0323--XTO---23

0324-- a ---13
0325-- 4 ---04
0326--EEX---26
0327-- 4 ---04
0328--XTO---23
0329-- 9 ---11
0330-- 9 ---11
0331-- UP---27
0332-- . ---21
0333-- 0 ---00
0334-- 2 ---02
0335--WFR---67
0336-- X ---36
0337-- 1 ---01
0338-- - ---34
0339--YTO---40
0340-- t ---14
0341--WFR---67
0342-- 1 ---01
0343-- UP---27
0344--EEX---26
0345-- 4 ---04
0346-- - ---34
0347--YTO---40
0348-- 3 ---03
0349--CHS---32
0350-- 3 ---03
0351-- 8 ---10
0352-- UP---27
0353-- b ---14
0354--FMT---42
0355-- 1 ---01
0356-- UP---27
0357-- e ---13
0358--FMT---42
0359-- 1 ---01
0360--PNT---45
0361--WFR---67
0362-- 9 ---11
0363-- 5 ---11
0364--XTO---23
0365-- + ---33
0366-- b ---14
0367--WFR---67
0368-- 0 ---00
0369--XTO---23
0370-- + ---33
0371-- a ---13
0372--WFR---67
0373-- 6 ---06
0374-- 3 ---03
0375-- UP---27
0376-- b ---14
0377--X.Y---52

0378-- 0 ---00
0379-- 3 ---03
0380-- 4 ---04
0381-- 9 ---11
0382--CHS---32
0383-- 5 ---05
0384-- 0 ---00
0385--XTO---23
0386-- a ---13
0387--WFR---67
0388-- 2 ---02
0389-- UP---27
0390-- . ---21
0391-- 5 ---05
0392-- 5 ---05
0393-- X ---36
0394--YTO---40
0395-- b ---14
0396-- e ---13
0397-- UP---27
0398-- b ---14
0399--FMT---42
0400-- 1 ---01
0401-- UP---27
0402-- e ---13
0403--CHS---32
0404--FMT---42
0405-- 1 ---01
0406--PNT---45
0407-- 1 ---01
0408-- 0 ---00
0409--XTO---23
0410-- - ---34
0411-- a ---13
0412-- a ---13
0413-- UP---27
0414--CHS---32
0415-- 1 ---01
0416-- 4 ---04
0417-- 0 ---00
0418--X.Y---52
0419-- 0 ---00
0420-- 3 ---03
0421-- 9 ---11
0422-- 8 ---10
0423--CHS---32
0424-- 1 ---01
0425-- 5 ---05
0426-- 0 ---00
0427--XTO---23
0428-- b ---14
0429-- . ---21
0430-- 4 ---11
0431--XTO---23

0432-- a ---13
0433-- . ---21
0434-- 4 ---04
0435-- 5 ---05
0436--WFR---67
0437-- X ---36
0438-- 2 ---02
0439--XTO---23
0440-- 0 ---00
0441--FMT---42
0442-- 1 ---01
0443-- 8 ---10
0444-- 1 ---01
0445-- b ---14
0446-- UP---27
0447--WFR---67
0448-- 0 ---00
0449--FMT---42
0450-- 1 ---01
0451-- UP---27
0452-- a ---13
0453--FMT---42
0454-- 1 ---01
0455--PNT---45
0456-- . ---21
0457-- 1 ---01
0458--XTO---23
0459-- - ---34
0460-- a ---13
0461-- 1 ---01
0462-- 0 ---00
0463--XTO---23
0464-- - ---34
0465-- b ---14
0466-- b ---14
0467-- UP---27
0468--CHS---32
0469-- 2 ---02
0470-- 5 ---05
0471-- 0 ---00
0472--X.Y---52
0473-- 0 ---00
0474-- 4 ---04
0475-- 4 ---04
0476-- 7 ---07
0477--WFR---67
0478-- 6 ---06
0479-- 1 ---01
0480-- UP---27
0481-- 2 ---02
0482-- 3 ---03
0483-- 3 ---03
0484--X.Y---52
0485-- 0 ---00

0486-- 5 ---05
0487-- 2 ---02
0488-- 4 ---04
0489--WFR---67
0490-- 6 ---06
0491-- 1 ---01
0492--CHS---32
0493-- UP---27
0494--YTO---40
0495-- a ---13
0496-- 0 ---00
0497--FMT---42
0498-- 1 ---01
0499-- UP---27
0500-- a ---13
0501-- UP---27
0502--WFR---67
0503-- 6 ---06
0504-- 3 ---03
0505--FMT---42
0506-- 1 ---01
0507-- DH---25
0508-- a ---13
0509-- UP---27
0510-- 1 ---01
0511-- + ---33
0512--EEX---26
0513-- 3 ---03
0514--FMT---42
0515-- 1 ---01
0516-- UP---27
0517--FMT---42
0518-- 1 ---01
0519--FMT---42
0520-- F ---16
0521-- 0 ---71
0522-- N ---70
0523--FMT---42
0524--FMT---42
0525-- 1 ---01
0526-- 9 ---11
0527--CHS---32
0528-- 1 ---01
0529-- 0 ---00
0530-- 5 ---05
0531-- UP---27
0532--WFR---67
0533-- 2 ---02
0534-- UP---27
0535-- . ---21
0536-- 3 ---03
0537--WFR---67
0538-- 1 ---36
0539-- 2 ---02

0540-- - ---34
0541-- DH---25
0542--WTO---23
0543-- 3 ---03
0544--FMT---42
0545-- 1 ---01
0546-- UP---27
0547--FMT---42
0548-- 1 ---01
0549--FMT---42
0550--WTO---23
0551-- L ---72
0552-- 0 ---71
0553--YTO---40
0554--YTO---40
0555--CNT---47
0556--WXY---52
0557-- D ---63
0558-- B ---66
0559--PSE---57
0560--FMT---42
0561--CHS---32
0562-- 2 ---02
0563-- 0 ---00
0564-- 0 ---00
0565-- UF---27
0566--WFR---67
0567-- 3 ---03
0568--FMT---42
0569-- 1 ---01
0570-- UP---27
0571--FMT---42
0572-- 1 ---01
0573--FMT---42
0574-- 1 ---56
0575-- D ---63
0576-- E ---60
0577--WTO---23
0578--FMT---42
0579--FMT---42
0580-- 1 ---01
0581-- 9 ---11
0582--WFR---67
0583-- 1 ---01
0584-- 7 ---07
0585-- UP---27
0586--WFR---67
0587-- 1 ---01
0588-- 8 ---10
0589--WXY---52
0590-- 0 ---00
0591-- 8 ---10
0592-- 2 ---02
0593-- 6 ---06

0594--WFR---67
0595-- 1 ---01
0596-- 2 ---02
0597-- UP---27
0598--WFR---67
0599-- 4 ---04
0600--WXY---53
0601-- 0 ---00
0602-- 7 ---07
0603-- 7 ---07
0604-- 0 ---00
0605--WFR---67
0606-- 6 ---06
0607-- 4 ---04
0608--WXY---53
0609-- 0 ---00
0610-- 7 ---07
0611-- 2 ---02
0612-- 6 ---06
0613-- 1 ---01
0614--WTO---23
0615-- 2 ---02
0616-- 3 ---03
0617--WFR---67
0618-- 5 ---05
0619--WFR---67
0620--DIV---35
0621-- 1 ---01
0622-- 8 ---10
0623-- L ---72
0624-- N ---73
0625--1/W---17
0626--WFR---67
0627-- 3 ---36
0628-- 1 ---01
0629-- 2 ---02
0630-- UP---27
0631-- 6 ---06
0632--DIV---35
0633--YTO---40
0634-- 7 ---07
0635-- 0 ---00
0636--WFR---67
0637-- 1 ---01
0638-- 7 ---07
0639-- UP---27
0640-- UP---27
0641--WFR---67
0642-- 1 ---01
0643-- 8 ---10
0644--DIV---35
0645--RUP---22
0646-- - ---34
0647--WFR---67

0648-- 1 ---01
0649-- 2 ---02
0650--WFR---67
0651-- - ---34
0652-- 1 ---01
0653-- 1 ---01
0654--DIV---35
0655--WFR---67
0656-- 1 ---01
0657-- 7 ---07
0658--KEY---30
0659--DIV---35
0660-- 2 ---02
0661-- W ---36
0662-- 3 ---03
0663--DIV---35
0664-- DH---25
0665--KEY---30
0666-- L ---72
0667-- H ---73
0668-- W ---36
0669--YTO---40
0670-- 6 ---06
0671-- 9 ---11
0672-- . ---21
0673-- 8 ---10
0674--KEY---30
0675--DIV---35
0676-- . ---21
0677-- 7 ---07
0678-- 1 ---01
0679-- UP---27
0680--EEX---36
0681-- 3 ---03
0682--1/W---17
0683--WFR---67
0684-- W ---36
0685-- 6 ---06
0686--WFR---67
0687-- W ---36
0688-- 6 ---06
0689-- 0 ---00
0690-- H ---74
0691--RUP---22
0692-- W ---36
0693--YTO---40
0694-- 7 ---07
0695-- 1 ---01
0696--CLM---37
0697-- 5 ---05
0698-- UP---27
0699-- 3 ---03
0700--DIV---35
0701--EEX---36

0702-- 3 ---03
0703--1/W---17
0704--WFR---67
0705-- W ---36
0706-- 6 ---06
0707-- H ---74
0708--1/W---17
0709-- UP---27
0710--WFR---67
0711-- 1 ---01
0712-- 9 ---11
0713--WFR---67
0714-- - ---34
0715-- 1 ---01
0716-- 8 ---10
0717-- UP---27
0718--WFR---67
0719-- 1 ---01
0720-- 3 ---03
0721--WFR---67
0722-- - ---34
0723-- 1 ---01
0724-- 2 ---02
0725--DIV---35
0726-- G ---15
0727-- 3 ---03
0728--1/W---17
0729--KEY---30
0730-- H ---74
0731--1/W---17
0732--KEY---30
0733-- DH---25
0734-- W ---36
0735-- 3 ---03
0736-- UP---27
0737--WFR---67
0738-- 1 ---01
0739-- 2 ---02
0740-- H ---74
0741--1/W---17
0742--KEY---30
0743-- DH---25
0744-- W ---36
0745-- 7 ---07
0746-- 4 ---04
0747-- 4 ---04
0748-- W ---36
0749--YTO---40
0750-- 7 ---07
0751-- 2 ---02
0752--WFR---67
0753-- 5 ---05
0754-- 8 ---10
0755-- UP---27

0756-- 1 ---01
0757--W/Y---50
0758--CLM---37
0759--WTO---23
0760-- 7 ---07
0761-- 2 ---02
0762--CLM---37
0763--WTO---23
0764-- 2 ---02
0765-- 7 ---07
0766--GTO---44
0767-- 8 ---10
0768-- 3 ---03
0769-- 4 ---04
0770--WFR---67
0771-- 6 ---06
0772-- 4 ---04
0773--W/Y---53
0774-- 0 ---00
0775-- 8 ---10
0776-- 2 ---02
0777-- 2 ---02
0778-- 1 ---01
0779--WTO---23
0780-- 2 ---02
0781-- 7 ---07
0782--WFR---67
0783-- 1 ---01
0784-- 3 ---03
0785--WFR---67
0786-- - ---34
0787-- 1 ---01
0788-- 2 ---02
0789-- UP---27
0790--WFR---67
0791-- 1 ---01
0792-- 8 ---10
0793-- W ---36
0794--WFR---67
0795-- - ---34
0796-- 1 ---01
0797-- 9 ---11
0798--DIV---35
0799--WFR---67
0800-- 1 ---01
0801-- 2 ---02
0802-- UP---27
0803--WFR---67
0804-- 4 ---04
0805--W/Y---52
0806--WFR---67
0807-- 6 ---06
0808-- 4 ---04
0809--CMT---47

0810--KEY---30
0811-- - ---34
0812-- DH---25
0813-- W ---36
0814-- 4 ---04
0815-- . ---21
0816-- 5 ---05
0817--CHT---47
0818--DIV---35
0819--YTO---40
0820-- 9 ---11
0821-- 5 ---05
0822--GTO---44
0823-- 8 ---10
0824-- 3 ---03
0825-- 0 ---00
0826--CLW---37
0827--XTO---23
0828-- 2 ---02
0829-- 7 ---07
0830--CLW---27
0831--XTO---23
0832-- 2 ---02
0833-- 3 ---03
0834--WFR---67
0835-- 2 ---02
0836-- 6 ---06
0837-- UP---27
0838-- 1 ---01
0839--W=Y---50
0840-- 0 ---00
0841-- 8 ---10
0842-- 4 ---04
0843-- 8 ---10
0844--GTO---44
0845-- 8 ---10
0846-- 8 ---10
0847-- 1 ---01
0848--WFR---67
0849-- 8 ---10
0850--XTO---23
0851-- 9 ---11
0852-- 3 ---03
0853--WFR---67
0854-- 9 ---11
0855--XTO---23
0856-- 9 ---11
0857-- 4 ---04
0858--CHT---47
0859-- 1 ---01
0860-- UP---27
0861--WFR---67
0862-- 2 ---02
0863-- 7 ---07

0864--W=Y---50
0865-- 0 ---00
0866-- 8 ---10
0867-- 8 ---10
0868-- 1 ---01
0869--WFR---67
0870-- 2 ---02
0871-- 3 ---03
0872--W=Y---50
0873-- 0 ---00
0874-- 8 ---10
0875-- 8 ---10
0876-- 1 ---01
0877--GTO---44
0878-- 9 ---11
0879-- 1 ---01
0880-- 0 ---00
0881-- . ---21
0882-- 7 ---07
0883-- UP---27
0884--WFR---67
0885-- 5 ---05
0886--WFR---67
0887--DIV---35
0888-- 6 ---06
0889-- H ---74
0890-- UP---27
0891-- 3 ---03
0892-- 2 ---02
0893-- W ---36
0894--WFR---67
0895-- 1 ---01
0896-- 2 ---02
0897--W=Y---52
0898--CLW---37
0899--XTO---23
0900-- 2 ---02
0901-- 3 ---03
0902--CLW---37
0903--XTO---23
0904-- 2 ---02
0905-- 5 ---05
0906--GTO---44
0907-- 9 ---11
0908-- 6 ---06
0909-- 6 ---06
0910--CLW---37
0911-- 1 ---01
0912-- 9 ---11
0913--XTO---23
0914-- a ---13
0915-- 1 ---01
0916-- XTO---23
0917-- 2 ---02

0918-- 5 ---05
0919--WFR---67
0920--IND---31
0921-- a ---13
0922-- UP---27
0923-- 1 ---01
0924--XTO---23
0925-- + ---33
0926-- a ---13
0927--WFR---67
0928--IND---31
0929-- a ---13
0930--W=Y---52
0931-- 0 ---00
0932-- 9 ---11
0933-- : ---01
0934-- 9 ---11
0935-- 6 ---06
0936--XTO---23
0937-- - ---34
0938-- a ---13
0939--WFR---67
0940--IND---31
0941-- a ---13
0942--WFR---67
0943-- - ---34
0944-- 1 ---01
0945-- 2 ---02
0946-- UP---27
0947--WFR---67
0948-- 4 ---04
0949--WFR---67
0950-- - ---34
0951-- 1 ---01
0952-- 2 ---02
0953--DIV---35
0954-- G ---15
0955-- DH---25
0956-- r ---76
0957--WFR---67
0958-- W ---36
0959-- 8 ---10
0960-- UP---27
0961-- 8 ---10
0962--DIV---35
0963--YTO---40
0964-- 7 ---07
0965-- 3 ---03
0966--WFR---67
0967-- b ---06
0968-- 5 ---05
0969-- UP---27
0970-- 6 ---06
0971--W=Y---52

0972-- 1 ---01
 0973-- 0 ---00
 0974-- 4 ---04
 0975-- 4 ---04
 0976-- 5 ---05
 0977-- WXY ---52
 0978-- 1 ---01
 0979-- 0 ---00
 0980-- 3 ---03
 0981-- 1 ---01
 0982-- 4 ---04
 0983-- WXY ---52
 0984-- 1 ---01
 0985-- 0 ---00
 0986-- 2 ---02
 0987-- 2 ---02
 0988-- 3 ---03
 0989-- WXY ---52
 0990-- 1 ---01
 0991-- 0 ---00
 0992-- 1 ---01
 0993-- 6 ---06
 0994-- 2 ---02
 0995-- WXY ---52
 0996-- 1 ---01
 0997-- 0 ---00
 0998-- 0 ---00
 0999-- 0 ---10
 1000-- . ---21
 1001-- 6 ---06
 1002-- 6 ---06
 1003-- GTO ---44
 1004-- 1 ---01
 1005-- 0 ---00
 1006-- 4 ---04
 1007-- 1 ---01
 1008-- . ---21
 1009-- 8 ---10
 1010-- 5 ---05
 1011-- GTO ---44
 1012-- 1 ---01
 1013-- 0 ---00
 1014-- 4 ---04
 1015-- 1 ---01
 1016-- 1 ---01
 1017-- GTO ---44
 1018-- 1 ---01
 1019-- 0 ---00
 1020-- 4 ---04
 1021-- 1 ---01
 1022-- 1 ---01
 1023-- . ---21
 1024-- 1 ---01
 1025-- 3 ---10

1026-- GTO ---44
 1027-- 1 ---01
 1028-- 0 ---00
 1029-- 4 ---04
 1030-- 1 ---01
 1031-- 1 ---01
 1032-- . ---21
 1033-- 4 ---04
 1034-- 1 ---01
 1035-- GTO ---44
 1036-- 1 ---01
 1037-- 0 ---00
 1038-- 4 ---04
 1039-- 1 ---01
 1040-- 2 ---02
 1041-- WTO ---23
 1042-- 6 ---06
 1043-- 5 ---05
 1044-- CLK ---37
 1045-- 3 ---03
 1046-- 0 ---00
 1047-- WTO ---23
 1048-- 9 ---11
 1049-- 9 ---11
 1050-- WFR ---67
 1051-- 6 ---06
 1052-- UP ---27
 1053-- 3 ---03
 1054-- 5 ---05
 1055-- 0 ---00
 1056-- 0 ---00
 1057-- WXY ---52
 1058-- 1 ---01
 1059-- 1 ---01
 1060-- 7 ---07
 1061-- 7 ---07
 1062-- 2 ---02
 1063-- EEM ---26
 1064-- 3 ---03
 1065-- WXY ---52
 1066-- 1 ---01
 1067-- 1 ---01
 1068-- 4 ---04
 1069-- 0 ---10
 1070-- 5 ---05
 1071-- 0 ---00
 1072-- WTO ---23
 1073-- 9 ---11
 1074-- 9 ---11
 1075-- EEM ---26
 1076-- 3 ---03
 1077-- WXY ---52
 1078-- 1 ---01
 1079-- 1 ---01

1080-- 3 ---03
 1081-- 5 ---05
 1082-- 5 ---05
 1083-- 0 ---00
 1084-- 0 ---00
 1085-- WXY ---52
 1086-- 1 ---01
 1087-- 1 ---01
 1088-- 2 ---02
 1089-- 2 ---02
 1090-- EEM ---26
 1091-- 2 ---02
 1092-- WXY ---52
 1093-- 1 ---01
 1094-- 1 ---01
 1095-- 0 ---00
 1096-- 9 ---11
 1097-- . ---21
 1098-- 2 ---02
 1099-- UP ---27
 1100-- . ---21
 1101-- 8 ---10
 1102-- 3 ---03
 1103-- CHS ---32
 1104-- GTO ---44
 1105-- 1 ---01
 1106-- 1 ---01
 1107-- 6 ---06
 1108-- 9 ---11
 1109-- . ---21
 1110-- 1 ---01
 1111-- 8 ---10
 1112-- UP ---27
 1113-- 2 ---02
 1114-- . ---21
 1115-- 0 ---00
 1116-- 6 ---06
 1117-- GTO ---44
 1118-- 1 ---01
 1119-- 1 ---01
 1120-- 6 ---06
 1121-- 9 ---11
 1122-- . ---21
 1123-- 1 ---01
 1124-- 7 ---07
 1125-- UP ---27
 1126-- 1 ---01
 1127-- . ---21
 1128-- 9 ---11
 1129-- 7 ---07
 1130-- GTO ---44
 1131-- 1 ---01
 1132-- 1 ---01
 1133-- 6 ---06

1134-- 9 ---11
 1135-- . ---21
 1136-- 1 ---01
 1137-- 9 ---11
 1138-- UP---27
 1139-- 2 ---02
 1140-- . ---21
 1141-- 0 ---00
 1142-- 9 ---11
 1143--GTU---44
 1144-- 1 ---01
 1145-- 1 ---01
 1146-- 6 ---06
 1147-- 9 ---11
 1148-- . ---21
 1149-- 2 ---02
 1150-- 8 ---10
 1151-- UP---27
 1152-- 8 ---10
 1153-- . ---21
 1154-- 2 ---02
 1155-- 1 ---01
 1156--GTU---44
 1157-- 1 ---01
 1158-- 1 ---01
 1159-- 6 ---06
 1160-- 9 ---11
 1161-- . ---21
 1162-- 3 ---03
 1163-- 5 ---05
 1164-- UP---27
 1165-- 7 ---07
 1166-- . ---21
 1167-- 1 ---01
 1168-- 2 ---02
 1169--XTO---23
 1170-- 6 ---06
 1171-- 6 ---06
 1172--YTO---40
 1173-- 6 ---06
 1174-- 7 ---07
 1175--WFR---67
 1176-- 6 ---06
 1177-- UP---27
 1178--EEX---26
 1179-- 3 ---03
 1180--DIV---35
 1181-- DN---25
 1182--XSO---13
 1183-- UP---27
 1184--YTO---40
 1185-- 0 ---13
 1186-- . ---21
 1187-- 1 ---01

1188-- W ---36
 1189-- 1 ---01
 1190--WFR---67
 1191-- + ---33
 1192-- a ---13
 1193--DIV---35
 1194-- a ---13
 1195-- UP---27
 1196-- 4 ---04
 1197-- 0 ---00
 1198-- W ---36
 1199-- 4 ---04
 1200-- 1 ---01
 1201-- 0 ---00
 1202-- 0 ---00
 1203--WFR---67
 1204-- + ---33
 1205-- a ---13
 1206--DIV---35
 1207-- DN---25
 1208-- * ---33
 1209--EEX---26
 1210--CHS---32
 1211-- 3 ---03
 1212-- W ---36
 1213--YTO---40
 1214-- 7 ---07
 1215-- 8 ---10
 1216-- . ---21
 1217-- 1 ---01
 1218-- 2 ---02
 1219--XTO---23
 1220-- 8 ---10
 1221-- 2 ---02
 1222-- . ---21
 1223-- 2 ---02
 1224-- 5 ---05
 1225--XTO---23
 1226-- 8 ---10
 1227-- 3 ---03
 1228-- . ---21
 1229-- 3 ---03
 1230-- 8 ---10
 1231--XTO---23
 1232-- 8 ---10
 1233-- 4 ---04
 1234-- . ---21
 1235-- 5 ---05
 1236-- 2 ---02
 1237--XTO---23
 1238-- 8 ---10
 1239-- 5 ---05
 1240-- . ---21
 1241-- 0 ---06

1242-- 7 ---07
 1243--XTO---23
 1244-- 8 ---10
 1245-- 6 ---06
 1246-- . ---21
 1247-- 8 ---10
 1248-- 4 ---04
 1249--XTO---23
 1250-- 0 ---00
 1251-- 8 ---10
 1252-- 7 ---07
 1253-- 1 ---01
 1254-- . ---21
 1255-- 0 ---00
 1256-- 4 ---04
 1257--XTO---23
 1258-- 0 ---00
 1259-- 8 ---10
 1260-- 8 ---10
 1261-- 1 ---01
 1262-- . ---21
 1263-- 2 ---02
 1264-- 8 ---10
 1265--XTO---23
 1266-- 0 ---00
 1267-- 8 ---10
 1268-- 9 ---11
 1269-- 1 ---01
 1270-- . ---21
 1271-- 6 ---06
 1272-- 4 ---04
 1273--XTO---23
 1274-- 9 ---11
 1275-- 0 ---00
 1276--CNT---47
 1277-- 2 ---02
 1278--EEX---26
 1279-- 3 ---03
 1280--XTO---23
 1281-- 9 ---11
 1282-- 6 ---06
 1283--XTO---23
 1284-- 0 ---00
 1285-- 9 ---11
 1286-- 7 ---07
 1287-- 1 ---01
 1288--XTO---23
 1289-- 3 ---03
 1290--XTO---23
 1291-- 9 ---11
 1292-- 8 ---10
 1293--XTO---23
 1294-- 8 ---10
 1295-- 0 ---00

1296-- UP---27
1297--XFR---67
1298-- 2 ---02
1299-- 6 ---06
1300--X=Y---50
1301-- 1 ---01
1302-- 3 ---03
1303-- 3 ---03
1304-- 4 ---04
1305--XFR---67
1306-- 5 ---05
1307-- UP---27
1308--XFR---67
1309-- 2 ---02
1310-- 2 ---02
1311--X=Y---53
1312-- 1 ---01
1313-- 3 ---03
1314-- 2 ---02
1315-- 9 ---11
1316--XFR---67
1317-- 5 ---05
1318-- UP---27
1319--XFR---67
1320-- 1 ---01
1321-- 8 ---10
1322--DIV---35
1323-- DN---25
1324-- L ---72
1325-- N ---73
1326--XTO---23
1327-- 6 ---06
1328-- 8 ---10
1329--XFR---67
1330-- 6 ---06
1331-- 8 ---10
1332--XTO---23
1333-- 7 ---07
1334--CLX---37
1335--XTO---23
1336-- 7 ---07
1337-- 7 ---07
1338-- π ---56
1339-- UP---27
1340-- 2 ---02
1341--DIV---35
1342--YTO---40
1343-- 9 ---11
1344-- 2 ---02
1345--XFR---67
1346-- 9 ---11
1347-- 2 ---02
1348-- UP---27
1349--XFR---67

1350-- 7 ---07
1351--X=Y---52
1352-- 1 ---01
1353-- 3 ---03
1354-- 6 ---06
1355-- 1 ---01
1356-- 1 ---01
1357--XTO---23
1358-- + ---33
1359-- 8 ---10
1360-- 0 ---00
1361--XFR---67
1362-- 9 ---11
1363-- 6 ---06
1364--XTO---23
1365-- + ---33
1366-- 7 ---07
1367-- 7 ---07
1368--XFR---67
1369-- 1 ---01
1370-- 6 ---06
1371-- UP---27
1372--XFR---67
1373-- 4 ---04
1374-- - ---34
1375-- 3 ---03
1376--DIV---35
1377--YTO---40
1378-- 6 ---14
1379--XFR---67
1380-- 1 ---01
1381-- 6 ---06
1382-- UP---27
1383-- 2 ---02
1384-- X ---36
1385--XFR---67
1386-- 4 ---04
1387-- - ---34
1388-- 3 ---03
1389--DIV---35
1390--YTO---40
1391-- α ---13
1392-- DN---25
1393--DIV---35
1394--XFR---67
1395-- 7 ---07
1396-- 7 ---07
1397-- X ---36
1398--XFR---67
1399-- 8 ---10
1400-- 0 ---00
1401--DIV---35
1402-- 6 ---14
1403--X=Y---30

1404--DIV---35
1405-- DN---25
1406-- L ---72
1407-- 0 ---71
1408--XTO---23
1409-- 9 ---11
1410-- 2 ---02
1411-- UP---27
1412--XFR---67
1413-- 7 ---07
1414-- 9 ---11
1415-- X ---36
1416--XFR---67
1417-- 9 ---11
1418-- 9 ---11
1419--X=Y---52
1420--CNT---47
1421--X=Y---30
1422--CNT---47
1423--CNT---47
1424--XFR---67
1425-- 6 ---06
1426-- 7 ---07
1427-- X ---36
1428--XFR---67
1429-- 6 ---06
1430-- 6 ---06
1431-- + ---33
1432--XFR---67
1433-- 6 ---06
1434-- 5 ---05
1435-- X ---36
1436--XFR---67
1437-- 8 ---10
1438-- 0 ---00
1439-- X ---36
1440--YTO---40
1441-- 6 ---14
1442--XFR---67
1443-- 7 ---07
1444-- 7 ---07
1445-- UP---27
1446--XFR---67
1447-- 9 ---11
1448-- 2 ---02
1449-- H ---73
1450--DIV---35
1451-- DN---25
1452-- UP---27
1453--GTO---44
1454--S-R---77
1455-- 3 ---03
1456--RUP---22
1457--X=Y---30

1458--XFR---67
1459-- 7 ---07
1460-- 8 ---10
1461-- X ---36
1462-- DN---25
1463-- + ---33
1464-- 6 ---14
1465-- + ---33
1466-- 6 ---06
1467-- - ---34
1468--YTO---40
1469-- 7 ---07
1470-- 4 ---04
1471--CLX---37
1472-- UP---27
1473--XFR---67
1474-- 2 ---02
1475-- 3 ---03
1476--X=Y---50
1477-- 1 ---01
1478-- 5 ---05
1479-- 6 ---06
1480-- 0 ---00
1481--XFR---67
1482-- 7 ---07
1483-- 8 ---10
1484-- UP---27
1485--XFR---67
1486-- 7 ---07
1487-- 2 ---02
1488-- + ---33
1489--XFR---67
1490-- 7 ---07
1491-- 7 ---07
1492-- X ---36
1493-- UP---27
1494--XFP---67
1495-- 7 ---07
1496-- 0 ---00
1497--X<Y---52
1498-- 1 ---01
1499-- 5 ---05
1500-- 1 ---01
1501-- 6 ---06
1502-- DN---25
1503--GTO---44
1504--S/R---77
1505-- 3 ---03
1506-- DN---25
1507-- + ---33
1508--YTO---40
1509-- 7 ---07
1510-- 5 ---05
1511--GTO---44

1512-- 1 ---01
1513-- 5 ---05
1514-- 3 ---03
1515-- 5 ---05
1516-- DN---25
1517--GTO---44
1518--S/R---77
1519-- 1 ---01
1520-- 0 ---00
1521-- DN---25
1522-- + ---33
1523--XFR---67
1524-- 7 ---07
1525-- 0 ---00
1526--GTO---44
1527--S/R---77
1528-- 1 ---01
1529-- 0 ---00
1530-- DN---25
1531-- + ---33
1532--YTO---40
1533-- 7 ---07
1534-- 5 ---05
1535--XFR---67
1536-- 7 ---07
1537-- 7 ---07
1538-- UP---27
1539--XFR---67
1540-- 6 ---06
1541-- 9 ---11
1542--X>Y---53
1543-- 1 ---01
1544-- 5 ---05
1545-- 5 ---05
1546-- 6 ---06
1547--XFR---67
1548-- 7 ---07
1549-- 1 ---01
1550-- X ---36
1551-- DN---25
1552-- + ---33
1553--YTO---40
1554-- 7 ---07
1555-- 5 ---05
1556--GTO---44
1557--S/R---77
1558-- 1 ---01
1559-- 7 ---07
1560--CLX---37
1561-- UP---27
1562--XFR---67
1563-- 2 ---02
1564-- 7 ---07
1565--X=Y---50

1566-- 1 ---01
1567-- 6 ---06
1568-- 4 ---04
1569-- 1 ---01
1570--XFR---67
1571-- 9 ---11
1572-- 5 ---05
1573-- r ---76
1574-- UP---27
1575--XFR---67
1576-- 6 ---06
1577-- 9 ---11
1578-- UP---27
1579-- 2 ---02
1580--DIV---35
1581-- DN---25
1582-- + ---33
1583--XFR---67
1584-- 7 ---07
1585-- 7 ---07
1586--X<Y---52
1587-- 1 ---01
1588-- 6 ---06
1589-- 0 ---00
1590-- 0 ---00
1591-- 0 ---00
1592--XTO---23
1593-- 2 ---02
1594-- 7 ---07
1595--GTO---44
1596-- 1 ---01
1597-- 5 ---05
1598-- 6 ---06
1599-- 0 ---00
1600--XFR---67
1601-- 1 ---01
1602-- 2 ---02
1603-- UP---27
1604--XFR---67
1605-- 4 ---04
1606--X<Y---52
1607--XFR---67
1608-- 6 ---06
1609-- 4 ---04
1610--CNT---47
1611--XSO---12
1612-- UP---27
1613-- 9 ---11
1614--DIV---35
1615--XFR---67
1616-- 7 ---07
1617-- 7 ---07
1618--X&O---12
1619-- + ---33

1620-- DH---25
1621-- F ---76
1622-- UP---27
1623--GTO---44
1624--S/R---77
1625-- 3 ---03
1626--RUP---22
1627--XEY---30
1628--XFR---67
1629-- 7 ---07
1630-- 8 ---10
1631-- X ---36
1632-- DN---25
1633-- + ---33
1634--YTO---40
1635-- 7 ---07
1636-- 5 ---05
1637--GTO---44
1638--S/R---77
1639-- 1 ---01
1640-- 7 ---07
1641--CLX---37
1642-- UP---27
1643--XFR---67
1644-- 2 ---02
1645-- 6 ---06
1646--X=Y---50
1647-- 1 ---01
1648-- 8 ---10
1649-- 2 ---02
1650-- 7 ---07
1651--XFR---67
1652-- 7 ---07
1653-- 8 ---10
1654-- UP---27
1655--XFR---67
1656-- 7 ---07
1657-- 7 ---07
1658-- X ---36
1659--GTO---44
1660--S/R---77
1661-- 3 ---03
1662-- DN---25
1663-- + ---33
1664--YTO---40
1665-- 7 ---07
1666-- 5 ---05
1667--XFR---67
1668-- 7 ---07
1669-- 7 ---07
1670-- UP---27
1671--XFR---67
1672-- 9 ---11
1673-- 3 ---03

1674--X>Y---53
1675-- 1 ---01
1676-- 8 ---10
1677-- 2 ---02
1678-- 3 ---03
1679--XFR---67
1680-- 9 ---11
1681-- 4 ---04
1682--X<Y---52
1683-- 1 ---01
1684-- 7 ---07
1685-- 9 ---11
1686-- 8 ---10
1687--XFR---67
1688-- - ---34
1689-- 9 ---11
1690-- 3 ---03
1691--XTO---23
1692-- a ---13
1693-- UP---27
1694-- 1 ---01
1695-- 0 ---00
1696--DIV---35
1697--YTO---40
1698-- 9 ---11
1699-- 6 ---06
1700--CNT---47
1701-- 1 ---01
1702-- UP---27
1703--XFR---67
1704-- 3 ---03
1705--X>Y---53
1706-- 1 ---01
1707-- 7 ---07
1708-- 2 ---02
1709-- 4 ---04
1710--XFR---67
1711-- 9 ---11
1712-- 3 ---03
1713--XTO---23
1714-- 7 ---07
1715-- 7 ---07
1716--YTO---40
1717-- + ---33
1718-- 3 ---03
1719--GTO---44
1720-- 1 ---01
1721-- 3 ---03
1722-- 4 ---04
1723-- 6 ---06
1724--CHS---32
1725-- 4 ---04
1726-- . ---21
1727-- 5 ---05

1728--EEX---26
1729--CHS---32
1730-- 4 ---04
1731-- UP---27
1732-- a ---13
1733-- X ---36
1734-- 1 ---01
1735-- 5 ---05
1736-- . ---21
1737-- 5 ---05
1738-- + ---33
1739-- DN---25
1740--XSO---12
1741--1/X---17
1742-- UP---27
1743-- . ---21
1744-- 3 ---03
1745-- 6 ---06
1746-- X ---36
1747--YTO---40
1748-- b ---14
1749--XFR---67
1750-- 7 ---07
1751-- 7 ---07
1752-- UP---27
1753--XFR---67
1754-- 9 ---11
1755-- 3 ---03
1756-- - ---34
1757-- DN---25
1758--XEY---30
1759-- F ---76
1760-- X ---36
1761-- a ---13
1762--DIV---35
1763-- . ---21
1764-- 1 ---01
1765-- 8 ---10
1766--DIV---35
1767-- DN---25
1768--XEY---30
1769-- UP---27
1770-- DN---25
1771--DIV---35
1772-- DN---25
1773-- X ---36
1774--RUP---22
1775--RUP---22
1776--XEY---30
1777--CHS---32
1778-- 2 ---02
1779--DIV---35
1780-- DN---25
1781-- J ---75

1782-- X ---36
1783--YTO---40
1784-- - ---34
1785-- 7 ---07
1786-- 5 ---05
1787--CNT---47
1788-- 1 ---01
1789--XTO---23
1790-- + ---33
1791-- 9 ---11
1792-- 8 ---10
1793--GTO---44
1794-- 1 ---01
1795-- 8 ---10
1796-- 2 ---02
1797-- 2 ---02
1798-- 1 ---01
1799--XTO---23
1800-- 9 ---11
1801-- 8 ---10
1802--XTO---23
1803-- 3 ---03
1804--CNT---47
1805--XFR---67
1806-- 9 ---11
1807-- 7 ---07
1808--XTO---23
1809-- 9 ---11
1810-- 6 ---06
1811--XFR---67
1812-- 8 ---10
1813--XTO---23
1814-- + ---33
1815-- 9 ---11
1816-- 3 ---03
1817--XFR---67
1818-- 9 ---11
1819--XTO---23
1820-- + ---33
1821-- 9 ---11
1822-- 4 ---04
1823--GTO---44
1824--S/R---77
1825-- 1 ---01
1826-- 7 ---07
1827--CLX---37
1828-- UP---27
1829--XFR---67
1830-- 2 ---02
1831-- 5 ---05
1832--X=Y---50
1833-- 1 ---01
1834-- 8 ---10
1835-- 6 ---06

1836-- 8 ---10
1837--XFR---67
1838-- 7 ---07
1839-- 7 ---07
1840--GTO---44
1841--S/R---77
1842-- 1 ---01
1843-- 0 ---00
1844--XFR---67
1845-- 7 ---07
1846-- 3 ---03
1847--GTO---44
1848--S/R---77
1849-- 1 ---01
1850-- 0 ---00
1851-- DH---25
1852-- + ---33
1853--XFR---67
1854-- 7 ---07
1855-- 8 ---10
1856--XFR---67
1857-- X ---36
1858-- 7 ---07
1859-- 7 ---07
1860-- + ---33
1861--YTO---40
1862-- 7 ---07
1863-- 5 ---05
1864--GTO---44
1865--S/R---77
1866-- 1 ---01
1867-- 7 ---07
1868--XFR---67
1869-- 7 ---07
1870-- 4 ---04
1871--CHS---32
1872-- UP---27
1873--XFR---67
1874-- 7 ---07
1875-- 7 ---07
1876--FMT---42
1877-- 1 ---01
1878-- UP---27
1879--FMT---42
1880-- 1 ---01
1881-- 4 ---04
1882-- 5 ---05
1883-- 0 ---00
1884--XTO---23
1885-- a ---13
1886--XFR---67
1887-- 6 ---06
1888-- 1 ---01
1889-- UP---27

1890--XFR---67
1891-- 7 ---07
1892-- 4 ---04
1893-- - ---34
1894--YTO---40
1895-- 7 ---07
1896-- 6 ---06
1897--XFR---67
1898-- 6 ---06
1899-- 2 ---02
1900--DIV---35
1901-- G ---15
1902--YTO---40
1903-- 0 ---00
1904--CLX---37
1905--X=Y---50
1906-- 1 ---01
1907-- 9 ---11
1908-- 8 ---10
1909-- 8 ---10
1910-- 9 ---11
1911-- 5 ---05
1912--XTO---23
1913-- a ---13
1914-- 8 ---10
1915-- 9 ---11
1916--XTO---23
1917-- b ---14
1918--XFR---67
1919-- 0 ---00
1920-- UP---27
1921--XFR---67
1922-- 9 ---11
1923-- 0 ---00
1924--X>Y---50
1925-- 1 ---01
1926-- 9 ---11
1927-- 3 ---03
1928-- 8 ---10
1929--EEX---26
1930-- 2 ---02
1931--XTO---23
1932-- a ---13
1933--GTO---44
1934-- 1 ---01
1935-- 9 ---11
1936-- 7 ---07
1937-- 1 ---01
1938--XFR---67
1939--IND---31
1940-- b ---14
1941-- UP---27
1942--XFR---67
1943-- 0 ---00

1944--X>Y---53	1998--FMT---42
1945-- 1 ---01	1999-- 1 ---01
1946-- 9 ---11	2000-- UP---27
1947-- 7 ---07	2001--FMT---42
1948-- 1 ---01	2002-- 1 ---01
1949-- 1 ---01	2003-- 4 ---04
1950--XTO---23	2004--XFR---67
1951-- - ---34	2005-- 7 ---07
1952-- b ---14	2006-- 7 ---07
1953-- 5 ---05	2007-- UP---27
1954--XTO---23	2008--XFR---67
1955-- - ---34	2009-- 6 ---06
1956-- a ---13	2010-- 3 ---03
1957-- b ---14	2011--X>Y---53
1958-- UP---27	2012-- 1 ---01
1959-- 8 ---10	2013-- 3 ---03
1960-- 1 ---01	2014-- 4 ---04
1961--X=Y---50	2015-- 5 ---05
1962-- 1 ---01	2016--END---46
1963-- 9 ---11	
1964-- 7 ---07	
1965-- 1 ---01	
1966--GTO---44	
1967-- 1 ---01	
1968-- 9 ---11	
1969-- 3 ---03	
1970-- 8 ---10	
1971-- 0 ---00	
1972-- UP---27	
1973--XFR---67	
1974-- 7 ---07	
1975-- 6 ---06	
1976--X>Y---53	
1977-- 1 ---01	
1978-- 9 ---11	
1979-- 8 ---10	
1980-- 8 ---10	
1981--EEX---26	
1982-- 2 ---02	
1983-- UP---27	
1984-- a ---13	
1985-- - ---34	
1986--YTO---40	
1987-- o ---13	
1988--CHS---32	
1989-- 2 ---02	
1990-- 4 ---04	
1991-- 0 ---00	
1992-- UP---27	
1993-- a ---13	
1994-- + ---33	
1995--XFR---67	
1996-- 7 ---07	
1997-- 7 ---07	

PEAPS
FORTRAN Program Listing

C
C
C

PEAPS (FORTRAN VERSION)

DIMENSION HEAD(20), D(15), T(15), SALIN(15), S(15)
 DIMENSION SGRAD(15), CD(6), CS(6), PR(13), X(8)
 DIMENSION IH(6)
 INTEGER * 2 IBUF(61, 121)
 DATA X/.12,.25,.38,.52,.67,.84,1.06,1.28/
 INTEGER * 2 IB/' : /
 INTEGER * 2 IDOT/' : ' /
 INTEGER * 2 ISTAR/' * ' /

PI = 3.141592
 RAD = PI / 180.0
 90 DO 91 I = 1, 6
 CD(I) = 0.0
 91 CS(I) = 0.0

C
C
C

READ AND PRINT HEADING CARD (80 COLUMNS MAX)

900 READ (5, 900, END = 9999) HEAD
 FORMAT (20A4)
 WRITE (6, 901) HEAD
 901 FORMAT (1H1, 20A4)

C
C
C

READ AND PRINT INPUT DATA CARDS

902 READ (5, 902) NPTS, MODE, IBT, IWH, ISS, IFOM, SD, RD,
 * SF
 FORMAT (6I5, 3F10.2)
 FOM = FLOAT(IFOM)
 SS = FLOAT(ISS)
 WRITE (6, 903) NPTS, MODE, IBT, IWH, ISS, IFOM, SD,
 * RD, SF
 903 FORMAT (1H0, 22HNUMBER OF SSP POINTS =, I5//
 * 19H RAY PLOTTER MODE =, I5 //14H BOTTOM TYPE =,
 * 15 //14H WAVE HEIGHT =, I5, 3H FT //
 * 15H SYSTEM SIGMA =, I5 //6H FOM =, I5 //
 * 13H SOURCE DEPTH, F10.2, 3H FT //
 * 15H RECEIVER DEPTH, F10.2, 3H FT //
 * 17H SOURCE FREQUENCY, F10.2, 3H HZ)
 WRITE (6, 901) HEAD
 WRITE (6, 904)
 904 FORMAT (1H0, 5X, 5HPOINT, 1X, 5HDEPTH, 4X, 11HTEMPERATURE,
 * 1X, 8HSALINITY, 1X, 11HSOUND SPEED, 1X,
 * 8HGRADIENT)

C
C
C

SPEED OF SOUND PROGRAM

DO 102 I = 1, NPTS
 905 READ (5, 905) D(I), T(I), SALIN(I)
 FORMAT (3F10.2)
 WRITE (6, 906) I, D(I), T(I), SALIN(I)
 906 FORMAT (1H0, I10, 3F10.2)
 T(I) = (T(I) - 32.0) * 5.0 / 9.0
 D(I) = D(I) * 0.3048
 D2 = D(I) * D(I)
 D4 = D2 * D2
 T2 = T(I) * T(I)
 T3 = T2 * T(I)
 S1 = SALIN(I) - 35.0
 S2 = S1 * S1
 S(I) = 1449.3 + 1.5848E-2 * D(I) + 1.572E-7 * D2
 * - 3.46E-16 * D4 + 4.587 * T(I) - 5.356E-2 * T2
 * + 2.604E-4 * T3 + 1.19 * S1 + 9.6E-2 * S2
 * + 1.534E-4 * T2 * D(I) - 7.19E-9 * T(I) * D2
 * - 1.2E-2 * S1 * T(I)
 S(I) = S(I) / 0.3048
 D(I) = D(I) / 0.3048
 WRITE (6, 907) S(I)
 907 FORMAT (1H-, 40X, F10.2)
 IF (I.GT. 1) GO TO 100
 SGRAD(I) = 0.0

```

GO TO 101
100 J = I - 1
   SGRAD(I) = (S(I) - S(J)) / (D(I) - D(J))
101 WRITE (6, 908) SGRAD(I)
908 FORMAT (1H0, 50X, F10.4)
102 CCNTINUE

```

C
C
C

SPEED OF SOUND PROFILE CRITICAL POINTS PROGRAM

```

I = 0
IFLAG = 0
IRUN = -1
J = 1
K = 2
NG = 0
NTEST = -1
103 I = I + 1
   J = J + 1
   NTEST = NTEST + 1
104 IRUN = IRUN + 1
   IF (J .GT. NPTS) GO TO 113
   IF (S(I) .EQ. S(J)) GO TO 103
   IF (NTEST .EQ. 0) GO TO 105
   NTEST = 0
   CS(K) = S(I)
   CD(K) = D(I)
   K = K + 1
   NG = NG + 1
   IF (S(J) .LT. S(I)) GO TO 105
   IFLAG = 1
105 IF (IFLAG .EQ. 1) GO TO 110
106 IF (S(J) .LT. S(I)) GO TO 108
   IF (IRUN .EQ. 0) GO TO 107
   CS(K) = S(I)
   CD(K) = D(I)
   K = K + 1
   NG = NG + 1
   IFLAG = 1
   GO TO 104
107 IFLAG = 1
   GO TO 104
108 IF (IRUN .GT. 0) GO TO 109
   CS(K) = S(I)
   CD(K) = D(I)
   K = K + 1
   NG = NG + 1
109 IRUN = IRUN + 1
   I = I + 1
   J = J + 1
   IF (J .GT. NPTS) GO TO 112
   GO TO 106
110 IFLAG = 0
   IF (S(J) .GT. S(I)) GO TO 111
   CS(K) = S(I)
   CD(K) = D(I)
   K = K + 1
   NG = NG + 1
   GO TO 104
111 I = I + 1
   J = J + 1
   IRUN = IRUN + 1
   IF (J .LE. NPTS) GO TO 110
112 CS(K) = S(I)
   CD(K) = D(I)
   NG = NG + 1
113 CS(1) = S(1)
   CD(1) = D(1)
   CS(6) = S(NPTS)
   CD(6) = D(NPTS)

```

C
C
C

SCUND SPEED PROFILE PROGRAM

```

WRITE (6, 901) HEAD
WRITE (6, 909)
909 FORMAT (1H0, 35HSOUND SPEED PROFILE CRITICAL POINTS //
*      5X, 6H DEPTH, 4X, 14HSPEED OF SOUND )
DO 114 I = 1, 6
114 WRITE (6, 910) CD(I), CS(I)
910 FORMAT (1H0, 2F10.2)
DO 115 I = 1, 61
DO 115 J = 1, 121
115 IBUF(I, J) = 18
WRITE (6, 901) HEAD
WRITE (6, 911)
911 FORMAT (1H0, 37HSPEED OF SOUND (FT/SEC) VS DEPTH (FT))
SMIN = CS(1)
SMAX = CS(6)
DO 116 I = 1, 6
IF (CS(I) .EQ. 0.0) GO TO 116
IF (CS(I) .LT. SMIN) SMIN = CS(I)
IF (CS(I) .GT. SMAX) SMAX = CS(I)
116 CONTINUE
PRI = (SMAX - SMIN) / 12.0
PR(1) = SMIN
V = PR(1)
DO 117 I = 2, 13
V = V + PRI
117 PR(I) = V
WRITE (6, 912) (PR(I), I = 1, 13)
912 FORMAT (F8.1, 12F10.1)
DO 121 I = 1, 61
IF (MOD ((I-1), 10) .EQ. 0) GO TO 119
DO 118 J = 1, 121, 10
118 IBUF(I, J) = 100T
GO TO 121
119 DO 120 J = 1, 121
120 IBUF(I, J) = 100T
121 CONTINUE
WRITE (6, 913) (IBUF(3, J), J = 1, 121)
913 FORMAT (1H , 5X, 121A1)
PRI = (PR(13) - PR(1)) / 120.0
PPDI = D(NPTS) / 60.0
J = NPTS - 1
DO 123 I = 1, J
PPD = D(I)
PPR = S(I)
PPRI = SGRAD(I + 1) * PPDI
122 IPPD = (PPD / PPDI) + 1.5
IPPR = (PPR - PR(1)) / PRI
IBUF(IPPD, IPPR) = 1STAR
PPD = PPD + PPDI
IF (PPD .GT. D(I + 1)) GO TO 123
PPR = PPR + PPRI
GO TO 122
123 CONTINUE
MND = D(NPTS) / 6.0
MNDP = 0
DO 126 I = 1, 61
IF (I .EQ. 1) GO TO 125
IF (MOD ((I-1), 10) .EQ. 0) GO TO 124
WRITE (6, 913) (IBUF(I, J), J = 1, 121)
GO TO 126
124 MNDP = MNDP + MND
125 WRITE (6, 914) MNDP, (IBUF(1, J), J = 1, 121)
914 FORMAT (1H , 15, 121A1)
126 CONTINUE

```

C
C
C
C
C

RAY TRACE PROGRAM

IFLAG = 0
IF (MODE .NE. 2) GO TO 127

READ IN MODE 2 RAY TRACE EMISSION ANGLES

```

127 READ (5, 905) THMIN, DTH, THMAX
    IF (MODE .EQ. 1) GO TO 134
    DO 128 I = 1, 61
    DO 128 J = 1, 121
128 IBUF (I, J) = 18
    WRITE (6, 901) HEAD
    WRITE (6, 915)
915 FORMAT (1H0, 24HRANGE (NM) VS DEPTH (FT) )
    PRI = 5.0
    V = -5.0
    DO 129 I = 1, 13
    V = V + PRI
129 PR(I) = V
    WRITE (6, 912) (PR(I), I = 1, 13)
    DO 133 I = 1, 61
    IF (MOD ((I - 1), 10) .EQ. 0) GO TO 131
    DO 130 J = 1, 121, 10
130 IBUF(I, J) = IDGT
    GO TO 133
131 DO 132 J = 1, 121
132 IBUF(I, J) = IDDT
133 CONTINUE
    PRI = 3000.0
    RMAX = 360000.0
    WRITE (6, 913) (IBUF(3, J), J = 1, 121)

```

C
C
C

```

CONVERGENCE ZONE TEST
    IF (MODE .EQ. 2) GO TO 219
134 IF (CS(6) .GT. CS(2)) GO TO 136
135 WRITE (6, 916)
916 FORMAT (1H0, 19HNO CONVERGENCE ZONE )
    ICZ = 0
    GO TO 139
136 M = 2
137 M = M + 1
    IF (CS(M) .EQ. 0.0) GO TO 135
    IF (CS(2) .GT. CS(M)) GO TO 138
    IF (M .EQ. 6) GO TO 135
    GO TO 137
138 ICZ = 1
139 M = 0
200 M = M + 1
    IF (SD .GE. D(M)) GO TO 200
    SV = ((SD - D(M - 1)) * SGRAD(M)) + S(M - 1)
    THP = (2.0 - (2.0 * SV / CS(2))) ** 0.5
    THPP = (ABS (2.0 - (2.0 * SV / CS(6)))) ** 0.5
    IF (ICZ .EQ. 0) GO TO 227
    THMIN = THPP
    IFLOT = 1
    ISR = 1
201 IF (MODE .EQ. 1) IPLOT = 0
    TH = THMIN
    Z = SD
    R = 0.0
202 M = 0
203 M = M + 1
    IF (D(M) .GT. Z) GO TO 204
    IF (M .EQ. NPTS) GO TO 208
    GO TO 203
204 IF (Z .LT. 0.0) GO TO 208
205 RADIUS = (-SGRAD(M) * (1.0 - ((TH * TH) / 2.0))) /
    * ((SGRAD(M) * (Z - D(M - 1)) + S(M - 1)))
    DR = 5.0 * ((D(M) - D(M - 1)) ** 0.5)
206 RDR = DR * RADIUS
    R = R + DR
    Z = Z + ((RADIUS * (DR * DR)) / 2.0) + (TH * DR)
    TH = TH + RDR
    IF (IPLOT .EQ. 0) GO TO 207
    IPPD = (Z / PP01) + 1.5
    IF (IPPD .GT. 61) GO TO 207
    IPPR = R / PRI

```

```

IF (IPPR .GT. 121) GO TO 207
IBUF(IPPD, IPPR) = ISTAR
207 IF (Z .LT. D(M - 1)) GO TO 202
IF (D(M) .LT. Z) GO TO 202
IF (RMAX .GE. R) GO TO 206
208 GO TO (209, 212, 213, 216, 217, 222, 220), ISR
209 IF (D(NPTS) .LT. Z) GO TO 210
IF (IFLAG .EQ. 1) GO TO 211
THMIN = THMIN + (0.5 * RAD)
IPLOT = 1
ISR = 1
GO TO 201
210 THMIN = THMIN - (0.1 * RAD)
IPLOT = 0
IFLAG = 1
ISR = 1
GO TO 201
211 THBB = THMIN
IFLAG = 0
ICZ = 1
IPLOT = 1
CZMAX = R
ISR = 2
GO TO 201
212 THMIN = THP
IPLOT = 1
ISR = 3
GO TO 201
213 IF (R .GT. (CZMAX / 2.0)) GO TO 214
THMIN = THMIN + (0.1 * RAD)
IPLOT = 0
ISR = 3
GO TO 201
214 IF (R .GT. CZMAX) CZMAX = R
215 CZMIN = R
THMIN = THMIN + (0.5 * RAD)
IPLOT = 1
ISR = 4
GO TO 201
216 IF (R .LT. CZMIN) GO TO 215
THMIN = THMIN - (0.4 * RAD)
IPLOT = 0
ISR = 5
GO TO 201
217 IF (R .GT. CZMIN) GO TO 218
CZMIN = R
THMIN = THMIN + (0.1 * RAD)
ISK = 5
GO TO 201
218 THMIN = THMIN - (0.1 * RAD)
IPLOT = 1
ISR = 6
GO TO 201
219 IF (IFLAG .EQ. 1) GO TO 222
ISF = 7
GO TO 201
220 THMIN = THMIN + DTH
IF (THMIN .LE. THMAX) GO TO 219
ISR = 1
GO TO 223
221 MODE = 1
GO TO 134
222 IBB = 1
CZMIN = CZMIN / 3.0
CZMAX = CZMAX / 3.0
IPLOT = 1
ISR = 2
223 MNDP = 0
DO 226 I = 1, 61
IF (I .EQ. 1) GO TO 225
IF (MOD((I-1), 10) .EQ. 0) GO TO 224
WRITE (6, 913) (IBUF(I, J), J = 1, 121)

```



```

GO TO 226
224 MNDP = MNDP + MND
225 WRITE (6, 914) MNDP, (IBUF(I,J), J = 1, 121)
226 CONTINUE
GO TO (221, 227), ISR
227 CONTINUE

```

C
C

```

TRANSMISSION LOSS PROGRAM
B = FOM
IF(80.GE.FOM) B = 80.0
IF(100.LE.FOM) B = 100.0
B = (B + 15.0) / 20.0
B = 10.0**B
IR = B/20000.0
RMAX = (IR + 1) * 20000
WRITE (6, 901) HEAD
WRITE (6, 917)
917 FORMAT (1H0, 10HRANGE (NM) , 1X, 5HTLOSS , 4X, 4HPDET)
DO 228 I = 1, 61
DO 228 J = 1, 121
228 IBUF(I, J) = IB
PRI = RMAX / 24000.0
PR(I) = 0.0
V = 0.0
DO 229 I = 2, 13
V = V + PRI
229 PR(I) = V
IPFOM = ((IFOM - 40) / 2)
DO 233 I = 1, 61
IF (MOD((I-1), 10) .EQ. 0) GO TO 231
DO 230 J = 1, 121, 10
IBUF(I, J) = IDOT
IF (I .EQ. IPFOM) IBUF(I, J) = ISTAR
230 CONTINUE
GO TO 233
231 DO 232 J = 1, 121
IBUF(I, J) = IDOT
IF (I .EQ. IPFOM) IBUF(I, J) = ISTAR
232 CONTINUE
233 CONTINUE
PRI = RMAX / 120.0
PPDI = 2.0
IF(CS(2).LT.CS(1)) GO TO 304
IF(SD.GT.CD(2)) GO TO 302
IF(RD.GT.CD(2)) GO TO 301
ISD = 1
IRAP = 0
RS = ARCCS(CS(1)/CS(2))*(2.0/3.0)*(CS(1)*(CD(2)-CD(1))
* (CS(2) - CS(1)))
RT = CD(2)/(6.0*ARCCS(SV/CS(2)))
SSL = (0.8/RS)*((WH*SF/1000.0)**0.71)
G = ABS((CS(3)-CS(2))/(CD(3)-CD(2)))
DFL = 744.0*((SF/1000.0)**(-5.0/3.0))*(G**(-1.0/3.0))*
* (CD(2) ** (-3.0))
GO TO 306
301 IRAP = 1
RL2 = CS(2)*(CD(3)-CD(2))/(CS(2)-CS(3))
IF(SD.GT.CD(2)) GO TO 302
RL2 = RL2*(RD-CD(2))/4.5
GO TO 305
302 RL2 = RL2*(SD-CD(2))/4.5
GO TO 305
303 IF(RD.GT.CD(2)) GO TO 304
GO TO 301
304 IRAP = 0
305 ISD = 0
GO TO 307
306 IF(NG.EQ.1) DFL = 0.0
307 IF(ICZ.EQ.1) GO TO 308
GO TO 310
308 CZSTRT = CZMIN

```

```

CZSTOP = CZMAX
IF(IRAP.EQ.1) GO TO 310
IF(ISD.EQ.1) GO TO 310
IDSC = 1
M = 1
309 M = M + 1
IF(CS(M+1).LT.CS(M)) GO TO 309
RPT = (CZMIN/ 8.0)*((CD(M)-CD(2))/(SD-CD(2)))*0.5
GO TO 313
310 FTEST = 32.0 * ((SV / SF) ** 0.7)
IF(FTEST.GT.CD(2)) GO TO 311
GO TO 312
311 ISD = 0
312 ICSC = 0
313 IF(6.LT.IBT) GO TO 314
IF(5.LT.IBT) GO TO 315
IF(4.LT.IBT) GO TO 316
IF(3.LT.IBT) GO TO 317
IF(2.LT.IBT) GO TO 318
BT = 0.66
GO TO 319
314 BT = 2.0
GO TO 319
315 BT = 1.41
GO TO 319
316 BT = 1.18
GO TO 319
317 BT = 1.0
GO TO 319
318 BT = 0.85
319 BLMA = 30.0
IF(3500.0.LT.SF) GO TO 320
IF(2000.0.LT.SF) GO TO 321
BLMA = 50.0
IF(1000.0.LT.SF) GO TO 322
IF(500.0.LT.SF) GO TO 323
IF(100.0.LT.SF) GO TO 324
B1 = 0.2
B0 = -0.83
GO TO 325
320 B1 = 0.35
B0 = 7.12
GO TO 325
321 B1 = 0.28
B0 = 8.21
GO TO 325
322 B1 = 0.19
B0 = 2.09
GO TO 325
323 B1 = 0.17
B0 = 1.97
GO TO 325
324 B1 = 0.18
B0 = 2.06
325 SFKHZ = SF/1000.0
SFKHZ2 = SFKHZ*SFKHZ
A = ((0.1*SFKHZ2)/(1.0+SFKHZ2)) + ((40*SFKHZ2)/(4100.0
* + SFKHZ2))
A = A / 1000.0
ICZRC = 1
H = 1.0
DRWRK = 2000.0
DRPERM = 2000.0
IF (ICZ .EQ. 1) GO TO 3251
IF (CS(6) .GT. SV) GO TO 3250
THP = ARCOS(SV / CS(6))
3250 THBB = THP
3251 R = 0.0
THBL = PI / 2.0
326 IF(THBB.GT.THBL) H = H + 1.0
R = R + DRWRK
THBL = ATAN((R*((CD(6)-SD)/3.0)))/

```

```

*      (H*((2.0*CD(6)-SD)/3.0)))
THBLA = THBL * (180.0 / PI)
IF (BLMA .LT. THBLA) THBLA = BLMA
BL = H * BT * ((THBLA * B1) + B0)
STL = (20.0*ALOG10(R/COS(THBL)) +
*      (A*(R/COS(THBL))) + BL - 6.0)
IF (ISD.EQ.0) GO TO 330
ISR = 1
TL = (A + DFL) * R
IF (RT .LT. R) GO TO 327
TL = TL + 20.0*ALOG10(R)
GO TO 328
327 TL = TL + 10.0*ALOG10(R) + 10.0*ALOG10(RT)
328 IF (RS .GT. R) GO TO 329
TL = TL + (SSL * R)
329 F = (ABS(STL - TL)) / (-10.0)
AD = 10.0 * (ALOG10(1.0 + (10.0 ** F)))
IF (STL.LT.TL) TL = STL
STL = TL - AD
GO TO (330, 334, 338, 339), ISR
330 IF (IRAP.EQ.0) GO TO 334
ISR = 2
RAPTES = (RL2 ** 0.5) + (RS / 2.0)
IF (R.LT.RAPTES) GO TO 331
IRAP = 0
GO TO 330
331 IF (SD.LT.RD) GO TO 332
TL = 20.0*ALOG10((SD*SD + R*R)**0.5) + A*((SD*SD +
*      R * R) ** 0.5)
GO TO 333
332 TL = 20.0*ALOG10((RD*RD + R*R)**0.5) + A*((RD*RD +
*      R * R) ** 0.5)
333 GO TO 329
334 IF (ICZ.EQ.0) GO TO 338
ISR = 3
TL = 20.0*ALOG10(R) + A*R
IF (R.LT.CZSTRT) GO TO 337
IF (R.GT.CZSTOP) GO TO 336
IF (ICZRC.EQ.2) GO TO 335
DRWRK = (CZSTOP - CZSTRT)/10.0
R = CZSTRT - DRWRK
ICZRC = 2
GO TO 326
335 RANGE = R - CZSTRT
GCZMAX = 15.5 - 0.0005*(CZSTOP - CZSTRT)
GB = 0.36 / (GCZMAX*GCZMAX)
RP = RANGE*(GB**.5) / (0.18*(CZSTOP - CZSTRT))
GCZ = (RP/GB) * EXP(-(RP*RP) / (2.0*GB))
TL = TL - GCZ
GO TO 337
336 CZSTRT = CZSTRT + CZMIN
CZSTOP = CZSTOP + CZMAX
DRWRK = DRPERM
ICZRC = 1
337 GO TO 329
338 IF (IDSC.EQ.0) GO TO 339
ISR = 4
TL = 10.0*ALOG10(R) + 10.0*ALOG10(RPT) + A*R
GO TO 329
339 PPD = STL
PPR = R
IPPD = ((PPD - 40.0) / PPDI) + 1.5
IF (IPPD .GT. 61) IPPD = 61
IPPR = (PPR / PRI) + 1.0
IF (IPPR .GT. 121) IPPR = 121
IF (IPPD .GT. 60) IPPD = 60
IBUF(IPPD, IPPR) = ISTAR

```

C
C
C

PROBABILITY OF DETECTION PROGRAM

PD = 0.5
SE = FOM - STL

```

XX = ABS(SE/SS)
IF (XX.EQ.0.0) GO TO 343
PD = 0.95
I = 8
IF (1.64.LE.XX) GO TO 341
340 IF (XX.GT.X(I)) GO TO 342
PD = PD - 0.05
I = I - 1
IF (I.EQ.0) GO TO 342
GO TO 340
341 PD = 1.0
342 IF (SE.GT.0.0) GO TO 343
PD = 1.0 - PD
343 PPD = 61.0 - (PD * 10.0)
IPPD = PPD + 0.5
IF (IPPD.GT.61) IPPD = 61
IBUF(IPPD, IPPR) = ISTAR
RP = R / 2000.0
WRITE (6, 919) RP, STL, PD
918 FORMAT (1H0, 3F10.2)
IF (R.MAX.GT.R) GO TO 326
WRITE (6, 901) HEAD
WRITE (6, 919)
919 * FORMAT (1H0, 35HTLOSS (DB) ABOVE PDET (PERCENT) VS ,
10HRANGE (NM) )
WRITE (6, 912) (PR(I), I = 1, 13)
WRITE (6, 913) (IBUF(3, J), J = 1, 121)
MNDP = 40
MND = 20
DO 347 I = 1, 61
IF (I.EQ.1) GO TO 346
IF (MOD((I-1), 10).EQ.0) GO TO 345
IF (I.GT.50) GO TO 344
WRITE (6, 913) (IBUF(I, J), J = 1, 121)
GO TO 347
344 IF (I.GT.52) GO TO 345
MNDP = 100
MND = -10
345 MNDP = MNDP + MND
346 WRITE (6, 914) MNDP, (IBUF(I, J), J = 1, 121)
347 CONTINUE
GO TO 90
9999 STOP
END

```

APPENDIX E

PEAPS STORAGE LOCATIONS IN THE HP9810A CALCULATOR

A. The operator enters all angles in degrees. The zero degrees direction for all angles is horizontal to the right. Clockwise angles (down) from the horizontal are to be entered as positive (+) angles. Counter-clockwise angles (up) from the horizontal are to be entered as negative (-) angles.

B. All angles are stored and used in radians. Entered angles are automatically converted from degrees to radians for storage by the program:

$$\text{degrees} = \frac{\pi}{180} * \text{radians}$$

$$\text{radians} = \frac{180}{\pi} * \text{degrees}$$

C. Enter all temperatures in degrees fahrenheit (°F). Temperatures are automatically converted to degrees centigrade (°C) for use in the SSP program:

$$^{\circ}\text{C} = \frac{5}{9} (^{\circ}\text{F} - 32)$$

$$^{\circ}\text{F} = 32 + \left(\frac{9}{5} * ^{\circ}\text{C}\right)$$

D. Enter depths in feet (ft). Depths are stored in feet and are converted to the required units as needed in the programs:

meters = 0.3048 * feet

feet = meters/0.3048

yards = feet/3.0

nautical miles (NM) = yards/2000 = meters/1852.

E. Ranges are in feet in the ray trace program and are automatically converted to units of yards for use in the transmission loss/probability of detection program.

F. The following pages of program forms indicate the parameter storage locations used in the PEAPS model. The terms listed are defined in the Table of Symbols and throughout the body of the text.

LIST OF REFERENCES

1. Frye, H.W. and Pugh, J.D., "A New Equation for the Speed of Sound in Sea Water," The Journal of the Acoustical Society of America (JASA), v. 50, pp. 384-386, June, 1971.
2. Urick, R.J., Principles of Underwater Sound for Engineers, McGraw-Hill, Inc., 1967.
3. Thorp, W.H., "Deep Ocean Sound Attenuation in the Sub- and Low-Kilocycle-per-second Region," JASA, vol. 38, p. 648, 1965.
4. Honhart, D.C., Principles of Sound Sonar Range Prediction Oceanography, p. 131, prepared at the Naval Postgraduate School, Monterey, California, Revised May, 1974.
5. Spofford, C.W., The FACT Model, Vols. I and II, Acoustic Environment Support Detachment (AESD), Maury Center for Ocean Science, Washington, D.C., Nov. 1974.
6. Marsh, H.W., Schulkin, M., and Kneale, S.G., "Scattering of Underwater Sound by the Sea Surface," JASA, vol. 33, p. 334, 1961. Also, Marsh, H.W., "Sound Reflections and Scattering from the Sea Surface," JASA, vol. 35, p. 240, 1963.
7. Deleted.
8. Deleted.