

AD/A-007 054

JOB SURVEY OF SPECIAL OPERATIONS  
OFFICERS AND AIRMEN

Joseph E. Morsh, et al

Air Force Human Resources Laboratory  
Brooks Air Force Base, Texas

October 1969

DISTRIBUTED BY:

**NTIS**

National Technical Information Service  
U. S. DEPARTMENT OF COMMERCE

NOTICE

Approved for public release; distribution unlimited.

When US Government drawings, specifications, or other data are used for any purpose other than a definitely related Government procurement operation, the Government thereby incurs no responsibility nor any obligation whatsoever, and the fact that the Government may have formulated, furnished, or in any way supplied the said drawings, specifications, or other data is not to be regarded by implication or otherwise, as in any manner licensing the holder or any other person or corporation, or conveying any rights or permission to manufacture, use, or sell any patented invention that may in any way be related thereto.

ACCESSION for	
NTIS	WFO/Section <input checked="" type="checkbox"/>
DDC	<input type="checkbox"/>
U. S. GOVERNMENT	<input type="checkbox"/>

A

ic

Unclassified

Security Classification

DOCUMENT CONTROL DATA - R & D

(Security classification of title, body of abstract and indexing annotation must be entered when the overall report is classified)

1 ORIGINATING ACTIVITY (Corporate author) Personnel Research Division Lackland Air Force Base, Texas 78236		2a. REPORT SECURITY CLASSIFICATION <b>AD/A-007654</b>	
2b. GROUP			
3 REPORT TITLE  <b>JOB SURVEY OF SPECIAL OPERATIONS OFFICERS AND AIRMEN</b>			
4 DESCRIPTIVE NOTES (Type of report and inclusive dates)			
5 AUTHOR(S) (First name, middle initial, last name)  Morsh, J.E. Nall, R.W.			
6 REPORT DATE <b>October 1969</b>		7a. TOTAL NO. OF PAGES <b>74</b>	7b. NO. OF REFS
6a. CONTRACT OR GRANT NO		9a. ORIGINATOR'S REPORT NUMBER(S)  <b>AFHRL-TR-69-26</b>	
b. PROJECT NO <b>7734</b>		9b. OTHER REPORT NO(S) (Any other numbers that may be assigned this report)	
c. Task <b>773401</b>			
d.			
10 DISTRIBUTION STATEMENT  <b>Approved for public release; distribution unlimited.</b>			
11 SUPPLEMENTARY NOTES		12 SPONSORING MILITARY ACTIVITY  Personnel Research Division Lackland AFB, Texas 78236	

13 ABSTRACT

At the request of the Office of the Chief of Staff, HQ USAF, this study was undertaken to identify special operations (SO) activities performed by Air Force personnel. This information is needed for management decisions related to attendance, course schedules, and content of training courses for the USAF Special Operations School. Officer and airman job inventories were constructed to include work tasks related to psychological operations, civic actions, counterinsurgency, and unconventional warfare. These inventories were administered to all personnel identified by commands as performing SO activities. Complete returns were obtained from 404 officers and 189 airmen, most of whom reported spending only part time on SO tasks. Accepting the sample as being reasonably complete, one must conclude that SO is a relatively small Air Force enterprise at the present time. The study includes an analysis of SO job types and ratings of the extent of need on the job of certain courses and educational topics related to SO.

Reproduced by  
**NATIONAL TECHNICAL  
INFORMATION SERVICE**  
US Department of Commerce  
Springfield, VA. 22151

14 KEY WORDS	LINK A		LINK B		LINK C	
	ROLE	WT	ROLE	WT	ROLE	WT
airman specialties background variables career fields checklist civic action counterinsurgency data collection duties duty AFSC hierarchal grouping job analysis job description job grouping job inventory job types military jobs occupational survey psychological operations rating scales sampli.ng special operations special air warfare survey administration task ratings task statements unconventional warfare utilization fields						

1A

AFHRL-TR-69-26

October 1969

**JOB SURVEY OF SPECIAL OPERATIONS OFFICERS AND AIRMEN**

By

Joseph E. Morsh  
Robert W. Nall, Sgt, USAF

Approved for public release; distribution unlimited.  
fic

PERSONNEL RESEARCH DIVISION  
AIR FORCE HUMAN RESOURCES LABORATORY  
AIR FORCE SYSTEMS COMMAND  
Lackland Air Force Base, Texas

16

## FOREWORD

The survey of Special Operations officers and airmen was undertaken at the request of the Chief of Staff, United States Air Force, in order to provide information for management decisions related to attendance, course schedules, and content of training courses for the USAF Special Operations School (TAC).

The work was carried out under Project 7734, Development of Methods for Describing, Evaluating, and Structuring Air Force Occupations; Task 773401, Development of Methods for Collecting, Analyzing, and Reporting Information Describing Air Force Specialties.

Occupational Analysis Branch personnel were given comprehensive briefings by Lt Col Roy A. De Gaugh, HQ USAF (AFXPDR), and by Lt Col Curtiss J. Porter, USAF Air Warfare Center (TAC). The preliminary job activities list was reviewed in conference with members of the Occupational Analysis Branch by the following officers: Lt Col Angelo Fortuna, HQ USAF (AFXDOC), Lt Col John L. Mansfield, HQ USAF (AFXOSO), Lt Col Edward K. Mills, USAF Special Operations School (TAC), and Major John R. Pattee, HQ USAF (AFXPPGS). These officers also participated in the mail review and contributed much to the clarity and completeness of the final Special Operations Officer Job Inventory.

Because of several official changes in terminology since this study was initiated, the report includes references to Special Air Warfare (SAW), Special Air Operations (SAO), and Special Operations (SO). To reflect proper current terminology all such references should be read Special Operations.

Approved for public release; distribution unlimited.

## ABSTRACT

At the request of the Office of the Chief of Staff, HQ USAF, this study was undertaken to identify Special Operations (SO) activities performed by Air Force personnel. This information is needed for management decisions related to attendance, course schedules, and content of training courses for the USAF Special Operations School. Officer and airman job inventories were constructed to include work tasks related to psychological operations, civic actions, counterinsurgency, and unconventional warfare. These inventories were administered to all personnel identified by commands as performing SO activities. Complete returns were obtained from 404 officers and 189 airmen, most of whom reported spending only part time on SO tasks. Accepting the sample as being reasonably complete, one must conclude that SO is a relatively small Air Force enterprise at the present time. The study includes an analysis of SO job types and ratings of the extent of need on the job of certain courses and educational topics related to SO.

## SUMMARY

Morsh, J.E. & Nell, R.W. *Job survey of special operations officers and airmen.* AFHRL-TR-69-29. Lackland AFB, Tex.: Personnel Research Division, Air Force Human Resources Laboratory, October 1969.

Approved for public release; distribution unlimited.

### Problem

The purpose of the job survey of Special Operations (SO) officers and airmen was to identify SO activities performed in order to provide information for management decisions related to attendance, course schedules, and content of training course for the Special Operations School (TAC)

### Approach

With the assistance of major commands, an attempt was made to identify names and locations of Air Force personnel who perform SO activities. Work activities, potential course elements, and appropriate background items were assembled into job inventories, one for officers and one for airmen. After field review these inventories were administered to all officers and airmen identified as performing SO activities. Through computer analysis, job descriptions of groups engaged in psychological operations, civic action, counterinsurgency, and unconventional warfare activities were published and reported, curriculum requirements were analyzed, and types of jobs associated with various SO functions were defined.

### Results

1. Rosters furnished by major commands included many officers and airmen supposedly engaged in SO activities who disclaimed performing such tasks. Of 793 officers and 497 airmen on the original rosters, complete returns were obtained from 404 officers and 189 airmen.

2. The samples included officers in 23 utilization fields and airmen in 24 career fields. Only 44 officers who responded to the inventory hold Special Air Warfare AFSC 0317

3. SO tasks form only a part, and in many cases only a small part, of the jobs of personnel surveyed. Of the 404 officers, 123 reported spending 10 percent or less of their time on SO. Of the 189 airmen, 56 reported spending 10 percent or less of their time on SO.

4. Providing guidance to indigenous personnel accounted for only a minor part of SO activities, constituting only about 5 percent of officer SO work time, and less than 8 percent of airman SO work time. None of the 115 tasks in the officer inventory concerned with providing guidance was performed by any one of 202 officers, and only 11 officers reported spending more than 25 percent of their SO time on guidance tasks. Similarly, none of the 98 guidance tasks in the airman inventory was performed by any of 98 airmen, while only 9 airmen reported spending more than 25 percent of their SO time on guidance tasks.

5. None of the 106 instructing tasks in the officer inventory was performed by 177 officers and only 54 officers reported spending more than 25 percent of their SO time on instructing. Of these 9 were full time instructors. Seventy-one of the airmen surveyed did not perform any of the 78 instructing tasks in the airman inventory and only 22 airmen reported spending more than 25 percent of their SO time on instructing. Of these, 4 were full time instructors.

6. Officers indicated some need in their jobs for 26 of 49 courses and for 64 of 96 educational topics listed in the inventory. Airmen reported need for 39 courses and 58 topics.

7. Of 33 officer job types identified, only four stood out clearly and distinctly. One of these was a group of instructors while each of the other three spent all of their SO work time on civic action, counterinsurgency, or unconventional warfare, respectively. Ten of the 15 airman job types spent more than half of their SO work time on civic action duties. The five other airman job types tended to concentrate their SO time on counterinsurgency, unconventional warfare, or psychological operations.

### Conclusions

1. There is good reason to believe that the samples surveyed were incomplete because informal sources identified both officer and airman personnel who performed SO tasks but were not listed on the rosters furnished by major commands.

**Preceding page blank**



2. If the sample can be considered to be reasonably complete, then it must be concluded that SO is a relatively small Air Force enterprise. Many who work in SO are really performing their regular jobs which require no special SO training. For example, 129 of the 404 officers in the survey sample reported spending full time and 120 reported spending part time as aircraft crewmembers; 57 of the 189 airmen worked full time and 14 worked part time on maintenance.

3. While civic action, psychological operations, counterinsurgency, and unconventional warfare are more or less discrete concepts under the general SO designation, these categories do not appear to be well differentiated in terms of job assignment. Only 90 officers (22 percent) and 70 airmen (36 percent) reported working exclusively in one area. A total of 102 officers and 29 airmen reported spending some time in all four areas while 127 officers and 34 airmen worked in three areas.

This summary was prepared by J.E. Morsh, Occupational and Career Development Branch, Personnel Research Division, Air Force Human Resources Laboratory.

## TABLE OF CONTENTS

	<b>Page</b>
I. Introduction . . . . .	1
II. Special Operations Officer Survey . . . . .	2
Construction of the Special Operations Officer Job Inventory . . . . .	2
Officer Survey Sample . . . . .	3
Attitude Toward the Survey . . . . .	6
III. Analysis of Officer Survey Data . . . . .	6
Special Operations Officer Subsample Job Descriptions . . . . .	6
Special Operations Officer Job Types . . . . .	6
IV. Special Operations Airman Survey . . . . .	18
Construction of the Special Operations Airman Job Inventory . . . . .	18
Airman Survey Sample . . . . .	19
V. Analysis of Airman Survey Data . . . . .	19
Allocation of Work Time to Special Operations Activities . . . . .	19
Special Operations Airman Job Types . . . . .	19
VI. Discussion . . . . .	31
Appendix I. Commands and Operating Agencies Canvassed for Participation in Special Operations Job Survey . . . . .	33
Appendix II. Example References . . . . .	34
Appendix III. Comments of Surveyed Officers . . . . .	35
Appendix IV. Special Operations Officer Group Job Description . . . . .	37
Appendix V. Special Operations Airman Group Job Description . . . . .	59

## LIST OF TABLES

<b>Table</b>	<b>Page</b>
1 Special Operations Officer Survey Sample by Command, Grade, and Utilization Field . . . . .	5
2 Allocation of Total Work Time Spent in SO to each SO Entry Category . . . . .	7
3 Summary of Percentage of SO Time Spent on Duties by Officer Job Types . . . . .	10
4 Percentage of SO Time Spent by Officers in Terms of Kind of Tasks Performed . . . . .	13
5 Number of SO Officers Reporting Full Time and Part Time Work Activities . . . . .	14
6 Mean Rating by SO Officers of Extent of Need on Job of Training Courses . . . . .	15

**List of Tables (Continued)**

<b>Table</b>		<b>Page</b>
7	Mean Rating by Officers of Extent of Need on Job of SO Educational Topics . . . . .	16
8	Special Operations Airman Survey Sample by Command, Grade, and Career Field. . . . .	20
9	Summary of Percentage of SO Time Spent on Duties by Airman Job Types . . . . .	23
10	Percentage of SO Time Spent by Airmen in Terms of Kinds of Task Performed . . . . .	26
11	Number of SO Airmen Reporting Full Time and Part Time Work Activities . . . . .	27
12	Mean Rating by SO Airmen of Extent of Need on Job of Training Courses . . . . .	28
13	Mean Rating by Airmen of Extent of Need on Job of SO Educational Topics . . . . .	29

**LIST OF FIGURES**

<b>Figure</b>		<b>Page</b>
1	Number of officers reporting percentage of time spent in special operations . . . . .	7
2	Special operations officer branch diagram of total sample, clusters, and job types . . . . .	9
3	Number of airmen reporting percentage of time spent in special operations . . . . .	21
4	Special operations airmen branch diagram of total sample, clusters, and job types . . . . .	22

## JOB SURVEY OF SPECIAL OPERATIONS OFFICERS AND AIRMEN

### I. INTRODUCTION

In April 1968, a letter from the Office of the Chief of Staff, United States Air Force, directed to 22 major commands, announced the initiation of a study to identify Special Operations (SO)<sup>1</sup> training requirements and training schedules. The projected study was to include unconventional warfare (UW), counterinsurgency (COIN), psychological operations (PSYOP), civic action (CA), and other Special Operations activities. The purpose of the study was to provide information needed for management decisions related to attendance, course schedules, and content of training courses now established for the Special Operations School, and to determine training requirement entries on manpower requisition documents. The plan sought also to explore the relationships among the various courses and the desirability and practicality of joint-service training in the areas of interest.

Appropriate commands were directed to "require the commander of each unit within their command to include the lowest echelon units which receive manpower documents, to provide an identification, by manpower document and line-item, of each position which should be filled by individuals schooled in civic action, UW, COIN, PSYOP, or other Special Air Warfare type activities . . . Included with each line-item identified will be an indication of importance of the training to the job, i.e., mandatory or desirable." More specifically, the plan defined the following areas for study:

Under a high priority Requirement for Personnel Research (RPR), the Air Force Personnel Research Laboratory, with the assistance and support of other AF agencies as needed, will:

- a. Initiate correspondence to obtain the identification of manpower documents and line-items as indicated in paragraph 3 above.

<sup>1</sup>Since this study was initiated, the official term for *Special Air Warfare* has been changed first to *Special Air Operations* and then to the term currently in use, *Special Operations*. Except in material quoted from references and from the survey instruments themselves, the term *Special Operations* is used consistently throughout this text.

- b. Collect the data generated by organization commanders.

- c. Obtain a manpower document description of duties and responsibilities pertinent to each line-item identified.

- d. Develop and administer a task inventory or task inventories in accordance with standard Laboratory procedures.

- e. Analyze the inventory data and other pertinent data using the hierarchal grouping technique and/or other methods and techniques as appropriate.

- f. Develop or determine:

- (1) Training standards.

- (2) Special Air Warfare type training requirements (mandatory/desirable) for each line-item identified and parallel line-items not identified.

The requirement to identify and develop training standards and training requirements (paragraph f) was considered to be outside the scope of the Personnel Research Division's research mission and, therefore, was not undertaken. Other requirements defined in the plan for the study were identified as being both within the mission obligation and the areas of competence of the Division. Consequently, the following activities were undertaken:

1. Identification of names and locations of all Air Force personnel who perform SO activities.

2. Preparation of preliminary lists of significant activities performed by individuals engaged in SO.

3. Definition of potential curriculum elements from information derived from conferences and correspondence with key individuals associated with SO activities.

4. Assembly of preliminary forms for officer and airman survey instruments to include work activities, potential course elements, and appropriate background items.

5. Review of preliminary forms of officer and airman SO job inventories by officers and airmen in the field.

6. After revision on the basis of field review, publication of survey instruments and administration to all officers and airmen identified as performing SO activities.

7. After data analysis publication of job descriptions of individuals engaged in psychological operations, civic action, counterinsurgency, and unconventional warfare activities at specific locations throughout the world.

8. Analysis of curriculum requirements reported by individuals in each group of interest.

9. Submission of analysis reports to an ad hoc group convened by the Tactical Air Command for determination of training needs, mandatory and desirable training requirements, and course schedules.

10. Definition of Air Force job types associated with psychological operations, civic action, counterinsurgency, and unconventional warfare activities, for submission to Headquarters United States Air Force (AFDPDCS) to provide guidance for modification of Air Force classification structures.

To accomplish the proposed research, job inventories were constructed for officers and airmen engaged in SO activities throughout the world. The officer and airman samples were identified and located by mailing address, and survey instruments were administered on an individual basis. Finally, data were key-punched and analyzed by means of computer programs designed to handle occupational data. This report describes the survey procedures and analyses of data for both officers and airmen who perform SO activities.

## II. SPECIAL OPERATIONS OFFICER SURVEY

### Construction of the Special Operations Officer Job Inventory

After comprehensive briefings and a thorough review of Air Force and Army course curricula, manuals, and other source materials, a preliminary list of significant activities performed by officers engaged in SO activities was prepared. These work elements or tasks were grouped under four categories: psychological operations (PSYOP), civic

action (CA), counterinsurgency (COIN), and unconventional warfare (UW).

In conference with members of the Occupational Analysis Branch of the Personnel Research Division, the preliminary job activities list was reviewed, task by task, by three officers from HQ USAF and one officer from the Special Operations School.

As a result of the conference review, the preliminary task list was considerably revised and expanded, and a draft version of the Special Operations Officer Job Inventory was constructed. For field review of the draft inventory, copies were mailed to the four officers who had attended the conference, to faculty members of the Special Operations School, to an officer representing United States Air Forces Southern Command (USAFSO), and to an officer at Headquarters, United States Commander in Chief Southern Command (USCINCSO). The field review proved to be extremely productive of useful inventory information. Suggestions were sent in for additional task statements, for items of background information, and for reorganization of the inventory. A comprehensive list of educational topics was received from the Special Operations School.

The operational version of the Special Operations Officer Job Inventory was developed after incorporating information derived from the field reviews and eliminating tasks, such as those concerned with maintenance or clerical activities, which most likely would be performed by airmen. The final form was made up of five sections. The first section contained items of identification and assignment information including a list of 30 activities where the officer checked those on which he worked full time or part time.

The second section was a duty-task list in which 833 tasks were listed under 22 duty categories. The respondent was required to check all tasks he performed, then to rate the relative amount of time spent on each task compared with other tasks he performed. Time spent was indicated in terms of a 7-point scale ranging from a rating of 1 for "very much below average" to a rating of 7 for "very much above average." The duty categories and number of tasks included in each were as follows:

Duty	Tasks
A. Planning and organizing civic action operations	52
B. Directing and supervising civic action operations	43
C. Coordinating civic action operations	36
D. Evaluating civic action operations	21
E. Instructing in civic action operations	63
F. Providing guidance in performing civic action operations	65
G. Performing civic action operations	124
H. Planning and organizing psychological operations	33
I. Directing and supervising psychological operations	22
J. Coordinating psychological operations	13
K. Evaluating psychological operations	28
L. Instructing in psychological operations	17
M. Performing psychological operations	49
N. Using communications media for psychological operations	15
O. Planning and organizing counterinsurgency operations	18
P. Directing and supervising counterinsurgency operations	21
Q. Coordinating counterinsurgency operations	31
R. Evaluating counterinsurgency operations	15
S. Instructing in counterinsurgency operations	40
T. Performing counterinsurgency operations	73
U. Planning and organizing unconventional warfare operations	14
V. Performing unconventional warfare operations	37

In the third section four kinds of training courses were listed: 19 formal training courses, 14 special training courses, 13 SO training courses, and 3 professional school training courses. On a 7-point scale ranging from a rating of 1 for "no need" to a rating of 7 for "essential," the officer was asked to rate the courses in terms of the extent to which he needed to know each topic in order to perform his work.

The fourth section of the inventory consisted of a list of 69 SO educational topics. Using the same scale he had used in rating training courses, the officer was asked to rate the extent to which he needed to know each topic in order to perform his work.

On the last page of the inventory the officer was to indicate the percentage of time spent in actually performing civic action, psychological operations, counterinsurgency, or unconventional warfare functions. He also reported percentages of time spent guiding indigenous personnel in the performance of these functions.

#### Officer Survey Sample

To identify officers and airmen who spend full time or part time in planning or performing SO activities, commands were requested to furnish the following information:

1. Manpower document and line-item identification of manpower positions within the command which require incumbents in the positions who plan or perform psychological operations, civic action, counterinsurgency, or unconventional warfare.
2. Manpower document and line-item identification of manpower positions which require air officers in the grade of colonel and above who should attend a Senior Officers Counterinsurgency Orientation Course prior to their assignment in the positions.
3. Name, service number, present military address, and Duty Air Force Specialty Code (DAFSC) of the present incumbents of the positions identified.
4. Indication of the degree of need for training based on a scale as follows:

- A - Orientation level training mandatory
- B - Orientation level training desirable
- C - Operations level training mandatory
- D - Operations level training desirable
- E - Planning level training mandatory
- F - Planning level training desirable
- G - Training neither mandatory nor desirable

It was requested that the data be prepared by appropriate lowest echelon units which receive manpower documents and accumulated through the chain of command. Appendix I shows the complete list of commands from which participation was solicited. Also indicated are those commands which had no Air Force positions requiring full time or part time performance in SO areas. The survey sample was obtained from the following commands and operating agencies:

Command or Agency	Number
Air Training Command (ATC)	28
Tactical Air Command (TAC)	404
Pacific Air Forces (PACAF)	46
United States Air Forces Europe (USAFE)	49
Headquarters United States Air Force (HQ USAF)	40
Includes: Headquarters Command (HQ COMD)	
Air University (AU)	7
Strategic Air Command (SAC)	1
Air Force Communications Service (AFCS)	8
United States Air Forces Southern Command (USAFSO)	108
Alaskan Command (ALCOM)	1
Unified Commands (UNIFIED CMD)	101
Includes:	
Military Assistance Command, Vietnam (MACV)	
Headquarters, Atlantic Command (HQ LANTCOM)	
Commander in Chief, Pacific Command (CINC PAC)	
United States Strike Command (USSTRICOM)	
Headquarters United States Forces, Azores (HQ USF AZORES)	
Military Assistance Advisory Group (MAAG)	
Special Operations Task Force, Europe (SOTFE)	
Joint United States Public Affairs Office (JUSPAO)	
Military Assistance Command Civil Operations for Revolutionary Development Support (MACCORDS)	
Air Force Advisory Team (AFAT)	
Omni-Directional Range, India (ODR, INDIA)	
Air Force Group (AFGP)	
Commander Military Mission (COMISH)	
Joint Chiefs of Staff (JCS)	
United States Southern Command (USSOUTHCOM)	
Total	793

From rosters supplied by the participating commands, job inventory booklets were mailed individually to 793 officers in the survey sample. Second booklets were sent to 213 of these officers who failed to reply. A total of 246 blank booklets were returned to the Personnel Research Division. Uncompleted inventories were returned because the addressed officers had been transferred, had retired or separated from active duty, had died, or claimed that they did not now perform and never had performed any of the SO duties and tasks listed in the inventory. A few blank booklets were sent back by officer incumbents who were engaged in SO activities but whose jobs were said to be classified so that any identification of particular duties or tasks performed would constitute a breach of security. An additional 50 booklets which contained responses to certain assignment items or included some course ratings were eliminated because they had no ratings of any of the tasks. In 96 cases tasks had been rated, but the percentage of time spent on these tasks was not given as required in the last section. Followup letters were sent to these 96 officers requesting the missing information. Despite efforts to obtain a 100 percent sample of Air Force personnel engaged in SO activities, a perusal of articles appearing in the daily papers, in *Air Force Times*, and in *Airman*, an unofficial Air Force publication, indicated that some officers and airmen who were performing certain SO functions had not been included in the survey sample. Examples of such references are shown in Appendix II.

From the 793 officers on the original roster, 404 inventories were received with responses showing the relative time spent on tasks and the percentage of time allocated to SO activities. These 404 cases were used in the analysis of the officer survey. The distribution of officers by command, grade, and utilization field is shown in Table I. Among the officers surveyed, ten major commands and the unified commands were represented. Grades ranged from second lieutenant through colonel, the mean grade being major. Among the officers surveyed, 23 utilization fields were represented; 181 officers were assigned as pilots, with 57 of these working in air operations and 15 as flight training instructors. Commander and director specialties accounted for 52 members of the sample, and 52 were navigator-observers. Only 44 of the officers actually held DAFSC 031X, Special Air Warfare Officer.

**Table 1. Special Operations Officer Survey Sample by Command,  
Grade, and Utilization Field**  
(N = 404)

Distribution Variable	Number
<b>Command</b>	
Tactical Air Command	150
United States Air Forces Southern Command	77
Pacific Air Forces	40
United States Air Forces Europe	39
Headquarters Command	27
Headquarters United States Air Force	25
Air Training Command	18
Air University	1
Military Airlift Command	1
Air Force Communications Service	1
Unified Commands	25
<b>Officer Grade</b>	
Second Lieutenant	2
First Lieutenant	9
Captain	127
Major	135
Lieutenant Colonel	82
Colonel	49
<b>Utilization Field</b>	
00XX Commander and Director Specialties	52
031X Special Air Warfare	44
10XX- } Pilot	181
14XX }	
15XX Navigator-Observer	52
16XX Aircraft Control	4
19XX Safety	2
26XX Scientific	2
28XX Development Engineering	5
30XX Communications - Electronics	3
32XX Avionics	1
43XX Aircraft Maintenance	1
60XX Transportation	1
64XX Supply Management	2
66XX Logistics	1
70XX Administration	1
75XX Education and Training	2
79XX Information	6
80XX Intelligence	16
90XX Health Services Management	2
91XX Biomedical Sciences	1
93XX Physician	7
98XX Dental	1
99XX Veterinary	1
Not Reported	16



### Attitude Toward the Survey

The attitude of officers toward the survey varied from extremely favorable to extremely unfavorable. Some officers were more than cooperative in their efforts to provide the required information. One major, for example, reproduced the 56-page inventory booklet and then completed one copy in terms of his former assignment and the second copy according to his present job. Some officers who did not work in SO and hence could not complete the inventory were quite receptive toward the project. One colonel, for instance, wrote ". . . please feel free to contact me if further information is required." On the other hand, the reactions of some officers were decidedly negative as reflected in the comment of a colonel who wrote, "This is the silliest damn form I have ever been exposed to. Congratulations!"

More than 200 communications were received from surveyed officers. They ranged from letters of several pages to brief notes scrawled on the inventory booklets. Many officers returned blank booklets with an explanation that they had been erroneously identified as working in SO or that they were not now and never had been assigned to such activities. Excerpts from typical letters appear in Appendix III.

### III. ANALYSIS OF OFFICER SURVEY DATA

#### Special Operations Officer Subsample Job Descriptions

Included in the data were estimates by the officers of the percentage of their total work time devoted to SO activities. Plotting of these percentages resulted in the bimodal, U-shaped distribution shown in Figure 1. The SO officers tended to spend a great deal of their time or else very little time on SO functions. This finding suggested the possibility that officers who spend little time in SO perform different tasks than do officers who devote more time to such work. To test this hypothesis the total sample of 404 was divided into four subsamples: 124 officers who spend 1 percent to 10 percent time in SO; 87 officers who spend 11 percent to 50 percent time in SO; 84 officers who spend 51 percent to 90 percent time in SO; and 109 officers who spend 91 percent to 100 percent time in SO.

When consolidated job descriptions were published for each of these subsamples, however, no significant difference and no outstanding features

were shown for any of the subsamples in terms of duties or tasks performed. Officers in all four groups did essentially the same tasks but allocated different amounts of time to them. The similarity of time spent on various SO functions by the subsamples is demonstrated in Table 2. This table summarizes the percentages of duty time devoted to the four SO categories, the allocation of time by the total sample, and expected percentages if time were distributed equally among all tasks.

#### Special Operations Officer Job Types

An automated job clustering program was used to identify and describe the job types existing in the SO officer survey sample. This computer program begins with the task performance data provided by members of the sample. In the first stage of the procedure, the computer locates the two individuals whose jobs are most similar in terms of overlapping time spent on tasks, combines them into a single group, and computes the consolidated job description. In the next stage the computer locates and combines the two most similar of the remaining group members either by adding an individual to the pair already combined or by merging two individuals to form a new group. In successive stages the computer continues to combine individuals, to add individuals to groups, and to merge groups, according to the similarity of their job descriptions. The process is repeated until all individuals are combined into a single group. Task and duty job descriptions can be printed out for significant job types formed at any stage of the clustering program. The group job description, GPT001, for the 404 SO officers in the survey sample is presented in Appendix IV. Two officers evidently misunderstood the directions and responded to every task in the inventory. As a result, the last 35 tasks appearing in the job description are probably not being performed.

In four columns the computer printout shows respectively the percentage of group members performing each task, the average percentage of time spent by those members who perform the task, the average percentage of time spent on each task by all members of the group, and the cumulative sum of the average percentage of time spent by all members. The third column of job type data sums to 100 percent, thus showing the distribution of work time for the group. The tasks are arranged in descending order of values in this column. The fourth column, in which values in the third column are cumulated, is useful for quickly indicating the major tasks of the job type.

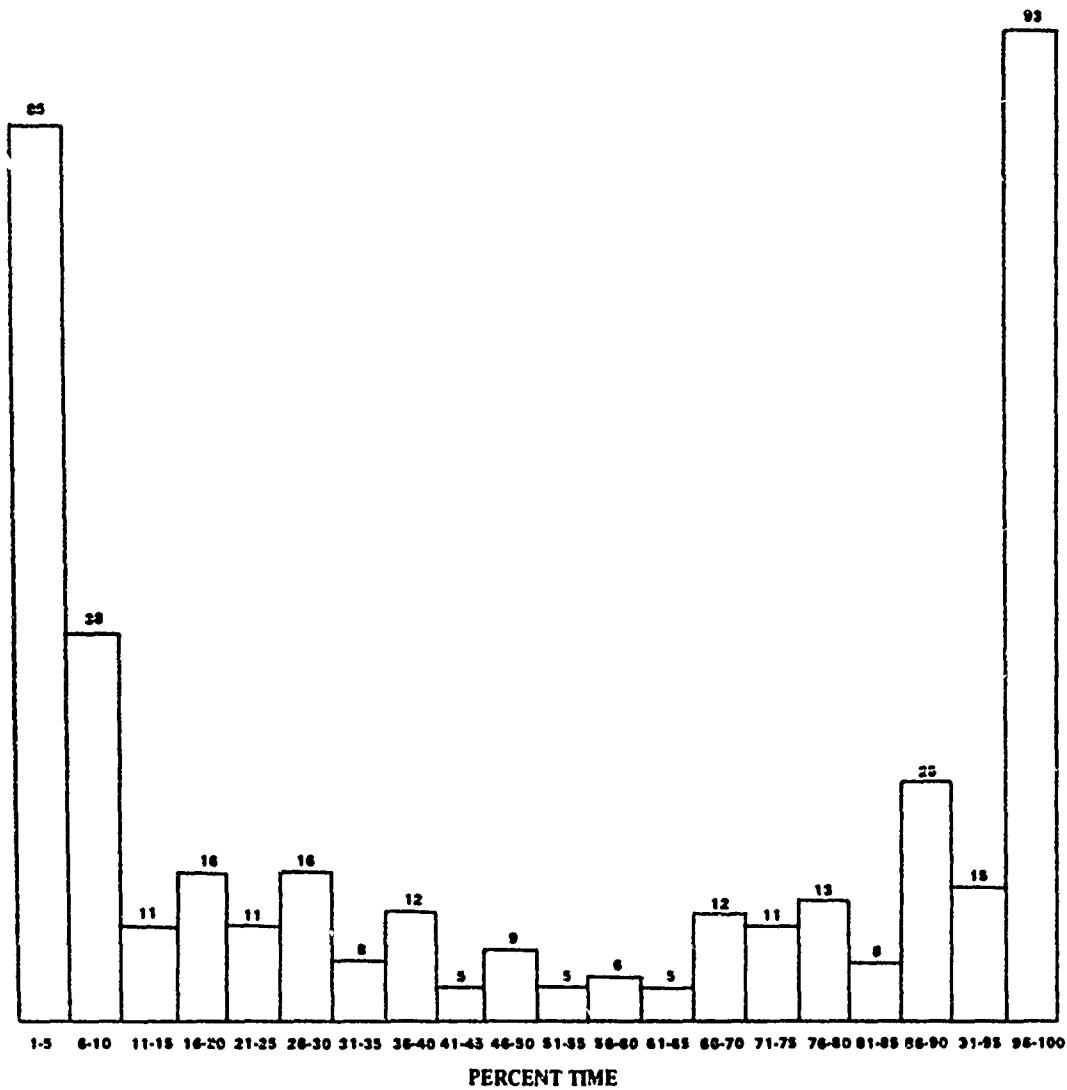


Fig. 1. Number of officers reporting percentage of time spent in special operations.

Table 2. Allocation of Total Work Time Spent in SO to Each SO Duty Category

SO Duty Category	Number of Tasks	Expected Percentage with Time Equally Distributed	Actual Percentage for Total Sample (N = 404)	Percentage of Total Time Spent in SO Devoted to Each Duty Category			
				1%-10% Subsample (N = 124)	11%-50% Subsample (N = 87)	51%-90% Subsample (N = 84)	91%-100% Subsample (N = 109)
7 CA Duties	404	48.49	34.64	44.68	27.72	29.61	34.06
7 PSYOP Duties	177	21.24	12.99	8.70	10.94	16.39	11.40
6 COIN Duties	201	24.12	41.33	40.12	47.24	42.41	41.07
2 UW Duties	51	6.12	11.03	6.50	14.09	11.57	13.46
Total	833	99.97	99.99	100.00	99.99	99.98	99.99

As mentioned earlier, officers in the survey sample reported spending from 1 to 100 percent of their work time on SO activities (see Figure 1). As a further check to see if officers spending part time on such work might fall into different job types as compared with officers who spend full time or almost full time on SO activities, the total sample of 404 officers was divided into two subgroups: one subgroup of 211 officers who reported spending from 1 to 50 percent of their time in SO and the other subgroup of 193 officers who reported spending from 51 to 100 percent of their time in SO. The automated job clustering program was applied to both subgroups. The 1 to 50 percent subgroup formed one job type cluster and 25 job types of four or more members. The 51 to 100 percent subgroup formed one job type cluster and 19 job types. In terms of specific tasks performed, however, there was a great deal of overlap in the work performed by the two subgroups. The percentage of time spent on SO activities was not reflected in the performance of different kinds of tasks. It was decided, therefore, to apply the job clustering program to the total sample of 404 cases regardless of the time devoted to SO activities by individual members. As a result one cluster containing 5 job types and 28 other significant job types were identified. With only four exceptions, to be discussed later, all of the job types contained members from both subgroups. The relationships of the job type groups in the officer total sample are shown in the branch diagram in Figure 2.

There was more dissimilarity in work performed by members of the SO officer survey sample than in that of any other officer group ever surveyed by the Personnel Research Division. The average overlap of time spent on SO tasks by the 404 members was 5.71 percent, and only three job types had an average overlap of time spent by members greater than 50 percent, the highest being 53.06 percent. In other words, SO officers perform extremely diversified tasks.

Table 3 shows the distribution of SO time devoted to the 22 duty categories in the Special Operations Officer Job Inventory. The "% expected" column shows percentage of time that would be allocated to each duty if time were distributed equally across all tasks in the inventory. The "expected" percentages are proportional to the number of tasks included in each duty. When the 404 officers in the sample are considered as a group, it is found that five duties account for over 50 percent of time spent in SO activities. These duties in order of time spent on them are: Duty T, Performing counterinsurgency operations (19.51 percent), Duty G, Performing civic action operations (11.69 percent), Duty A, Planning and

organizing civic action operations (7.92 percent); Duty S, Instructing in counterinsurgency operations (7.81 percent); and Duty U, Planning and organizing unconventional warfare operations (5.84 percent). Over half of the officers surveyed perform the first three of these duties (Duties T, G, and A). Civic action operations (Duty G) are performed by more members (61.39 percent) than any other duty category. The tasks upon which most time is spent are concerned with flying aircraft. Many of these are normal activities of a pilot but are performed in a situation. Only 36 of the 833 tasks in the inventory are not performed by any member of the survey sample.

Of the 33 SO officer job types identified, only four stand out clearly and distinctly in terms of kinds of tasks performed. GPT041 is a group of seven instructors, six of whom spend approximately 79 percent of their SO time in instructing aircrew members in counterinsurgency activities. The five officers forming job type GPT076 spend all of their SO time in civic action functions. On the other hand, approximately 99 percent of SO time of the five officers in job type GPT086 is devoted to counterinsurgency tasks. Members of GPT139 spend about 75 percent of their SO time on unconventional warfare activities.

The members of 25 job types report spending some time in all four major SO areas, civic action, psychological operations, counterinsurgency, and unconventional warfare; however, they devote different proportions of time to these functions. In 13 of these job types, the emphasis is upon counterinsurgency activities although the particular tasks may vary. In three job types, GPT061, GPT062, and GPT081, psychological operations predominate. The members of three other job types, GPT051, GPT084, and GPT127, devote most time to civic action. The 25 members of GPT127 devote approximately 95 percent of their SO time to civic action during which they perform 24 tasks not done by any other job type. In their performance of psychological operations, members of job type GPT081 perform eight tasks not done by any other group. In job type GPT089 there are 10 unique tasks.

The members of six job types perform no unconventional warfare activities. Besides GPT041 and GPT076 mentioned earlier, these include job types GPT050, GPT065, GPT070, and GPT139. Members of groups GPT041, GPT076, GPT086, and GPT108 report spending no time on psychological operations. Job type GPT086 is the only group whose members spend no time on civic action activities, while GPT076 is the only group devoting no time to counterinsurgency activities.

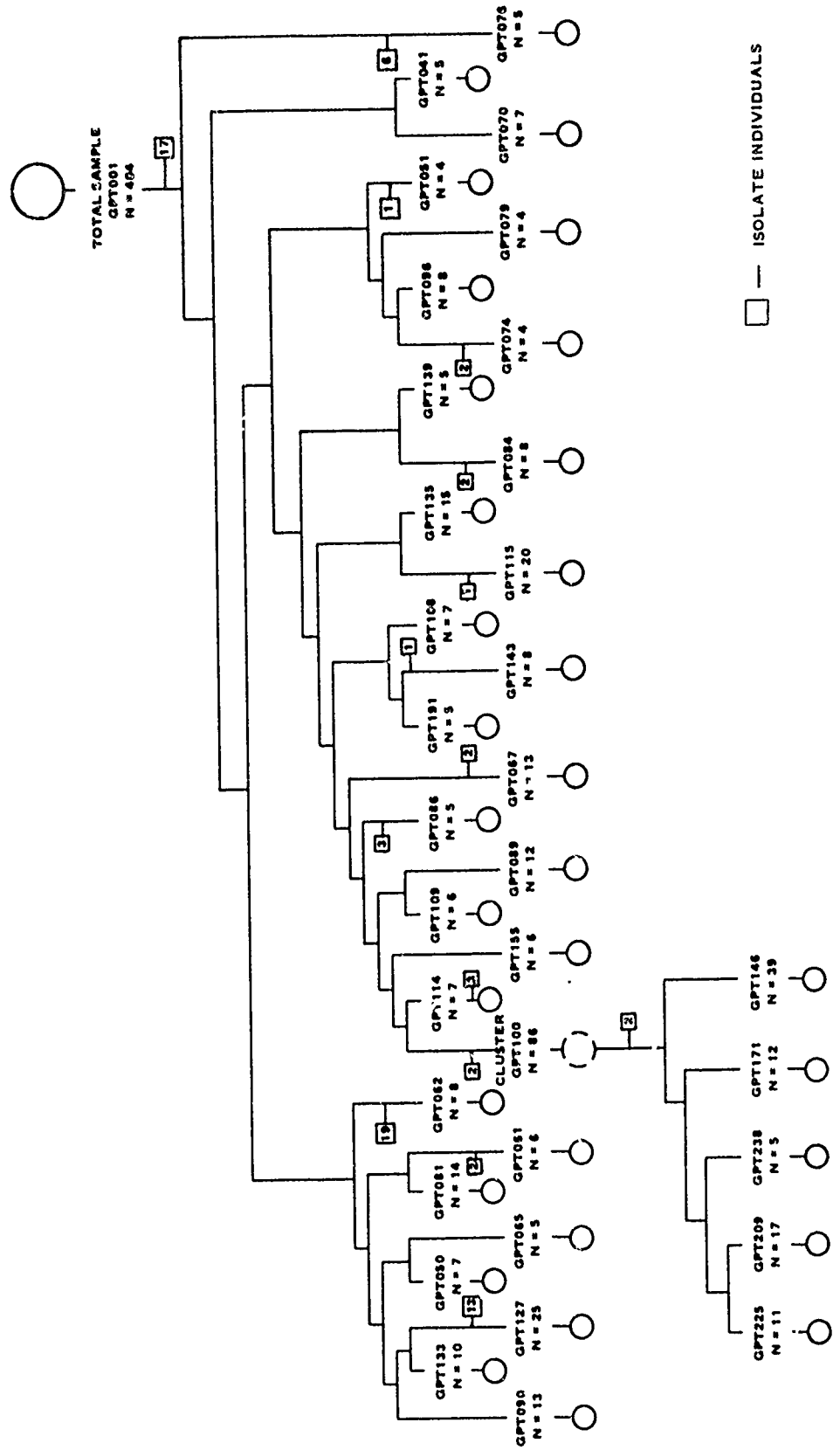


Fig. 2. Special operations officer branch diagram of total sample, clusters, and job types. (N = 404)

Table 3. Summary of Percentage of SO Time Spent on Duties by Officer Job Types

Duty	No. of Tasks	% Expected	% SO Time Spent												
			GPT001 N=4	GPT004 N=7	GPT007 N=7	GPT010 N=7	GPT013 N=3	GPT015 N=5	GPT022 N=8	GPT025 N=8	GPT027 N=7	GPT034 N=4	GPT076 N=6		
<b>Civic Action Duties (CA)</b>	404	48.49	34.64	21.43	27.38	66.12	8.91	18.99	55.24	13.00	30.79	20.70	99.99		
A. Planning and Organizing CA	52	6.24	7.92		12.16	60.76		5.26	34.59	3.66	1.92	7.72	8.70		
B. Directing and Supervising CA	43	5.16	3.38		3.76	5.36		0.76		0.34	2.15	2.03	19.65		
C. Coordinating CA	36	4.32	5.42		2.73			1.33	5.86	1.93	1.49	3.66	46.98		
D. Evaluating CA	21	2.52	2.33		1.55			6.82	10.18	0.06	0.95	0.57			
E. Instructing in CA	63	7.56	2.34	21.43						0.75	20.88		4.00		
F. Providing Guidance in Performing CA	65	7.80	1.56		0.87					0.32	0.86		10.33		
G. Performing CA	124	14.89	11.69		6.31			3.13	4.81	5.94	2.54	6.72	10.33		
<b>Psychological Operations Duties (PSYOP)</b>	177	21.24	12.99		6.62	14.58	71.77	49.07	30.66	0.65	31.69	31.37			
H. Planning and Organizing PSYOP	33	3.96	3.48		3.72	6.25	13.62	4.17	24.70		3.25	22.74			
I. Directing and Supervising PSYOP	22	2.64	0.96		2.20		4.87		2.11		1.92	1.00			
J. Coordinating PSYOP	13	1.56	1.48		0.23		10.39		0.77		0.15	1.43	3.85		
K. Evaluating PSYOP	28	3.36	2.79		0.47		38.70	44.90	1.54		1.32	3.78			
L. Instructing in PSYOP	17	2.04	1.34						1.54		23.13				
M. Performing PSYOP	49	5.88	2.51			8.33	3.43			0.50	0.64				
N. Using Communications Media for PSYOP	15	1.80	0.43				0.76								
<b>Counterinsurgency Duties (COIN)</b>	201	24.12	41.33	78.57	65.96	13.05	15.46	25.70	14.11	80.71	37.51	34.00			
O. Planning and Organizing COIN	18	2.16	5.46		20.30	10.87	1.39	4.30	6.05	1.96	4.52	21.68			
P. Directing and Supervising COIN	21	2.52	1.85		6.86	1.09	1.26	2.27	0.77	1.62	9.39	1.42			
Q. Coordinating COIN	31	3.72	4.06		5.00		3.47	15.48	0.77	3.27	2.66	8.91			
R. Evaluating COIN	15	1.80	2.64		30.42		8.08	1.70	6.52	0.78	3.02	0.85			
S. Instructing in COIN	40	4.80	7.81	78.57	1.34	1.09	1.26	0.78		7.67	17.92				
T. Performing COIN	76	9.12	19.51		2.04			1.17		65.41		1.14			
<b>Unconventional Warfare Duties (UW)</b>	51	6.12	11.03			6.25	3.86	6.25		5.60		13.92			
U. Planning and Organizing UW	14	1.68	5.84			6.25	3.86	6.25		1.89		11.15			
V. Performing UW	37	4.44	5.19							3.71		2.77			
<b>Total</b>	833	99.97	99.99	100.00	99.96	100.00	100.00	100.01	100.01	99.96	99.99	99.99	99.99		

Table 3 (Continued)

Duty	% SO Time Spent											
	GPT079 N=4	GPT081 N=14	GPT084 N=8	GPT086 N=3	GPT089 N=12	GPT090 N=13	GPT098 N=8	GPT100 N=86	GPT108 N=7	GPT109 N=6	GPT114 N=7	GPT118 N=20
<b>Civic Action Duties (CA)</b>	5.68	15.13	82.82		28.08	47.75	15.96	17.30	4.10	13.49	47.03	17.65
A. Planning and Organizing CA		3.61	3.91		5.79	10.69	10.85	2.85	1.48	1.48	6.74	7.56
B. Directing and Supervising CA		1.91			1.66	6.00		0.34		0.12	0.79	0.78
C. Coordinating CA	1.14	2.31	6.82		5.20	8.54	3.55	1.74		3.05	3.49	4.17
D. Evaluating CA	3.03	1.54	1.56		0.71	11.50		0.11		0.95		0.97
E. Instructing in CA		1.01	0.78		3.23	0.87		0.70		1.74	0.23	0.30
F. Providing Guidance in Performing CA		1.37			1.99	0.18	1.56	0.55	0.49	0.64	2.11	0.67
G. Performing CA	1.51	3.38	69.75		9.50	9.97		11.01	2.13	5.51	33.67	3.25
<b>Psychological Operations Duties (PSYOP)</b>	6.81	81.01	4.55		3.38	29.17	3.57	4.44		0.76	5.91	5.92
H. Planning and Organizing PSYOP	3.03	20.05	1.14		0.81	10.34	3.57	0.64			1.88	2.26
I. Directing and Supervising PSYOP		10.09			0.22	2.12		0.13		0.30		0.47
J. Coordinating PSYOP	1.51	10.08	1.14		0.39	10.53		0.09			0.73	0.77
K. Evaluating PSYOP		11.26			0.08	5.06		0.08			0.34	1.72
L. Instructing in PSYOP	2.27	2.23	2.27		0.34	0.89		0.42		0.46	0.34	0.12
M. Performing PSYOP		19.33			1.38	0.23		3.08			2.39	0.37
N. Using Communications Media for PSYOP		7.97			0.16						0.23	0.21
<b>Counterinsurgency Duties (COIN)</b>	79.92	3.77	8.01	98.46	55.06	22.63	75.32	62.86	85.82	77.87	42.88	45.11
O. Planning and Organizing COIN	34.86	0.68			4.48	8.47	59.59	1.10	11.17	5.42	2.47	21.96
P. Directing and Supervising COIN	4.55	0.19	2.27		3.73	1.35		0.69	4.47	7.23	1.29	3.32
Q. Coordinating COIN		0.99			10.77	5.03	1.56	3.97	1.91	10.21	5.86	10.09
R. Evaluating COIN	35.21	0.69			2.41	7.02		0.22	1.34	8.68		3.61
S. Instructing in COIN		0.05	1.14	10.13	7.40	0.54		7.54	62.14	13.10	3.03	1.75
T. Performing COIN	5.30	1.17	4.60	88.33	26.27	0.22	14.17	49.34	4.79	33.23	30.23	4.38
<b>Unconventional Warfare Duties (UW)</b>	7.57	0.12	4.62	1.54	13.43	0.45	5.15	15.39	10.06	7.86	4.15	31.30
U. Planning and Organizing UW	2.27	0.03			6.32	0.14	5.15	5.06	5.22	2.01	0.74	26.12
V. Performing UW	5.30	0.09	4.62	1.54	7.11	0.31		10.33	4.84	5.85	3.41	3.18
<b>Total</b>	99.98	100.03	100.00	100.00	99.95	106.00	100.00	99.99	99.98	99.98	99.97	99.98

Table 3 (Continued)

Duty	% SO Time Spent												
	GPT127 N=23	GPT133 N=10	GPT138 N=15	GPT139 N=5	GPT143 N=8	GPT146 N=39	GPT158 N=8	GPT171 N=12	GPT191 N=17	GPT209 N=17	GPT226 N=11	GPT236 N=8	
Civic Action Duties (CA)	94.52	43.85	3.37	91.43	23.31	11.95	13.88	20.88	7.30	31.90	8.89	9.44	
A. Planning and Organizing CA	22.70	11.58	2.23	10.71	3.82	2.84	2.17	3.29		3.45	1.12	3.99	
B. Directing and Supervising CA	14.85	6.69				0.31		0.20		0.50	0.13	0.20	
C. Coordinating CA	15.78	8.24	0.45	7.86	0.33	1.30		3.63		1.49	1.14	2.75	
D. Evaluating CA	8.99	4.15			0.26	0.07		0.22		0.04	0.31		
E. Instructing in CA	6.31	1.53			4.51	0.34		2.42		0.60	0.66		
F. Providing Guidance in Performing CA	4.93	1.42	0.29			0.31		0.64		1.63			
G. Performing CA	20.96	10.24	0.40	72.86	14.39	6.78	11.71	10.48	7.30	24.19	5.53	2.50	
Psychological Operations Duties (PSYOP)	2.06	23.10	8.17	2.86	7.05	2.29	1.51	6.34	2.16	3.51	12.34	1.09	
H. Planning and Organizing PSYOP	0.45	6.43	4.30		1.30	0.46		1.29		0.60	0.72	0.66	
I. Directing and Supervising PSYOP	0.34	2.59				0.12		0.23			0.34		
J. Coordinating PSYOP	0.29	3.76			0.78			0.14		0.31	0.05		
K. Evaluating PSYOP	0.17	4.72	0.58			0.06		0.67		0.06	0.19		
L. Instructing in PSYOP	0.10	2.04	1.11		4.97	0.32		1.34	1.11	0.22	0.40		
M. Performing PSYOP	0.63	1.27	1.62	2.86		1.33	1.51	3.27	1.05	2.32	10.64	6.43	
N. Using Communications Equipment for PSYOP	0.08	0.29	0.24										
Counterinsurgency Duties (COIN)	3.21	28.30	11.50	5.72	66.72	68.65	68.48	57.54	73.17	53.24	62.16	71.47	
O. Planning and Organizing COIN	0.81	6.66	3.24	2.86		0.19		3.37		0.42	0.78	4.43	
P. Directing and Supervising COIN	0.12	2.59	0.37		5.58	0.41	1.33	2.16		0.25	0.48	1.55	
Q. Coordinating COIN	0.73	7.48	2.25	2.86	2.94	3.05	1.33	8.81		1.59	4.62	6.21	
R. Evaluating COIN	0.23	6.07	0.33			0.04	2.00	1.48	2.86				
S. Instructing in COIN	0.21	1.13	0.74		47.94	5.62	3.17	12.37		7.16	5.22	17.08	
T. Performing COIN	1.11	4.37	4.57		10.26	59.34	60.65	29.35	18.19	43.82	51.06	42.20	
Unconventional Warfare Duties (UW)	0.14	4.69	76.94		2.92	17.10	16.11	15.19	17.36	11.32	16.58	17.97	
U. Planning and Organizing UW	0.03	2.76	53.12		2.92	6.47	6.38			2.16	2.19	8.72	
V. Performing UW	0.11	1.93	23.82			10.63	16.11	8.81	17.36	9.16	14.39	9.25	
Total	99.93	99.94	99.98	100.01	100.00	99.99	99.98	99.95	99.99	99.97	99.97	99.57	

Table 4 presents data showing the percentage of SO time spent by officers in terms of kind of tasks performed. In the inventory 106 tasks were identified as instructing and training tasks, 115 tasks were preceded by the words "provide guidance," and 70 tasks were associated with flying. It will be noted that members of job type GPT041 spend 100 percent of their SO time on instructing and training tasks. GPT070, GPT108, GPT143, and GPT191 spend more than half of their SO time on these tasks. On the other hand, only two job

types, GPT076 and GPT127, spend an appreciable amount of SO time on providing guidance, the respective percentages being 25.77 percent and 14.24 percent. Eight job types perform none of the 70 flying tasks listed in the inventory. Seven job types spend more than 40 percent of their SO time on these activities. When the total officer sample is considered, 19.74 percent of group SO time is spent on flying tasks, 11.41 percent on instructing and training tasks, but only 5.06 percent on providing guidance tasks.

Table 4. Percentage of SO Time Spent by Officers in Terms of Kind of Tasks Performed

Job Type	106 Instructing and Training Tasks		115 Providing Guidance Tasks		70 Flying Tasks	
	No. of Tasks Performed	% Time Spent	No. of Tasks Performed	% Time Spent	No. of Tasks Performed	% Time Spent
GPT001	106	11.41	115	5.06	70	19.74
GPT041	5	100.00	0	0.00	0	0.00
GPT050	3	1.34	9	8.73	0	0.00
GPT051	1	1.09	1	3.57	1	8.33
GPT061	1	1.26	1	0.29	0	0.00
GPT062	1	0.78	3	3.84	0	0.00
GPT065	1	1.54	2	3.93	0	0.00
GPT067	18	8.43	6	1.29	38	42.30
GPT070	35	61.93	4	3.62	1	0.21
GPT074	1	1.14	3	2.10	1	0.68
GPT076	1	4.00	4	25.77	0	0.00
GPT079	1	2.27	0	0.00	0	0.00
GPT081	32	2.90	53	7.67	17	1.14
GPT084	4	4.19	2	7.52	12	36.73
GPT086	1	10.13	0	0.00	4	56.68
GPT089	65	11.24	38	5.63	59	18.49
GPT090	7	2.31	13	6.71	0	0.00
GPT096	0	0.00	1	1.56	1	2.50
GPT108	14	62.14	4	2.76	6	4.95
GPT109	28	15.92	11	4.07	34	15.91
GPT114	5	3.60	10	5.22	35	42.14
GPT115	22	2.23	17	2.52	21	2.66
GPT127	58	4.60	89	14.24	13	1.08
GPT133	35	4.18	55	8.29	20	2.05
GPT135	5	3.63	1	0.29	22	14.70
GPT139	0	0.00	0	0.00	2	35.00
GPT143	24	57.25	3	2.12	16	17.93
GPT146	15	6.28	6	0.78	37	55.17
GPT155	2	3.17	0	0.00	15	72.98
GPT171	44	16.36	22	2.74	58	31.30
GPT191	5	53.24	0	0.00	8	14.79
GPT209	18	8.22	17	4.31	44	51.29
GPT225	20	6.88	3	0.31	41	56.27
GPT238	14	17.08	1	0.43	20	39.07



Table 5 shows the number of SO officers who reported spending full time or part time in 30 work activities listed in the job inventory. More than one-fourth of the 404 officers in the survey sample spend full time as aircraft crewmembers. Part time work activities reported by 20 percent or more officers include aircraft crewmember, civic action operations, counterinsurgency, education and training, operations staff, plans and programming, and unconventional warfare.

In Table 6 are shown the number of SO officers who reported the extent of need on their jobs for training courses which were listed in the inventory.

Mean ratings and the number of officers who reported having had each course are also given. Mean ratings are listed in descending order of magnitude under each training category. Ratings of 1, "no need," were omitted from the computations.

Mean ratings by officers of the extent of need on the job of 96 proposed SO educational topics are presented in Table 7. The number of officers reporting need for each topic is also given. The topics are listed in descending order of magnitude of mean rating. Again ratings of 1, "no need," were excluded from the computations.

**Table 5. Number of SO Officers Reporting Full Time and Part Time Work Activities**  
(N = 404)

Work Activity	Full Time	Part Time
AID	8	28
Aircraft Crewmember	129	120
Civic Action Operations	18	84
Command and Control	26	49
Communications	4	29
Counterinsurgency (COIN)	19	124
Diplomatic	3	37
Education and Training	18	101
Engineering	4	14
Information Services	6	21
Intelligence	15	41
Joint Staff	27	33
MAAG	11	16
Maintenance	4	17
Manpower and Organization	1	37
Medical Services	5	9
Military Advisor	12	33
Military Assistance Team (MAAG, Etc.)	4	28
Mobile Training Team	2	66
Operations Research	1	26
Operations Staff	45	89
Personnel	1	24
Plans and Programming	43	87
PSYOP Development	14	51
PSYOP Implementation	8	51
Public Health	3	11
Requirements & Testing	9	32
Systems Analysis	0	20
Unconventional Warfare (UW)	25	99
Veterinary Services	1	5
Other	31	49

**Table 6. Mean Rating by SO Officers of Extent of Need on Job of Training Courses**  
 (Rating Scale: 2 = Very little, 3 = Little, 4 = Moderate, 5 = Great, 6 = Very great, 7 = Essential)  
 (N = 404)

Training Course	No. Officers Reporting Need	Mean Rating	No. Officers Who Have Had Course
<b>Formal Training</b>			
English	239	4.87	199
Management	282	4.77	139
International Relations	266	4.50	111
Communications Arts	277	4.47	197
Psychology	248	4.37	150
Public Relations	230	4.36	49
Political Science	242	4.17	134
Sociology	197	4.04	92
Education	199	3.84	94
Journalism	116	3.47	17
Economics	172	3.41	139
Engineering	158	3.41	79
Medicine	102	3.36	15
Dentistry	25	3.24	5
Anthropology	95	3.19	27
Veterinary	57	3.19	4
Advertising	107	3.17	34
Entomology	75	3.07	11
Agriculture	97	3.03	35
<b>Special Training</b>			
Area Orientation	265	5.23	119
Foreign Language (Speaking)	265	4.95	120
Survival	241	4.87	200
Foreign Area Specialist	195	4.58	12
Foreign Language (Writing)	223	4.47	87
Military Advisor	187	4.32	29
Intelligence	240	4.29	44
Academic Instructor	196	4.16	108
Creative Writing	207	4.12	70
Interpersonal Relations	212	4.11	24
Self Defense	189	4.06	122
Technical Instructor	146	3.86	34
Graphic Arts	149	3.32	25
Radio or TV Broadcasting	67	3.25	13
<b>Special Operations Training</b>			
Counterinsurgency (COIN) Course	290	4.90	153
Unconventional Warfare (UW) Course	241	4.71	21
Air Force PSYOP/Civic Action Course	237	4.65	36
Southeast Asia Orientation Course (SEAOC)	207	4.44	74
Army Special Warfare Orientation Course	191	4.16	17
Psychological Operations Aircrew Training Course	174	3.98	24
Army Special Warfare Course	165	3.94	8
Army Psychological Operations Course (16 wk)	130	3.83	4
Army Civic Action Course	147	3.82	5
Army Psychological Operations Course (11 wk)	143	3.75	6
Military Assistance Institute Course	148	3.75	13
Army Civil Affairs Course	128	3.63	3
MATA Psyops Course	146	3.63	10
Other Topics Reported by Raters	33	5.94	15
<b>Professional School Training</b>			
Air Command and Staff Level Course	235	4.61	85
Squadron Officers Level Course	258	4.48	195
Air War College Level Course	196	4.41	25

**Table 7. Mean Rating by Officers of Extent of Need on Job of SO Educational Topics**  
*(Rating Scale: 2 = Very little, 3 = Little, 4 = Moderate, 5 = Great, 6 = Very great, 7 = Essential)*  
*(N = 404)*

Educational Topic	No. Officers Reporting Need	Mean Rating
The role of the U.S. Air Force in special air operations	326	5.36
US policy in UW	269	4.87
Guerrilla warfare	283	4.78
SEA area orientation	236	4.76
The nature of insurgency	286	4.74
Evasion and escape	274	4.73
Principles of subversion	272	4.71
The role of the Department of Defense in special air operations	287	4.69
Organization, forces, and tactics of Viet Cong	227	4.69
Airlift in special air operations	305	4.68
Air support in UW	286	4.67
Area studies in insurgency (SEA, Latin America Africa)	283	4.66
Communism and insurgency	279	4.64
The role of the U.S. Army in special air operations	290	4.63
Special operations forces in UW	270	4.63
The role of the ambassador and the country team	290	4.62
Strategic importance of Latin America	246	4.59
Strategic importance of SEA	242	4.55
The role of the military in international relations	282	4.54
Air Force field experiences in COIN	282	4.50
Theory and practice of communism	284	4.48
Tactical airlift in SEA	250	4.47
Strategic importance of Thailand	225	4.45
Civic action in an insurgency environment	255	4.45
Communist PSYOP techniques	267	4.45
USAF research and development in COIN	261	4.44
Health hazards in SEA	216	4.43
Applied civic actions (SEA, Latin America, Africa)	270	4.42
Civic action doctrine, policies, and objectives	266	4.41
The role of the forward air controller	271	4.41
Historical and political involvement of US in Vietnam	241	4.39
Civic action in national development	252	4.38
Joint unconventional warfare task forces	268	4.37
The role of the U.S. government agencies in civic action	269	4.36
Psychological aspects and effects of air operations	266	4.34
Intelligence operations in UW	241	4.33
Civic action planning, organizing, and coordinating	252	4.32
Rescue and recovery operations in SEA	222	4.32
The role of the U.S. military in foreign national development	259	4.31
Political and military structure of Vietnam	229	4.29
Communications in UW	251	4.29
Intelligence functions in insurgency	231	4.24
Geography economy, natural resources, and history of Vietnam	218	4.22
The role of the U.S. government agencies in PSYOP	262	4.24
Strike aircraft in SEA	249	4.24
Problems of developing societies	248	4.24
Soviet theory and practice in UW	241	4.23

Table 7 (Continued)

Educational Topic	No. Officers Reporting Need	Mean Rating
Problems, issues, and programs in civic action	253	4.22
People, economy, language, and military situation of Thailand	219	4.21
The role of the U.S. Marines in special air operations	251	4.20
Ethnic composition, religion, customs, and culture of Vietnam	208	4.19
Psychological operations in UW	262	4.16
USIA as an instrument of US foreign policy	241	4.15
The role of the U.S. Navy in special air operations	254	4.14
Civic action organizations and structure	242	4.13
Air Force staff planning for UW	263	4.12
Paramilitary forces in Vietnam	219	4.12
Strategic importance of Sub-Saharan Africa	203	4.12
The role of the U.S. Army in civic action	255	4.12
USAID as an instrument of US foreign policy	251	4.10
The role of the U.S. military in disasters	261	4.08
Intelligence functions in PSYOP	222	4.05
People, economy, language, and military situation of Laos	221	4.05
The village social structure	221	4.01
Intelligence functions in civic action	216	4.00
Techniques of counterpropaganda	224	3.96
Army organization for UW	235	3.90
Educational civic action programs	211	3.89
Troop conduct and terrorism as a psychological weapon	222	3.87
Chinese theory and practice in UW	206	3.87
Allied forces in SEA	240	3.86
Urban disorders and PSYOP	212	3.85
Research and development in psychological weaponry	208	3.84
National PSYOP potential	207	3.81
Propaganda analyses	211	3.80
Evaluating civic action programs	193	3.80
Functions of a PSYOP staff officer	211	3.80
Medical and dental civic action programs	169	3.78
People, economy, language, and military situation of Cambodia	215	3.77
PSYOP in community relations	228	3.76
Air-sea rescue	232	3.75
Influencing and sampling public opinion	178	3.74
Army field experiences in COIN	235	3.72
Leaflets and posters	210	3.68
The working press in a combat environment	185	3.66
Writing and evaluating propaganda	168	3.60
Radio, TV, and moving picture propaganda	184	3.55
Youth civic action programs	159	3.55
Navy organization for UW	207	3.52
Slogans and symbols to support propaganda campaigns	181	3.49
Agricultural civic action programs	134	3.45
Writing, editing, and printing the news	156	3.45
Veterinary civic action programs	148	3.40
Engineering civic action programs	161	3.38
Chemical and biological operations	189	3.30
Athletic civic action programs	129	3.13

#### IV. SPECIAL OPERATIONS AIRMAN SURVEY

##### Construction of the Special Operations Airman Job Inventory

The duties and tasks of the Special Operations Officer Job Inventory were used in constructing the airman inventory. Tasks that would most likely be performed by officers were omitted, and tasks which are usually performed by airmen, such as those concerned with maintaining and operating equipment, were added. For field review of this preliminary airman inventory, six copies each were mailed to the commanders of the 56th Special Operations Wing, the 605th Special Operations Squadron (USAFSO), and the 14th Special Operations Wing (PACAF). Commanders were asked to have the inventories reviewed by a representative committee of NCOs.

Review copies of the inventory were also sent to representatives of the Special Operations School, to senior NCOs assigned to the 4408th Combat Crew Training Squadron, Hurlburt Field, Florida, and to the 1st Special Operations Wing, England Air Force Base, Louisiana.

Technical advisors first completed the job inventory Background Information sheet. They were also asked to add SO duties and tasks which are done by airmen but which were not listed, to change or reword any task statement which was not properly worded, and to write any comments or recommendations for improving the inventory. Classified information was not to be included.

After consideration of comments and suggestions from the field, a final operational form of the Special Operations Airman Job Inventory was constructed. In this inventory, an appropriate Background Information section was substituted for the assignment information sheets of the officer inventory. Included in the Background Information were three items pertaining to reenlistment intentions, job interest, and utilization of talents and training; a list of 30 activities in which the incumbent indicated whether he worked full time or part time; a list of 27 job requirements; and a list of 10 SO courses which the incumbent checked as having had and as being required in his job.

The second section was the job inventory proper consisting of a duty-task list in which 622 tasks were listed under 22 duty categories. The airman incumbent was asked to check all tasks he performed and then to rate the relative amount of time spent on each task compared with other tasks. A 7-point scale was used, ranging from a

rating of 1 for "very much below average" to a rating of 7 for "very much above average." The duty categories and number of tasks in each were as follows:

Duty	Tasks
A. Planning and organizing civic action operations	35
B. Directing and supervising civic action operations	26
C. Coordinating civic action operations	21
D. Evaluating civic action operations	15
E. Instructing in civic action operations	65
F. Providing guidance in performing civic action operations	53
G. Performing civic action operations	104
H. Planning and organizing psychological operations	21
I. Directing and supervising psychological operations	12
J. Coordinating psychological operations	10
K. Evaluating psychological operations	27
L. Instructing in psychological operations	11
M. Performing psychological operations	37
N. Maintaining and operating equipment for psychological operations	41
O. Using communications needed for psychological operations	15
P. Planning and organizing counterinsurgency operations	8
Q. Directing and supervising counterinsurgency operations	15
R. Coordinating counterinsurgency operations	7
S. Evaluating counterinsurgency operations	13
T. Instructing in counterinsurgency operations	43
U. Performing counterinsurgency operations	27
V. Performing unconventional warfare activities	16

In the third section of the inventory, three kinds of training courses were listed. 19 formal training courses, 14 special training courses, and 13 SO training courses. Also included in this section was a list of 96 SO educational topics. Using the same 7-point scale he had used in rating the tasks he performed, the airman was directed to rate the extent to which he needed to know each topic in order to perform his work.

On the last page of the inventory the incumbent estimated the percentage of work time he spent on tasks he had marked in the inventory, the percentage of time he spent on SO tasks not in the inventory but which he had written in, and the

percentage of work time he spent on tasks not related to SO activities.

### Airman Survey Sample

The airman sample to be surveyed was obtained from rosters supplied by commands. Inventory booklets were mailed individually to 497 airmen by command as follows:

Command	Number
Tactical Air Command (TAC)	15
Pacific Air Forces (PACAF)	67
United States Air Forces Europe (USAFE)	5
United States Air Forces Southern Command (USAFSO)	410
Total	497

Second booklets were sent to 206 of these airmen who failed to reply. Of a total of 356 inventories returned, 107 were blank, 49 included no task ratings, and 13 cases failed to provide total percentages of time spent on SO activities. Eleven of these 13 supplied the missing information in response to followup letters. Uncompleted inventories were returned because the addressed airmen had been transferred, had retired or separated from active duty, or claimed that they did not now perform and had never performed any of the SO duties and tasks listed in the inventory.

From the 497 airmen on the original roster, 189 inventories were received with responses showing the relative time spent on tasks and the percentage of time allocated to SO activities. Table 8 shows the sample distribution by command, grade, and career field. Nine major commands were represented. The grades ranged from airman first class to chief master sergeant, the mean grade being staff sergeant.

Of the 24 career fields represented, the greatest number of airmen, 38, were in aircraft maintenance, while 31 were assigned as security police and 22 were in transportation.

## V. ANALYSIS OF AIRMAN SURVEY DATA

### Allocation of Work Time to Special Operations Activities

The survey data included estimates by the airmen of the percentage of their total work time devoted to SO activities. Plotting of these percentages resulted in a bimodal, U-shaped distribution, similar to that shown in the officer sample. This

distribution is shown in Figure 3. Like the SO officers, SO airmen tended to spend a great deal of time or else very little time on SO activities. Since the total sample was small no analysis was made of airman subsamples.

### Special Operations Airman Job Types

Application of the automated job clustering program to the airman data identified 15 job types, 8 of which grouped under four clusters. The relationships of these job type groups are shown in the branch diagram in Figure 4. The group job description, GRP001, for the 189 SO airmen in the survey sample is shown in Appendix V. The 83 tasks in the inventory which were not performed by any airman in the sample do not appear in the job description.

As was true of the officer sample, there was more dissimilarity in work performed by members of the SO airman sample than in any other airman group ever surveyed by the Personnel Research Division. The average overlap of time spent on SO tasks by the 189 members was 6.17 percent. The largest average overlap value of any job type was only 53.36 percent. In other words, SO airmen perform extremely diversified tasks.

Of the 189 members in the SO airman sample, 157 (84.12 percent) fall within the 15 job types, and 9 additional members group with the job type clusters. The remaining 21 members (11.12 percent) perform unique jobs and do not fall within any job type.

Table 9 shows the distribution by job type groups of time devoted to the 22 duties in the inventory. The "% expected" column shows percentage of time that would be allocated to each duty if time were distributed equally across all tasks in the inventory. When the 189 airmen in the sample are considered as a group, it is found that three duties account for over 50 percent of the time spent in SO activities. These duties in order of time spent on them are: Duty G, Performing civic action operations (26.86 percent); Duty E, Instructing in civic action operations (14.87 percent); and Duty A, Planning and organizing civic action operations (10.89 percent). The SO airmen as a whole reported spending 67.17 percent of their time on the seven civic action duties, 14.25 percent on the six counterinsurgency duties, 13.07 percent on the eight psychological operations duties, and 5.48 percent on the one unconventional warfare duty.

**Table 8. Special Operations Airman Survey Sample by Command,  
Grade, and Career Field**  
(N = 189)

Distribution Variable	Number
<b>Command</b>	
Air Force Communications Service	1
Air Force Systems Command	1
Air Training Command	2
Headquarters Command	1
Military Airlift Command	3
Pacific Air Forces	41
Tactical Air Command	10
United States Air Forces Europe	4
United States Air Forces Southern Command	126
<b>Airman Grade</b>	
Airman First Class	27
Sergeant	39
Staff Sergeant	63
Technical Sergeant	37
Master Sergeant	18
Senior Master Sergeant	4
Chief Master Sergeant	1
<b>Career Field</b>	
01070 First Sergeant	1
20XXX Intelligence	10
22XXX Photomapping	3
23XXX Audio-Visual	2
24XXX Safety	1
27XXX Aerospace Control Systems Operations	7
29XXX Communications Operations	3
30XXX Communications - Electronics Systems	15
40XXX Intricate Equipment Maintenance	8
42XXX Aircraft Accessory Maintenance	2
43XXX Aircraft Maintenance	38
46XXX Munitions and Weapons Maintenance	10
53XXX Metalworking	5
55XXX Civil Engineering Structural/Pavements	1
58XXX Fabric, Leather, and Rubber	1
60XXX Transportation	22
64XXX Supply	1
70XXX Administrative	9
75XXX Education and Training	2
81XXX Security Police	4
90XXX Medical	31
91XXX Medical	3
92XXX Aircrew Protection	1
98XXX Dental	6
Not Reported	3

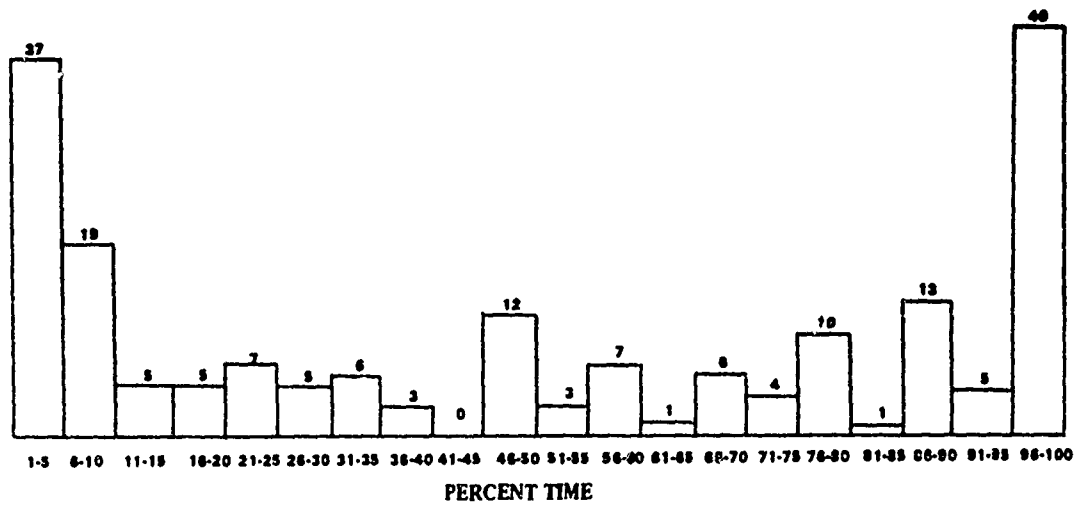


Fig. 3. Number of airmen reporting percentage of time spent in special operations.



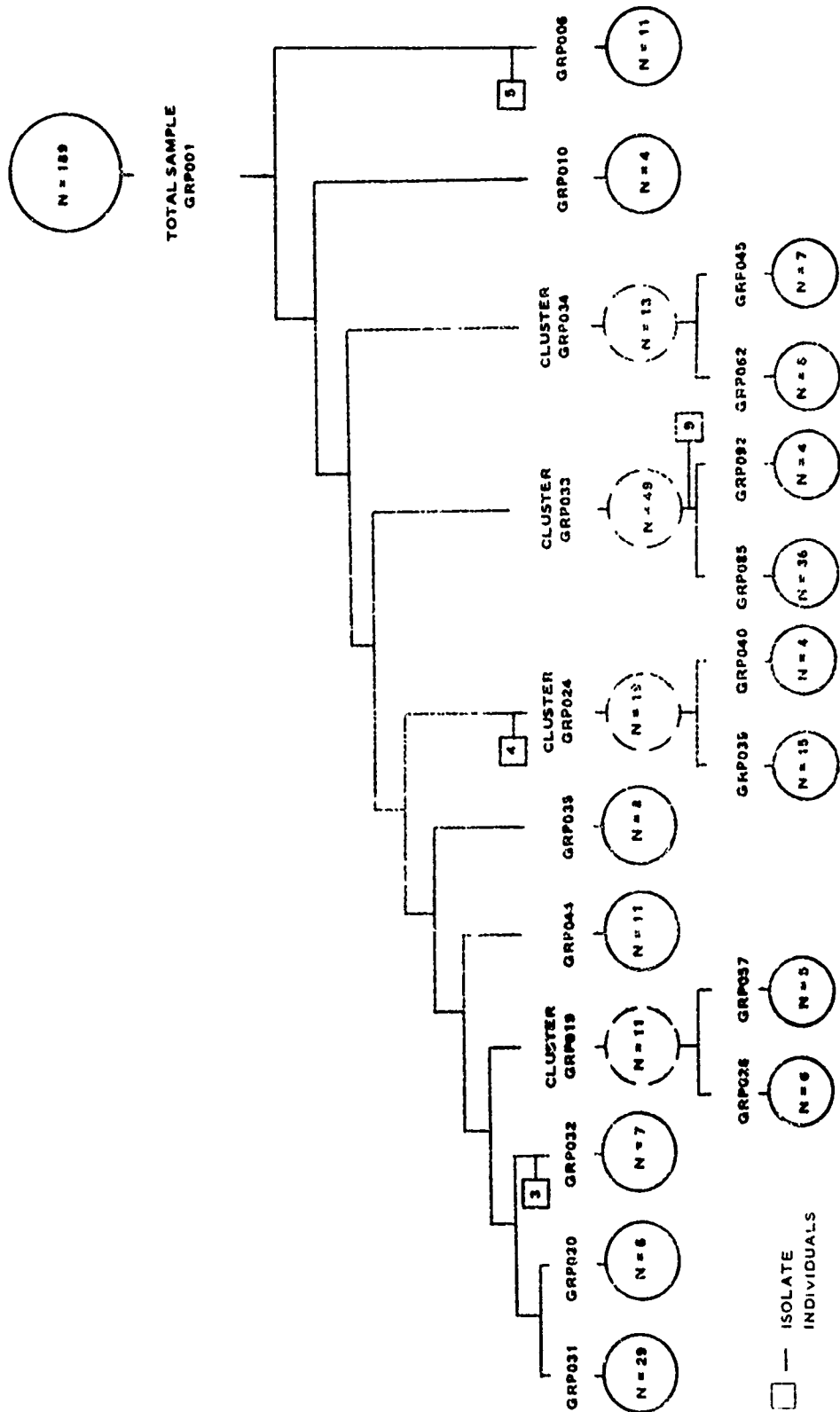


Fig. 4. Special operations airman branch diagram of total sample, clusters, and job types. (N = 189)

Table 9. Summary of Percentage of SO Time Spent on Duties by Airman Job Types

Duty	No. of Tasks	% Expected	% SO Time Spent									
			GRP001 N = 189	PGP005 N = 11	GRP010 N = 4	GRP019 N = 11	GRP024 N = 19	GRP026 N = 6	GRP030 N = 6	GRP031 N = 29	GRP032 N = 7	
<b>Civic Action Duties (CA)</b>	<b>319</b>	<b>51.27</b>	<b>67.17</b>	<b>79.28</b>	<b>81.42</b>	<b>48.24</b>	<b>89.95</b>	<b>64.61</b>	<b>84.55</b>	<b>54.48</b>	<b>32.47</b>	
A. Planning and Organizing CA	35	5.62	10.89		23.57	2.02	10.96	3.70	27.71	10.82		
B. Directing and Supervising CA	26	4.18	3.89		0.83		1.37		1.85	1.38		
C. Coordinating CA	21	3.37	5.63	11.11	36.31		2.40		38.68	3.93		
D. Evaluating CA	15	2.41	2.17				0.88		0.93	0.18		
E. Instructing in CA	65	10.45	14.87	0.96	1.67	13.77	64.39	4.76	2.68	4.99	7.14	
F. Providing Guidance in CA	53	8.52	2.86		7.14		1.72		1.85	0.56		
G. Performing CA	104	16.72	26.86	67.21	11.90	32.45	8.23	56.15	10.85	32.62	25.33	
<b>Psychological Operations Duties (PSYOP)</b>	<b>174</b>	<b>27.93</b>	<b>13.07</b>	<b>17.69</b>		<b>34.85</b>	<b>4.34</b>	<b>17.69</b>	<b>10.57</b>	<b>18.73</b>	<b>52.19</b>	
H. Planning and Organizing PSYOP	21	3.37	0.40			2.27	0.36	4.17	1.60	0.34		
I. Directing and Supervising PSYOP	12	1.92	0.45			3.64			0.32	0.15		
J. Coordinating PSYOP	10	1.60	0.13						2.41			
K. Evaluating PSYOP	27	4.34	0.14									
L. Instructing in PSYOP	11	1.76	0.07									
M. Performing PSYOP	37	5.94	2.20									
N. Maintaining and Operating PSYOP Equipment	41	6.59	9.53	1.44		0.91	0.41		3.53	8.66	4.76	
O. Using Communications Media for PSYOP	15	2.41	0.15	16.25		27.27	3.57	12.13	2.71	9.24	47.43	
<b>Counterinsurgency Duties (COIN)</b>	<b>113</b>	<b>18.15</b>	<b>14.25</b>	<b>1.01</b>	<b>18.57</b>	<b>14.31</b>	<b>4.30</b>	<b>15.13</b>	<b>3.67</b>	<b>21.62</b>	<b>10.57</b>	
P. Planning and Organizing COIN	8	1.28	0.17				0.66			0.18		
Q. Directing and Supervising COIN	15	2.41	0.51				0.21					
R. Coordinating COIN	7	1.12	0.12									
S. Evaluating COIN	13	2.09	0.28									
T. Instructing in COIN	43	6.91	4.54		18.57		0.27			0.23		
U. Performing COIN	27	4.34	8.63	1.01		3.03	3.16	15.13	0.97	5.41	10.57	
<b>Unconventional Warfare Duty (UW)</b>	<b>16</b>	<b>2.57</b>	<b>5.48</b>	<b>2.02</b>		<b>2.61</b>	<b>1.40</b>	<b>2.56</b>	<b>1.21</b>	<b>5.15</b>	<b>4.76</b>	
V. Performing UW Activities	16	2.57	5.48	2.02		2.61	1.40	2.56	1.21	5.15	4.76	
<b>Total</b>	<b>622</b>	<b>99.92</b>	<b>99.97</b>	<b>100.00</b>	<b>99.99</b>	<b>100.01</b>	<b>99.99</b>	<b>99.99</b>	<b>100.00</b>	<b>99.98</b>	<b>99.99</b>	

Table 9 (Continued)

Duty	% SO Time Spent											
	GRP033 N = 49	GRP034 N = 13	GRP035 N = 8	GRP039 N = 15	GRP040 N = 4	GRP044 N = 11	GRP045 N = 7	GRP057 N = 5	GRP062 N = 6	GRP065 N = 36	GRP092 N = 4	
<b>Civic Action Duties (CA)</b>												
A. Planning and Organizing CA	95.93	53.68	16.58	92.94	73.66	12.12	61.61	28.57	44.38	97.84	99.16	
B. Directing and Supervising CA	16.45	6.32	9.61	8.67	19.53		5.99		6.70	16.79	23.42	
C. Coordinating CA	10.77	0.91	2.94	0.51	4.60		1.69			11.29	10.96	
D. Evaluating CA	5.71	0.55		1.22	6.81		1.02			6.15	8.18	
E. Instructing in CA	6.92	0.21		1.11			0.38			7.15	8.16	
F. Providing Guidance in CA	16.34	9.30		74.28	27.27	4.67	9.57	24.57	8.97	18.01	6.64	
G. Performing CA	6.30	4.94		0.85	4.98		7.22		2.27	6.52	2.02	
	33.44	31.45	4.03	6.30	15.47	7.45	35.74	4.00	26.44	31.93	39.78	
<b>Psychological Operations Duties (PSYOP)</b>												
H. Planning and Organizing PSYOP	1.76	35.24	1.09	2.37	11.75	5.45	23.00	55.43	49.52	1.09		
I. Directing and Supervising PSYOP	0.19	0.62			1.70		1.15			0.02		
J. Coordinating PSYOP	0.40	1.15					2.13	3.63		0.32		
K. Evaluating PSYOP	0.11									0.08		
L. Instructing in PSYOP	0.38									0.19		
M. Performing PSYOP	0.05									0.01		
N. Maintaining and Operating PSYOP Equipment	0.40	2.89			1.97		3.33	2.00	2.38	0.30		
O. Using Communications Media for PSYOP	0.18	30.58	1.09	2.37	8.08	5.45	16.39	45.43	47.14	0.14		
	0.05									0.03		
<b>Counterinsurgency Duties (COIN)</b>												
P. Planning and Organizing COIN	1.98	9.79	82.34	2.90	9.56	18.49	12.95	13.34	6.08	1.02	0.83	
Q. Directing and Supervising COIN	0.14			0.83								
R. Coordinating COIN	0.16	0.21	3.64		1.00		0.38			0.01		
S. Evaluating COIN	0.21									0.24		
T. Instructing in COIN	0.18	0.60	1.14			1.82	1.11			0.05		
U. Performing COIN	0.51	1.32	18.85		1.30	16.67	2.44	6.67	6.08	0.01		
	0.78	7.66	58.71	2.07	7.26		9.02	6.67		0.71	0.83	
<b>Unconventional Warfare Duty (UW)</b>												
V. Performing UW Activities	0.31	1.31		1.78		63.94	2.44	2.67				
	0.31	1.31		1.78		63.94	2.44	2.67				
<b>Total</b>	99.98	100.02	100.01	99.99	99.97	100.00	100.00	100.01	99.98	99.95	99.99	

All but five of the 15 job types identified spend more than 50 percent of SO work time on civic action duties. Members of GRP032 and GRP057 spend more than 50 percent of their SO work time on psychological operations. Airmen in GRP035, on the other hand, spend over 80 percent of their SO time on the six counterinsurgency duties, while members of GRP044 spend more than 63 percent of their SO time on Duty V, Performing unconventional warfare activities. Members of GRP062, however, divide their SO work time fairly evenly between civic action duties (44.38 percent) and psychological operations (49.52 percent).

Of the 15 airmen job types identified, five stand out clearly and distinctly in terms of Duty AFSC. The members of GRP031 hold mostly transportation DAFSCs although several are in aircraft maintenance. All but five of the 15 airmen in GRP039, however, hold aircraft maintenance DAFSCs. Thirty-three of the 36 members of GRP085 hold medical and dental DAFSCs. Most of the six members of GRP062 hold DAFSCs in the communications-electronics systems specialties. Seven of the eight intricate equipment maintenance personnel surveyed fall into job type GRP006.

Three job types stand out clearly in terms of work activities. Members of GRP031, who are primarily transportation personnel, reported working as full time aircraft crewmembers, and most are assigned to the 605th Special Operations Squadron. Airmen in GRP039 reported spending full time in maintenance. Members of GRP085, the medical and dental job type, reported working full time in civic action operations. Most of these airmen are assigned to the 606th Air Commando Squadron.

Members of six job types, GRP010, GRP026, GRP030, GRP040, GRP045, and GRP092, hold unique jobs and can only be differentiated in terms of tasks performed and relative time spent on them. Members of GRP092, for instance, spend more than 99 percent of SO work time on the seven civic action duties and spend no time in unconventional warfare or psychological operations. Members of GRP010 spend over 81 percent of SO time in civic action and over 18 percent in counterinsurgency; like GRP092, members of GRP010 spend no time in either psychological operations or unconventional warfare. The members of GRP026, GRP030, and GRP045 reported spending some time in all four major areas, civic action, psychological operations, counterin-

surgency, and unconventional warfare. They devote different proportions of time to these functions, however. The four members of GRP040 devote time to all major SO areas except unconventional warfare.

Table 10 presents data showing the percentage of SO time spent by airmen in terms of kind of tasks performed. In the airman inventory 78 tasks were identified as instructing, training, and teaching tasks, and 98 tasks were concerned with providing guidance. Only 4 of the 15 job types perform 10 or more of the instructing tasks. The same four groups perform 10 or more guidance tasks. When the airman sample is considered as a whole, 11.07 percent of group SO time is spent on instructing, training, and teaching tasks, and 7.40 percent SO time is devoted to providing guidance.

Table 11 shows the number of SO airmen who reported spending full time or part time on 30 work activities listed in the job inventory. More than one-fourth of the 189 airmen in the survey spend full time on maintenance. Thirty-eight are aircraft crewmembers, and 35 work full time in civic action operations. Twenty-eight airmen reported spending part time in education and training, and 37 are members of mobile training teams.

In Table 12 are shown the number of SO airmen who reported the extent of need on their jobs for 46 training courses which were listed in the inventory. Mean ratings and the number of airmen who reported having had each course are also given. Mean ratings are listed in descending order of magnitude under each training category. Above-average mean ratings of extent of course need were accorded to medicine, public relations, foreign language (speaking), area orientation, survival, Air Force psychological operations/civic action, psychological operations aircrew training, and Southeast Asia orientation. Below-average ratings were given to agriculture, economics, journalism, advertising, creative writing, and radio or TV broadcasting.

Mean ratings of the extent of need on the job of 96 proposed SO educational topics are presented in Table 13. The number of airmen reporting need for each topic is also given. The topics are listed in descending order of magnitude of mean rating. Fifteen of the topics received above-average mean ratings while 33 topics showed below-average mean ratings of extent of need on the job.

**Table 10. Percentage of SO Time Spent by Airmen  
in Terms of Kinds of Tasks Performed**

Job Type	78 Instructing, Training, and Teaching Tasks		88 Providing Guidance Tasks	
	No. of Tasks Performed	% Time Spent	No. of Tasks Performed	% Time Spent
GRP001	72	11.07	82	7.40
GRP006	1	0.96	0	0.00
GRP010	5	20.24	2	7.14
GRP026	0	0.00	1	4.76
GRP030	4	3.32	2	1.85
GRP031	20	6.11	14	2.39
GRP032	1	7.14	0	0.00
GRP035	5	18.85	0	0.00
GRP039	2	34.89	4	10.55
GRP040	12	16.27	10	8.43
GRP044	1	1.14	0	0.00
GRP045	13	7.50	17	12.82
GRP057	2	8.67	0	0.00
GRP062	1	5.94	2	3.07
GRP085	24	8.42	59	16.32
GRP092	3	3.23	9	6.35

**Table 11. Number of SO Airmen Reporting  
Full Time and Part Time Work Activities  
(N = 189)**

<b>Work Activity</b>	<b>Full Time</b>	<b>Part Time</b>
AID	3	2
Aircraft Crewmember	38	15
Civic Action Operations	35	12
Command and Control	3	3
Communications	10	13
Counterinsurgency (COIN)	11	8
Diplomatic	3	4
Education and Training	8	28
Engineering	0	7
Information Services	1	7
Intelligence	12	8
Joint Staff	0	4
MAAG	0	1
Maintenance	57	14
Manpower and Organization	0	10
Medical Services	20	13
Military Advisor	0	8
Military Assistance Team (MAAG, Etc.)	0	4
Mobile Training Team	7	37
Operations Research	1	5
Operations Staff	1	2
Personnel	1	3
Plans and Programming	3	7
PSYOP Development	0	5
PSYOP Implementation	1	5
Public Health	10	14
Requirements & Testing	0	7
Systems Analysis	0	1
Unconventional Warfare (UW)	3	8
Veterinary Services	1	10
Other	11	11

**Table 12. Mean Rating by SO Airmen of Extent of Need on Job of Training Courses**  
*(Rating Scale: 1 = Very much below average, 2 = Below average, 3 = Slightly below average, 4 = About average, 5 = Slightly above average, 6 = Above average, 7 = Very much above average)*  
*(N = 189)*

Training Course	No. Airmen Reporting Need	Mean Rating	No. Airmen Who Have Had Course
<b>Formal Training</b>			
Medicine	35	5.49	25
Public Relations	42	5.00	11
International Relations	30	4.87	4
Communications Arts	26	4.85	17
Management	57	4.79	44
Dentistry	28	4.71	8
Psychology	27	4.44	17
Education	24	4.38	10
English	24	4.38	18
Veterinary	28	4.36	7
Sociology	15	4.27	10
Engineering	26	4.19	8
Political Science	20	4.15	9
Entomology	7	4.00	4
Agriculture	23	3.70	9
Economics	18	3.50	9
Journalism	12	3.17	3
Advertising	7	2.86	2
<b>Special Training</b>			
Foreign Language (Speaking)	99	5.15	39
Area Orientation	37	5.05	8
Survival	82	5.05	51
Technical Instructor	28	4.86	11
Academic Instructor	27	4.85	9
Intelligence	33	4.82	13
Foreign Area Specialist	21	4.67	6
Foreign Language (Writing)	73	4.52	32
Self Defense	44	4.36	20
Graphic Arts	12	4.33	2
Interpersonal Relations	19	4.26	4
Military Advisor	13	4.15	1
Creative Writing	17	3.94	6
Radio or TV Broadcasting	6	2.00	1
<b>Special Operations Training</b>			
Air Force PSYOP/Civic Action Course	36	5.28	1
Psychological Operations Aircrew Training Course	11	5.09	5
Southeast Asia Orientation Course (SEAOC)	32	5.00	9
Counterinsurgency (COIN) Course	34	4.76	8
Army Civic Action Course	13	4.69	0
MATA Psyops Course	5	4.60	0
Unconventional Warfare (UW) Course	21	4.52	3
Army Psychological Operations Course (16 wk)	6	4.50	0
Army Special Warfare Orientation Course	10	4.50	1
Military Assistance Institute Course	9	4.44	1
Army Civil Affairs Course	7	4.43	0
Army Special Warfare Course	11	4.36	1
Army Psychological Operations Course (11 wk)	8	4.12	0
Other Topics Reported by Raters	11	3.91	7

**Table 13. Mean Rating by Airmen of Extent of Need on Job of SO Educational Topics**  
*(Rating Scale: 1 = Very much below average, 2 = Below average, 3 = Slightly below average, 4 = About average, 5 = Slightly above average, 6 = Above average, 7 = Very much above average)*  
*(N = 189)*

<b>Educational Topic</b>	<b>No. Airmen Reporting Need</b>	<b>Mean Rating</b>
Medical and dental civic action programs	47	6.00
People, economy, language, and military situation of Thailand	47	5.85
Civic action in an insurgency environment	40	5.65
SEA area orientation	22	5.50
Evasion and escape	44	5.45
Civic action in national development	32	5.41
Health hazards in SEA	46	5.37
Problems, issues, and programs in civic action	41	5.34
Civic action doctrine, policies, and objectives	42	5.31
Geography, economy, natural resources, and history of Vietnam	13	5.31
Civic action planning, organizing, and coordinating	34	5.24
Strategic importance of Thailand	26	5.15
Intelligence functions in insurgency	22	5.14
The village social structure	29	5.00
Chinese theory and practice in UW	9	5.00
Intelligence functions in civic action	33	4.97
Ethnic composition, religion, customs, and culture of Vietnam	22	4.95
Airlift in special air operations	37	4.92
Educational civic action programs	26	4.88
PSYOP in community relations	11	4.82
Intelligence functions in PSYOP	17	4.82
Communist PSYOP techniques	16	4.81
Civic action organizations and structure	35	4.80
People, economy, language, and military situation of Laos	23	4.78
Engineering civic action programs	26	4.77
Air support in UW	33	4.76
Youth civic action programs	27	4.74
Intelligence operations in UW	15	4.73
Communism and insurgency	36	4.72
Strategic importance of Latin America	47	4.72
Air Force field experiences in COIN	26	4.69
Veterinary civic action programs	26	4.69
Applied civic actions (SEA, Latin America, Africa)	59	4.66
Strategic importance of SEA	17	4.59
Area studies in insurgency (SEA, Latin America, Africa)	49	4.59
Rescue and recovery operations in SEA	24	4.58
The role of the ambassador and the country team	24	4.54
Evaluating civic action programs	27	4.52
Troop conduct and terrorism as a psychological weapon	16	4.50
Communications in UW	14	4.50
Organization, forces, and tactics of Viet Cong	12	4.50
The role of the U.S. Air Force in special air operations	67	4.49
Tactical airlift in SEA	14	4.43
Air-sea rescue	45	4.42
Political and military structure of Vietnam	17	4.41
Historical and political involvement of US in Vietnam	20	4.40
The role of the forward air controller	20	4.35



Table 13 (Continued)

Educational Topic	No. Airmen Reporting Need	Mean Rating
Psychological aspects and effects of air operations	13	4.31
The nature of insurgency	37	4.27
Strike aircraft in SEA	13	4.23
Allied forces in SEA	15	4.13
The role of the U.S. military in disasters	24	4.12
Urban disorders and PSYOP	8	4.12
The role of the U.S. government agencies in civic action	44	4.09
US policy in UW	13	4.08
The role of the military in international politics	27	4.04
Agricultural civic action programs	28	4.04
Principles of subversion	35	4.03
USIA as an instrument of US foreign policy	9	4.00
USAID as an instrument of US foreign policy	10	4.00
Problems of developing societies	17	4.00
Paramilitary forces in Vietnam	9	4.00
Joint unconventional warfare task forces	18	4.00
Guerrilla warfare	33	3.94
People, economy, language, and military situation of Cambodia	14	3.93
Special operations forces in UW	14	3.93
Influencing and sampling public opinion	18	3.89
The role of the U.S. Army in civic action	19	3.89
The role of the U.S. Army in special air operations	19	3.89
Army field experiences in COIN	8	3.88
Athletic civic action programs	23	3.87
The role of the Department of Defense in special air operations	27	3.81
Leaflets and posters	14	3.79
Theory and practice of communism	34	3.79
Chemical and biological operations	7	3.71
Techniques of counterpropaganda	13	3.69
The role of the U.S. military in foreign national development	22	3.64
The role of the U.S. government agencies in PSYOP	14	3.57
The role of the U.S. Marines in special air operations	14	3.57
Soviet theory and practice in UW	8	3.50
USAF research and development in COIN	16	3.50
Army organization for UW	7	3.43
Propaganda analyses	10	3.40
The role of the U.S. navy in special air operations	11	3.36
Strategic importance of Sub-Saharan Africa	9	3.33
National PSYOP potential	9	3.33
Psychological operations in UW	10	3.20
Radio, TV, and moving picture propaganda	6	3.17
Air Force staff planning for UW	7	3.14
Writing and evaluating propaganda	8	3.12
The working press in a combat environment	8	2.88
Navy organization for UW	6	2.83
Research and development in psychological weaponry	6	2.83
Slogans and symbols to support propaganda campaigns	6	2.83
Writing, editing, and printing the news	7	2.57
Functions of a PSYOP staff officer	5	2.00

## VI. DISCUSSION

It is difficult to draw firm conclusions from the SO surveys. Ordinarily when an occupational survey is conducted, the population is precisely defined in terms of individuals working in a particular specialty or utilization field. In the present study, the requirement was to describe the SO activities being performed by officers and airmen, regardless of their primary specialty. Identification of these individuals became a major problem, and no one can state with confidence how accurately or completely the obtained sample represents the population which was desired.

Air Force commands identified 793 officers and 497 airmen by name as those who were spending full or part time performing SO activities, yet, when inventories were sent to these individuals, a large number replied, "I am not now performing nor have I ever performed any SO tasks." Usable returns were received from only 404 officers and from 189 airmen, and many of these claimed to be spending 10 percent or less of their time on SO work. Of those remaining, a substantial number of officers were performing normal aircrew activities, and airmen were performing maintenance or support of SO.

On the other hand there are individuals, both officers and airmen, performing SO activities who were not identified by the commands. A cursory

inspection of newspaper clippings, magazine articles, and film reports revealed the names of individuals performing civic action functions who did not appear on the command lists. Thus one must be somewhat cautious in making generalizations from the present study concerning the precise number of individuals in the Air Force actually performing various SO tasks. If the identified cases can be accepted as being reasonably complete, then it must be concluded that SO is a small effort in the Air Force at the present time.

The ratings of the extent of need on the job of certain courses and educational topics should contribute toward the determination of SO curriculum requirements. Officers' mean ratings indicated great need for one course, "area orientation," and something between moderate need and great need for 26 of the 49 courses listed. For 20 of these courses, need was indicated by more than half of the officers reporting. Similarly, the airmen reported a little above-average need for 39 courses although this extent of need was expressed by more than half of the airmen for only one course, "foreign language (speaking)." Somewhat more than moderate need on the job was indicated by more than half of the officers for 64 of the 96 topics listed. Airmen reported above-average need for 58 of the topics, but for only one topic, "the role of the U.S. Air Force in special air operations," was the need expressed by as many as one-fourth of the airmen.

APPENDIX I. COMMANDS AND OPERATING AGENCIES CANVASSED  
FOR PARTICIPATION IN SPECIAL OPERATIONS JOB SURVEY

The commands and agencies listed below were contacted in the initial stages of the study to identify the research population. Organizations which responded that they had no USAF positions requiring full time or part time performance in the Special Operations areas included in the study are identified by an asterisk preceding the listing.

- \*Alaskan Air Command (AAC)
  - Aerospace Defense Command (ADC)
  - Air Force Communications Service (AFCS)
  - Air Force Iceland (AF Iceland)
- \*Air Force Logistics Command (AFLC)
  - Air Force Systems Command (AFSC)
  - Air Training Command (ATC)
  - Air University (AU)
- \*Continental Air Command (CAC)
  - Commander in Chief, Pacific (CINCPAC)
  - Commander in Chief, Pacific Air Forces (CINCPACAF)
  - Commander in Chief, United States Strike Command/United States Commander in Chief, Middle East, Africa South of the Sahara, South Asia (CINCSTRIKF/USCINCMEAFSA)
  - Commander in Chief, United Nations Command (CINCUNC)
  - Commander in Chief, United States Air Forces in Europe (CINCUSAFE)
- \*Commander, US Antilles Defense Command (COMANTDEFCON)
- \*Commander, US Iceland Defense Forces (COMICEDEFOR)
  - Commander, Joint Unconventional Warfare Task Force, Atlantic (COMJUWTF)
  - Office of the General, US Army John F. Kennedy Center for Special Warfare (OGUSAJFKCENSPWAR)
  - Commander, United States Forces Azores (COMUSFORAZ)
- \*Commander, United States Forces in Japan (COMUSJAPAN)
  - Commander, United States Forces in Korea (COMUSKOREA)
  - Commander, United States Military Assistance Command, Vietnam (COMUSMACV)
  - Commander, United States Military Assistance Group, Thailand (COMUSMAGTHAI)
  - Commander, United States Taiwan Defense Command (COMUSTDC)
  - Deputy Chief, Joint United States Military Assistance Group, Thailand (DEPCHJUSMAGTHAI)
  - Headquarters Command United States Air Force (HQ COMD USAF)
  - Joint United States Military Advisory Group, Philippines (JUSMAG PHILIPPINES)
  - Military Airlift Command (MAC)
  - Military Equipment Delivery Team, Air Force Section (MEDT AFSEC)
- \*Strategic Air Command (SAC)
  - Tactical Air Command (TAC)
  - United States Air Force Southern Command (USAFSO)
  - United States Air Force Security Service (USAFSS)
  - United States Commander in Chief, Europe (USCINCEUR)
  - United States Commander in Chief, Southern Command (USCINCSO)

Preceding page blank

## APPENDIX II. EXAMPLE REFERENCES

1. "Fooling the Fruit Fly." *Airman*, Vol. XII, No. 12, December 1968, p. 24. Concerns USAF support in sterilizing and airdropping fruit flies in support of civic action operations. (Two officers were named, one of whom was in the survey sample.)
2. "Bridging the Gap." *Airman*, Vol. XIII, No. 2, February 1969, p. 4. The Inter-American Air Forces Academy (IAAFA) instructs indigenous personnel of Latin America in the maintenance of modern aircraft. (Five airmen were named, none of whom were in the survey sample.)
3. "USAFSO's Job in Latin America." *Airman*, Vol. XIII, No. 2, February 1969, p. 8. The mission of USAFSO includes not only the defense of Latin America, but also support of civic action operations such as rescue flights and Mobile Training Teams (MTT) which provide in-country instruction in civic action techniques to indigenous personnel. (One officer and two airmen were named. One airman was in the survey sample.)
4. "Share Their Wisdom." *Airman*, Vol. XIII, No. 3, March 1969, p. 52. The Inter-American Air Forces Academy (IAAFA) supports such activities as Preventive Medicine Civic Action Training which sends medical teams to small towns and villages to render medical assistance and give instruction in personal hygiene. (Four officers and six airmen were named, none of whom were in the survey sample.)
5. "Orphans Aided." *Air Force Times*, Vol. XXIX, No. 19, December 18, 1968, p. 24. The Garden of Children Orphanage in Pyongtaek, Korea, is sponsored by an Air Force unit at Fuchu AS, Japan. (Three airmen were named, none of whom were in the survey sample.)
6. "Medics Go All Out for Montagnards." *Air Force Times*, Vol. XXIX, No. 22, January 8, 1969, p. 15. AF medics gave medical aid to Montagnard tribesmen who had fled from the Viet Cong. Other units of the 14th Special Operations Wing at Nha Trang have adopted the group to aid them through civic action programs. (One officer was named, but neither he nor any other member of the Wing were included in the survey sample.)

### APPENDIX III. COMMENTS OF SURVEYED OFFICERS

“ . . . A definite curriculum of courses for Special Air Operations needs to be developed. Formal training and experience are invaluable . . . If I can be of any more assistance, please let me know.”

“Colonel \_\_\_\_\_ was the commander of this organization; however, he has retired and is not available to respond to your questionnaire. In the interest of completing this project I have taken the liberty of responding from my position as Vice Commander . . . .”

“ . . . I am therefore returning your survey unanswered. If you think I can make some other contribution to your efforts please contact me.”

“ . . . If I may be of any further assistance, please call on me.”

“ . . . I am returning the survey booklet as being not applicable to my former duties. Should you wish to query me about the duties I did perform, I will be glad to respond.”

“ . . . I fully support and appreciate the value of the project you have undertaken . . . .”

“I have not been assigned to Special Air Operations and I am returning the Job Inventory which was sent to me.”

“ . . . . This is to advise that I have at no time in my Air Force service performed duty in the Special Air Operations officer career field . . . .”

“ . . . . Apparently, my name was erroneously identified as having performed duty in the Special Operations Field . . . .”

“I am returning the booklet you requested be completed. I have never been in Special Air Operations and I believe my name was selected because at one time the Special Air Operations Division was within the Directorate of Fighters . . . . I am not qualified to fill your questionnaire.”

“Please be advised that I have never worked in Special Air Operations.”

“I have reviewed this job inventory for a Special Air Operations Officer and find no action or training applicable to any position that I now hold or have held in the past . . . .”

“I am returning the Special Air Operations Officer Job Inventory, untouched, because it is totally unrelated to my job . . . .”

“The attached questionnaire . . . is returned without completion. I have determined that the contents . . . do not apply . . . in my present assignment . . . .”

“I am returning the enclosed inventory not completed since I have retired from the Air Force and do not feel that my contribution would be current . . . .”

“ . . . . I have closely examined the Special Air Operations Officer inventory and cannot find any applications in my present job . . . .”

“Someone’s computer belched again. I’ve never had training nor duty in Special Air Operations”

“This is a ridiculous exercise—life is too damn short for me to waste what little time I have of it—filling out a poop sheet that is out of touch with reality. There should be some obvious conclusions to the fact that the Air Force has put together a document like this.

“ I. Special Air Operations is too broad a single AFSC.

“ II. Civic Action is the antithesis of UW and the two should NEVER mix.

“III. The USAF conducts civic action as a hobby. It allocates neither training, guidance, funding or manpower sufficient to achieve a worthwhile goal. Even in Vietnam, civic action officers must SELL! their program to higher headquarters (see 7AF Civic Action Newsletter dated 30 Sept 68).

“IV. While the United States manipulates minutiae the communists are probably going to clean our clocks.

“ V. This AFSC needs revision because it is much too broad. We are giving people 0316 (fully qualified) when their only experience is in Civic Action (civic action should be a separate specialty).

“VI. A major weakness, in my opinion, more serious than that above is that the current theory of civic action is unproved. Evaluation of the program is extremely difficult, efforts to create favorable ‘images’ result in highly suspect programs.

“I can not understand a task oriented job, or an educational program designed to import ‘packages’ of knowledge - I resist being computerized until our enemies are computerized.

“Set goals for these programs and then assign people who have a habit of reaching goals. And don’t bug the worker with a million questions.”

(This last letter, reproduced *in totum*, was written by a lieutenant colonel stationed at a numbered Air Force headquarters in the Pacific.)

*APPENDIX IV. SPECIAL OPERATIONS OFFICER GROUP JOB DESCRIPTION*

JOB DESCRIPTION FOR SPECIAL AIR OPERATIONS OFFICER INV (TOTAL)  
 AFHRL,PERS RSCH DIV-AFSC  
 LACKLAND AFB, TEX 78236

PRO,AUG 68

DUTY JOB DESCRIPTION,CASES= 404,TASKS= 33,DUTIES= 22,MBS= 404  
 KPETH ORDER FROM 1 TO 404 GROUP STAGE= 1

CUMULATIVE SUM OF AVERAGE PERCENT TIME SPENT BY ALL MEMBERS.....  
 AVERAGE PERCENT TIME SPENT BY ALL MEMBERS.....  
 AVERAGE PERCENT TIME SPENT BY MEMBERS PERFORMING...  
 PERCENT OF MEMBERS PERFORMING.....

D-TASK	DUTY/TASK TITLE	52.72	37.00	19.51	19.51
T	PERFORMING COUNTERINSURGENCY (COIN) OPERATIONS	61.39	19.05	11.69	19.51
G	PLANNING CIVIC ACTION OPERATIONS	55.20	14.35	7.92	31.20
A	PLANNING AND ORGANIZING CIVIC ACTION OPERATIONS	39.36	19.85	7.81	46.93
S	INSTRUCTING IN COUNTERINSURGENCY (COIN) OPERATIONS	32.92	17.73	5.84	52.77
U	PLANNING AND ORGANIZING UNCONVENTIONAL WARFARE OPERATIONS	39.36	13.87	5.46	58.23
O	PLANNING AND ORGANIZING COUNTERINSURGENCY OPERATIONS	44.80	12.09	5.42	63.64
C	COORDINATING CIVIC ACTION OPERATIONS	41.34	12.55	5.17	68.83
V	PERFORMING UNCONVENTIONAL WARFARE (UW) OPERATIONS	39.85	10.19	4.06	72.99
Q	COORDINATING COUNTERINSURGENCY (COIN) OPERATIONS	35.15	9.89	3.48	76.37
H	PLANNING AND ORGANIZING PSYCHOLOGICAL OPERATIONS (PSYOP)	31.68	10.67	3.38	79.75
B	DIRECTING AND SUPERVISING CIVIC ACTION OPERATIONS	20.30	13.76	2.79	82.54
K	EVALUATING PSYCHOLOGICAL OPERATIONS (PSYOP)	25.99	10.17	2.64	85.19
R	EVALUATING COUNTERINSURGENCY (COIN) OPERATIONS	30.20	8.30	2.51	87.69
M	PERFORMING PSYCHOLOGICAL OPERATIONS (PSYOP)	26.77	8.75	2.34	90.03
E	INSTRUCTING IN CIVIC ACTION OPERATIONS	26.98	8.65	2.33	92.36
D	EVALUATING CIVIC ACTION OPERATIONS	29.21	6.34	1.85	94.22
P	DIRECTING AND SUPERVISING COIN OPERATIONS	22.03	7.06	1.56	95.77
F	PROVIDING GUIDANCE IN PERFORMING CIVIC ACTION OPERATIONS	23.02	6.43	1.48	97.25
J	COORDINATING PSYCHOLOGICAL OPERATIONS (PSYOP)	15.84	8.45	1.34	98.59
L	INSTRUCTING IN PSYCHOLOGICAL OPERATIONS (PSYOP)	16.09	5.97	0.96	99.55
I	DIRECTING AND SUPERVISING PSYCHOLOGICAL OPERATIONS (PSYOP)	9.41	4.55	0.43	99.98
N	USING COMMUNICATIONS MEDIA FOR PSYCHOLOGICAL OPERATIONS				



JOB DESCRIPTION FOR SPECIAL AIR OPERATIONS OFFICER INV (TOTAL)  
 AFHRL,PERS RSCH DIV-AFSC  
 WACKLAND AFB, TEX 78236  
 PRG,AUG 68

TASK JOB DESCRIPTION,CASCS= 404,TASKS= 833,DUTIES= 22,MBS= 404  
 KPATH ORDER FROM 1 TO 404 GROUP STAGE= 1

CUMULATIVE SUM OF AVERAGE PERCENT TIME SPENT BY ALL MEMBERS.....  
 AVERAGE PERCENT TIME SPENT BY ALL MEMBERS.....  
 AVERAGE PERCENT TIME SPENT BY MEMBERS PERFORMING.....  
 PERCENT OF MEMBERS PERFORMING.....

D-TSK	DUTY/TASK TITLE						
T 46	PERFORM LOW-ALTITUDE PARACHUTE DROPS	28.96	6.74	1.95	1.95	1.95	1.95
S 9	INSTRUCT AIRCREW MEMBERS IN COIN ACTIVITIES	19.31	9.60	1.85	3.81	3.81	3.81
T 37	MAKE SHORT-FIELD LANDINGS AND TAKEOFFS	28.22	6.26	1.77	5.57	5.57	5.57
T 16	DIRECT AIRCRAFT BY PILOTAGE	23.02	7.16	1.65	7.22	7.22	7.22
V 23	PARTICIPATE IN JOINT UH TRAINING EXERCISES WITH US ARMY AND US NAVY SPECIAL FORCES	26.98	6.07	1.64	8.86	8.86	8.86
T 69	TRANSPORT MILITARY SUPPLIES	24.26	6.73	1.63	10.49	10.49	10.49
S 33	TEACH FLYING TACTICS TO US MILITARY PERSONNEL	19.80	8.01	1.59	12.08	12.08	12.08
T 47	PERFORM NIGHT DROPS	28.47	5.12	1.46	13.53	13.53	13.53
D 18	PREPARE PLANS FOR CONDUCTING SPECIAL AIR OPERATIONS	22.28	5.89	1.31	14.84	14.84	14.84
T 38	NAVIGATE UNDER CONDITIONS OF RADIO SILENCE	20.30	4.94	1.00	15.85	15.85	15.85
V 10	FLY TRANSPORTS IN SUPPORT OF UH	18.07	5.38	0.97	16.82	16.82	16.82
A 28	PLAN FOR AIRDROP OF FOOD AND CLOTHING	22.77	4.13	0.94	17.76	17.76	17.76
G 46	FLY IN OR FLY OUT EQUIPMENT OR MATERIALS IN SUPPORT OF CIVIC ACTION OPERATIONS	18.56	4.80	0.89	18.65	18.65	18.65
S 40	USE AIRCRAFT AS A TEACHING AID	14.11	6.21	0.88	19.53	19.53	19.53
G 116	TRANSPORT MATERIALS FOR CIVIC ACTION PROJECTS	19.55	4.20	0.82	20.35	20.35	20.35
A 4	FORMULATE CIVIC ACTION PLANS, CONCEPTS, DOCTRINE, TACTICS, OR PROCEDURES	20.54	3.78	0.78	21.12	21.12	21.12
T 44	PERFORM INFILTRATION OR EXFILTRATION	20.05	3.81	0.76	21.89	21.89	21.89
T 29	FLY UNDER AUSTERE CONDITIONS	18.07	4.16	0.75	22.64	22.64	22.64
U 5	PLAN AERIAL SUPPORT OF UH GROUND OPERATIONS	18.07	4.15	0.75	23.39	23.39	23.39
A 17	PLAN AIR TRANSPORT PROJECTS	22.52	3.24	0.73	24.12	24.12	24.12
U 3	PLAN AERIAL INFILTRATION	20.05	3.54	0.71	24.83	24.83	24.83
T 45	PERFORM HIGH ALTITUDE AERIAL DELIVERIES	18.56	3.67	0.68	25.51	25.51	25.51
U 9	PLAN FOR THE LOCATION OF DZS	20.05	3.31	0.66	26.18	26.18	26.18
K 3	FORMULATE PSYOP CONCEPTS AND DOCTRINE, TACTICS, AND PROCEDURES	16.09	3.83	0.62	26.79	26.79	26.79
R 15	EVALUATE USAF COIN PROGRAMS AND TRAINING	14.60	4.18	0.61	27.40	27.40	27.40
X 18	EVALUATE RESEARCH AND DEVELOPMENT IN PSYOP	6.93	8.73	0.61	28.01	28.01	28.01
Q 14	COORDINATE COIN ACTIVITIES WITH US ARMY SPECIAL FORCES	20.54	2.92	0.60	28.61	28.61	28.61
C 4	COORDINATE ACTIVITIES DURING NATURAL DISASTERS SUCH AS FIRES, FLOODS, OR HIGH WINDS	12.62	4.70	0.59	29.20	29.20	29.20
G 119	USE AIRCRAFT IN DISASTER EVACUATION	13.12	4.41	0.58	29.78	29.78	29.78
T 32	LAND AIRCRAFT IN UNPREPARED TERRAIN	16.58	3.35	0.56	30.33	30.33	30.33
O 10	PLAN FOR SUPPORT OF JOINT COIN TASK FORCES	14.60	3.69	0.54	30.87	30.87	30.87
G 76	PARTICIPATE IN RESCUE MISSIONS FOR INDIGENOUS CIVILIANS	10.15	5.31	0.54	31.41	31.41	31.41
A 49	PROVIDE GUIDANCE IN PLANNING CIVIC ACTION PROJECTS	18.07	2.92	0.53	31.94	31.94	31.94
U 13	PLAN USE OF AIR EXTRACTION TECHNIQUES AND TACTICS	14.85	3.54	0.53	32.47	32.47	32.47

9	INDOCTRINATE PEOPLE ON THE NECESSITY OF MAINTAINING CIVIC ACTION PROGRAMS	7.67	6.81	0.52	32.99
G 120	USE AIRCRAFT IN MEDICAL EVACUATION OF INDIGENOUS PERSONNEL	15.10	3.46	0.52	33.51
U 4	PLAN AERIAL SUPPORT OF E AND E OPERATIONS	14.60	3.56	0.52	34.03
U 7	PLAN COVERT PENETRATION OF UNFRIENDLY AIR SPACE	14.85	3.31	0.49	34.52
U 4	PLAN ALLOCATION OF PERSONNEL, RESOURCES, OR AIRCRAFT IN AN AUSTERE ENVIRONMENT	15.10	3.25	0.49	35.01
0 6	PLAN COIN PROJECTS OR PROGRAMS	14.11	3.40	0.49	35.49
0 2	DEVELOP ORGANIZATIONS FOR CONDUCTING AIR FORCE SPECIAL OPERATIONS	13.61	3.46	0.47	35.96
G 3	AIRDROP SUPPLIES TO INDIGENOUS PERSONNEL	16.58	2.79	0.46	36.43
V 17	FLY TACTICAL OR STRATEGIC AIRCRAFT IN SUPPORT OF UH	11.14	4.15	0.46	36.89
K 16	EVALUATE PSYOP DELIVERY SYSTEMS	9.65	4.79	0.46	37.35
S 31	TEACH FLYING TACTICS TO INDIGENOUS MILITARY PERSONNEL	11.88	3.87	0.46	37.81
0 7	PLAN COIN TACTICS	14.60	3.07	0.45	38.26
S 1	CONDUCT FLYING TRAINING FOR INDIGENOUS PERSONNEL IN HOST COUNTRY	10.40	4.26	0.44	38.70
C 5	COORDINATE AIRDROPPING OF SUPPLIES	16.34	2.67	0.44	39.14
P 14	SUPERVISE COIN TRAINING PROGRAMS	12.38	3.52	0.44	39.57
T 27	FLY STRIKE MISSIONS	8.17	5.33	0.44	40.01
G 15	CONDUCT AERIAL PHOTO MAPPING	9.65	4.49	0.43	40.44
U 10	PLAN LOGISTICAL SUPPORT FOR UH	12.62	3.41	0.43	40.87
G 117	TRANSPORT PERSONNEL FOR CIVIC ACTION PROJECTS	16.83	2.54	0.43	41.30
T 49	PICK UP MEN OR MATERIALS BY SKY-HOOK	8.91	4.75	0.42	41.74
S 5	DETERMINE TRAINING PUBLICATIONS REQUIRED	9.16	4.55	0.42	42.14
D 2	ANALYZE CIVIC ACTION CAPABILITIES OF INDIGENOUS MILITARY AGENCIES	9.65	4.24	0.41	42.55
L 14	PROVIDE PSYOP TRAINING FOR AIRCREW MEMBERS	6.93	5.85	0.41	42.95
C 2	BRIEF US COMMANDERS OR GOVERNMENT OFFICIALS ON CIVIC ACTION PLANS	15.59	2.52	0.39	43.35
G 37	DISTRIBUTE INSECTICIDES OR OTHER INSECT CONTROL DEVICES FOR CIVIC ACTION PROJECTS	3.71	10.39	0.39	43.73
A 3	ESTIMATE MATERIEL, EQUIPMENT, OR PERSONNEL REQUIREMENTS FOR CIVIC ACTION PROJECTS	17.33	2.21	0.38	44.12
P 10	PROVIDE GUIDANCE IN SUPERVISING COIN TRAINING PROGRAMS	13.12	2.85	0.37	44.49
C 3	CONDUCT BRIEFINGS AND OTHER ACTIVITIES TO GAIN SUPPORT OF CIVIC ACTION	16.58	2.23	0.37	44.86
T 43	PERFORM AIR RESCUE MISSIONS	13.37	2.76	0.37	45.23
G 100	REVIEW CIVIC ACTION PLANS AND ACTIVITY REPORTS	14.85	2.36	0.35	45.58
H 2	DEFINE PSYOP OBJECTIVES	12.62	2.73	0.34	45.92
M 15	OPERATE AERIAL LOUSPEAKERS	12.13	2.84	0.34	46.27
D 7	EVALUATE CIVIC ACTION PROJECTS	14.36	2.37	0.34	46.61
R 3	ANALYZE THE HOST COUNTRY POLITICAL SITUATION	10.15	3.32	0.34	46.95
J 6	PLAN COVERT INTERDICTION OF ENEMY LINES OF COMMUNICATION AND SUPPLY	8.42	3.95	0.33	47.28
U 2	DETERMINE OPERATIONAL TARGETING AREAS	9.41	3.49	0.33	47.61
D 6	EVALUATE CIVIC ACTION PLANS	13.37	2.42	0.32	47.93
A 6	IDENTIFY NEEDED CIVIC ACTION PROJECTS	16.58	1.93	0.32	48.25
Q 16	COORDINATE COIN ACTIVITIES WITH US MILITARY AGENCIES OTHER THAN US ARMY SPECIAL FORCES	11.59	2.79	0.32	48.57
Q 6	BRIEF US MILITARY AGENCIES IN COIN OPERATIONS, PLANS, CR CONTINGENCIES	12.62	2.47	0.31	48.88
C 9	COORDINATE CIVIC ACTION PLANS AND TRAINING WITH US MILITARY FORCES	14.85	2.10	0.31	49.19

C	26	COORDINATE CIVIC ACTION WITH US MILITARY AGENCIES	16.56	1.67	0.31	49.50
M	29	PERFORM LOW-ALTITUDE DISSEMINATION OF PSYOP MATERIALS	11.14	2.70	0.30	49.80
A	15	PARTICIPATE IN ORGANIZING INDIGENOUS YOUTH PROGRAMS	3.96	7.57	0.30	50.10
R	14	EVALUATE INTER-SERVICE COOPERATION IN PLANNING AND PERFORMING COIN OPERATIONS AND PROGRAMS	11.63	2.57	0.30	50.40
O	16	PLAN STAFF AND UNIT PARTICIPATION IN COIN	11.39	2.61	0.30	50.70
G	99	REVIEW AIR FORCE CIVIC ACTION PROGRAMS	15.59	1.91	0.30	50.99
G	83	PROVIDE AIR SERVICE BETWEEN REMOTE AREAS	8.42	3.52	0.30	51.29
C	9	PLAN FOR COORDINATED APPROACH TO COIN USING CA, PSYOP, AND AFSSO	10.15	2.89	0.29	51.58
B	14	GUIDE THE DETERMINATION OF PRIORITIES OF LOCAL COMMUNITY NEEDS	5.69	5.06	0.29	51.87
U	1	DETERMINE AREAS SUITED FOR UW	9.41	3.05	0.29	52.16
T	10	DESTROY ENEMY TROOPS, SUPPLIES, OR EQUIPMENT	6.93	4.12	0.29	52.44
U	12	PLAN UW OPERATIONS FOR SPEED, SURPRISE, AND APPROPRIATE TACTICS	11.88	2.39	0.28	52.73
Q	5	BRIEF US GOVERNMENT AGENCIES ON COIN OPERATIONS	10.40	2.73	0.28	53.01
G	98	RESPOND TO REQUESTS FOR CIVIC ACTION PROJECTS	14.60	1.94	0.28	53.30
F	5	DIRECT VISUAL OR PHOTO RECONNAISSANCE MISSIONS INTO COIN AREAS	7.18	3.93	0.28	53.58
O	3	DESIGN THE ORGANIZATIONAL STRUCTURE OF COIN TEAMS OR FORCES	10.64	2.64	0.28	53.86
V	11	DROP SUPPLIES TO GUERRILLAS	10.40	2.69	0.28	54.14
A	51	SPECIFY RESOURCES REQUIRED TO SUPPORT CIVIC ACTION PROJECTS	13.61	2.03	0.28	54.41
T	67	SPEAK NATIVE LANGUAGE	9.90	2.76	0.27	54.69
T	26	FLY FLARE MISSIONS IN SUPPORT OF FRIENDLY OUTPOSTS	10.40	2.60	0.27	54.96
R	1	ANALYZE COUNTERINSURGENCY (COIN) INTELLIGENCE DATA	8.66	3.07	0.27	55.22
Q	15	COORDINATE COIN ACTIVITIES WITH US GOVERNMENT AGENCIES	11.88	2.19	0.26	55.48
T	18	DROP LEAFLETS TO ENEMY	9.41	2.73	0.26	55.74
G	44	FLY FRIENDLY GOVERNMENT OFFICIALS TO AND FROM VILLAGES	11.39	2.25	0.26	56.00
M	8	COORDINATE AERIAL RESUPPLY WITH HOST COUNTRY PERSONNEL	13.12	1.94	0.25	56.25
H	11	PLAN AERIAL LOUDSPEAKER BROADCASTS	11.88	2.13	0.25	56.50
D	4	ANALYZE CIVIC ACTION CAPABILITIES OF US MILITARY AGENCIES	12.87	1.95	0.25	56.76
J	11	COORDINATE WITH US ARMY PSYOP	14.11	1.77	0.25	57.01
G	11	TRANSPORT LOCAL OFFICIALS	11.63	2.07	0.24	57.25
T	56	RECONNOITER INTERIOR BY HIGH- OR LOW-ALTITUDE FLIGHTS	7.92	3.02	0.24	57.49
S	2	CONDUCT IN-COUNTRY AIRCRAFT TRANSITION TRAINING FOR FOREIGN STUDENTS	6.44	3.68	0.24	57.72
H	10	PLAN AERIAL DISSEMINATION OF PRINTED MATTER	12.62	1.86	0.23	57.96
G	78	PREPARE PICTORIAL DISPLAYS ON CIVIC ACTION PROGRAMS	5.45	4.29	0.23	58.19
Q	7	COORDINATE AIR DELIVERY OF TROOPS WITH HOST COUNTRY PERSONNEL	12.13	1.72	0.23	58.42
C	36	REPRESENT THE USAF AT CIVIC ACTION CONFERENCES OR NEGOTIATIONS	14.36	1.60	0.23	58.65
S	29	OPERATE FLYING CLASSROOMS	5.69	4.02	0.23	58.88
R	5	EVALUATE COIN OPERATIONS OF INDIGENOUS AIR FORCE	8.91	2.55	0.23	59.11
H	20	PLAN PSYOP ACADEMIC, TECHNICAL, OR OPERATIONAL TRAINING	4.70	4.82	0.23	59.34
H	27	PREPARE PSYOP ANNEXES TO OPERATIONAL PLANS	9.90	2.27	0.23	59.56
D	8	EVALUATE CIVIC ACTION RESEARCH AND DEVELOPMENT	6.68	3.36	0.22	59.79
A	47	PROVIDE GUIDANCE IN ORGANIZING CIVIC ACTION TEAMS	13.61	1.65	0.22	60.01
T	54	PROVIDE LOGISTICAL SUPPORT TO COIN PERSONNEL	6.44	3.46	0.22	60.23
A	39	PLAN PEST CONTROL PROJECTS	8.17	2.72	0.22	60.46
B	12	DIRECT US CIVIC ACTION PERSONNEL OR PROGRAMS	8.42	2.61	0.22	60.68
V	28	PROVIDE AERIAL RECONNAISSANCE FOR UW OPERATIONS	9.16	2.34	0.21	60.89

C 122	USE AIRCRAFT TO CARRY MAIL								
G 82	PROVIDE AERIAL PHOTOGRAPHY, PHOTOGEOLOGY, PHOTOGRAMMETRY, OR PHOTINTERPRETATION	10.15	2.11	0.21	61.11				
		6.44	3.31	0.21	61.32				
T 35	MAINTAIN RADIO CONTACT WITH GROUND RECONNAISSANCE TEAMS		8.66	2.45	0.21	61.53			
U 61	SET UP LANDING ZONES OR DRGP ZONES	11.63	1.82	0.21	61.74				
U 14	PLAN USE OF PORTABLE COVERT COMMUNICATIONS PROCEDURES AND TECHNIQUES	8.17	2.57	0.21	61.95				
H 24	PLAN PSYOP CAMPAIGNS OR PROGRAMS		8.91	2.35	0.21	62.16			
E 62	USE AIRCRAFT AS FLYING CLASSROOMS	6.44	3.20	0.21	62.37				
I 11	PROVIDE POLICY GUIDANCE FOR USE BY PSYOP UNITS	7.18	2.82	0.20	62.57				
F 31	INTERCEPT SUPPLY TRAILS	5.69	3.54	0.20	62.77				
C 11	COORDINATE CIVIC ACTION WITH ALLIED MILITARY AGENCIES	8.66	2.33	0.20	62.97				
G 54	JUSTIFY CIVIC ACTION REQUIREMENTS	10.40	1.93	0.20	63.17				
G 109	SPRAY OR SPREAD HERBICIDES, INSECTICIDES, OR FERTILIZERS FROM AIRCRAFT	7.43	2.69	0.20	63.37				
B 16	MONITOR CIVIC ACTION PROJECTS OF INDIGENOUS PERSONNEL		9.41	2.12	0.20	63.57			
A 36	PLAN LOGISTICAL SUPPORT FOR CIVIC ACTION TEAMS	9.41	2.10	0.20	63.77				
F 57	PROVIDE GUIDANCE IN THE PREPARATION OF MAPS AND CHARTS	4.46	4.42	0.20	63.97				
T 3	BROADCAST TO EMEMY OVER LOUDSPEAKERS, RADIO, OR TV	6.19	3.15	0.19	64.16				
G 1	ACT AS A CIVIC ACTION POINT OF CONTACT FOR US MILITARY AND CIVILIAN AGENCIES	10.89	1.78	0.19	64.36				
U 11	PLAN THE DISPERSION OF UM UNITS		7.92	2.44	0.19	64.55			
B 28	PROVIDE GUIDANCE IN ESTABLISHING SUPPORT SERVICES	4.70	4.11	0.19	64.74				
T 17	DIRECT AIRCRAFT, ARTILLERY, OR NAVAL GUNFIRE	7.92	2.41	0.19	64.93				
C 29	COORDINATE MEDICAL AID ACTIVITIES SUCH AS TRANSPORT OF DOCTORS, DENTISTS, NURSES, OR MEDICAL TEAMS	8.17	2.33	0.19	65.12				
C 19	COORDINATE CIVIC ACTION WITH MILITARY ASSISTANCE ADVISORY GROUPS (MAAGS)	12.87	1.48	0.19	65.31				
A 2	ESTABLISH PROCEDURES FOR DISTRIBUTION OF SUPPLIES TO INDIGENOUS PERSONS	13.37	1.42	0.19	65.50				
B 2	DETERMINE PERSONNEL COMPOSITION OF US CIVIC ACTION TEAMS		10.64	1.73	0.18	65.69			
K 17	EVALUATE PSYOP PLANS	8.91	2.06	0.18	65.87				
L 7	EVALUATE PSYOP COURSE CONTENT	6.44	2.85	0.18	66.06				
C 25	COORDINATE CIVIC ACTION WITH US GOVERNMENT AGENCIES SUCH AS CIA OR USA	11.63	1.57	0.18	66.24				
G 107	SHOW MOTION PICTURES, SLIDES, OR OTHER AUDIOVISUAL MATERIALS	7.18	2.54	0.18	66.42				
C 11	PLAN INFILTRATION OR EXFILTRATION OF AGENTS IN INSURGENT AREAS WITH HOST COUNTRY PERSONNEL	9.16	1.98	0.18	66.60				
S 92	PROVIDE MEDICAL CARE FOR INDIGENOUS PERSONNEL	3.96	4.54	0.18	66.78				
B 25	PROVIDE GUIDANCE IN CONSTRUCTING AIRFIELD SUPPORT FACILITIES	5.69	3.15	0.18	66.96				
A 1	DRAFT CIVIC ACTION STANDING OPERATING PROCEDURES (SOPS)		13.37	1.33	0.18	67.14			
D 1	DEVELOP METHODS TO OBTAIN COUNTERINSURGENCY (COIN) INTELLIGENCE FROM PERSONNEL	6.68	2.65	0.18	67.32				
T 48	PERFORM PROJECTS REQUESTED BY THE COUNTRY TEAM	8.91	1.96	0.17	67.49				
J 13	PLAN MILITARY ASSISTANCE TEAM ACTIVITIES WITH HOST COUNTRY PERSONNEL	9.65	1.80	0.17	67.66				
E 27	INSTRUCT US MILITARY PERSONNEL IN CIVIC ACTION INSTRUCTIONAL TECHNIQUES	3.47	5.00	0.17	67.84				
S 81	PROCURE AND DELIVER SUPPLIES AND EQUIPMENT	6.68	2.58	0.17	68.01				
T 76	WRITE NATIVE LANGUAGE	5.94	2.90	0.17	68.18				
J 8	COORDINATE PSYOP WITH LATERAL UNITS OR OTHER PSYOP-RELATED ACTIVITIES	7.92	2.12	0.17	68.35				

	GOALS	5.26	3.21	0.17	64.52
H 12	PLAN EQUIPMENT REQUIREMENTS AND PROCEDURES FOR PSYOP TAMS	12.67	1.29	0.17	62.65
A 52	SURVEY LOCAL NEEDS AND RESOURCES	9.65	1.72	0.17	60.85
G 70	PARTICIPATE IN HAS CIVIC ACTION COUNCILS	6.68	2.48	0.17	69.02
T 4	BROADCAST TO INDIGENOUS POPULATION OVER LOUSPEAKERS, RADIO, OR TV				
J 5	COORDINATE PSYOP TRAINING WITH USAF STAFF ACTIVITIES	7.92	2.09	0.17	69.18
V 37	TRANSPORT GUERRILLAS BY NIGHT FLIGHTS	8.17	2.00	0.16	69.34
G 17	CONSOLIDATE, REVIEW, AND EDIT CIVIC ACTION REPORTS	9.16	1.78	0.16	69.51
A 21	PLAN CIVIC ACTION REPORTING PROCEDURES	9.41	1.72	0.16	69.67
G 115	TRANSPORT MANUFACTURED COMMODITIES	4.70	3.38	0.16	69.83
M 47	TRANSPORT PERSONNEL FOR PSYOP PURPOSES	9.41	1.69	0.16	69.99
T 39	OPERATE AIRBORNE ELECTRONIC SENSING EQUIPMENT	1.73	9.15	0.16	70.15
Q 30	ESTABLISH SUPPORT WITH INDIGENOUS MILITARY ASSOCIATES	9.66	1.82	0.16	70.30
T 28	FLY SYSTEMATIC PROFILES OVER SELECTED ENEMY AREAS	4.21	3.73	0.16	70.46
S 20	INSTRUCT INTELLIGENCE PERSONNEL IN COIN ACTIVITIES	2.97	5.29	0.16	70.62
C 24	COORDINATE CIVIC ACTION WITH US EMBASSY	10.40	1.51	0.16	70.78
L 11	PROVIDE FORMAL UPGRADE TRAINING FOR PSYOP PERSONNEL	2.46	6.33	0.16	70.93
A 30	PLAN HOST COUNTRY AIRCRAFT MAINTENANCE AND SERVICING	4.95	3.14	0.16	71.09
G 79	PREPARE REPORTS OF US OR INDIGENOUS CIVIC ACTION ACTIVITIES	10.40	1.49	0.16	71.24
A 50	PROVIDE GUIDANCE IN PLANNING HOST COUNTRY CIVIC ACTION GOALS	9.41	1.65	0.16	71.40
C 30	COORDINATE MEDICAL EVACUATION OF INDIGENOUS CIVILIANS	7.18	2.16	0.16	71.55
C 10	COORDINATE CIVIC ACTION WITH ALLIED GOVERNMENT AGENCIES	9.41	1.64	0.15	71.71
S 4	DEVELOP COIN TRAINING CURRICULA FOR HOST COUNTRY	6.44	2.39	0.15	71.96
G 80	PROCESS CIVIC ACTION DATA	9.65	1.59	0.15	72.01
A 25	PLAN CONSTRUCTION OF ROADWAYS, WATERWAYS, OR AIRFIELD FACILITIES	8.66	1.76	0.15	72.17
F 21	PROVIDE GUIDANCE IN DISEASE PREVENTION, CONTROL, OR ERADICATION	5.45	2.80	0.15	72.32
T 34	LOCATE INFILTRATING GUERRILLAS	6.19	2.45	0.15	72.47
S 35	TEACH GROUND TACTICS TO INDIGENOUS MILITARY PERSONNEL	3.47	4.36	0.15	72.62
R 12	EVALUATE INDIGENOUS COIN TRAINING PROGRAMS	7.92	1.90	0.15	72.77
C 15	COORDINATE CIVIC ACTION WITH HOST MILITARY AGENCIES	9.41	1.59	0.15	72.92
V 36	TRAIN INDIGENOUS FORCES IN AIR ASPECTS OF JMW	6.93	2.11	0.15	73.07
K 3	ANALYZE ENEMY PROPAGANDA TO OBTAIN PSYOP INTELLIGENCE INFORMATION	3.17	1.79	0.15	73.22
C 31	COORDINATE SUCH CIVIC ACTIONS AS LAND FERTILIZATION, SOWING GRAIN, OR CROP DUSTING BY AIR	6.68	2.18	0.15	73.36
C 1	BRIEF HOST COUNTRY COMMANDERS OR GOVERNMENT OFFICIALS ON CIVIC ACTION PLANS	10.15	1.44	0.15	73.51
J 9	COORDINATE PSYOP WITH NATIONAL AND MILITARY INTELLIGENCE AGENCIES AND STAFFS	6.68	2.17	0.15	73.65
C 14	COORDINATE CIVIC ACTION WITH HOST GOVERNMENT AGENCIES	9.90	1.46	0.14	73.80
Q 20	COORDINATE MAT ACTIVITIES WITH ARMY SPECIAL FORCES	7.67	1.87	0.14	73.94
G 125	USE LEAFLETS OR LOUSPEAKERS TO PROVIDE DAILY OR WEEKLY INFORMATION, OR TO ANNOUNCE SPECIAL EVENTS	9.90	1.43	0.14	74.08
R 11	EVALUATE INDIGENOUS COIN PLANS, POLICIES, OR OBJECTIVES	7.18	1.96	0.14	74.22
C 7	COORDINATE CIVIC ACTION ACTIVITIES GENERATED BY INDIVIDUALS	7.92	1.77	0.14	74.36
H 15	PLAN FOR MOVEMENT OF PSYOP UNITS AND EQUIPMENT	6.68	2.10	0.14	74.50
M 46	TRANSPORT MATERIALS FOR PSYOP PURPOSES	7.67	1.80	0.14	74.64
B 26	PROVIDE GUIDANCE IN CONSTRUCTING ROADWAYS, WATERWAYS, OR AIRFIELD FACILITIES	5.94	2.31	0.14	74.78
F 46	PROVIDE GUIDANCE IN SPRAYING OR SPREADING OF HERBICIDES, INSECTICIDES, OR FERTILIZERS FROM AIRCRAFT	6.68	2.05	0.14	74.92

P	2	DEVELOP COUNTERINSURGENCY (COIN) TRAINING CURRICULA FOR HOST COUNTRY	3.91	1.54	0.14	75.05			
F	29	PROVIDE GUIDANCE IN IMPLEMENTING NATURAL DISASTER WARNING AND EMERGENCY PROCEDURES	2.97	4.60	0.14	75.19			
B	35	SUPERVISE CIVIC ACTION TRAINING	7.43	1.81	0.13	75.32			
M	13	MAINTAIN PSYOP EQUIPMENT	1.98	6.71	0.13	75.46			
Q	12	PLAN INTERNAL DEFENSE AND DEVELOPMENT OPERATIONS	7.43	1.77	0.13	75.59			
Q	9	COORDINATE AIRLIFT OF WOUNDED AND SICK TROOPS WITH HOST COUNTRY PERSONNEL	6.19	2.13	0.13	75.72			
S	37	TEACH GROUND TACTICS TO US MILITARY PERSONNEL	5.20	2.52	0.13	75.85			
F	58	PROVIDE GUIDANCE IN THE SURVEY OF AREA RESOURCES	2.23	5.89	0.13	75.98			
T	24	EVACUATE PERSONNEL FROM ENEMY-HELD TERRITORY	5.69	2.29	0.13	76.11			
S	18	INSTRUCT INDIGENOUS PERSONNEL IN USE OF SPECIAL AIR OPERATIONS WEAPON SYSTEMS	5.69	2.28	0.13	76.24			
G	71	PARTICIPATE IN CIVIC ACTION TEAMS	8.17	1.58	0.13	76.37			
F	29	PREPARE CIVIC ACTION INSTRUCTIONAL MATERIAL	6.44	2.00	0.13	76.50			
Q	4	BRIEF MAAG ON MILITARY ASSISTANCE TEAM ACTIVITIES	6.68	1.92	0.13	76.63			
J	12	COORDINATE WITH US NAVY OR US MARINE CORPS PSYOP	6.68	1.90	0.13	76.76			
T	8	DEPLOY MILITARY ASSISTANCE TEAM (MAT) AND EQUIPMENT	6.68	1.88	0.13	76.88			
T	21	ESCORT ROAD AND RAIL TRAFFIC BY AIR	4.70	2.66	0.12	77.01			
S	17	INSTRUCT IN AUSTRALIA FIELD OPERATIONS	5.94	2.09	0.12	77.13			
T	42	PARTICIPATE AS A MEMBER OF A MAT	5.94	2.08	0.12	77.25			
L	1	CONDUCT PSYOP ORIENTATION TRAINING	4.46	2.75	0.12	77.38			
K	9	EVALUATE EFFECTS OF US PROPAGANDA	6.93	1.76	0.12	77.50			
T	55	RECONNOITER COASTS AND BORDERS	5.94	2.05	0.12	77.62			
S	3	CONDUCT SENIOR OFFICER COIN ORIENTATIONS	6.68	1.81	0.12	77.74			
C	8	COORDINATE CIVIC ACTION PLANS AND TRAINING WITH HOST COUNTRY MILITARY FORCES	9.16	1.32	0.12	77.86			
A	37	PLAN MEDICAL PROJECTS	6.93	1.74	0.12	77.98			
D	15	EVALUATE INDIVIDUAL OR COLLECTIVE IMPACT OF CIVIC ACTION PROGRAMS OR PROJECTS	9.16	1.31	0.12	78.10			
A	20	PLAN CIVIC ACTION DATA COLLECTION OR PROCESSING PROCEDURES	9.16	1.30	0.12	78.22			
V	30	SELECT E AND E AREAS AND ROUTES	4.95	2.39	0.12	78.34			
D	5	EVALUATE CIVIC ACTION FIELD DATA	8.66	1.36	0.12	78.46			
I	22	SUPERVISE PSYOP TRAINING	4.95	2.37	0.12	78.58			
T	13	DETERMINE EQUIPMENT REQUIREMENTS FOR MAT OPERATIONS	5.20	2.24	0.12	78.69			
V	4	COLLECT COMBAT INTELLIGENCE FOR UNCONVENTIONAL WARFARE (UM) PURPOSES	5.45	2.13	0.12	78.81			
Q	25	COORDINATE STRIKE MISSIONS AGAINST INSURGENT BASE AREAS WITH HOST COUNTRY PERSONNEL	6.44	1.78	0.11	78.92			
G	6	APPLY TECHNIQUES OF DISEASE PREVENTION, CONTROL, OR ERADICATION	3.96	2.87	0.11	79.04			
B	30	PROVIDE GUIDANCE IN LOCAL COMMUNITY PROJECTS	7.18	1.58	0.11	79.15			
V	6	DEVELOP AREA STUDIES AND MAINTAIN THEIR CURRENCY	3.47	3.27	0.11	79.26			
I	14	SUPERVISE INDIGENOUS PERSONNEL SUCH AS TRANSLATORS	5.20	2.17	0.11	79.38			
G	35	DISSEMINATE REPORTS OF CIVIC ACTION RESULTS	9.41	1.20	0.11	79.49			
E	2	CONSTRUCT TRAINING AIDS OR INSTRUCTIONAL EQUIPMENT	4.95	2.28	0.11	79.60			
K	10	EVALUATE ENEMY COUNTERS TO PSYOP	7.67	1.47	0.11	79.71			
U	8	PERFORM HIGH-ALTITUDE DISSEMINATION OF PSYOP MATERIALS	6.44	1.74	0.11	79.83			
U	8	PLAN FOR DEALING WITH SEPARATE ETHNIC GROUPS IN UM OPERATIONAL AREAS	5.20	2.15	0.11	79.94			
J	6	COORDINATE PSYOP TRAINING WITH US GOVERNMENT AGENCIES	5.94	1.88	0.11	80.05			
S	38	TEACH SURVIVAL TECHNIQUES	4.46	2.44	0.11	80.16			

						GPT007	PAGE	
Y	25	PREPARE CTS						
Z	23	PROVIDE GUIDANCE IN CIVIC ACTION DATA COLLECTION AND PROCESSING PROCEDURES	7.18	0.11	80.27			
J	7	COORDINATE PSYOP WITH HIGHER PSYOP ECHELONS	7.67	0.11	80.36			
V	22	MAINTAIN COMMUNICATIONS WITH US FORCES	6.68	0.11	80.48			
T	9	DESTROY ENEMY LINES OF COMMUNICATION	3.98	0.11	80.59			
R	13	EVALUATE INDIGENOUS SUPPORT OF COIN AIR ACTIVITIES	4.46	0.11	80.70			
M	2	COLLECT, STORE, PROCESS OR DISSEMINATE PSYOP INTELLIGENCE INFORMATION	6.68	0.11	80.80			
I	20	SUPERVISE PSYOP PERSONNEL	4.70	0.11	80.91			
B	27	PROVIDE GUIDANCE IN DIRECTING A NATIONAL CIVIC ACTION PROGRAM	4.95	0.10	81.01			
A	7	DIRECT LOCAL CIVIC ACTION PROGRAMS	5.94	0.10	81.11			
S	6	INSTRUCT ADMINISTRATIVE PERSONNEL IN COIN ACTIVITIES	6.44	0.10	81.22			
B	1	ARRANGE VISITS OR CONTESTS IN SPORTS	2.97	0.10	81.32			
G	1	BRIEF COUNTRY TEAM ON MILITARY ASSISTANCE TEAM (MAT) ACTIVITIES	7.18	0.10	81.42			
V	8	DROP IN ADVISORS TO GUERRILLAS	6.19	0.10	81.53			
H	13	PLAN FOR COLLECTION, STORAGE, OR PROCESSING OF PSYOP INFORMATION	6.68	0.10	81.63			
T	68	SPRAY DEFOLIANT CHEMICALS	5.94	0.10	81.73			
Q	3	BRIEF INDIGENOUS MILITARY AGENCIES ON COIN	3.47	0.10	81.83			
E	48	PROVIDE TRAINING AIDS OR INSTRUCTIONAL EQUIPMENT	7.18	0.10	81.93			
T	12	DESTROY PROTECTIVE COVER	3.96	0.10	82.04			
K	27	PRE-TEST PROPAGANDA MATERIALS	4.46	0.10	82.14			
P	11	PROVIDE GUIDANCE TO INDIGENOUS FORCES IN CONDUCTING COIN OPERATIONS	2.97	0.10	82.24			
A	32	PLAN HOST COUNTRY AIR TRAFFIC CONTROL	6.44	0.10	82.34			
I	15	SUPERVISE THE COLLECTION, STORAGE, PROCESSING, OR DISSEMINATION OF PSYOP INTELLIGENCE INFORMATION	3.96	0.10	82.44			
A	25	PLAN DENTAL PROJECTS	5.69	0.10	82.54			
B	34	SUPERVISE CIVIC ACTION FIELD OPERATIONS	4.21	0.10	82.64			
R	9	EVALUATE INDIGENOUS COIN AIR-GROUND COMMUNICATIONS NETWORK	6.44	0.10	82.74			
Q	13	COORDINATE COIN ACTIVITIES WITH INDIGENOUS MILITARY FORCES	4.21	0.10	82.84			
Q	2	BRIEF INDIGENOUS GOVERNMENT AGENCIES ON COUNTERINSURGENCY (COIN)	8.66	0.10	82.94			
C	12	COORDINATE CIVIC ACTION WITH CHARITABLE OR RELIEF AGENCIES SUCH AS RED CROSS OR CARE	5.69	0.10	83.04			
K	2	ANALYZE EFFECTS OF FRIENDLY PROPAGANDA	6.19	0.10	83.14			
B	43	SUPERVISE US CIVIC ACTION TEAMS	6.93	0.10	83.23			
C	27	COORDINATE CIVIC ACTION WITH US YOUTH ORGANIZATIONS SUCH AS BOY SCOUTS OR 4H	6.93	0.10	83.33			
F	10	ORGANIZE CIVIC ACTION TEAMS	3.96	0.10	83.43			
T	30	HOLD ENEMY BY CONTINUOUS CIRCLING FLIGHTS	8.42	0.10	83.53			
G	14	COLLECT AND PROCESS CIVIC ACTION DATA	3.47	0.10	83.62			
G	77	PREPARE AREA MAPS OR CHARTS	7.67	0.10	83.72			
H	19	PLAN PROPAGANDA PRODUCTION AND DISSEMINATION	4.95	0.10	83.82			
K	4	EVALUATE COIN DEFOLIATION PROGRAM	4.46	0.10	83.91			
C	29	ESTABLISH RAPPORT WITH INDIGENOUS CIVILIAN POPULATION	4.95	0.10	84.01			
M	44	SUPPORT HOST GOVERNMENT IN ITS CONDUCT OF AN AMNESTY PROGRAM	6.93	0.09	84.10			
A	23	PLAN COMMUNICATIONS PROJECTS	3.47	0.09	84.20			
F	42	SUPERVISE US CIVIC ACTION EXPENDITURES	4.21	0.09	84.29			
			7.18	0.09	84.39			

31	PROVIDE GUIDANCE IN PUBLIC HEALTH PROJECTS	4.95	1.88	0.09	84.42
A	14 PARTICIPATE IN ORGANIZING INDIGENOUS CIVIC ACTIVITIES	6.19	1.50	0.09	84.57
K	40 DRCP NEWSPAPERS, MAGAZINES, OR MESSAGES IN REMOTE AREAS	6.93	1.33	0.09	84.66
K	15 EVALUATE PSYOP COURSE CONTENT MATERIALS	4.70	1.95	0.09	84.76
-	7 DEMONSTRATE TECHNIQUES OF PEST CONTROL	4.95	1.85	0.09	84.85
M	14 PLAN FOR EVALUATION OF PSYOP MATERIALS	6.68	1.36	0.09	84.94
Q	24 COORDINATE PHOTOMAPPING MISSIONS IN INSURGENT AREAS WITH HCST COUNTRY PERSONNEL	4.95	1.84	0.09	85.02
B	33 SUPERVISE CIVIC ACTION DATA COLLECTION AND PROCESSING PROCEDURES	6.68	1.36	0.09	85.12
R	10 EVALUATE INDIGENOUS COIN INTELLIGENCE NETWORK	4.70	1.93	0.09	85.21
C	34 DEVELOP SUPPORT FOR CIVIC ACTION WITH KEY INDIGENOUS PERSONNEL	7.18	1.26	0.09	85.30
A	40 PLAN PUBLIC HEALTH PROGRAMS	6.19	1.45	0.09	85.39
B	10 DIRECT PUBLIC HEALTH PROJECTS	3.47	2.58	0.09	85.48
J	13 REPRESENT THE USAF AT PSYOP CONFERENCES AND NEGOTIATIONS	7.43	1.20	0.09	85.57
C	18 COORDINATE CIVIC ACTION WITH INTERNATIONAL AGENCIES SUCH AS UN, UNESCO, OR WHO	3.47	2.55	0.09	85.66
B	19 MONITOR THE DISTRIBUTION OF FOOD AND SUPPLIES	5.45	1.61	0.09	85.75
P	1 COMMAND AIR OPERATIONS AGAINST GUERRILLA FORCES	3.96	2.21	0.09	85.83
C	51 IMPLEMENT NATURAL DISASTER WARNING AND EMERGENCY PROCEDURES	2.23	3.93	0.09	85.92
Q	27 COORDINATE VISUAL OR PHOTO RECONNAISSANCE MISSIONS INTO COIN AREAS WITH HOST COUNTRY PERSONNEL	5.20	1.68	0.09	86.01
R	7 EVALUATE INDIGENOUS COIN AERODROME FACILITIES	5.94	1.47	0.09	86.10
A	11 ORGANIZE INDIGENOUS CIVIC ACTIVITIES	5.20	1.67	0.09	86.18
K	1 ANALYZE CAPTURED DOCUMENTS FOR PSYOP INTELLIGENCE INFORMATION	5.94	1.44	0.09	86.27
M	45 TAKE AERIAL PHOTOGRAPHS FOR PSYOP	5.69	1.49	0.08	86.35
F	32 PROVIDE GUIDANCE IN MEDICAL CARE OF INDIGENOUS CIVILIAN PERSONNEL	3.96	2.13	0.08	86.44
K	4 ANALYZE STATEMENTS OF PUBLIC FIGURES, OR POLICY STATEMENTS FOR PSYOP INTELLIGENCE INFORMATION	4.95	1.70	0.08	86.52
K	20 EVALUATE THE SITUATION FOR PSYOP IMPLEMENTATION	5.45	1.54	0.08	86.61
T	74 USE NAPALM FOR PSYCHOLOGICAL IMPACT	4.46	1.85	0.08	86.69
G	36 DISTRIBUTE FOOD AND SUPPLIES	4.21	1.94	0.08	86.77
T	1 BOMB TARGET AS WARNING	2.97	2.75	0.08	86.85
S	25 INSTRUCT ON UTILIZATION OF COIN EQUIPMENT	3.71	2.16	0.08	86.93
G	47 FURNISH MATERIALS FOR INDIGENOUS BUILDING CONSTRUCTION	5.94	1.33	0.08	87.01
A	8 ORGANIZE BASE CIVIC ACTION COUNCIL	4.70	1.68	0.08	87.09
A	35 PLAN INSTRUCTIONAL FACILITIES	4.95	1.59	0.08	87.17
V	7 DRCP FOOD AND CLOTHING AS COMPLIMENTS OF THE GUERRILLAS	4.21	1.82	0.08	87.25
A	9 ORGANIZE CIVIC ACTION OFFICE	5.45	1.41	0.08	87.32
T	64 SOM AREAS WITH DELAYED-FUSE BOMBS	3.47	2.21	0.08	87.40
C	3 ANALYZE CIVIC ACTION CAPABILITIES OF US CIVIL AGENCIES	6.44	1.19	0.08	87.48
B	8 DIRECT LOCAL COMMUNITY PROJECTS	3.47	2.20	0.08	87.55
H	33 SELECT THEMES FOR PSYOP	5.94	1.27	0.08	87.63
H	25 PLAN PSYOP TRAINING MATERIALS	3.96	1.90	0.08	87.70
T	65 SOM FLARES TO HARRASS OR WARD OFF ENEMY	3.71	2.02	0.07	87.78
M	36 PROVIDE PSYOP LOGISTICAL SUPPORT	3.71	2.01	0.07	87.85
J	2 DEVELOP PSYOP LIAISON ACTIVITIES	5.45	1.37	0.07	87.93
T	2 BOMB TO CLEAR UNDERBRUSH AND TREES	2.72	2.74	0.07	88.00
R	2 ANALYZE REACTIONS OF INDIGENOUS INDIVIDUALS OR GROUPS	4.21	1.77	0.07	88.07
T	7 CONDUCT CLANDESTINE RECONNAISSANCE	4.95	1.50	0.07	88.15



S	14	INSTRUCT COMMUNICATIONS PERSONNEL IN CIVIL ACTIVITIES	3.22	2.20	0.07	88.22
A	19	PLAN BUILDING CONSTRUCTION PROJECTS	5.94	1.24	0.07	88.30
C	15	PLAN PHYSICAL PROTECTION AGAINST INSURGENT PENETRATION SUCH AS BARBED WIRE OR ELECTRONIC BARRIERS	2.97	2.42	0.07	88.37
J	72	PARTICIPATE IN COMMUNITY CIVIC ACTION COUNCILS	5.20	1.37	0.07	88.44
J	30	PROVIDE GUIDANCE IN PLANNING HOST COUNTRY PSYOP CAMPAIGNS	5.69	1.24	0.07	88.51
J	3	CONDUCT BRIEFINGS TO DISSEMINATE PSYOP INTELLIGENCE	3.71	1.89	0.07	88.54
A	7	IDENTIFY PSYOP TARGET AREAS OR POPULATIONS	4.95	1.42	0.07	88.65
C	16	EVALUATE THE ORGANIZATION OF COMBINED US AND HOST COUNTRY CIVIC ACTION ACTIVITIES	7.67	0.91	0.07	88.72
T	52	PROVIDE EXPERTISE TO INDIGENOUS COUNTERPART	4.95	1.41	0.07	88.79
T	71	USE AIRCRAFT TO REDUCE ENEMY ESCAPE OR EVASION	3.24	2.16	0.07	88.86
T	14	DETERMINE THE PERSONNEL COMPOSITION OF MATS	4.95	1.40	0.07	88.93
T	84	PROVIDE GUIDANCE IN AIRFIELD CONSTRUCTION	5.69	1.20	0.07	89.00
T	16	INSTRUCT INDIGENOUS PERSONNEL IN ENGLISH	4.95	1.38	0.07	89.07
V	31	SELECT TARGETS FOR GUERRILLA COMBAT OPERATIONS	3.22	2.12	0.07	89.13
M	1	ALLOCATE PSYOP TEAMS	2.97	2.29	0.07	89.20
G	113	TRANSPORT AGRICULTURAL COMMODITIES	3.47	1.96	0.07	89.27
M	26	PLAN USAF PSYOP STRATEGIC CAMPAIGNS OR PROGRAMS	4.95	1.37	0.07	89.34
G	69	OPERATE PUBLIC ADDRESS SYSTEM	2.72	2.48	0.07	89.41
J	1	BRIEF INDIGENOUS COMMANDERS AND GOVERNMENT OFFICIALS ON PSYOP ACTIVITIES	5.20	1.29	0.07	89.47
B	24	PROVIDE GUIDANCE IN CONDUCTING LOCAL COMMUNITY SURVEYS	6.19	1.07	0.07	89.54
P	18	SUPERVISE SELECTION OF PERSONNEL FOR COJA TEAMS OR FORCES	5.94	1.11	0.07	89.60
M	31	PREPARE REQUISITIONS FOR PSYOP MEDIA	3.22	2.03	0.07	89.67
J	4	CONDUCT CONFERENCES AND MEETINGS ON PSYOP	5.94	1.09	0.06	89.73
E	47	PROVIDE TECHNICAL TRAINING TO US CIVIC ACTION PERSONNEL	5.20	1.24	0.06	89.80
C	21	COORDINATE CIVIC ACTION WITH PUBLIC WELFARE AGENCIES	3.71	1.73	0.06	89.86
G	76	PERFORM AERIAL INSPECTIONS OF ROADS, PIPELINES, OR UTILITIES	2.72	2.36	0.06	89.93
L	6	EVALUATE FACILITIES FOR PSYOP TRAINING	3.96	1.61	0.06	89.99
M	39	REQUISITION EQUIPMENT FOR PSYOP UNITS	2.97	2.10	0.06	90.05
S	26	INSTRUCT PHOTOGRAPHERS IN CIVIL ACTIVITIES	2.97	2.10	0.06	90.12
F	25	POST-TEST PROPAGANDA MATERIALS	2.97	2.09	0.06	90.18
V	16	FLY OUT GUERRILLA SICK AND WOUNDED	3.71	1.66	0.06	90.24
P	12	PROVIDE GUIDANCE TO INDIGENOUS MILITARY FORCES IN ESTABLISHING COMMAND AND CONTROL SYSTEMS FOR INTERNAL DEFENSE AND DEVELOPMENT	4.21	1.46	0.06	90.30
A	18	PLAN BASIC EDUCATION OR LITERACY PROJECTS	4.95	1.24	0.06	90.36
P	21	SUPERVISE TRANSLATION OF TRAINING AND TECHNICAL DOCUMENTS INTO NATIVE LANGUAGE	2.48	2.47	0.06	90.42
M	12	INTERVIEW US ESCAPEES OR FORMER PRISONERS	2.23	2.74	0.06	90.48
M	69	TRAIN DENTAL PERSONNEL IN CIVIC ACTION OPERATIONS	1.49	4.07	0.06	90.54
L	8	EVALUATE PSYOP INSTRUCTORS	2.97	2.03	0.06	90.61
M	4	DEVELOP PSYOP MESSAGES	3.71	1.62	0.06	90.67
C	35	DEVELOP SUPPORT FOR CIVIC ACTION WITH THE GENERAL POPULACE	6.44	0.93	0.06	90.72
S	22	COORDINATE MAT ACTIVITIES WITH MILITARY AGENCIES OTHER THAN THE ARMY SPECIAL FORCES	4.46	1.34	0.06	90.78
H	18	PLAN LOGISTIC SUPPORT FOR PSYOP CAMPAIGNS OR PROGRAMS	4.95	1.20	0.06	90.84
P	3	DIRECT DEFENSE OF AIRFIELDS	2.97	1.98	0.06	90.90
A	16	PLAN AGRICULTURAL PROJECTS	5.20	1.13	0.06	90.96
E	3	DETERMINE PRIORITIES OF LOCAL COMMUNITY NEEDS	5.45	1.08	0.06	91.02
C	39	DIVERT BASE DISPOSAL, SURPLUS, AND WASTE PRODUCTS TO CIVIC ACTION USAGE	3.71	1.57	0.06	91.08

Code	Description	4.95	1.17	0.06	91.14
O 14	EVALUATE HOST COUNTRY INFRASTRUCTURE FOR POSSIBLE IMPROVEMENT OF CIVIC ACTION OPERATIONS	4.95	1.17	0.06	91.14
V 1	ASSIST GUERRILLAS IN ESCAPE AND EVASION	3.96	1.46	0.06	91.14
V 15	FLY GUERRILLAS OUT OF COUNTRY FOR TRAINING	3.71	1.55	0.06	91.25
F 12	PROVIDE GUIDANCE IN BUILDING AIRSTRIPS	4.70	1.21	0.06	91.31
60	TRAIN LOCAL POPULACE IN NATURAL DISASTER AND EMERGENCY PROCEDURES	1.49	3.84	0.06	91.37
K 28	USE STATISTICAL TECHNIQUE TO EVALUATE PSYOP INFORMATION	2.43	2.30	0.06	91.42
4 3	DESIGN OR LAY OUT GRAPHIC CONTENT OF PROPAGANDA MATERIAL	3.47	1.64	0.06	91.48
U 3	PLAN A COIN INTELLIGENCE ORGANIZATION	4.21	1.35	0.06	91.54
M 32	PREPARE SINGLE AND MULTI-COLORED LAYOUTS	2.72	2.09	0.06	91.59
K 14	EVALUATE PERFORMANCE OF US PSYOP INDIVIDUALS	4.70	1.22	0.06	91.65
F 1	CONDUCT QJT FOR UPGRADING SKILLS OF INDIGENOUS PERSONNEL	4.95	1.74	0.06	91.71
T 6	CONDUCT A COIN SURVEY	3.47	1.62	0.06	91.76
V 9	DROP INFORMATION LEAFLETS TO VILLAGERS BY NIGHT	3.22	1.75	0.06	91.82
D 11	EVALUATE DISTRIBUTION OF SUPPLIES BY US PERSONNEL	6.44	0.87	0.06	91.88
M 30	PREPARE PSYOP REPORTS	3.96	1.40	0.06	91.92
L 17	TRAIN PSYOP SUPPORT PERSONNEL	1.49	3.71	0.06	91.99
F 33	PROVIDE GUIDANCE IN MEDICAL EVACUATION OF INDIGENOUS PERSONNEL	3.47	1.59	0.06	92.04
H 16	PLAN GROUND DISSEMINATION OF PRINTED MATTER	4.95	1.11	0.05	92.10
T 15	DETERMINE THE POLITICAL ATTITUDES OF THE INDIGENOUS POPULATION	4.95	1.10	0.05	92.15
C 121	USE AIRCRAFT IN SURVEILLANCE OR TRAFFIC CONTROL	4.21	1.29	0.05	92.20
G 94	PROVIDE SOURCES OF TECHNICAL INFORMATION TO CIVIC ACTION PERSONNEL	6.19	0.86	0.05	92.26
P 9	PROVIDE GUIDANCE IN DEFENDING AGAINST AIRFIELD ATTACKS	4.95	1.08	0.05	92.31
Q 11	COORDINATE COIN ACTIVITIES WITH COUNTRY TEAM	6.68	0.80	0.05	92.36
Q 18	COORDINATE INFILTRATION OR EXFILTRATION OF AGENTS IN INSURGENT AREAS WITH HOST COUNTRY PERSONNEL	4.21	1.25	0.05	92.42
F 42	PROVIDE GUIDANCE IN REPAIR OF CIVILIAN AIRPORT RUNWAYS, TAXIWAYS, OR ACCESS ROUTES	3.96	1.31	0.05	92.47
F 64	PROVIDE GUIDANCE IN PUBLICATION, PRINTING, OR REPRODUCTION ACTIVITIES	2.97	1.75	0.05	92.52
K 9	CONDUCT PSYOP INTELLIGENCE RESEARCH AND ANALYSES	4.46	1.16	0.05	92.57
E 13	INSTRUCT INDIGENOUS PERSONNEL IN AIR TRAFFIC CONTROL	2.97	1.74	0.05	92.62
G 59	OBTAIN SURPLUS, SALVAGEABLE, OR WASTE MATERIALS FOR CONSTRUCTION PROJECTS	4.46	1.14	0.05	92.68
I 13	SELECT MEDIA FOR PROPAGANDA DISSEMINATION	4.21	1.21	0.05	92.73
L 10	PERFORM RESEARCH FOR DEVELOPING PSYOP INSTRUCTION	2.72	1.87	0.05	92.78
N 10	OUTLINE IDEAS FOR LEAFLET CONTENT	4.70	1.08	0.05	92.83
A 45	PLAN VETERINARY PROJECTS	4.46	1.14	0.05	92.98
E 26	INSTRUCT INDIGENOUS PERSONNEL IN US CIVIC ACTION PURPOSES, GOALS, AND OBJECTIVES	5.45	0.92	0.05	92.93
K 5	COLLECT AND EVALUATE PSYOP FIELD INTELLIGENCE DATA	4.95	1.01	0.05	92.98
M 41	SCREEN MATERIALS FOR POSSIBLE PSYOP USE	4.21	1.18	0.05	93.03
G 17	COORDINATE DEFOLIATION ACTIVITIES WITH HOST COUNTRY PERSONNEL	2.72	1.82	0.05	93.08
K 11	EVALUATE LITERACY OF PSYOP TARGETS	4.70	1.05	0.05	93.13
S 21	INSTRUCT LOADMASTERS IN COIN ACTIVITIES	3.71	1.32	0.05	93.18
O 23	COORDINATE PAT ACTIVITIES WITH US GOVERNMENT AGENCIES	4.46	1.08	0.05	93.22
D 12	EVALUATE DISTRIBUTION OF US SUPPLIES BY INDIGENOUS PERSONNEL	5.20	0.92	0.05	93.27

A	48	PROVIDE GUIDANCE IN ORGANIZING OR PLANNING PROGRAMS FOR CULTURAL TEAMS	4.21	1.14	0.05	93.32
N	13	SELECT THEMES AND SYMBOLS FOR PROPAGANDA	4.46	1.07	0.05	93.37
T	73	USE COMMUNICATIONS CODE TO CONFUSE ENEMY	3.96	1.20	0.05	93.42
T	5	COMPILE MAPS OF INSURGENT BASE CAMPS FROM AERIAL PHOTOS	2.48	1.91	0.05	93.46
D	9	EVALUATE COMMUNITY RESOURCES TO IDENTIFY PROBLEMS OF DEVELOPMENT	4.95	0.93	0.05	93.51
H	23	PLAN PSYOP LIAISON PROCEDURES	3.96	1.17	0.05	93.55
E	32	PROVIDE GUIDANCE IN EQUITABLE USE OF CIVIC ACTION MONEY AND MATERIALS	5.69	0.81	0.05	93.60
L	15	TRAIN INDIGENOUS PERSONNEL IN PSYOP	3.22	1.42	0.05	93.65
L	3	DEVELOP CURRICULA FOR PSYOP COURSES	2.97	1.53	0.05	93.69
A	12	ORGANIZE INDIGENOUS YOUTH PROGRAMS	2.97	1.52	0.05	93.74
T	11	DESTROY INSURGENTS' CROPS	3.96	1.14	0.05	93.73
A	13	ORGANIZE JOINT SERVICE AND CIVILIAN COMMUNITY CIVIC ACTION COORDINATING COMMITTEE	4.70	0.96	0.05	93.83
E	34	PROVIDE GUIDANCE IN OUT FOR UPGRADING SKILLS OF INDIGENOUS PERSONNEL	3.47	1.29	0.04	93.87
G	124	USE USAF VEHICLES TO EVACUATE REFUGEES	4.21	1.04	0.04	93.92
D	21	PERFORM AERIAL INSPECTIONS OF ROADS, PIPELINES, OR UTILITIES	5.20	0.84	0.04	93.96
K	19	EVALUATE THE EFFECTS OF ALLIED NATIONS' PROPAGANDA	3.96	1.09	0.04	94.00
C	28	ESTABLISH LIAISON WITH COUNTRY TEAM	3.96	1.09	0.04	94.05
K	26	PREPARE STRATEGIC LISTS OF PSYOP ASSETS AND RESOURCES	3.47	1.24	0.04	94.09
A	5	GENERATE IMPROVED AGRICULTURAL OR INDUSTRIAL PRODUCTION METHODS	4.46	0.95	0.04	94.13
G	38	DISTRIBUTE MEDICAL SUPPLIES	4.46	0.95	0.04	94.17
V	3	BROADCAST BATTLE SOUNDS OVER ENEMY AREAS	1.96	2.12	0.04	94.22
N	9	MAKE TAPES FOR PSYOP BROADCASTS	2.72	1.54	0.04	94.26
B	22	PROVIDE GUIDANCE IN AGRICULTURAL PROJECTS	4.21	1.00	0.04	94.30
B	11	DIRECT THE CONSTRUCTION OF AIRFIELD SUPPORT FACILITIES	2.97	1.41	0.04	94.34
G	11	ASSEMBLE AND PACK SUPPLIES FOR AIRDROP	4.46	0.94	0.04	94.38
C	22	COORDINATE CIVIC ACTION WITH RELIGIOUS ORGANIZATIONS	5.69	0.73	0.04	94.43
A	27	PLAN ECONOMIC DEVELOPMENT	4.46	0.93	0.04	94.47
T	60	SET UP COMMUNICATION OR NAVIGATION NETWORKS	2.48	1.67	0.04	94.51
L	16	TRAIN INSTRUCTORS IN PSYOP	2.23	1.84	0.04	94.55
K	23	PERFORM QUALITATIVE ANALYSES OF ENEMY PROPAGANDA	3.71	1.10	0.04	94.59
M	14	MONITOR PROPAGANDA BROADCASTS	1.98	2.05	0.04	94.63
J	10	COORDINATE PSYOP SOCIAL SCIENCE RESEARCH ACTIVITIES	2.72	1.48	0.04	94.67
M	8	IMPLEMENT LIAISON PROCEDURES	3.47	1.16	0.04	94.71
H	32	SELECT TEAM MEMBERS TO EXECUTE PSYOP	3.47	1.16	0.04	94.75
L	4	DEVELOP OR REVISE PSYOP TRAINING LITERATURE	2.48	1.61	0.04	94.79
C	32	COORDINATE THE USE OF HELICOPTERS FOR AGRICULTURAL PURPOSES	2.48	1.60	0.04	94.83
H	22	PLAN PSYOP COUNTERMEASURES	4.46	0.89	0.04	94.87
S	15	GUIDE THE SELECTION OF PERSONNEL FOR INDIGENOUS CIVIC ACTION TEAMS	5.20	0.76	0.04	94.91
E	24	INSTRUCT INDIGENOUS PERSONNEL IN THEIR OWN COUNTRY'S CIVIC ACTION OBJECTIVES	5.45	0.73	0.04	94.95
N	2	DESIGN LEAFLET FORMATS	3.71	1.06	0.04	94.99
N	14	USE AIRCRAFT AS BROADCASTING CENTER FOR RADIO OR TV	1.49	2.65	0.04	95.03
E	37	SUPERVISE MOBILE DISPENSARY UNITS	3.22	1.22	0.04	95.07
T	23	ESTABLISH HOST-TENANT AGREEMENT FOR CONDUCTING AIR FORCE SPECIAL OPERATIONS	3.47	1.13	0.04	95.11

V	10	DROP MAIL TO GUERRILLAS	2.97	1.32	0.04	95.15
T	53	PROVIDE GUIDANCE IN DEFENDING AGAINST AIRFIELD ATTACKS	3.71	1.05	0.04	95.18
J	1	ANALYZE CIVIC ACTION CAPABILITIES OF INDIGENOUS CIVIL AGENCIES	5.20	0.74	0.04	95.22
A	43	PLAN TRAINING OF INDIGENOUS PERSONNEL IN LAW ENFORCEMENT AND INTERNAL SECURITY	3.22	1.20	0.04	95.26
A	7	ORGANIZE AND SPONSOR AERC CLUB OPERATIONS	1.73	2.23	0.04	95.30
T	63	SET UP SPECIAL OPERATIONS COMMUNICATION LINES	3.22	1.20	0.04	95.34
V	24	PERFORM AERIAL MAPPING TO ASSIST GUERRILLA TRAVEL	2.97	1.28	0.04	95.38
K	13	EVALUATE PERFORMANCE OF INDIGENOUS PSYOP PERSONNEL	2.97	1.27	0.04	95.41
K	6	COLLECT AND EVALUATE PSYOP PRODUCTION DATA	3.47	1.08	0.04	95.45
C	21	COORDINATE MAT ACTIVITIES WITH HOST GOVERNMENT AGENCIES	3.22	1.16	0.04	95.49
M	38	REPORT PSYOP EVALUATIVE DATA	3.47	1.06	0.04	95.53
M	48	USE PSYOP COUNTERMEASURES	2.72	1.34	0.04	95.56
B	32	SELECT AND INITIATE PROGRAMS AT THE LOCAL COMMUNITY LEVEL	3.47	1.04	0.04	95.60
M	35	PROVIDE GUIDANCE IN CONDUCTING HOST COUNTRY PSYOP CAMPAIGNS	3.22	1.11	0.04	95.64
C	13	COORDINATE CIVIC ACTION WITH HOST COUNTRY EDUCATIONAL AGENCIES	4.46	0.80	0.04	95.67
M	3	COMPUTE DISPERSION PATTERNS FOR AERIAL DELIVERY OF PSYOP MATERIALS	3.47	1.03	0.04	95.71
G	32	DEVELOP SYSTEMS TO MEASURE CIVIC ACTION PROGRAM EFFECTIVENESS	4.95	0.72	0.04	95.74
B	40	SUPERVISE THE ESTABLISHMENT OF HOSPITALS, DISPENSARIES, OR FIRST AID STATIONS	3.71	0.95	0.04	95.78
M	5	EDIT AND TABULATE PSYOP DATA	3.22	1.10	0.04	95.81
M	37	PROVIDE ESTIMATES FOR PROPAGANDA MATERIALS	3.22	1.09	0.04	95.85
P	6	ESTABLISH AIRBORNE TELEVISION SYSTEMS	1.73	2.03	0.04	95.88
A	41	PLAN RECREATIONAL PROJECTS	3.22	1.09	0.04	95.92
T	25	FLASH MESSAGES FROM AIRCRAFT	1.73	2.02	0.04	95.95
S	7	INSTRUCT AIRCRAFT CONTROL PERSONNEL IN COIN ACTIVITIES	3.47	1.01	0.04	95.99
A	31	PLAN HOST COUNTRY AIRPORT MANAGEMENT	2.48	1.41	0.03	96.02
G	61	OBSERVE, REPORT, OR FORECAST WEATHER CONDITIONS	2.72	1.28	0.03	96.06
S	19	INSTRUCT INFORMATION SERVICES PERSONNEL IN COIN ACTIVITIES	1.58	1.73	0.03	96.09
T	72	USE CUSTOMARY INDIGENOUS GESTURES OF COMMUNICATION	2.41	1.37	0.03	96.13
R	8	EVALUATE INDIGENOUS COIN AIR BASE SECURITY	2.48	1.36	0.03	96.16
S	39	TRAIN SPECIAL ACTION FORCES	3.22	1.05	0.03	96.19
G	24	CONSTRUCT OR IMPROVE CIVILIAN AIRPORT FACILITIES	2.48	1.36	0.03	96.23
E	45	PROVIDE TECHNICAL ASSISTANCE IN SCHOOL ADMINISTRATION	1.73	1.94	0.03	96.26
M	6	EDIT NEWS RELEASES FOR PSYOP	2.48	1.33	0.03	96.29
I	4	DIRECT OR SUPERVISE PSYOP LOGISTICAL SUPPORT	3.96	0.82	0.03	96.33
S	24	INSTRUCT MUNITIONS PERSONNEL IN COIN ACTIVITIES	1.98	1.64	0.03	96.36
F	54	PROVIDE GUIDANCE IN THE INSTALLATION OF COMMUNICATIONS CHANNELS OR EQUIPMENT	3.47	0.92	0.03	96.39
D	20	INSPECT TRANSPORTATION FACILITIES AND MAKE REPORTS	2.72	1.17	0.03	96.42
B	20	PROVIDE GUIDANCE FOR INDIGENOUS FINANCIAL PROJECTS OR PROGRAMS	3.71	0.85	0.03	96.45
G	19	CONSTRUCT CIVIC ACTION CHECKLISTS OR QUESTIONNAIRES	4.21	0.74	0.03	96.49
V	2	ASSIST GUERRILLAS IN SETTING UP AMBUSHES	1.73	1.79	0.03	96.52
F	55	PROVIDE GUIDANCE IN THE MAINTENANCE OF COMMUNICATIONS EQUIPMENT	2.48	1.24	0.03	96.55
K	21	EXAMINE ENEMY MATERIEL SUCH AS ORDNANCE OR MEDICAL ITEMS FOR PSYOP INTELLIGENCE INFORMATION	3.22	0.95	0.03	96.58
H	29	PROVIDE GUIDANCE IN ORGANIZING HOST COUNTRY PSYOP UNITS	3.71	0.82	0.03	96.61

F	39	SUPERVISE THE ESTABLISHMENT OF DENTAL CLINICS	2.72	1.10	0.03	96.64
V	19	GATHER INTELLIGENCE FOR GUERRILLAS BY HIGH OVERFLIGHTS	1.24	2.29	0.03	96.67
E	51	TRAIN INDIGENOUS MILITARY PERSONNEL IN CIVIC ACTION FUNCTIONS	3.96	0.74	0.03	96.70
F	7	GUIDE INDIGENOUS ADMINISTRATORS IN THE ORGANIZATION OF CIVIC ACTION PROGRAMS	3.71	0.79	0.03	96.73
H	21	PLAN PSYOP ATTITUDINAL SURVEYS	2.48	1.17	0.03	96.75
T	51	PREPARE WRITTEN STATUS AND PROGRESS REPORTS FOR COUNTRY TEAM	3.22	0.88	0.03	96.78
G	95	PROVIDE SUPPLIES FOR REFUGEE CENTERS	2.23	1.27	0.03	96.81
I	5	DIRECT PSYOP CAMPAIGNS	3.22	0.87	0.03	96.84
S	27	INSTRUCT TRANSPORTATION PERSONNEL IN COIN ACTIVITIES	1.24	2.27	0.03	96.87
E	36	PROVIDE GUIDANCE IN TRAINING INDIGENOUS MILITARY PERSONNEL IN CIVIC ACTION FUNCTIONS	4.46	0.63	0.03	96.90
B	41	SUPERVISE THE ESTABLISHMENT OF POTABLE WATER SUPPLIES	4.21	0.66	0.03	96.92
F	52	PROVIDE GUIDANCE IN THE CONSTRUCTION OF SCHOOLS OR SCHOOL EQUIPMENT	3.96	0.69	0.03	96.95
Q	26	COORDINATE US INVOLVEMENT IN INTERNAL DEFENSE AND DEVELOPMENT OPERATIONS WITH CIVILIAN EFFORT	2.23	1.21	0.03	96.98
H	28	PROVIDE GUIDANCE IN ORGANIZING CULTURAL GROUPS, MINSTRELS, OR TRAVELING ENTERTAINERS	2.97	0.91	0.03	97.00
P	7	ESTABLISH COMMAND AND CONTROL SYSTEMS FOR INTERNAL DEFENSE AND DEVELOPMENT OPERATIONS	3.22	0.82	0.03	97.03
D	18	INSPECT MEDICAL FACILITIES AND MAKE REPORTS	3.71	0.71	0.03	97.06
R	6	EVALUATE EFFECT OF US CIVILIAN UNITS ON INDIGENOUS COIN OPERATIONS	2.48	1.07	0.03	97.08
I	10	PSYOP PERFORMANCE IN THE FIELD	2.72	0.96	0.03	97.11
B	21	PROVIDE GUIDANCE FOR THE SUPERVISION OF INDIGENOUS CIVIC ACTION TEAMS	4.70	0.55	0.03	97.14
G	58	OBTAIN READING MATERIALS FOR INDIGENOUS STUDY	3.47	0.75	0.03	97.16
C	28	COORDINATE HOST GOVERNMENT LAW ENFORCEMENT AND INTERNAL SECURITY OPERATIONS	2.72	0.95	0.03	97.19
K	12	EVALUATE PERFORMANCE OF INDIGENOUS PSYOP ORGANIZATIONS	3.22	0.80	0.03	97.21
I	21	SUPERVISE PSYOP SURVEY TEAMS	2.48	1.03	0.03	97.24
B	4	DIRECT AGRICULTURAL PROJECTS	2.23	1.14	0.03	97.26
V	35	TRAIN GUERRILLAS IN USE OF AIRCRAFT	2.48	1.02	0.03	97.29
F	56	PROVIDE GUIDANCE IN THE OPERATION OF PUBLIC ADDRESS SYSTEMS	2.72	0.92	0.03	97.32
C	17	PLAN THE USE OF DECOYS TO ENTRAP INSURGENTS	2.72	0.92	0.02	97.34
I	12	SCHEDULE PRESS WORKLOADS	2.23	1.11	0.02	97.36
P	13	SET UP SYSTEMS TO MAKE CONTACT WITH INDIGENOUS PEOPLE	2.48	0.99	0.02	97.39
T	70	USE AIRCRAFT DECOYS TO MISLEAD ENEMY	2.23	1.10	0.02	97.41
M	34	PRODUCE PSYOP RADIO OR TV PROGRAMS	1.73	1.41	0.02	97.44
H	17	PLAN INSTRUCTIONAL FACILITIES FOR PSYOP TRAINING	1.99	1.23	0.02	97.46
T	59	SEED AREAS WITH MINES	1.49	1.63	0.02	97.49
V	5	COMMAND SPECIAL FORCES UNIT	1.73	1.38	0.02	97.51
T	22	ESTABLISH A COIN INTELLIGENCE ORGANIZATION	2.23	1.06	0.02	97.53
T	57	REQUEST FACILITIES OR SUPPLIES FROM HOST GOVERNMENT COUNTRY TEAM	2.97	0.79	0.02	97.56
F	22	PROVIDE GUIDANCE IN ESTABLISHING BASIC EDUCATION AND LITERACY PROJECTS	2.23	1.06	0.02	97.58
J	10	EVALUATE DISTRIBUTION OF HOST COUNTRY SUPPLIES BY INDIGENOUS PERSONNEL	3.22	0.73	0.02	97.60
J	109	SPECT FISH FOR FISHING FLEETS	0.74	3.11	0.02	97.63

P	4	DIRECT ORGANIZATION, WHICH PROVIDE HOST COUNTRY WITH COIN INTELLIGENCE	1.98	1.16	0.02	97.65
A	29	PLAN GROUND TRANSPORTATION PROJECTS	3.47	0.56	0.07	97.67
C	22	CONSTRUCT HOSPITALS OR DISPENSARIES	1.73	1.31	0.02	97.70
F	28	PROVIDE GUIDANCE IN ESTABLISHING SUPPORT SERVICES FOR INDIGENOUS AIRFIELDS	3.22	0.73	0.02	97.72
L	5	EVALUATE ACHIEVEMENT OF PSYOP TRAINEES	2.97	0.75	0.02	97.74
Q	10	COORDINATE COIN ACTIVITIES WITH COUNTRIES OTHER THAN HOST COUNTRY	3.47	0.64	0.02	97.76
R	11	INSTRUCT INDIGENOUS PERSONNEL IN AIRCRAFT MAINTENANCE AND SERVICING	1.73	1.28	0.02	97.79
F	10	PROVIDE GUIDANCE IN AGRICULTURAL PROGRAMS	3.22	0.69	0.02	97.81
Q	19	COORDINATE LOGISTICAL SUPPORT WITH INDIGENOUS MILITARY ASSOCIATES	2.97	0.74	0.02	97.83
T	19	DROP NONSENSE ITEMS TO CONFUSE ENEMY	1.73	1.24	0.02	97.85
S	10	INSTRUCT AVIONICS PERSONNEL IN COIN ACTIVITIES	1.24	1.74	0.02	97.87
D	8	PLAN DISPERSAL OF MINES OR BOOBY TRAPS IN INSURGENT AREAS	2.48	0.84	0.02	97.89
M	4	DEVELOP COUNTERPROPAGANDA	3.71	0.56	0.02	97.91
K	24	PERFORM QUANTITATIVE ANALYSES OF ENEMY PROPAGANDA	2.23	0.93	0.02	97.94
I	18	SUPERVISE PSYOP COUNTERMEASURES	2.72	0.76	0.02	97.96
F	11	PROVIDE GUIDANCE IN BASIC EDUCATION AND LITERACY PROJECTS	2.97	0.69	0.02	97.98
F	44	PROVIDE GUIDANCE IN TRAINING VETERINARIANS IN CIVIC ACTION OPERATIONS	2.46	0.83	0.02	98.00
S	62	OPERATE COMMUNICATIONS EQUIPMENT	2.48	0.83	0.02	98.02
Q	12	COORDINATE COIN ACTIVITIES WITH INDIGENOUS CIVILIAN PERSONNEL	3.22	0.64	0.02	98.04
N	11	PREPARE AND PUBLISH PSYOP REPORTS	2.48	0.82	0.02	98.06
E	38	PROVIDE GUIDANCE IN TRAINING IN PUBLIC HEALTH AND SANITATION	2.72	0.73	0.02	98.08
E	43	PROVIDE GUIDANCE IN TRAINING MEDICAL PERSONNEL IN CIVIC ACTION OPERATIONS	2.72	0.73	0.02	98.10
S	8	INSTRUCT AIRCRAFT MAINTENANCE PERSONNEL IN COIN ACTIVITIES	1.73	1.12	0.02	98.12
S	91	PROVIDE GUIDANCE IN SUPPORT OF AGRICULTURAL PROGRAMS	3.22	0.60	0.02	98.14
I	1	ASSIGN PSYOP PERSONNEL	2.23	0.85	0.02	98.16
A	42	PLAN REFUGEE PROGRAMS	2.97	0.63	0.02	98.17
G	2	ADMINISTER FIRST AID	3.22	0.58	0.02	98.19
M	11	INTERVIEW INDIGENOUS PERSONNEL	2.48	0.75	0.02	98.21
M	10	INTERVIEW DEFECTORS OR REFUGEES	2.72	0.68	0.02	98.23
E	23	INSTRUCT INDIGENOUS PERSONNEL IN SPORTS	2.48	0.74	0.02	98.25
S	15	INSTRUCT ELECTRONICS PERSONNEL IN COIN ACTIVITIES	1.24	1.44	0.02	98.27
E	41	PROVIDE GUIDANCE IN TRAINING OF INDIGENOUS SCHOOL TEACHERS OR ADMINISTRATORS	1.49	1.19	0.02	98.28
A	24	PLAN CONSERVATION PROJECTS	3.22	0.54	0.02	98.30
T	20	DROP SENSORY UNITS	1.73	1.00	0.02	98.32
E	15	INSTRUCT INDIGENOUS PERSONNEL IN DEVELOPING CIVILIAN FLYING ORGANIZATIONS SUCH AS CIVIL AIR PATROL	1.24	1.38	0.02	98.34
L	12	PROVIDE GUIDANCE IN TRAINING HOST COUNTRY PSYOP PERSONNEL	2.48	0.69	0.02	98.35
M	9	ORGANIZE US PSYOP UNITS	1.73	0.95	0.02	98.37
S	86	PROVIDE GUIDANCE IN DEVELOPING COMMUNICATIONS	2.97	0.55	0.02	98.39
F	45	PROVIDE GUIDANCE IN SPRAYING OR SPREADING HERBICIDES, INSECTICIDES, OR FERTILIZERS BY MEANS OF GROUND EQUIPMENT	2.23	0.74	0.02	98.40
E	56	TRAIN INDIGENOUS SCHOOL TEACHERS OR ADMINISTRATORS	1.49	1.10	0.02	98.42
T	36	MAKE NIGHT WATER LANDINGS	0.99	1.65	0.02	98.44

F 17	PROVIDE GUIDANCE IN CONSTRUCTING OR IMPROVING CIVILIAN AIRPORT FACILITIES	1.98	0.83	0.02	96.45
F 20	PROVIDE GUIDANCE IN DIGGING WELLS	2.72	0.60	0.02	98.47
F 70	MONITOR AERIAL BROADCASTS BY INDIGENOUS PERSONNEL	1.48	0.65	0.02	98.46
G 63	OPERATE LOCAL CIVIC INFORMATION PROJECT	1.49	1.00	0.02	98.50
A 34	PLAN METEOROLOGICAL FACILITIES	1.98	0.81	0.02	98.52
E 12	INSTRUCT INDIGENOUS PERSONNEL IN AIRPORT MANAGEMENT	2.23	0.71	0.02	98.53
M 6	ORGANIZE FIXED SITE OR MOBILE RADIO TEAMS	1.24	1.20	0.02	98.55
C 54	TRAIN INDIGENOUS PERSONNEL IN PUBLIC HEALTH AND SANITATION	2.72	0.58	0.02	98.56
G 111	SURVEY AREA RESOURCES	2.97	0.53	0.02	98.58
C 17	COORDINATE CIVIC ACTION WITH INDIGENOUS YOUTH ORGANIZATIONS	2.23	0.70	0.02	98.59
B 18	MONITOR MOVEMENT OF REFUGEES	2.72	0.57	0.02	98.61
Q 31	PERFORM LIAISON DUTY WITH AMPHIBIOUS FORCES	2.48	0.61	0.02	98.63
E 61	TRAIN SKILLED INDIGENOUS PERSONNEL IN CIVIC ACTION OPERATIONS	2.72	0.54	0.01	98.64
I 17	SUPERVISE PSYOP ACTION TEAMS	2.23	0.66	0.01	98.65
G 28	CONSTRUCT SCHOOLS OR SCHOOL EQUIPMENT	2.23	0.65	0.01	98.67
B 6	DIRECT IMMUNIZATION PROGRAMS	2.72	0.53	0.01	98.68
I 6	DIRECT RADIO BROADCAST PRODUCTION	1.73	0.83	0.01	98.70
L 2	CONDUCT PSYOP UNIT TRAINING	1.73	0.81	0.01	98.71
F 47	PROVIDE GUIDANCE IN THE CONSTRUCTION OF HOSPITALS OR DISPENSARIES	2.97	0.47	0.01	98.73
E 28	INSTRUCT VILLAGERS IN PERSONAL HEALTH HABITS OR LIVING HABITS	2.72	0.52	0.01	98.74
M 22	OPERATE STILL PICTURE CAMERAS FOR PSYOP	2.23	0.63	0.01	98.75
E 35	PROVIDE GUIDANCE IN TEACHING LATRINE CONSTRUCTION AND WASTE COVERAGE	2.97	0.47	0.01	98.77
C 93	PROVIDE SOLUTIONS FOR REFUGEE PROBLEMS	2.72	0.51	0.01	98.78
F 30	PROVIDE GUIDANCE IN LAYING COMMUNICATIONS LINES BY AIR	0.99	1.39	0.01	98.80
M 8	MAKE RADIO BROADCASTS	0.99	1.37	0.01	98.81
M 1	APPLY STATISTICAL TECHNIQUES TO PSYOP	1.98	0.68	0.01	98.82
M 40	ACQUISITION PSYOP MOTION PICTURES, STILL PICTURES, OR TV VIDEO TAPES	2.23	0.60	0.01	98.84
I 19	SUPERVISE PSYOP LIAISON ACTIVITIES	1.98	0.67	0.01	98.85
M 20	OPERATE RADIO TRANSMITTING EQUIPMENT FOR PSYOP	1.98	0.66	0.01	98.86
B 5	DIRECT A NATIONAL CIVIC ACTION PROGRAM	1.98	0.65	0.01	98.87
G 60	OBSERVE AND REPORT TRAFFIC CONDITIONS	0.99	1.30	0.01	98.89
F 6	GUIDE INDIGENOUS ADMINISTRATORS IN SETTING UP HEALTH PROGRAMS	2.72	0.47	0.01	98.90
M 4	GUIDE PLANNING OF AMNESTY PROGRAMS	1.98	0.65	0.01	98.91
B 17	MONITOR INDIGENOUS INSPECTION OF RESTAURANTS OR OTHER PUBLIC FACILITIES	1.73	0.73	0.01	98.93
A 22	PLAN COMMERCIAL OR INDUSTRIAL CIVIC ACTION PROJECTS	2.97	0.42	0.01	98.94
T 50	POLICE VILLAGES BY AIR	1.49	0.83	0.01	98.95
E 50	TRAIN INDIGENOUS MEDICAL PERSONNEL IN CIVIC ACTION OPERATIONS	2.72	0.45	0.01	98.96
I 16	SUPERVISE THE MAINTENANCE OF PSYOP EQUIPMENT	1.73	0.71	0.01	98.98
F 51	PROVIDE GUIDANCE IN THE CONSTRUCTION OF RELIGIOUS OR CULTURAL BUILDINGS	1.73	0.70	0.01	98.99
G 105	SET UP MOBILE DISPENSARY UNITS	1.73	0.70	0.01	99.00
M 33	PROCURE AND EMPLOY INDIGENOUS PERSONNEL FOR PSYOP	1.73	0.69	0.01	99.01
I 3	DEVISE LOCAL EXPEDIENT PRINTING METHODS	1.98	0.58	0.01	99.02
B 29	PROVIDE GUIDANCE IN ESTABLISHING WEATHER NETWORKS	1.73	0.66	0.01	99.03

Code	Description	2.58	0.46	0.01	99.05
A 46	PLAN VOCATIONAL TRAINING PROJECTS	2.23	0.51	0.01	99.06
F 5	GUIDE INDIGENOUS ADMINISTRATORS IN RECORD KEEPING AND REPORTING	2.23	0.50	0.01	99.07
F 65	PROVIDE GUIDANCE IN WATER OR WASTE PROCESSING	1.96	0.56	0.01	99.08
G 34	DIG WATER WELLS	1.49	0.74	0.01	99.09
T 75	USE SIGN LANGUAGE FOR SECURITY PURPOSES IN THE JUNGLE	2.23	0.49	0.01	99.10
M 43	SELECT TARGET POPULATION SAMPLES	2.72	0.40	0.01	99.11
C 23	COORDINATE CIVIC ACTION WITH US COMMERCIAL OR BUSINESS ORGANIZATIONS	2.48	0.44	0.01	99.12
G 104	SET UP IMMUNIZATION PROGRAMS	2.72	0.40	0.01	99.13
D 19	INSPECT SCHOOLS AND MAKE EDUCATION REPORTS	2.48	0.43	0.01	99.14
D 13	EVALUATE HOST COUNTRY EFFORTS TO CARRY OUT AGRARIAN REFORMS	2.23	0.43	0.01	99.15
M 6	IDENTIFY AND INFLUENCE INDIGENOUS KEY COMMUNICATORS, OPINION FORMERS, OR AGITATORS	1.98	0.54	0.01	99.17
E 25	INSTRUCT INDIGENOUS PERSONNEL IN THE USE OF AUDIOVISUAL EQUIPMENT	0.99	1.06	0.01	99.18
V 20	INTERROGATE INDIGENOUS PERSONNEL IN THEIR NATIVE LANGUAGE	1.73	0.60	0.01	99.19
L 9	INSTRUCT PRISONERS, DEFECTORS, OR REFUGEES FOR PSYOP	1.24	0.84	0.01	99.20
E 57	TRAIN INDIGENOUS VETERINARIANS IN CIVIC ACTION OPERATIONS	1.49	0.69	0.01	99.21
M 26	PARTICIPATE AS A MEMBER OF A PSYOP ACTION TEAM	1.49	0.68	0.01	99.22
F 40	PROVIDE GUIDANCE IN PRODUCING MATERIALS FOR PRESENTATION BY INDIGENOUS CULTURAL TEAMS	1.49	0.67	0.01	99.23
M 42	SELECT RADIO TRANSMISSION SITES	0.99	0.99	0.01	99.24
G 7	APPLY TECHNIQUES OF FIRE PREVENTION AND CONTROL	2.23	0.44	0.01	99.25
E 46	PROVIDE TECHNICAL TRAINING TO INDIGENOUS CIVIC ACTION PERSONNEL	2.48	0.39	0.01	99.26
F 13	PROVIDE GUIDANCE IN BUILDING COMMUNITY STRUCTURES SUCH AS CIVIC CENTERS OR MARKETS	2.23	0.44	0.01	99.27
G 103	SET UP HOSPITALS, DISPENSARIES, OR FIRST AID STATIONS	1.98	0.49	0.01	99.28
E 5	DEMONSTRATE COMMUNICATION EQUIPMENT FOR CIVIC ACTION PROJECTS	1.98	0.48	0.01	99.29
G 48	HELP INDIGENOUS PERSONNEL TO FIND EMPLOYMENT	2.23	0.43	0.01	99.30
C 20	COORDINATE CIVIC ACTION WITH PEACE CORPS	1.98	0.48	0.01	99.30
M 1	CONDUCT FACE-TO-FACE PERSUASION IN PSYOP	2.23	0.42	0.01	99.31
F 15	PROVIDE GUIDANCE IN CARE OF REFUGEES	1.98	0.47	0.01	99.32
G 90	PROVIDE GUIDANCE IN OBTAINING WATER SUPPLIES	1.73	0.53	0.01	99.33
M 49	WARN INDIGENOUS CIVILIANS OF AIR RAIDS	1.98	0.46	0.01	99.34
E 22	INSTRUCT INDIGENOUS PERSONNEL IN SOIL AND WATER CONSERVATION	1.73	0.52	0.01	99.35
M 81	PROVIDE GUIDANCE IN PLANNING INDIGENOUS MEETINGS, RALLIES, OR DEMONSTRATIONS	2.48	0.37	0.01	99.36
C 16	COORDINATE CIVIC ACTION WITH INDIGENOUS COMMERCIAL OR BUSINESS ORGANIZATIONS	1.49	0.61	0.01	99.37
S 30	TEACH FLYING TACTICS TO INDIGENOUS GOVERNMENT CIVILIAN PERSONNEL	1.73	0.50	0.01	99.38
F 16	PROVIDE GUIDANCE IN CONSTRUCTING HOMES FOR INDIGENOUS PERSONNEL	0.99	0.87	0.01	99.39
A 33	PLAN HOST COUNTRY CIVIL AIR PATROL ACTIVITIES	1.73	0.49	0.01	99.39
M 21	OPERATE RECORDER COMPONENTS SUCH AS RECORDER-REPRODUCER, AUDIO-FREQUENCY AMPLIFIERS, OR MAGNETIC ERASERS FOR PSYOP	1.24	0.65	0.01	99.40
C 33	COORDINATE THE USE OF HELICOPTERS IN SURVEILLANCE OR TRAFFIC CONTROL	0.99	0.80	0.01	99.41
E 53	TRAIN INDIGENOUS PERSONNEL IN OPERATING COMMUNICATIONS EQUIPMENT				



F 1	GUIDE INDIGENOUS ADMINISTRATORS IN ESTABLISHING COOPERATIVE ORGANIZATIONS	1.98	0.39	0.01	99.42
S 88	PROVIDE GUIDANCE IN DEVELOPING WEATHER SERVICES	0.99	0.78	0.01	99.43
T 40	OPERATE ON-SITE US COUNTERINSURGENCY AGENCIES	1.24	0.62	0.01	99.43
P 16	SUPERVISE MOVEMENT AND RESETTLEMENT OF CIVILIANS FROM INSURGENT AREAS	1.49	0.51	0.01	99.44
G 12	BUILD COMMUNITY STRUCTURES SUCH AS CIVIC CENTERS OR MARKETS	1.98	0.38	0.01	99.45
G 118	TRANSPORT RARE METALS OR MINERALS	0.99	0.77	0.01	99.46
F 39	PROVIDE GUIDANCE IN PERFORMING AERIAL INSPECTIONS OF ROADS, PIPELINES, OR UTILITIES	1.98	0.38	0.01	99.46
M 9	INTERROGATE FOREIGN PRISONERS	1.49	0.50	0.01	99.47
B 13	ESTABLISH WEATHER NETWORKS	1.24	0.60	0.01	99.48
G 49	HERD CATTLE WITH AIRCRAFT	1.24	0.59	0.01	99.49
F 61	PROVIDE GUIDANCE IN TRANSPORTATION OF AGRICULTURAL COMMODITIES	1.24	0.59	0.01	99.49
D 17	INSPECT FARMING AREAS AND MAKE AGRICULTURAL REPORTS	1.98	0.36	0.01	99.50
E 37	PROVIDE GUIDANCE IN TRAINING IN LAW ENFORCEMENT AND INTERNAL SECURITY	1.24	0.58	0.01	99.51
G 20	CONSTRUCT FIELD EXPEDIENT ANTENNAS	1.24	0.57	0.01	99.52
G 33	DEWISE AND INSTALL EXPEDIENT ANTENNAS	1.24	0.57	0.01	99.52
G 53	INSTALL COMMUNICATIONS CHANNELS OR EQUIPMENT	1.24	0.57	0.01	99.53
E 10	INSTRUCT INDIGENOUS PERSONNEL IN AERO CLUB OPERATIONS	0.74	0.95	0.01	99.54
S 34	TEACH GROUND TACTICS TO INDIGENOUS CIVILIAN PERSONNEL	1.73	0.40	0.01	99.54
F 26	PROVIDE GUIDANCE IN ESTABLISHING OR IMPROVING TRANSPORTATION FACILITIES	1.98	0.35	0.01	99.55
T 33	LAY DOWN SMOKE SCREENS	0.99	0.69	0.01	99.56
E 58	TRAIN LOCAL POPULACE IN MEDICAL SKILLS	1.49	0.46	0.01	99.56
M 8	ORGANIZE PROPAGANDA TEAMS	1.73	0.39	0.01	99.57
B 38	SUPERVISE SIMULATED CIVIC ACTION TRAINING OPERATIONS	1.73	0.39	0.01	99.58
I 9	MONITOR OPERATION OF MOBILE AUDIOVISUAL UNITS BY INDIGENOUS PERSONNEL	1.49	0.44	0.01	99.58
F 34	PROVIDE GUIDANCE IN OBSERVING, REPORTING, OR FORECASTING WEATHER CONDITIONS	1.49	0.44	0.01	99.59
S 8	DEMONSTRATE THE USE OF NATURAL RESOURCES AND COMMON MATERIALS TO INDIGENOUS PERSONNEL	1.73	0.38	0.01	99.60
V 29	PROVIDE GUERRILLAS WITH WEATHER INFORMATION	1.49	0.43	0.01	99.60
P 19	SUPERVISE THE INTERROGATION OF PERSONNEL DESIGNED TO OBTAIN COIN INTELLIGENCE	1.24	0.51	0.01	99.61
F 4	GUIDE INDIGENOUS ADMINISTRATORS IN PERSONNEL SELECTION	1.49	0.42	0.01	99.62
F 50	PROVIDE GUIDANCE IN THE CONSTRUCTION OF REFUGEE CAMPS	1.98	0.31	0.01	99.62
M 27	PARTICIPATE AS A MEMBER OF A PSYOP SURVEY TEAM	1.49	0.41	0.01	99.63
E 40	PROVIDE GUIDANCE IN TRAINING OF DENTAL PERSONNEL IN CIVIC ACTION OPERATIONS	2.23	0.27	0.01	99.63
F 62	PROVIDE GUIDANCE IN TRANSPORTATION OF MANUFACTURED COMMODITIES	0.99	0.61	0.01	99.64
N 5	EDIT MOTION PICTURE OR TV FILMS FOR PSYOP PROGRAMS	1.73	0.35	0.01	99.65
T 66	SOW FLARES WITH EXPLOSIVES ATTACHED	0.74	0.80	0.01	99.65
G 85	PROVIDE GUIDANCE IN DEVELOPING CIVIL TRANSPORTATION NETWORKS	1.24	0.47	0.01	99.66
G 57	MAINTAIN COMMUNICATIONS EQUIPMENT	0.99	0.57	0.01	99.66
G 10	APPLY TECHNIQUES OF LIVESTOCK MANAGEMENT	1.49	0.38	0.01	99.67
F 15	INSTRUCT INDIGENOUS PERSONNEL IN FOOD PREPARATION AND NUTRITION	1.98	0.27	0.01	99.68

K 22	INSPECT PSYOP UNIT READINESS	1.24	0.43	0.01	99.68
G 27	CONSTRUCT RELIGIOUS OR CULTURAL BUILDINGS	1.24	0.42	0.01	99.69
L 13	PROVIDE CJT FOR UPGRADING PSYOP PERSONNEL	0.99	0.52	0.01	99.69
J 55	LAY COMMUNICATIONS LINES BY AIR	0.74	0.69	0.01	99.70
E 33	PROVIDE GUIDANCE IN METEOROLOGICAL TRAINING	1.49	0.34	0.01	99.70
F 9	GUIDE THE ESTABLISHMENT OF VILLAGE COMMERCIAL ENTERPRISES	1.49	0.34	0.01	99.71
G 102	SET UP FLYING DOCTOR SYSTEM	1.24	0.41	0.01	99.71
M 18	OPERATE MOTION PICTURE PROJECTORS FOR PSYOP	1.49	0.34	0.01	99.72
G 73	PARTICIPATE IN LAND CLEARING OPERATIONS	1.73	0.29	0.01	99.72
F 3	GUIDE INDIGENOUS ADMINISTRATORS IN IMPROVING WORK PROCEDURES	1.24	0.40	0.01	99.73
F 36	PROVIDE GUIDANCE IN OPERATING AN INDIGENOUS PUBLIC SAFETY PROJECT	1.49	0.34	0.00	99.73
D 14	PLAN MOVEMENT AND RESETTLEMENT OF CIVILIANS FROM INSURGENT AREAS	1.73	0.28	0.00	99.74
A 44	PLAN TRAINING OF INDIGENOUS PERSONNEL IN TEXTILE INDUSTRIAL SKILLS	0.99	0.49	0.00	99.74
M 17	OPERATE MOTION PICTURE CAMERAS FOR PSYOP	1.24	0.38	0.00	99.75
V 12	ESTABLISH AND OPERATE A WIND WEATHER NET	1.49	0.32	0.00	99.75
E 21	INSTRUCT INDIGENOUS PERSONNEL IN LIVESTOCK MANAGEMENT	1.49	0.31	0.00	99.76
G 52	INSPECT RESTAURANTS OR OTHER PUBLIC PLACES AND MAKE SANITATION REPORTS	0.99	0.46	0.00	99.76
N 12	PRODUCE PSYOP MOTION PICTURES	1.24	0.36	0.00	99.76
V 26	PREPARE RECORD FORMS FOR PERSONNEL OR INDEMNIFICATION PURPOSES	0.74	0.60	0.00	99.77
K 7	CONDUCT PRE- AND POST-MOVEMENT INSPECTIONS OF PSYOP UNITS	1.24	0.35	0.00	99.77
G 21	CONSTRUCT HOMES FOR INDIGENOUS PERSONNEL	1.24	0.35	0.00	99.78
M 23	OPERATE STILL PICTURE PROJECTORS FOR PSYOP	0.74	0.57	0.00	99.78
E 52	TRAIN INDIGENOUS PERSONNEL IN LAW ENFORCEMENT AND INTERNAL SECURITY	0.99	0.43	0.00	99.79
F 2	GUIDE INDIGENOUS ADMINISTRATORS IN IMPROVING PRODUCTION METHODS	1.24	0.33	0.00	99.79
S 22	INSTRUCT LOGISTICS AND SUPPLY SERVICES PERSONNEL IN COIN ACTIVITIES	1.49	0.27	0.00	99.79
S 11	INSTRUCT CARTOGRAPHERS IN COIN ACTIVITIES	0.99	0.41	0.00	99.80
S 28	INSTRUCT WEATHER PERSONNEL IN COIN ACTIVITIES	1.24	0.32	0.00	99.80
V 13	ESTABLISH COMMUNICATION NETWORK BETWEEN GUERRILLA UNITS	1.24	0.32	0.00	99.81
G 4	APPLY SOIL AND WATER CONSERVATION METHODS	1.24	0.32	0.00	99.81
P 15	SUPERVISE DISPERSAL OF MINES OR BOoby TRAPS IN INSURGENT AREAS	1.49	0.27	0.00	99.81
G 96	REPAIR OR MAINTAIN CIVILIAN AIRPORT RUNWAYS, TAXIWAYS, OR ACCESS ROUTES	1.49	0.26	0.00	99.82
S 13	INSTRUCT CIVILIAN POLICE ON INTERNAL SECURITY TECHNIQUES	0.99	0.39	0.00	99.82
G 101	SET UP DENTAL CLINICS	1.24	0.30	0.00	99.83
F 14	PROVIDE GUIDANCE IN BRIDGE CONSTRUCTION	1.49	0.25	0.00	99.83
M 19	OPERATE RADIO RECEIVING EQUIPMENT FOR PSYOP	1.24	0.30	0.00	99.83
I 8	MONITOR GROUND VEHICLE BROADCASTS BY INDIGENOUS PERSONNEL	0.99	0.37	0.00	99.84
P 17	SUPERVISE CONSTRUCTION OF BARBED WIRE OR ELECTRONIC BARRIERS AS PROTECTION AGAINST INSURGENT PENETRATION	0.99	0.37	0.00	99.84
I 2	COMMAND US PSYOP UNIT	0.99	0.37	0.00	99.84
S 32	TEACH FLYING TACTICS TO US CIVILIAN PERSONNEL	0.99	0.36	0.00	99.85
G 75	PAVE OR EXTEND CIVILIAN AIRPORT RUNWAYS, TAXIWAYS, OR ACCESS ROUTES	1.24	0.28	0.00	99.85

T	62	SET UP REMOTE BATTERY STATIONS IN UNFRENDEDLY COUNTRY	0.99	0.35	0.00	99.85
P	20	SUPERVISE TRAINING OF INDIGENOUS POLICE FORCE	0.99	0.33	0.00	99.86
M	16	OPERATE AUDIOVISUAL AID MOBILE UNITS	1.24	0.25	0.00	99.86
N	15	WRITE TV, RADIO, OR MOTION PICTURE SCRIPTS FOR PSYOP	1.24	0.24	0.00	99.86
F	14	INSTRUCT INDIGENOUS PERSONNEL IN CROP MANAGEMENT	0.99	0.29	0.00	99.87
F	43	PROVIDE GUIDANCE IN ROAD CONSTRUCTION	0.99	0.28	0.00	99.87
E	4	DEMONSTRATE COMMON CONSTRUCTION SKILLS TO INDIGENOUS PERSONNEL	1.24	0.21	0.00	99.87
F	27	PROVIDE GUIDANCE IN ESTABLISHING REFUGEE CENTERS	1.49	0.17	0.00	99.87
G	5	APPLY TECHNIQUES OF CROP MANAGEMENT	1.24	0.21	0.00	99.88
E	42	PROVIDE GUIDANCE IN TRAINING IN MANUAL SKILLS SUCH AS WOODWORKING	1.24	0.20	0.00	99.88
F	38	PROVIDE GUIDANCE IN OPERATING AN INDIGENOUS PUBLIC WELFARE PROJECT	1.24	0.20	0.00	99.88
F	48	PROVIDE GUIDANCE IN THE CONSTRUCTION OF IRRIGATION SYSTEMS	0.99	0.25	0.00	99.88
G	110	SPRAY OR SPREAD HERBICIDES, INSECTICIDES, OR FERTILIZERS USING GROUND EQUIPMENT	0.74	0.33	0.00	99.89
F	49	PROVIDE GUIDANCE IN THE CONSTRUCTION OF PORT FACILITIES	0.74	0.32	0.00	99.89
G	8	APPLY TECHNIQUES OF FISHERY MANAGEMENT	0.99	0.23	0.00	99.89
V	21	INTERROGATE PRISONERS OF WAR IN THEIR NATIVE LANGUAGE	0.74	0.31	0.00	99.89
N	7	FLASH MESSAGES IN THE SKY	0.74	0.31	0.00	99.90
G	26	CONSTRUCT REFUGEE CAMPS	0.99	0.23	0.00	99.90
G	106	SET UP MODEL VILLAGE	0.99	0.23	0.00	99.90
H	5	ORGANIZE FIXED SITE OR MOBILE PRINTING TEAMS	0.99	0.23	0.00	99.90
F	31	PROVIDE GUIDANCE IN MANAGING REFUGEE CENTERS	1.24	0.18	0.00	99.91
G	87	PROVIDE GUIDANCE IN DEVELOPING PUBLIC WORKS	0.99	0.22	0.00	99.91
J	50	IDENTIFY WATER SOURCES FOR IRRIGATION	0.99	0.22	0.00	99.91
G	64	OPERATE LOCAL COMMERCIAL OR INDUSTRIAL PROJECT	0.74	0.29	0.00	99.91
F	19	PROVIDE GUIDANCE IN DEVISING AND INSTALLING EXPEDIENT ANTENNAS	0.99	0.22	0.00	99.91
S	36	TEACH GROUND TACTICS TO US CIVILIAN PERSONNEL	0.74	0.28	0.00	99.92
E	63	USE MODEL VILLAGE FOR TRAINING DEMONSTRATIONS	0.74	0.27	0.00	99.92
F	59	PROVIDE GUIDANCE IN THE SURVEY OF CROP CONDITIONS	1.24	0.16	0.00	99.92
E	6	DEMONSTRATE TECHNIQUES OF CIVIL ENGINEERING TO INDIGENOUS PERSONNEL	0.99	0.20	0.00	99.92
V	27	PREPARE MATTER FOR GUERRILLAS TO DISSEMINATE	0.74	0.27	0.00	99.92
E	59	TRAIN LOCAL POPULACE IN METEOROLOGY	0.99	0.20	0.00	99.93
G	18	CONSTRUCT BRIDGE	0.74	0.26	0.00	99.93
E	55	TRAIN INDIGENOUS PERSONNEL IN TEXTILE INDUSTRIAL SKILLS	0.74	0.26	0.00	99.93
G	16	CONDUCT MAGNETOMETRIC OR RADIOMETRIC SURVEYS	0.74	0.25	0.00	99.93
S	12	INSTRUCT CIVIL ENGINEERS IN COIN ACTIVITIES	0.99	0.18	0.00	99.93
S	23	INSTRUCT MOTOR VEHICLE MAINTENANCE PERSONNEL IN COIN ACTIVITIES	0.99	0.18	0.00	99.94
G	23	CONSTRUCT IRRIGATION SYSTEMS	0.74	0.23	0.00	99.94
F	35	PROVIDE GUIDANCE IN TRAINING IN TEXTILE INDUSTRIAL SKILLS	0.74	0.22	0.00	99.94
F	35	PROVIDE GUIDANCE IN OPERATING AN INDIGENOUS COMMERCIAL OR INDUSTRIAL PROJECT	0.74	0.22	0.00	99.94
C	6	COORDINATE AIR SEARCH FOR FOOD SUPPLIES SUCH AS FISH OR GAME	0.74	0.22	0.00	99.94
G	112	SURVEY CROP CONDITIONS	0.99	0.15	0.00	99.94
E	17	INSTRUCT INDIGENOUS PERSONNEL IN FISHERY MANAGEMENT	0.74	0.20	0.00	99.95
F	8	ESTABLISH RADIO COMMUNICATIONS SYSTEMS FOR EDUCATION	0.99	0.15	0.00	99.95
G	45	FLY IN MEN AND EQUIPMENT FOR FIRE FIGHTING	0.74	0.20	0.00	99.95

R	36	SUPERVISE INDUSTRIAL RELATIONS PROGRAMS	0.74	0.20	0.00	99.95
G	41	ESTABLISH ELECTRIC GENERATING OR HYDROELECTRIC FACILITIES	0.74	0.20	0.00	99.95
F	30	PROVIDE GUIDANCE FOR LITERACY AND BASIC EDUCATION TRAINING TO INDIGENOUS PERSONNEL IN THEIR OWN LANGUAGE	0.74	0.19	0.00	99.95
S	16	INSTRUCT FUELS PERSONNEL IN COIN ACTIVITIES	0.74	0.17	0.00	99.95
E	20	INSTRUCT INDIGENOUS PERSONNEL IN LAND RECLAMATION	0.74	0.17	0.00	99.95
G	30	DEVELOP CIVILIAN TRANSPORTATION NETWORKS	0.74	0.17	0.00	99.96
H	7	ORGANIZE LITERACY OR GRAPHIC ARTS PSYOP PROGRAMS	0.74	0.16	0.00	99.96
S	89	PROVIDE GUIDANCE IN FLOOD CONTROL	0.74	0.14	0.00	99.96
E	3	DEMONSTRATE BENEFITS OF AGRARIAN REFORM TO HOST COUNTRY OFFICIALS	0.74	0.11	0.00	99.96
A	34	PLAN INDUSTRIAL RELATIONS PROGRAMS	0.50	0.12	0.00	99.96
B	9	DIRECT PUBLIC FINANCE PROGRAMS	0.50	0.12	0.00	99.96
E	19	INSTRUCT INDIGENOUS PERSONNEL IN FOREST MANAGEMENT	0.50	0.12	0.00	99.96
F	31	PROVIDE GUIDANCE IN AUTO MECHANIC TRAINING	0.50	0.12	0.00	99.96
F	8	GUIDE INDIGENOUS PERSONNEL IN TECHNIQUES OF FIRE PREVENTION AND CONTROL	0.50	0.12	0.00	99.96
F	18	PROVIDE GUIDANCE IN DEVELOPING GAS, OIL, OR MINERAL RESOURCES	0.50	0.12	0.00	99.96
F	23	PROVIDE GUIDANCE IN ESTABLISHING ELECTRIC GENERATING OR HYDROELECTRIC FACILITIES	0.50	0.12	0.00	99.96
F	24	PROVIDE GUIDANCE IN ESTABLISHING FAMILY PLANNING CLINICS	0.50	0.12	0.00	99.96
F	25	PROVIDE GUIDANCE IN ESTABLISHING GAS PRODUCTION FACILITIES	0.50	0.12	0.00	99.96
F	37	PROVIDE GUIDANCE IN OPERATING AN INDIGENOUS PUBLIC TRANSPORTATION PROJECT	0.50	0.12	0.00	99.96
F	41	PROVIDE GUIDANCE IN REPAIRING OR MAINTAINING GAS OR ELECTRIC FACILITIES OR CARRIERS	0.50	0.12	0.00	99.97
F	44	PROVIDE GUIDANCE IN SPOTTING FISH FOR FISHING FLEETS	0.50	0.12	0.00	99.97
F	53	PROVIDE GUIDANCE IN THE DESTRUCTION OF LOG JAMS OR OTHER NAVIGATIONAL HAZARDS	0.50	0.12	0.00	99.97
F	60	PROVIDE GUIDANCE IN THE TRANSPORTATION OF RARE METALS OR MINERALS	0.50	0.12	0.00	99.97
F	63	PROVIDE GUIDANCE IN TRANSPORTING SCHOOL CHILDREN	0.50	0.12	0.00	99.97
G	9	APPLY TECHNIQUES OF FOREST MANAGEMENT	0.50	0.12	0.00	99.97
G	23	CARRY OUT AGRARIAN REFORMS	0.50	0.12	0.00	99.97
G	25	CONSTRUCT PORT FACILITIES	0.50	0.12	0.00	99.97
G	29	DESTROY LOG JAMS OR OTHER NAVIGATIONAL HAZARDS	0.50	0.12	0.00	99.97
G	31	DEVELOP OR IMPROVE GROUND TRANSPORTATION FACILITIES	0.50	0.12	0.00	99.97
G	42	ESTABLISH GAS PRODUCTION FACILITIES	0.50	0.12	0.00	99.97
G	43	FIGHT FIRES WITH AIRBORNE EQUIPMENT	0.50	0.12	0.00	99.97
G	56	LOCATE OIL, GAS, METAL, MINERAL, OR OTHER NATURAL RESOURCES	0.50	0.12	0.00	99.97
G	55	OPERATE LOCAL PUBLIC FINANCE PROJECT	0.50	0.12	0.00	99.97
G	66	OPERATE LOCAL PUBLIC SAFETY PROJECT	0.50	0.12	0.00	99.97
G	67	OPERATE LOCAL PUBLIC TRANSPORTATION PROJECT	0.50	0.12	0.00	99.97
G	68	OPERATE LOCAL PUBLIC WELFARE PROJECT	0.50	0.12	0.00	99.97
G	97	REPAIR OR MAINTAIN GAS OR ELECTRIC FACILITIES OR CARRIERS	0.50	0.12	0.00	99.98
M	24	OPERATE TV CAMERAS	0.50	0.12	0.00	99.98
M	25	OPERATE TV TRANSMITTING EQUIPMENT FOR PSYOP	0.50	0.12	0.00	99.98
T	41	OPERATE PRIVATE COUNTERINSURGENCY AGENCIES	0.50	0.12	0.00	99.98
T	58	SALT FOOD-PRODUCING AREAS IN ENEMY TERRITORY	0.50	0.12	0.00	99.98
V	14	FLY GLIDERS IN SUPPORT OF UH	0.50	0.12	0.00	99.98
V	32	SPRAY COLORS ON RIVERS OR OTHER WATERWAYS	0.50	0.12	0.00	99.98
V	33	SPRAY COLORED SMOKE OVER ENEMY TERRAIN	0.50	0.12	0.00	99.98
V	34	SPRAY ENEMY TERRAIN WITH ILLUMINATING OR COLORED PAINTS	0.50	0.12	0.00	99.98

*APPENDIX V. SPECIAL OPERATIONS AIRMAN GROUP JOB DESCRIPTION*

JOB DESCRIPTION FOR AIRMAN IN SPECIAL AIR OPERATIONS AIRMAN JOB INVENTORY  
 AFHRL, PERS RSCH DIV-AFSC  
 LACKLAND AFB, TEX 78236

PRD OCT 68

DUTY JOB DESCRIPTION, CASES= 189, TASKS= 622, DUTIES= 22, MBR= 189  
 KPATH ORDER FROM 1 TO 189 GROUP STAGE= 1

DUTY/TASK TITLE	CUMULATIVE SUM OF AVERAGE PERCENT TIME SPENT BY ALL MEMBERS.....	AVERAGE PERCENT TIME SPENT BY ALL MEMBERS.....	PERCENT OF MEMBERS PERFORMING.....
G PERFORMING CIVIC ACTION OPERATIONS	73.02	36.79	27.86
E INSTRUCTING IN CIVIC ACTION OPERATIONS	58.20	25.56	14.87
A PLANNING AND ORGANIZING CIVIC ACTION OPERATIONS	67.85	17.90	10.89
N MAINTAINING AND OPERATING PSYOP EQUIPMENT	41.27	23.09	9.53
U PERFORMING COUNTERINSURGENCY (COIN) OPERATIONS	41.80	20.64	8.63
C COORDINATING CIVIC ACTION OPERATIONS	46.56	12.10	5.63
V PERFORMING UNCONVENTIONAL WARFARE ACTIVITIES	24.34	22.51	5.48
T INSTRUCTING IN COUNTERINSURGENCY (COIN) OPERATIONS	25.40	17.89	4.54
B DIRECTING AND SUPERVISING CIVIC ACTION OPERATIONS	35.45	10.97	3.89
F PROVIDING GUIDANCE IN PERFORMING CIVIC ACTION OPERATIONS	37.04	7.73	2.86
M PERFORMING PSYCHOLOGICAL OPERATIONS	20.11	10.95	2.20
D EVALUATING CIVIC ACTION OPERATIONS	26.98	8.05	2.17
Q DIRECTING AND SUPERVISING COUNTERINSURGENCY OPERATIONS	6.88	7.48	0.51
I DIRECTING AND SUPERVISING PSYCHOLOGICAL OPERATIONS (PSYCP)	9.52	4.71	0.45
H PLANNING AND ORGANIZING PSYCHOLOGICAL OPERATIONS (PSYOP)	6.35	6.33	0.40
S EVALUATING COUNTERINSURGENCY (COIN) OPERATIONS	5.29	5.20	0.28
P PLANNING AND ORGANIZING COUNTERINSURGENCY OPERATIONS	2.65	6.43	0.17
O USING COMMUNICATIONS MEDIA FOR PSYCHOLOGICAL OPERATIONS	3.17	4.60	0.15
K EVALUATING PSYCHOLOGICAL OPERATIONS (PSYOP)	4.76	3.00	0.14
J COORDINATING PSYCHOLOGICAL OPERATIONS (FSYOP)	3.70	3.48	0.13
R COORDINATING COUNTERINSURGENCY (COIN) OPERATIONS	4.23	2.94	0.12
L INSTRUCTING IN PSYCHOLOGICAL OPERATIONS (PSYOP)	2.65	2.70	0.07

J.B DESCRIPTICA FOR AIRMEN IN SPECIAL AIR OPERATIONS AIRMAN JOB INVENTORY  
 AFHRL,PERS RSCH DIV-AFSC  
 LACKLAND AFB, TEX 78236

PRO OCT,68

TASK JOB DESCRIPTION,CASES= 189,TASKS= 622,DUTIES= 22,MBS= 189  
 XPATH ORDER FROM 1 TO 189 GROUP STAGE= 1

CUMULATIVE SUM OF AVERAGE PERCENT TIME SPENT BY ALL MEMBERS.....  
 AVERAGE PERCENT TIME SPENT BY ALL MEMBERS.....  
 AVERAGE PERCENT TIME SPENT BY MEMBERS PERFORMING.....  
 PERCENT OF MEMBERS PERFORMING.....

D-TSK	DUTY/TASK TITLE				TASK SEQ NO
V 11	PARTICIPATE IN JOINT US TRAINING EXERCISES WITH US ARMY AND US NAVY SPECIAL FORCES	21.69	18.50	4.01	4.01
G 71	PROVIDE AERIAL PHOTOGRAPHY, PHOTO GEOLOGY, PHOTOGRAMMETRY, OR PHOTOINTERPRETATION	7.41	48.14	3.57	7.58
E 9	INSTRUCT INDIGENOUS PERSONNEL IN AIRCRAFT MAINTENANCE AND SERVICING	11.11	26.74	2.97	10.55
U 22	SPEAK NATIVE LANGUAGE	23.81	10.79	2.57	13.12
U 23	TRANSPORT MILITARY SUPPLIES	17.99	12.41	2.23	15.35
E 1	CONDUCT CJT FOR UPGRADING SKILLS OF INDIGENOUS PERSONNEL	22.22	9.38	2.08	17.44
N 20	OPERATE FORK LIFTS	14.29	13.83	1.98	19.41
N 14	OPERATE AERIAL LOUDSPEAKERS	15.34	9.68	1.48	20.90
V 1	MAINTAIN AERIAL OR GROUND LOUDSPEAKER EQUIPMENT	8.99	16.15	1.45	22.35
U 27	WRITE NATIVE LANGUAGE	10.05	14.02	1.41	23.76
N 10	MAINTAIN RADIO TRANSMITTING OR RECEIVING EQUIPMENT	8.99	15.43	1.39	25.15
E 2	CONSTRUCT TRAINING AIDS OR INSTRUCTIONAL EQUIPMENT	16.93	8.02	1.16	26.50
G 101	TRANSPORT MATERIALS FOR CIVIC ACTION PROJECTS	33.86	3.93	1.33	27.84
A 19	PLAN FOR AIRDROP OF SUPPLIES, MEDICINES, OR MAIL	28.57	4.53	1.29	29.13
G 2	AIRCROP SUPPLIES TO INDIGENOUS PERSONNEL	20.11	6.41	1.29	30.42
G 102	TRANSPORT PERSONNEL FOR CIVIC ACTION PROJECTS	29.63	4.04	1.20	31.61
G 57	OPERATE COMMUNICATIONS EQUIPMENT	18.52	6.20	1.15	32.76
C 3	COORDINATE AIRDROPPING OF SUPPLIES	24.87	4.57	1.14	33.90
G 7	APPLY TECHNIQUES OF FIRE PREVENTION AND CONTROL	5.29	20.44	1.08	34.98
A 21	PLAN HOST COUNTRY AIRCRAFT MAINTENANCE AND SERVICING	7.94	12.22	0.97	35.95
G 70	PROCURE AND DELIVER SUPPLIES AND EQUIPMENT	24.87	3.69	0.92	36.87
G 103	USE LEAFLETS OR LOUDSPEAKERS TO PROVIDE DAILY OR WEEKLY INFORMATION, OR TO ANNOUNCE SPECIAL EVENTS	17.99	4.91	0.88	37.75
A 4	ESTIMATE MATERIEL, EQUIPMENT, OR PERSONNEL REQUIREMENTS FOR CIVIC ACTION PROJECTS	24.87	3.33	0.83	38.58
G 52	MAINTAIN COMMUNICATIONS EQUIPMENT	9.52	8.57	0.82	39.40
G 11	ASSEMBLE AND PACK SUPPLIES FOR AIRDROP	17.46	4.66	0.81	40.21
V 10	MAINTAIN COMMUNICATIONS WITH UN FORCES	2.65	30.16	0.80	41.01
G 64	PARTICIPATE IN CIVIC ACTION TEAMS	26.46	3.00	0.79	41.80
F 34	PROVIDE GUIDANCE IN GJT FOR UPGRADING SKILLS OF INDIGENOUS PERSONNEL	8.99	8.52	0.77	42.57
N 24	OPERATE MOTION PICTURE PROJECTORS	6.35	12.06	0.77	43.34
A 18	PLAN FOR AIRCROP OF BUILDING MATERIALS OR TOOLS	19.05	3.65	0.70	44.03
C 20	COORDINATE THE USE OF HELICOPTERS FOR SUPPLY OR MEDICAL EVACUATION	17.46	3.95	0.69	44.72
N 37	PACK LEAFLETS IN FUSED PACKAGES	3.17	21.64	0.69	45.41

U	89	RESCUE INDIGENOUS CIVILIANS	13.23	5.15	0.68	46.09
U	1	ADMINISTER FIRST AID OR RELIEVE DENTAL PAIN	20.11	3.32	0.67	46.76
A	3	ESTABLISH PROCEDURES FOR DISTRIBUTION OF SUPPLIES TO INDIGENOUS PERSONS	20.11	3.08	0.62	47.38
C	18	COORDINATE MEDICAL EVACUATION OF INDIGENOUS CIVILIANS	13.76	4.41	0.61	47.98
A	5	IDENTIFY NEEDED CIVIC ACTION PROJECTS	22.75	2.57	0.58	48.57
U	12	PERFORM INFILTRATION OR EXFILTRATION	9.52	5.99	0.57	49.14
S	38	DROP NEWSPAPERS, MAGAZINES, OR MESSAGES IN REMOTE AREAS	11.11	4.97	0.55	49.69
E	26	INSTRUCT INDIGENOUS PERSONNEL IN THE USE OF RADIO EQUIPMENT OR NAVIGATIONAL AIDS	4.76	11.50	0.55	50.24
M	34	TRANSPORT MATERIALS FOR PSYOP PURPOSES	8.99	6.03	0.54	50.78
G	37	DISTRIBUTE MEDICAL SUPPLIES	21.16	2.56	0.54	51.32
C	7	COORDINATE CIVIC ACTION PLANS AND TRAINING WITH US MILITARY FORCES	12.70	4.26	0.54	51.86
T	22	INSTRUCT LOADMASTERS IN COIN ACTIVITIES	3.70	14.53	0.54	52.40
T	3	INSTRUCT ADMINISTRATIVE PERSONNEL IN COIN ACTIVITIES	1.06	50.31	0.53	52.73
M	35	TRANSPORT PERSONNEL FOR PSYOP PURPOSES	8.99	5.87	0.53	53.46
G	54	OBTAIN SURPLUS, SALVAGEABLE, OR WASTE MATERIALS FOR CIVIC ACTION PROJECTS	19.05	2.55	0.49	53.95
G	99	TRANSPORT LOCAL OFFICIALS	11.64	4.18	0.49	54.44
G	73	PROVIDE EMERGENCY MEDICAL TREATMENT OF CIVIL	19.58	2.47	0.48	54.92
A	35	SURVEY LOCAL NEEDS AND RESOURCES	21.69	2.20	0.48	55.40
F	9	PROVIDE GUIDANCE IN DIGGING WELLS	19.58	2.28	0.45	55.84
T	39	TEACH SAFETY MINIKUMS OF AIRCRAFT USED IN COIN	4.76	9.26	0.44	56.29
E	29	INSTRUCT VILLAGERS IN PERSONAL HEALTH HABITS OR LIVING HABITS	18.52	2.37	0.44	56.72
T	16	INSTRUCT INDIGENOUS PERSONNEL IN PARACHUTE RIGGING AND MAINTENANCE	9.52	4.47	0.43	57.15
G	94	SHOW MOTION PICTURES, SLIDES, OR OTHER AUDIOVISUAL MATERIALS	6.35	6.59	0.42	57.57
B	16	PROVIDE GUIDANCE IN COMMUNITY PROJECTS	12.70	3.18	0.40	57.97
F	20	PROVIDE GUIDANCE IN MEDICAL CARE OF INDIGENOUS CIVILIAN PERSONNEL	13.76	2.88	0.40	58.37
A	10	PLAN AIR TRANSPORT PROJECTS	7.94	4.93	0.39	58.74
U	14	PREPARE WRITTEN STATUS AND PROGRESS REPORTS FOR COUNTRY TEAM	3.17	12.29	0.39	59.15
C	6	COORDINATE CIVIC ACTION PLANS AND TRAINING WITH HOST COUNTRY MILITARY FORCES	13.76	2.81	0.39	59.53
G	66	PREPARE AREA MAPS OR CHARTS	7.94	4.85	0.39	59.92
E	48	PROVIDE TRAINING AIDS OR INSTRUCTIONAL EQUIPMENT	8.99	4.26	0.38	60.30
E	3	DEMONSTRATE COMMON CONSTRUCTION SKILLS TO INDIGENOUS PERSONNEL	12.17	3.12	0.38	60.68
G	90	RESPOND TO REQUESTS FOR CIVIC ACTION PROJECTS	19.05	1.97	0.37	61.06
C	17	COORDINATE MEDICAL AID ACTIVITIES SUCH AS TRANSPORT OF DOCTORS, DENTISTS, NURSES, OR MEDICAL TEAMS	17.46	2.15	0.37	61.43
S	55	OBSERVE AND REPORT TRAFFIC CONDITIONS	3.17	11.79	0.37	61.81
A	24	PLAN MEDICAL PROJECTS	19.58	1.89	0.37	62.18
B	8	MONITOR THE DISTRIBUTION OF SUPPLIES	17.46	2.11	0.37	62.54
E	35	PROVIDE GUIDANCE IN TEACHING LATRINE CONSTRUCTION AND WASTE COVERAGE	16.40	2.21	0.36	62.91
S	33	DIG WATER WELLS	16.40	2.20	0.35	63.27
C	21	COORDINATE THE USE OF HELICOPTERS IN SURVEILLANCE OR TRAFFIC CONTROL	2.65	13.60	0.36	63.63



E	8	INDOCTRINATE PEOPLE ON THE NECESSITY OF MAINTAINING CIVIC ACTION PROGRAMS	15.87	2.27	0.36	63.99
A	23	PLAN LOGISTICAL SUPPORT FOR CIVIC ACTION TEAMS	14.29	2.51	0.36	64.35
F	10	PROVIDE GUIDANCE IN DISEASE PREVENTION, CONTROL, OR ERADICATION	13.23	2.71	0.36	64.70
A	14	PLAN COMMUNICATIONS INSTALLATION OR MAINTENANCE	10.05	3.54	0.36	65.06
G	104	USE USAF VEHICLES TO EVACUATE REFUGEES	8.47	4.10	0.35	65.41
A	34	PROVIDE GUIDANCE IN PLANNING CIVIC ACTION PROJECTS	17.46	1.90	0.33	65.74
G	72	PROVIDE DENTAL EXAMINATIONS FOR SCHOOL CHILDREN	13.23	2.43	0.32	66.06
A	1	DRAFT CIVIC ACTION CHECKLISTS, QUESTIONNAIRES, OR FACT SHEETS	12.70	2.48	0.32	66.38
B	18	SUPERVISE CIVIC ACTION FIELD OPERATIONS	12.70	2.47	0.31	66.69
A	22	PLAN INSTRUCTIONAL FACILITIES	8.99	3.45	0.31	67.00
C	1	CONDUCT BRIEFINGS AND OTHER ACTIVITIES TO GAIN SUPPORT OF CIVIC ACTION	14.81	2.08	0.31	67.31
E	38	PROVIDE GUIDANCE IN TRAINING IN PUBLIC HEALTH AND SANITATION	15.87	1.94	0.31	67.62
G	68	PREPARE REPORTS OF USAF OR INDIGENOUS CIVIC ACTION ACTIVITIES	15.34	1.99	0.31	67.92
G	15	COLLECT AND PROCESS CIVIC ACTION DATA	14.29	2.09	0.30	68.22
T	20	INSTRUCT INTELLIGENCE PERSONNEL IN COIN ACTIVITIES	3.70	8.05	0.30	68.52
T	18	INSTRUCT INDIGENOUS PERSONNEL IN USE OF SPECIAL AIR WARFARE WEAPON SYSTEMS	3.70	7.84	0.29	68.81
E	27	INSTRUCT INDIGENOUS PERSONNEL IN US CIVIC ACTION PURPOSES, GOALS, AND OBJECTIVES	17.46	1.66	0.29	69.10
B	24	SUPERVISE THE ESTABLISHMENT OF PORTABLE WATER SUPPLIES	14.81	1.94	0.29	69.36
E	50	TRAIN INDIGENOUS MEDICAL PERSONNEL IN CIVIC ACTION OPERATIONS	14.29	1.94	0.28	69.66
A	2	DRAFT CIVIC ACTION STANDING OPERATING INSTRUCTIONS (SOIS)	12.17	2.25	0.27	69.94
A	27	PLAN PUBLIC HEALTH PROGRAMS	15.87	1.70	0.27	70.21
D	1	ARRANGE TRIPS TO EVALUATE CIVIC ACTION PROJECTS	14.29	1.88	0.27	70.47
G	93	SET UP MOBILE DISPENSARY UNITS	14.31	1.80	0.27	70.74
A	7	PARTICIPATE IN SELECTING AND ORGANIZING INDIGENOUS CIVIC ACTIVITIES	17.46	1.51	0.26	71.00
G	6	APPLY TECHNIQUES OF DISEASE PREVENTION, CONTROL, OR ERADICATION	13.76	1.91	0.26	71.27
U	19	SET UP COMMUNICATION OR NAVIGATION NETWORK	3.70	7.10	0.26	71.53
E	64	USE AIRCRAFT AS FLYING CLASSROOMS	5.29	4.95	0.26	71.79
G	49	INSTALL PUBLIC ADDRESS SYSTEMS	4.23	6.18	0.26	72.05
E	24	INSTRUCT INDIGENOUS PERSONNEL IN SPORTS	17.46	1.48	0.26	72.31
C	5	COORDINATE CIVIC ACTION ACTIVITIES GENERATED BY INDIVIDUALS	14.81	1.74	0.26	72.57
E	54	TRAIN INDIGENOUS PERSONNEL IN PUBLIC HEALTH AND SANITATION	15.34	1.67	0.26	72.82
G	82	PROVIDE GUIDANCE IN OBTAINING WATER SUPPLIES	11.64	2.18	0.25	73.08
G	14	CLEAR OR DRAIN LAND	3.70	6.79	0.25	73.33
G	67	PREPARE PICTORIAL DISPLAYS ON CIVIC ACTION PROGRAMS	7.94	3.16	0.25	73.58
D	4	EVALUATE CIVIC ACTION PROJECTS	14.29	1.74	0.25	73.83
G	100	TRANSPORT MANUFACTURED COMMODITIES	3.17	7.55	0.24	74.07
I	9	SUPPLY THE MAINTENANCE OF PSYOP EQUIPMENT	1.59	1	0.24	74.31
G	69	PROCESS CIVIC ACTION DATA	9.52	1	0.24	74.54
E	14	INSTRUCT INDIGENOUS PERSONNEL IN ENGLISH	15.34	1.54	0.24	74.78
F	21	PROVIDE GUIDANCE IN MEDICAL EVACUATION OF INDIGENOUS PERSONNEL	11.64	2.02	0.24	75.02
A	17	PLAN DENTAL PROJECTS	12.70	1.83	0.23	75.25

B	1	ARRANGE VISITS OR CONTESTS IN SPORTS	11.64	1.98	0.23	75.48
N	4	MAINTAIN EQUIPMENT OF CAMERA OR PLATEMAKING VANS	1.06	21.43	0.23	75.71
B	20	SUPERVISE MOBILE DISPENSARY UNITS	12.17	1.83	0.22	75.93
V	1	ASSIST GUERRILLAS IN ESCAPE AND EVASION	3.17	6.93	0.22	76.15
A	6	PARTICIPATE IN ORGANIZING INDIGENOUS YOUTH PROGRAMS	14.81	1.47	0.22	76.37
T	5	INSTRUCT AIRCRAFT MAINTENANCE PERSONNEL IN COIN ACTIVITIES	2.12	10.23	0.22	76.58
G	43	GIVE PREVENTIVE DENTISTRY LECTURES	11.11	1.94	0.22	76.80
G	50	INSTALL WIRING FOR COMMUNICATIONS EQUIPMENT	4.76	4.52	0.22	77.01
M	4	COMPUTE DISPERSION PATTERNS FOR AERIAL DELIVERY OF PSYOP MATERIALS	4.76	4.51	0.21	77.23
C	15	COORDINATE CIVIC ACTION WITH US YOUTH ORGANIZATIONS SUCH AS BOY SCOUTS OR 4H	6.88	3.10	0.21	77.44
T	38	TEACH RAPPELLING	3.70	5.75	0.21	77.65
N	13	MAINTAIN STILL OR MOTION PICTURE PROJECTORS AND RELATED EQUIPMENT	0.53	40.00	0.21	77.87
C	2	COORDINATE ACTIVITIES DURING NATURAL DISASTERS SUCH AS FIRES, FLOODS, OR HIGH WINDS	8.47	2.49	0.21	78.08
G	91	REVIEW AIR FORCE CIVIC ACTION PROGRAMS	8.99	2.30	0.21	78.28
G	92	REVIEW CIVIC ACTION PLANS AND ACTIVITY REPORTS	10.05	2.04	0.21	78.49
G	39	ERECT RADIO ANTENNAS	6.88	2.93	0.20	78.69
D	7	EVALUATE DISTRIBUTION OF SUPPLIES BY US PERSONNEL	13.23	1.49	0.20	78.89
B	26	SUPERVISE US CIVIC ACTION TEAMS	11.64	1.70	0.20	79.09
G	35	DISTRIBUTE FOOD AND SUPPLIES	10.05	1.95	0.20	79.28
U	24	USE CUSTOMARY INDIGENOUS GESTURES OF COMMUNICATION	6.35	3.08	0.20	79.48
E	41	PROVIDE GUIDANCE IN TRAINING IN MANUAL SKILLS SUCH AS WOODWORKING	3.17	6.05	0.19	79.67
V	5	DEVELOP AREA STUDIES AND MAINTAIN THEIR CURRENCY	2.12	9.01	0.19	79.86
B	10	PROVIDE GUIDANCE IN CIVIC ACTION DATA COLLECTION AND PROCESSING PROCEDURES	11.64	1.62	0.19	80.05
A	26	PLAN PEST CONTROL PROJECTS	7.94	2.37	0.19	80.24
E	47	PROVIDE TECHNICAL TRAINING TO INDIGENOUS CIVIC ACTION PERSONNEL	8.99	2.09	0.19	80.42
N	33	OPERATE STILL PICTURE CAMERAS FOR PSYOP	2.12	8.85	0.19	80.61
F	43	PROVIDE GUIDANCE IN TRAINING OF MEDICAL PERSONNEL IN CIVIC ACTION OPERATIONS	12.70	1.47	0.19	80.80
T	25	INSTRUCT MUNITIONS PERSONNEL IN COIN ACTIVITIES	2.12	8.78	0.19	80.98
D	14	INSPECT SCHOOLS AND MAKE REPORTS	11.11	1.67	0.19	81.17
H	5	PLAN AERIAL LOUDSPEAKER BROADCASTS	4.23	4.28	0.18	81.35
U	25	USE COMMUNICATIONS CODE TO CONFUSE ENEMY	1.59	11.35	0.18	81.53
G	62	OPERATE PUBLIC ADDRESS SYSTEM	4.76	3.72	0.18	81.71
N	39	PERFORM PREVENTIVE MAINTENANCE ON POWER SUPPLIES	2.65	6.56	0.17	81.88
F	43	PROVIDE GUIDANCE IN THE MAINTENANCE OF COMMUNICATIONS EQUIPMENT	3.70	4.57	0.17	82.05
G	48	INSTALL COMMUNICATIONS CHANNELS OR EQUIPMENT	4.76	3.52	0.17	82.22
G	17	CONSOLIDATE, REVIEW, AND EDIT CIVIC ACTION REPORTS	9.52	1.75	0.17	82.39
B	19	SUPERVISE CIVIC ACTION TRAINING	10.58	1.57	0.17	82.55
B	17	SUPERVISE CIVIC ACTION DATA COLLECTION AND PROCESSING PROCEDURES	10.05	1.62	0.16	82.71
D	2	EVALUATE CIVIC ACTION FIELD DATA	13.23	1.23	0.16	82.88
M	15	PARTICIPATE AS A MEMBER OF A PSYOP ACTION TEAM	3.70	4.39	0.16	83.04
A	8	PLAN AGRICULTURAL PROJECTS	8.47	1.92	0.16	83.20
G	24	CONSTRUCT OR REPAIR SCHOOLS OR SCHOOL EQUIPMENT	11.64	1.37	0.16	83.36
B	5	MONITOR CIVIC ACTION PROJECTS OF INDIGENOUS PERSONNEL	13.23	1.18	0.16	83.52

S	55	TRAIN INDIGENOUS PERSONNEL IN SEWING OR SEWING MACHINE REPAIR	C.53	29.41	0.16	83.67
F	4	DEMONSTRATE COMMUNICATION EQUIPMENT FOR CIVIC ACTION PROJECTS	7.94	1.92	0.15	83.83
D	15	INSPECT TRANSPORTATION FACILITIES AND MAKE REPORTS	4.76	3.19	0.15	83.98
B	3	GUIDE THE DETERMINATION OF PRIORITIES OF LOCAL COMMUNITY NEEDS	12.70	1.19	0.15	84.13
E	37	PROVIDE GUIDANCE IN TRAINING IN LAW ENFORCEMENT AND INTERNAL SECURITY	0.53	28.57	0.15	84.28
C	30	PREPARE CIVIC ACTION INSTRUCTIONAL MATERIAL	10.58	1.42	0.15	84.43
F	1	GUIDE INDIGENOUS PERSONNEL IN TECHNIQUES OF FIRE PREVENTION AND CONTROL	2.12	7.11	0.15	84.58
B	25	SUPERVISE US CIVIC ACTION EXPENDITURES	7.41	2.00	0.15	84.73
T	41	TEACH SURVIVAL TECHNIQUES	3.70	3.99	0.15	84.88
S	1	ANALYZE COUNTERINSURGENCY (COIN) INTELLIGENCE DATA	2.65	5.58	0.15	85.02
D	13	INSPECT MEDICAL FACILITIES AND MAKE REPORTS	11.11	1.32	0.15	85.17
U	9	MAINTAIN RADIO CONTACT WITH GROUND RECONNAISSANCE TEAMS	4.23	3.45	0.15	85.32
A	29	PLAN TRAINING OF INDIGENOUS PERSONNEL IN LAW ENFORCEMENT AND INTERNAL SECURITY	2.12	6.85	0.15	85.46
B	14	PROVIDE GUIDANCE IN ESTABLISHING SUPPORT SERVICES	6.88	2.08	0.14	85.61
D	5	EVALUATE COMMUNITY RESOURCES TO IDENTIFY PROBLEMS OF DEVELOPMENT	13.23	1.08	0.14	85.75
A	12	PLAN BUILDING CONSTRUCTION PROJECTS	11.64	1.22	0.14	85.89
E	45	PROVIDE OJT TO US CIVIC ACTION PERSONNEL	8.99	1.57	0.14	86.03
T	34	TEACH MAP AND COMPASS READING	3.17	4.44	0.14	86.17
A	28	PLAN RECREATIONAL PROJECTS	10.05	1.40	0.14	86.31
D	8	EVALUATE DISTRIBUTION OF US SUPPLIES BY INDIGENOUS PERSONNEL	10.58	1.31	0.14	86.45
D	11	EVALUATE THE ORGANIZATION OF COMBINED US AND HOST COUNTRY CIVIC ACTION ACTIVITIES	7.94	1.74	0.14	86.59
A	13	PLAN CIVIC ACTION DATA COLLECTION OR PROCESSING PROCEDURES	10.05	1.36	0.14	86.73
A	20	PLAN GROUND TRANSPORTATION PROJECTS	8.99	1.52	0.14	86.86
T	14	INSTRUCT INDIGENOUS PERSONNEL IN DAY OR NIGHT LANDING OR DROP ZONE OPERATIONS	4.76	2.83	0.13	87.00
D	3	EVALUATE CIVIC ACTION PLANS	11.11	1.20	0.13	87.13
G	34	DISSEMINATE REPORTS OF CIVIC ACTION RESULTS	8.47	1.57	0.13	87.26
T	1	DETERMINE TRAINING PUBLICATIONS REQUIRED	4.23	3.05	0.13	87.39
Q	15	SUPERVISE TRANSLATION OF TRAINING OR TECHNICAL DOCUMENTS INTO NATIVE LANGUAGE	1.06	12.00	0.13	87.52
A	30	PLAN TRAINING OF INDIGENOUS PERSONNEL IN TEXTILE INDUSTRIAL SKILLS	0.53	23.53	0.12	87.64
E	39	PROVIDE GUIDANCE IN TRAINING IN TEXTILE INDUSTRIAL SKILLS	0.53	23.53	0.12	87.77
E	56	TRAIN INDIGENOUS PERSONNEL IN TEXTILE INDUSTRIAL SKILLS	0.53	23.53	0.12	87.89
C	9	COORDINATE CIVIC ACTION WITH HOST COUNTRY EDUCATIONAL AGENCIES	10.58	1.18	0.12	88.02
N	23	OPERATE MOTION PICTURE OR TV CAMERAS	1.59	7.76	0.12	88.14
D	10	EVALUATE INDIVIDUAL OR COLLECTIVE IMPACT OF CIVIC ACTION PROGRAMS OR PROJECTS	11.64	1.06	0.12	88.26
T	36	TEACH METHODS OF ESCAPE AND EVASION	2.65	4.59	0.12	88.39
G	78	PROVIDE GUIDANCE IN DEVELOPING COMMUNICATIONS	3.17	3.82	0.12	88.51
V	15	SELECT ESCAPE AND EVASION AREAS AND ROUTES	1.59	7.58	0.12	88.63
G	29	DEVELOP FILMS	1.06	11.23	0.12	88.75
B	13	PROVIDE GUIDANCE IN CONSTRUCTING ROADWAYS, WATERWAYS, CR AIRFIELD FACILITIES	8.47	1.40	0.12	88.86

E	15	INSTRUCT INDIGENOUS PERSONNEL IN ESTABLISHING AND CONTROLLING DROP ZONES	6.86	1.72	0.12	88.98	195
U	13	PERFORM PROJECTS REQUESTED BY THE COUNTRY TEAM	3.17	3.73	0.12	89.10	
A	16	PLAN CONSTRUCTION OF ROADWAYS, WATERWAYS, OR AIRFIELD FACILITIES	10.58	1.12	0.12	89.22	
E	21	INSTRUCT INDIGENOUS PERSONNEL IN PARACHUTING	4.23	2.78	0.12	89.34	
E	60	TRAIN LOCAL POPULACE IN MEDICAL SKILLS	8.99	1.25	0.11	89.45	
B	23	SUPERVISE THE ESTABLISHMENT OF HOSPITALS, DISPENSARIES, OR FIRST AID STATIONS	8.99	1.25	0.11	89.56	200
G	85	PROVIDE SOURCES OF TECHNICAL INFORMATION TO CIVIC ACTION PERSONNEL	6.35	1.77	0.11	89.68	
N	30	OPERATE RADIO TRANSMITTING EQUIPMENT FOR PSYOP	3.70	3.02	0.11	89.79	
G	63	PARTICIPATE IN BASE CIVIC ACTION COUNCILS	3.47	1.30	0.11	89.90	
M	9	ERECT RADIO ANTENNAS	2.65	4.04	0.11	90.00	
E	25	INSTRUCT INDIGENOUS PERSONNEL IN THE USE OF AUDIOVISUAL EQUIPMENT	3.70	2.84	0.11	90.11	205
V	8	SUPERVISE COIN TRAINING PROGRAMS	2.12	4.96	0.10	90.21	
N	29	OPERATE RADIO RECEIVING EQUIPMENT FOR PSYOP	3.17	3.30	0.10	90.32	
G	98	TRANSPORT AGRICULTURAL COMMODITIES	2.12	4.92	0.10	90.42	
A	9	PLAN AIR TRAFFIC CONTROL PROCEDURES	4.23	2.44	0.10	90.53	
G	42	FURNISH MATERIALS FOR INDIGENOUS BUILDING CONSTRUCTION	8.47	1.22	0.10	90.63	210
E	40	PROVIDE GUIDANCE IN TRAINING OF DENTAL PERSONNEL IN CIVIC ACTION OPERATIONS	7.94	1.27	0.10	90.73	
E	6	DEMONSTRATE TECHNIQUES OF PEST CONTROL	6.88	1.43	0.10	90.83	
M	32	SELECT RADIO TRANSMISSION SITES	2.12	4.58	0.10	90.93	
E	36	PROVIDE GUIDANCE IN TRAINING INDIGENOUS MILITARY PERSONNEL IN CIVIC ACTION FUNCTIONS	6.35	1.52	0.10	91.02	
B	12	PROVIDE GUIDANCE IN CONSTRUCTING AIRFIELD SUPPORT FACILITIES	2.65	3.63	0.10	91.12	215
U	21	SET UP SPECIAL OPERATIONS COMMUNICATION LINES	3.17	3.02	0.10	91.21	
A	11	PLAN BASIC EDUCATION OR LITERACY PROJECTS	8.99	1.06	0.10	91.31	
F	29	PROVIDE GUIDANCE IN REPAIR OF CIVILIAN AIRPORT RUNWAYS, TAXIWAYS, OR ACCESS ROUTES	1.59	6.00	0.10	91.40	
A	15	PLAN CONSERVATION PROJECTS	6.35	1.50	0.10	91.50	
C	13	COORDINATE CIVIC ACTION WITH RELIGIOUS ORGANIZATIONS	8.47	1.12	0.10	91.59	220
G	10	APPLY TECHNIQUES OF LIVESTOCK MANAGEMENT	3.70	2.51	0.09	91.69	
B	4	GUIDE THE SELECTION OF PERSONNEL FOR INDIGENOUS CIVIC ACTION TEAMS	8.99	1.03	0.09	91.78	
I	7	SUPERVISE INDIGENOUS PERSONNEL SUCH AS TRANSLATORS	5.29	1.74	0.09	91.87	
M	29	REQUISITION EQUIPMENT FOR PSYOP UNITS	1.06	8.68	0.09	91.96	
N	12	MAINTAIN SIGNAL TEST EQUIPMENT	1.59	5.77	0.09	92.06	225
E	7	DEMONSTRATE THE USE OF NATURAL RESOURCES AND COMMON MATERIALS TO INDIGENOUS PERSONNEL	7.94	1.14	0.09	92.15	
M	11	MAINTAIN RECORDER COMPONENTS	2.12	4.27	0.09	92.24	
G	65	PARTICIPATE IN COMMUNITY CIVIC ACTION COUNCILS	6.88	1.29	0.09	92.33	
F	40	PROVIDE GUIDANCE IN THE CONSTRUCTION OF SCHOOLS OR SCHOOL EQUIPMENT	7.94	1.11	0.09	92.41	
T	13	INSTRUCT INDIGENOUS PERSONNEL IN COMBAT CONTROL TEAM TRAINING	2.12	3.92	0.08	92.50	230
D	6	EVALUATE DISTRIBUTION OF HGST COUNTRY SUPPLIES BY INDIGENOUS PERSONNEL	9.52	0.87	0.08	92.58	
Q	6	PROVIDE GUIDANCE IN SUPERVISING COIN TRAINING PROGRAMS	1.06	7.72	0.08	92.66	
M	17	LOAD LANDMINES, LEAFLET BOMBS, OR MORTARS WITH PRINTED MATTER	1.06	7.67	0.08	92.74	

A	31	PLAN V-TERRINARY PROJECTS	7.41	1.07	0.08	92.82	
B	11	PROVIDE GUIDANCE IN CONDUCTING COMMUNITY SURVEYS	7.94	0.99	0.08	92.90	235
T	2	DEVELOP COIN TRAINING CURRICULA FOR HOST COUNTRY	2.65	2.96	0.08	92.98	
U	15	PROVIDE EXPERTISE TO INDIGENOUS COUNTERPART	2.12	3.68	0.08	93.06	
F	11	PROVIDE GUIDANCE IN ESTABLISHING A COMMUNICATIONS NET	3.17	2.42	0.08	93.13	
E	49	TRAIN INDIGENOUS DENTAL PERSONNEL IN CIVIC ACTION OPERATIONS	5.29	1.42	0.08	93.21	
C	11	COORDINATE CIVIC ACTION WITH INDIGENOUS YOUTH ORGANIZATIONS	7.94	0.92	0.07	93.28	240
E	28	INSTRUCT US MILITARY PERSONNEL IN CIVIC ACTION INSTRUCTIONAL TECHNIQUES	6.88	1.06	0.07	93.35	
E	53	TRAIN INDIGENOUS PERSONNEL IN OPERATING COMMUNICATIONS EQUIPMENT	3.70	1.95	0.07	93.43	
C	19	COORDINATE SUCH CIVIC ACTIONS AS LAND FERTILIZATION, SOWING GRAIN, OR CROP DUSTING BY AIR	2.12	3.37	0.07	93.50	
P	1	PLAN ALLOCATION OF PERSONNEL, RESOURCES, OR AIRCRAFT IN AUSTERE ENVIRONMENT	1.06	6.64	0.07	93.57	
N	9	MAINTAIN PSYOP RADIO ANTENNA SYSTEMS	1.59	4.34	0.07	93.64	245
O	8	MAKE RADIO BROADCASTS	1.59	4.30	0.07	93.71	
G	53	OBTAIN READING MATERIALS FOR INDIGENOUS STUDY	6.35	1.05	0.07	93.77	
C	4	APPLY SOIL AND WATER CONSERVATION METHODS	3.70	1.76	0.07	93.84	
E	51	TRAIN INDIGENOUS MILITARY PERSONNEL IN CIVIC ACTION FUNCTIONS	7.41	0.87	0.06	93.90	
F	4	PROVIDE GUIDANCE IN BUILDING AIRSTRIPS	4.76	1.34	0.06	93.97	250
F	3	PROVIDE GUIDANCE IN BRIDGE OR SMALL DAM CONSTRUCTION	5.29	1.19	0.06	94.03	
G	19	CONSTRUCT BRIDGES OR SMALL DAMS	4.76	1.30	0.06	94.09	
C	12	COORDINATE CIVIC ACTION WITH PUBLIC WELFARE AGENCIES	6.35	0.97	0.06	94.15	
U	17	PROVIDE LOGISTICAL SUPPORT TO COIN PERSONNEL	1.59	3.80	0.06	94.21	
T	26	INSTRUCT PHOTOGRAPHERS IN COIN ACTIVITIES	1.59	3.71	0.06	94.27	255
Q	1	DEVELOP COUNTERINSURGENCY (COIN) TRAINING CURRICULA FOR HOST COUNTRY	1.59	3.71	0.06	94.33	
N	19	OPERATE DUPLICATING MACHINES	1.59	3.70	0.06	94.39	
T	17	INSTRUCT INDIGENOUS PERSONNEL IN THE USE OF RADIOTELEPHONE PROCEDURES	2.65	2.17	0.06	94.45	
B	6	MONITOR INDIGENOUS INSPECTION OF RESTAURANTS OR OTHER PUBLIC FACILITIES	3.17	1.80	0.06	94.50	
S	9	EVALUATE INDIGENOUS COIN INTELLIGENCE NETWORK	1.59	3.58	0.06	94.56	260
G	79	PROVIDE GUIDANCE IN DEVELOPING PUBLIC WORKS	4.76	1.18	0.06	94.62	
G	47	INSPECT RESTAURANTS OR OTHER PUBLIC PLACES AND MAKE SANITATION REPORTS	3.17	1.74	0.06	94.67	
E	17	INSTRUCT INDIGENOUS PERSONNEL IN FOOD PREPARATION AND NUTRITION	6.35	0.85	0.05	94.73	
M	4	PLAN AERIAL DISSEMINATION OF PRINTED MATTER	3.17	1.66	0.05	94.78	
A	32	PLAN VOCATIONAL TRAINING PROJECTS	1.59	3.31	0.05	94.83	265
P	3	PLAN COIN TACTICS	2.12	2.43	0.05	94.88	
E	5	DEMONSTRATE TECHNIQUES OF CIVIL ENGINEERING TO INDIGENOUS PERSONNEL	5.82	0.88	0.05	94.93	
F	27	PROVIDE GUIDANCE IN PERFORMING AERIAL INSPECTIONS OF ROADS, PIPELINES, OR UTILITIES	2.12	2.41	0.05	94.98	
F	45	PROVIDE GUIDANCE IN THE PREPARATION OF MAPS AND CHARTS	3.70	1.37	0.05	95.04	
R	6	ESTABLISH RAPPORT WITH INDIGENOUS CIVILIAN POPULATION	3.17	1.57	0.05	95.08	270
V	3	COLLECT COMBAT INTELLIGENCE FOR UNCONVENTIONAL WARFARE PURPOSES	2.12	2.29	0.05	95.13	
B	7	MONITOR MOVEMENT OF REFUGEES	1.59	3.05	0.05	95.16	

Code	Description	2-65	1-79	0-05	95-23
J 2	BROADCAST TO INDIGENOUS POPULATION OVER LOUDSPEAKERS, RADIO, OR TV	2.65	1.79	0.05	95.23
J 16	PROVIDE GUIDANCE IN DEFENDING AGAINST AIRFIELD ATTACKS	1.06	4.40	0.05	95.28
U 26	USE SIGN LANGUAGE FOR SECURITY PURPOSES IN THE JUNGLE	2.65	1.75	0.05	95.32
T 29	TEACH COMPUTATION OF RELEASE POINTS FOR RESUPPLY OR AIRBORNE ASSAULTS	1.59	2.85	0.05	95.37
C 8	COORDINATE CIVIC ACTION WITH CHARITABLE OR RELIEF AGENCIES SUCH AS RED CROSS OR CARE	4.76	0.94	0.04	95.41
G 96	SURVEY AREA RESOURCES	4.23	1.05	0.04	95.46
M 1	APPLY OFFSET OR LITHO PRESS MAKE-READY PROCEDURES	1.06	4.05	0.04	95.50
C 4	COORDINATE AIR SEARCH FOR FOOD SUPPLIES SUCH AS FISH OR GAME	1.59	2.67	0.04	95.54
E 65	USE MODEL VILLAGE FOR TRAINING DEMONSTRATIONS	4.76	0.88	0.04	95.58
Q 13	SUPERVISE THE USE OF METHODS DESIGNED TO OBTAIN COIN INTELLIGENCE FROM PERSONNEL	1.59	2.61	0.04	95.63
F 22	PROVIDE GUIDANCE IN OBSERVING, REPORTING, OR FORECASTING WEATHER CONDITIONS	1.59	2.59	0.04	95.67
J 4	PROVIDE GUIDANCE TO INDIGENOUS FORCES IN CONDUCTING COIN OPERATIONS	1.59	2.59	0.04	95.71
S 8	EVALUATE INDIGENOUS COIN AIR-GROUND COMMUNICATIONS NETWORK	1.06	3.87	0.04	95.75
J 6	COORDINATE PSYOP WITH LATERAL UNITS OR OTHER PSYOP-RELATED ACTIVITIES	1.06	3.86	0.04	95.79
F 24	PROVIDE GUIDANCE IN OPERATING AN INDIGENOUS PUBLIC SAFETY PROJECT	0.53	7.69	0.04	95.83
G 13	BUILD ROADS	4.76	0.85	0.04	95.87
I 3	MONITOR GROUND VEHICLE BROADCASTS BY INDIGENOUS PERSONNEL	1.59	2.54	0.04	95.91
T 42	TEACH TYPES OF LIGHTING OR MARKING USED IN CLANDESTINE OPERATIONS	2.65	1.52	0.04	95.95
G 36	OBSERVE, REPORT, OR FORECAST WEATHER CONDITIONS	1.06	3.79	0.04	95.99
E 63	TRAIN SKILLED INDIGENOUS PERSONNEL IN CIVIC ACTION OPERATIONS	4.76	0.84	0.04	96.03
T 40	TEACH SIGNALS, CONFIGURATIONS, AND METHODS OF IDENTIFICATION USED IN COIN	2.65	1.50	0.04	96.07
E 57	TRAIN INDIGENOUS PERSONNEL IN USE OF COMMUNICATIONS TEAM AND MESSAGE PICKUP METHODS	1.59	2.49	0.04	96.11
B 9	PROVIDE GUIDANCE IN AGRICULTURAL PROJECTS	3.70	1.07	0.04	96.15
M 36	PACK AND CRATE PSYOP EQUIPMENT	1.06	3.72	0.04	96.19
B 21	SUPERVISE SIMULATED CIVIC ACTION TRAINING OPERATIONS	3.17	1.24	0.04	96.23
B 22	SUPERVISE THE ESTABLISHMENT OF DENTAL CLINICS	3.70	1.06	0.04	96.27
F 34	PROVIDE GUIDANCE IN SPRAYING OR SPREADING OF HERBICIDES, INSECTICIDES, OR FERTILIZERS FROM AIRCRAFT	1.59	2.46	0.04	96.31
F 44	PROVIDE GUIDANCE IN THE OPERATION OF PUBLIC ADDRESS SYSTEMS	1.59	2.42	0.04	96.35
G 76	PROVIDE GUIDANCE IN AIR TRAFFIC CONTROL	2.12	1.81	0.04	96.38
M 5	CONSTRUCT FIELD EXPEDIT ANTENNAS	1.59	2.38	0.04	96.42
T 21	INSTRUCT IN UTILIZATION OF COIN EQUIPMENT	2.65	1.40	0.04	96.46
U 1	BROADCAST TO ENEMY OVER LOUDSPEAKERS, RADIO, OR TV	2.12	1.71	0.04	96.49
N 34	OPERATE STILL PICTURE PROJECTORS FOR PSYOP	1.59	2.27	0.04	96.53
N 5	MAINTAIN LITHO PRESS COMPONENTS AND RELATED EQUIPMENT	1.06	3.36	0.04	96.57
F 52	PROVIDE GUIDANCE IN PUBLICATION, PRINTING, OR REPRODUCTION ACTIVITIES	1.59	2.23	0.04	96.60
R 2	COORDINATE COIN ACTIVITIES WITH INDIGENOUS MILITARY FORCES	0.53	6.67	0.04	96.64
R 5	COORDINATE LOGISTICAL SUPPORT WITH INDIGENOUS MILITARY ASSOCIATES	0.53	6.67	0.04	96.67

P	2	PLAY COIN PROJECTS	1.59	2.20	0.03	96.71	310
	16	INSTRUCT INDIGENOUS PERSONNEL IN FISHERY MANAGEMENT	1.06	3.30	0.03	96.74	
S	19	INSTRUCT INDIGENOUS PERSONNEL IN LAND RECLAMATION	1.06	3.25	0.03	96.78	
M	20	PARTICIPATE AS A MEMBER OF A PSYOP SURVEY TEAM	1.59	2.15	0.03	96.81	
F	44	PROVIDE GUIDANCE IN TRAINING VETERINARIANS IN CIVIC ACTION OPERATIONS	4.23	0.80	0.03	96.84	
	2	PROVIDE GUIDANCE IN AGRICULTURAL PROGRAMS	3.17	1.06	0.03	96.88	315
F	42	PROVIDE GUIDANCE IN THE INSTALLATION OF COMMUNICATIONS CHANNELS OR EQUIPMENT	1.59	2.12	0.03	96.91	
	15	EVALUATE PSYOP DELIVERY SYSTEMS	1.59	2.12	0.03	96.95	
	86	REPAIR OR MAINTAIN GAS OR ELECTRIC FACILITIES OR CARRIERS	2.65	1.25	0.03	96.98	
U	11	PARTICIPATE AS A MEMBER OF A MAT	1.06	3.11	0.03	97.01	
F	12	PROVIDE GUIDANCE IN ESTABLISHING BASIC EDUCATION AND LITERACY PROJECTS	3.17	1.03	0.03	97.04	320
N	21	OPERATE GROUND LOUDSPEAKERS	1.59	2.02	0.03	97.08	
U	9	DIRECT AIRCRAFT, ARTILLERY, OR NAVAL GUNFIRE	1.59	2.00	0.03	97.11	
V	16	SELECT TARGETS FOR GUERRILLA COMBAT OPERATIONS	1.06	2.98	0.03	97.14	
E	32	PROVIDE GUIDANCE IN AUTO MECHANIC TRAINING	2.12	1.49	0.03	97.17	
H	2	ORGANIZE FIXED SITE OR MOBILE RADIO TEAMS	1.59	1.98	0.03	97.20	325
Q	2	DIRECT AIR STRIKES FROM GROUND OR AIR	2.12	1.48	0.03	97.23	
F	18	INSTRUCT INDIGENOUS PERSONNEL IN FOREST MANAGEMENT	0.53	5.88	0.03	97.26	
F	22	INSTRUCT INDIGENOUS PERSONNEL IN SCUBA OPERATIONS	0.53	5.88	0.03	97.30	
G	8	APPLY TECHNIQUES OF FISHERY MANAGEMENT	0.53	5.88	0.03	97.33	
G	9	APPLY TECHNIQUES OF FOREST MANAGEMENT	0.53	5.88	0.03	97.36	330
T	19	INSTRUCT INFORMATION SERVICES PERSONNEL IN COIN ACTIVITIES	0.53	5.88	0.03	97.39	
G	21	CONSTRUCT HOMES FOR INDIGENOUS PERSONNEL	2.65	1.17	0.03	97.42	
E	23	INSTRUCT INDIGENOUS PERSONNEL IN SOIL AND WATER CONSERVATION	3.17	0.97	0.03	97.45	
N	25	OPERATE OFFSET OR LITHO PRESSES	1.06	2.89	0.03	97.48	
D	9	EVALUATE HOST COUNTRY EFFORTS TO CARRY OUT AGRARIAN REFORMS	3.70	0.83	0.03	97.51	335
E	13	INSTRUCT INDIGENOUS PERSONNEL IN EMERGENCY RECOVERY SYSTEMS	2.12	1.44	0.03	97.54	
T	15	INSTRUCT INDIGENOUS PERSONNEL IN FORWARD AIR GUIDE TECHNIQUES	2.12	1.42	0.03	97.57	
J	1	CONDUCT BRIEFINGS TO DISSEMINATE PSYOP INTELLIGENCE	1.06	2.81	0.03	97.60	
T	33	TEACH GROUND TACTICS TO US MILITARY PERSONNEL	2.12	1.38	0.03	97.63	
E	59	TRAIN INDIGENOUS VETERINARIANS IN CIVIC ACTION OPERATIONS	3.70	0.78	0.03	97.66	340
G	86	PROVIDE SUPPLIES FOR REFUGEE CENTERS	3.17	0.88	0.03	97.69	
K	7	DEVELOP FILMS	0.53	5.26	0.03	97.72	
U	3	COMPILE MAPS OF INSURGENT BASE CAMPS FROM AERIAL PHOTOS	1.06	2.63	0.03	97.74	
V	26	PROVIDE PSYOP LOGISTICAL SUPPORT	1.59	1.73	0.03	97.77	
M	7	ESTABLISH COMMUNICATION NETWORK BETWEEN GUERRILLA UNITS	1.59	5.06	0.03	97.80	345
G	74	PROVIDE GUIDANCE IN AIRFIELD CONSTRUCTION	4.23	0.63	0.03	97.82	
M	15	INTERVIEW INDIGENOUS PERSONNEL	2.65	1.00	0.03	97.85	
G	22	CONSTRUCT HOSPITALS OR DISPENSARIES	3.70	0.71	0.03	97.88	
N	3	MAINTAIN DUPLICATING EQUIPMENT	0.53	4.85	0.03	97.90	
N	35	OPERATE TV TRANSMITTING EQUIPMENT FOR PSYOP	0.53	4.76	0.03	97.93	350
L	1	CONDUCT PSYOP ORIENTATION TRAINING	1.06	2.29	0.02	97.95	
F	6	PROVIDE GUIDANCE IN CONSTRUCTION HOMES FOR INDIGENOUS PERSONNEL	2.65	0.92	0.02	97.98	
F	35	PROVIDE GUIDANCE IN THE CONSTRUCTION OF HOSPITALS OR DISPENSARIES	2.65	0.91	0.02	98.00	
F	5	PROVIDE GUIDANCE IN BUILDING COMMUNITY STRUCTURES SUCH AS CIVIC CENTERS OR MARKETS	3.17	0.75	0.02	98.02	

Activity	1.06	2.23	0.02	98.05	355
N 31 OPERATE REORDER COMPONENTS SUCH AS RECORDER-REPRODUCER, AUDIOFREQUENCY AMPLIFIER, OR MAGNETIC ERASERS FOR PSYCP	1.06	2.23	0.02	98.05	355
T 31 TEACH GROUND TACTICS TO INDIGENOUS MILITARY PERSONNEL	1.59	1.48	0.02	98.07	
T 6 INSTRUCT AVIONICS PERSONNEL IN COIN ACTIVITIES	0.53	4.41	0.02	98.09	
T 11 INSTRUCT ELECTRONICS PERSONNEL IN COIN ACTIVITIES	0.53	4.41	0.02	98.12	
G 36 DISTRIBUTE INSECTICIDES OR OTHER INSECT CONTROL DEVICES	3.17	0.73	0.02	98.13	360
F 53 PROVIDE GUIDANCE IN WATER OR WASTE PROCESSING	2.65	0.87	0.02	98.14	
E 42 PROVIDE GUIDANCE IN TRAINING OF INDIGENOUS SCHOOL TEACHERS OR ADMINISTRATORS	2.12	1.08	0.02	98.19	
B 2 DIRECT THE CONSTRUCTION OF AIRFIELD SUPPORT FACILITIES	1.59	1.43	0.02	98.21	
I 2 MONITOR AERIAL BROADCASTS BY INDIGENOUS PERSONNEL	1.06	2.14	0.02	98.23	
T 37 TEACH METHODS OF INFILTRATION OR EXFILTRATION OF PERSONNEL OR EQUIPMENT	2.12	1.05	0.02	98.25	
J 9 COORDINATE WITH US ARMY PSYOP	1.06	2.08	0.02	98.28	365
D 12 INSPECT FARMING AREAS AND MAKE REPORTS	3.17	0.68	0.02	98.30	
G 83 PROVIDE GUIDANCE IN SUPPORT OF AGRICULTURAL PROGRAMS	1.59	1.34	0.02	98.32	
F 15 PROVIDE GUIDANCE IN ESTABLISHING OR IMPROVING TRANSPORTATION FACILITIES	1.59	1.34	0.02	98.34	
E 20 INSTRUCT INDIGENOUS PERSONNEL IN LIVESTOCK MANAGEMENT	2.12	0.99	0.02	98.36	
F 8 PROVIDE GUIDANCE IN DEVISING AND INSTALLING EXPEDIENT ANTENNAS	1.59	1.32	0.02	98.38	370
F 31 PROVIDE GUIDANCE IN ROAD CONSTRUCTION	2.12	0.99	0.02	98.40	
G 58 OPERATE LOCAL CIVIC INFORMATION PROJECT	2.65	0.79	0.02	98.42	
M 21 PREPARE PSYOP REPORTS	1.06	1.95	0.02	98.45	
T 24 INSTRUCT MOTOR VEHICLE MAINTENANCE PERSONNEL IN COIN ACTIVITIES	0.53	3.88	0.02	98.47	
I 1 DEVISE LOCAL EXPEDIENT PRINTING METHODS	1.06	1.94	0.02	98.49	375
G 18 CONSTRUCT OR IMPROVE CIVILIAN AIRPORT FACILITIES	1.59	1.29	0.02	98.51	
F 36 PROVIDE GUIDANCE IN THE CONSTRUCTION OF IRRIGATION SYSTEMS	2.65	0.77	0.02	98.53	
G 20 CONSTRUCT FIELD EXPEDIENT ANTENNAS	1.59	1.28	0.02	98.55	
G 12 BUILD COMMUNITY STRUCTURES SUCH AS CIVIC CENTERS OR MARKETS	3.17	0.64	0.02	98.57	
E 10 INSTRUCT INDIGENOUS PERSONNEL IN AIR TRAFFIC CONTROL	1.06	1.91	0.02	98.59	380
O 10 OUTLINE IDEAS FOR LEAFLET CONTENT	1.06	1.86	0.02	98.61	
N 40 PERFORM PREVENTIVE MAINTENANCE ON VARIABLE POWER TRANSFORMERS	0.53	3.70	0.02	96.63	
G 26 CONSTRUCT REFUGEE CAMPS	2.12	0.92	0.02	98.65	
K 2 ANALYZE EFFECTS OF FRIENDLY PROPAGANDA	2.65	0.71	0.02	98.67	
T 10 INSTRUCT COMMUNICATIONS PERSONNEL IN COIN ACTIVITIES	1.06	1.78	0.02	98.68	385
U 4 CONDUCT A COIN SURVEY	1.06	1.76	0.02	98.70	
I 5 MONITOR PSYOP PERFORMANCE IN THE FIELD	1.59	1.17	0.02	98.72	
G 44 HELP INDIGENOUS PERSONNEL TO FIND EMPLOYMENT	2.65	0.68	0.02	98.74	
H 10 PLAN FOR MOVEMENT OF PSYOP UNITS AND EQUIPMENT	1.59	1.11	0.02	98.76	
F 38 PROVIDE GUIDANCE IN THE CONSTRUCTION OF REFUGEE CAMPS	1.59	1.09	0.02	98.77	390
M 2 APPLY STATISTICAL TECHNIQUES TO PSYOP	0.53	3.25	0.02	98.79	
M 23 PREPARE SINGLE AND MULTI-COLORED LAYOUTS	0.53	3.25	0.02	98.81	
O 2 DESIGN LEAFLET FORMATS	0.53	3.25	0.02	98.83	
L 11 PROVIDE GUIDANCE IN TRAINING HOST COUNTRY PSYOP PERSONNEL	0.53	3.17	0.02	98.84	
K 13 EVALUATE PERFORMANCE OF US PSYOP INDIVIDUALS	1.06	1.57	0.02	98.86	395
K 5 COLLECT AND EVALUATE PSYOP FIELD INTELLIGENCE DATA	2.12	0.78	0.02	98.88	
F 16 PROVIDE GUIDANCE IN ESTABLISHING REFUGEE CENTERS	1.59	1.04	0.02	98.89	
F 28 PROVIDE GUIDANCE IN PRODUCING MATERIALS FOR PRESENTATION BY INDIGENOUS CULTURAL TEAMS	1.06	1.55	0.02	98.91	
T 23 INSTRUCT LOGISTICS AND SUPPLY SERVICES PERSONNEL IN COIN ACTIVITIES	1.06	1.54	0.02	98.93	



Code	Description	2.65	0.61	0.02	98.94	400
C 10	COORDINATE CIVIC ACTION WITH INDIGENOUS COMMERCIAL OR BUSINESS ORGANIZATIONS	2.65	0.61	0.02	98.94	400
H 9	PLAN FOR EVALUATION OF PSYOP MATERIALS	1.06	1.49	0.02	98.96	
I 8	SUPERVISE THE COLLECTION, STORAGE, PROCESSING, OR DISSEMINATION OF PSYOP INTELLIGENCE INFORMATION	1.59	0.99	0.02	98.97	
G 15	IDENTIFY WATER SOURCES FOR IRRIGATION	2.65	0.59	0.02	98.99	
G 14	SUPERVISE TRAINING OF INDIGENOUS POLICE FORCE	0.53	2.94	0.02	99.00	405
G 81	PROVIDE GUIDANCE IN FLOOD CONTROL	1.59	0.98	0.02	99.02	
M 1	ORGANIZE FIXED SITE OR MOBILE PRINTING TEAMS	0.53	2.91	0.02	99.04	
J 3	COORDINATE PSYOP TRAINING WITH USAF STAFF ACTIVITIES	0.53	2.88	0.02	99.05	
G 27	CONSTRUCT RELIGIOUS OR CULTURAL BUILDINGS	2.65	0.57	0.02	99.07	
M 3	COLLECT, STORE, PROCESS, OR DISSEMINATE PSYOP INTELLIGENCE INFORMATION	2.12	0.70	0.01	99.08	
G 5	APPLY TECHNIQUES OF CRUP MANAGEMENT	2.12	0.70	0.01	99.10	410
C 16	COORDINATE HOST GOVERNMENT LAW ENFORCEMENT AND INTERNAL SECURITY OPERATIONS	1.59	0.92	0.01	99.11	
E 31	PROVIDE GUIDANCE FOR LITERACY AND BASIC EDUCATION TRAINING TO INDIGENOUS PERSONNEL IN THEIR OWN LANGUAGE	1.59	0.90	0.01	99.12	
J 6	DETERMINE EQUIPMENT REQUIREMENTS FOR MAT OPERATIONS	1.06	1.35	0.01	99.14	
G 32	DEVISE AND INSTALL EXPEDIENT ANTENNAS	0.53	2.68	0.01	99.15	
M 10	IDENTIFY AND INFLUENCE INDIGENOUS KEY COMMUNICATORS, OPINION FORMERS, OR AGITATORS	1.06	1.34	0.01	99.17	415
F 17	PROVIDE GUIDANCE IN ESTABLISHING SUPPORT SERVICES FOR INDIGENOUS AIRFIELDS	0.53	2.67	0.01	99.18	
M 7	PLAN FOR COLLECTION OF WEATHER DATA	0.53	2.67	0.01	99.20	
T 8	INSTRUCT CIVIL ENGINEERS IN COIN ACTIVITIES	0.53	2.67	0.01	99.21	
M 6	PLAN EQUIPMENT REQUIREMENTS AND PROCEDURES FOR PSYOP TEAMS	1.06	1.32	0.01	99.22	
M 13	PLAN LOGISTIC SUPPORT FOR PSYOP CAMPAIGNS OR PROGRAMS	1.06	1.31	0.01	99.24	420
M 18	MONITOR PROPAGANDA BROADCASTS	1.06	1.28	0.01	99.25	
E 46	PROVIDE TECHNICAL ASSISTANCE IN SCHOOL ADMINISTRATION	2.12	0.63	0.01	99.26	
T 43	TRAIN SPECIAL ACTION FORCES	1.59	0.84	0.01	99.28	
F 46	PROVIDE GUIDANCE IN THE SURVEY OF AREA RESOURCES	1.59	0.84	0.01	99.29	
M 31	SCREEN MATERIALS FOR POSSIBLE PSYOP USE	1.06	1.19	0.01	99.30	425
M 36	USE PSYOP COUNTERMEASURES	1.06	1.19	0.01	99.32	
K 3	ANALYZE ENEMY PROPAGANDA TO OBTAIN PSYOP INTELLIGENCE INFORMATION	2.12	0.59	0.01	99.33	
T 35	TEACH MESSAGE PICKUP SYSTEM USED IN COIN	1.06	1.17	0.01	99.34	
M 3	ORGANIZE LITERACY OR GRAPHIC ARTS PSYOP PROGRAMS	0.53	2.32	0.01	99.35	
O 3	DESIGN OR LAY OUT GRAPHIC CONTENT OF PROPAGANDA MATERIAL	0.53	2.32	0.01	99.37	430
F 39	PROVIDE GUIDANCE IN THE CONSTRUCTION OF RELIGIOUS OR CULTURAL BUILDINGS	2.12	0.56	0.01	99.38	
M 14	INTERVIEW DEFECTORS OR REFUGEES	1.59	0.71	0.01	99.39	
G 23	CONSTRUCT IRRIGATION SYSTEMS	2.12	0.53	0.01	99.40	
G 84	PROVIDE SOLUTIONS FOR REFUGEE PROBLEMS	1.59	0.70	0.01	99.41	
E 52	TRAIN INDIGENOUS PERSONNEL IN LAW ENFORCEMENT AND INTERNAL SECURITY	0.53	2.08	0.01	99.42	435
V 8	INTERROGATE INDIGENOUS PERSONNEL IN THEIR NATIVE LANGUAGE	1.06	1.02	0.01	99.43	
L 2	CONDUCT PSYOP UNIT TRAINING	1.06	1.01	0.01	99.44	
A 33	PROVIDE GUIDANCE IN ORGANIZING OR PLANNING PROGRAMS FOR CULTURAL TEAMS	1.06	1.00	0.01	99.45	
G 3	APPLY OFFSET OR LITHO PRESS MAKE-READY PROCEDURES	0.53	1.99	0.01	99.47	
G 51	LOCATE OIL, GAS, METAL, MINERAL, OR OTHER NATURAL RESOURCES	0.53	1.99	0.01	99.48	440
M 12	IMPLEMENT LIAISON PROCEDURES	0.53	1.96	0.01	99.49	

O	4	DEVELOP PSYCP MESSAGES	0.53	1.92	0.01	99.50
C	9	MAKE TAPES FOR PSYOP BROADCASTS	0.53	1.92	0.01	99.51
F	19	PROVIDE GUIDANCE IN LAYING COMMUNICATION LINES BY AIR	0.53	1.89	0.01	99.52
N	6	MAINTAIN OFFSET PRESS COMPONENTS AND RELATED EQUIPMENT	0.53	1.86	0.01	99.53
N	7	MAINTAIN PRINTING VANS AND RELATED COMPONENTS	0.53	1.86	0.01	99.54
J	77	PROVIDE GUIDANCE IN DEVELOPING CIVIL TRANSPORTATION NETWORKS	0.53	1.84	0.01	99.55
J	8	COORDINATE PSYOP WITH NATIONAL AND MILITARY INTELLIGENCE AGENCIES AND STAFFS	1.06	0.91	0.01	99.56
G	40	ESTABLISH ELECTRIC GENERATING OR HYDROELECTRIC FACILITIES	1.59	0.60	0.01	99.57
F	13	PROVIDE GUIDANCE IN ESTABLISHING ELECTRIC GENERATING OR HYDROELECTRIC FACILITIES	1.59	0.59	0.01	99.57
Y	4	DETERMINE AREAS SUITED FOR UW	0.53	1.78	0.01	99.58
F	33	PROVIDE GUIDANCE IN SPRAYING OR SPREADING HERBICIDES, INSECTICIDES, OR FERTILIZERS BY MEANS OF GROUND EQUIPMENT	1.06	0.88	0.01	99.59
H	21	SELECT THEMES FOR PSYOP	1.06	0.82	0.01	99.60
K	1	ANALYZE CAPTURED DOCUMENTS FOR PSYOP INTELLIGENCE INFORMATION	1.06	0.82	0.01	99.61
U	7	DETERMINE THE POLITICAL ATTITUDES OF THE INDIGENOUS POPULATION	1.06	0.82	0.01	99.62
E	11	INSTRUCT INDIGENOUS PERSONNEL IN CROP MANAGEMENT	1.59	0.54	0.01	99.63
K	4	ANALYZE STATEMENTS OF PUBLIC FIGURES, OR POLICY STATEMENTS FOR PSYCP INTELLIGENCE INFORMATION	1.59	0.52	0.01	99.64
S	6	EVALUATE INDIGENOUS COIN AERODROME FACILITIES	1.06	0.78	0.01	99.64
O	14	SELECT THEMES AND SYMBOLS FOR PROPAGANDA	1.06	0.77	0.01	99.65
G	46	IMPLEMENT SEVERE WEATHER OR NATURAL DISASTER WARNING AND EMERGENCY PROCEDURES	1.06	0.75	0.01	99.66
M	16	INTERVIEW US ESCAPEES OR FORMER PRISONERS	1.06	0.74	0.01	99.67
H	11	PLAN GROUND DISSEMINATION OF PRINTED MATTER	1.06	0.72	0.01	99.68
H	15	PLAN PSYOP COUNTERMEASURES	1.06	0.71	0.01	99.68
N	16	OPERATE CAMERA AND PLATEMAKING VANS	0.53	1.39	0.01	99.69
N	17	OPERATE COMPOSING MACHINES	0.53	1.39	0.01	99.70
N	26	OPERATE PHOTOLITHOGRAPHY EQUIPMENT	0.53	1.39	0.01	99.71
N	28	OPERATE PSYOP PRINTING, EDITORIAL, OR PRESS VANS	0.53	1.39	0.01	99.71
J	2	CONDUCT CONFERENCES AND MEETINGS ON PSYOP	0.53	1.20	0.01	99.72
F	47	PROVIDE GUIDANCE IN THE SUEVING OF CROP CONDITIONS	1.06	0.56	0.01	99.73
E	58	TRAIN INDIGENOUS SCHOOL TEACHERS OR ADMINISTRATORS	1.06	0.55	0.01	99.73
M	13	INTERROGATE FOREIGN PRISONERS	0.53	1.08	0.01	99.74
H	8	PLAN FOR COLLECTION, STORAGE, OR PROCESSING OF PSYOP INFORMATION	0.53	1.07	0.01	99.74
V	2	ASSIST GUERRILLAS IN SETTING UP AMBUSHES	0.53	1.07	0.01	99.75
U	5	CONDUCT CLANDESTINE RECONNAISSANCE	1.06	0.51	0.01	99.75
S	2	ANALYZE REACTIONS OF INDIGENOUS INDIVIDUALS OR GROUPS	0.53	1.00	0.01	99.76
L	9	INSTRUCT PRISONERS, JEFACTORS, OR REFUGEES FOR PSYOP	1.06	0.49	0.01	99.76
K	9	EVALUATE ENERGY COUNTERS TO PSYOP	1.06	0.49	0.01	99.77
F	26	PROVIDE GUIDANCE IN OPERATING AN INDIGENOUS PUBLIC WELFARE PROJECT	1.06	0.48	0.01	99.77
F	32	PROVIDE GUIDANCE IN SPOTTING FISH FOR FISHING FLEETS	0.53	0.94	0.00	99.78
L	4	DEVELOP OR REVISE PSYOP TRAINING LITERATURE	0.53	0.93	0.00	99.78
M	15	DEVELOP COUNTERPROPAGANDA	0.53	0.93	0.00	99.79
N	16	OPERATE AUDIOVISUAL MOBILE UNITS	0.53	0.93	0.00	99.79
N	27	OPERATE PROCESS CAMERAS	0.53	0.93	0.00	99.80
P	5	PLAN INFILTRATION OR EXFILTRATION OF AGENTS IN INSURGENT AREAS WITH HOST COUNTRY PERSONNEL	0.53	0.93	0.00	99.80

		1.59	0.30	0.00	99.81	485
C	95	SPRAY OR SPREAD HERBICIDES, INSECTICIDES, OR FERTILIZERS USING GROUND EQUIPMENT				
A	25	PLAN METEOROLOGICAL FACILITIES	0.53	0.88	0.00	99.81
B	15	PROVIDE GUIDANCE IN ESTABLISHING WEATHER NETWORKS	0.53	0.88	0.00	99.87
E	33	PROVIDE GUIDANCE IN METEOROLOGICAL TRAINING	0.53	0.88	0.00	99.87
E	61	TRAIN LOCAL POPULACE IN METEOROLOGY	0.53	0.88	0.00	99.87
F	7	PROVIDE GUIDANCE IN CONSTRUCTING OR IMPROVING CIVILIAN AIRPORT FACILITIES	0.53	0.88	0.00	99.87
F	4	INSTRUCT AIRCRAFT CONTROL PERSONNEL IN COIN ACTIVITIES	0.53	0.88	0.00	99.84
G	61	OPERATE LOCAL PUBLIC WELFARE PROJECT	1.06	0.41	0.00	99.85
K	8	EVALUATE EFFECTS OF US PROPAGANDA	1.06	0.39	0.30	99.85
G	97	SURVEY CROP CONDITIONS	0.53	0.77	0.00	99.85
G	7	SET UP SYSTEMS TO MAKE CONTACT WITH INDIGENOUS PEOPLE	0.53	0.77	0.00	99.86
R		COORDINATE INFILTRATION OR EXFILTRATION OF AGENTS IN INSURGENT AREAS WITH MOST COUNTRY PERSONNEL	1.06	0.38	0.00	99.86
C	14	COORDINATE CIVIC ACTION WITH US COMMERCIAL OR BUSINESS ORGANIZATIONS				
H	14	PLAN PROPAGANDA PRODUCTION AND DISSEMINATION	0.53	0.71	0.00	99.87
M	11	IDENTIFY PSYOP TARGET AREAS OR POPULATIONS	0.53	0.71	0.00	99.87
P	4	PLAN DISPERSAL OF MINES OR BOoby TRAPS IN INSURGENT AREAS	0.53	0.70	0.00	99.87
E	62	TRAIN LOCAL POPULACE IN NATIONAL DISASTER AND EMERGENCY PROCEDURES	0.53	0.70	0.00	99.88
L	7	PROVIDE FORMAL UPGRADE TRAINING FOR PSYOP PERSONNEL	0.53	0.70	0.00	99.88
M	4	PREPARE REQUISITIONS FOR PROPAGANDA MEDIA	0.53	0.70	0.00	99.88
H	27	PROVIDE ESTIMATES FOR PROPAGANDA MATERIALS	0.53	0.70	0.00	99.89
M	27	WARN INDIGENOUS CIVILIANS OF AIR RAIDS	0.53	0.70	0.00	99.89
T	27	INSTRUCT TRANSPORTATION PERSONNEL IN COIN ACTIVITIES	0.53	0.70	0.00	99.90
V	9	INTERROGATE PRISONERS OF WAR IN THEIR NATIVE LANGUAGE	0.53	0.70	0.00	99.90
G	31	DEVELOP OR IMPROVE GROUND TRANSPORTATION FACILITIES	0.53	0.65	0.00	99.90
J	7	COORDINATE PSYOP WITH LOCAL CIVILIAN, OR GOVERNMENTAL AGENCIES	0.53	0.65	0.00	99.91
U	10	OPERATE ON-SITE US COUNTERINSURGENCY AGENCY	0.53	0.65	0.00	99.91
G	30	DEVELOP LOCAL COTTAGE INDUSTRIES	0.53	0.64	0.00	99.91
K	10	EVALUATE LITERACY OF PSYOP TARGETS	0.53	0.62	0.00	99.92
K	19	EXAMINE ENEMY MATERIEL SUCH AS ORDNANCE OR MEDICAL ITEMS FOR PSYOP INTELLIGENCE INFORMATION	0.53	0.62	0.00	99.92
K	21	PERFORM QUALITATIVE ANALYSES OF ENEMY PROPAGANDA	0.53	0.62	0.00	99.92
K	26	PRE-TEST PROPAGANDA MATERIALS	0.53	0.62	0.00	99.93
L	8	EVALUATE PSYOP INSTRUCTORS	0.53	0.62	0.00	99.93
Q	11	SUPERVISE PHYSICAL PROTECTION AGAINST INSURGENT PENETRATION SUCH AS CONSTRUCTION OF BARBED WIRE OR ELECTRONIC BARRIERS	0.53	0.62	0.00	99.93
S	4	EVALUATE COIN OPERATIONS OF INDIGENOUS AIR FORCE	0.53	0.62	0.00	99.94
S	5	EVALUATE EFFECT OF US CIVILIAN UNITS ON INDIGENOUS COIN OPERATIONS	0.53	0.62	0.00	99.94
S	7	EVALUATE INDIGENOUS COIN AIR BASE SECURITY	0.53	0.62	0.00	99.94
S	12	EVALUATE INTERSERVICE COOPERATION IN PLANNING AND PERFORMING COIN OPERATIONS AND PROGRAMS	0.53	0.62	0.00	99.95
S	13	EVALUATE USAF COIN PROGRAMS AND TRAINING	0.53	0.62	0.00	99.95
G	59	OPERATE LOCAL PUBLIC SAFETY PROJECT	0.53	0.56	0.00	99.95
F	51	PROVIDE GUIDANCE IN TRANSPORTING SCHOOL CHILDREN FROM INSURGENT AREAS	0.53	0.49	0.00	99.95
Q	10	SUPERVISE MOVEMENT AND RESETTLEMENT OF CIVILIANS FROM INSURGENT AREAS	0.53	0.49	0.00	99.96
G	87	REPAIR, MAINTAIN, OR EXTEND CIVILIAN AIRPORT RUNWAYS, TAXIWAYS, OR ACCESS ROADS	0.53	0.48	0.00	99.96

	GRPO01	PAGE	14	
K 14	EVALUATE PSYOP COURSE CONTENT MATERIALS			
K 16	EVALUATE PSYOP PLANS	0.53	0.46	0.00
L 7	EVALUATE PSYOP COURSE CONTENT	0.53	0.46	0.00
P 6	PLAN PHYSICAL PROTECTION AGAINST INSURGENT PENETRATION SUCH AS BARBED WIRE OR ELECTRONIC BARRIERS	0.53	0.46	0.00
P 8	PLAN THE USE OF WEATHER PERSONNEL AS COIN AGENTS	0.53	0.46	0.00
Q 3	PROVIDE GUIDANCE IN DEFENDING AGAINST AIRFIELD ATTACKS	0.53	0.46	0.00
T 30	TEACH GROUND TACTICS TO INDIGENOUS CIVILIAN PERSONNEL	0.53	0.42	0.00
G 41	ESTABLISH GAS PRODUCTION FACILITIES	0.53	0.36	0.00
G 40	OPERATE LOCAL PUBLIC TRANSPORTATION PROJECT	0.53	0.31	0.00
F 41	PROVIDE GUIDANCE IN THE DESTRUCTION OF LOG JAMS OR OTHER NAVIGATIONAL HAZARDS	0.53	0.31	0.00
G 28	DESTROY LOG JAMS OR OTHER NAVIGATIONAL HAZARDS	0.53	0.31	0.00
J 10	COORDINATE WITH US NAVY OR US MARINE CORPS PSYOP	0.53	0.31	0.00
M 25	PROVIDE GUIDANCE IN CONDUCTING HOST COUNTRY PSYOP CAMPAIGNS	0.53	0.31	0.00

530

535