

UNCLASSIFIED

AD NUMBER

AD856914

LIMITATION CHANGES

TO:

Approved for public release; distribution is unlimited.

FROM:

Distribution authorized to U.S. Gov't. agencies and their contractors;
Administrative/Operational Use; 07 AUG 1969.
Other requests shall be referred to Assistant Chief of Staff for Force Development, Department of the Army, Washington, DC 20310.

AUTHORITY

AGO ltr, 29 Oct 1980

THIS PAGE IS UNCLASSIFIED

THIS REPORT HAS BEEN DELIMITED
AND CLEARED FOR PUBLIC RELEASE
UNDER DOD DIRECTIVE 5200.20 AND
NO RESTRICTIONS ARE IMPOSED UPON
ITS USE AND DISCLOSURE.

DISTRIBUTION STATEMENT A

APPROVED FOR PUBLIC RELEASE;
DISTRIBUTION UNLIMITED.



FOR OFFICIAL USE ONLY

DEPARTMENT OF THE ARMY
OFFICE OF THE ADJUTANT GENERAL
WASHINGTON, D.C. 20310

AGAM-P (M) (1 Aug 69) FOR OT UT 692177

7 August 1969

SUBJECT: Operational Report - Lessons Learned, Headquarters, 34th General Support Group, Period Ending 30 April 1969

SEE DISTRIBUTION

AD856914

1. Subject report is forwarded for review and evaluation in accordance with paragraph 5b, AR 525-15. Evaluations and corrective actions should be reported to ACSFOR OT UT, Operational Reports Branch, within 90 days of receipt of covering letter.
2. Information contained in this report is provided to insure appropriate benefits in the future from lessons learned during current operations and may be adapted for use in developing training material

BY ORDER OF THE SECRETARY OF THE ARMY:

KENNETH G. WICKHAM
Major General, USA
The Adjutant General

1 Incl
as

DISTRIBUTION:

Commanding Generals

- US Continental Army Command
- US Army Combat Developments Command

Commandants

- US Army War College
- US Army Command and General Staff College
- US Army Ordnance School
- US Army Quartermaster School
- US Army Signal School
- US Army Southeastern Signal School
- US Army Transportation School



Copies furnished:
Office, Chief of Staff, US Army
Deputy Chiefs of Staff
Chief of Research and Development
Assistant Chiefs of Staff
Chief of Engineers

UNCLASSIFIED REPORT
DISTRIBUTION NO FOREIGN WITHOUT APPROVAL OF
ASSISTANT CHIEF OF STAFF FOR FORCE DEVELOPMENT
(ARMY) ATTN FOR OT UT, WASHINGTON, D.C. 20310

Protective marking cancelled when separated from inclosure.

FOR OFFICIAL USE ONLY

11

FOR OFFICIAL USE ONLY

DEPARTMENT OF THE ARMY
HEADQUARTERS, 34TH GENERAL SUPPORT GROUP (AM&S)
APO 96309

AVGF-BB

SUBJECT: Operational Report of Headquarters, 34th General Support Group
for Period Ending 30 April 1969, RCS CSFOR-65 (RI)

THRU: Commanding General
United States Army, Vietnam
APO 96375

TO: Assistant Chief of Staff for Force Development
Department of The Army
Washington, D.C. 20310

1. Section 1, Operations: Significant Activities

a. (U) MISSION: Provide Army Aircraft maintenance and supply support (aircraft repair parts, avionics and aircraft armament) to United States and other Free World Military Assistance Forces within Southeast Asia.

b. (U) OPERATIONS: During this period the unit engaged in 89 days of combat service operations. Enemy-initiated activity was light and sporadic which allowed all elements of the command to further improve and strengthen defensive positions, replenish aircraft repair parts, and improve aircraft maintenance services for supported combat units. Particular attention was directed toward purifying stock record accounts by identifying and turn-in of excesses. Retrograde of unserviceable repairable components and end item aircraft continued at a record rate. Maximum effort was directed toward recovering, repairing and returning to stock a majority of the TARP (Theatre Aircraft Repairable Program) components on the current listing. New and rebuilt aircraft arriving in-country were moved swiftly through the five aircraft processing points at Da Nang, Qui Nhon, Dong Ba Thin, Vung Tau and Tan Son Nhut.

c. (U) TRAINING: As of 30 April 1969, the following number of students graduated from the Army Aviation Refresher Training School during FY 69:

FOR OTUT

692177

Inclosure

FOR OFFICIAL USE ONLY

Cancellation date of protective marking,
1 FOR OFFICIAL USE ONLY cannot be
predetermined, but will not be later
than 30 April 1972.

FOR OFFICIAL USE ONLY

AVGF-BB

SUBJECT: Operational Report of Headquarters, 34th General Support Group
for Period Ending 30 April 1969, RCS CSFOR-65 (RI)

CLASS & LENGTH

CH-47 Airframe (3 Weeks)	226
OH-6A Airframe (2 Weeks)	426
UH-1B, C Airframe (2 Weeks)	179
UH-1D, H Airframe (2 Weeks)	370
AH-1G Airframe (2 Weeks)	168
T53-L-11 Engine (2 Weeks)	282
T53-L-13 Engine (2 Weeks)	342
T55 Engine (2 Weeks)	211
T63 Engine (1 Week)	272
Armament Course (1 Week)	264
Avionics:	
AH-1G Helicopter Stability Control Augmentation System	86
Standard Lightweight Avionics Equipment	<u>75</u>
TOTAL	2851

d. (U) ORGANIZATION: There have been no changes in organization during this report period. The 34th General Support Group (AM&S) organizational structure on 30 April 1969 is shown at Inclosure 1.

e. (FOUO) STRENGTH:

(1) The personnel strength of the Group on 30 April 1969 was:

	<u>OFFICER</u>	<u>WARRANT OFFICER</u>	<u>ENLISTED</u>
*Authorized	242	128	4476
Assigned	227	131	4438

*Strength figures exclude the 1st Transportation Battalion (Depot) (Seaborne) which is attached for operational control only.

FOR OFFICIAL USE ONLY

AVGF-BB

SUBJECT: Operational Report of Headquarters, 34th General Support Group
for Period Ending 30 April 1969, RCS CSFOR-65 (RI)

(2) A civilian contract maintenance augmentation of 1,968 personnel is provided with Dyna-Electron Incorporated, Lockheed Aircraft Corporation and Lear-Siegler Incorporated. These personnel are attached to each DS, GS and AVFL Company. Additionally, a complement of fifty eight (58) Department of The Army civilian personnel and one-hundred and sixty (160) Field Service Representative rendered technical assistance to both organizational and DS/GS units throughout RVN.

f. (U) INFORMATION BRIEFINGS: During the period 1 February 1969 thru 30 April 1969, information briefings were presented by the 34th General Support Group to the following distinguished visitors:

<u>DATE</u>	<u>N.IME</u>	<u>POSITION</u>
7 Feb	COL George Royal COL W. Dyer	9th Log Command
9 Feb	GEN Ralph E. Haines Jr. COL Charles C. Underwood LTC Richard Harris CSM William C. Bainbridge	CG, USARPAC IO, USARPAC Executive to Gen Haines CSM USARPAC
10 Feb	LTC J. J. Morris	CO, 58th Trans Bn
11 Feb	BG Frank Mezar	JDC, 1st Cav
19 Feb	Mr. Ronald L. King	Site Supervisor, GAO
21 Feb	COL Morgan C. Light	Flat Top Proj Manager
25 Feb	COL Willard Young LTC Johnson	DCS, G-4 USRV
5 Mar	COL S. Tesko COL Homer Smith	Chief Supply Div, ACoFS, G4, USARV ACS, Comptroller, 1st Log Cmd
6 Mar	Mr. Carl L. Larsen Jr.	US Army Audit Agency
10 Mar	MG Delk M. Oden	CG, USARPAC, Ft Rucker

FOR OFFICIAL USE ONLY

AVGF-BB

SUBJECT: Operational Report of Headquarters, 34th General Support Group
for the Period Ending 30 April 1969, RCS CSFOR-65 (RI)

<u>DATE</u>	<u>NAME</u>	<u>POSITION</u>
14 Mar	Mr. W. J. Cleary GS-15	OMA Budget Analyst OSD
	Mr. C. A. Olson GS-15	OMA Budget Supervisor OCA
	COL Charles J. Anderson	Dep Comptroller, US/RPAC
	LTC Leslie L. Makumura	OMA Budget Analyst OCA
	LTC W. J. Connolly	ACofS Comptroller, US.RV
17 Mar	LTC B. Scott	US/RV, IG
	LTC M. Peterson	"
	LTC W. Harty	"
	MJ Veatch	"
	CWO3 W. Eby plus seven team members	"
23 Mar	MG R. C. Conroy	J-4, MACV
	COL A. L. Newton	Deputy Avn Off, US.RV
	COL John Bennett	MACV J-4,5
	COL Paul Swanson	CO, 48th HQ FP
	COL J. C. Geary	CO, ACTIV
24 Mar	COL A.C. Miller III (Retired)	Asst Chief Adv P1, Sikorsky Div United Aircraft Corp
7 Apr	Mr. Louis A. Morgan	Vertol CH-47 Supply/Maint Assist Team
	Burnett, Gerald M.	"
	Garner, Raymond L.	"
	Stack, Richard	"
	McLaughlin, James	"

FOR OFFICIAL USE ONLY

AVGF-BB

SUBJECT: Operational Report of Headquarters, 34th General Support Group
for Period Ending 30 April 1969, RCS CSFOR-65 (RI)

<u>DATE</u>	<u>NAME</u>	<u>POSITION</u>
12 Apr	MG John W. Kaine	CG, 77th ARCOM
	MAJ Brannon	77th ARCOM
	MAJ Ross	"
16 Apr	BG A. M. Burdett	USARV AVN Officer
21 Apr	VNAF Officers	VNAF
	UH-1H Conv Program	
22 Apr	COL Hales	G-4, USARV
24 Apr	BG T. Rienzi	CG, 1st Sig Bde
28 Apr	MG G. L. Mabry	ACofS, USARV
	BG. A. M. Burdett	CG, 1st Avn Bde
4 May	Mr. Joseph P. Cribbins	Sp Asst for Log Supt AA
	COL George Handley	Deputy Avn Officer, USARV

2. Section 2. Lessons Learned: Commander's Observations, Evaluations and Recommendations.

- a. PERSONNEL. NONE
- b. OPERATIONS. NONE
- c. TRAINING. NONE
- d. INTELLIGENCE. NONE
- e. LOGISTICS:

(1) NCR 500 mechanized stock record accounting system.

(a) OBSERVATION: When the programs for the NCR 500 Mechanized Stock Record Accounting System are run on a daily basis and in a standard sequence, more accurate stock record accounting and management results.

FOR OFFICIAL USE ONLY

AVGF-BB

SUBJECT: Operational Report of Headquarters, 34th General Support Group for Period Ending 30 April 1969, RCS CSFOR-65 (RI)

(b) EVALUATION: During visits to DSU's it was noted that failure to run a standard program sequence on a daily basis resulted in less accurate stock record accounting and less economical use of ADPS equipment and personnel. A standard program sequence was developed, tested, and is in use in all 34th Gp DSU's. Preliminary results of this standardized program show a marked improvement in accuracy and more economical use of ADPS personnel and equipment.

(c) RECOMMENDATION: That units having NCR 500 Mechanized Stock Record Accounting Equipment develop and institute a standard program sequence suited to their needs.

(2) Supply Quick Reaction Assistance Team:

(a) OBSERVATION: A Quick Reaction Assistance Team skilled in identifying, packing and shipping fringe excess items has been extremely helpful to the 34th Gp.

(b) EVALUATION: At the request of 34th GSG, AVSCOM dispatched a highly skilled supply assistance team to identify, pack and ship fringe excess existing in the depots. This team very effectively and economically processed the excess over a relatively short period of time resulting in clearing needed warehouse space and return fringe assets to the supply system.

(c) RECOMMENDATION: NONE

(3) Calibration and Repair of Metrology Equipment:

(a) OBSERVATION: Calibration and repair of Metrology equipment is difficult within the 34th GSG because no one single Army agency handles both these functions.

(b) EVALUATION: The 34th GSG receives calibration services for metrology equipment from the U.S. Army Calibration Agency and maintenance and repair services from Army direct and general support maintenance activities. The requirement to ship equipment between the two activities is costly in both time and transportation. As a result the 34th Group has initiated an Interservice Support Agreement with the Air Force which provides both repair and calibration services for metrology equipment. This one-stop concept results in the expeditious calibration, repair and return to the user of this much needed equipment.

(c) RECOMMENDATION: Appropriate action should be taken at the DA level to provide the US Army Calibration Agency with the capability to perform maintenance as well as calibration services on metrology equipment.

FOR OFFICIAL USE ONLY

AVGF-BB

SUBJECT: Operational Report of Headquarters, 34th General Support Group
for Period Ending 30 April 1969, RCS CSFOR-65 (RI)

(4) Repair and Return to User Program for avionics equipment:

(a) OBSERVATION: The USAMC sponsored Repair and Return to User program has been of great value to the avionics logistics support program in the 34th GSG.

(b) EVALUATION: The U.S. Army Materiel Command has instituted a program to repair in CONUS selected avionics equipment on a return to user basis. The present program includes intensively managed avionics components and high failure rate items which cannot be adequately supported in Vietnam. This program has significantly reduced turn around time for repair, and density of theater stock. The reduced workload resulting from this program has allowed the Avionics Companies to devote more time to servicing operating avionics systems and thus improve the operational readiness of aircraft in country.

(c) RECOMMENDATION: That the Repair and Return to User Program be expanded to include repair of common avionics equipment. This action would further reduce in country maintenance and support requirements and provide a more responsible support program for operational aircraft.

(5) Substitution of MIL-L-23699 oil for MIL-L-7808 for Army aircraft.

(a) OBSERVATION: Considerable confusion has been caused by the piecemeal integration of MIL-L-23699 oil into the field.

(b) EVALUATION: MIL-L-23699 oil was issued to the field as a substitute for MIL-L-7808 prior to its qualification in all intended aircraft components. This caused considerable confusion in the field as to what oil to use in a given component at a given point in time. Initial guidance to the field indicated that the two oils were not interchangeable.

(c) RECOMMENDATION: That all new lubricants be completely qualified for field use and maintenance manuals appropriately changed prior to release for field use.

1 Incl
as

E. Landry LTC
ALTON G. POST
Colonel, TC PCofA
Commanding

AVHGC-DST (30 April 1969) 1st Ind
SUBJECT: Operational Report of Headquarters, 34th General Support Group
for Period Ending 30 April 1969, RCS CSFOR-65 (R1)

HEADQUARTERS, UNITED STATES ARMY, VIETNAM, APO San Francisco 96375 24 JUN 1969

TO: Commander in Chief, United States Army, Pacific, ATTN: GOPP-DT,
APO 96558

Assistant Chief of Staff for Force Development, Department of the
Army, Washington, D.C. 20310

1. This headquarters has reviewed the Operational Report-Lessons Learned for the quarterly period ending 30 April 1969 from Headquarters, 34th General Support Group (AM&S).

2. Comments follow:

a. Reference item concerning NCR 500 Mechanized Stock Record Accounting System, section II, page 5, paragraph e(1); nonconcur. Units should not establish their own program sequences. They should follow the standard sequence recommended by the US Army Computer System Command (formerly Automatic Data Field Systems Command (ADFSC)). By following the recommended sequence, units will insure that stock accounting records are posted properly. Reference: ADFSC Letter 7 November 1968, subject: NCR 500 Program Sequence. Unit will be advised.

b. Reference item concerning Substitution of MIL-L-23699 Oil for MIL-L-7808 for Army Aircraft, section II, page 7, paragraph e(5); concur. USAF Letter, subject; Use of MIL-L-7808 and MIL-L-23699, dated 3 May 1969, clarified the use and substitution of these oils for Army aircraft.

FOR THE COMMANDER:



A.R. GUENTHER
CPT. AGC
ASST. ADJUTANT GENERAL

Cy furn:
34th GSG

GPOP-DT (30 Apr 69) 2d Ind

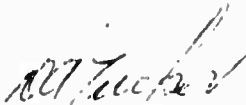
SUBJECT: Operational Report of HQ, 34th General Support Group for
Period Ending 30 April 1969, RCS CSFOR-65 (R1)

HQ, US Army, Pacific, APO San Francisco 96558 19 JUL 69

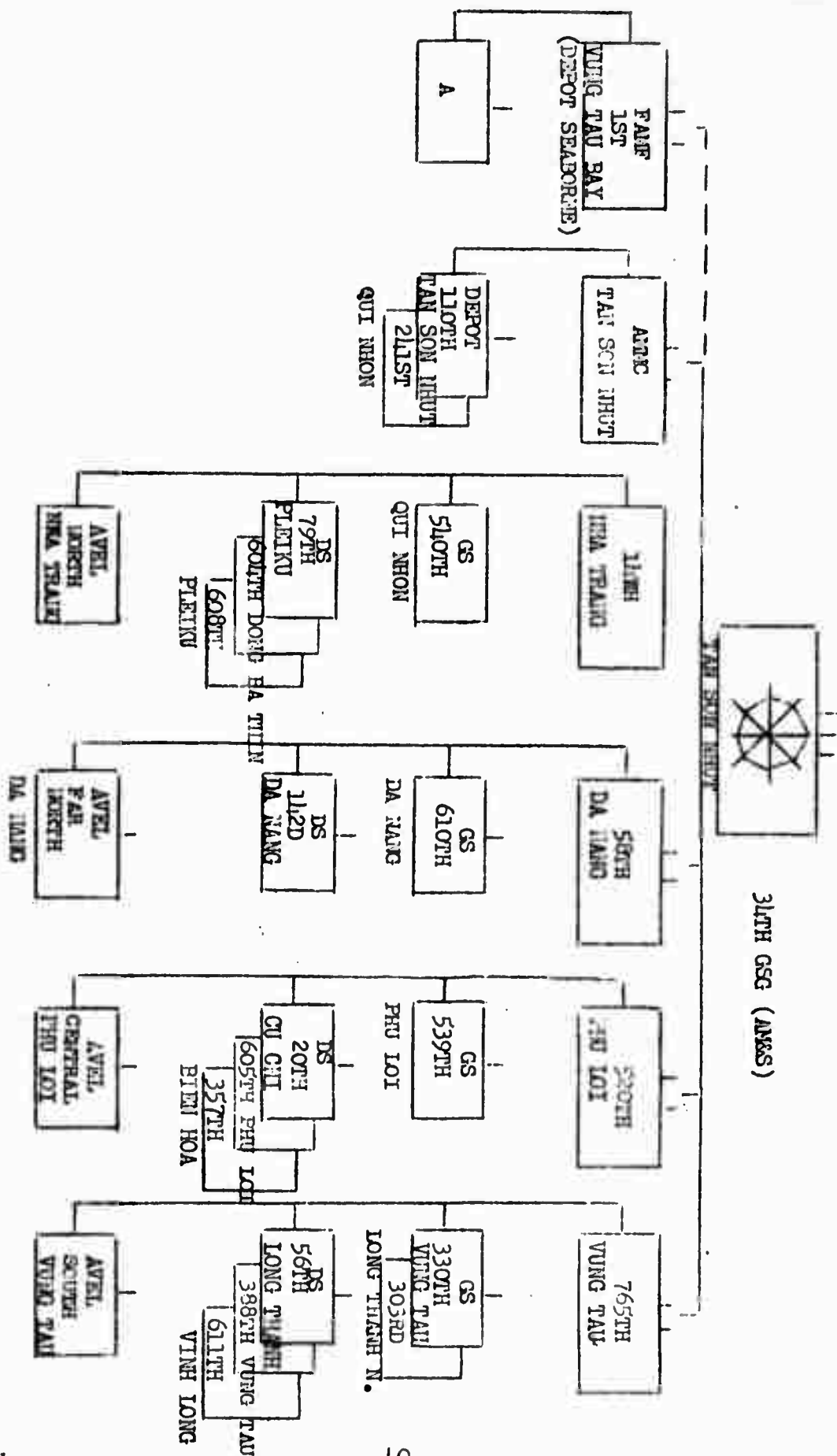
TO: Assistant Chief of Staff for Force Development, Department of the
Army, Washington, D. C. 20310

This headquarters has evaluated subject report and forwarding indorse-
ment and concurs in the report as indorsed.

FOR THE COMMANDER IN CHIEF:



D. A. TUCKER
CPT. AGC
ASST AG



UNCLASSIFIED

Security Classification

DOCUMENT CONTROL DATA - R & D		
<i>(Security classification of title, body of abstract and indexing annotation must be entered when the overall report is classified)</i>		
1. ORIGINATING ACTIVITY (Corporate author) HQ, OACSFOR, DA, Washington, D. C. 20310		2a. REPORT SECURITY CLASSIFICATION FOR OFFICIAL USE ONLY
		2b. GROUP FOUO Cancelled 30 April 1972
3. REPORT TITLE Operational Report - Lessons Learned, Hq, 34th General Support Group		
4. DESCRIPTIVE NOTES (Type of report and inclusive dates) Experiences of unit engaged in counterinsurgency operations, 1 Feb 69 to 30 Apr 69.		
5. AUTHOR(S) (First name, middle initial, last name) CO, 34th General Support Group		
6. REPORT DATE Undated	7a. TOTAL NO. OF PAGES 13	7b. NO. OF REFS
8a. CONTRACT OR GRANT NO.	8b. ORIGINATOR'S REPORT NUMBER(S) 692177	
b. PROJECT NO.		
c. N/A	9b. OTHER REPORT NO(S) (Any other numbers that may be assigned this report)	
d.		
10. DISTRIBUTION STATEMENT		
11. SUPPLEMENTARY NOTES N/A	12. SPONSORING MILITARY ACTIVITY OACSFOR, DA, Washington, D.C 20310	
13. ABSTRACT		