

UNCLASSIFIED



AD NUMBER

AD-851 518

CLASSIFICATION CHANGES

TO UNCLASSIFIED

FROM CONFIDENTIAL

AUTHORITY

DD 254 MSCG WS107A; May 14, 1965 by Richard J. Cook  
per Document Markings

19991004329

THIS PAGE IS UNCLASSIFIED

UNCLASSIFIED



AD NUMBER

AD-851 518

NEW LIMITATION CHANGE

TO

DISTRIBUTION STATEMENT: A

Approved for public release; Distribution Unlimited.

LIMITATION CODE: 1

FROM

No Prior DoD Distr Scty Cntrl St'mt Assgn'd

AUTHORITY

SAMSO Ltr; Mar 20, 1972

THIS PAGE IS UNCLASSIFIED

UNCLASSIFIED

REPORT NO. AE60-0653

DATE 26 October 1960

NO. OF PAGES 48

AD851518

GENERAL DYNAMICS | ASTRONAUTICS

WS-107A-1

INSTRUMENTATION CONFIGURATION  
OPERATIONAL SYSTEM TEST FACILITY NO. 2

VAFB

This document is subject to special export controls and each transmittal to foreign governments or foreign nationals may be made only with prior approval of: Hq. SAMSU, LA., Ca. 90043 Attn: SMSD

Classification Changed To:

UNCLASSIFIED

Authorized By: D D 254 MSCG  
Reclassified By: Richard J. Cook

Date 5-14-65  
WS107A  
Dept. Date

DDT

MAY 7 1969

PREPARED BY TEST PLANNING GROUP

APPROVED BY H. R. Macdonald  
Test Planning

CHECKED BY T. M. Wooster  
T. M. Wooster  
Instrumentation

APPROVED BY P. J. Kynch  
Chief-Field Test Engineering

Reproduced From  
Best Available Copy

GR. 4  
DOWNGRADED AT 3 YEAR INTER-  
VALS, DECLASSIFIED AFTER  
12 YEARS  
DOD DIR 520010

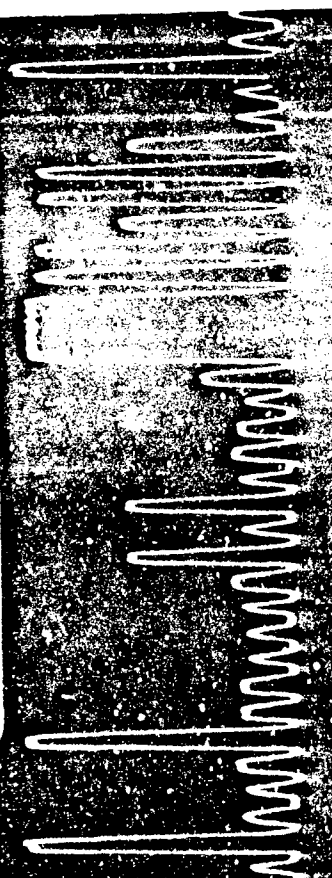


This document contains information affecting the national defense of the United States within the meaning of the Espionage Laws, Title 18, U.S.C., Sections 793 and 794, the transmission or revelation of which in any manner to an unauthorized person is prohibited by law.

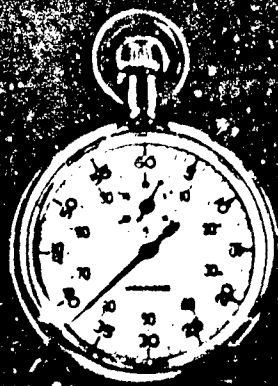
~~CONFIDENTIAL~~

UNCLASSIFIED

*SECRET*

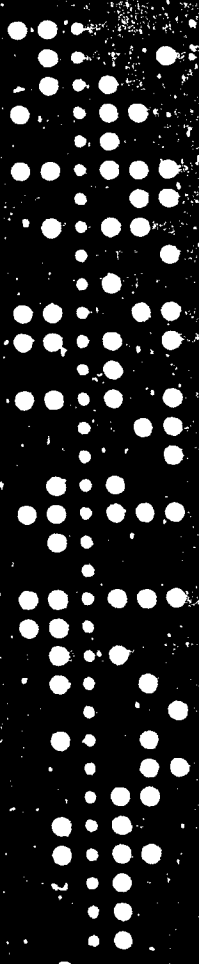


# Instrumentation Configuration Report



AE60-0653  
OSTF NO. 2


AD851518





MS-107A-1  
 INSTRUMENTATION CONFIGURATION  
 OPERATIONAL SYSTEM TEST FACILITY NO.2  
 VAFB

REVISIONS

NO.	DATE	BY	CHANGE	PAGES AFFECTED
B	12 JUL 61	RTL	Change company name	Title, 1 thru vi, all revised pages
			UPDATES:	
			Text to include program changes:	
			ECP1090, ECP1452, S.O. 142-1-3,	1 thru x
			Definition of Part 2 program	Section I thru IV
			All illustrations	Section 7
			All tabulations	Sections 8, 9, 10
			IBM Code Key	Section 13
				

UNCLASSIFIED

INSTRUMENTATION PLAN  
FOR  
OPERATIONAL SYSTEM TEST FACILITY  
VAFB

REVISIONS

NO.	DATE	BY	CHANGE	PAGES AFFECTED
C	6 DEC 61	WJH	Program Summary	viii
			Discussion of Instrumentation to	1-1 thru 1-7
			reflect program changes	2-1 thru 2-25
			Data Gathering Systems	3-1 thru 3-
			Illustrations	7-1,3,5,7,8,9,10
				11,12,18,20,21
			Tabulations to reflect program changes	Sections 8,9,10
			IBM Code Key	Section 13
			ADDED:	
			COX Vent System discussion	2-12
			Illustrations of Crib Drop Accelerometers	2-15 thru 2-20
			DELETED:	
			Countdown Instrumentation	Section 12
			<i>Rev. 12/11/61 WJH/KM</i>	

**BLANK PAGE**

**GENERAL DYNAMICS | ASTRONAUTICS**

INSTRUMENTATION PLAN  
FOR  
OPERATIONAL SYSTEM TEST FACILITY  
VAFB  
REVISIONS

NO.	DATE	BY	CHANGE	PAGES AFFECTED
D	6 JULY 62	WEB	Program Summary	Viii and ix
			Discussion of Instrumentation to	1-9 and
			reflect program changes	2-27
			Tabulations to reflect program	Sections 8,9,10
			changes	
			ADDED:	
			IRSS modification discussion	1-9
			Recoverable camera Pod discussion	
			Lift-Off cameras discussion	
			Launch control instrumentation	2-27
			discussion	
			Silo Ambient Pressure Instrumentation	
			Bendix Inverter Instrumentation	
			Trailing Wire Instrumentation discussion	
			<i>WEB, W, J, M</i>	

INSTRUMENTATION PLAN  
FOR  
OPERATIONAL SYSTEM TEST FACILITY  
VAFB  
REVISIONS

NO.	DATE	BY	CHANGE	PAGES AFFECTED
E	26 Sept 62	WEB	Program Summary	viii and ix
			Tabulations to reflect program changes	Sections 8,9,10
			ADDED:	
			Pressure Pulse Instrumentation	1-13
			Deleted:	
			Crib Drop Test Instrumentation	2-11 and 2-12
			<i>J. S. G. D., A.T.K.</i>	
			<i>SPW 9/26/62</i>	
			<i>SPW for DLF 9/26/62</i>	
			.	

~~CONFIDENTIAL~~  
UNCLASSIFIED

**GENERAL DYNAMICS | ASTRONAUTICS**  
REPORT NO. AEG0-0653  
26 SEPTEMBER 1961

UNCLASSIFIED

FOREWORD

This report is prepared at the direction of U. S. Air Force Ballistic System Division by Letter Contract NO. AF04(647)-453.

This report provides the integrated instrumentation requirements and details necessary to accomplish programs described in Astronautics Report AEG0-0807, "Integrated Test Plan for WS107A-1 Operational System Test Facility OSTF-2 Category II," prepared by Test Planning, Dept. 370-1. This report will be considered the primary source of information related to instrumentation for the OSTF-2 program. Instrumentation of integrated equipment of Associate Contractors is included. All changes or additions to the instrumentation will be indicated in revisions to this report, after coordination with Instrumentation Planning, Dept. 370-1.

| (A)  
| (C)  
| (D)  
| (E)

PAGE NO. 1

THIS MATERIAL CONTAINS INFORMATION AFFECTING THE NATIONAL DEFENSE OF THE UNITED STATES WITHIN THE MEANING OF THE ESPIONAGE LAWS, TITLE 18, U.S.C., SECTIONS 793 AND 794, THE TRANSMISSION OR REVELATION OF WHICH IN ANY MANNER TO AN UNAUTHORIZED PERSON IS PROHIBITED BY LAW.

UNCLASSIFIED

~~CONFIDENTIAL~~

GENERAL DYNAMICS | ASTRONAUTICS

REPORT NO. AEG0-0653

26 SEPTEMBER 1962

This page intentionally left blank.

PAGE NO. 11

THIS MATERIAL CONTAINS INFORMATION AFFECTING THE NATIONAL DEFENSE OF THE UNITED STATES WITHIN THE MEANING OF THE ESPIONAGE LAWS, TITLE 18, U.S.C., SECTIONS 793 AND 794, THE TRANSMISSION OR REVELATION OF WHICH IN ANY MANNER TO AN UNAUTHORIZED PERSON IS PROHIBITED BY LAW.

~~CONFIDENTIAL~~

~~CONFIDENTIAL~~

GENERAL DYNAMICS | ASTRONAUTICS

REPORT NO. AE60-0653

26 September 1962

TABLE OF CONTENTS

	<u>PAGE</u>
FOREWORD	i
TABLE OF CONTENTS	iii
LIST OF ILLUSTRATIONS	v
INTRODUCTION	vii
OSTF-2 PROGRAM INSTRUMENTATION SUMMARY	viii
I. DISCUSSION OF MISSILE INSTRUMENTATION	1-1
General	1-1
Propulsion	1-2
Propellant Utilization	1-3
Airborne Pneumatics	1-3
Missile Airframe	1-3
Flight Control	1-4
A. Autopilot	1-4
B. Guidance	1-4
Re-entry Vehicle	1-7
Revision D Changes Missile	1-9
Revision E Change	1-13
II. DISCUSSION OF FACILITY INSTRUMENTATION	2-1
Communication Systems	2-1
Launch Control	2-2
Propellant Loading	2-4

PAGE NO. 111

THIS MATERIAL CONTAINS INFORMATION AFFECTING THE NATIONAL DEFENSE OF THE UNITED STATES WITHIN THE MEANING OF THE ESPIONAGE LAWS, TITLE 18, U.S.C., SECTIONS 793 AND 794, THE TRANSMISSION OR REVELATION OF WHICH IN ANY MANNER TO AN UNAUTHORIZED PERSON IS PROHIBITED BY LAW.

~~CONFIDENTIAL~~



~~CONFIDENTIAL~~

GENERAL DYNAMICS | ASTRONAUTICS

REPORT NO. AE60-0653

26 September 1962

TABLE OF CONTENTS (Continued)

	<u>PAGE</u>
A. Fuel	2-4
B. Liquid Oxygen	2-6
C. Liquid Nitrogen/Helium	2-8
D. Gaseous Nitrogen	2-9
 Air Conditioning	 2-10
A. Facility Heating, Ventilating and Air Conditioning	2-10
B. Pod Cooling	2-11
C. Engine Compartment Environment	2-11
 Gox Vent System	 2-12
Launch Platform	2-12
Load Cells and Facility Missile	2-14
Missile Loft Systems	2-21
A. General	2-21
B. Launch Platform Driving Mechanism	2-21
 Launch Platform Locking System	 2-22
Door Closure System	2-23
Crib Locking System	2-23
Facility Hydraulic Power System	2-23
Hydraulic Pumping Unit	2-24
Facility Power	2-25
Revision D Changes Facility	2-27

ⓓ

PAGE NO. iv

THIS MATERIAL CONTAINS INFORMATION AFFECTING THE NATIONAL DEFENSE OF THE UNITED STATES WITHIN THE MEANING OF THE ESPIONAGE LAWS, TITLE 18, U.S.C., SECTIONS 793 AND 794, THE TRANSMISSION OR REVELATION OF WHICH IN ANY MANNER TO AN UNAUTHORIZED PERSON IS PROHIBITED BY LAW.

~~CONFIDENTIAL~~

~~CONFIDENTIAL~~

GENERAL DYNAMICS | ASTRONAUTICS

REPORT NO. AE60-0653

6 JULY 1962

TABLE OF CONTENTS (Continued)

	<u>PAGE</u>
III. DATA GATHERING SYSTEMS	3-1
General	3-1
FM	3-1
Digital	3-2
Graphic Recorder	3-3
Instrumentation Calibration	3-4
Miscellaneous Launch Area Data	3-6
Airborne Data Gathering System	4-1
IV. OSTF-2 DATA SOURCES	7-1
ILLUSTRATIONS	
TABULATIONS	
Master Instrumentation Log	8
Objective Instrumentation Composite	9
Test Plan and Recorder Assignment	10
SEQUENCE RECORDER PEN LIST	11-1
APPENDIX A	12-1

PAGE NO. v

THIS MATERIAL CONTAINS INFORMATION AFFECTING THE NATIONAL DEFENSE OF THE UNITED STATES WITHIN THE MEANING OF THE ESPIONAGE LAWS, TITLE 18, U.S.C., SECTIONS 793 AND 794, THE TRANSMISSION OR REVELATION OF WHICH IN ANY MANNER TO AN UNAUTHORIZED PERSON IS PROHIBITED BY LAW

~~CONFIDENTIAL~~

~~CONFIDENTIAL~~  
GENERAL DYNAMICS/ASTRONAUTICS  
REPORT NO. AE60-0653  
6 JULY 1962

This page intentionally left blank.

PAGE NO. vi

THIS MATERIAL CONTAINS INFORMATION AFFECTING THE NATIONAL DEFENSE OF THE UNITED STATES WITHIN THE MEANING OF THE ESPIONAGE LAWS, TITLE 18, U.S.C., SECTIONS 793 AND 794, THE TRANSMISSION OR REVELATION OF WHICH IN ANY MANNER TO AN UNAUTHORIZED PERSON IS PROHIBITED BY LAW.

~~CONFIDENTIAL~~

~~CONFIDENTIAL~~

GENERAL DYNAMICS | ASTRONAUTICS

REPORT NO. AE60-0653

26 SEPTEMBER 1962

## INTRODUCTION

The Operational System Test Facility (OSTF-2), F Series silo at Vandenberg AFB will have instrumentation provided to support testing the weapon system as part of the overall category II program. The facility configuration is covered in Astronautics Report AE60-0306. The purpose of the OSTF-2 Category 2 program is to test the F Weapon System and to determine if any modifications are necessary to meet or improve operational requirements at the silo sites.

The areas of testing will include evaluation of Aerospace Ground Equipment (AGE), Airborne, and Facility system and subsystem performance. Operational capability will also be evaluated in terms of maintainability, reliability, and human engineering factors.

A detailed discussion of system and subsystem instrumentation will be found in the main body of this report.

PAGE NO. vii

THIS MATERIAL CONTAINS INFORMATION AFFECTING THE NATIONAL DEFENSE OF THE UNITED STATES WITHIN THE MEANING OF THE ESPIONAGE LAWS, TITLE 18, U.S.C., SECTIONS 793 AND 794, THE TRANSMISSION OR REVELATION OF WHICH IN ANY MANNER TO AN UNAUTHORIZED PERSON IS PROHIBITED BY LAW.

~~CONFIDENTIAL~~

~~CONFIDENTIAL~~

GENERAL DYNAMICS/ASTRONAUTICS  
REPORT NO. AE60-0653  
26 SEPTEMBER 1962

### OSTF-2 PART 2 PROGRAM INSTRUMENTATION SUMMARY

The test program consists of three (3) test series divided into blocks of testing. Test Series I is divided into the following blocks: (a) Block 0, (b) Block 1, (c) Block 1A, (d) Block 1B, and (e) Block 1C. Block 0 testing consists of three  $LN_2$  countdowns utilizing Missile 3F. Block 1 testing, using Missile 13F, contains an inspection, two  $LN_2$  countdowns, and three LOX countdowns. One of the  $LN_2$  and one of the LOX countdowns also include hour hold periods. Block 1A and 1B testing comprise Operation Shotgun. Missile 57F will be used for Block 1A testing which includes an inspection, one  $LN_2$  countdown with an hour hold, a LOX countdown, and a launch. Missile 13F will be used for Block 1B testing which includes an inspection, two  $LN_2$  countdowns, a 5 day hold, a LOX countdown, and a launch. Block 1C testing consists of an inspection to be accomplished at 576E.

Test Series II and III are divided into two blocks of testing for each. Test Series II will utilize Missile 83F. Special testing consisting of EMI and  $LN_2$  countdowns will be accomplished as well as ECP updatings. Test Series III as yet has not been defined for any special testing.

All Test Objectives are listed in tabular form in the Objective Instrumentation Composite, (see Section 9). In order to obtain data to fulfill these objectives, instrumentation has been assigned from the master OSTF-2 instrumentation list. Recorder assignments for the various measurements are found in the Recorder Assignment Tab, (see Section 10).

A measurement composite has been compiled and only measurements on the composite will be recorded at OSTF-2. All test objectives have been assigned instrumentation from the composite list; and where required, a priority will be assigned according to the following ground rules:

- a) Priority 1 measurements are the minimum required to satisfy the objectives.
- b) Priority 2 measurements are those desired for the fulfillment of the objective.
- c) For any given run, the site personnel will be required to record all priority 1 measurements for the specific objectives of that run. The recording of priority 2 measurements will in general be left to the discretion of the site personnel so that recording capabilities will not be exceeded.

PAGE NO. viii

THIS MATERIAL CONTAINS INFORMATION AFFECTING THE NATIONAL DEFENSE OF THE UNITED STATES WITHIN THE MEANING OF THE ESPIONAGE LAWS, TITLE 18, U.S.C., SECTIONS 793 AND 794, THE TRANSMISSION OR REVELATION OF WHICH IN ANY MANNER TO AN UNAUTHORIZED PERSON IS PROHIBITED BY LAW

~~CONFIDENTIAL~~

~~CONFIDENTIAL~~

GENERAL DYNAMICS | ASTRONAUTICS

REPORT NO. AE60-0653

26 SEPTEMBER 1962

The instrumentation system will assist in the evaluation of Technical Orders and troubleshooting. It may be necessary for site personnel to select the parameters required for correcting problem areas. Complete information concerning the parameters, such as pick-up point, range, and recorder, along with a description of the problem requiring the instrumentation changes, should be forwarded to Test Planning, Dept. 370-1, as soon as practicable after each change for record purposes.

PAGE NO. lx

THIS MATERIAL CONTAINS INFORMATION AFFECTING THE NATIONAL DEFENSE OF THE UNITED STATES WITHIN THE MEANING OF THE ESPIONAGE LAWS, TITLE 18, U.S.C., SECTIONS 793 AND 794, THE TRANSMISSION OR REVELATION OF WHICH IN ANY MANNER TO AN UNAUTHORIZED PERSON IS PROHIBITED BY LAW.

~~CONFIDENTIAL~~

~~CONFIDENTIAL~~

GENERAL DYNAMICS | AERONAUTICS

REPORT NO. AE60-0563

26 SEPTEMBER 1962

This page intentionally left blank.

PAGE NO. x

THIS MATERIAL CONTAINS INFORMATION AFFECTING THE NATIONAL DEFENSE OF THE UNITED STATES WITHIN THE MEANING OF THE ESPIONAGE LAWS, TITLE 18, U.S.C., SECTIONS 793 AND 794, THE TRANSMISSION OR REVELATION OF WHICH IN ANY MANNER TO AN UNAUTHORIZED PERSON IS PROHIBITED BY LAW.

~~CONFIDENTIAL~~

~~CONFIDENTIAL~~

GENERAL DYNAMICS | ASTRONAUTICS

REPORT NO. AE60-0653

6 DECEMBER 1961

## DISCUSSION OF MISSILE INSTRUMENTATION

### GENERAL

The instrumentation program described in this report has been coordinated with various design groups and Associate Contractors. The instrumentation requirements are based upon the following categories:

Evaluative Instrumentation - that instrumentation required to support test objectives.

Operating Instrumentation - redline and design limit measurements which are required by site personnel to monitor critical parameters during validation, integration and test operations.

Failure Analysis Instrumentation - any of the OSTF-2 program measurements may, in the event of particular types of failure, become useful in failure analysis. Therefore, measurements not specifically assigned in the above two categories are automatically classified as failure analysis instrumentation.

The ground rules used in this instrumentation program are as follows:

- A. All instrumentation is to be coordinated through Astronautics Test Planning Instrumentation Group, 578-12.
- B. All subsystem and Associated Contractor equipment interfaces are considered for instrumentation and instrumented where required.
- C. A standardized boss is used for all pressure and temperature transducers. Measurement provision in the AGE is the responsibility of the cognizant design group.

A design objective is that the over-all instrumentation program, including methods, techniques and procedures for human factor data collection, will allow changes of measurements with no appreciable delay or cost in testing. A complete listing of the instrumentation provided for testing at OSTF-2 is published in this report; however, instrumentation changes will be made if necessary to accomplish objectives resulting from previous runs.

PAGE NO. 1-1

THIS MATERIAL CONTAINS INFORMATION AFFECTING THE NATIONAL DEFENSE OF THE UNITED STATES WITHIN THE MEANING OF THE ESPIONAGE LAW, TITLE 18, U.S.C., SECTIONS 793 AND 794, THE TRANSMISSION OR REVELATION OF WHICH IN ANY MANNER TO AN UNAUTHORIZED PERSON IS PROHIBITED BY LAW

~~CONFIDENTIAL~~



~~CONFIDENTIAL~~

GENERAL DYNAMICS/ASTRONAUTICS

REPORT NO. AE60-0653

6 DECEMBER 1961

Three basic types of recording systems will be utilized for data gathering. Direct writing recorders will be used for quick look type analysis, sequence measurements, and operating instrumentation. An FM system will be employed for data requiring a more complete analysis. A digital system will be provided for recording measurements requiring a high degree of accuracy. Limited playback facilities will be available at the site for quick look analysis of the data, including unscaled playback of digital data. The instrumentation system is capable of handling all types of measurements including pressure (potentiometers and strain gauges), temperature (resistance bulbs and thermocouples), flow (venturi, orifice and turbine type), rotational velocity, and others that might arise. Scale factor calibration techniques will be employed to reduce the set-up time for each run

### PROPULSION

The silo configuration requires that fuel be constantly stored in the missile tanks. Automatic prevalves in the airborne low pressure fuel ducting keep the fuel from flowing into the engines while the missile is in standby condition. The fuel turbopump inlet pressures (P7002P, P7306P, P7055P) will be monitored to ascertain prevalve performance during the standby and flight pressurization periods.

The ability of the rapid LOX topping unit to maintain satisfactory LOX turbopump inlet conditions and to meet interface requirements will be exhibited by temperature (P7134T, P7304T, P7305T) and pressure (P7907P) measurements in the LOX pump inlet ducting

During LOX tanking, gaseous and liquid oxygen flow through the turbopumps and cause the pumps to motor. If the pumps motor excessively, the preservation and lubrication materials utilized by Rocketdyne are destroyed and the pumps must be repressured. In order to determine the number and rate of turbopump revolutions, the existing missileborne tachometers will be adjusted for low range output (P7137B, P7138B) and will be connected to the landline FM recording system. Prior to flight, the tachometers must be readjusted to the normal range and reconnected to the telemetry system

Additional propulsion system instrumentation, telemetered via the IRSS, will furnish information on engine performance during flight.

PAGE NO. 1-2

THIS MATERIAL CONTAINS INFORMATION AFFECTING THE NATIONAL DEFENSE OF THE UNITED STATES WITHIN THE MEANING OF THE ESPIONAGE LAWS, TITLE 18, U.S.C., SECTIONS 793 AND 794, THE TRANSMISSION OR REVELATION OF WHICH IN ANY MANNER TO AN UNAUTHORIZED PERSON IS PROHIBITED BY LAW

~~CONFIDENTIAL~~

~~CONFIDENTIAL~~

GENERAL DYNAMICS | ASTRONAUTICS

REPORT NO. AE60-0653

6 DECEMBER 1961

PROPELLANT UTILIZATION

The acoustica propellant utilization (P/U) system will be installed on those missiles allocated to the OSTF-2 facility. This system consists essentially of a sensor string portion and a computer portion. Propellant levels (fuel and lox) are sensed by ultrasonic probes and this level information is fed into the computer portion. The computer section uses these level indications and the time differences between these level indications to apply a correction voltage to the electrically controlled hydraulic servo valve which positions the main fuel valve and thus controls the fuel flow rate.

Present plans for light instrumentation for the Acoustica P/U system consists of two telemetry measurements (U113V, U135X) in the IRSS kit. Official Air Force action to add these two measurements to the IRSS kit (ECP 1260) has not been received at the time of this report.

Since the Acoustica P/U system is relatively passive during a countdown, two landline measurement (U7132X, U7125X) and instrumentation common to other systems (e. g. missile 29 volt power) will provide information for system capability. Computer reset (U7125X) will determine that a pulse has been received by the computer while station counter output (U7132X) will verify that the computer has been reset and is connected to the proper sensor pair in order to provide operational readiness.

PNEUMATICS

Missileborne helium requirements are very critical on Silo missiles due to countdown restrictions. The quantity of helium loaded will be determined by airborne pressure (F7145P, F7246P) and temperature (F7248T, F7249T, F7250T, F7290T) instrumentation in the missileborne helium storage spheres. Performance of the F Series boiloff valve will be established by the missile tank ullage (F7001P) pressure measurement.

MISSILE AIRFRAME

Eight strain gage measurements will be made on the missile to measure bending moment as the missile is raised and lowered.

PAGE NO. 1-3

THIS MATERIAL CONTAINS INFORMATION AFFECTING THE NATIONAL DEFENSE OF THE UNITED STATES WITHIN THE MEANING OF THE ESPIONAGE LAWS, TITLE 18, U.S.C., SECTIONS 793 AND 794, THE TRANSMISSION OR REVELATION OF WHICH IN ANY MANNER TO AN UNAUTHORIZED PERSON IS PROHIBITED BY LAW

~~CONFIDENTIAL~~

~~CONFIDENTIAL.~~

GENERAL DYNAMICS/ASTRONAUTICS

REPORT NO. AE60-0653

6 DECEMBER 1961

Each installation will consist of two gages (one hoop and one longitudinal strain) located halfway between the X and Y axes in quadrants I, II, III, and IV at Sta. 900; and in the same relative locations at Sta. 1100 as follows:

	STA 900		STA 1100	
	LONG.	HOOP	LONG.	HOOP
QUAD I	A7820S	A7533S	A7824S	A7537S
QUAD II	A7822S	A7535S	A7826S	A7539S
QUAD III	A7823S	A7536S	A7827S	A7540S
QUAD IV	A7821S	A7534S	A7825S	A7538S

FLIGHT CONTROL

The flight control system is made up of two major subsystems, the airborne autopilot system and the inertial guidance system.

A. Autopilot

Refer to General Dynamics/Astronautics document AZC-27-068, Instrumentation Configuration of Operations, Missiles - IRSS, for a discussion of measurements made via the telemetry system.

The Operational Test and Automatic Launch Control Parameters document, AZM-27-452, describes those functions monitored during testing and system checkout.

B. Guidance

The following guidance instrumentation has been coordinated with the Arma Corporation and is in accordance with ARMA DAG 7764 Rev III

PAGE NO. 1-4

THIS MATERIAL CONTAINS INFORMATION AFFECTING THE NATIONAL DEFENSE OF THE UNITED STATES WITHIN THE MEANING OF THE ESPIONAGE LAWS, TITLE 18, U.S.C., SECTIONS 793 AND 794, THE TRANSMISSION OR REVELATION OF WHICH IN ANY MANNER TO AN UNAUTHORIZED PERSON IS PROHIBITED BY LAW.

~~CONFIDENTIAL~~

~~CONFIDENTIAL~~

GENERAL DYNAMICS | ASTRONAUTICS

REPORT NO. AE60-0653

6 DECEMBER 1961

All of the Arma Inertial Guidance measurements telemetered via the IRSS, except I581W are also being recorded via landline. Of these measurements the analog to analog convertor (AAC'S) (I7552D, I7528V, I7529V, I7580V, I7527X, I7521X, I7522X, and I7570X) are to be picked up at the umbilical junction box and are already conditioned to 0-5 VDC; the calibration procedure of these measurements will be supplied at a later date. The digital signal convertor (DSC) Outputs (I7505H, I7506H, I7507H, I7508H, I7509H, I7502L, I7503L, I7504L and I7510W) are also picked up at the same umbilical junction box and require only one recording channel.

In addition, the following measurements are also made on landline recorders:

1. Arma String Frequencies - I7515A, I7516A, I7517A, I7518A, I7519A and I7520A. These string frequencies, two from each of the three accelerometers on the stable platform are fed directly into the airborne computer and are used to calculate missile vector velocity, position and steering functions. This measurement will be recorded on tape using a 70 KC subcarrier oscillator.
2. Optical Azimuth Signal - I7501D. This measurement is normally a null and is derived from the azimuth alignment group servo loop and indicates the azimuth with respect to polaris.
3. Roll and Pitch Pendulum - I7511D and I7512D. These measurements monitor the leveling of the guidance platform preparatory for launch and test purposes.
4. Roll, Pitch and Azimuth Memory - I7572D, I7573D and I7574D. The guidance is put on memory prior to elevator lift, and this memory capability is therefore monitored to evaluate any changes when the missile arrives at launch position.
5. Pitch, Roll and Yaw Gyro Torque - I7591C, I7592C, and I7593C. This measures the torquing signals fed to each respective gyro axis to maintain platform alignment. It compensates for earth's rotation and normal gyro drifts.

PAGE NO. 1-5

THIS MATERIAL CONTAINS INFORMATION AFFECTING THE NATIONAL DEFENSE OF THE UNITED STATES WITHIN THE MEANING OF THE ESPIONAGE LAWS, TITLE 18 U.S.C., SECTIONS 793 AND 794, THE TRANSMISSION OR REVELATION OF WHICH IN ANY MANNER TO AN UNAUTHORIZED PERSON IS PROHIBITED BY LAW.

~~CONFIDENTIAL~~

~~CONFIDENTIAL~~

GENERAL DYNAMICS/ASTRONAUTICS

REPORT NO. AE60-0653

6 DECEMBER 1961

6. Pitch, Roll and Azimuth Servo Error - I7549D, I7550D and I7551D. These are measurements of the error signals in the platform servos which maintain the platform initial orientation. However, when positioned on the ground these signals should be near null.
7. Zero Lag Output #1 - I7576D. This signal is associated with the azimuth alignment loop and provides the added stability in the azimuth alignment servo loop.
8. Alignment Group Radial, Tangential and Axial Vibration - I7538O, I7539O and I7542O. These measurements monitor the vibration environment of the theodolite which is a part of the alignment group.
9. Temperature Controls Amplifier Output - I7540V. This measurement monitors the power required to maintain a fixed stable temperature of the high density fluid surrounding the spherical housings which contains the gyros, on the stable platform.
10. Twenty-One Arma Discrete Commands - I7611X thru I7628X, I7630X, I7631X, and I7637X. These measurements are self explanatory when referred to in the measurement tabulations
11. Indication of Start Elevator and Elevator Complete. H7807X, L/P LOCK ASSY OPEN; H7812X, L/P LOCK ASSY CLOSE.

These measurements provide a time history of "Elevator Lift" environment for the AIG.

12. AIG Pod Environmental Monitors - N7032T, A7907T, P015T, N7048T, N7156T, N7050R, N7155R, N7154T, N7046J. These measurements monitor the air flow rate, temperature, and relative humidity of the air going into B1 and B2 Pods. They also monitor the air inside the B1 and B2 Pods.

A discussion of the pod cooling instrumentation is in the air conditioning section, paragraph "B."

PAGE NO. 1-6

THIS MATERIAL CONTAINS INFORMATION AFFECTING THE NATIONAL DEFENSE OF THE UNITED STATES WITHIN THE MEANING OF THE ESPIONAGE LAWS, TITLE 18, U.S.C., SECTIONS 793 AND 794, THE TRANSMISSION OR REVELATION OF WHICH IN ANY MANNER TO AN UNAUTHORIZED PERSON IS PROHIBITED BY LAW

~~CONFIDENTIAL~~

~~CONFIDENTIAL~~

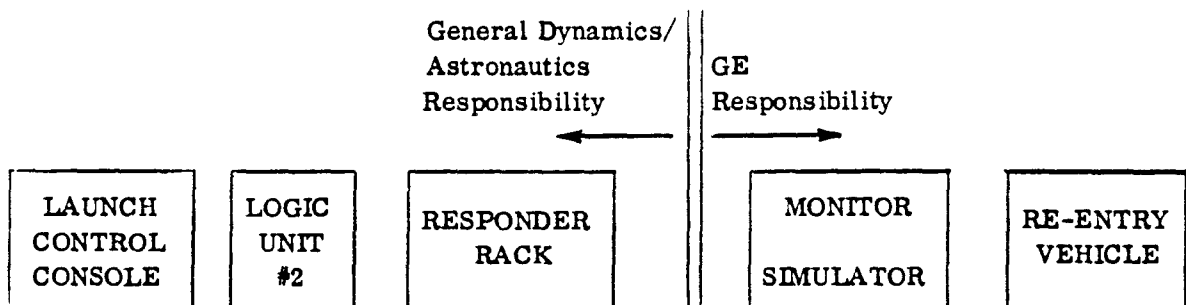
GENERAL DYNAMICS | ASTRONAUTICS

REPORT NO. AE60-0653

6 DECEMBER 1961

RE-ENTRY VEHICLE

Basic Category Two (2) Tests for the Re-entry Vehicle (R/V) are a) to prove reliability, b) determine that the R/V is tactically operational, and c) evaluate the R/V as a part of the weapon system to determine operational limitations and capabilities. The units involved with R/V system evaluation are as shown below in a simplified configuration:



Instrumentation requirements for the Part 2 Program are listed below:

<u>MEAS. NO.</u>	<u>DESCRIPTION</u>	<u>REMARKS</u>
Y7052X	R/V BATT HTR THERMOST	Effective only on Mark 3-Mark 4 always shows positive signal.
Y7054X	L/C POWER	Signal is sent to Launch Control Console (LCC) from GE at countdown initiation.
Y7055X	START C/D PWR	Signal is sent from GE which indicates another bus has been switched in to provide power to select the target.
Y7056X	28 VDC VERIFICATION	GE initiated signals to ascertain that GE is receiving operating power from Astronautics.
Y7064X	115 VAC VERIFICATION	

3

PAGE NO. 1-7

THIS MATERIAL CONTAINS INFORMATION AFFECTING THE NATIONAL DEFENSE OF THE UNITED STATES WITHIN THE MEANING OF THE ESPIONAGE LAWS, TITLE 18, U.S.C., SECTIONS 793 AND 794, THE TRANSMISSION OR REVELATION OF WHICH IN ANY MANNER TO AN UNAUTHORIZED PERSON IS PROHIBITED BY LAW.

~~CONFIDENTIAL~~

~~CONFIDENTIAL~~

GENERAL DYNAMICS/ASTRONAUTICS

REPORT NO. AE60-0653

6 DECEMBER 1961

<u>MEAS. NO.</u>	<u>DESCRIPTION</u>	<u>REMARKS</u>
Y7059X	R/V CONTINUITY (GOOD)	Determines that electrical continuity exists through the R/V circuits.
Y7068X Y7061X	MARK 3 R/V MARK 4 R/V	Identity loop to indicate that a Mark 3 or Mark 4 R/V is installed on the flight vehicle.
Y7062X	R/V TACTICAL	Signal represents a summation of a series of R/V relay closures: (a) that the GE simulator is not connected, (b) that the target selector switch is in the remote position and the "Test Power Good" switch is in the OFF position.
Y7065X	START C/D VFY	Signal received from GE acknowledging receipt of countdown initiation from the Launch Control Console.
Y7066X Y7067X	TARGET A SET TARGET B SET	Indicates that the command from the LCC (via the R/V monitor) has been set in the R/V.
Y7069X Y7070X	TARGET A SELECT TARGET B SELECT	Indicates that the R/V prelaunch monitoring set has received the target command from the LCC.
Y7071X	START C/D SIGNAL	Countdown initiation signal sent from LCC to GE.
Y7072X	+28 VDC	Generated by GD/A when +28 VDC supplied to R/V prelaunch monitor.

PAGE NO. 1-8

THIS MATERIAL CONTAINS INFORMATION AFFECTING THE NATIONAL DEFENSE OF THE UNITED STATES WITHIN THE MEANING OF THE ESPIONAGE LAWS, TITLE 18, U.S.C., SECTIONS 793 AND 794, THE TRANSMISSION OR REVELATION OF WHICH IN ANY MANNER TO AN UNAUTHORIZED PERSON IS PROHIBITED BY LAW.

~~CONFIDENTIAL~~

~~CONFIDENTIAL~~

GENERAL DYNAMICS | ASTRONAUTICS

REPORT NO. AE60-0653

6 JULY 1962

### REVISION "D" CHANGES MISSILE

The information contained under Discussion of Missile Instrumentation, Section I should be referred to for a description of reasoning used in establishing missile instrumentation configuration.

The text is still applicable except as amended below.

#### IRSS MODIFICATION

The launching of Missile 66E pointed up the desirability of expanding the IRSS telemetry to provide a greater failure analysis capability. This increased capability requires the addition of three continuous and one commutated channels (IRIG channels 2, 3, 8 & 16) to the IRSS kits and provides channel space for approximately 27 additional telemetry measurements. The new baseline (effective on launches after 57F) will consist of the present instrumentation including ECP 1260 plus those measurements added by OST - ECP 8073. The measurements added include 8 pressures, 3 temperatures, 2 valve positions, 5 autopilot voltages, 1 breakwire, and 1 conax valve command voltage. One rate gyro and 2 pump speed measurements are rechannelized from commutated to continuous channels. An auxiliary signal converter will be utilized to house channel 8 and 16 and the 10 RPS commutator.

Due to the time element Missile 57F received the minimum IRSS telemetry changes compatible with launch schedule. The measurements added include 1 temperature, 1 pressure, 1 breakwire, and 1 conax valve command voltage as listed below:

A778T ENGINE COMPARTMENT AMBIENT @ SUST. HYD. PUMP  
M32X CONAX VALVE COMMAND  
H185P SUST. HYDRAULIC PUMP INLET PRESSURE  
M185X RECOVERABLE CAMERA PKG. - EJECTION SIGNAL  
MEASUREMENT P714T (B2, GAS GENERATOR COMBUSTOR) was deleted to provide channel space for A778T.

PAGE NO. 1-9

THIS MATERIAL CONTAINS INFORMATION AFFECTING THE NATIONAL DEFENSE OF THE UNITED STATES WITHIN THE MEANING OF THE ESPIONAGE LAWS, TITLE 18, U.S.C., SECTIONS 793 AND 794, THE TRANSMISSION OR REVELATION OF WHICH IN ANY MANNER TO AN UNAUTHORIZED PERSON IS PROHIBITED BY LAW.

~~CONFIDENTIAL~~



~~CONFIDENTIAL~~

GENERAL DYNAMICS | ASTRONAUTICS

REPORT NO. AE60-0653

6 JULY 1962

The following measurements have been added to the basic IRSS Kits (Ref. Report AZC-27-068) to form new baseline kits:

P529D	SUSTAINER MAIN LOX VALVE POSITION
P30P	VERNIER LOX TANK PRESSURE
P27P	VERNIER FUEL TANK PRESSURE
F247T	BOOSTER TANK HELIUM BOTTLES TEMPERATURE
M32X	CONAX VALVE COMMAND
S373X	BOOSTER CUTOFF
S241X	SUSTAINER CUTOFF
S376X	VERNIER CUTOFF
S248X	AUTOPILOT PROGRAMMER SW 17
S379X	FIRE RETROROCKETS
A778T	ENGINE COMPARTMENT AMBIENT @ SUST. HYD. PUMP
A743T	AMBIENT @ SUSTAINER INSTR. PANEL
H185P	SUSTAINER HYDRAULIC PUMP INLET PRESSURE
H224P	BOOSTER HYDRAULIC SYSTEM LOW PRESSURE
P830D	SUSTAINER FUEL VALVE POSITION
P337P	SUST. GAS GEN LOX INJECTION MANIFOLD
P463P	SUST. GAS GEN FUEL INJECTION MANIFOLD
P1P	B1 LOX PUMP INLET
P351P	SUSTAINER LOX INJECTION MANIFOLD
*M185X	RECOVERABLE CAMERA PKG. - EJECTION SIGNAL
G504C	MOD III PULSE BEACON MAGNETRON
G583E	MOD III RB RF OUTPUT
G594V	MOD III RATE BEACON PHASE DET

• Excluding Missile 83F.

PAGE NO. 1-10

THIS MATERIAL CONTAINS INFORMATION AFFECTING THE NATIONAL DEFENSE OF THE UNITED STATES WITHIN THE MEANING OF THE ESPIONAGE LAWS, TITLE 18, U.S.C., SECTIONS 793 AND 794, THE TRANSMISSION OR REVELATION OF WHICH IN ANY MANNER TO AN UNAUTHORIZED PERSON IS PROHIBITED BY LAW

~~CONFIDENTIAL~~

~~CONFIDENTIAL~~

GENERAL DYNAMICS | ASTRONAUTICS

REPORT NO. AE60-0653

6 JULY 1962

The following measurements are rechannelized from commutated to continuous channels:

P84B	B1 PUMP SPEED
P349B	SUSTAINER PUMP SPEED
S52R	ROLL RATE GYRO

#### RECOVERABLE CAMERA PACKAGE

A recoverable camera package (RCP) (measurement M7606N) will be installed on missiles being launched from OSTF #2. The RCP consists of a Milliken model DBM3 motion picture camera (400 frames per second) loaded with 200 feet of film (40 frames per foot); a Sylvania flash flood lamp model FF33 which burns for 1.7 seconds to provide an illumination source, and a battery to operate both lamp and camera. The camera is mounted within a carbon dioxide operated ejector tube which together with the battery and illumination source are located on the aft end of the Quad IV jettison rail. The camera lens is focused on sustainer engine hardware to optically observe and record any visual abnormality which occurs in the engine compartment region during staging. Filming and illumination of the engine compartment are initiated by a timer, which in turn is triggered by the booster engine cutoff (BECO) signal. Ten seconds after BECO, the timer initiates the gas operated ejector mechanism and the camera is jettisoned from the tube. The jettisoned camera contains a baroswitch operated para-balloon which opens at a predetermined altitude and a SARAH beacon transmitter so that camera impact location may be determined.

Design for two additional RCP's have been completed and locations have been designated as position 2 and position 3. Position 2 is designed to mount on the Quad II jettison rail at approximately station 1200 with camera lens facing aft. Position 3 is planned for Quad II! approximately 37 degrees off the X-axis with the aft end of the ejection tube at station 1133. This camera will be looking at the booster thrust section to visually record booster jettison events.

RCP position 1 will be employed on Missile 57F. Other missiles in this series are presently planned to use position 3 only.

PAGE NO. 1-11

THIS MATERIAL CONTAINS INFORMATION AFFECTING THE NATIONAL DEFENSE OF THE UNITED STATES WITHIN THE MEANING OF THE ESPIONAGE LAWS, TITLE 18, U.S.C., SECTIONS 793 AND 794, THE TRANSMISSION OR REVELATION OF WHICH IN ANY MANNER TO AN UNAUTHORIZED PERSON IS PROHIBITED BY LAW

~~CONFIDENTIAL~~

~~CONFIDENTIAL~~

GENERAL DYNAMICS | ASTRONAUTICS

REPORT NO. AE60-0653

8 JULY 1962

### LIFTOFF CAMERAS

Optical coverage of the engine compartment on flights after 67E will be accomplished through the use of two ejectable liftoff cameras (LOC). The purpose of these cameras is to visually detect and record any fires or live ruptures that occur during engine start and missile liftoff. The forward camera (measurement M7604N) whose location is indicated as position 5 will be installed at station 1191 in Quad III approximately 15 degrees off the X-axis. The prime components in this camera's field of view are the Sustainer Lox Pump and Lox Y Ducting. The camera will be ejected at an angle of 90 degrees from the missile Z-axis.

The aft camera (measurement M7605N) will be located in Quad III approximately 40 degrees off the X-axis. Its location is known as position 4. Included within this camera's field of view are part of the tank apex, the low pressure fuel line from the tank and various components within this area. This camera will be ejected at an angle of 60 degrees from the missile Z-axis. For recovery, both cameras will be ejected at approximately five (5) seconds after missile liftoff.

PAGE NO. 1-12

THIS MATERIAL CONTAINS INFORMATION AFFECTING THE NATIONAL DEFENSE OF THE UNITED STATES WITHIN THE MEANING OF THE ESPIONAGE LAWS, TITLE 18, U.S.C., SECTIONS 793 AND 794, THE TRANSMISSION OR REVELATION OF WHICH IN ANY MANNER TO AN UNAUTHORIZED PERSON IS PROHIBITED BY LAW

~~CONFIDENTIAL~~

~~CONFIDENTIAL~~

GENERAL DYNAMICS|ASTRONAUTICS

REPORT NO. AE60-0653

26 SEPTEMBER 1962

PRESSURE PULSE INSTRUMENTATION

Several measurements will be added to the OSTF-2 facility and missiles in order to determine the effects of a pressure pulse such as occurred on the launches of Missiles 67E and 57F. Two of these measurements (A1585P and A1586P) will be located inside the missile in Quads I and III adjacent to the heat shield. The remaining six measurements (L7017P through L7016P, L7601P, and L7602P) will be located external to the missile. Measurements L7601P and L7602P will be mounted on the launcher and located adjacent to the heat shield in Quads I and III. Measurements L7013P through L7016P will be located on the flame bucket with their sensing elements facing into the bucket.

The data from the above measurements should reveal the severity of the pressure pulse for the silo configuration and should also provide a correlation between OSTF-1 and OSTF-2.

PAGE NO. 1-13

THIS MATERIAL CONTAINS INFORMATION AFFECTING THE NATIONAL DEFENSE OF THE UNITED STATES WITHIN THE MEANING OF THE ESPIONAGE LAWS, TITLE 18, U.S.C., SECTIONS 793 AND 794, THE TRANSMISSION OR REVELATION OF WHICH IN ANY MANNER TO AN UNAUTHORIZED PERSON IS PROHIBITED BY LAW

~~CONFIDENTIAL~~

~~CONFIDENTIAL~~

GENERAL DYNAMICS | AERONAUTICS

REPORT NO. AE60-0653

26 SEPTEMBER 1962

This page intentionally left blank.

PAGE NO. 1-14

THIS MATERIAL CONTAINS INFORMATION AFFECTING THE NATIONAL DEFENSE OF THE UNITED STATES WITHIN THE MEANING OF THE ESPIONAGE LAWS, TITLE 18, U.S.C., SECTIONS 793 AND 794, THE TRANSMISSION OR REVELATION OF WHICH IN ANY MANNER TO AN UNAUTHORIZED PERSON IS PROHIBITED BY LAW

~~CONFIDENTIAL~~

~~CONFIDENTIAL~~

GENERAL DYNAMICS | ASTRONAUTICS

REPORT NO. AE60-0653

6 DECEMBER 1961

## DISCUSSION OF FACILITY INSTRUMENTATION

### COMMUNICATION SYSTEM

The design of the operational weapon system communications equipment will be verified at OSTF #2. The configuration will be identical to Operational Bases.

It will be necessary to establish that the sufficient communications channels have been provided and that the transmission characteristics are adequate. The system consists of 41 telephones and 38 loudspeakers. Refer to functional schematic 7-6.

The above will be determined by a study of:

1. The amount of traffic per station.
2. Delays per station due to simultaneous calls.
3. Traffic distribution.
4. Frequency of usage of various systems, e. g., public address, dial.
5. Holding times.
6. Post operation check-lists/questionnaires.
7. Time intervals in relation to particular activities.

The above data requirements will be ascertained from:

Twenty event measurements (N7051X - N7070X, COM STA ON-OFF) which will be connected to the stations whose usage is greatest. Astronautics will supply wiring to the communications room and Kellogg will condition and connect the wiring to the stations.

Ten channels of voice recording (N7072Y - N7081Y) supplied by Kellogg for traffic analysis.

PAGE NO: 2-1

THIS MATERIAL CONTAINS INFORMATION AFFECTING THE NATIONAL DEFENSE OF THE UNITED STATES WITHIN THE MEANING OF THE ESPIONAGE LAWS, TITLE 18, U.S.C. SECTIONS 793 AND 794, THE TRANSMISSION OR REVELATION OF WHICH IN ANY MANNER TO AN UNAUTHORIZED PERSON IS PROHIBITED BY LAW

~~CONFIDENTIAL~~

~~CONFIDENTIAL~~

GENERAL DYNAMICS | ASTRONAUTICS

REPORT NO. AE60-0653

6 DECEMBER 1961

### LAUNCH CONTROL

The equipment and procedures by which automatic and remote operation of a missile launch is effected is called Launch Control. The launch control operation is capable of being performed by one person, the Launch Control Officer. The system is primarily a relay logic system, time sequenced to accomplish the launching countdown within the prescribed time. A minimum of fault indications will be provided as necessary to isolate faults on a subsystem basis. The Launch Control Equipment consists of one Launch Console, two relay logic units, and two signal responder units. The launch control system is capable of maintaining a readiness state for an extended period of time. Launch Control will perform static monitoring of the missile and AGE subsystem, and by comparison to the responder unit, which consists of equipment arranged to simulate functional circuitry of the missile and AGE, will be self-monitoring. The signal responders will have the capability through switching connections to respond to all control signals originating at the Launch Console or at the Relay and Logic Units. For a given input signal the responders will provide the suitable replies to permit the full operation of the Launch Control system. This will permit determination that the relay logic circuits are functioning correctly. The responder will include fault insertion to test the ability of the system to detect faults and to provide the unit proficiency system capabilities checks.

MOBILE APCHE (Automatic Programed Checkout Equipment) is used for missile system analysis only. MAPCHE is in essence a sophisticated voltmeter and accomplishes its check-out of systems by reducing all measurements such as pressures and temperatures to voltages which it compares to internal standards. Voltage ranges for each test are contained on punched cards and a go- or no-go comparison is made. The value of MAPCHE lies in the high speed with which a large number of tests can be accomplished with a great degree of reliability. MAPCHE, like Launch Control is self-checking, therefore no instrumentation is planned to evaluate or analyze it.

The logical place to gain easy access for AGE instrumentation pickup points is through Launch Control, since nearly all signals and measurements either terminate there or pass through before activating other sequences. The cables to the Launch Control Console are provided with breakouts in the form of cable splices to allow instrumentation connections to any of the

PAGE NO. 2-2

THIS MATERIAL CONTAINS INFORMATION AFFECTING THE NATIONAL DEFENSE OF THE UNITED STATES WITHIN THE MEANING OF THE ESPIONAGE LAWS, TITLE 18, U.S.C., SECTIONS 793 AND 794, THE TRANSMISSION OR REVELATION OF WHICH IN ANY MANNER TO AN UNAUTHORIZED PERSON IS PROHIBITED BY LAW

~~CONFIDENTIAL~~

~~CONFIDENTIAL~~

GENERAL DYNAMICS | ASTRONAUTICS

REPORT NO. AE60-0653

6 DECEMBER 1961

wires in the cables. The following breakout cables are provided to allow rapid connection of contained wires to the recording facility via a patch panel and appropriate landlines cables.

107P111	107P149
107P120	107P150
107P143	107P151
107P145	

If necessary other breakout cables can be routed and connected to the patch panel, but at present these cables contain all needed pickup points. The other cable breakouts will be ready for use any time additional instrumentation is needed, but will remain unconnected until required.

At this time, the following instrumentation will be used to monitor the launch control operation.

N7002X SELECT A BUTTON, and N7003X SELECT B BUTTON, are event recordings of the application of electrical power from the STANDBY BUS to Target and Roll Voltage set circuitry when these buttons are pressed, thus partially interlocking the light indication circuitry for the TARGET A SELECTED or TARGET B SELECTED indicator lights. These indicator lights are directly above the select buttons on the Launch Officer's Control Panel.

N7024X START BUTTON, N7028X COMMIT START BUTTON, and N7042X START ABORT SWITCH, are event recordings of application of electrical power to the COMMIT START BUS, (N7024X monitoring initiating of the countdown) and the START ABORT BUS. The power is applied by pressing these buttons. Activation of the ALARM RESET SWITCH (N7030X) shuts off the launch control console alarm buzzer, permitting the alarm to be available for further warning. In addition to the above, two color 16mm motion picture cameras (N7754N, N7755N) will be utilized to obtain data on Launch Console displays and operator action during a countdown.

In order to show that all Launch Control and missile systems receive adequate activation voltage, and that all power supplies provide the specified power required, the following measurements have been added:

PAGE NO. 2-3

THIS MATERIAL CONTAINS INFORMATION AFFECTING THE NATIONAL DEFENSE OF THE UNITED STATES WITHIN THE MEANING OF THE ESPIONAGE LAWS, TITLE 18, U.S.C., SECTIONS 793 AND 794, THE TRANSMISSION OR REVELATION OF WHICH IN ANY MANNER TO AN UNAUTHORIZED PERSON IS PROHIBITED BY LAW

~~CONFIDENTIAL~~



~~CONFIDENTIAL~~

GENERAL DYNAMICS | ASTRONAUTICS

REPORT NO. AE60-0653

6 DECEMBER 1961

E7003V	28 VDC GND VOLTAGE
E7004V	400 CPS GND VOLTAGE
E7005V	28 VDC A/B VOLTAGE
E7006V	400 CPS INVERTER OUT
E7007V	440 V IN TO DC SUP

### PROPELLANT LOADING

#### A. FUEL LOADING

The fuel loading system is unique in that fuel is stored in the missile in lieu of separate tank storage. Fuel is initially transferred from a fuel tank truck at grade level through silo plumbing and fuel loading prefab at a flow rate of approximately 250 gallons-per-minute. This flow (P7569R) is monitored by a turbine type flow meter installed in the 4 inch fill line. Pressure instrumentation (P7691P, P7909P) will be used to determine if excessive pressure surges exist in the fuel loading prefab plumbing which could be detrimental to the hardware. Fuel flow into the missile requires that valve F-1 and the airborne fill-and-drain valve be open. Valve positions for F-1 (P7922X, P7923X) and the airborne valve (P7934X, P7935X) will be monitored by these discrete measurements.

Two dual element sensors installed in the missile give discrete level indications as fuel covers the sensors. The lower sensor A and B elements (U7021X, U7022X) must be wet and the upper sensor A and B elements, (U7023X, U7024X) must be dry to indicate correct fuel level. These level measurements will also verify operation of the fuel portion of the PLCU. A delta-pressure measurement (U7081P), will be used to verify fuel level with respect to sensor activation.

As fuel is transferred to the missile, its temperature is monitored at the fuel loading prefab. This temperature is used to determine the level to which the fuel leveling tank is filled. Two temperatures (P7572T, P7566T) in the missile fuel tank and at the launch platform rise-off disconnect will verify operation of the fuel leveling sub-system. The fuel leveling tank is sized to a volume commensurate with maximum fuel temperature variations. Heat transfer to or from the loaded fuel in the missile

PAGE NO. 2-4

THIS MATERIAL CONTAINS INFORMATION AFFECTING THE NATIONAL DEFENSE OF THE UNITED STATES WITHIN THE MEANING OF THE ESPIONAGE LAWS, TITLE 18, U.S.C., SECTIONS 793 AND 794, THE TRANSMISSION OR REVELATION OF WHICH IN ANY MANNER TO AN UNAUTHORIZED PERSON IS PROHIBITED BY LAW

~~CONFIDENTIAL~~

~~CONFIDENTIAL~~  
GENERAL DYNAMICS | ASTRONAUTICS

REPORT NO. AE60-0653  
6 DECEMBER 1961

during long periods will cause the fuel to either increase or decrease in volume and thus require corrective action to restore the desired volume. The fuel leveling tank receives or transfers fuel in response to the corrective action required. Depending on inlet fuel temperature during initial loading, the fuel leveling tank is filled to one of two levels. For fuel temperatures above 85°F, the tank is filled completely (monitored by P7938X). For fuel temperature between 55°F and 85°F the tank is filled to the 50% level (P7939X). For fuel temperatures below 55°F, the tank is left empty.

3  
Pressurization for the fuel leveling tank, associated plumbing and pneumatic control pressure for automatic valves F-1, F-2, F-3, and F-4 is supplied from a GN<sub>2</sub> cylinder mounted on the fuel loading prefab. Instrumentation installed to monitor the GN<sub>2</sub> pressure (P7911P) and temperature (P7908T) will be used to determine gas usage and supply adequacy during a countdown. The leveling tank ullage pressure (P7567P) and vent valve positions (P7195X, P7196X), will furnish data on GN<sub>2</sub> valve and regulator action. Sequence measurements (P7930X, P7931X) will monitor position of the fuel leveling tank pressurization valve NF-1, while the pressure equalizing valve NF-2 position will be monitored by P7932X and P7933X. Automatic fuel valves F-1, F-2 and F-3 will be monitored for the closed position (P7923X, P7925X, P7927X) as well as the open position (P7922X, P7924X, P7926X). Positions (P7928X, P7929X) of the fuel drainback valve NF-4 (drainback from the fuel fill line to the leveling tank) will also be monitored. All valve position indications (as listed above) will be used for analysis of valve sequencing, valve operation and system routines required by an operational site.

3  
Draining the fuel from the missile tank to grade level requires operation (P7936X) of the centrifugal fuel pump F-11. Pressure instrumentation at the pump inlet (P7689P) and discharge (P7688P) will determine the pressure differential through the pump and that pump output satisfies operational requirements. Pressure drop (P7690P) across the fuel filter F-10 will determine fuel cleanliness and that the filtering unit meets operational requirements. Two pressures (P7692P, P7693P) at the elevator disconnect and at the rise-off disconnect will be monitored to detect excessive pressure drops during line drain which could cause fill line collapse. The fuel liquid sensor at the stub-up (oscillating crystal type) will be monitored (P7937X) to verify proper operation within the operational requirements.

PAGE NO. 2-5

THIS MATERIAL CONTAINS INFORMATION AFFECTING THE NATIONAL DEFENSE OF THE UNITED STATES WITHIN THE MEANING OF THE ESPIONAGE LAWS, TITLE 18, U.S.C., SECTIONS 793 AND 794, THE TRANSMISSION OR REVELATION OF WHICH IN ANY MANNER TO AN UNAUTHORIZED PERSON IS PROHIBITED BY LAW

~~CONFIDENTIAL~~

~~CONFIDENTIAL~~

GENERAL DYNAMICS|ASTRONAUTICS

REPORT NO. AE60-0653

6 DECEMBER 1961

Prevalves will be incorporated into the missile low pressure fuel ducting to contain the fuel continuously stored in the missile tank. Pressure instrumentation installed at the fuel turbopump inlets (P7002P, P7004P, P7055P) will reveal if the prevalves have opened or closed on command and thus verify the operational requirements.

B. LIQUID OXYGEN LOADING

The operational liquid oxygen loading system has been revised to include a rapid topping system which replaces the slug unit used for final LO<sub>2</sub> loading against sequence III (flight) pressurization.

The main LO<sub>2</sub> storage tank and the LO<sub>2</sub> topping tank are initially filled from resupply trailers located at grade level. The operation of the fill system will be established by monitoring the pressure drop (P7707P) through the resupply filter L-12 and the pressure (P7917P) at the inlet of valve L-7 which is opened to fill the main LO<sub>2</sub> storage tank. Since there is only one supply line for the separate storage tanks, fill valve sequencing is necessary to assure control over LO<sub>2</sub> flow during filling operations from the resupply trailers. Sequence measurements of the main storage tank fill valve L-7 (P7957X, P7958X) and the topping storage tank fill valve L-6 (P7959X, P7960X) will be taken to ascertain proper valve operation. Initial filling of the LO<sub>2</sub> main storage tank will be verified by a sequence measurement (P7947X) monitoring the full level indication.

Missile liquid oxygen loading is controlled by a propellant loading control unit in conjunction with four dual element liquid level sensors mounted in the missile liquid oxygen tank. Dual element sensors forestall the possibility of losing a signal and thus preventing tanking to the 100% full level. LO<sub>2</sub> rapid load is terminated by the 95 percent sensors (U7011X, U7015X) while fine load is terminated by the topping low sensors (U7012X, U7016X). Topping action continues until the level reaches the topping high sensors (U7013X, U7017X). During the final sequence the rapid topping system fills the missile to the 100 percent level (U7014X, U7018X) to complete LO<sub>2</sub> loading prior to raising the launch platform. An independent delta pressure measurement (U7682P) across the top one-third of the LO<sub>2</sub> tank is used as a check on sensor level indications, while another delta pressure measurement (U7080P) across the entire tank is used as an over-all check on the loading operation with respect to level indications.

PAGE NO. 2-6

THIS MATERIAL CONTAINS INFORMATION AFFECTING THE NATIONAL DEFENSE OF THE UNITED STATES WITHIN THE MEANING OF THE ESPIONAGE LAWS, TITLE 18, U.S.C., SECTIONS 793 AND 794, THE TRANSMISSION OR REVELATION OF WHICH IN ANY MANNER TO AN UNAUTHORIZED PERSON IS PROHIBITED BY LAW.

~~CONFIDENTIAL~~

~~CONFIDENTIAL~~

GENERAL DYNAMICS | ASTRONAUTICS

REPORT NO. AE60-0653

6 DECEMBER 1961

Transfer of LO<sub>2</sub> from the storage tanks to the missile is accomplished by pressurizing the storage tanks with GN<sub>2</sub> and actuating automatic valves in the proper sequence. The inlet (F7057P) and outlet (F7058P) pressures of pressurizing valve N-2 with two strain measurements (P7183S, P7184S) will verify valve operation and line integrity. The ullage pressures in the main storage (P7549P) and topping (P7709P) tanks will be measured to obtain valve sequencing and gas supply regulation information. Flow rate (P7564P, P7914P) during LO<sub>2</sub> rapid loading will be in the order of 5500 GPM and will be monitored by use of a venturi flowmeter. Since high flow rate capability is coupled to system pressure differences, the inlet pressures to rapid load valve L-2 (P7914P), fine load valve L-1 (P7913P) and pressure (P7565P) in the main LO<sub>2</sub> line will be monitored. This pressure instrumentation will also determine if the hydraulic snubbers on valves L-1 and L-2 perform properly to prevent the valves from slamming shut with a resultant damaging pressure surge upstream of the valves. Pressure drop (P7699P) across the main LO<sub>2</sub> filter L-15 will determine LO<sub>2</sub> cleanness and that the filtering unit meets operational requirements. The position of the rapid load valve L-2 (P7225X, P7227X), fine load valve L-1 (P7226X, P7228X), and air-borne fill and drain valve (P7963X, P7964X) will be recorded to provide valve timing data for verification of operational performance. A pressure survey covering the rapid load valve (P7700P) the fine load valve (P7701P) and the drain valve (P7706P) will determine if the pressure drop across these valves are compatible with the necessary operational flow rate. Data to determine operational chilldown requirements will be provided by monitoring the temperature and pressure of the main LO<sub>2</sub> line at the elevator disconnect (P7571T, P7578P) at the rise-off disconnect (P7698T, P7697P) and the topping line at the elevator disconnect (P7114T, P710CP) and at its rise-off disconnect (P7702T, P7696P).

The topping control unit (TCU) is designed to provide three different LO<sub>2</sub> flow rates with a constant ullage pressure (approximately 180 PSIG) in the topping tank. Three automatic valves control these flow rates in relation to countdown progression. Control pressure (P7105P) for these valves will be monitored at the TCU manifold. Bleed LO<sub>2</sub> flow rate (P7109P) will monitor the operation required to maintain the ground transfer line temperature (P7114T) below -290°F during a hold period. Topping valve L-60 position (P7117X, P7118X) rapid topping valve L-50 position (P7115X, P7116X) and topping tank vent valve positions (P7193X, P7194X) in conjunction with topping flow rate (P7104P) will determine operational capability with respect to LO<sub>2</sub> flow rate and valve sequencing. LO<sub>2</sub> topping tank level (P7530P) will verify adequate

PAGE NO. 2-7

THIS MATERIAL CONTAINS INFORMATION AFFECTING THE NATIONAL DEFENSE OF THE UNITED STATES WITHIN THE MEANING OF THE ESPIONAGE LAWS, TITLE 18, U.S.C., SECTIONS 793 AND 794, THE TRANSMISSION OR REVELATION OF WHICH IN ANY MANNER TO AN UNAUTHORIZED PERSON IS PROHIBITED BY LAW

~~CONFIDENTIAL~~

~~CONFIDENTIAL~~

GENERAL DYNAMICS/ASTRONAUTICS

REPORT NO. AE60-0653

6 DECEMBER 1961

LO<sub>2</sub> supply to prevent the transfer of gas instead of LO<sub>2</sub> to the missile. Topping valve L-60 is opened at the start of the commit sequence and is used to fill the missile from the 99.25 percent level to the 100 percent level against sequence III (flight) pressure. Thus, the missile liquid oxygen tank is at the 100 percent full level prior to raising the launch platform. A pressure survey (P7106P, P7107P, P7108P), will determine the pressure drop across the TCU while two temperatures (P7113T, P7114T) will determine heat input to the TCU.

The TCU is also used to drain and vent the main LO<sub>2</sub> transfer line prior to raising the launch platform. Valve position of N-80 (P7129X, P7130X) and N-60 (P7131X, P7132X) along with the main LO<sub>2</sub> line drain pressure (P7135P) will determine operational adequacy of the system.

The inlet pressure (P7915P) to the missile drain valve L-16, the pressure drop (P7706P) across this valve and position (P7238X, P7240X) of the valve will provide data to determine valve action and whether or not excessive pressure drops occur during drain.

Sequence measurements (P7223X, P7236X) of the LO<sub>2</sub> storage tank vent valve will provide valve timing data with relation to the fill and drain procedures. The over-all engine compartment environment and temperature gradient and distribution will be established by an extensive array of ambient temperature measurements (P7812T through P7827T).

C. LN<sub>2</sub>-HELIUM TRANSFER

Gas from the two helium storage bottles and the GN<sub>2</sub> supply goes directly into the Pneumatic Distribution Unit (PDU). From there it is routed to the LN<sub>2</sub> Helium heat exchanger, the Helium Charge Unit (HCU), the missileborne controls bottle, and the Pressure Control Unit (PCU). The adequacy of the helium and GN<sub>2</sub> supply to the PDU will be determined by pressure measurements at the PDU inlets (F7723P, F7724P, F7725P). The quantity of helium used during test operations will be calculated from temperature (F7836T, F7837T) and pressure (F7723P, F7724P) information. LN<sub>2</sub> Helium heat exchanger efficiency and pressure drop will be exhibited by temperature and pressure instrumentation in the heat exchanger helium inlet (F7714T, F7716P)

PAGE NO. 2-8

THIS MATERIAL CONTAINS INFORMATION AFFECTING THE NATIONAL DEFENSE OF THE UNITED STATES WITHIN THE MEANING OF THE ESPIONAGE LAWS, TITLE 18, U.S.C., SECTIONS 793 AND 794, THE TRANSMISSION OR REVELATION OF WHICH IN ANY MANNER TO AN UNAUTHORIZED PERSON IS PROHIBITED BY LAW

~~CONFIDENTIAL~~

~~CONFIDENTIAL~~

GENERAL DYNAMICS|ASTRONAUTICS

REPORT NO. AE60-0653

6 DECEMBER 1961

and outlet (F7715T, F7717P) ducts. The effectiveness of the LN<sub>2</sub> coaxial shroud around the helium charge line to the missile will be obtained by a temperature instrument at the missile riseoff disconnect (F7745T). Instrument air regulation will be exhibited by a pressure measurement (F7727P).

Liquid nitrogen is loaded into the shrouds surrounding each missileborne tank pressurization sphere. As liquid nitrogen is a critical commodity in the silo, the amount of liquid nitrogen flowing from the storage tank (F7719R) will be measured. Since liquid flow rate is sensitive to pressure drops in the system, pressure instrumentation in the missile LN<sub>2</sub> riseoff disconnect (F7020P) and missile LN<sub>2</sub> shroud (F7713P) will verify system design criteria.

The Helium Charge Unit (HCU) keeps the missileborne tank pressurization bottles fully charged during missile elevation and countdown. The ability of the HCU to maintain pressure in the missileborne spheres and the amount of helium utilized will be monitored by pressure (F7735P) and temperature (F7736T) instrumentation in the HCU discharge line. HCU response and deadband will be exhibited by pressure and temperature measurements in the missile fuel tank ullage pressure sensing line (F7737P, F7738T).

The Pressure Control Unit (PCU) maintains missile tank pressures at all times except during missile elevation and flight. The pressure at which helium is supplied to the missile by the PCU will be determined by pressure measurements in each pressurization line (F7729P, F7730P). Temperature instrumentation in the PCU pressurization ducts (F7017T, F7018T) will exhibit the condition of the gas. Pressure measurements in the LOX and Fuel tank pressurization ducts at the riseoff disconnects (F7013P, F7006P) will indicate the magnitude of pressure losses to be expected in the pressurization lines.

D. GASEOUS NITROGEN PRESSURIZATION

Gaseous nitrogen pressurizes the fuel, liquid oxygen, and liquid nitrogen storage tanks, and the liquid oxygen topping tank to enable propellant transfer. Gaseous nitrogen is also supplied to the nitrogen control unit (NCU) and the pneumatic distribution unit (PDU) to perform various service functions.

PAGE NO. 2-9

THIS MATERIAL CONTAINS INFORMATION AFFECTING THE NATIONAL DEFENSE OF THE UNITED STATES WITHIN THE MEANING OF THE ESPIONAGE LAWS, TITLE 18, U.S.C., SECTIONS 793 AND 794, THE TRANSMISSION OR REVELATION OF WHICH IN ANY MANNER TO AN UNAUTHORIZED PERSON IS PROHIBITED BY LAW

~~CONFIDENTIAL~~

~~CONFIDENTIAL~~

GENERAL DYNAMICS | ASTRONAUTICS

REPORT NO. AE60-0653

6 DECEMBER 1961

As gas supplies are a critical item in the silo concept, the pressure (P7546P) and temperature (P7547T) of the gas from the nitrogen bank supplying the NCU, PDU, and fuel prefab will be monitored to provide gas usage and system adequacy information. The LOX storage tanks GN<sub>2</sub> supply pressure will be measured at the bottle manifold (P7056P). Ullage and pressurization line pressure measurements for the main LOX (P7549P, P7710P) and topping (P7709P, P7711P) storage tanks, in conjunction with LOX storage tank vent valve position (P7223X, P7236X) and pressurization valve inlet pressure (P7972P) information will determine over-all system performance.

### AIR CONDITIONING

#### A. FACILITY HEATING, VENTILATING AND AIR CONDITIONING

Proper functioning of the launch site depends on the ability of the air conditioning system to maintain a proper environment for all equipment. An extensive temperature, humidity and air velocity survey will be made at OSTF-2. This will involve 40 total measurements distributed throughout the silo and launch control center. See Figures 13 and 14.

Some of the steady state parameters will be manually recorded using portable instruments. These are the air intake and exhaust temperatures of the electrical equipment cabinets located on level 3 of the silo, (N7621T through N7630T) and relative humidities in the silo and launch control building, (N7695J, N7800J, N7697J, N7801J and N7802J).

During various phases of testing, it may be desirable to measure temperatures and relative humidities at locations not specifically defined in this report. These portable instruments would also be available for this purpose.

Temperatures within ducts and other high air flow areas may change rapidly over a short period of time. In this case it would be desirable to record these on remote instruments. Measurements planned for remote recording are: N7579T through N7588T, N7597T through N7620T, N7646T and N7807T.

PAGE NO. 2-10

THIS MATERIAL CONTAINS INFORMATION AFFECTING THE NATIONAL DEFENSE OF THE UNITED STATES WITHIN THE MEANING OF THE ESPIONAGE LAWS, TITLE 18, U.S.C., SECTIONS 793 AND 794, THE TRANSMISSION OR REVELATION OF WHICH IN ANY MANNER TO AN UNAUTHORIZED PERSON IS PROHIBITED BY LAW

~~CONFIDENTIAL~~

~~CONFIDENTIAL~~

GENERAL DYNAMICS/ASTRONAUTICS

REPORT NO. AE60-0653

26 SEPTEMBER 1962

investigated. The engine compartment is supplied with air from a forced air heater located below the 8th level of the silo. To ensure that the missile engine compartment is receiving enough air at the proper temperature, the pressure and the temperature of the air will be measured. F7722P will determine the pressure and F7721T, the temperature.

Certain fluids and materials present in the engine compartment must be within a specified temperature range in order to have a satisfactory engine start. Among these items, the main engine hypergolic fluid (P7802T, P7803T, P7806T) and the hydraulic fluid to the sustainer engine actuators (P7181T, P7182T) will be instrumented.

### LAUNCH PLATFORM INSTRUMENTATION

During the raising and lowering tests of the launch platform, it will encounter both sustained and transient accelerations. The magnitudes and directions will be determined by N7842A through N7849A. See figure 18. During an actual launch, vibration data will be obtained with six  $\pm$  50G accelerometers in the following locations.

1. Flame deflector area (N7829A and N7830A)
2. Directly below the missile (N7831A, N7832A)
3. Fourth level of the launch platform (N7833A, N7834A)

### MISSILE LIFTING SYSTEM

#### A. GENERAL

The missile lifting system consists of AGE and facility equipment which support the missile in the Silo during standby and delivers it to the ready position for launching. It contains the following major subsystems used during countdown and launch.

1. Launch Platform Drive Mechanism
2. Launch Platform Lock System

PAGE NO. 2-11

THIS MATERIAL CONTAINS INFORMATION AFFECTING THE NATIONAL DEFENSE OF THE UNITED STATES WITHIN THE MEANING OF THE ESPIONAGE LAWS, TITLE 18, U.S.C., SECTIONS 793 AND 794, THE TRANSMISSION OR REVELATION OF WHICH IN ANY MANNER TO AN UNAUTHORIZED PERSON IS PROHIBITED BY LAW

~~CONFIDENTIAL~~



~~CONFIDENTIAL~~

GENERAL DYNAMICS|ASTRONAUTICS

REPORT NO. AE60-0653

26 SEPTEMBER 1962

3. Door Closure

4. Crib Lock

B. LAUNCH PLATFORM DRIVING MECHANISM

The drive mechanism consists of two 125 HP, 400v 60 cycle 3-phase motors, speed reducer, brake, drive cables, motor control center, and counterweight.

During the countdown cycle the drive mechanism is operated at high speed to get the missile in firing position within countdown time requirements. In order to stay within available power limitations the lowering cycle is accomplished at slow speed. Power limitations also require slow speed operation when hoisting the empty launcher platform.

PAGE NO. 2-12

THIS MATERIAL CONTAINS INFORMATION AFFECTING THE NATIONAL DEFENSE OF THE UNITED STATES WITHIN THE MEANING OF THE ESPIONAGE LAWS, TITLE 18, U.S.C., SECTIONS 793 AND 794, THE TRANSMISSION OR REVELATION OF WHICH IN ANY MANNER TO AN UNAUTHORIZED PERSON IS PROHIBITED BY LAW

~~CONFIDENTIAL~~

~~CONFIDENTIAL~~

GENERAL DYNAMICS | ASTRONAUTICS

REPORT NO. AE60-0653

6 DECEMBER 1961

design indicates use of linear potentiometer transducers. They would be affixed between the wall of the silo and the movable crib.

2. Six  $\pm$  4G accelerometers will be positioned as required for each test. These measurements are designated as "movable accelerometers" and are N7542A, N7543A, N7741A, N7742A, N7743A, and N7744A.
3. Four  $\pm$  20G accelerometers are also to be monitored: two on the first level of the crib (N7835A, N7836A); and two located between the first and second level of the crib (N7837A, N7838A).
4. One  $\pm$  5G accelerometer is to be located on the third level (N7839A); and another  $\pm$  5G accelerometer on the fifth level (N7840A).

Twelve alternate locations are planned for these same accelerometers. During the latter part of the drop test they will be moved to the following locations:

N7820A	Hydraulic Manifold	Figure 73218A
N7830A	Pipe out of Hydraulic manifold (L/P 2nd level)	Figure 73218A
N7831A	Umbilical Junction Box (L/P 2nd level)	
N7832A	Low speed motor, coupling actuator (Crib 1st level)	Figure 73214A
N7833A	L/P Lock Actuator (L/P 2nd level)	Figure 73219A
N7834A	Horizontal crib lock (crib, 1st level)	Figure 73213A
N7835A	Hydraulic Power Pack (Crib 2nd level)	Figure 73215A
N7836A	Hydraulic Pump motor mount (crib, 2nd level)	
N7837A	Optimum location to be selected	

PAGE NO 2-13

THIS MATERIAL CONTAINS INFORMATION AFFECTING THE NATIONAL DEFENSE OF THE UNITED STATES WITHIN THE MEANING OF THE ESPIONAGE LAWS TITLE 18, U.S.C., SECTIONS 793 AND 794 THE TRANSMISSION OR REVELATION OF WHICH IN ANY MANNER TO AN UNAUTHORIZED PERSON IS PROHIBITED BY LAW

~~CONFIDENTIAL~~

~~CONFIDENTIAL~~

GENERAL DYNAMICS | ASTRONAUTICS

REPORT NO. AE60-0653

6 DECEMBER 1961

N7838A AMF Logic Rack  
(small component X  
axis) optimum location  
to be selected.

N7839A Personnel Elevator,  
Drive motor mount

N7840A Chilled water pump  
(crib, 4th level)

Figure 73217A

### LOAD CELLS & FACILITY MISSILE

The facility missile will rest upon four load cells (N7962S through N7965S) which will record both positive and negative forces to be imposed upon the main support longerons of the actual missile during raising and lowering operations.

The facility missile has springs around its thrust barrel section in order to more closely simulate the stiffness of an actual missile so that the same dynamic response will be obtained from external loads. In addition strain gages on each of the four springs (N7958S through N7961S) will act as backup measurements and also will be useful in determining dynamic loads. (See Illustration, Page 7-4.)

### ACCELERATION AND DEFLECTION MEASUREMENTS

Tests will be performed to determine if the missile will be adequately supported and properly stabilized during ascending and descending platform operations. As the launch platform is raised or lowered, two accelerometers on the missile nose (A7541A, A7542A) will sense the rate, direction and amplitude of the horizontal movements.

Two measurements will monitor missile vertical alignment in the X(A7828D) and Y(A7829D) axes. Pendulous type accelerometers will be utilized as these instruments have good sensitivity and accuracy. The accelerometer outputs will be integrated twice to obtain missile displacement information. These measurements will determine how much the missile shifts from the vertical during raising and lowering operations.

PAGE NO. 2-14

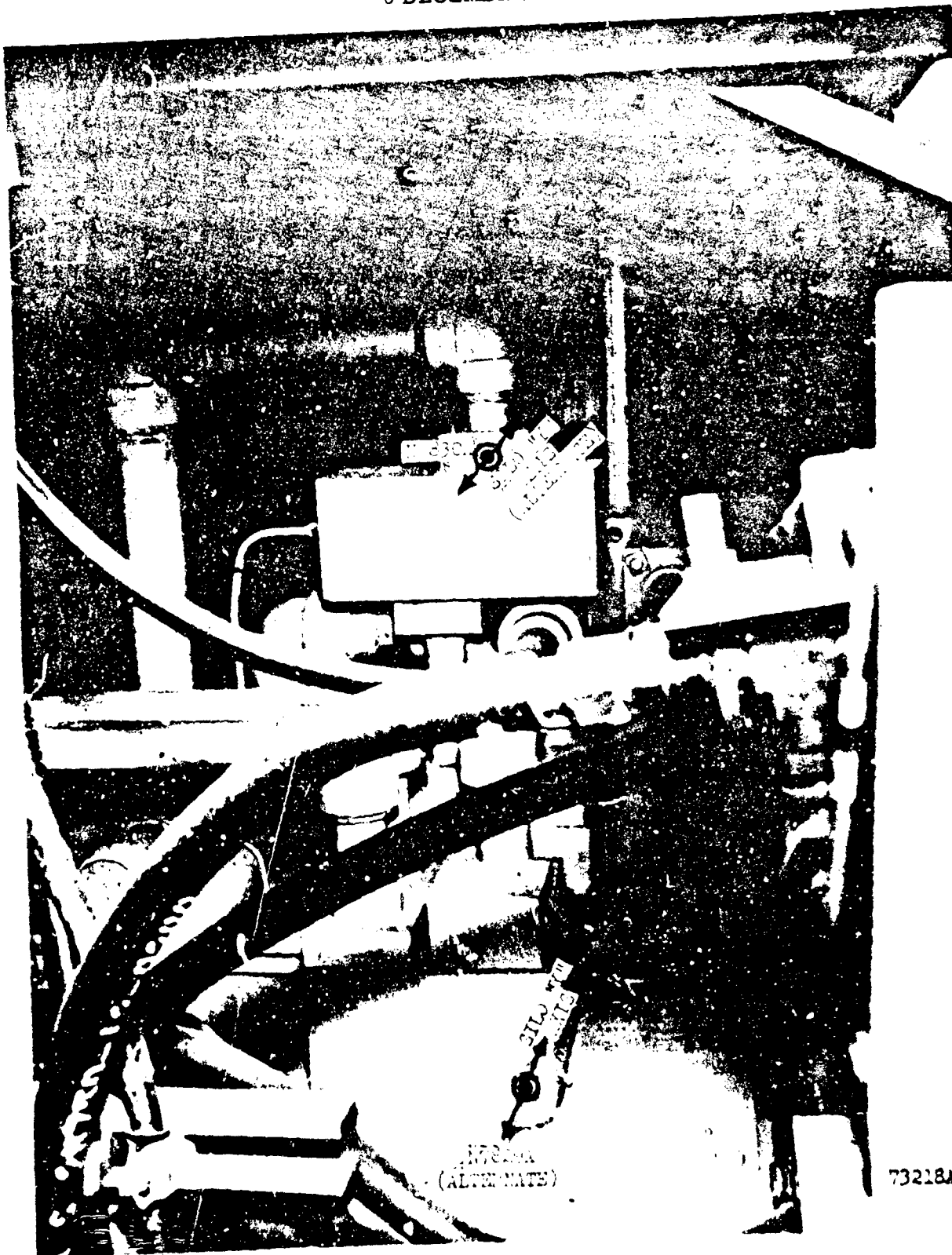
THIS MATERIAL CONTAINS INFORMATION AFFECTING THE NATIONAL DEFENSE OF THE UNITED STATES WITHIN THE MEANING OF THE ESPIONAGE LAWS, TITLE 18, U.S.C., SECTIONS 793 AND 794, THE TRANSMISSION OR REVELATION OF WHICH IN ANY MANNER TO AN UNAUTHORIZED PERSON IS PROHIBITED BY LAW

~~CONFIDENTIAL~~

~~CONFIDENTIAL~~

REPORT NO. AE60-0653

6 DECEMBER 1961



73218A

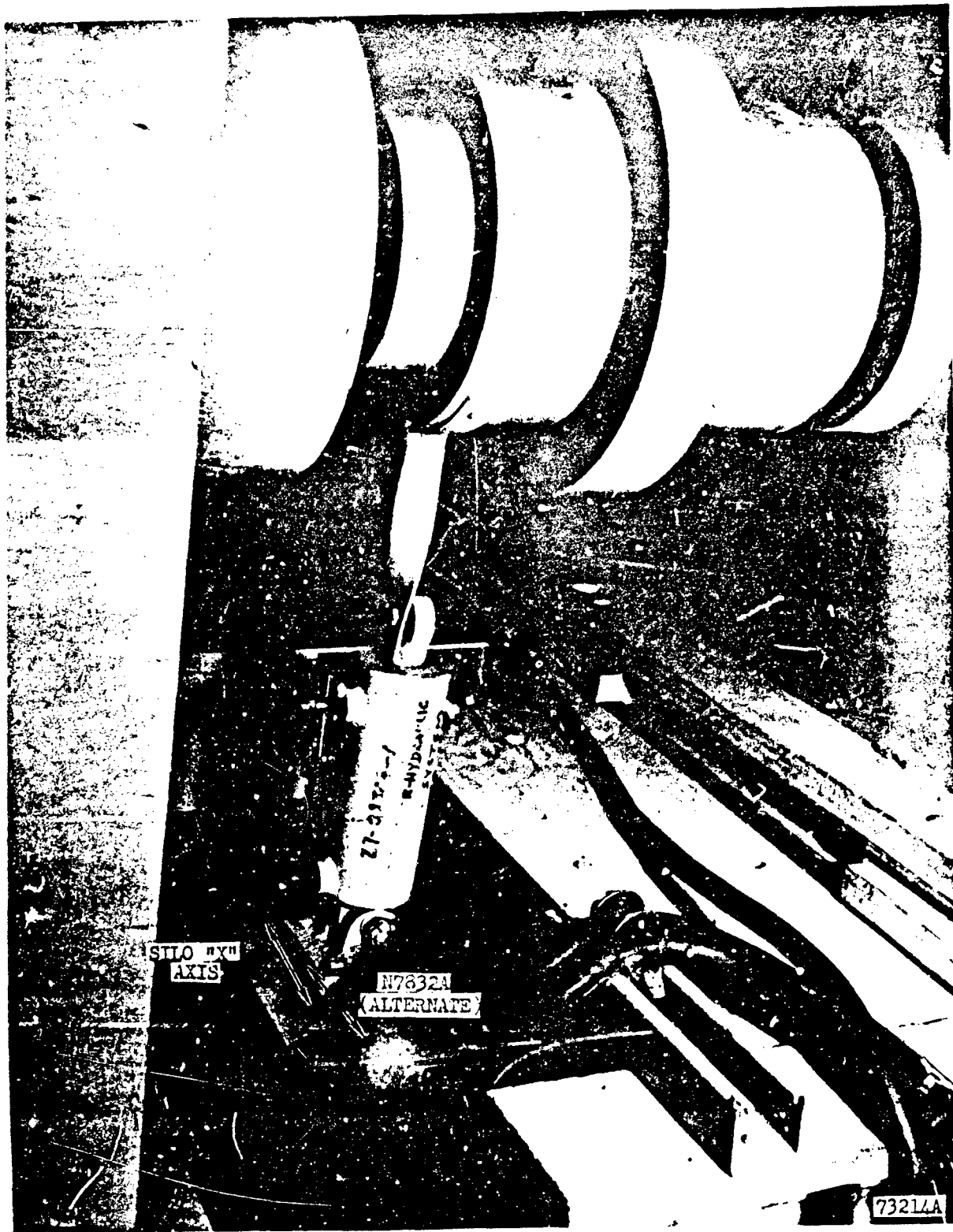
2-15

~~CONFIDENTIAL~~

~~CONFIDENTIAL~~

REPORT NO. AE60-0653

6 DECEMBER 1961

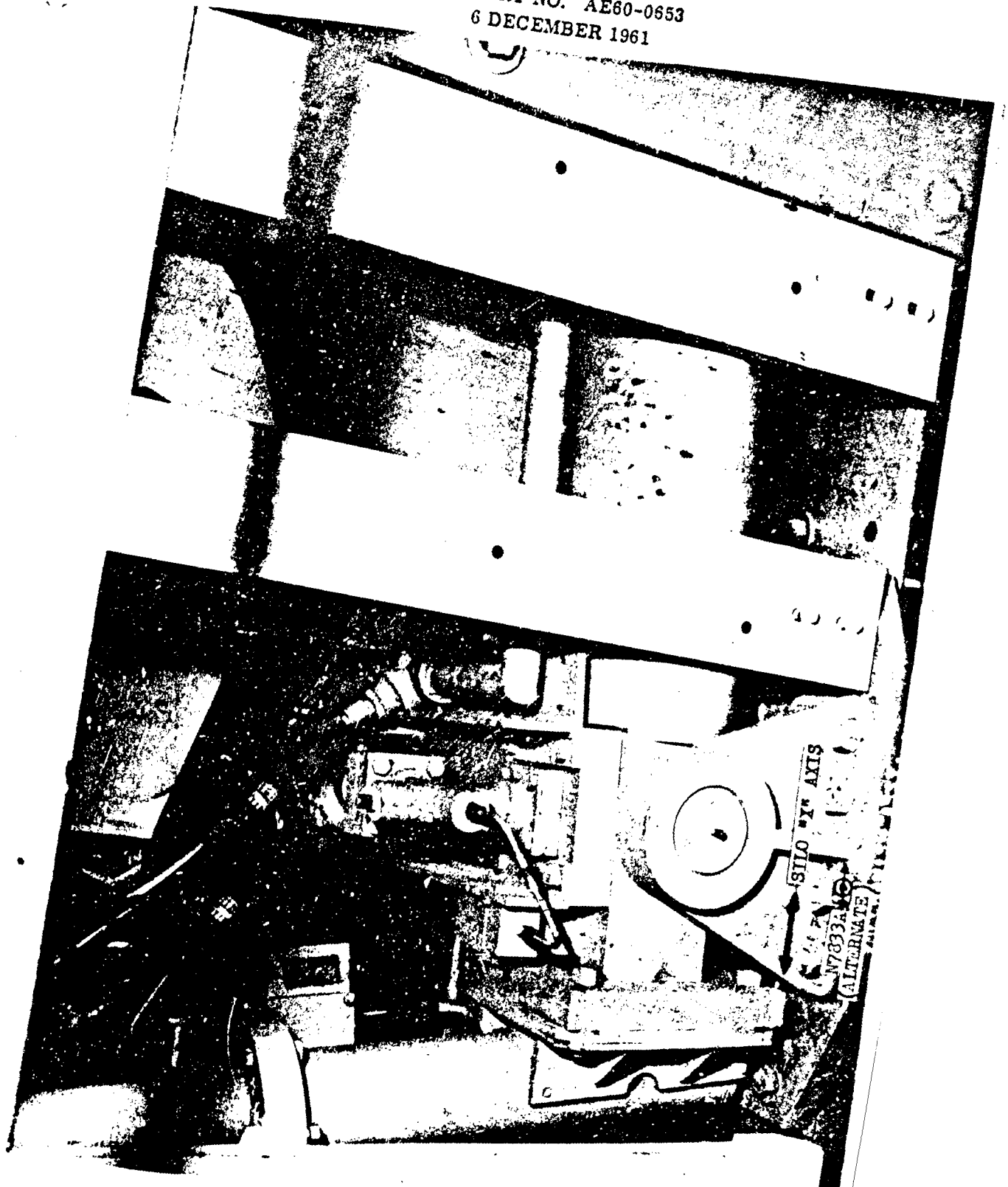


2-16

~~CONFIDENTIAL~~

~~CONFIDENTIAL~~

REPORT NO. AE60-0653  
6 DECEMBER 1961



2-17

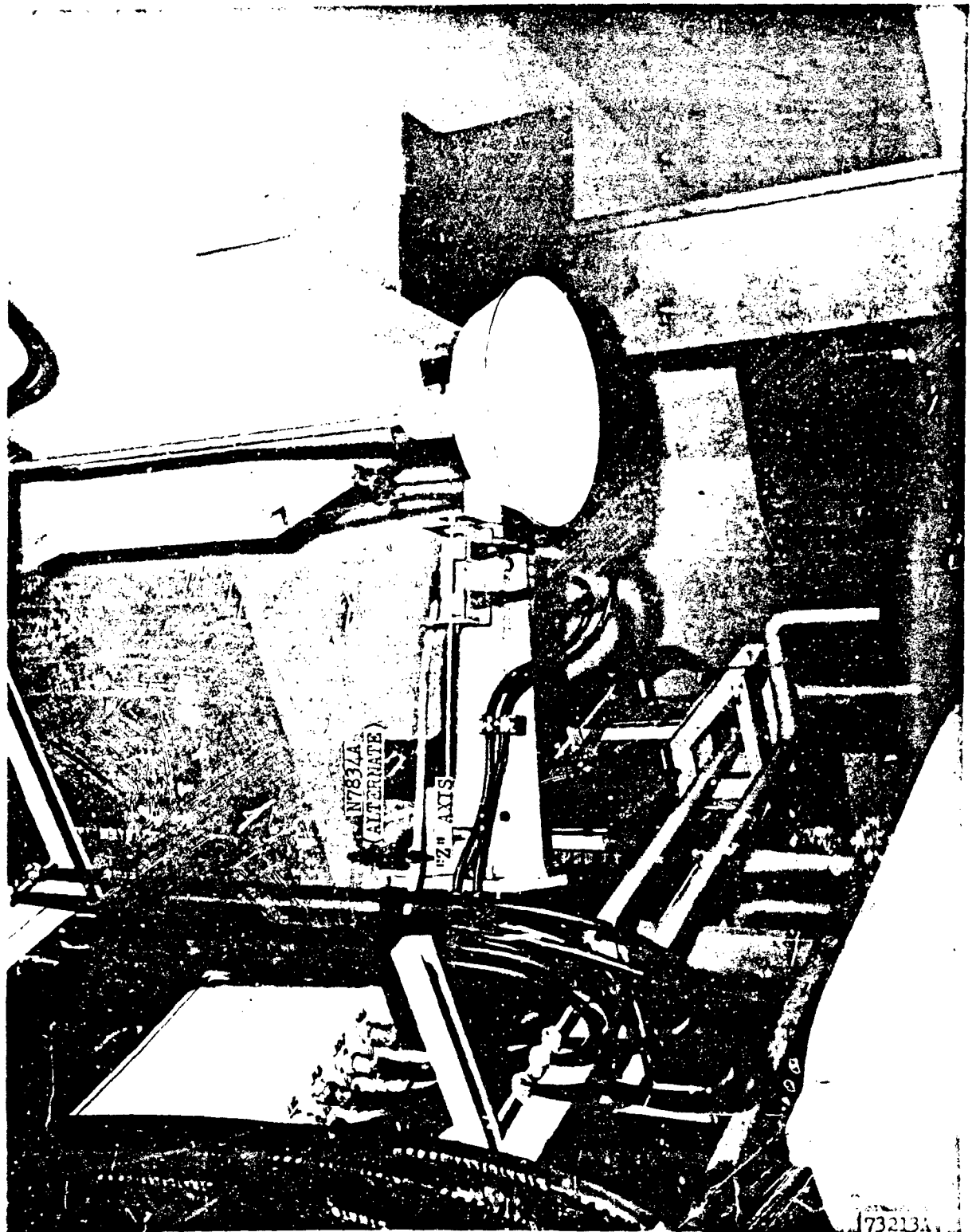
73219A

~~CONFIDENTIAL~~

~~CONFIDENTIAL~~

REPORT NO. AE60-0653

6 DECEMBER 1961



173213A

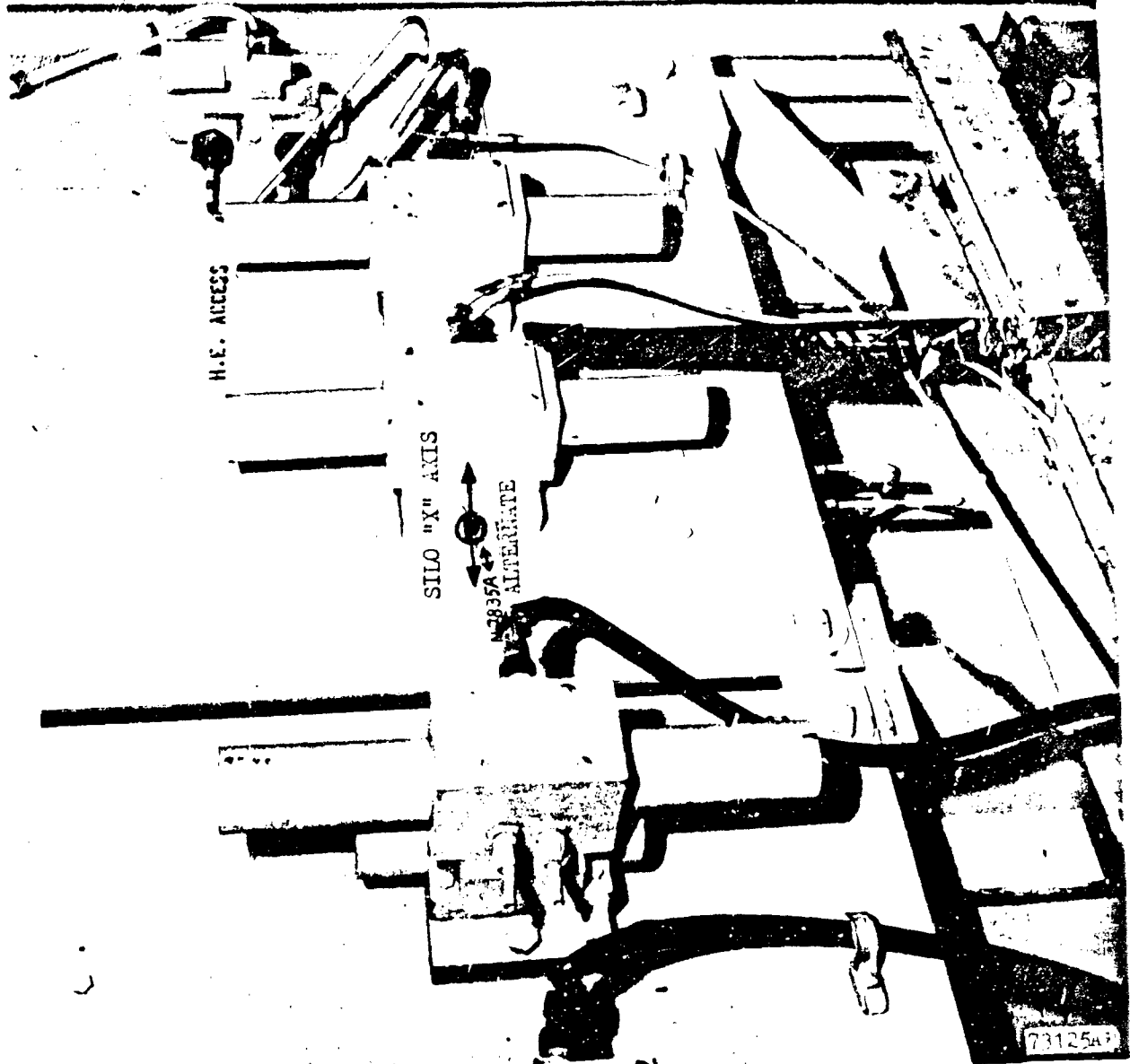
2-18

~~CONFIDENTIAL~~

~~CONFIDENTIAL~~

REPORT NO. AE60-0653

6 DECEMBER 1961



2-19

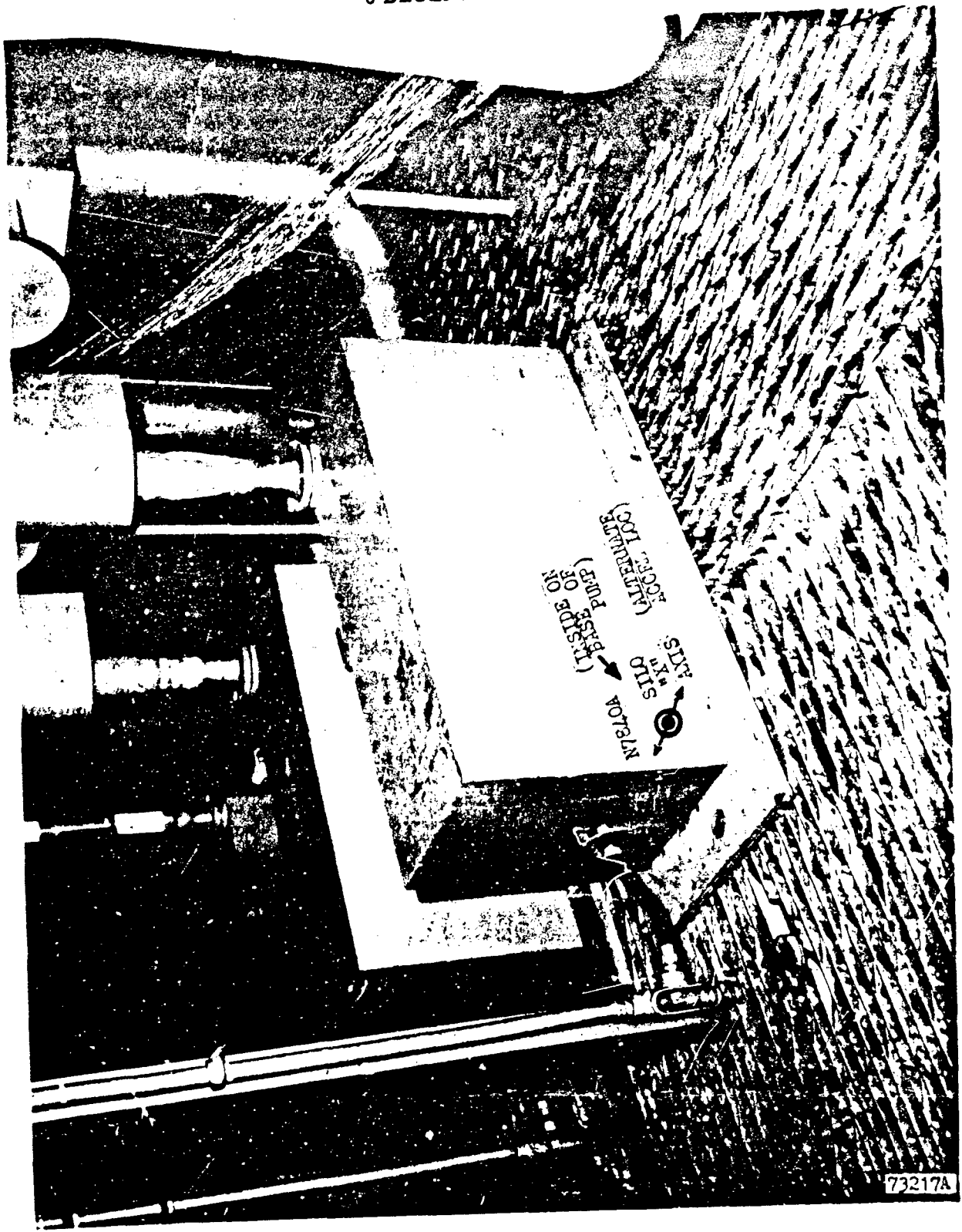
~~CONFIDENTIAL~~



~~CONFIDENTIAL~~

REPORT NO. AE60-0653

6 DECEMBER 1961



73217A

~~CONFIDENTIAL~~

~~CONFIDENTIAL~~

GENERAL DYNAMICS | ASTRONAUTICS

REPORT NO. AE60-0653

6 DECEMBER 1961

MISSILE LIFTING SYSTEM

A. GENERAL

The missile lifting system consists of AGE and facility equipment which support the missile in the Silo during standby and delivers it to the ready position for launching. It contains the following major subsystems used during countdown and launch.

1. Launch Platform Drive Mechanism
2. Launch Platform Lock System
3. Door Closure
4. Crib Lock

B. LAUNCH PLATFORM DRIVING MECHANISM

The drive mechanism consists of two 125 HP, 400 v 60 cycle 3-phase motors, speed reducer, brake, drive cables, motor control center, and counterweight.

During the countdown cycle the drive mechanism is operated at high speed to get the missile in firing position within countdown time requirements. In order to stay within available power limitations the lowering cycle is accomplished at slow speed. Power limitations also require slow speed operation when hoisting the empty launcher platform.

The integrity of the missile and the silo depend upon proper performance of the L/P drive mechanism. The ability of the system to function within the allotted time limit plus the capability of the system to develop the required forward and reverse torque for L/P control during rise will be obtained by monitoring L/P displacement (N7908D), motor torque (N7804F) and motor RPM (N7803B). Performance of the L/P braking system will be obtained by measuring the actuation signal (H7813X) and brake cylinder actuation pressure (H7529P).

PAGE NO. 2-21

THIS MATERIAL CONTAINS INFORMATION AFFECTING THE NATIONAL DEFENSE OF THE UNITED STATES WITHIN THE MEANING OF THE ESPIONAGE LAWS, TITLE 18, U.S.C., SECTIONS 793 AND 794, THE TRANSMISSION OR REVELATION OF WHICH IN ANY MANNER TO AN UNAUTHORIZED PERSON IS PROHIBITED BY LAW.

~~CONFIDENTIAL~~

~~CONFIDENTIAL~~

GENERAL DYNAMICS/ASTRONAUTICS

REPORT NO. AE60-0653

6 DECEMBER 1961

The drive cables are anchored to the tension equalizer and to the counterweight. A portable strain measuring device (N7923S) will be used to periodically check cable tension. The tension equalizer is a three bar linkage that enables loads to be distributed equally to the lift cables to compensate for varying conditions. Its displacement (N7935D) will be monitored to insure proper performance during L/P raising and lowering operations.

The most critical portion of Launch Platform displacement is prior to reaching the up-lock or down-lock strikers. The Launch Platform is to be stopped in approximately 13 inches of travel at creep (1 inch/sec) speeds. High accuracy measurements of velocity will be monitored during the last 7 inches of up (N7980L, N7981L) or down (N7982L) travel, with observer cut-off capability in the event of a malfunction.

Counterweight vertical (N7912A), lateral (N7913A) and transverse (N7914A) acceleration will be monitored in conjunction with launch platform vertical displacement (N7908D) to establish impact loading, counterweight wobble, and counterweight/launch platform alignment.

#### LAUNCHER PLATFORM LOCKING SYSTEM

The Launcher Platform Lock System consists of mechanical locks at the third level of the launcher platform which lock against strikers on the crib at both the lower and raised positions of the launcher platform. Each of the locks has two hydraulic cylinders, one of which is the lock actuator, the other drives a wedge to hold the lock actuator in locked position. Hydraulic power is supplied through the umbilical loop by the Missile Lift Hydraulic Power System.

Performance of the launch platform locks and wedge locks, and any resulting peak cylinder pressures will be obtained by monitoring their closing (locking) pressures (H7516P, H7528P) and main lock opening (H7976P) pressure. Solenoid valve actuation (H7807X, H7812X) will provide event start and stop times for pressure versus time data.

PAGE NO. 2-22

THIS MATERIAL CONTAINS INFORMATION AFFECTING THE NATIONAL DEFENSE OF THE UNITED STATES WITHIN THE MEANING OF THE ESPIONAGE LAWS, TITLE 18, U.S.C., SECTIONS 793 AND 794, THE TRANSMISSION OR REVELATION OF WHICH IN ANY MANNER TO AN UNAUTHORIZED PERSON IS PROHIBITED BY LAW.

~~CONFIDENTIAL~~

~~CONFIDENTIAL~~  
GENERAL DYNAMICS|ASTRONAUTICS

REPORT NO. AE60-0653  
6 DECEMBER 1961

DOOR CLOSURE SYSTEM

The Door Closure System consists of two breakaway hydraulic cylinders and one door closure hydraulic cylinder for each of the two doors. Each door operates separately from the other door except for control interlocks which insure proper logic sequence. These same interlocks are also tied into the launcher platform drive mechanism logic units.

Solenoid pilot valve activation (H7805X, H7806X, H7810X, H7811X) for each door (open and close) and head end (opening) pressures (H7981P, H7982P) will be monitored to determine pressure vs time data for system performance and sequencing. Cylinder rod end pressures (H7975P, H7986P) will also be measured to determine peak pressures and snubbing action as the doors reach the extremes of travel while opening. Door angular position (H7987D, H7988D) will be taken for tracking studies and correlation with L/P travel for proper sequencing.

CRIB LOCKING SYSTEM

The Crib Lock System consists of three hydraulic actuators for the horizontal crib locks and four hydraulic actuators for the vertical crib locks. The functions of the crib locks are to lock out the crib shock mounts (springs) and align the crib centerline with the silo centerline during the countdown. Actuating pressures for the horizontal (H7515P) and vertical (H7969P) locks will be monitored to determine peak cylinder pressures. In conjunction with this the solenoid pilot valve position for the horizontal (H7202X, H7203X) and vertical (H7809X, H7816X) locks will be monitored to provide base line data for cylinder pressures recorded.

FACILITY HYDRAULIC POWER SYSTEM

The Facility Hydraulic Power System consists of a bank of accumulators, two electric motor-driven hydraulic pumps to resupply the accumulators and hydraulic distribution lines.

The bank includes filled hydraulic accumulators and GN<sub>2</sub> bottles at 4000 psig. At "Start Countdown," the GN<sub>2</sub> bottles are used to pressurize the hydraulic bottles. All hydraulic power for the facility equipment during the countdown is supplied by accumulators. The

PAGE NO. 2-23

THIS MATERIAL CONTAINS INFORMATION AFFECTING THE NATIONAL DEFENSE OF THE UNITED STATES WITHIN THE MEANING OF THE ESPIONAGE LAWS, TITLE 18, U.S.C., SECTIONS 793 AND 794, THE TRANSMISSION OR REVELATION OF WHICH IN ANY MANNER TO AN UNAUTHORIZED PERSON IS PROHIBITED BY LAW.

~~CONFIDENTIAL~~

~~CONFIDENTIAL~~

GENERAL DYNAMICS/ASTRONAUTICS

REPORT NO. AEG0-0653

6 DECEMBER 1961

door opening cylinders have their own independent accumulators, the remaining items of the facility being supplied by a main system accumulator. System testing is not practical until installation is completed.

In order to evaluate the adequacy of hydraulic fluid and gas supplies to provide sufficient power during the countdown, pressure measurements in the main system accumulator (H7507P) and door opening accumulators (H7508P, H7509P) will be taken.

### HYDRAULIC PUMPING UNIT

The Hydraulic Pumping Unit is installed on the launch platform. It provides fluid pressure to the missile hydraulic system through two independent pumping systems before the missile pumps start. The unit contains a common reservoir, pump-drive motor and controls. Fin-tube and fan type oil coolers are used. Semi-automatic, the unit contains most of the logic needed for its operation, with a minimum of electrical signals interfacing the Launch Control Center.

The first stage pumping system serves the booster engines and the second stage serves the sustainer and vernier engines. Both stages are rated at 8 gpm at 3000 psig. Before engine start the following functions are performed by this unit:

1. Provide pressure and flow to the missile hydraulic systems until engines are started and the missile booster and sustainer hydraulic pumps are working.
2. Fill and bleed the missile hydraulic system.
3. Provide pressure and flow for hydraulic or autopilot system testing.
4. Remove a fixed volume of oil (65 cu in) from each missile system fluid tank prior to engine start.

Temperature measurements of the booster (H7531T) and sustainer (H7532T) return lines will be monitored to insure that hydraulic fluid is maintained at the proper temperature.

PAGE NO. 2-24

THIS MATERIAL CONTAINS INFORMATION AFFECTING THE NATIONAL DEFENSE OF THE UNITED STATES WITHIN THE MEANING OF THE ESPIONAGE LAWS, TITLE 18, U.S.C., SECTIONS 793 AND 794, THE TRANSMISSION OR REVELATION OF WHICH IN ANY MANNER TO AN UNAUTHORIZED PERSON IS PROHIBITED BY LAW.

~~CONFIDENTIAL~~

~~CONFIDENTIAL~~

GENERAL DYNAMICS | ASTRONAUTICS

REPORT NO. AE60-0653

6 DECEMBER 1961

The capability of the HPU to provide and maintain hydraulic pressure to the missile will be obtained by taking pressure measurements in the booster (H7501P, H7502P) and sustainer (H7503P, H7504P) pressure and return lines.

FACILITY POWER

In order to obtain a power profile for operational sites several facility power measurements are being made. At present only estimated requirements are available for planning new sites. Factual information on power demands is needed. To do this HI-LINE POWER (N7952E) is measured for total power consumption, INSTR-BLDG POWER (N7953E) is measured for instrumentation building power consumption, and the UTILITY BLDG POWER (N7954E) for utility building power consumption. The instrumentation building power plus the utility building power subtracted from the total power gives the remaining power consumed by other areas. The 400 CYCLE POWER (N7974E) and 28 VDC LOAD CURRENT (N7975C) are taken to indicate the power consumed by these important electric power generating systems.

The power measurements shall be taken according to the following:

N7952E - OSTF 2 Hi-Line Power. The power will be measured on a portable type recording wattmeter. The site subcontractor shall be responsible for obtaining and installing the necessary potential and current transformers in the site substations and connections to the wattmeters. Some means either electrically or physically shall be used to correlate the recording to real time. The chart speed shall be two (2) inches per hour.

N7953E - OSTF 2, Instrumentation Bldg. Power. These measurements shall be taken with portable clamp-on type ammeters and portable voltmeters. They need not be continuously recorded measurements but spot checks will be taken during the normal work day and logged with respect to real time so that an average power consumption may be computed.

N7954E - OSTF 2, Utility Bldg. Power. These measurements shall be taken in accordance with the same procedures as outlined for the Instrumentation Bldg. Power.

N7974E - OSTF 2, 400 Cycle Power. The power requirements shall be measured on the 60 cycle feeder of the motor-alternators. The measurements shall be taken on a portable type

PAGE NO. 2-25

THIS MATERIAL CONTAINS INFORMATION AFFECTING THE NATIONAL DEFENSE OF THE UNITED STATES WITHIN THE MEANING OF THE ESPIONAGE LAWS, TITLE 18, U.S.C., SECTIONS 793 AND 794, THE TRANSMISSION OR REVELATION OF WHICH IN ANY MANNER TO AN UNAUTHORIZED PERSON IS PROHIBITED BY LAW.

~~CONFIDENTIAL~~

~~CONFIDENTIAL~~

GENERAL DYNAMICS | ASTRONAUTICS

REPORT NO. AE60-0653

6 DECEMBER 1961

recording wattmeter. Potential and current transformers shall be supplied and installed by the subcontractor. Correlation to real time shall be provided on the charts. Chart speed shall be two (2) inches per hour.

N7975E - OSTF 2, 28 VDC Current. These measurements shall be obtained from the ammeter in the Launch Control power supply by the use of the shunt used for the control ammeter. They shall be recorded on suitable instruments within the Instrumentation Room.

The additional measurements required by objectives 001-13, 001-14, 001-15, 001-16 and 001-17 will also be done by a subcontractor specializing in electrical power measurements. These measurements in addition to all of the above measurements, comprise a complete power profile of the site.

PAGE NO. 2-26

THIS MATERIAL CONTAINS INFORMATION AFFECTING THE NATIONAL DEFENSE OF THE UNITED STATES WITHIN THE MEANING OF THE ESPIONAGE LAWS, TITLE 18, U.S.C., SECTIONS 793 AND 794, THE TRANSMISSION OR REVELATION OF WHICH IN ANY MANNER TO AN UNAUTHORIZED PERSON IS PROHIBITED BY LAW.

~~CONFIDENTIAL~~

~~CONFIDENTIAL~~

GENERAL DYNAMICS/ASTRONAUTICS

REPORT NO. AE60-0653

6 JULY 1962

REVISION "D" CHANGES - FACILITY

The information contained under Discussion of Facility Instrumentation, Section II should be referred to for description of reasoning used in establishing system instrumentation configuration.

The text is still applicable except as amended below.

Launch Control

The following sequence measurements have been added via Launch Control in order to obtain data in the event of a failure:

N7046X	SILO DOORS OPEN
N7047X	SILO DOORS CLOSED
N7500X	ZONE CHECK LIMIT SWITCH CLOSED
N7501X	1000 IN LIMIT SWITCH CLOSED
N7502X	HIGH SPEED DECELERATION SWITCH CLOSED
N7503X	UPPER OVERSPEED ZONE LIMIT SWITCH CLOSED
N7504X	OVERSPEED SENSOR ENERGIZED
N7505X	BOILOFF VALVE CLOSED
N7506X	DIFFERENTIAL PRESSURE NOT LOW
N7507X	MISSILE LIFT COMMIT START
N7508X	AUTOMATIC
N7509X	READY FOR COMMIT
N7510X	POWER TO INTERNAL
N7511X	POWER TO EXTERNAL
N7512X	COMMIT LOCKUP
N7513X	MISSILE LIFT DOWN & LOCKED
N7514X	AUTOPILOT ON-AMBER
N7515X	LOWER FUEL TANK PRESSURE
N7516X	RAISE FUEL TANK PRESSURE

PAGE NO. 2-27

THIS MATERIAL CONTAINS INFORMATION AFFECTING THE NATIONAL DEFENSE OF THE UNITED STATES WITHIN THE MEANING OF THE ESPIONAGE LAWS, TITLE 18, U.S.C., SECTIONS 793 AND 794, THE TRANSMISSION OR REVELATION OF WHICH IN ANY MANNER TO AN UNAUTHORIZED PERSON IS PROHIBITED BY LAW

~~CONFIDENTIAL~~



~~CONFIDENTIAL~~

GENERAL DYNAMICS | ASTRONAUTICS

REPORT NO. AE60-0653

6 JULY 1962

N7517X	GUIDANCE FAIL MARGINAL
N7518X	AUTOPILOT FAIL MARGINAL
N7519X	FLIGHT PROGRAMMER SAFE
N7520X	INSTRUMENT AIR BELL 50
N7521X	AUTOPILOT FAIL
N7522X	HELIUM VALVE 14 OPEN
N7523X	DC AT MISSILE
N7524X	RE-ENTRY VEHICLE BATTERY TEMP
N7525X	VENT HELIUM BOTTLES
N7526X	HYDRAULIC PRESSURE
N7527X	GUIDANCE FAIL
N7528X	MISSILE LIFT UP & LOCKED
N7529X	PNEUMATICS INTERNAL - GREEN
N7530X	PNEUMATICS PHASE 2 - AMBER
N7531X	HELIUM LOAD - AMBER
N7532X	PROGRAMMER ARMED - AMBER
N7533X	ENGINE START - AMBER
N7534X	GUIDANCE COMMIT - GREEN
N7535X	POWER INTERNAL - GREEN
N7536X	AUTOPILOT TEST - AMBER
N7537X	GUIDANCE READY - AMBER
N7984X	MISSILE AWAY
N7985X	MISSILE ON STAND
N7048X	POD HEATER 2 RATE GYRO

SILO AMBIENT PRESSURE INSTRUMENTATION

Six ambient pressure measurements have been added to record ambient pressure at different levels in the silo during a launch. These measurements are N7230P through N7235P. In the event of an over-pressure during launch resulting in damage to the silo structure or ducting, the above measurements would provide a criteria for redesign.

PAGE NO. 2-28

THIS MATERIAL CONTAINS INFORMATION AFFECTING THE NATIONAL DEFENSE OF THE UNITED STATES WITHIN THE MEANING OF THE ESPIONAGE LAWS, TITLE 18, U.S.C., SECTIONS 793 AND 794, THE TRANSMISSION OR REVELATION OF WHICH IN ANY MANNER TO AN UNAUTHORIZED PERSON IS PROHIBITED BY LAW.

~~CONFIDENTIAL~~

~~CONFIDENTIAL~~

GENERAL DYNAMICS | ASTRONAUTICS

REPORT NO. AE50-0653

6 JULY 1962

BENDIX INVERTER INSTRUMENTATION

Three temperature measurements, E7010T, E7011T, and E7012T, have been added to a Bendix Inverter on Missile 83F. These measurements will provide data for failure analysis of Bendix Inverters under normal operating conditions. Normal operating conditions could not be exactly simulated in the lab so that a failure of the Bendix Inverter resulted. Since Bendix Inverters have failed in the field, it is desirable to obtain data on their operation under normal operating conditions.

TRAILING WIRE INSTRUMENTATION

The following measurements have been added via a trailing wire umbilical.

A1217P	HEAT SHIELD DIFFERENTIAL PRESSURE QUAD 2
A1218P	HEAT SHIELD DIFFERENTIAL PRESSURE Y-Y AXIS
A1219P	HEAT SHIELD DIFFERENTIAL PRESSURE QUAD 1
A1220P	HEAT SHIELD DIFFERENTIAL PRESSURE QUAD 3
A1194T	HEAT SHIELD FORWARD QUAD 4
A1195T	HEAT SHIELD FORWARD QUAD 2
A1780Y	ARMA POD ACOUSTIC COMPARTMENT
F1145P	SUSTAINER CONTROL HELIUM BOTTLE DISCHARGE
F1247T	BOOSTER TANK HELIUM BOTTLE
F1290T	SUSTAINER CONTROL HELIUM BOTTLE
P1529D	SUSTAINER MAIN LOX VALVE
P1830D	SUSTAINER FUEL VALVE POSITION
P1206O	SUSTAINER ENGINE LOX DOME
P1208O	B1 ENGINE LOX DOME
P1209O	B2 ENGINE LOX DOME
P1002P	B1 FUEL PUMP INLET
P1006P	SUSTAINER THRUST CHAMBER
P1038P	B2 FUEL PUMP DISCHARGE
P1039P	B1 FUEL PUMP DISCHARGE
P1056P	SUSTAINER LOX PUMP INLET
P1059P	B2 THRUST CHAMBER
P1060P	B1 THRUST CHAMBER
P1091P	B1 LOX INJECTOR MANIFOLD

PAGE NO. 2-29

THIS MATERIAL CONTAINS INFORMATION AFFECTING THE NATIONAL DEFENSE OF THE UNITED STATES WITHIN THE MEANING OF THE ESPIONAGE LAWS, TITLE 18, U.S.C., SECTIONS 793 AND 794, THE TRANSMISSION OR REVELATION OF WHICH IN ANY MANNER TO AN UNAUTHORIZED PERSON IS PROHIBITED BY LAW

~~CONFIDENTIAL~~

~~CONFIDENTIAL~~

GENERAL DYNAMICS/ASTRONAUTICS

REPORT NO. AE60-0653

6 JULY 1962

P1092P	B2 LOX INJECTOR MANIFOLD
P1155P	B1 GAS GENERATOR COMBUSTOR
P1184P	B2 GAS GENERATOR COMBUSTOR
P1200P	ENGINE COMPARTMENT AMBIENT
P1337P	SUSTAINER GAS GENERATOR LOX INJECTOR MANIFOLD
P1351P	SUSTAINER LOX INJECTOR MANIFOLD
P1463P	SUSTAINER GAS GENERATOR FUEL INJECTOR MANIFOLD
P1325T	ENGINE COMPARTMENT AMBIENT
P1530T	SUSTAINER LOX PUMP INLET
P1711T	B1 NACELLE AMBIENT
P1712T	B2 NACELLE AMBIENT
P1051Y	ENGINE COMPARTMENT ACOUSTIC

The measurements listed above were chosen to provide data on problem areas of the different missile systems. The trailing wire umbilical consists of an eighty-five wire cable which is explosively ejected from the missile upon receipt of an electrical signal which occurs after approximately forty feet of missile travel. Should the cable not be ejected electrically, a mechanical lanyard provides a means of backup. A trailing wire cable was devised in order to provide additional means of obtaining missile parameter data during critical portions of the launch sequence. With the trailing wire cable, data may be obtained while raising the missile to its launch position as well as through engine ignition and liftoff. These areas of the launch sequence usually cannot be obtained until the missile is airborne and after which, all missile parameter launch control data is lost.

PAGE NO. 2-30

THIS MATERIAL CONTAINS INFORMATION AFFECTING THE NATIONAL DEFENSE OF THE UNITED STATES WITHIN THE MEANING OF THE ESPIONAGE LAWS, TITLE 18, U.S.C., SECTIONS 793 AND 794, THE TRANSMISSION OR REVELATION OF WHICH IN ANY MANNER TO AN UNAUTHORIZED PERSON IS PROHIBITED BY LAW.

~~CONFIDENTIAL~~

~~CONFIDENTIAL~~

REPORT NO. AE60-0653

GENERAL DYNAMICS/ASTRONAUTICS

PAGE NO. 3-1

12 JULY 1961

DATA GATHERING SYSTEMS

I. GENERAL

The landline instrumentation system will provide visual indication and recordings in the Launch Operations Building of physical and electrical parameters originating at the various ground support equipment, missile and associated launch control equipment. The system will provide magnetic tape recording for subsequent playback. The system will have a programming flexibility such that the measurements and recordings channels can be rapidly changed from test to test.

II. FM MAGNETIC TAPE RECORDER

The FM recording system will consist of 72 channels recorded on 12 magnetic tape tracks. One tape transport will provide continuous recording at 60 inches per second. The tape transport will accommodate either 10-1/2 or 14 inch reels, providing 9 and 21 minutes, respectively, of recording time. The frequency response will extend to 2100 CPS. Accessory information consisting of voice, timing, control tones and speed-lock will be recorded on tape track 7. A limited "on-site" playback capability for FM data will be provided as an adjunct to the existing San Diego Data Processing Station.

III. DIGITAL

The digital system will provide magnetic tape recording of 20 channels of analog signals in digital form. It will supplement other basic recording methods in providing a system with greater resolution and accuracy. Commutation is by solid state and may be set in high, medium and low speeds to digitize from 66 times per second to 1 time per second. Signal conversion is performed with a 12 bit plus sign code for a full scale range of 999. In addition, a time code and record frame number may be recorded. The tape format will be compatible with the IBM 7090 computer. The digital system will be available for use for Part 2 testing.

THIS MATERIAL CONTAINS INFORMATION AFFECTING THE NATIONAL DEFENSE OF THE UNITED STATES WITHIN THE MEANING OF THE ESPIONAGE LAWS, TITLE 18, U.S.C., SECTIONS 793 AND 794, THE TRANSMISSION OR REVELATION OF WHICH IN ANY MANNER TO AN UNAUTHORIZED PERSON IS PROHIBITED BY LAW.

~~CONFIDENTIAL~~

12 JULY 1961

~~CONFIDENTIAL~~  
GENERAL DYNAMICS|ASTRONAUTICS

IV. GRAPHIC RECORDERS

The primary purpose of graphic recorders is to provide critical missile parameters in visual recorded fashion which will facilitate determining operational status of missile and ground systems prior to and during a firing. Data gathered by this means are also utilized to a limited extent for post-test analysis.

A. Oscillograph Recorders

Oscillographs are used to record functions requiring high frequency response but no real-time display. A photographic method of simultaneously recording channels on a light-sensitive paper is employed. This method provides response to 2000 CPS. The oscillograph to be used at OSTF #2 is a Heiland Visicorder with self-developing paper.

B. Sanborn Recorders

For functions requiring a higher response than is available from Brown recorders and real-time display as well, a "hot-stylus" passing over heat sensitive paper is used. The response of this type of recorder is 40 CPS.

C. Brown Recorders

Single channel Brown recorders will be used. The frequency response is low (1 CPS) and therefore limited to slowly varying functions. Information is easily read in real time. The accuracy of the Brown recorder is generally the highest of the available recorder types.

D. Sequence Recorders

In addition to analog and frequency measurement requirements, there are event type measurement requirements. Brush operations recorders will be used for this purpose. Each recorder has 100 pens on a single sheet of moving graph paper. The recorders will be used to monitor the activations and deactivations of various relays, switches and other types of sequence functions.

E

THIS MATERIAL CONTAINS INFORMATION AFFECTING THE NATIONAL DEFENSE OF THE UNITED STATES WITHIN THE MEANING OF THE ESPIONAGE LAWS TITLE 18, U.S.C., SECTIONS 793 AND 794, THE TRANSMISSION OR REVELATION OF WHICH IN ANY MANNER TO AN UNAUTHORIZED PERSON IS PROHIBITED BY LAW

~~CONFIDENTIAL~~

Graphic Recorder Capability

Oscillograph	6
Sanborn	24
Brown	18
Brush (event)	196

V. INSTRUMENTATION CALIBRATION

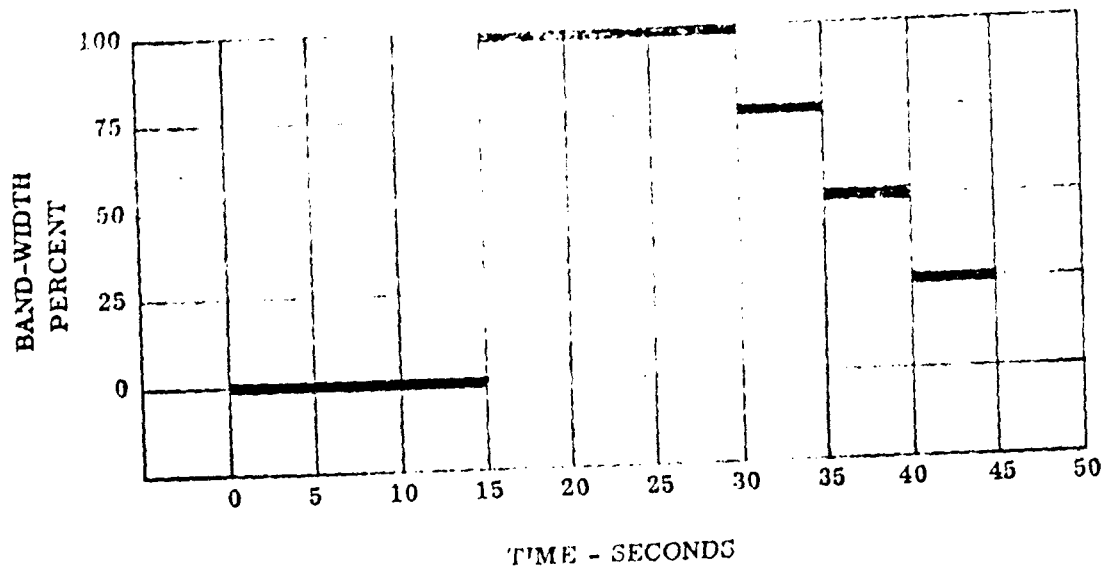
The calibration technique for instrumentation does away with the need for highly accurate calibration facilities at the site. The Standards Laboratory at Astronautics calibrates the transducers which convert the measurement sensed into an analog voltage equivalent. The linear relationship between measurement sensed and transducer voltage output is expressed in slope intercept form and transmitted to the test sites. With S1 and S2 as parameter levels, E<sub>1</sub> and E<sub>2</sub> corresponding transducer output levels, and

$$\frac{S_2 - S_1}{E_2 - E_1} = m$$

the slope of the calibration curve, any calibrated range can be established knowing m, the intercept b and the related units (i. e., PSI and volts, etc.). For landline recorder calibration, and to determine recording system linearity, electrical signals are recorded on each channel just prior to test data. These signals establish the lower and upper limit of the recorder range.

12 JULY 1961

~~CONFIDENTIAL~~  
GENERAL DYNAMICS | ASTRONAUTICS



The calibration signals are generated by the Excitation, Calibration and Normalization (ECAN) network. The ECAN also provides transducer excitation, source matching and signal normalization.

## VI. MISCELLANEOUS LAUNCH AREA DATA

In addition to the specific measurements discussed there are other special support data required, for back-up and supplementary use. This includes data which will be used for evaluating testing and establishing conditions under which the testing was performed. Also visual monitoring to gain sequential, documentary, and reliability data will be made possible through the media of closed circuit television, and motion pictures.

### A. Timing

At OSTF #2 when testing components and during normal countdowns, not involving a launch, a site installed timing generator which recycles at 900 seconds will

THIS MATERIAL CONTAINS INFORMATION AFFECTING THE NATIONAL DEFENSE OF THE UNITED STATES WITHIN THE MEANING OF THE ESPIONAGE LAW, TITLE 18, U.S.C. SECTIONS 793 AND 794. THE TRANSMISSION OR REVELATION OF WHICH IN ANY MANNER TO AN UNAUTHORIZED PERSON IS PROHIBITED BY LAW.

~~CONFIDENTIAL~~

~~CONFIDENTIAL~~

GENERAL DYNAMICS | ASTRONAUTICS

REPORT NO. AE60-0653

6 DECEMBER 1961

be utilized to provide time correlation. When a launch is conducted Range Timing will be used and will be recorded on FM tape for post-test analysis. An explanation of the 3-digit binary timing code which is used with both timing systems can be found on Fig. 22 in Section 7. This code is a 12-bit, 100 PPS, 1000 cycle amplitude modulated timing code. The time word is contained in the 12 bits, 4 bits for each of three digits contained in the time word, and the 100 PPS are amplitude modulated on a 1000 cps carrier. The AM modulation is 3.3 to 1 with the pulses at a 10 volt level and the no pulses at a 3 volt level. The three digits represent units, tens, and hundreds of seconds by using a binary-coded decimal (8-4-2-1). A reference pulse always appears first and indicates the beginning of the time word. The leading edge of this pulse is the point on the trace at which the time occurred. No other part of the time word is time coherent. To read the code one must recognize the difference in pulse widths of three types of pulses: the reference pulse is five units wide, a binary "1" is three units wide and a binary "0" pulse is one unit wide

B. Weather

Certain weather observations are to be made of surface conditions at the time that testing is being carried on to assist in establishing standard conditions for test to test correlation. These observations will consist of temperature, barometric pressure, relative humidity, wind speed and wind azimuth. The measurements of wind velocity will determine if the missile may be raised, or not, thus defining weather conditions hazardous to test fulfillment. This data will be taken by Air Force personnel.

C. Television

Seven T. V. cameras will be utilized at OSTF-2 to obtain data for Human Engineering evaluation. One camera (N7747N) will be installed in the launch control room to monitor the Launch Control operator and Console. Three cameras (N7751N, N7752N, N7753N) will be located at grade level around the silo cap to monitor crew operations such as resupply, missile mating, checkout. Movable T. V. cameras (N7748N, N7749N, N7750N) will be used at appropriate levels in the silo to observe crew functions during various tests.

PAGE NO. 3-5

THIS MATERIAL CONTAINS INFORMATION AFFECTING THE NATIONAL DEFENSE OF THE UNITED STATES WITHIN THE MEANING OF THE ESPIONAGE LAWS, TITLE 18, U.S.C., SECTIONS 793 AND 794, THE TRANSMISSION OR REVELATION OF WHICH IN ANY MANNER TO AN UNAUTHORIZED PERSON IS PROHIBITED BY LAW

~~CONFIDENTIAL~~



~~CONFIDENTIAL~~

GENERAL DYNAMICS | ASTRONAUTICS

REPORT NO. AE60-0653

6 DECEMBER 1961

D. Motion Picture Coverage

In order to verify the proper operation of the launch-platform-to-silo disconnect panels, two cameras (U7019N, U7020N) will be used. Four other cameras (L7009N, L7010N, L7011N, L7012N) will be located above ground to obtain data on umbilical ejections, and missile raising operations.

Alignment group tilt will be measured with a tilt monitoring display unit mounted directly to the alignment group. Pictures of the leveling bubbles, which are a part of this unit, will be obtained via movie cameras N7983N.

E. Audio Recordings

Kellogg Switchboard and Supply Company will provide 10 channels of magnetic tape recording for a permanent record of all intercommunications traffic.

F. A portable light meter (N7532D) and portable sound intensity meter (N75334Y) will be used at various levels in the silo for Human Engineering evaluation of environmental conditions.

VII. AIRBORNE DATA GATHERING SYSTEM

Each OSTF missile will have a factory installed Instrumentation and Range Safety System (IRSS) to provide data from which gross weapon system performance can be determined and to furnish a means for ground command missile destruction when necessary.

The airborne data system which will be employed is a PAM/FM/FM telemeter using an RF carrier which is modulated for information carrying purposes and also serves as an RF signal stimulus for two AME Cotar Ground stations. The Cotar system will provide a "real time" tracking input to the range safety network to indicate missile flight path with respect to predetermined limits.

PAGE NO. 3-6

THIS MATERIAL CONTAINS INFORMATION AFFECTING THE NATIONAL DEFENSE OF THE UNITED STATES WITHIN THE MEANING OF THE ESPIONAGE LAWS, TITLE 18, U.S.C., SECTIONS 793 AND 794. THE TRANSMISSION OR REVELATION OF WHICH IN ANY MANNER TO AN UNAUTHORIZED PERSON IS PROHIBITED BY LAW.

~~CONFIDENTIAL~~

~~CONFIDENTIAL~~

GENERAL DYNAMICS | ASTRONAUTICS

REPORT NO. AE60-0653

6 DECEMBER 1961

Sixty measurements of missile performance parameters are to be made via the IRSS telemeter. Astronautics is to provide the transducers, signal conditioning (except for the inertial guidance measurements), and cabling necessary for the selected measurements. Ground rules governing selection of the measurements included the following points.

- A. Only gross malfunction of major missile systems is of interest. (No measurement of an R&D nature is allowed.)
- B. Measurement changes will be held to a minimum.
- C. Installation and checkout of the measurements should be simple - inaccessible locations should be avoided.
- D. Minimum cost consistent with intent.

Report AZC-27-068 contains a detailed description of each of the selected measurements. Additional information, i. e., channel assignment, Astronautics installation drawing numbers, etc., is contained in the tabulations of the IRSS measurements, Sections 6 and 7 of that report.

PAGE NO. 3-7

THIS MATERIAL CONTAINS INFORMATION AFFECTING THE NATIONAL DEFENSE OF THE UNITED STATES WITHIN THE MEANING OF THE ESPIONAGE LAWS, TITLE 18, U.S.C., SECTIONS 793 AND 794, THE TRANSMISSION OR REVELATION OF WHICH IN ANY MANNER TO AN UNAUTHORIZED PERSON IS PROHIBITED BY LAW

~~CONFIDENTIAL~~

~~CONFIDENTIAL~~  
GENERAL DYNAMICS | ASTRONAUTICS

REPORT NO. AE50-0653  
6 DECEMBER 1961

This page intentionally left blank.

PAGE NO. 3-8

THIS MATERIAL CONTAINS INFORMATION AFFECTING THE NATIONAL DEFENSE OF THE UNITED STATES WITHIN THE MEANING OF THE ESPIONAGE LAWS, TITLE 18, U.S.C., SECTIONS 793 AND 794, THE TRANSMISSION OR REVELATION OF WHICH IN ANY MANNER TO AN UNAUTHORIZED PERSON IS PROHIBITED BY LAW.

~~CONFIDENTIAL~~

TABULATION OF OSTF-2 DATA SOURCES

1. Maintenance and Operational Logs
  - A. Maintenance Inspection Record (AFTO 26B)
  - B. Maintenance Discrepancy/Production Credit Record (AFTO 130C-4)
  - C. A/F Maintenance Log (MAB)
  - D. A/F Maintenance Log (PAD)
  - E. A/F Maintenance Log MAPCHE
  - F. Daily Maintenance Service Card A365-1
  - G. Preventative Maintenance Surveillance Daily Check-Off Sheet
  - H. Periodic Equipment Check Sheets
  - I. Rocketdyne GSE Log
  - J. Calibration Report, Form 576-3
  - K. Fluids and Gas Consumption
  - L. A/F Unsatisfactory Report and Supplement Sheet (AFTO Form 29 and 29a)
  
2. Change Report Forms
  - A. ECP's - Engineering Change Proposal, Form A78
  - B. EO's - Engineering Order, Form A1218
  - C. TCTO - Time Compliance Technical Order
  - D. Field Service Bulletin (Rocketdyne in House)
  - E. CIC Schedule Summary, Form A1379
  - F. Drawing Summary, Form A1378
  - G. DCB Change Summary, Form A1535
  - H. CIC Control Card, Form 576-4-66
  - I. ECP Status Card, Form 576-4-65
  - J. Request Change Form DAC 576-8-3-0
  - K. DWG Change Request, GE-MSVD
  
3. Inspection Report Forms
  - A. F&CD - Failure and Consumption Data Form CV-A-131, BMD 0-50 and Associate Contractor's F&CD
  - B. BOI's - Break of Inspection, Form A233

REPORT NO. AE60-0653

PAGE NO. 4-2

12 JULY 1961

~~CONFIDENTIAL~~  
GENERAL DYNAMICS/ASTRONAUTICS

- C. Temporary Removal Tag, Form A2313-2
  - D. Inspection Clean-up Sheet, Form A836
  - E. BOI Index
  - F. Assembly List Shortage Log, Form A1815
  - G. Desiccant Log
  - H. Leak Report Log
  - I. Engine Operating Time Log
  - J. Engine Log
  - K. Inspection Rejection Index, Form 280-156
  - L. AFTO Series 130 Forms
  - M. Inspection Missile Cleaning Log, Form 576-4-47
  - N. Component Installation Record - GSE/GOE/RPIE, Form 576-4-73
  - O. Transducer Installation Log, Form 576-4-14
4. Discrete Events (Completely Documented in Tabulations, Sections 8, 9 ).
- A. Valve Openings
  - B. Specific Countdown Events
  - C. Pressure Switch Sequence
  - D. Presence of Liquid and Liquid Levels
  - E. Communication System
5. Analog (Completely Documented in Tabulations, Sections 8, 9 ).
6. Digital (Completely Documented in Tabulations, Sections 8, 9 ).
7. MAPCHE (Tapes)
8. Visual Operation
- A. Meters
  - B. Lights
  - C. Contamination Survey  
Fluids Purity (GN<sub>2</sub>, Helium, Fuel, LOX) - Smith-Emery Company  
(SECO) Field Laboratory Report

THIS MATERIAL CONTAINS INFORMATION AFFECTING THE NATIONAL DEFENSE OF THE UNITED STATES WITHIN THE MEANING OF THE ESPIONAGE LAWS, TITLE 18, U.S.C., SECTIONS 793 AND 794. THE TRANSMISSION OR REVELATION OF WHICH IN ANY MANNER TO AN UNAUTHORIZED PERSON IS PROHIBITED BY LAW.

~~CONFIDENTIAL~~

~~CONFIDENTIAL~~

REPORT NO AE 60-0653

GENERAL DYNAMICS | ASTRONAUTICS

PAGE NO. 4-3

12 JULY 1961

9. Motion Picture Coverage

10. Television

General Surveillance

- A. LSB
- B. LOB Consoles

11. Auditory - Communication Ringing Alarm

12. PROCEDURES FORMS

- A. Personnel Performance Check List
- B. Interview Questionnaires (Post-Test Interview Form)
- C. Difficulty Summaries (Deviation/Difficulty Report)
- D. Summary Analysis Report
- E. Human Engineering Check List
- F. Deviation/Difficulty Log
- G. Safety Support Notation, Form A1560
- H. Supervisor's Report of Accident Investigation, Form A1066
- I. Field Service Report, Form A416

13. PERSONNEL SUBSYSTEMS FORMS

For a complete description, refer to Space Technology Laboratories, Inc., Document GM 6300.5-1060

14. RELIABILITY FORMS

- A. Failure and Consumption Data Reports, Form CV-A A131, BMD 0-50, NAA-609-P, GE-MO-1051, Arma 50-71, AFTO Form 130C, KSS F&CD Form
- B. Operation and Life Record, Form A-18
- C. Component Operation and Life Record, Form 2295
- D. System Operation and Life Record, Form 2296
- E. Reliability Action Report (RAIR), Form A204
- F. Failure Analysis Report (FAR), BMD Form No. 0-51, CV-A Form A-567
- G. Reliability Diagnostic Report
- H. Reliability Technical Directive, Form A-531

THIS MATERIAL CONTAINS INFORMATION AFFECTING THE NATIONAL DEFENSE OF THE UNITED STATES WITHIN THE MEANING OF THE ESPIONAGE LAWS, TITLE 18, U.S.C., SECTIONS 793 AND 794, THE TRANSMISSION OR REVELATION OF WHICH IN ANY MANNER TO AN UNAUTHORIZED PERSON IS PROHIBITED BY LAW

~~CONFIDENTIAL~~

~~CONFIDENTIAL~~

GENERAL DYNAMICS|ASTRONAUTICS

12 JULY 1961

- I. Daily Performance Log, KSS
- J. Daily Trouble Record, KSS
- K. Failure Report Form, KSS

15. Associate Contractor Reports

A. Rocketdyne

- 1. Failure and Consumption Data Report
- 2. Failure Analysis Report
- 3. Engineering Work Request
- 4. Rocketdyne Field Service Publication Change Suggestion
- 5. Field Service Operation Report
- 6. Certificate of Completion-Form 606W
- 7. GSE Log Book

B. General Electric, Missile and Space Vehicle Dept. (GE-MSVD)

- 1. Failure and Consumption Reports, Form MO-1051
- 2. Field Service Report
- 3. Failure Analysis Report

C. Kellogg Switchboard and Supply Company (KSS)

- 1. Corrective Action Request
- 2. Daily Performance Log
- 3. Daily Trouble Record
- 4. Failure Report Form

D. American Bosch Arma (Arma)

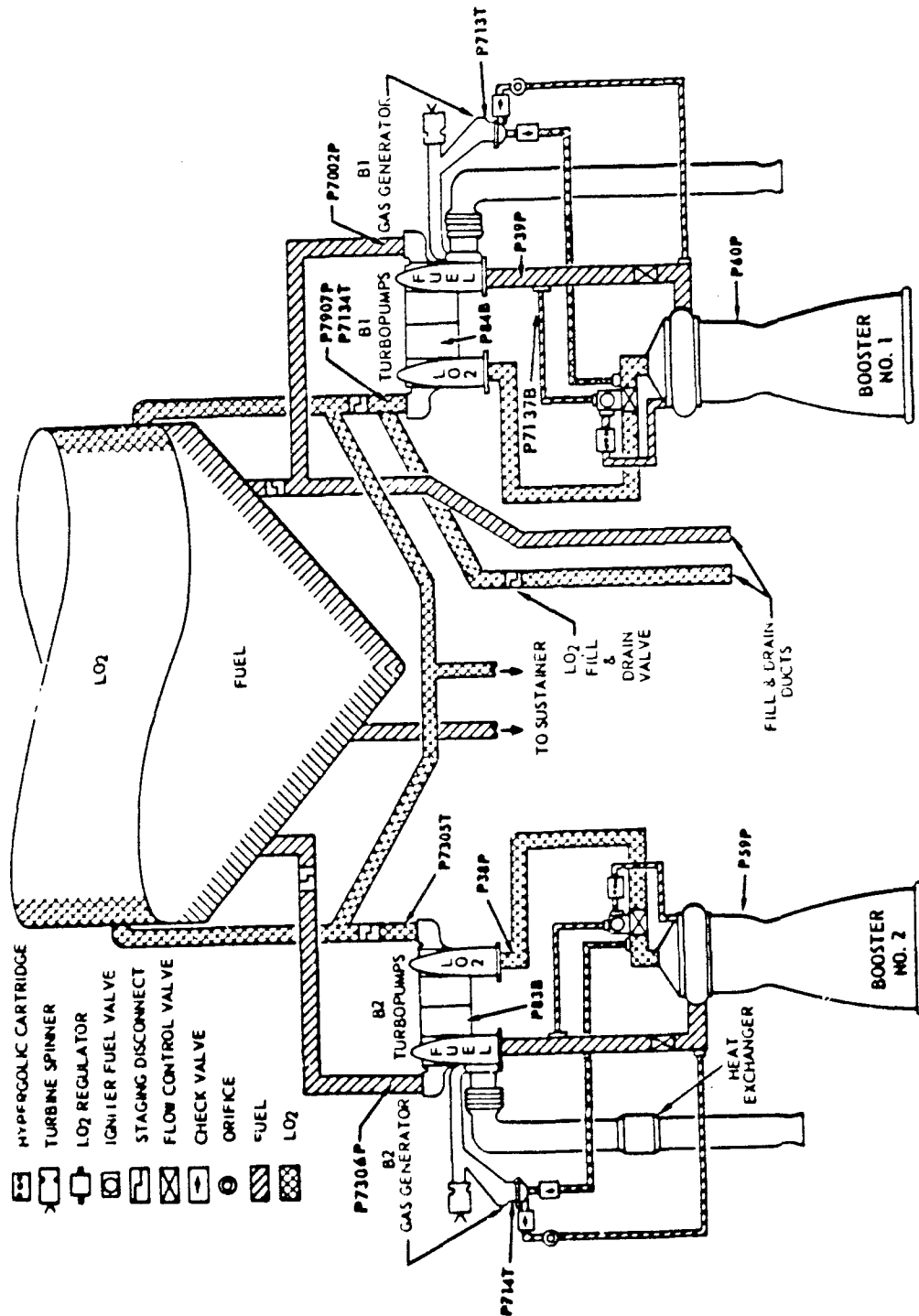
- 1. Daily Activity Report
- 2. Supplementary Activity Report
- 3. Failure and Consumption Data Report
- 4. Historical Record - Technical Instruction Compliance Report
- 5. Outstanding/Delayed Maintenance Record

~~CONFIDENTIAL~~

ILLUSTRATIONS



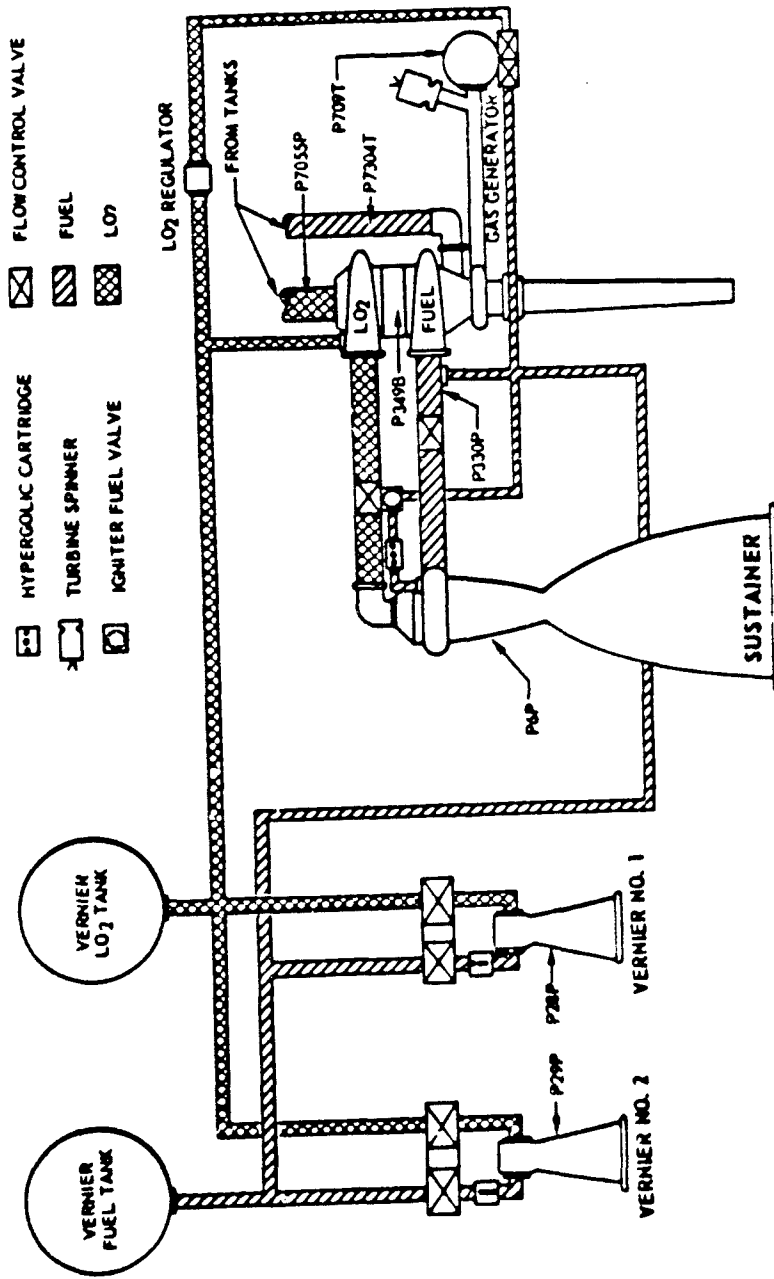
**BLANK PAGE**



MA-3 BOOSTER ENGINE

THIS MATERIAL CONTAINS INFORMATION AFFECTING THE NATIONAL DEFENSE OF THE UNITED STATES WITHIN THE MEANING OF THE ESPIONAGE LAWS, TITLE 18, U.S.C., SECTIONS 793 AND 794, THE TRANSMISSION OR REVELATION OF WHICH IN ANY MANNER TO AN UNAUTHORIZED PERSON IS PROHIBITED BY LAW

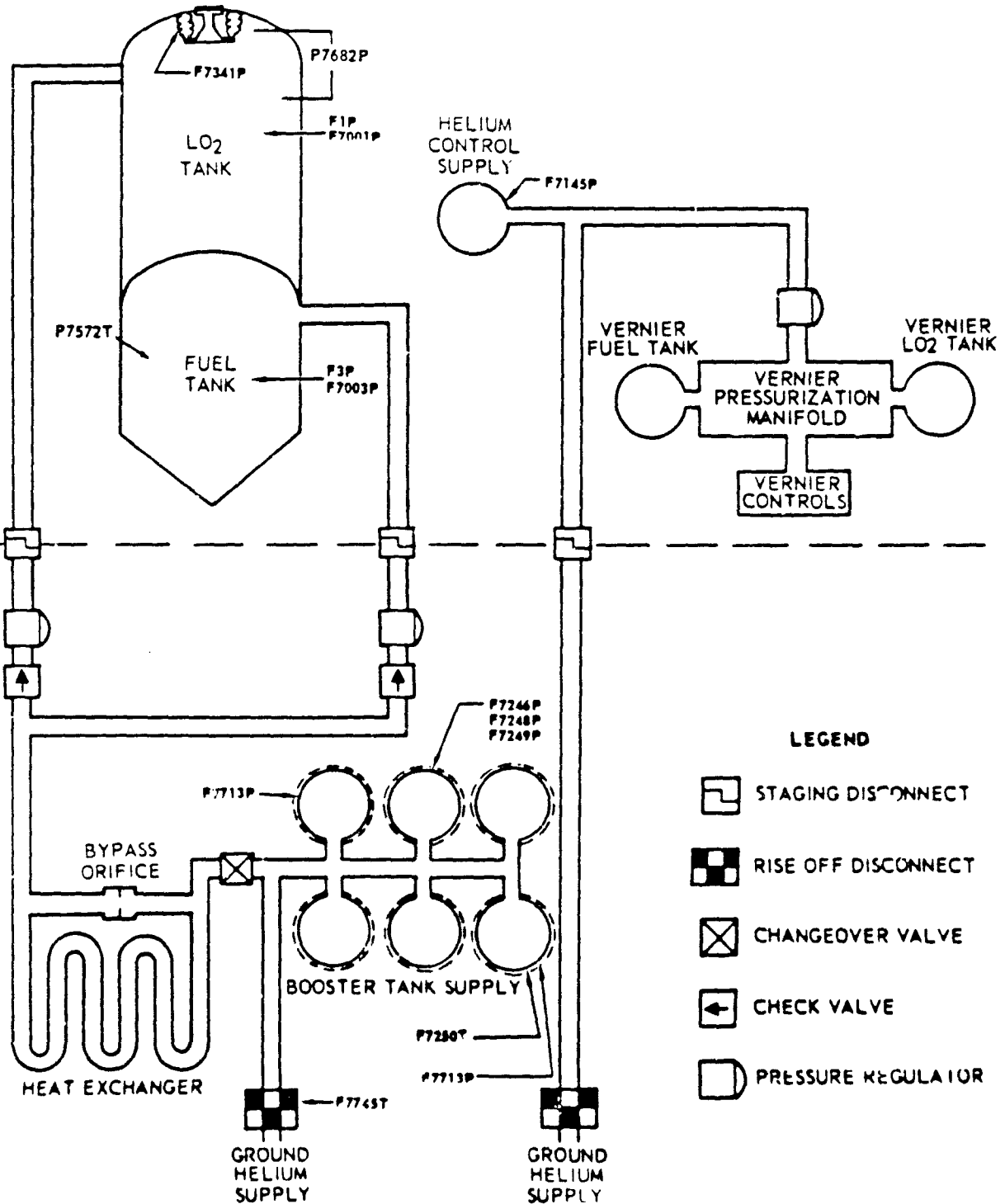
~~CONFIDENTIAL~~



MA-3 SUSTAINER ENGINE

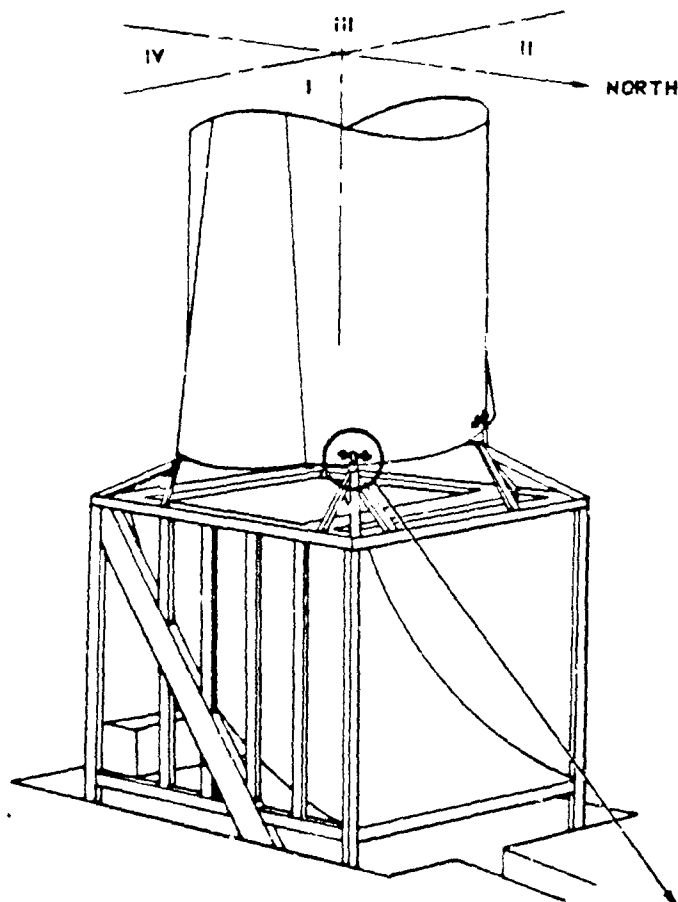
THIS MATERIAL CONTAINS INFORMATION AFFECTING THE NATIONAL DEFENSE OF THE UNITED STATES WITHIN THE MEANING OF THE ESPIONAGE LAWS, TITLE 18, U.S.C., SECTIONS 793 AND 794, THE TRANSMISSION OR REVELATION OF WHICH IN ANY MANNER TO AN UNAUTHORIZED PERSON IS PROHIBITED BY LAW

~~CONFIDENTIAL~~



AIRBORNE PNEUMATICS SYSTEM

THIS MATERIAL CONTAINS INFORMATION AFFECTING THE NATIONAL DEFENSE OF THE UNITED STATES WITHIN THE MEANING OF THE ESPIONAGE LAWS, TITLE 18 U.S.C. SECTIONS 793 AND 794 THE TRANSMISSION OR REVELATION OF WHICH IN ANY MANNER TO AN UNAUTHORIZED PERSON IS PROHIBITED BY LAW

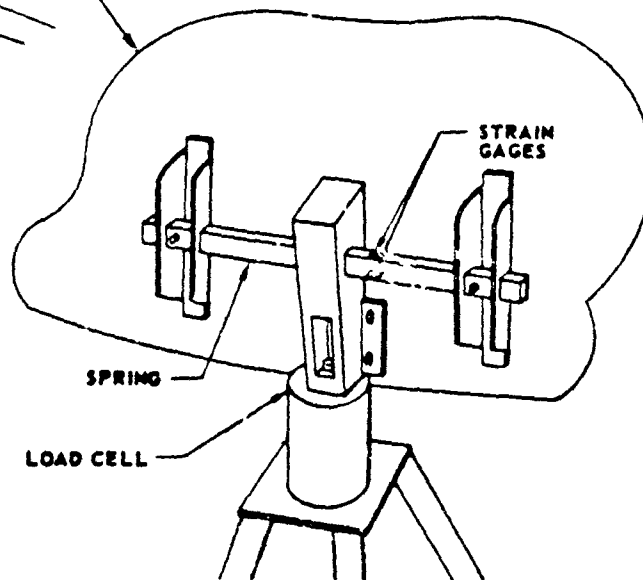


SPRING STRAIN GAGES

QUADRANT	MEAS. NO.
I	N79585
II	N79593
III	N79605
IV	N79615

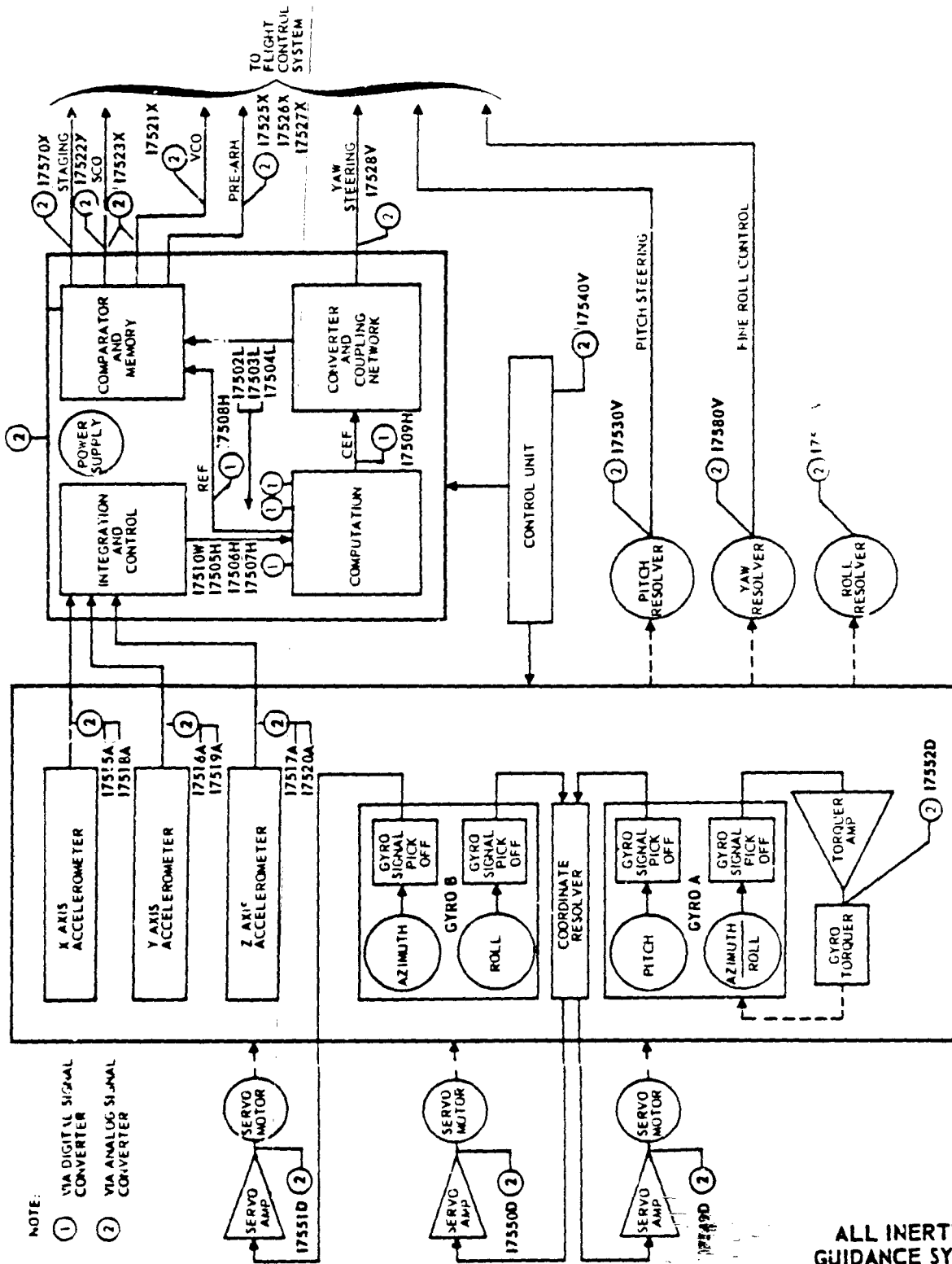
LOAD CELLS

QUADRANT	MEAS. NO.
I	N79625
II	N79635
III	N79645
IV	N79655



FACILITY MISSILE SPRING STRAIN GAGE  
AND LOAD CELL INSTRUMENTATION  
OSTF-2

THIS MATERIAL CONTAINS INFORMATION AFFECTING THE NATIONAL DEFENSE OF THE UNITED STATES WITHIN THE MEANING OF THE ESPIONAGE LAWS, TITLE 18, U.S.C., SECTIONS 793 AND 794, THE TRANSMISSION OR REVELATION OF WHICH IN ANY MANNER TO AN UNAUTHORIZED PERSON IS PROHIBITED BY LAW

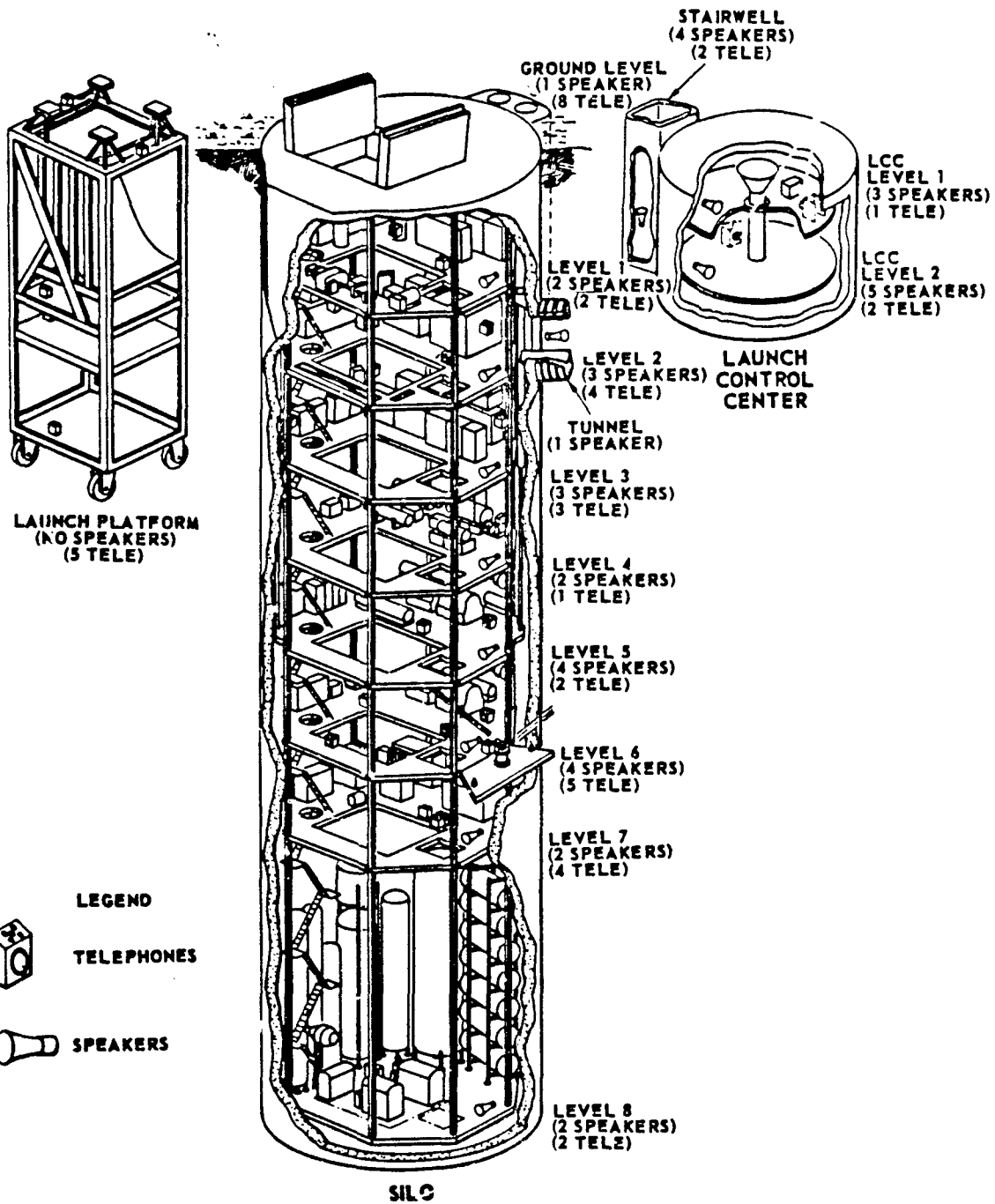


THIS MATERIAL CONTAINS INFORMATION AFFECTING THE NATIONAL DEFENSE OF THE UNITED STATES WITHIN THE MEANING OF THE ESPIONAGE LAWS, TITLE 18, U.S.C., SECTIONS 793 AND 794, THE TRANSMISSION OR REVELATION OF WHICH IN ANY MANNER TO AN UNAUTHORIZED PERSON IS PROHIBITED BY LAW.

ALL INERTIAL GUIDANCE SYSTEM

~~CONFIDENTIAL~~

6 DECEMBER 1961



COMMUNICATION SYSTEMS

THIS MATERIAL CONTAINS INFORMATION AFFECTING THE NATIONAL DEFENSE OF THE UNITED STATES WITHIN THE MEANING OF THE ESPIONAGE LAWS, TITLE 18, U.S.C., SECTIONS 793 AND 794, THE TRANSMISSION OR REVELATION OF WHICH IN ANY MANNER TO AN UNAUTHORIZED PERSON IS PROHIBITED BY LAW.

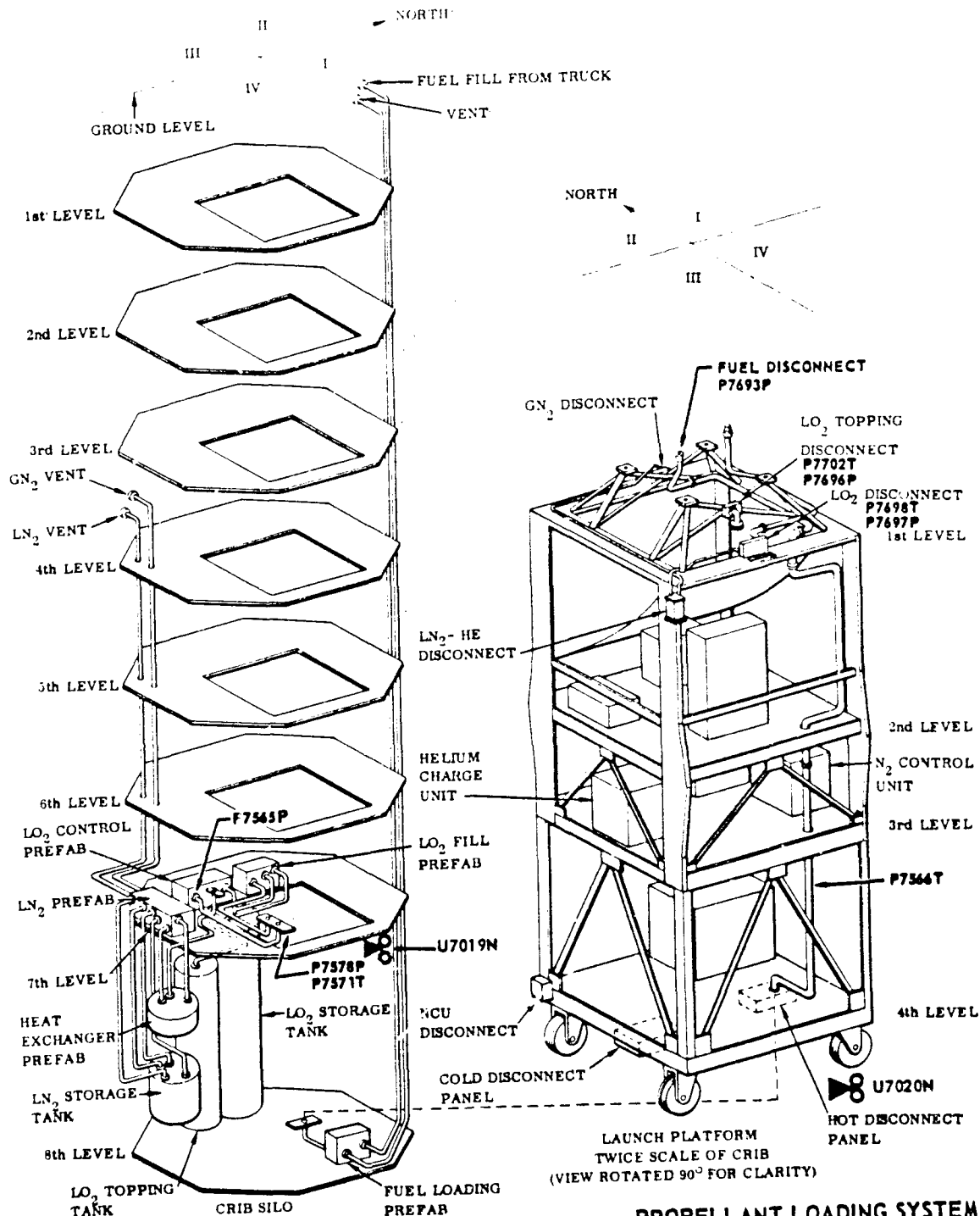
~~CONFIDENTIAL~~

~~CONFIDENTIAL~~

REPORT NO. AE60-0653

PAGE NO. 7-7

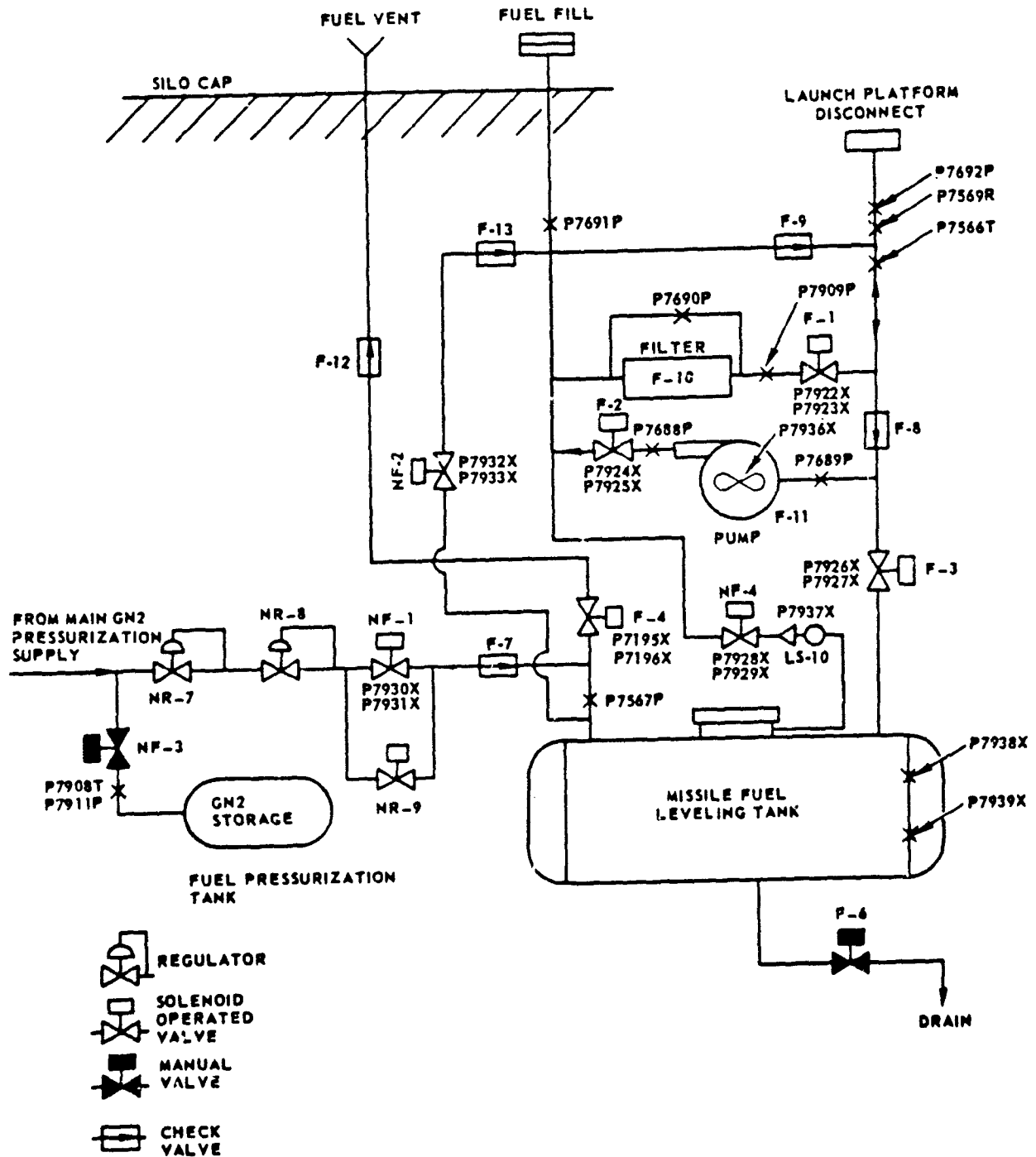
6 DECEMBER 1961



THIS MATERIAL CONTAINS INFORMATION AFFECTING THE NATIONAL DEFENSE OF THE UNITED STATES WITHIN THE MEANING OF THE ESPIONAGE LAWS, TITLE 18, U.S.C., SECTIONS 793 AND 794. THE TRANSMISSION OR REVELATION OF WHICH IN ANY MANNER TO AN UNAUTHORIZED PERSON IS PROHIBITED BY LAW.

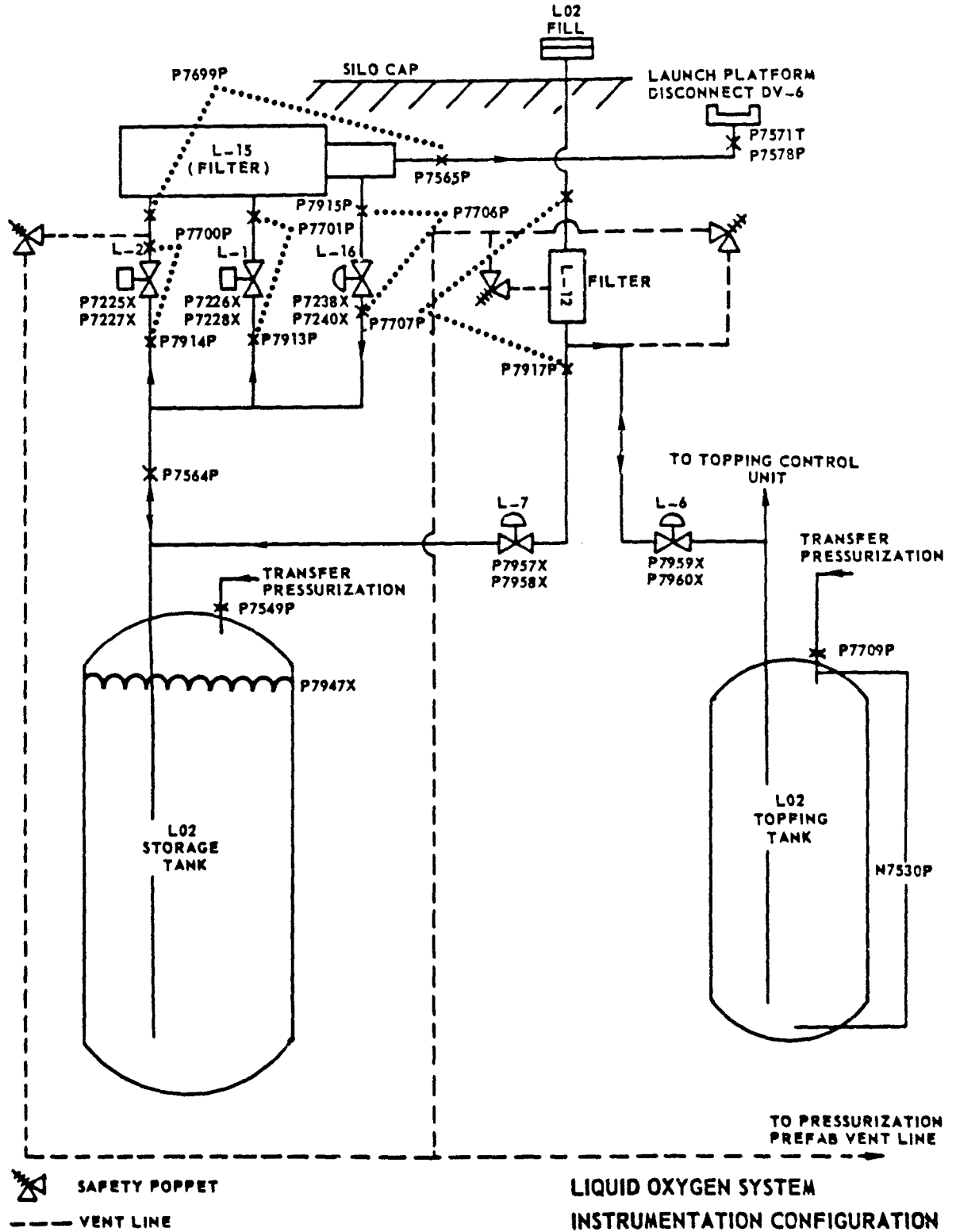
~~CONFIDENTIAL~~





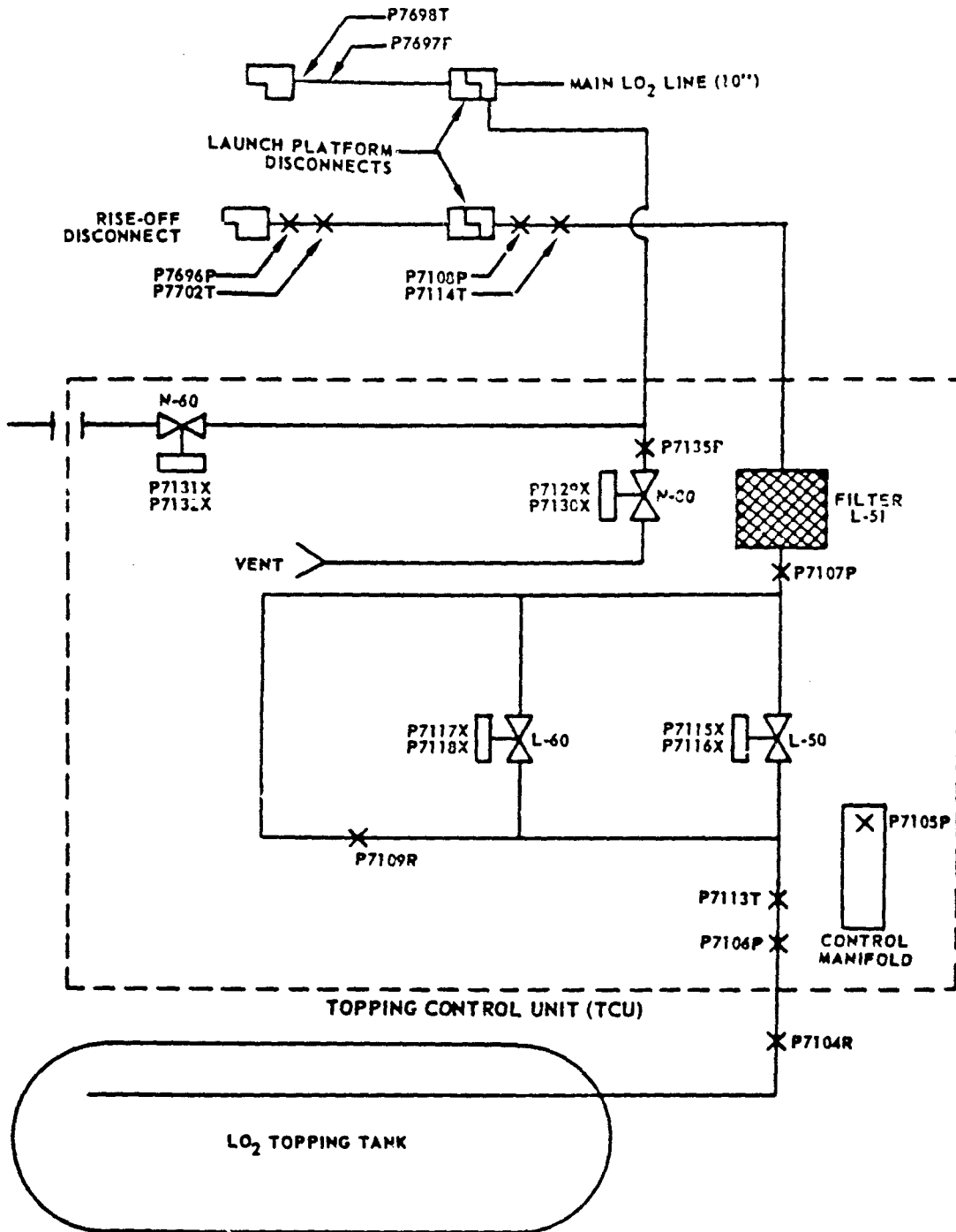
FUEL FLOW SYSTEM  
INSTRUMENTATION CONFIGURATION

THIS MATERIAL CONTAINS INFORMATION AFFECTING THE NATIONAL DEFENSE OF THE UNITED STATES WITHIN THE MEANING OF THE ESPIONAGE LAWS, TITLE 18, U.S.C., SECTIONS 793 AND 794, THE TRANSMISSION OR REVELATION OF WHICH IN ANY MANNER TO AN UNAUTHORIZED PERSON IS PROHIBITED BY LAW.



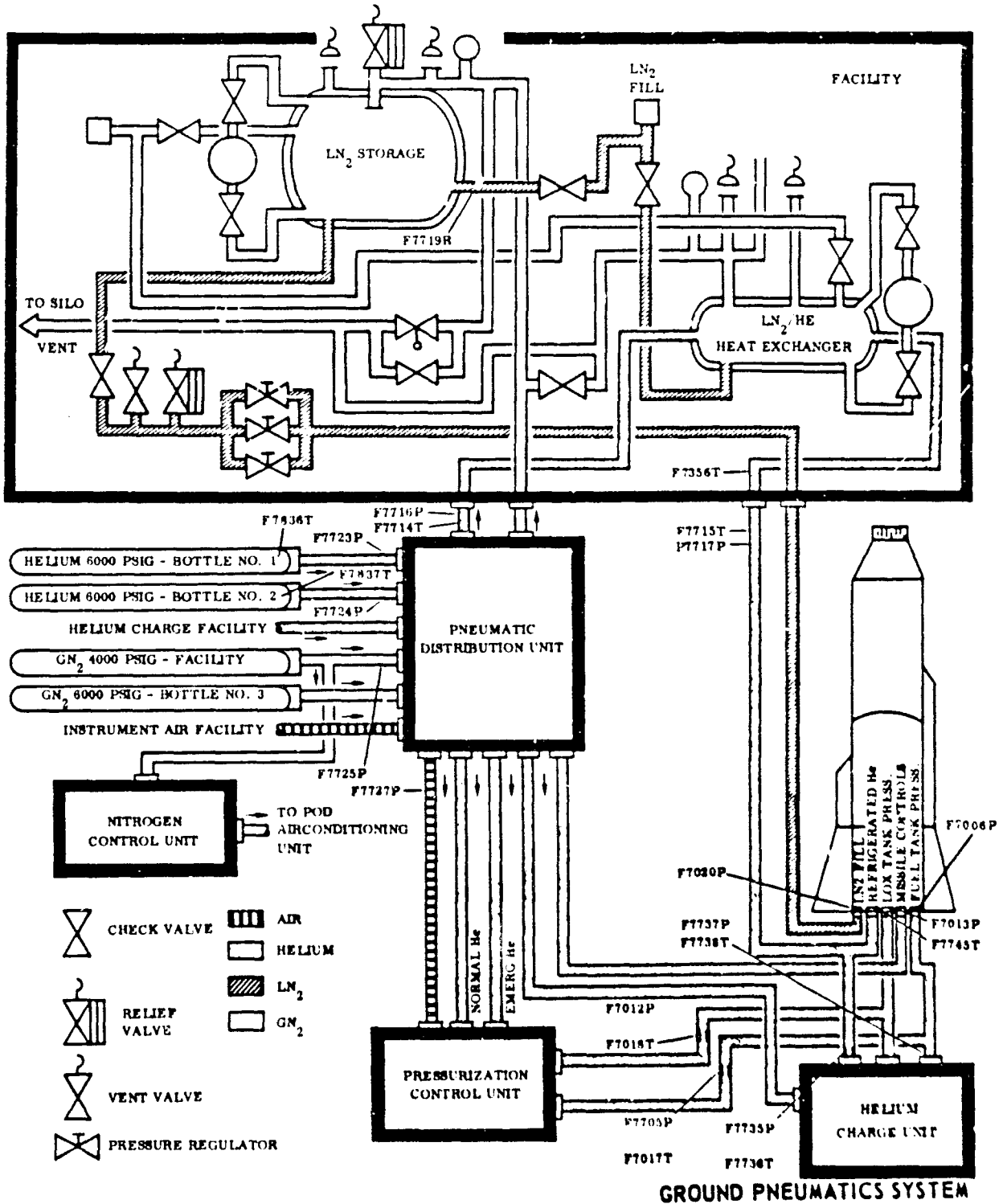
THIS MATERIAL CONTAINS INFORMATION AFFECTING THE NATIONAL DEFENSE OF THE UNITED STATES WITHIN THE MEANING OF THE ESPIONAGE LAWS, TITLE 18, U.S.C., SECTIONS 793 AND 794, THE TRANSMISSION OR REVELATION OF WHICH IN ANY MANNER TO AN UNAUTHORIZED PERSON IS PROHIBITED BY LAW.

6 DECEMBER 1961

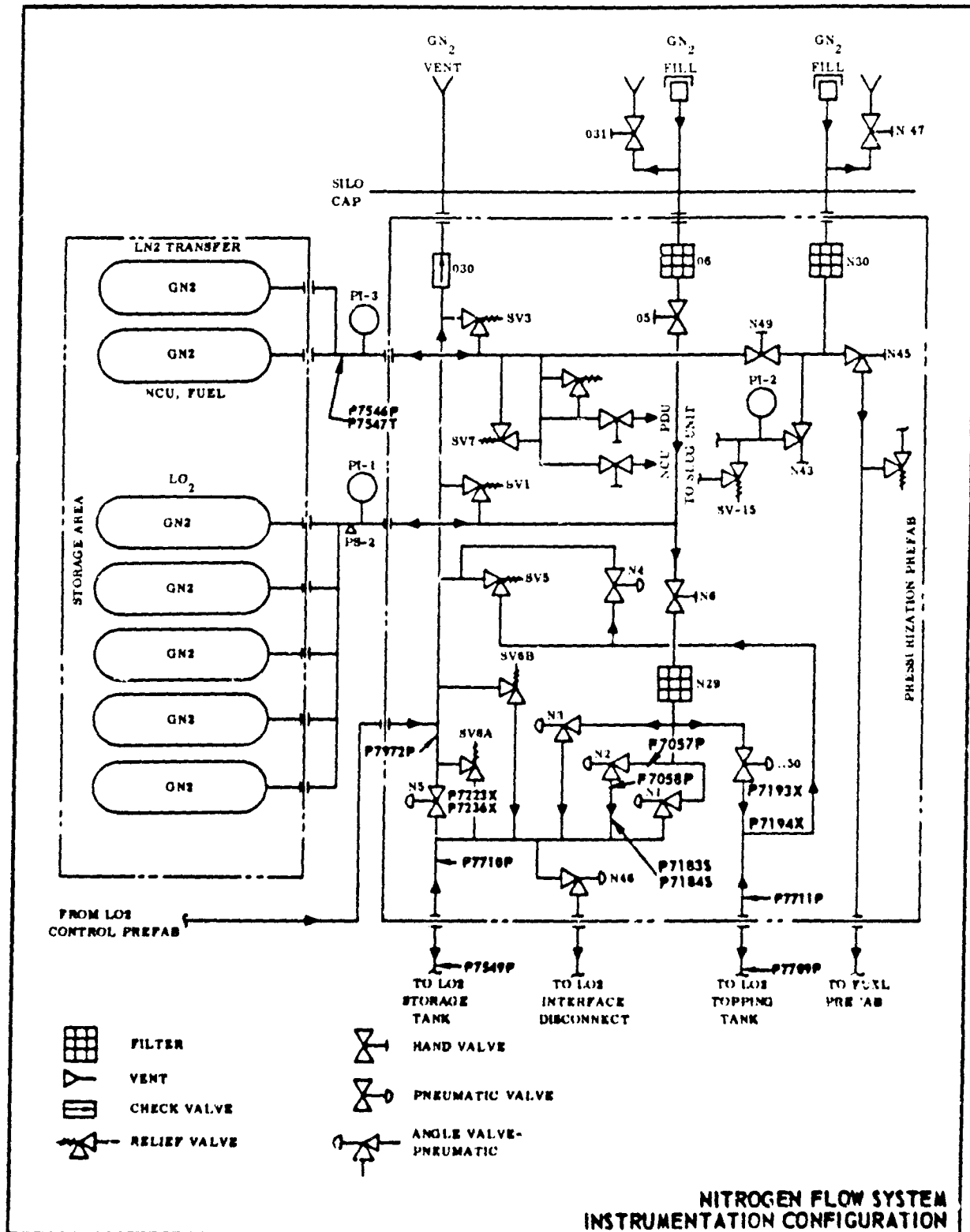


**RAPID TOPPING SYSTEM  
INSTRUMENTATION CONFIGURATION**

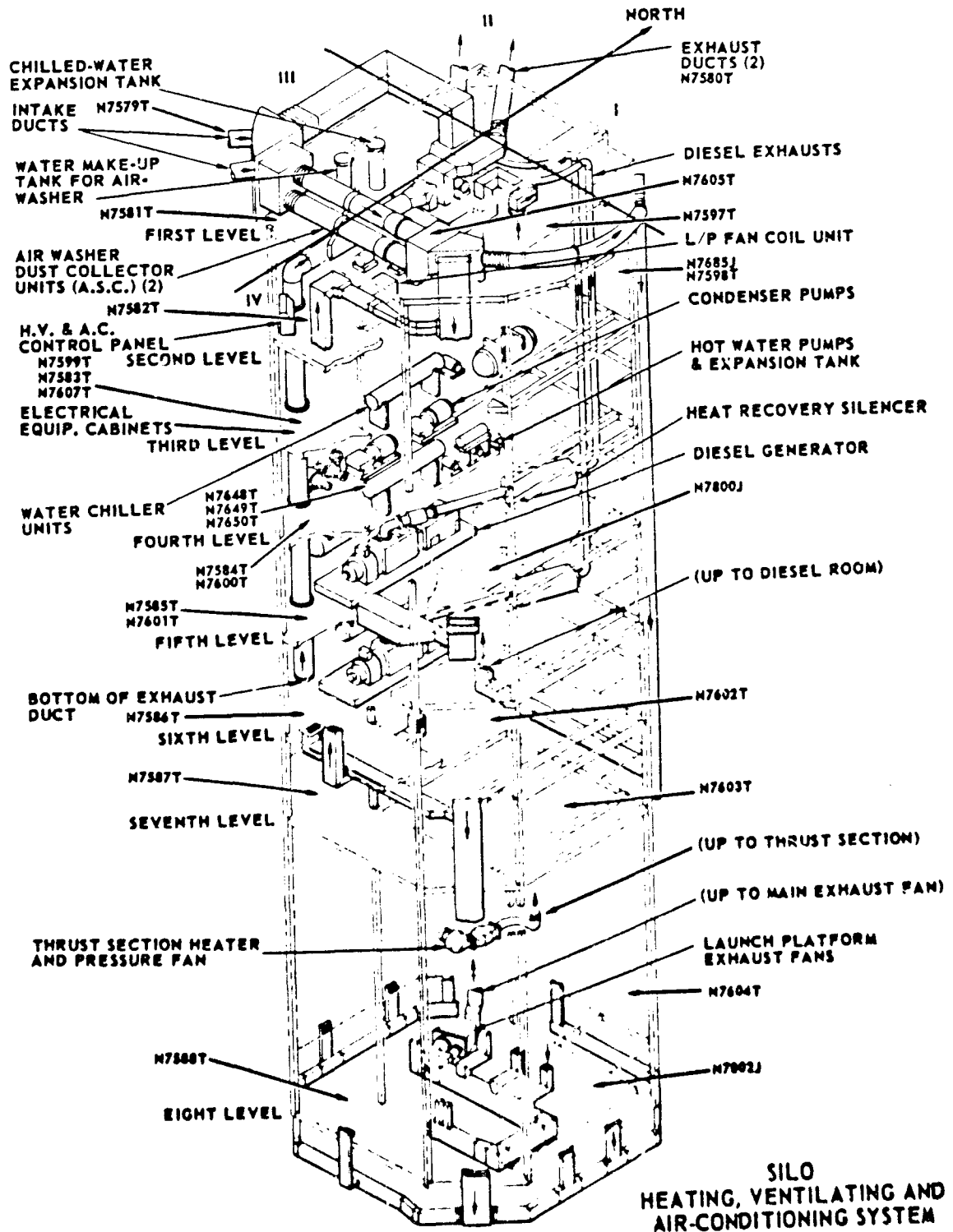
THIS MATERIAL CONTAINS INFORMATION AFFECTING THE NATIONAL DEFENSE OF THE UNITED STATES WITHIN THE MEANING OF THE ESPIONAGE LAWS, TITLE 18, U.S.C., SECTIONS 793 AND 794, THE TRANSMISSION OR REVELATION OF WHICH IN ANY MANNER TO AN UNAUTHORIZED PERSON IS PROHIBITED BY LAW.



THIS MATERIAL CONTAINS INFORMATION AFFECTING THE NATIONAL DEFENSE OF THE UNITED STATES WITHIN THE MEANING OF THE ESPIONAGE LAWS, TITLE 18, U.S.C., SECTIONS 793 AND 794, THE TRANSMISSION OR REVELATION OF WHICH IN ANY MANNER TO AN UNAUTHORIZED PERSON IS PROHIBITED BY LAW



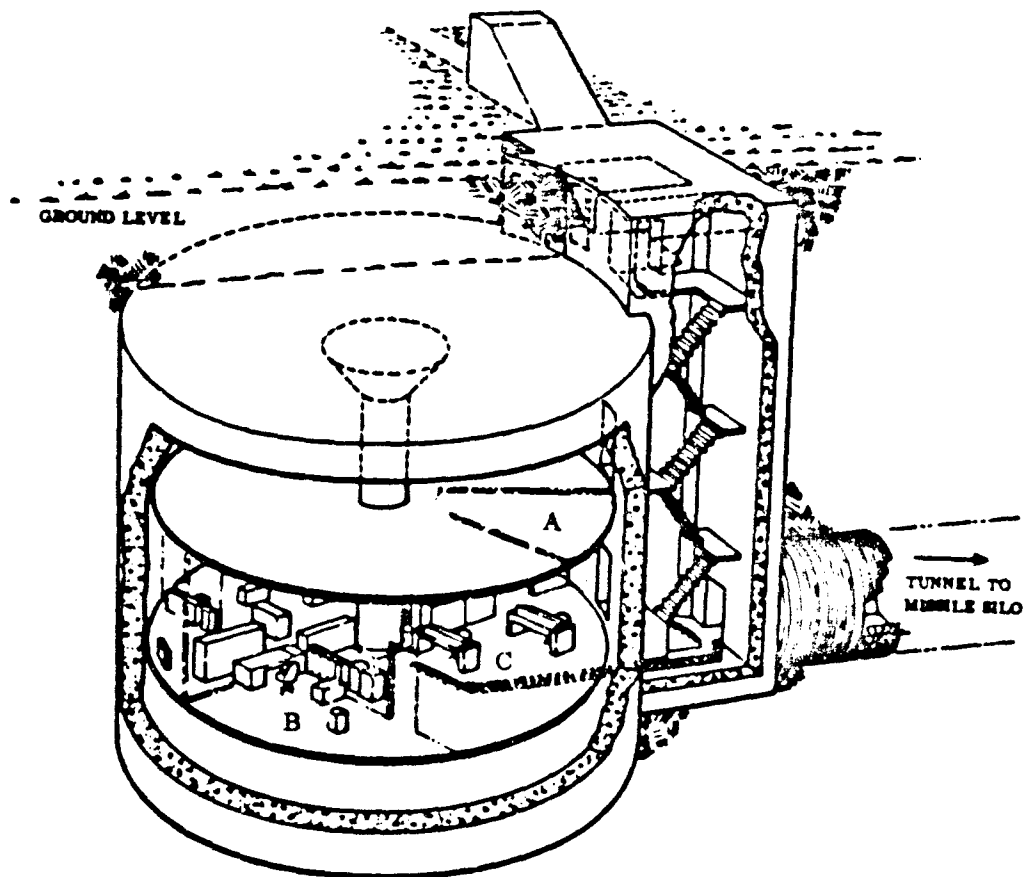
THIS MATERIAL CONTAINS INFORMATION AFFECTING THE NATIONAL DEFENSE OF THE UNITED STATES WITHIN THE MEANING OF THE ESPIONAGE LAWS, TITLE 18, U.S.C., SECTIONS 793 AND 794, THE TRANSMISSION OR REVELATION OF WHICH IN ANY MANNER TO AN UNAUTHORIZED PERSON IS PROHIBITED BY LAW



THIS MATERIAL CONTAINS INFORMATION AFFECTING THE NATIONAL DEFENSE OF THE UNITED STATES WITHIN THE MEANING OF THE ESPIONAGE LAWS, TITLE 18, U.S.C., SECTIONS 793 AND 794, THE TRANSMISSION OR REVELATION OF WHICH IN ANY MANNER TO AN UNAUTHORIZED PERSON IS PROHIBITED BY LAW

~~CONFIDENTIAL~~

14 JULY 1961



FIRST LEVEL

- A. HEATING, VENTILATING AND AIR CONDITIONING ROOM. N7807T, LAUNCH CONTROL EQUIPMENT AIR RETURN.

SECOND LEVEL

- B. OFFICE - N7687J, RELATIVE HUMIDITY
- C. LAUNCH CONTROL ROOM - N7801J, RELATIVE HUMIDITY

LAUNCH CONTROL CENTER  
HEATING, VENTILATING AND  
AIR-CONDITIONING SYSTEM

THIS MATERIAL CONTAINS INFORMATION AFFECTING THE NATIONAL DEFENSE OF THE UNITED STATES WITHIN THE MEANING OF THE ESPIONAGE LAWS, TITLE 18, U.S.C., SECTIONS 793 AND 794. THE TRANSMISSION OR REVELATION OF WHICH IN ANY MANNER TO AN UNAUTHORIZED PERSON IS PROHIBITED BY LAW

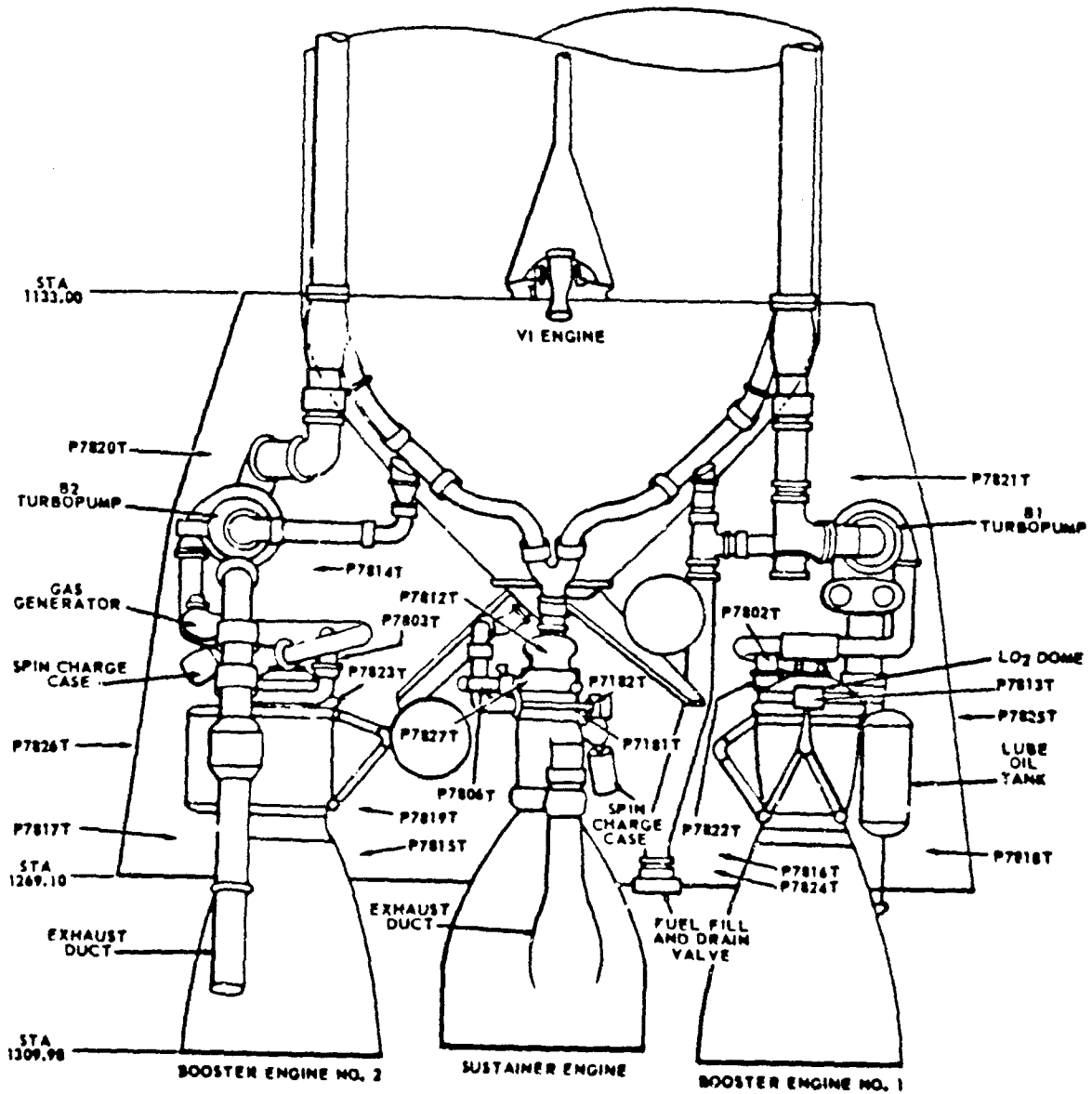
~~CONFIDENTIAL~~

~~CONFIDENTIAL~~

REPORT NO. AE60-0653

PAGE NO. 7-15

12 JULY 1961



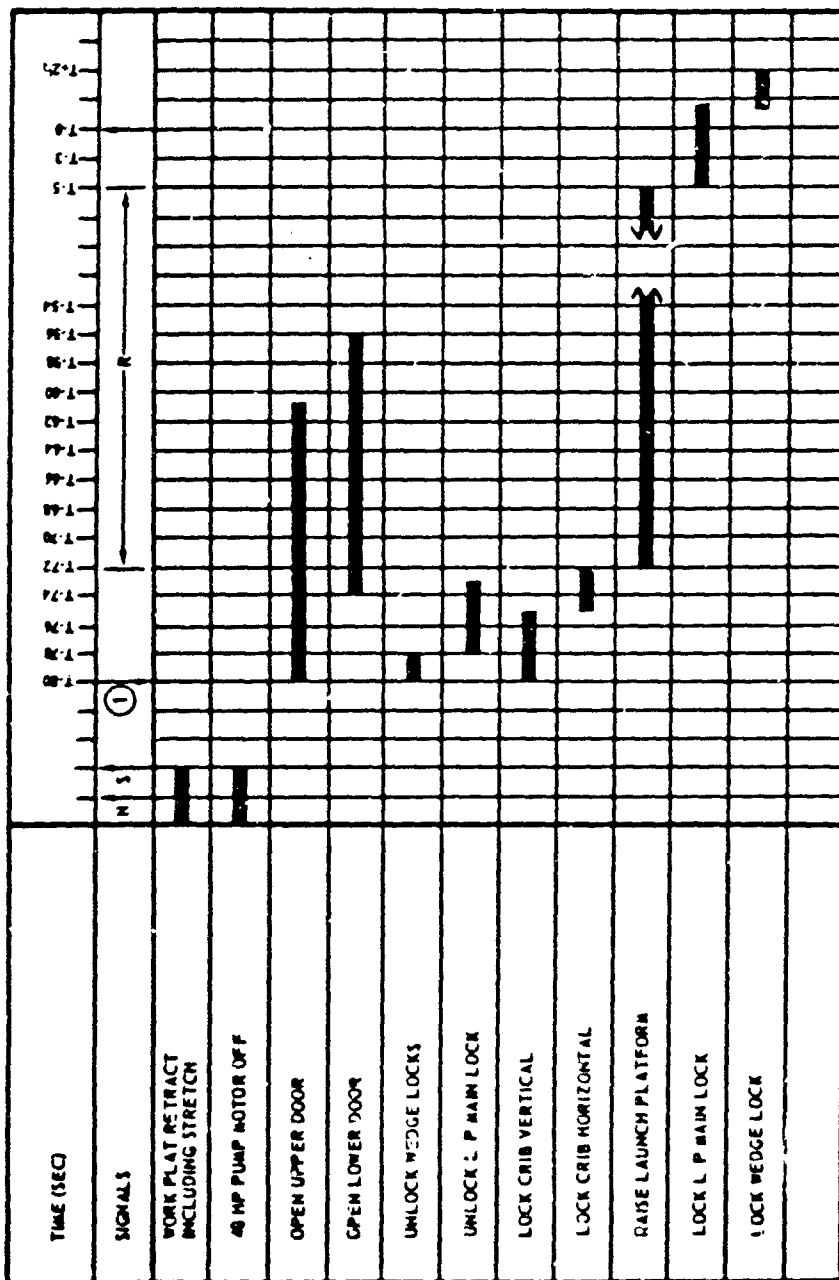
MA-3 ENGINE COMPARTMENT INSTRUMENTATION

THIS MATERIAL CONTAINS INFORMATION AFFECTING THE NATIONAL DEFENSE OF THE UNITED STATES WITHIN THE MEANING OF THE ESPIONAGE LAWS, TITLE 18, U.S.C., SECTIONS 793 AND 794, THE TRANSMISSION OR REVELATION OF WHICH IN ANY MANNER TO AN UNAUTHORIZED PERSON IS PROHIBITED BY LAW

~~CONFIDENTIAL~~



12 JULY 1961



KEY:

- SIGNAL TO LAUNCH CONTROL
- SIGNAL FROM LAUNCH CONTROL
- R PLATFORM RISE TIME DESIGN GOAL 60 SEC ALLOWABLE 67 SEC CHA. T BASED ON 67 SEC. AS DESIGN GOAL IS APPROACHED SIGNAL NO. 1 WILL APPROACH T-77 TIME SEQUENCE UP TO READY TO LAUNCH

SIGNALS:

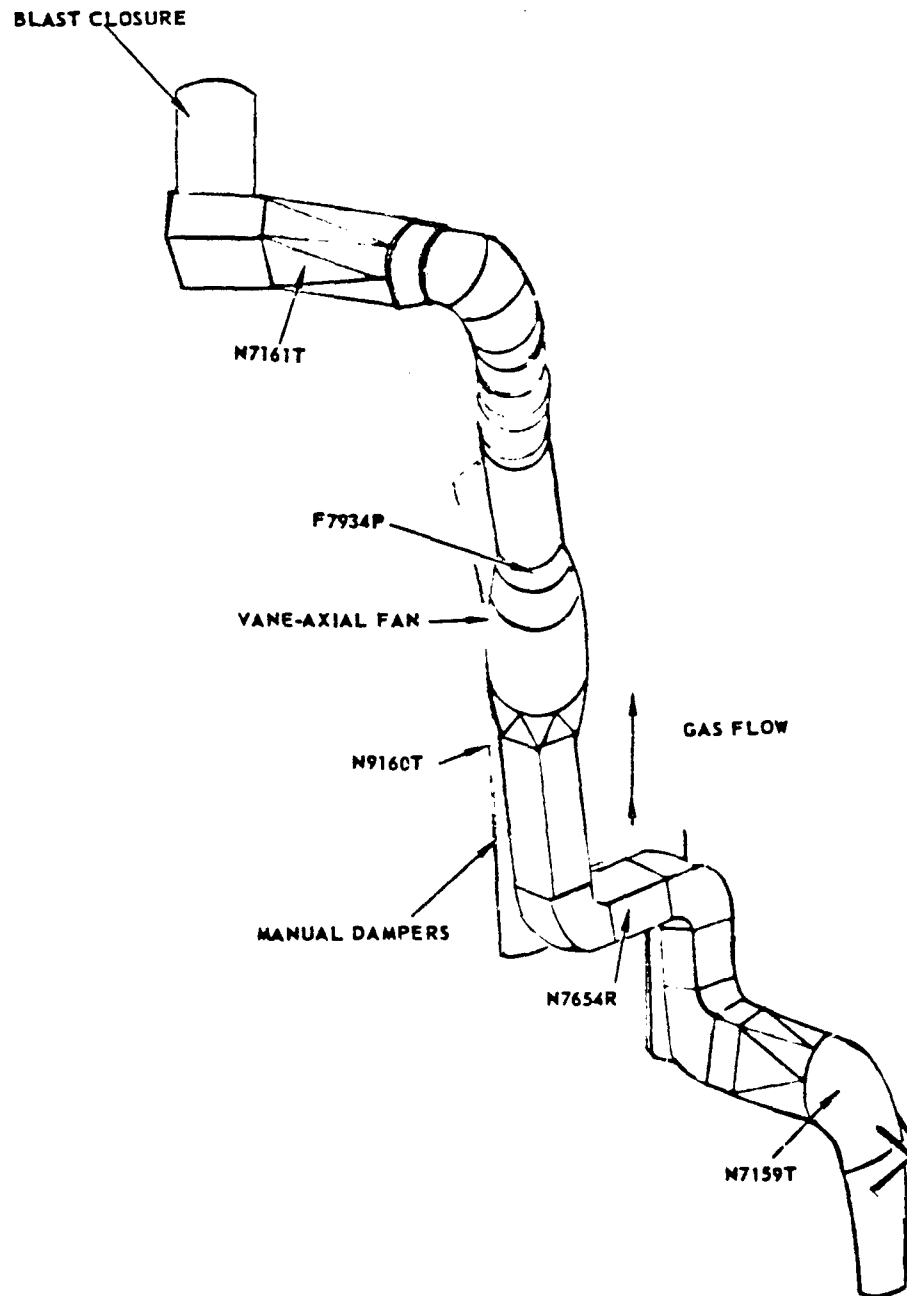
- N NO GO
- S STANDBY READY, C.V.A START COUNTDOWN
- 1 MLS COMMIT START, SOFT SITE

NOTE: THIS SEQUENCE IS SUBJECT TO MODIFICATION DUE TO DESIGN CHANGES AND/OR LAUNCH CONTROL CHANGES.

OSTF II  
LAUNCH PLATFORM RISE SEQUENCE

THIS MATERIAL CONTAINS INFORMATION AFFECTING THE NATIONAL DEFENSE OF THE UNITED STATES WITHIN THE MEANING OF THE ESPIONAGE LAWS, TITLE 18, U.S.C., SECTIONS 793 AND 794, THE TRANSMISSION OR REVELATION OF WHICH IN ANY MANNER TO AN UNAUTHORIZED PERSON IS PROHIBITED BY LAW

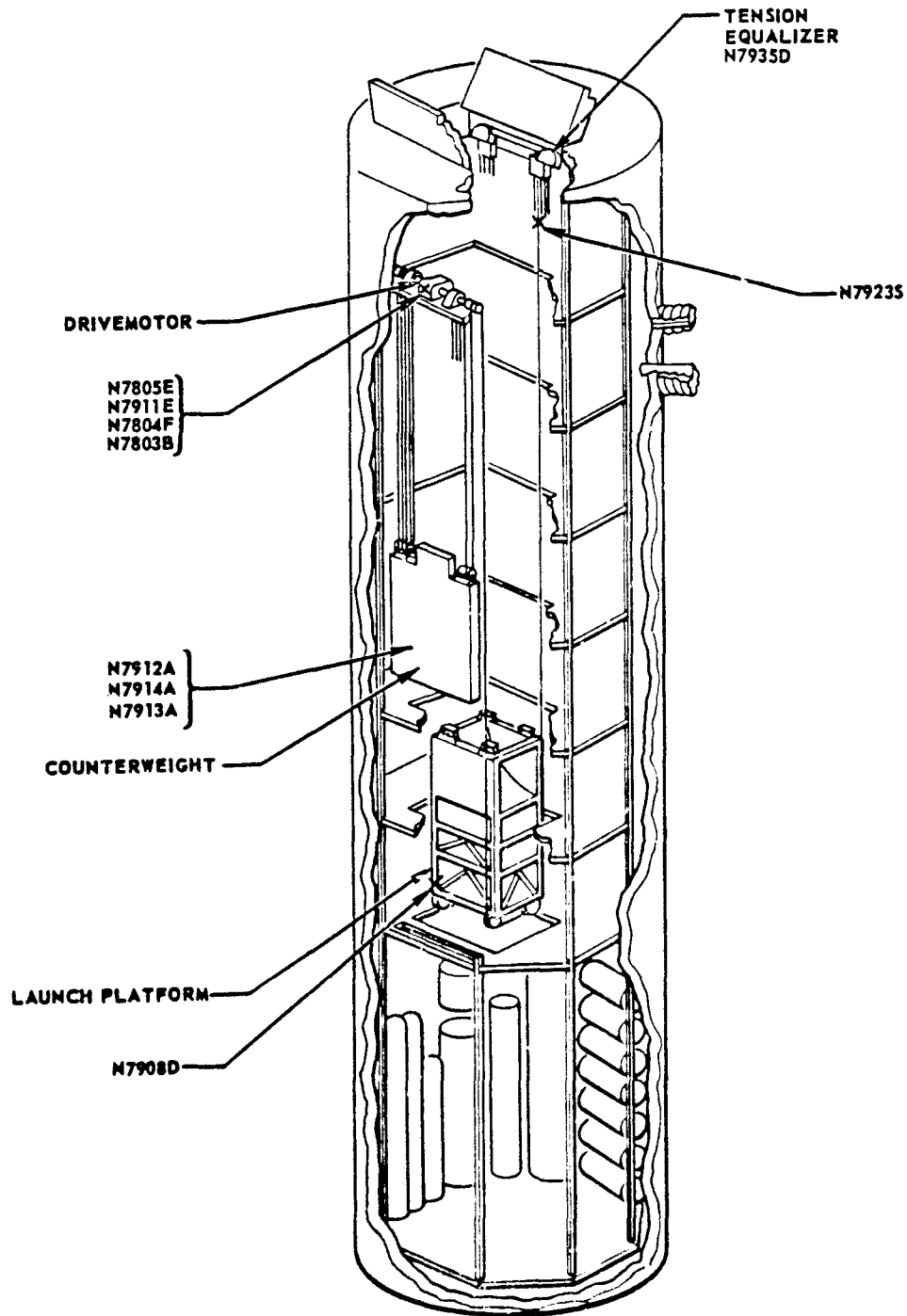
~~CONFIDENTIAL~~



GOX VENT SYSTEM  
INSTRUMENTATION

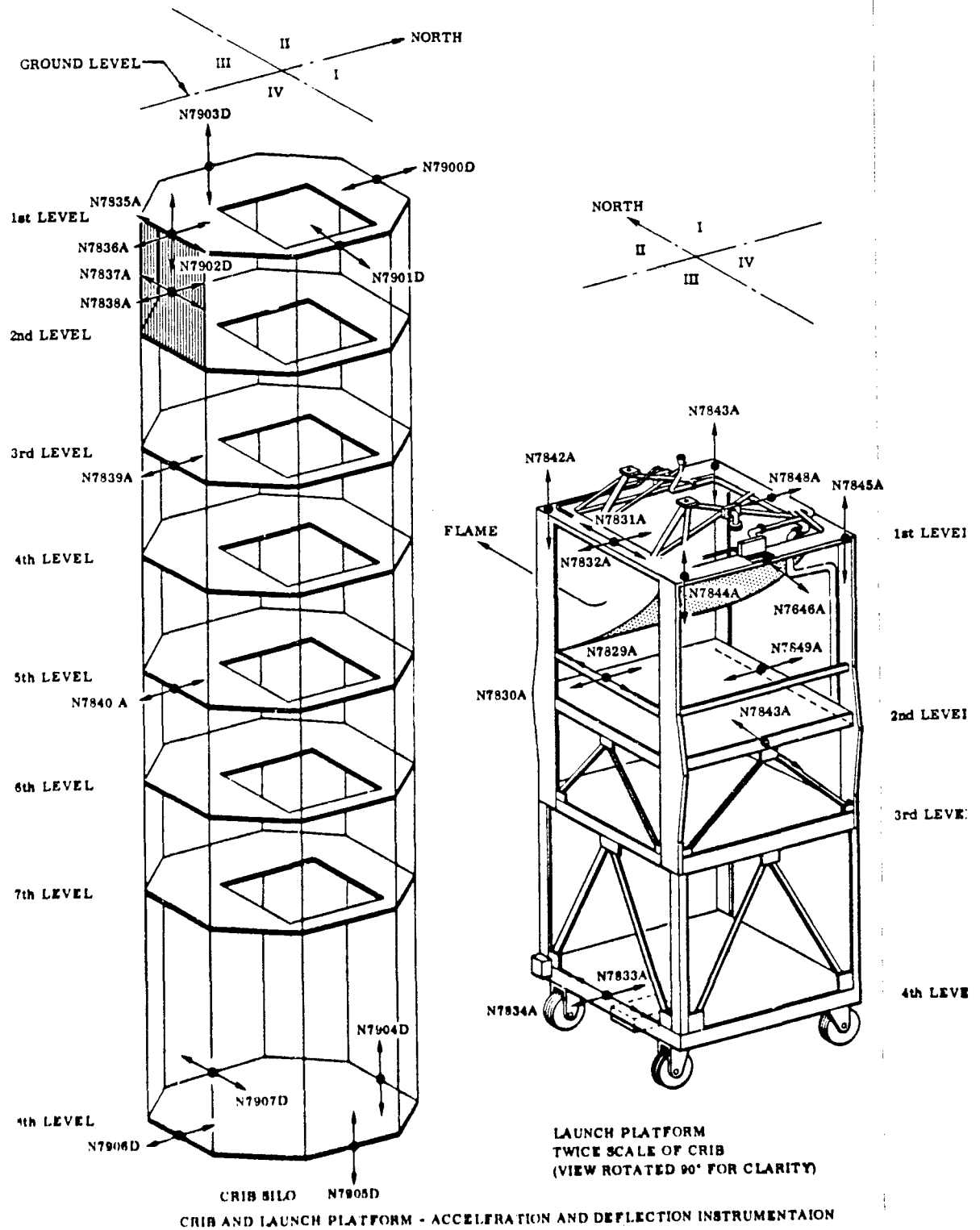
THIS MATERIAL CONTAINS INFORMATION AFFECTING THE NATIONAL DEFENSE OF THE UNITED STATES WITHIN THE MEANING OF THE ESPIONAGE LAWS, TITLE 18, U.S.C., SECTIONS 793 AND 794, THE TRANSMISSION OR REVELATION OF WHICH IN ANY MANNER TO AN UNAUTHORIZED PERSON IS PROHIBITED BY LAW.

~~CONFIDENTIAL~~



SILO MISSILE LIFT  
INSTRUMENTATION CONFIGURATION

THIS MATERIAL CONTAINS INFORMATION AFFECTING THE NATIONAL DEFENSE OF THE UNITED STATES WITHIN THE MEANING OF THE ESPIONAGE LAWS, TITLE 18, U.S.C., SECTIONS 793 AND 794, THE TRANSMISSION OR REVELATION OF WHICH IN ANY MANNER TO AN UNAUTHORIZED PERSON IS PROHIBITED BY LAW.



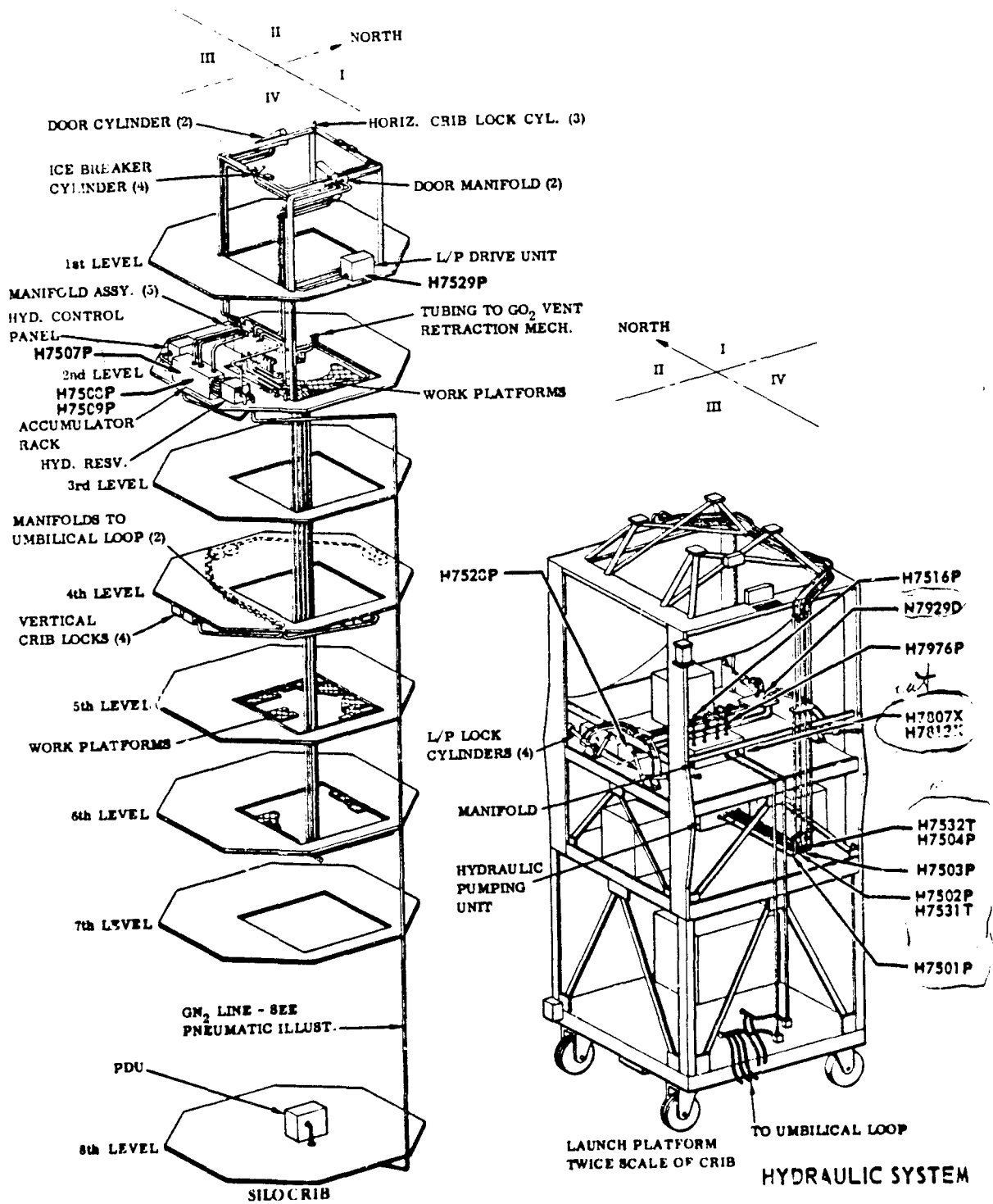
THIS MATERIAL CONTAINS INFORMATION AFFECTING THE NATIONAL DEFENSE OF THE UNITED STATES WITHIN THE MEANING OF THE ESPIONAGE LAWS, TITLE 18 U.S.C. SECTIONS 793 AND 794. THE TRANSMISSION OR REVELATION OF WHICH IN ANY MANNER TO AN UNAUTHORIZED PERSON IS PROHIBITED BY LAW.

~~CONFIDENTIAL~~

REPORT NO. AE60-0653

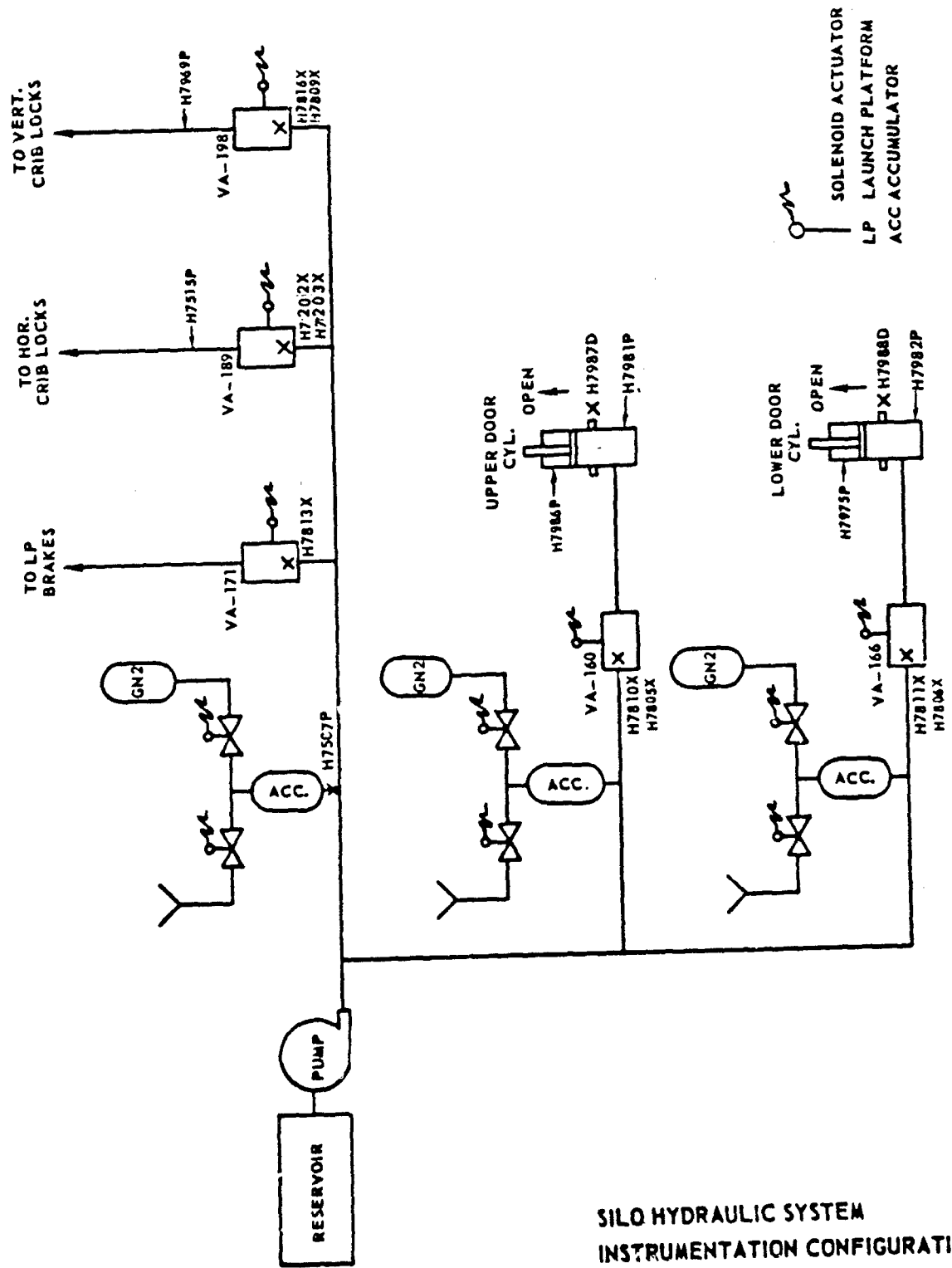
PAGE NO. 7-20

6 DECEMBER 1961



THIS MATERIAL CONTAINS INFORMATION AFFECTING THE NATIONAL DEFENSE OF THE UNITED STATES WITHIN THE MEANING OF THE ESPIONAGE LAWS, TITLE 18, U.S.C., SECTIONS 793 AND 794. THE TRANSMISSION OR REVELATION OF WHICH IN ANY MANNER TO AN UNAUTHORIZED PERSON IS PROHIBITED BY LAW.

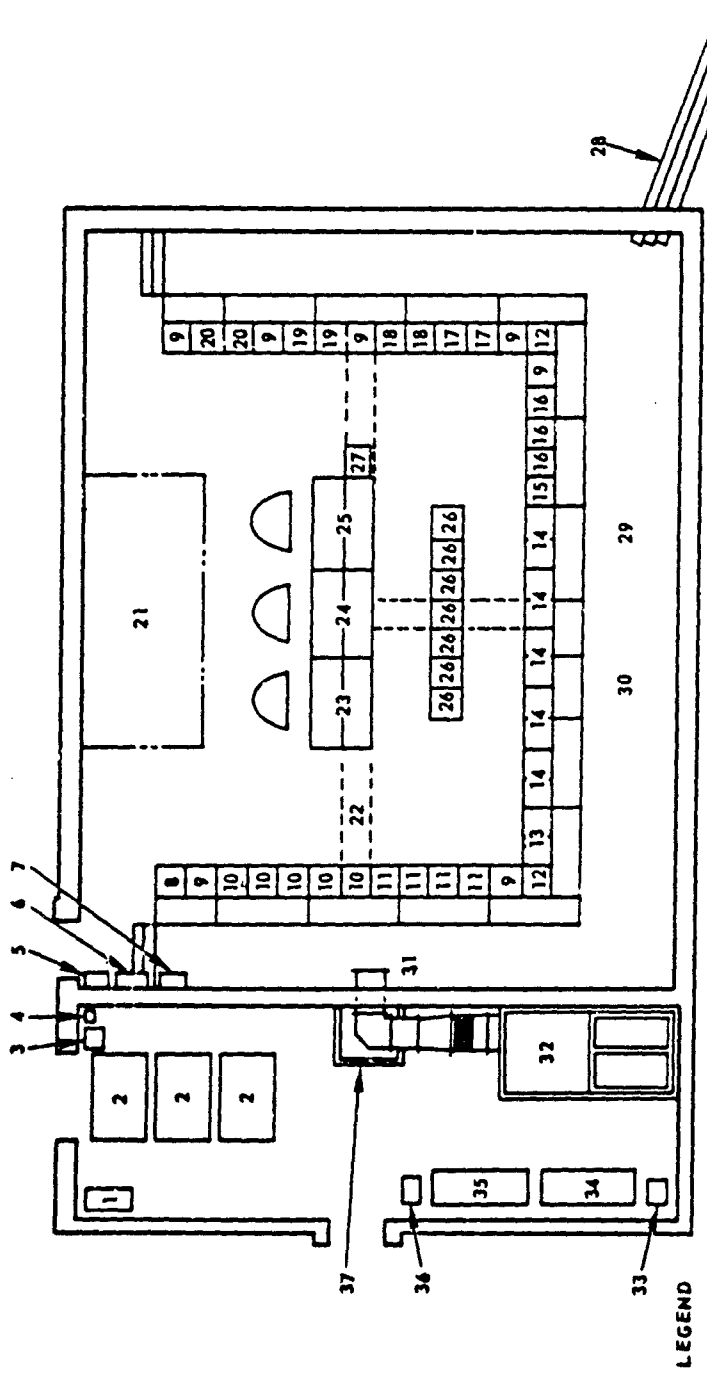
~~CONFIDENTIAL~~



SILO HYDRAULIC SYSTEM  
INSTRUMENTATION CONFIGURATION

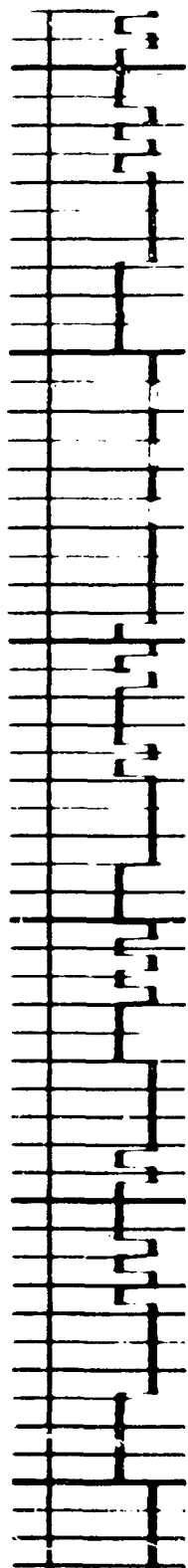
THIS MATERIAL CONTAINS INFORMATION AFFECTING THE NATIONAL DEFENSE OF THE UNITED STATES WITHIN THE MEANING OF THE ESPIONAGE LAWS, TITLE 18, U.S.C., SECTIONS 793 AND 794, THE TRANSMISSION OR REVELATION OF WHICH IN ANY MANNER TO AN UNAUTHORIZED PERSON IS PROHIBITED BY LAW

INSTRUMENTATION  
BUILDING

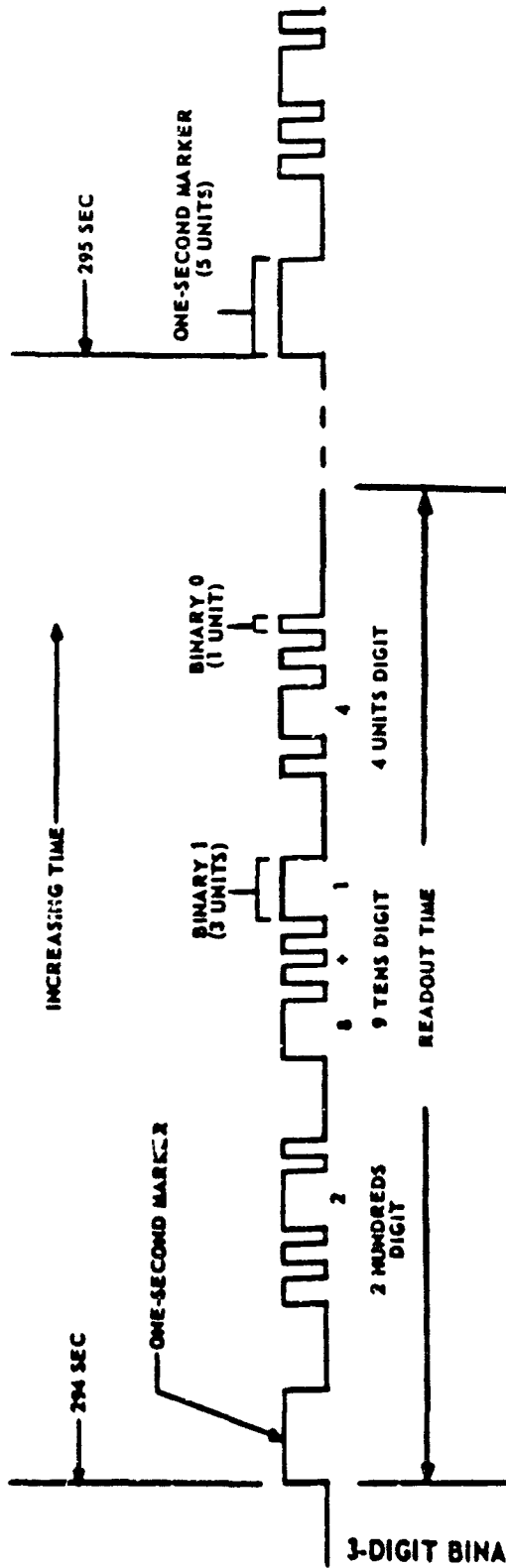


- LEGEND
- 1 480 VOLT CONTROL CENTER
  - 2 20 KW M.G. SETS
  - 3 DISTRIBUTION PANEL
  - 4 75 K.V.A. TRANSFORMER
  - 5 LTG PANEL "F"
  - 6 CONTROL & INSTR. PANEL "D"
  - 7 3 PHASE PWR. DISTR. PANEL
  - 8 OSCILLOGRAPH
  - 9 SPARE
  - 10 F.M. TAPE RECORDER
  - 11 SANBORN
  - 12 T.V. CONTROL CONSOLE
  - 13 OUTPUT PATCH PANEL
  - 14 BROWN STRIP CHART
  - 15 TEST EQUIPMENT
  - 16 CALIBRATION & NORMALIZATION
  - 17 SEQUENCE PATCH PANEL
  - 18 SEQUENCE RECORDER
  - 19 DIGITAL RECORDER
  - 20 KINE SCOPE
  - 21 AREA RESERVED FOR OBSERVATION OF T.V., TESTING PROCEDURES, INSTR., ETC...BY HUMAN ENGINEERING, MILITARY OFFICIALS, OTHER DIGNITARIES.
  - 22 CABLE TRAY
  - 23 T.V. CONTROL CONSOLE
  - 24 INSTR. CONTROL CONSOLE & TIME
  - 25 MOTION PICTURE CONSOLE
  - 26 OVERHEAD T.V. MONITERS
  - 27 FLEXI WRITER
  - 28 5-12" CONDUIT TO SILO
  - 29 T.V. MONITOR CONTROL
  - 30 INSTR. CONTROL
  - 31 4500 C.F.M. BELOW FLOOR
  - 32 AIR CONDITIONING
  - 33 #2 PUMP MOTOR
  - 34 #1 COND. UNIT
  - 35 #1 COND. UNIT
  - 36 #1 PUMP MOTOR
  - 37 PIT

THIS MATERIAL CONTAINS INFORMATION AFFECTING THE NATIONAL DEFENSE OF THE UNITED STATES WITHIN THE MEANING OF THE ESPIONAGE LAWS, TITLE 18, U.S.C., SECTIONS 793 AND 794, THE TRANSMISSION OR REVELATION OF WHICH IN ANY MANNER TO AN UNAUTHORIZED PERSON IS PROHIBITED BY LAW



ACTUAL OSCILLOGRAPH TIMING TRACE



3-DIGIT BINARY TIMING CODE

EXPLANATION OF TIMING TRACE

THIS MATERIAL CONTAINS INFORMATION AFFECTING THE NATIONAL DEFENSE OF THE UNITED STATES WITHIN THE MEANING OF THE ESPIONAGE LAWS, TITLE 18, U.S.C., SECTIONS 793 AND 794, THE TRANSMISSION OR REVELATION OF WHICH IN ANY MANNER TO AN UNAUTHORIZED PERSON IS PROHIBITED BY LAW



~~CONFIDENTIAL~~

GENERAL DYNAMICS | ASTRONAUTICS

REPORT NO. AE60-0653

6 DECEMBER 1961

This page intentionally left blank.

PAGE NO. 7-24

THIS MATERIAL CONTAINS INFORMATION AFFECTING THE NATIONAL DEFENSE OF THE UNITED STATES WITHIN THE MEANING OF THE ESPIONAGE LAW, TITLE 18, U.S.C., SECTIONS 793 AND 794. THE TRANSMISSION OR REVELATION OF WHICH IN ANY MANNER TO AN UNAUTHORIZED PERSON IS PROHIBITED BY LAW.

~~CONFIDENTIAL~~

## GENERAL DYNAMICS | ASTRONAUTICS

## SECTION 8

OSTF #2 MASTER INSTRUMENTATION LOG

The OSTF #2 Master Instrumentation Log presented in this section contains the latest available characteristics of the individual measurements.

	<u>MEASUREMENT RANGE</u>	<u>TRANSUCER IDENTIFICATION</u>
	Range of interest of the function being measured expressed in "units of function."	Convair part number of the transducer utilized for the measurement.
	<u>MEASUREMENT DESCRIPTION</u>	<u>ACCURACY REQUIREMENT</u>
	This is a brief, usually abbreviated, description of the measurement.	Present in units of the function measured.
		<u>UNITS OF FUNCTION</u>
<u>MEASUREMENT NUMBER</u>		
		<u>FREQUENCY RESPONSE</u>
		Denotes the frequency response requirements in cps of the instrumentation system for the measurement.
F 7001 P	LO <sub>2</sub> TANK PRESSURE	0 35
F 7003 P	FUEL TANK PRESSURE	0 75
		PIG
		.35
		20
		27-01271-7
		PIG
		.75
		20
		27-01271-8

NOTE: For a key to abbreviations and coding see the IBM code key of this report.

**BLANK PAGE**



SECTION 8

GENERAL DYNAMICS | ASTRONAUTICS

26 SEPTEMBER 1962

OSTF-2 OBJ COMPOSITE 26 SEP 62		AEG0-0653	123	123456	1234	123456	1	12345	002
-040	-	P7803T SKIN B2 HYPERGOL CTL							3
-045	-	P7806T SKIN SUS HYPERGOL CTL							3
-050	-	P7812T AMB SUS HYD CTL MAN							3
-055	-	P7813T AMB QUAD 4 STA 1205							3
-060	-	P7814T AMB QUAD 3 STA 1175							3
-065	-	P7815T AMB QUAD 2 STA 1245							3
-070	-	P7816T AMB QUAD 1 STA 1248							3
-075	-	P7817T AMB B1 NAC STA 1245							3
-080	-	P7818T AMB B2 NAC STA 1245							3
-085	-	P7819T AMB QUAD 2 STA 1234							3
-090	-	P7820T AMB B2 NAC STA 1156							3
-095	-	P7821T AMB B1 NAC STA 1156							3
-100	-	P7822T AMB B1 FUEL CTL VLV							3
-105	-	P7823T AMB B2 FUEL CTL VLV							3
-110	-	P7824T AMB QUAD 4 STA 1260							3
-115	-	P7825T SKIN B1 NAC STA 1220							3
-120	-	P7826T SKIN B2 NAC STA 1220							3
-125	-	P7827T SKIN X AXIS STA 1200							2
000	0-1-03-	FAC GOX VENT SYSTEM							3
-010	-	P7001P LOX TANK PRESSURE							3
-015	-	N7654R GOX VENT GAS FLOWRATE							3
-020	-	N7159T VENT GOX TEMP @ ELBOW							3
-025	-	N7160T VENT GOX TEMP @ FAN INL							3
-030	-	N7161T VENT GOX TEMP @ GATE INL							3
-035	-	P7549P LOX BTOR TK ULLAGE PRESS							3
000	001-04-	FAC ITEMS ADEQUACY	222	222222	2222	222222	22222		2
000	001-05-	FAC AIR CONDITIONING							2
-015	-	N7685J SILO UPPER RH HUM			1	111			3
-020	-	N7687J IGLOO RH HUM			1	111			3
-025	-	N7688J HSL COMPT RH HUM			1	111			3
-030	-	N7681J L/C EQUIP RH HUM							3
-035	-	N7682J SILO LOWER RH HUM			1	111			3
-040	-	N7655R XMST FAN 40-41 XMST FL/RT							3
-045	-	N7656R XMST FAN 30 XMST FL/RT							3

26 SEPTEMBER 1962

OSTF-2 OBJ	COMPOSITE	26 SEP 62	AE60-0653	123	123456	1234	123456	1	12345	003
-050	-	N7579T	AIR DUCT INLET TEMP					1	111	5
-055	-	N7580T	AIR DUCT OUTLET TEMP					1	111	5
-060	-	N7581T	SILO QUAD 2 LVL 1 TEMP						111	5
-065	-	N7582T	SILO QUAD 2 LVL 2 TEMP					1	111	5
-070	-	N7583T	SILO QUAD 2 LVL 3 TEMP						111	5
-075	-	N7584T	SILO QUAD 2 LVL 4 TEMP					1	111	5
-080	-	N7585T	SILO QUAD 2 LVL 5 TEMP						111	5
-085	-	N7586T	SILO QUAD 2 LVL 6 TEMP						111	5
-090	-	N7587T	SILO QUAD 2 LVL 7 TEMP						111	5
-095	-	N7588T	SILO QUAD 2 LVL 8 TEMP					1	111	5
-100	-	N7589T	HT RECOVERY H2O IN TEMP					1	111	5
-105	-	N7590T	ELEC BOILER H2O OUT TEMP					1	111	5
-110	-	N7597T	MSL COMPT LVL 1 TEMP					1	111	5
-115	-	N7598T	MSL COMPT LVL 2 TEMP					1	111	5
-120	-	N7599T	MSL COMPT LVL 3 TEMP					1	111	5
-125	-	N7600T	MSL COMPT LVL 4 TEMP					1	111	5
-130	-	N7601T	MSL COMPT LVL 5 TEMP					1	111	5
-135	-	N7602T	MSL COMPT LVL 6 TEMP					1	111	5
-140	-	N7603T	MSL COMPT LVL 7 TEMP					1	111	5
-145	-	N7604T	MSL COMPT LVL 8 TEMP					1	111	5
-150	-	N7605T	DUST SEP AIR OUT TEMP						111	5
-155	-	N7606T	COOLING TWR H2O IN TEMP							5
-160	-	N7607T	MSL COMPT AIR SUPPLY TEMP					1	111	5
-165	-	N7620T	H2O HT RECLAIMER TEMP					1	111	5
-170	-	N7621T	ELCT EQUIP AIR IN 1 TEMP						111	5
-175	-	N7622T	ELCT EQUIP AIR IN 2 TEMP						111	5
-180	-	N7623T	ELCT EQUIP AIR IN 3 TEMP						111	5
-185	-	N7624T	ELCT EQUIP AIR IN 4 TEMP						111	5
-190	-	N7625T	ELCT EQUIP AIR IN 5 TEMP						111	5
-195	-	N7626T	ELCT EQUIP AIR OUT 1 TEMP						111	5
-200	-	N7627T	ELCT EQUIP AIR OUT 2 TEMP						111	5
-205	-	N7628T	ELCT EQUIP AIR OUT 3 TEMP						111	5
-210	-	N7629T	ELCT EQUIP AIR OUT 4 TEMP						111	5
-215	-	N7630T	ELCT EQUIP AIR OUT 5 TEMP						111	5
-220	-	N7641T	POD AIR COND H2O IN TEMP					1	111	5
-225	-	N7642T	POD AIR COND H2O OUT TEMP					1	111	5

REPORT NO. AE60-0653

SECTION 8

GENERAL DYNAMICS | ASTRONAUTICS

26 SEPTEMBER 1962

OSTP-2 OBJ	COMPOSITE	26 SEP 62	AE60-0653	123	123456	1234	123456	1	12345	004
-230	-	N7643T	COOL COIL 10 H2O OUT TEMP							5
-235	-	N7644T	COOL COIL 40 H2O OUT TEMP	1		111				5
-240	-	N7645T	COOL COIL 41 H2O OUT TEMP	1						5
-245	-	N7646T	HEAT COIL 40 H2O IN TEMP	1		111				5
-250	-	N7647T	HEAT COIL 40 H2O OUT TEMP	1		111				5
-255	-	N7649T	MCU 50 H2O OUT TEMP	1		111				5
-260	-	N7650T	MCU 50.51 120 IN TEMP	1		111				5
-265	-	N7651T	LCC COLD H2O OUT TEMP							5
-270	-	N7746T	COOLING TWR H2O OUT TEMP							5
-275	-	N7807T	L/C EQUIP AIR RETURN TEMP							5
000	001-06-	L/P DRIVE SYSTEM								2
-015	-	N7842A	SILO L/P ACCELN Z1							5
-020	-	N7843A	SILO L/P ACCELN Z2							5
-025	-	N7844A	SILO L/P ACCELN Z3							5
-030	-	N7845A	SILO L/P ACCELN Z4							5
-035	-	N7846A	SILO L/P ACCELN X1							5
-040	-	N7847A	SILO L/P ACCELN X2							5
-045	-	N7848A	SILO L/P ACCELN X3							5
-050	-	N7849A	SILO L/P ACCELN X4							5
-060	-	N7803B	L/P DRIVE MOTOR SPEED	111	1	111		1	11	5
-065	-	N7908D	L/P DISPLACEMENT	111	1	111		1	11	5
-070	-	N7804F	DRIVE MOTOR TORQUE	111	1	111		1	11	5
-075	-	N7980L	7 IN. MOTION UP FAST							5
-080	-	N7981L	7 IN. MOTION UP SLOW							5
-085	-	N7982L	7 IN. MOTION DOWN SLOW							5
-090	-	N7962S	LOAD CELL QUAD 1 L/P							5
-095	-	N7963S	LOAD CELL QUAD 2 L/P							5
-100	-	N7964S	LOAD CELL QUAD 3 L/P							5
-105	-	N7965S	LOAD CELL QUAD 4 L/P							5
-110	-	N7500X	ZONE CHECK LS CLSD	111	1	111		1	11	5
-115	-	N7501X	1000 IN. LS CLSD	111	1	111		1	11	5
-120	-	N7502X	HI SPEED DECELN SW CLSD	111	1	111		1	11	5
-125	-	N7503X	UPR OVERSPEED ZONE LS CLSD	111	1	111		1	11	5
-130	-	N7504X	OVERSPEED SENSOR ENERGIZED	111	1	111		1	11	5
-135	-	N7513X	MSL LIFT DOWN & LOCKED	111	1	111		1	11	5





SECTION 8

GENERAL DYNAMICS | ASTRONAUTICS

26 SEPTEMBER 1962

OSTP-2 OBJ COMPOSITE 26 SEP 62		AE60-0653	123	123456	1234	123456	1	12345	006			
-035	-	H7507P	SYS HYD ACUM PRESS			111	1	111	1	11	5	
-040	-	H7516P	L/P LOCK-LOCKING PRESS								5	
-045	-	H7527P	WEDGE LKS CYL ROD PRESS								5	
-050	-	H7528P	WEDGE LKS CYL HD PRESS								5	
-055	-	H7976P	L/P LOCK-UNLOCKING PRESS								5	
-060	-	H7194X	L/P WEDGE LKS PRESS								5	
-065	-	H7195X	L/P WEDGE LKS RETR								5	
-070	-	H7196X	L/P MAIN LKS PRESS								5	
-075	-	H7197X	L/P MAIN LKS RETR								5	
-080	-	H7198X	WEDGE LKS CTL VLV CLSD								5	
-085	-	H7199X	WEDGE LKS CTL VLV OPEN								5	
-090	-	H7200X	MAIN LKS CTL VLV CLSD								5	
-095	-	H7201X	MAIN LKS CTL VLV OPEN								5	
-100	-	H7807X	L/P LK ASSY /RETRACT/ OPEN								5	
-105	-	H7812X	L/P LK ASSY /EXTEND/ CLSD								5	
000	001-10-	L/P LOCKING SYS		22				1	111		2	
-025	-	H7516P	L/P LOCK-LOCKING PRESSURE					1	111		5	
-030	-	H7527P	WEDGE LKS CYL ROD PRESS					1	111		5	
-035	-	H7528P	WEDGE LKS CYL HD PRESS					1	111		5	
-040	-	H7529P	L/P BRAKE PRESS			111	1	111		1	11	5
-045	-	H7976P	L/P LOCK-UNLOCKING PRESS					1	111		5	
-050	-	H7194X	L/P WEDGE LKS PRESS	11		111	1	111		1	11	5
-055	-	H7195X	L/P WEDGE LKS RETR	11		111	1	111		1	11	5
-060	-	H7196X	L/P MAIN LKS PRESS	11		111	1	111		1	11	5
-065	-	H7197X	L/P MAIN LKS RETR	11		111	1	111		1	11	5
-070	-	H7198X	WEDGE LKS CTL VLV CLSD	11		111	1	111		1	11	5
-075	-	H7199X	WEDGE LKS CTL VLV OPEN	11		111	1	111		1	11	5
-080	-	H7200X	MAIN LKS CTL VLV CLSD	11		111	1	111		1	11	5
-085	-	H7201X	MAIN LKS CTL VLV OPEN	11		111	1	111		1	11	5
-090	-	H7807X	L/P LK ASSY /RETRACT/ OPEN	11		111	1	111		1	11	5
-095	-	H7812X	L/P LK ASSY /EXTEND/ CLSD	11		111	1	111		1	11	5
-090	-	H7813X	SOL 1 L/P BK CTL VLV	11							5	
-095	-	H7972Y	PRESS SWITCH RETURN	11		111	1	111		1	11	5
000	001-11-	105 SILO COMPATIBILITY		2	2						2	

OSTF-2 OBJ	COMPOSITE	24 SEP 62	AE60-0653	123	123456	1234	123456	1	12345	007
000	001-12-	PROP HANDLING SYSTEM								2
-040	-	P7546P GN2 STOR TK DISCH PRESS								5
-045	-	P7547T GN2 STOR TK DISCH TEMP								5
000	001-13-	FACILITY SUPPLY POWER								2
000	001-14-	28 VDC POWER								2
-035	-	E7003V 28 VDC GND VOLTAGE								5
000	001-15-	400 CYCLE GEN ADEQUACY.								2
000	00-16-	FAC TRANSFORMER ADEQ								2
000	001-17-	48 V BAT CHARGER								2
000	001-18-	BONDING & GNDING SURVEY		111						2
000	001-19-	VIBRATION EVALUATION				11				2
-035	-	N7829A L/P ACCELN 1				11				5
-040	-	N7830A L/P ACCELN 2				11				5
-045	-	N7831A L/P ACCELN 3				11				5
-050	-	N7832A L/P ACCELN 4				11				5
-055	-	N7833A L/P ACCELN 5				11				5
-060	-	N7834A L/P ACCELN 6				11				5
-065	-	N7835A CRIB ACCELN 7				11				5
-070	-	N7836A CRIB ACCELN 8				11				5
-075	-	N7837A CRIB ACCELN 9				11				5
-080	-	N7838A CRIB ACCELN 10				11				5
-085	-	N7839A CRIB ACCELN 11				11				5
-090	-	N7840A CRIB ACCELN 12				11				5
000	001-20-	MAINT FAC ADEQUACY		222	222222	222	222222	2	22222	2
000	002-01-	HANDLING ADEQUACY		1	2	2	2	1	2	2

REPORT NO. AE60-0653

SECTION 8

26 SEPTEMBER 1962

GENERAL DYNAMICS | ASTRONAUTICS

05TF-2 OBJ COMPOSITE 26 SEP 62		AE60-0653	123	123456	1234	123456	1	12345	000
000	002-02-	EFFECTS OF TRANSPORT	3	2	2	2		2	2
000	002-03-	DECOY TRANSPORTATION ADEQUACY						2	2
000	002-04-	PROPULSION LEAK CHECK							2
000	003-01-	MSL POD AIR CONDITIONING	22						2
-015	-	A7901T ROTARY INV SKIN TEMP	11						3
-020	-	A7905T TLM XMTR SKIN TEMP	11						3
-025	-	A7906T ROTARY INV AMB AIR TEMP	11						3
-030	-	A7907T ARMA PLAT AMB AIR TEMP	11						3
-035	-	A7908T ARMA COMPT AMB AIR TEMP	11						3
-040	-	A7909T TLM XMTR AMB AIR TEMP	11						3
-045	-	A7911T W2 POD INLET AIR TEMP	11						3
-050	-	N7046J B1 POD INLET AIR HUM	11						3
-055	-	N7050R B2 POD AIR FLOW QUAD	11						3
-060	-	N7154T B1 POD AIR INLET TEMP	11						3
-065	-	N7641T POD AIR COND H2O IN TEMP	11						3
-070	-	N7642T POD AIR COND H2O OUT TEMP	11						3
000	003-02-	PCU & PDU EVALUATION	222			1			2
-015	-	F7001P LOX TANK PRESSURE	111	111	1	111	1	11	3
-020	-	F7003P FUEL TANK PRESSURE	111	111	1	111	1	11	3
-025	-	F7005P FUEL TK PRESS DUCT @ PCU	111	111	1	111	1	11	3
-030	-	F7006P FUEL TK PRESS DUCT @ R-O-D	111						3
-035	-	F7012P LOX TK PRESS DUCT @ PCU	111	111	1	111	1	11	3
-040	-	F7013P LOX TK PRESS DUCT @ R-O-D	111						3
-045	-	F7723P HE SUPPLY 1 @ PDU	111						3
-046	-	F7724P HE SUPPLY 2 @ PDU	111						3
-055	-	F7725P GNS SUPPLY PRESS @ PDU	111						3
-060	-	F7727P REGULATED INST AIR PRESS	111						3
-065	-	F7731P HE SUPPLY 2 @ TEST PT E				1			3
-068	-	F7017T FUEL TK PRESS DUCT TEMP	111						3
-070	-	F7018T LOX TK PRESS DUCT TEMP	111						3
-075	-	N7500X ZONE CHECK LB CLSD				111	1	111	1

GENERAL DYNAMICS | ASTRONAUTICS

26 SEPTEMBER 1962

OSTF-2 OBJ COMPOSITE 26 SEP 62		AE60-0653	123	123456	1234	123456	1	12345	009	
-080	-	N7505X B/O VLV CLSD			111	1	111	1	11	5
-085	-	N7506X DP NOT LOW			111	1	111	1	11	5
-089	-	N7515X LSR FUEL TANK PRESS			111	1	111	1	11	5
-090	-	N7516X RAISE FUEL TK PRESS			111	1	111	1	11	5
-095	-	N7529X PNEU INTERNAL GREEN			111	1	111	1	11	5
-100	-	N7530X PNEU PH 2 AMBER			111	1	111	1	11	5
-105	-	N7531X HE LOAD AMBER			111	1	111	1	11	5
000	003-03-	GND HE SYS SUFFICIENCY			222					2
-015	-	F7001P LOX TANK PRESSURE			111					5
-020	-	F7003P FUEL TANK PRESSURE			111					5
-025	-	F7723P HE SUPPLY 1 @ PDU			111					5
-030	-	F7724P HE SUPPLY 2 @ PDU			111					5
-035	-	N7522X HE VLV 14 OPEN			111	1	111	1	11	5
-040	-	N7531X HE LOAD AMBER			111	1	111	1	11	5
000	003-04-	HE SYS CAPABILITY			222					2
-010	-	F7001P LOX TANK PRESSURE			111					5
-015	-	F7003P FUEL TANK PRESSURE			111					5
-020	-	F7246P B TK HE BTL HI PRESS			111					5
-025	-	F7717P GND HT XCHGR HE OUT PRESS			111					5
-030	-	F7723P HE SUPPLY 1 @ PDU			111					5
-035	-	F7724P HE SUPPLY 2 @ PDU			111					5
-040	-	F7735P HE SUP TO MSL PRESS @ MCU			111					5
-045	-	F7248T HE TEMP HI 4 BTL			111					5
-050	-	F7249T HE TEMP LO 4 BTL			111					5
-055	-	F7250T HE TEMP LO 2 BTL			111					5
-060	-	F7736T HE SUP TO MSL TEMP @ MCU			111					5
-065	-	F7738T FUEL TK HE BEND LINE TEMP			111	1	111	1	11	5
-070	-	N7531X HE LOAD AMBER			111	1	111	1	11	5
-075	-	N7525X VENT HE BTL			111	1	111	1	11	5
000	003-05-	INSTRUMENT AIR			222					2
-020	-	F7727P REGULATED INST AIR PRESS			111					5
-025	-	N7520X INSTR AIR BELOW 50			111	1	111	1	11	5

SECTION 8

GENERAL DYNAMICS | ASTRONAUTICS

26 SEPTEMBER 1962

OSTF-1 OBJ COMPOSITE 26 SEP 62		AE60-0653	123	123456	1234	123456	1	12345	010
000	003-06-	EVAL HYD SYSTEM						1	2
-010	-	M 33P B1 HYD ACUM PRESS						1	3
-015	-	M 140P VERNIER HYD PRESS						1	5
-020	-	M 185P SUS HYD PUMP IN PRESS						1	5
-035	-	N7526X HYD PRESS						111 1 111 1 11	3
000	003-07-	TOOLS SUFFICIENCY	222	222222	222	222222	3	22222	2
000	003-08-	FLUID CONSUMPTION		222222	2222	222222		22222	2
000	003-09-	LN2 COOLING ADEQUACY	222						2
-025	-	F7020P LN2 PRESS @ R-O-O	111						5
-030	-	F7713P A/B LN2 SHROUD PRESS	111						5
-035	-	F7716P GND HT XCHGR HE IN PRESS	111						5
-040	-	F7717P GND HT XCHGR HE OUT PRESS	111						5
-045	-	F7720P LN2 STOR TK XFR PRESS	111						5
-050	-	F7719P LN2 STOR TK OUT FL/RT	111						5
-055	-	F7248T HE TEMP HI @ BTL	111						5
-060	-	F7249T HE TEMP LO @ BTL	111						5
-065	-	F7250T HE TEMP LO @ BTL	111						5
-070	-	F7714T GND HT XCHGR HE IN PRESS	111						5
-075	-	F7715T GND HT XCHGR HE OUT PRESS	111						5
-080	-	F7745T HE SHIP TO HSL TEMP @ R-O-O	111						5
000	003-10-	COLLIMATOR REF PRISM STABIL	333	2	2	2			2
000	003-11-	ACSIG & AGSP STABILITY	333	2	2	2	2		2
000	003-12-	HGB STATUS	222	11212	212	2	211	111	2
-015	-	A7902T ARMA PLAT SKIN TEMP FWD	222	22222					5
-020	-	A7903T ARMA PLAT WAIN TEMP AFT	222	22222					5
-025	-	A7904T ARMA CONTROL SKIN TEMP	222	22222					5
-030	-	A7912T AIG POD INNER SKIN TEMP	222	22222					5
-035	-	I7919A ACCELEROMETER XPI	111	11111	111	1	111		5
-040	-	I7916A ACCELEROMETER YPI	111	11111	111	1	111		5
-045	-	I7917A ACCELEROMETER ZPI	111	11111	111	1	111		5

## GENERAL DYNAMICS | ASTRONAUTICS

26 SEPTEMBER 1962

OSTF-2 OBJ COMPOSITE 26 SEP 62		AE60-0653	123	123456	1234	123456	1	12345	011
-050	-	17518A ACCELEROMETER XF2	111	11111	111	1	111		5
-055	-	17519A ACCELEROMETER YF2	111	11111	111	1	111		5
-060	-	17520A ACCELEROMETER ZF2	111	11111	111	1	111		5
-065	-	17591C PITCH GYRO TORQUE	222	22222					5
-070	-	17592C ROLL GYRO TORQUE	222	22222	222	2	211		5
-075	-	17593C YAW GYRO TORQUE	222	22222	222	2	222		5
-080	-	17501D OPTICAL AZIMUTH SIG	111	11111	111	1	111		5
-085	-	17511D ROLL PENDULUM	111	11111	111	1	111		5
-090	-	17512D PITCH PENDULUM	111	11111	111	1	111		5
-095	-	17549D PITCH SERVO ERROR	222	22222	222	2	222		5
-100	-	17550D ROLL SERVO ERROR	222	22222	222	2	222		5
-105	-	17551D AZIMUTH SERVO ERROR	222	22222	222	2	222		5
-110	-	17552D REDNT GYRO PICK-OFF	111	11111	111	1	111		5
-115	-	17572D ROLL MEMORY	111	11111	111	1	111		5
-120	-	17573D PITCH MEMORY	111	11111	111	1	111		5
-125	-	17574D AZIMUTH MEMORY	111	11111	111	1	111		5
-130	-	17576D ZERO LAG OUTPUT	222	22222	222	2	222		5
-135	-	17509M COMPUTER POSITION X	111	11111	111	1	111		5
-140	-	17506M COMPUTER POSITION Y	111	11111	111	1	111		5
-145	-	17507M COMPUTER POSITION Z	111	11111	111	1	111		5
-150	-	17508M DOWN RANGE ERROR FUNCTION	111	11111	111	1	111		5
-155	-	17509M CROSS RANGE ERROR FUNCTION	111	11111	111	1	111		5
-160	-	17502L COMPUTER VELOCITY X	111	11111	111	1	111		5
-165	-	17503L COMPUTER VELOCITY Y	111	11111	111	1	111		5
-170	-	17504L COMPUTER VELOCITY Z	111	11111	111	1	111		5
-175	-	17538D ALNMT GROUP RADIAL	222	22222					5
-180	-	17539D ALNMT GROUP TANG	222	22222					5
-185	-	17542D ALNMT GROUP AXIAL	222	22222					5
-190	-	17015T COMPUTER EXHAUST TEMP	111	11111					5
-195	-	17528V YAW STEERING SIG	111	11	1	111	1	111	5
-200	-	17529V ROLL RESOLVER SIG	111	11111	111	1	111		5
-205	-	17530V PITCH RESOLVER SIG	111	11111	111	1	111		5
210	-	17540V TEMP CTL AMP OUT	222	22222					5
-215	-	17580V AZIMUTH RESOLVER SIG	111	11111	111	1	111		5
-220	-	17510W ELAPSED TIME	111	11111	111	1	111		5
-225	-	17521X VERNIER ENG CUTOFF SIG	111	11111	111	1	111		5

26 SEPTEMBER 1962

OSTF-2 OBJ COMPOSITE 26 SEP 62		AE60-0653	123	123456	1234	123456	1	12345	012
-230	-	17522X	SUS ENG CUTOFF SIG	111	11111	111	1	111	3
-235	-	17527X	PRE-ARM RELAY CLSD	111	11111	111	1	111	3
-240	-	17537X	ELEVATION WARNING	111	11111	111	1	111	3
-245	-	17570X	STAGING SIGNAL	111	11111	111	1	111	3
-250	-	17611X	START COUNTDOWN	111	11111	111	1	111	3
-255	-	17612X	START FINE ALNMT-TRIG MODE	111	11111	111	1	111	3
-260	-	17613X	Z AXIS VERT-FINE ALNMT	111	11111	111	1	111	3
-265	-	17614X	FINE ALNMT COMPLETE	111	11111	111	1	111	3
-270	-	17615X	COMPUTER TEST COMPLETE	111	11111	111	1	111	3
-275	-	17616X	ST X ACCELEROMETER OFFSET	111	11111	111	1	111	3
-280	-	17617X	ACCELEROMETER TEST COMPL	111	11111	111	1	111	3
-285	-	17618X	165 READY	111	11111	111	1	111	3
-290	-	17619X	GO INERTIAL COMMAND	111	11111	111	1	111	3
-295	-	17620X	H65 INERTIAL	111	11111	111	1	111	3
-300	-	17621X	ZERO Z ACCELEROMETER COMPL	111	11111	111	1	111	3
-305	-	17622X	SCALE X PLUS 10	111	11111	111	1	111	3
-310	-	17623X	SCALE X MINUS 10	111	11111	111	1	111	3
-315	-	17624X	START ZERO X ACCELEROMETER	111	11111	111	1	111	3
-320	-	17625X	RETURN TO READY REQ	111	11111	111	1	111	3
-325	-	17626X	RETURN TO READY COMPLETE	111	11111	111	1	111	3
-330	-	17627X	GO ON VERT MEMORY	111	11111	111	1	111	3
-335	-	17628X	GO ON AZIMUTH MEMORY	111	11111	111	1	111	3
-340	-	17630X	GYRO A IN BAND	111	11111	111	1	111	3
-345	-	17631X	GYRO B IN BAND	111	11111	111	1	111	3
-346	-	N7050R	B2 POD AIR FLOW QUAD 2			1		111	3
-347	-	N7195R	B2 POD AIR FLOW QUAD 3			1		111	3
-348	-	N7048T	B2 AIR INLET TEMP QUAD 2			1		111	3
-349	-	N7196T	B2 AIR INLET TEMP QUAD 3			1		111	3
-350	-	N7517X	GUID FAIL MARGINAL			111	1	111	3
-355	-	N7527X	GUIDANCE STANDBY			111	1	111	3
-360	-	N7534X	GUIDANCE COMMIT			111	1	111	3
-365	-	N7537X	GUID READY AMBER			111	1	111	3
000	003-13-	R/V TOOLS ADEQUACY		1	2	2	2	3 2	3
000	003-14-	R/V PRE-LNCH MONITORING		222	2	2 2			2

GENERAL DYNAMICS | ASTRONAUTICS

26 SEPTEMBER 1962

OSTF-2 OBJ COMPOSITE 26 SEP 62		AE60-0653	123	123456	1234	123456	1	12345	013	
-015	-	N7524X R/V BAT TEMP			111	1	111	1	11	5
-020	-	Y7054X LAUNCH CONTROL POWER		111	111	1	111	1	11	5
-025	-	Y7055X START COUNTDOWN POWER		111	111	1	111	1	11	5
-030	-	Y7056X 28 VDC VERIFICATION		111	111	1	111	1	11	5
-035	-	Y7061X MARK A R/V		111	111	1	111	1	11	5
-040	-	Y7064X 115 VAC VERIFICATION		111	111	1	111	1	11	5
-045	-	Y7065X START COUNTDOWN VERIFY		111	111	1	111	1	11	5
-050	-	Y7066X TARGET A SET		111	111	1	111	1	11	5
-055	-	Y7067X TARGET B SET		111	111	1	111	1	11	5
-060	-	Y7071X START COUNTDOWN SIGNAL		111	111	1	111	1	11	5
-065	-	Y7072X 28 VDC RECEIVER		111	111	1	111	1	11	5
000	003-15-	R/V SELF-TEST CAPABILITY	2	2	2		2			2
-015	-	Y7052X R/V BAT HTR THERMSTAT	1	1	1					5
-020	-	Y7059X R/V CONTINUITY	1	1	1					5
-025	-	Y7062X R/V TACTICAL	1	1	1					5
-030	-	Y7069X TARGET A SELECT	1	1	1					5
-035	-	Y7070X TARGET B SELECT	1	1	1					5
000	003-16-	R/V ELECTRICAL CHECKOUT	2	2	2					2
-015	-	Y7059X R/V COUNTINUITY	1	1	1					5
-020	-	Y7062X R/V TACTICAL	1	1	1					5
-025	-	Y7069X TARGET A SELECT	1	1	1					5
-030	-	Y7070X TARGET B SELECT	1	1	1					5
000	003-18-	ELECTROMAGNETIC INTERFERENCE TEST						1	11	2
000	003-19-	EMI ON ARMA LINES		111						2
000	003-23-	EMI ON ACOUSTICA LINES		222						2
000	003-24-	ALIGNMENT DATA		11		2	2	2		2
-015	-	A7903T ARMA PLAT SKIN TEMP FWD		22						5
-020	-	A7903T ARMA PLAT SKIN TEMP APT		22						5
-025	-	A7904T ARMA CONTROL SKIN TEMP		22						5
-030	-	A7912T AIG POD INNER SKIN TEMP		22						5
-035	-	I7915A ACCELEROMETER XPI		11		1	1	1		5



## SECTION 8

## GENERAL DYNAMICS | ASTRONAUTICS

28 SEPTEMBER 1962

OSTF-2 OBJ COMPOSITE 26 SEP 62 AE60-0653 123 123456 1234 123456 1 12345

014

-040	-	17516A	ACCELEROMETER YF1	11	1 1	1	5
-045	-	17517A	ACCELEROMETER ZF1	11	1 1	1	5
-050	-	17518A	ACCELEROMETER XF2	11	1 1	1	5
-051	-	17519A	ACCELEROMETER YF2	11	1 1	1	5
-055	-	17520A	ACCELEROMETER ZF2	11	1 1	1	5
-060	-	17591C	PITCH GYRO TORQUE	22			5
-065	-	17592C	ROLL GYRO TORQUE	22	2 2	2	5
-070	-	17593C	YAW GYRO TORQUE	22	2 2	2	5
-075	-	17501D	OPTICAL AZIMUTH SIG	11	1 1	1	5
-080	-	17511D	ROLL PENDULUM	11	1 1	1	5
-085	-	17512D	PITCH PENDULUM	11	1 1	1	5
-090	-	17549D	PITCH SERVO ERROR	22	2 2	2	5
-095	-	17550D	ROLL SERVO ERROR	22	2 2	2	5
-100	-	17551D	AZIMUTH SERVO ERROR	22	2 2	2	5
-105	-	17552D	REDNT GYRO PICK-OFF	11	1 1	1	5
-110	-	17572D	ROLL MEMORY	11	1 1	1	5
-115	-	17573D	PITCH MEMORY	11	1 1	1	5
-120	-	17574D	AZIMUTH MEMORY	11	1 1	1	5
-125	-	17576D	ZERO LAG OUTPUT	22	2 2	2	5
-130	-	17505M	COMPUTER POSITION X	11	1 1	1	5
-135	-	17506M	COMPUTER POSITION Y	11	1 1	1	5
-140	-	17507M	COMPUTER POSITION Z	11	1 1	1	5
-145	-	17508M	DOWN RANGE ERROR FUNCTION	11	1 1	1	5
-150	-	17509M	CROSS RANGE ERROR FUNCTION	11	1 1	1	5
-155	-	17502L	COMPUTER VELOCITY X	11	1 1	1	5
-160	-	17503L	COMPUTER VELOCITY Y	11	1 1	1	5
-165	-	17504L	COMPUTER VELOCITY Z	11	1 1	1	5
-170	-	175380	ALIGNMENT GROUP RADIAL	22			5
-175	-	175390	ALIGNMENT GROUP TAN	22			5
-180	-	175420	ALIGNMENT GROUP AXIAL	22			5
-185	-	17015T	COMPUTER EXHAUST TEMP	11			5
-190	-	17528V	YAW STEERING SIG	11	1 1	1	5
-195	-	17529V	ROLL RESOLVER SIG	11	1 1	1	5
-200	-	17530V	PITCH RESOLVER SIG	11	1 1	1	5
-205	-	17540V	TEMP CTL AND OUT	11			5
-210	-	17580V	AZIMUTH RESOLVER SIG	11	1 1	1	5

26 SEPTEMBER 1962

OSTF-2 OBJ	COMPOSITE	26 SEP 62	AE60-0653	123	123456	1234	123456	1	12345	015
-215	-	17510W	ELAPSED TIME				1 1		1	5
-220	-	17521W	VERNIER ENG CUTOFF SIG	11			1 1		1	5
-225	-	17522X	SUS ENG CUTOFF SIG	11			1 1		1	5
-230	-	17527X	PRE-ARM RELAY CLSD	11			1 1		1	5
-235	-	17537X	ELEVATION WARNING	11			1 1		1	5
-240	-	17570X	STAGING SIGNAL	11			1 1		1	5
-245	-	17611X	START COUNTDOWN	11			1 1		1	5
-250	-	17612X	START FINE ALNMT-TRIG MODE	11			1 1		1	5
-255	-	17613X	Z AXIS VERT-FINE ALNMT	11			1 1		1	5
-260	-	17614X	FINE ALNMT COMPLETE	11			1 1		1	5
-265	-	17615X	COMPUTER TEST COMPLETE	11			1 1		1	5
-270	-	17616X	ST X ACCELEROMETER OFFSET	11			1 1		1	5
-275	-	17617X	ACCELEROMETER TEST COMPL	11			1 1		1	5
-280	-	17618X	IGS READY	11			1 1		1	5
-285	-	17619X	GO INERTIAL COMMAND	11			1 1		1	5
-290	-	17620X	HGS INERTIAL	11			1 1		1	5
-295	-	17621X	ZERO Z ACCELEROMETER COMFL	11			1 1		1	5
-300	-	17622X	SCALE X PLUS 1G	11			1 1		1	5
-305	-	17623X	SCALE X MINUS 1G	11			1 1		1	5
-310	-	17624X	ST ZERO X ACCELEROMETER	11			1 1		1	5
-315	-	17625X	RETURN TO READY REQ	11			1 1		1	5
-320	-	17626X	RETURN TO READY COMPLETE	11			1 1		1	5
-325	-	17627X	GO ON VERT MEMORY	11			1 1		1	5
000	003-25-	HGS STATUS /W/S EMI TESTS/								2
000	003-26-	SOLV TK PRESS G-2000		2		2				2
000	003-28-	DECOY SUBSYSTEM HGE ADEQUACY.								2
000	004-01-	MAPCHE MISSILE CHECKOUT AT MANS								2
000	004-02-	MAPCHE MSL C/O AT LAUNCH SITE								2
000	004-03-	OGE/HGE-MAPCHE-FAC-MSL COMPAT								2

REPORT NO. AE60-0653

SECTION 8

GENERAL DYNAMICS | ASTRONAUTICS

26 SEPTEMBER 1962

OSTF-2 OBJ COMPOSITE 26 SEP 62		AE60-0653	123	123456	1234	123456	1	12345	016
000	004-04-	IGS-MAPCHE COMPAT	2	2	2	2			2
-015	-	17505H COMPUTER POSITION X	1	1	1	1			5
-020	-	17506H COMPUTER POSITION Y	1	1	1	1			5
-025	-	17507H COMPUTER POSITION Z	1	1	1	1			5
-030	-	17508H RANGE ERROR FUNCTION	1	1	1	1			5
-035	-	17509H AZIMUTH ERROR FUNCTION	1	1	1	1			5
-040	-	17502L COMPUTER VELOCITY X	1	1	1	1			5
-045	-	17503L COMPUTER VELOCITY Y	1	1	1	1			5
-050	-	17504L COMPUTER VELOCITY Z	1	1	1	1			5
-055	-	17528V YAW STEERING SIGNAL	1	1	1	1			5
-060	-	17529V ROLL RESOLVER SIGNAL	1	1	1	1			5
-065	-	17530V PITCH RESOLVER SIGNAL	1	1	1	1			5
-070	-	17580V AZM RESOLVER SIGNAL	1	1	1	1			5
-075	-	17510W ELAPSED TIME	1	1	1	1			5
-080	-	17521X VERN ENG CUTOFF SIGNAL	1	1	1	1			5
-085	-	17522X SUS ENG CUTOFF SIGNAL	1	1	1	1			5
-090	-	17527X PRE-ARM RELAY CLSD	1	1	1	1			5
-095	-	17570X STAGING SIGNAL	1	1	1	1			5
000	004-05-	MAPCHE-PU COMPAT	2	2	2	2			2
000	005-01-	IGS STABILITY	2	2	111				2
-015	-	A7902T ARMA PLAT SKIN TEMP FWD	2						5
-020	-	A7903T ARMA PLAT SKIN TEMP AFT	2						5
-025	-	A7904T ARMA CONTROL SKIN TEMP	2						5
-030	-	A7907T ARMA PLAT AMB AIR TEMP	2						5
-035	-	A7912T AIG POD INNER SKIN TEMP	2						5
-040	-	H7807X L/P LOCK ASSY OPEN	2	2	2 2				5
-045	-	H7812X L/P LOCK ASSY CLSD	2	2	2 2				5
-050	-	17519A ACCELEROMETER XF1	2	2	2 2				5
-055	-	17516A ACCELEROMETER YF1	2	2	2 2				5
-060	-	17517A ACCELEROMETER ZF1	2	2	2 2				5
-065	-	17518A ACCELEROMETER XF2	2	2	2 2				5
-070	-	17519A ACCELEROMETER YF2	2	2	2 2				5
-075	-	17520A ACCELEROMETER ZF2	2	2	2 2				5
-080	-	17591C PITCH GYRD TORQUE	2						5

OSTF-2 OBJ	COMPOSITE	26 SEP 62	AE60-0653	123	123456	1234	123456	1	12345	017
-085	-	17592C	ROLL GYRO TORQUE	2		2	2	2		5
-090	-	17593C	YAW GYRO TORQUE	2		2	2	2		5
-095	-	17501D	OPTICAL AZIMUTH SIGNAL	2		2	2	2		5
-100	-	17511D	ROLL PENDULUM	2		2	2	2		5
-105	-	17512D	PITCH PENDULUM	2		2	2	2		5
-110	-	17505H	COMPUTER POSITION X	2		2	2	2		5
-115	-	17506H	COMPUTER POSITION Y	2		2	2	2		5
-120	-	17507H	COMPUTER POSITION Z	2		2	2	2		5
-125	-	17508H	DOWN RANGE ERROR FUNCTION	2		2	2	2		5
-130	-	17509H	CROSS RANGE ERROR FUNCTION	2		2	2	2		5
-135	-	17502L	COMPUTER VELOCITY X	2		2	2	2		5
-140	-	17503L	COMPUTER VELOCITY Y	2		2	2	2		5
-145	-	17504L	COMPUTER VELOCITY Z	2		2	2	2		5
-150	-	17015T	COMPUTER EXHAUST	2						5
-155	-	17528V	YAW STEERING SIGNAL			2	2	2		5
-160	-	17529V	ROLL RESOLVER SIGNAL	2		2	2	2		5
-165	-	17530V	PITCH RESOLVER SIGNAL	2		2	2	2		5
-170	-	17540V	TEMP CONTROL AMP OUT	2						5
-175	-	17580V	AZIMUTH RESOLVER SIGNAL	2		2	2	2		5
-180	-	17510W	ELAPSED TIME	2		2	2	2		5
-185	-	17537X	ELEVATION WARNING	2		2	2	2		5
-190	-	17611X	START COUNTDOWN	2		2	2	2		5
-195	-	17612X	START FINE ALNMT-TRIG MODE	2		2	2	2		5
-200	-	17613X	Z AXIS VERT-FINE ALNMT	2		2	2	2		5
-205	-	17614X	FINE ALNMT COMPLETE	2		2	2	2		5
-210	-	17615X	COMPUTER TEST COMPLETE	2		2	2	2		5
-215	-	17616X	ST X ACCELEROMETER OFFSET	2		2	2	2		5
-220	-	17617X	ACCELEROMETER TEST COMPLETE	2		2	2	2		5
-225	-	17618X	IGS READY	2		2	2	2		5
-230	-	17619X	GO INERTIAL COMMAND	2		2	2	2		5
-235	-	17620X	MGS INERTIAL	2		2	2	2		5
-240	-	17621X	ZERO Z ACCELEROMETER COMPL	2		2	2	2		5
-245	-	17622X	SCALE X PLUS 1G	2		2	2	2		5
-250	-	17623X	SCALE X MINUS 1G	2		2	2	2		5
-255	-	17624X	START ZERO X ACCELEROMETER	2		2	2	2		5
-260	-	17625X	RETURN TO READY REG	2		2	2	2		5

REPORT NO. AE60-0653

SECTION 8

GENERAL DYNAMICS | ASTRONAUTICS

26 SEPTEMBER 1962

OSTF-2 OBJ COMPOSITE 26 SEP 62		AE60-0653	123	123456	1234	123456	1	12345	018
-265	-	17626X RETURN TO READY COMP	2		2	2	2		5
-270	-	17627X GO ON VERT MEMORY	2		2	2	2		5
-275	-	17628X GO ON AZIMUTH MEMORY	2		2	2	2		5
-280	-	17630X GYRO A IN BAND	2		2	2	2		5
-285	-	17631X GYRO B IN BAND	2		2	2	2		5
-290	-	N7032T GUIDANCE POD XHST TEMP	2						5
000	005-02-	FAC AIR CONDITIONING			1	111			2
000	005-03-	THR SECT HEATER ADEQ	2						2
000	005-04-	28VDC POWER							2
000	005-05-	400 CYCLE GEN ADEQUACY							2
000	005-06-	MSL POD AIR CONDITIONING	22						2
000	005-07-	PCU EVALUATION	222			2			2
000	005-08-	AC SIG & AGSP STABILITY	333	2	2	2			2
000	005-09-	R/V PRE-LNCH MONITORING	222	222	2	2			2
000	005-10-	FUEL THERMAL COMPENSATION							2
000	005-11-	PU SENSOR READINESS	22222	222	2	2			2
000	005-12-	PROP SYS READINESS	11	222	2	2			2
000	006-01-	OGE RESPONSE TO L/C	22222						2
-015	-	N7002X SELECT A BUTTON	11111	111	1	111	1	11	5
-020	-	N7003X SELECT B BUTTON	11111	111	1	111	1	11	5
-025	-	N7030X ALARM RESET SWITCH	11111	111	1	111	1	11	5
-030	-	N7042X START ABORT SWITCH	11111	111	1	111	1	11	5
000	006-02-	COUNTDOWN TIME	22222	222	2	222	2	22	2

GENERAL DYNAMICS | ASTRONAUTICS

26 SEPTEMBER 1962

OSTF-2 OBJ COMPOSITE 26 SEP 62		AE60-0653	123	123456	1234	123456	1	12345	019			
-045	-	N7509X	READY FOR COMMIT			111	1	111	1	11	5	
-050	-	N7514X	AUTOPILOT ON AMBER			111	1	111	1	11	5	
-055	-	N7529X	PNEU INTERNAL GREEN			111	1	111	1	11	5	
-060	-	N7530X	PNEU PH 2 AMBER			111	1	111	1	11	5	
-065	-	N7531X	ME LOAD AMBER			111	1	111	1	11	5	
-070	-	N7533X	ENGINE START AMBER			111	1	111	1	11	5	
-075	-	N7535X	PWR INTERNAL GREEN			111	1	111	1	11	5	
000	006-03-	OGE DEFICIENCIES				22222	222	22222		2222	2	
000	006-04-	L/C SAFE STATUS				333					2	
-050	-	N7513X	MSL LIFT DOWN & LOCKED				111	1			5	
000	006-05-	R/V PRE-LNCH MONITOR EVAL				222	2				2	
-020	-	Y7052X	R/V BAT HTR THERMOSTAT			111	111	1	111	1	11	5
-025	-	Y7054X	LAUNCH CONTROL POWER			111	111	1	111	1	11	5
-030	-	Y7055X	START COUNTDOWN POWER			111	111	1	111	1	11	5
-035	-	Y7056X	28 VDC VERIFICATION			111	111	1	111	1	11	5
-040	-	Y7059X	R/V CONTINUITY			111	111	1	111	1	11	5
-045	-	Y7061X	MARK 4 R/V			111	111	1	111	1	11	5
-050	-	Y7062X	R/V TACTICAL			111	111	1	111	1	11	5
-055	-	Y7064X	115 VAC VERIFICATION			111	111	1	111	1	11	5
-060	-	Y7065X	START COUNTDOWN VERIFY			111	111	1	111	1	11	5
-065	-	Y7066X	TARGET A SET			111	111	1	111	1	11	5
-070	-	Y7067X	TARGET B SET			111	111	1	111	1	11	5
-075	-	Y7068X	MARK 3 R/V			111	111	1	111	1	11	5
-080	-	Y7069X	TARGET A SELECT			111	111	1	111	1	11	5
-085	-	Y7070X	TARGET B SELECT			111	111	1	111	1	11	5
-090	-	Y7071X	START COUNTDOWN SIGNAL			111	111	1	111	1	11	5
-095	-	Y7072X	28 VDC RECEIVER			111	111	1	111	1	11	5
000	007-01-	PNEUMATIC SYSTEM READINESS					111	1	111		2	
-015	-	F7001P	LOX TANK PRESSURE				111	1	111	1	11	5
-020	-	F7003P	FUEL TANK PRESSURE				111	1	111	1	11	5
-025	-	N7035P	DIFFERENTIAL PRESS/GAGE/				111	1	111		5	

26 SEPTEMBER 1962

OSTF-2 OBJ COMPOSITE 26 SEP 62		AE60-0653	123	123456	1234	123456	1	12345	020
-035	- F1145P	S CTL HE BTL DISCH PRESS		111	1	111			5
-040	- F1247T	B TK HE BTL TEMP		111					5
-045	- F1290T	S CTL HE BOTTLE TEMP		111	1	111			5
-055	- F 1P	LOX TANK HELIUM PRESS		111	1	111			5
-060	- F 3P	FUEL TANK HELIUM PRESS		111	1	111			5
-065	- F 145P	S CTL HE BTL DISCH PRESS		111	1	111			5
-070	- F 246P	B TANK HE BTL HI PRESS		111	1	111			5
-075	- F 247T	B TK HE BTL TEMP				1	111		5
000	007-02-	FLIGHT CONTROL READINESS	222	111	1	111			2
-015	- N7514X	AUTOPILOT ON AMBER		111	1	111	1	11	5
-020	- N7518X	AUTOPILOT FAIL MARGINAL		111	1	111	1	11	5
-025	- N7519X	FLT PROGRAMMER SAFE		111	1	111	1	11	5
-030	- N7521X	AUTOPILOT FAIL		111	1	111	1	11	5
-035	- N7532X	PROGRAMMER ARMED AMBER		111	1	111	1	11	5
-040	- N7536X	AUTOPILOT TEST AMBER		111	1	111	1	11	5
-050	- S 61D	ROLL DISP GYRO SIG		111	1	111			5
-055	- S 62D	PITCH DISP GYRO SIG		111	1	111			5
-060	- S 63D	YAW DISP GYRO SIG		111	1	111			5
-065	- S 203D	B1 PITCH/ROLL POS		111	1	111			5
-070	- S 204D	B2 PITCH/ROLL POS		111	1	111			5
-075	- S 205D	B1 YAW POS		111	1	111			5
-080	- S 206D	B2 YAW POS		111	1	111			5
-085	- S 222D	V1 PITCH POS		111	1	111			5
-090	- S 223D	V2 PITCH POS		111	1	111			5
-095	- S 233D	V1 YAW/ROLL POS		111	1	111			5
-100	- S 234D	V2 YAW/ROLL POS		111	1	111			5
-105	- S 256D	SUS YAW POS		111	1	111			5
-110	- S 257D	SUS PITCH POS		111	1	111			5
-115	- S 52R	ROLL RATE GYRO SIG		111	1	111			5
-120	- S 53R	PITCH RATE GYRO SIG		111	1	111			5
-125	- S 54R	YAW RATE GYRO SIG		111	1	111			5
000	007-03-	ELECTRICAL SYS FUNCT	222	111	1	111			2
-030	- E 50Q	400 CYC AC PWR SUP		111	111	1	111		5
-035	- E 28V	NBL SYS INPUT		111	111	1	111		5

GENERAL DYNAMICS | ASTRONAUTICS

26 SEPTEMBER 1962

OSTF-2 OBJ COMPOSITE 26 SEP 62		AE60-0653	123	123456	1234	123456	1	12345	021
-040	- E 51V	400 CYCLE AC PHASE A	111		111	1	111		5
-045	- N7510X	PWR TO INTERNAL			111	1	111	1	5
-050	- N7511X	PWR TO EXTERNAL			111	1	111	1	5
-055	- N7523X	DC AT MSL			111	1	111	1	5
000	007-04-	HYD SYS READINESS			111	1	111		2
-015	- H 33P	B1 HYD ACCUMULATOR PRESS			111	1	111		5
-020	- H 140P	VERM ENG HYD PRESS			111	1	111		5
-025	- H 185P	S HYD PUMP INLET PRESS			111	1	111		5
000	007-05-	PROPELLANT LOADING READINESS	222		111	1	111		2
-015	- F7J01P	LOX TANK PRESSURE	111		111	1	111	1	5
-020	- F7003P	FUEL TANK PRESSURE	111		111	1	111	1	5
-025	- P7549P	LOX STOR TK ULLAGE PRESS	111		111	1	111	1	5
-030	- P7564P	LOX STOR TK TO MSL DP	111		111	1	111	1	5
-035	- P7709P	LOX TOP TK ULLAGE PRESS	111		111	1	111	1	5
-040	- P7115X	RAPID TOP VLV OPEN	111		111	1	111	1	5
-045	- P7116X	RAPID TOP VLV CLSD	111		111	1	111	1	5
-050	- P7117X	TOPPING VLV OPEN	111		111	1	111	1	5
-055	- P7118X	TOPPING VLV CLSD	111		111	1	111	1	5
-060	- P7225X	LOX RAPID LD VLV OPEN	111		111	1	111	1	5
-065	- P7226X	LOX FINE LD VLV OPEN	111		111	1	111	1	5
-070	- P7227X	LOX RAPID LD VLV CLSD	111		111	1	111	1	5
-075	- P7228X	LOX FINE LD VLV CLSD	111		111	1	111	1	5
-080	- U7011X	RAPID FILL LOX CTL-1	111		111	1	111	1	5
-085	- U7012X	TOPPING LOW CTL-1	111		111	1	111	1	5
-090	- U7013X	TOPPING HIGH CTL-1	111		111	1	111	1	5
-095	- U7014X	100% LOX CTL-1	111		111	1	111	1	5
-100	- U7015X	RAPID FILL LOX CTL-2	111		111	1	111	1	5
-105	- U7016X	TOPPING LOW CTL-2	111		111	1	111	1	5
-110	- U7017X	TOPPING HIGH CTL-2	111		111	1	111	1	5
-115	- U7018X	100% LOX CTL-2	111		111	1	111	1	5
-125	- F 1P	LOX TANK HELIUM PRESS			111	1	111		5
-130	- F 3P	FUEL TANK HELIUM PRESS			111	1	111		5
000	007-06-	PROPULSION SYS READINESS	22		111	1	111		2



26 SEPTEMBER 1962

OSTF-2 ORJ COMPOSITE 26 SEP 62		AE60-0653	123	123456	1234	123456	1	12345	022
-015	-	F7001P LOX TANK PRESSURE	11	111	1	111	1	11	5
-020	-	F7003P FUEL TANK PRESSURE	11	111	1	111	1	11	5
-022	-	P7126V S IGN STAGE CTL VOLT		111					5
-025	-	P7935X FUEL A/B F&D VLV CLSD	11	111	1	111	1	11	5
-030	-	P7964X LOX A/B F&D VLV CLSD	11	111	1	111	1	11	5
-040	-	P1002P B1 FUEL PUMP INLET PRESS		111	1	111			5
-045	-	P1038P B2 FUEL PUMP DISCH PRESS		111	1	111			5
-047	-	P1039P B1 FUEL PUMP DISCH PRESS		111	1	111			5
-050	-	P1530T S LOX PUMP INLET TEMP		111	1	111			5
-060	-	F 1P LOX TANK HELIUM PRESS		111	1	111			5
-065	-	F 3P FUEL TANK HELIUM PRESS		111	1	111			5
-070	-	P 3P B2 LOX PUMP INLET PRESS		111	1	111			5
-075	-	P 38P B2 FUEL PUMP DISCH PRESS		111	1	111			5
-080	-	P 39P B1 FUEL PUMP DISCH PRESS		111	1	111			5
-085	-	P 330P S FUEL PUMP DISCH PRESS		111	1	111			5
000	007-07-	ENG IGNITION ELEC SIG	2212	111	1	111			2
000	007-08-	PU SYSTEM READINESS	2212	111	1	111	1	11	2
-015	-	M7028X COMMIT START BUTTON	2	222	111	1	111	1	5
-018	-	U7126V AA COMP 28 VDC INPUT						1	5
-019	-	U7132V AA TIME SHARED OSC OUTPUT						1	5
-020		U7125X AA COMPUTER RESET	1	111	111	1	111		5
-025	-	U7132X AA STA COUNTER OUTPUT	1	111	111	1	111		5
-035	-	U 113V AA VLV POS FEEDBACK			111	1	111		5
-040	-	U 135X AA SENSOR SIG			111	1	111		5
000	007-09-	TELEMETRY SYSTEM READINESS	22211	111	1	111			2
000	008-01-	PNEU SYSTEM READINESS							2
000	008-02-	FLIGHT CONTROL READINESS	2						2
000	008-03-	ELECTRICAL SYSTEM FUNCT	2						2

OSTF-2 OBJ COMPOSITE 26 SEP 62		AE60-0653	123	123456	1234	123456	1	12345	023
000	008-05-	PROPELLANT LOAD		2					2
000	008-06-	PROPULSION SYS READINESS							2
000	008-07-	PU SYSTEM READINESS		2					2
000	008-08-	ENG IGNITION ELEC SIG		2					2
000	009-01-	READINESS PRESENTATION	22222		1		1		2
-015	-	N7754M LAUNCH CONSOLE RH CAMERA	11111	111	11111		1111		5
-020	-	N7755M LAUNCH CONSOLE LH CAMERA	11111	111	11111		1111		5
000	009-02-	LCC DISCRETE OCCURRANCE	22222						2
-015	-	N7754N LAUNCH CONSOLE RH CAMERA	11111	111	1 111		1 11		5
-020	-	N7755N LAUNCH CONSOLE LH CAMERA	11111	111	1 111		1 11		5
-025	-	N7507X MSL LIFT COMMIT START		111	1 111		1 11		5
-030	-	N7508X AUTOMATIC PRESSN		111	1 111		1 11		5
-035	-	N7512X COMMIT LOCKUP		111	1 111		1 11		5
-040	-	N7528X MSL LIFT UP & LOCKED		111	1 111		1 11		5
000	009-03-	LCC CABINETS ENVIRONMENT							2
-025	-	N7801J L/C EQUIPMENT RH HUM							5
-030	-	N7802J SILO LOWER RH HUM							5
-035	-	N7807T L/C EQUIP AIR RETURN TEMP							5
-040	-	N7621I ELCT EQUIP AIR IN #1 TEMP							5
-045	-	N7622T ELCT EQUIP AIR IN #2 TEMP							5
-050	-	N7623T ELCT EQUIP AIR IN #3 TEMP							5
-055	-	N7624T ELCT EQUIP AIR IN #4 TEMP							5
-060	-	N7625T ELCT EQUIP AIR IN #5 TEMP							5
-065	-	N7626T ELCT EQUIP AIR OUT #1 TEMP							5
-070	-	N7627I ELCT EQUIP AIR OUT #2 TEMP							5
-075	-	N7628T ELCT EQUIP AIR OUT #3 TEMP							5
-080	-	N7629I ELCT EQUIP AIR OUT #4 TEMP							5
-085	-	N7630T ELCT EQUIP AIR OUT #5 TEMP							5

## SECTION 8

GENERAL DYNAMICS | AERONAUTICS

26 SEPTEMBER 1962

OSTF-2 OBJ COMPOSITE 26 SEP 62		AE60-0653	123	123456	1234	123456	1	12345	024
000	009-04-	LCC-R/V COMPATIBILITY	22222						2
-010	-	Y7056X 28 VOC VERIFICATION	11111	111	1	111	1	11	3
-015	-	Y7059X R/V CONTINUITY	11111	111	1	111	1	11	3
-020	-	Y7061X MARK 4 R/V	11111	111	1	111	1	11	3
-025	-	Y7062X R/V TACTICAL	11111	111	1	111	1	11	3
-030	-	Y7068X MARK 3 R/V	11111	111	1	111	1	11	3
-035	-	Y7069X TARGET A SELECT	11111	111	1	111	1	11	3
-040	-	Y7070X TARGET B SELECT	11111	111	1	111	1	11	3
-045	-	Y7071X START COUNTDOWN SIG	11111	111	1	111	1	11	3
000	010-01-	LO2 CHILDDOWN ADEQUACY	22212	211					2
-015	-	P7001P LOX TANK PRESSURE	11111	111	1	111	1	11	3
-020	-	P7549P LOX STOR TK ULLAGE PRESS	11111	111	1	111	1	11	3
-025	-	P7564P LOX STOR TK TO MSL DP	11111						3
-030	-	P7565P LOX XFER LINE TO MSL PRESS	11111						3
-035	-	P7578P LOX TO L/P DISCON IN PRESS	11111						3
-040	-	P7682P MSL LOX TANK DP	11111						3
-045	-	P7696P LOX TOP LINE PRESS @ R-O-D	11111						3
-050	-	P7697P MAIN LINE PRESS @ R-O-D	11111						3
-055	-	P7699P MAIN LOX FILTER DP	11111						3
-060	-	P7700P LOX RAPID LD VLV DP	11111						3
-065	-	P7701P LOX FINE LD VLV DP	11111						3
-068	-	P7913P LOX FINE LD IN PRESS		111					3
-069	-	P7916P LOX DRAIN VLV L-16 OUT PRES		1					3
-070	-	P7104R LOX TOP FL/RT VENTURI	11111						3
-075	-	P7109R LOX TOP BLEED FL/RT	11111						3
-080	-	P7114T LOX TOP L/P DISCON IN TEMP	11111						3
-085	-	P7134T B1 LOX PUMP IN TEMP	11111						3
-090	-	P7304T SUS LOX PUMP IN TEMP	11111						3
-095	-	P7305T B2 LOX PUMP IN TEMP	11111						3
-100	-	P7571T MAIN LINE TEMP-L/P DISCON	11111	111					3
-105	-	P7698T MAIN LOX LINE TEMP @ R-O-D	11111						3
-110	-	P7702T LOX TOP LINE TEMP @ R-O-D	11111						3
-115	-	P7115X RAPID TOP VLV OPEN	11111	111	1	111	1	11	3
-120	-	P7116X RAPID TOP VLV CLSD	11111	111	1	111	1	11	3

GENERAL DYNAMICS | ASTRONAUTICS

26 SEPTEMBER 1962

OSTF-2 OBJ	COMPOSITE	26 SEP 62	AE60-0653	123	123456	1234	123456	1	12345	025
-125	-	P7117X	TOPPING VLV OPEN	11111	111	1	111	1	11	5
-130	-	P7118X	TOPPING VLV CLSD	11111	111	1	111	1	11	5
-135	-	P7129X	VENT VLV N80 OPEN	11111	111	1	111	1	11	5
-140	-	P7130X	VENT VLV N80 CLSD	11111	111	1	111	1	11	5
-145	-	P7131X	LOX DRAIN VLV N60 OPEN	11111	111	1	111	1	11	5
-150	-	P7132X	LOX DRAIN VLV N60 CLSD	11111	111	1	111	1	11	5
-155	-	P7193X	LOX TOP TK VENT VLV OPEN	11111	111	1	111	1	11	5
-160	-	P7194X	LOX TOP TK VENT VLV CLSD	11111	111	1	111	1	11	5
-165	-	P7223X	LOX STOR TK VENT VLV CLSD	11111	111	1	111	1	11	5
-170	-	P7225X	LOX RAPID LD VLV OPEN	11111	111	1	111	1	11	5
-171	-	P7226X	LOX FINE LD VLV OPEN	11111	111	1	111	1	11	5
-172	-	P7227X	LOX RAPID LD VLV CLSD	11111	111	1	111	1	11	5
-173	-	P7228X	LOX FINE LD VLV CLSD	11111	111	1	111	1	11	5
-180	-	P7236X	LOX STOR TK VENT VLV OPEN	11111	111	1	111	1	11	5
-185	-	P7241X	LOX CHILDDWN VLV N-1 CLSD		111	1	111	1	11	5
-186	-	P7251X	LOX CHLDN VLV N2 CLSD		111					5
-187	-	P7252X	LOX CHLDN VLV N3 CLSD		111					5
-188	-	P7253X	LOX CHLDN VLV N50 CLSD		111					5
-192	-	F 1P	LOX TK HE PRESS		111	1	111	1	11	5
000	010-02-	LO2 TRANSFER SEQUENCES		22212	211					2
-015	-	P7549P	LOX STOR TK ULLAGE PRESS	11111	111	1	111	1	11	5
-020	-	P7709P	LOX TOP TK ULLAGE PRESS	11111	111	1	111	1	11	5
-025	-	P7115X	RAPID TOP VLV OPEN	11111	111	1	111	1	11	5
-030	-	P7116X	RAPID TOP VLV CLSD	11111	111	1	111	1	11	5
-035	-	P7117X	TOPPING VLV OPEN	11111	111	1	111	1	11	5
-040	-	P7118X	TOPPING VLV CLSD	11111	111	1	111	1	11	5
-045	-	P7129X	VENT VLV N80 OPEN	11111	111	1	111	1	11	5
-050	-	P7130X	VENT VLV N80 CLSD	11111	111	1	111	1	11	5
-055	-	P7131X	LOX DRAIN VLV N60 OPEN	11111	111	1	111	1	11	5
-060	-	P7132X	LOX DRAIN VLV N60 CLSD	11111	111	1	111	1	11	5
-065	-	P7193X	LOX TOP TK VENT VLV OPEN	11111	111	1	111	1	11	5
-070	-	P7194X	LOX TOP TK VENT VLV CLSD	11111	111	1	111	1	11	5
-075	-	P7223X	LOX STOR TK VENT VLV CLSD	11111	111	1	111	1	11	5
-080	-	P7225X	LOX RAPID LD VLV OPEN	11111	111	1	111	1	11	5
-085	-	P7226X	LOX FINE LD VLV OPEN	11111	111	1	111	1	11	5

SECTION 8

GENERAL DYNAMICS | ASTRONAUTICS

26 SEPTEMBER 1962

OSTF-2 OBJ COMPOSITE 26 SEP 62		AE60-0653	123	123456	1234	123456	1	12345	026
-090	- P7227X	LOX RAPID LD VLV CLSD	11111	111	1	111		1 11	5
-095	- P7228X	LOX FINE LD VLV CLSD	11111	111	1	111		1 11	5
-100	- P7236X	LOS STOR TK VENT VLV OPEN	11111	111	1	111		1 11	5
-105	- P7238X	LOX DRAIN VLV OPEN	11111	111	1	111		1 11	5
-110	- P7240X	LOX DRAIN VLV CLSD	11111	111	1	111		1 11	5
-111	- P7251X	LOX CHLDN VLV N2 CLSD		111					5
-112	- P7252X	LOX CHLDN VLV N3 CLSD		111					5
-113	- P7253X	LOX CHLDN VLV N50 CLSD		111					5
-115	- P7957X	LOX VLV L7 OPEN	11111						5
-120	- P7958X	LOX VLV L7 CLSD	11111						5
-125	- P7959X	LOX VLV L6 OPEN	11111						5
-130	- P7960X	LOX VLV L6 CLSD	11111						5
-135	- P7963X	LOX A/B F6D VLV OPEN	11111	111	1	111		1 11	5
-140	- P7964X	LOX A/B F6D VLV CLSD	11111	111	1	111		1 11	5
-145	- U7011X	RAPID FILL LOX CTL-1	11111	111	1	111		1 11	5
-150	- U7012X	TOPPING LOW CTL-1	11111	111	1	111		1 11	5
-155	- U7013X	TOPPING HIGH CTL-1	11111	111	1	111		1 11	5
-160	- U7014X	100% LOX CTL-1	11111	111	1	111		1 11	5
-165	- U7015X	RAPID FILL LOX CTL-2	11111	111	1	111		1 11	5
-170	- U7016X	TOPPING LOW CTL-2	11111	111	1	111		1 11	5
-175	- U7017X	TOPPING HIGH CTL-2	11111	111	1	111		1 11	5
-180	- U7018X	100% LOX CTL-2	11111	111	1	111		1 11	5
000	010-09-	LO2 TRANSFER PERFORMANCE	22212	211	2	211			2
-025	- P7001P	LOX TANK PRESSURE	11111	111	1	111		1 11	5
-030	- P7105P	TCU CTL MANIFOLD PRESS	11111						5
-035	- P7106P	TCU LOX IN PRESS	11111						5
-040	- P7107P	TCU LOX FILTER IN PRESS	11111						5
-045	- P7108P	LOX L/P DISCON IN PRESS	11111	111	1	111		1 11	5
-050	- P7135P	MAIN LOX LINE DRAIN PRESS	11111						5
-055	- P7546P	GN2 STOR TK DISCH PRESS	11111						5
-060	- P7549P	LOX STOR TK ULLAGE PRESS	11111	111	1	111		1 11	5
-065	- P7564P	LOX STOR TK TO MSL DP	11111	111	1	111		1 11	5
-070	- P7565P	LOX XFER LINE TO MSL PRESS	11111						5
-075	- P7578P	LOX TO L/P DISCON IN PRESS	11111	111					5
-080	- P7682P	MSL LOX TANK DP	11111						5

26 SEPTEMBER 1962

OSTF-2 OBJ	COMPOSITE	26 SEP 62	AE60-0653	123	123456	1234	123456	1	12345	027
-085	-	P7694P	LOX TOP LINE PRESS @ R-O-D	11111						5
-090	-	P7697P	MAIN LINE PRESS @ R-O-D	11111						5
-095	-	P7699P	MAIN LOX FILTER DP	11111	111	1	111			5
-100	-	P7700P	LOX RAPID LD VLV DP	11111						5
-105	-	P7701P	LOX FINE LD VLV DP	11111						5
-110	-	P7706P	LOX DRAIN VLV DP	11111						5
-115	-	P7707P	LOX FILL FILTER DP	11111						5
-120	-	P7709P	LOX TOP TK ULLAGE PRESS	11111	111	1	111	1	11	5
-125	-	P7710P	LOX STOR TK PRESN LINE	11111						5
-130	-	P7711P	LOX TOP TK PRESN LINE	11111						5
-135	-	P7907P	B1 LOX PUMP IN PRESS	11111						5
-140	-	P7913P	FINE LD VLV L1 IN PRESS	11111	111					5
-145	-	P7914P	RAPID LD VLV L2 IN PRESS	11111						5
-150	-	P7915P	LOX DRAIN VLV L16 IN PRESS	11111						5
-155	-	P7917P	LOX STOR TK FILL VLV L7 IN	11111						5
-160	-	P7922P	STOR TK PRESN VLV IN PRESS	11111						5
-165	-	P7104R	LOX TOP FL/RT VENTURE	11111	111					5
-170	-	P7104R	LOX TOP BLEED FL/RT	11111	111					5
-175	-	P7113I	TCU LOX INLET TEMP	11111						5
-180	-	P7114T	LOX TOP L/P DISCON IN TEMP	11111						5
-185	-	P7134T	B1 LOX PUMP IN TEMP	11111						5
-190	-	P7304T	SUS LOX PUMP IN TEMP	11111						5
-195	-	P7305T	B2 LOX PUMP IN TEMP	11111						5
-200	-	P7547T	GN2 STOR TK DISCH TEMP	11111						5
-205	-	P7571T	MAIN LINE TEMP-L/P DISCON	11111						5
-210	-	P7698P	MAIN LOX LINE TEMP @ R-O-D	11111						5
-215	-	P7702T	LOX TOP LINE TEMP @ R-O-D	11111						5
-220	-	P7193X	LOX TOP TK VENT VLV OPEN	11111	111	1	111	1	11	5
-225	-	P7194X	LOX TOP TK VENT VLV CLSD	11111	111	1	111	1	11	5
-230	-	P7223X	LOX STOR TK VENT VLV CLSD	11111	111	1	111	1	11	5
-235	-	P7236X	LOX STOR TK VENT VLV OPEN	11111	111	1	111	1	11	5
-240	-	P7847X	LOX STOR TK FULL	11111	111	1	111	1	11	5
-245	-	U7080P	LOX TANK HEAD PRESS	11111						5
-250	-	U7011X	RAPID FILL LOX CTL-1	11111	111	1	111	1	11	5
-255	-	U7012X	TOPPING LOW CTL-1	11111	111	1	111	1	11	5
-260	-	U7013X	TOPPING HIGH CTL-1	11111	111	1	111	1	11	5

SECTION 9

GENERAL DYNAMICS | ASTRONAUTICS

26 SEPTEMBER 1962

OSTF-2 OBJ COMPOSITE 26 SEP 62 AE60-0653

123 123456 1234 123456 1 12345

028

-265	-	U7014X	100% LOX CTL-1	11111	111	1 111	1 11	5
-270	-	U7015X	RAPID FILL LOX CTL-2	11111	111	1 111	1 11	5
-275	-	U7016X	TOPPING LOW CTL-2	11111	111	1 111	1 11	5
-280	-	U7017X	TOPPING HIGH CTL-2	11111	111	1 111	1 11	5
-285	-	U7018X	100% LOX CTL-2	11111	111	1 111	1 11	5
-288	-	F 1P	LOX TK HE PRESS		111	1 111	1 11	5
000	010-04-	LO2 LOADING SENSOR SYS		22212	211			2
-015	-	F7001P	LOX TANK PRESSURE	11111	111	1 111	1 11	5
-020	-	P7549P	LOX STOR TK ULLAGE PRESS	11111	111	1 111	1 11	5
-025	-	P7564P	LOX STOR TK TO MSL DP	11111	111	1 111	1 11	5
-030	-	P7682P	M/L LOX TANK DP	11111				5
-035	-	P7709P	LOX TOP TK ULLAGE PRESS	11111	111			5
-040	-	P7104R	LOX TOPPING FL/RT VENTURI	11111	111			5
-045	-	P7109R	LOX TOPPING BLEED FL/RT	11111	111			5
-050	-	P7115X	RAPID TOP VLV OPEN	11111	111	1 111	1 11	5
-055	-	P7116X	RAPID TOP VLV CLSD	11111	111	1 111	1 11	5
-060	-	P7117X	TOPPING VLV OPEN	11111	111	1 111	1 11	5
-065	-	P7118X	TOPPING VLV CLSD	11111	111	1 111	1 11	5
-070	-	P7225X	LOX RAPID LD VLV OPEN	11111	111	1 111	1 11	5
-075	-	P7226X	LOX FINE LD VLV OPEN	11111	111	1 111	1 11	5
-080	-	P7227X	LOX RAPID LD VLV CLSD	11111	111	1 111	1 11	5
-085	-	P7228X	LOX FINE LD VLV CLSD	11111	111	1 111	1 11	5
-090	-	U7080P	LOX TANK HEAD PRESS	11111				5
-095	-	U7011X	RAPID FILL LOX CTL-1	11111	111	1 111	1 11	5
-100	-	U7012X	TOPPING LOW CTL-1	11111	111	1 111	1 11	5
-105	-	U7013X	TOPPING HIGH CTL-1	11111	111	1 111	1 11	5
-110	-	U7014X	100% LOX CTL-1	11111	111	1 111	1 11	5
-115	-	U7015X	RAPID FILL LOX CTL-2	11111	111	1 111	1 11	5
-120	-	U7016X	TOPPING LOW CTL-2	11111	111	1 111	1 11	5
-125	-	U7017X	TOPPING HIGH CTL-2	11111	111	1 111	1 11	5
-130	-	U7018X	100% LOX CTL-2	11111	111	1 111	1 11	5
-140	-	F 1P	LOX TK HE PRESS		111	1 111	1 11	5
000	010-05-	LO2 XFER INTERFACE EFFECTS		22212	222			2

GENERAL DYNAMICS | ASTRONAUTICS

26 SEPTEMBER 1962

OSTF-2	OBJ	COMPOSITE	26	SEP	62	AE60-0653	123	123456	1234	123456	1	12345	029
000	010-06-	L02	LOADING	TIME			22212	211					2
-020	-	F7001P	LOX	TANK	PRESSURE		11111						5
-030	-	N7024X	START	C/D	BUTTON		11111	111	1	111	1	11	5
-035	-	N7028X	COMMIT	START	BUTTON		11111	111	1	111	1	11	5
-040	-	P7108P	LOX	L/P	DISCON IN PRESS		11111						5
-045	-	P7549P	LOX	STOR	TK ULLAGE PRESS		11111	111	1	111	1	11	5
-050	-	P7564P	LOX	STOR	TK TO MSL DP		11111						5
-055	-	P7565P	LOX	XFER	LINE TO MSL PRESS		11111						5
-060	-	P7578P	LOX	TO L/P	DISCON IN PRESS		11111						5
-065	-	P7682P	MSL	LOX	TK DP		11111						5
-070	-	P7696P	LOX	TOP	LINE PRESS @ R-O-D		11111						5
-075	-	P7697P	MAIN	LINE	PRESS @ R-O-D		11111						5
-078	-	P7699P	MAIN	LOX	FILTER DP		11111						5
-080	-	P7700P	LOX	RAPID	LOAD VLV DP		11111						5
-085	-	P7701P	LOX	FINE	LOAD VLV DP		11111						5
-090	-	P7709P	LOX	TOP	TK ULLAGE PRESS		11111						5
-095	-	P7907P	B1	LOX	PUMP IN PRESS		11111						5
-100	-	P7913P	LOX	FINE	LD VLV L-1 IN		11111						5
-105	-	P7914P	LOX	RAPID	LD VLV L-2 IN		11111						5
-110	-	P7104R	LOX	TOPPING	FL/RT VENTURI		11111						5
-115	-	P7109R	LOX	TOPPING	BLEED FL/RT		11111						5
-120	-	P7113T	TCU	LOX	IN TEMP		11111						5
-125	-	P7114T	LOX	TOP	TEMP @ L/P DISCON		11111						5
-130	-	P7134T	B1	LOX	PUMP IN TEMP		11111						5
-135	-	P7304T	SUS	LOX	PUMP IN TEMP		11111						5
-140	-	P7305T	J2	LOX	PUMP IN TEMP		11111						5
-145	-	P7698T	MAIN	LOX	LINE TEMP @ R-O-D		11111						5
-150	-	P7702T	LOX	TOP	LINE TEMP @ R-O-D		11111						5
-151	-	P7225X	LOX	RAPID	LD VLV OPEN			111	1	111	1	11	5
-152	-	P7226X	LOX	FINE	LD VLV OPEN			111	1	111	1	11	5
-153	-	P7227X	LOX	RAPID	LD VLV CLSD			111	1	111	1	11	5
-155	-	U7080P	LOX	TANK	HEAD PRESS		11111						5
-160	-	U7011X	RAPID	FILL	LOX CTL-1		11111	111	1	111	1	11	5
-165	-	U7012X	TOPPING	LOW	CTL-1		11111	111	1	111	1	11	5
-170	-	U7013X	TOPPING	HIGH	CTL-1		11111	111	1	111	1	11	5
-175	-	U7014X	100%	LOX	CTL-1		11111	111	1	111	1	11	5



REPORT NO. AE60-0653

SECTION 8

GENERAL DYNAMICS | ASTRONAUTICS

26 SEPTEMBER 1962

OSTF-2 OBJ COMPOSITE 26 SEP 62		AE60-0653	123	123456	1234	123456	1	12345	030	
-180	-	U7015X	RAPID FILL LOX CTL-2	11111	111	1	111	1	11	5
-185	-	U7016X	TOPPING LOW CTL-2	11111	111	1	111	1	11	5
-190	-	U7017X	TOPPING HIGH CTL-2	11111	111	1	111	1	11	5
-195	-	U7018X	100% LOX CTL-2	11111	111	1	111	1	11	5
000	010-07-	L02	STORAGE TK BACK PRESS	22212						2
-015	-	P7001P	LOX TANK PRESS	11111						5
-020	-	P7105P	TCU CTL MANIFOLD PRESS	11111						5
-025	-	P7106P	TCU LOX IN PRESS	11111						5
-030	-	P7107P	TCU LOX FILTER IN PRESS	11111						5
-035	-	P7108P	LOX L/P DISCON IN PRESS	11111						5
-040	-	P7549P	LOX STOR TK ULLAGE PRESS	11111						5
-045	-	P7564P	LOX STOR TK TO MSL DP	11111						5
-050	-	P7565P	LOX XFER LINE TO MSL PRESS	11111						5
-055	-	P7578P	LOX TO L/P DISCON IN PRESS	11111						5
-060	-	P7682P	MSL LOX TANK DP	11111						5
-065		P7696P	LOX TOP LINE PRESS @ R-O-D	11111						5
-070	-	P7709P	LOX TOP TK ULLAGE PRESS	11111						5
-075	-	P7914P	RAPID LD VLV L-2 IN PRESS	11111						5
-080	-	P7104R	LOX TOPPING FL/RT VENTURI	11111						5
-085	-	P7109R	LOX TOPPING BLEED FL/RT	11111						5
-090	-	P7113T	TCU LOX INLET TEMP	11111						5
-095	-	P7114T	LOX TOP L/P DISCON IN TEMP	11111						5
-100	-	P7134T	B1 LOX PUMP IN TEMP	11111						5
-105	-	P7304T	SUS LOX PUMP IN PRESS	11111						5
-110	-	P7305T	B2 LOX PUMP IN PRESS	11111						5
-115	-	P7571T	MAIN LINE TEMP-L/P DISCON	11111						5
-120	-	P7698T	MAIN LOX LINE TEMP @ R-O-D	11111						5
-125	-	P7702T	LOX TOP LINE TEMP @ R-O-D	11111						5
-145	-	P7115X	RAPID TOP VLV OPEN	11111						5
-150	-	P7116X	RAPID TOP VLV CLSD	11111						5
-155	-	P7117X	TOPPING VLV OPEN	11111						5
-160	-	P7118X	TOPPING VLV CLSD	11111						5
-165	-	P7193X	LOX TOP TK VENT VLV OPEN	11111						5
-170	-	P7194X	LOX TOP TK VENT VLV CLSD	11111						5
-175	-	P7223X	LOX STOR TK VENT VLV CLSD	11111						5

26 SEPTEMBER 1962

OSTF-2 OBJ	COMPOSITE	26 SEP 62	AE60-0653	123	123456	1234	123456	1	12345	031
-180	-	P7225X	LOX RAPID LD VLV OPEN		11111					5
-185	-	P7226X	LOX FINE LD VLV OPEN		11111					5
-190	-	P7227X	LOX RAPID LD VLV CLSD		11111					5
-195	-	P7228X	LOX FINE LD VLV CLSD		11111					5
-200	-	P7236X	LOX STOR TK VENT VLV OPEN		11111					5
-202	-	U7011X	RAPID FILL LOX CTL-1		11111					5
-203	-	U7012X	TOPPING LOW CTL-1		11111					5
-204	-	U7013X	TOPPING HIGH CTL-1		11111					5
-205	-	U7014X	100% LOX CTL-1		11111					5
-210	-	U7015X	RAPID FILL LOX CTL-2		11111					5
-215	-	U7016X	TOPPING LOW CTL-2		11111					5
-220	-	U7017X	TOPPING HIGH CTL-2		11111					5
-225	-	U7018X	100% LOX CTL-2		11111					5
000	010-08-		LO2 SPRAY & FREEZING			212	211			2
-020	-	P7108P	LOX L/P DISCON IN PRESS		11111	111				5
-025	-	P7578P	LOX TO L/P DISCON IN PRESS		11111					5
-030	-	P7114T	LOX TOP L/P DISCON IN TEMP		11111					5
-035	-	P7571T	MAIN LINE TEMP-L/P DISCON		11111					5
-040	-	U7019N	L/P LOX DISCON CAMERA		11111	111				5
-045	-	U7020N	HOT-COLD DISCON CAMERA		11111					5
000	010-10-		BOOSTER TURBOPUMP OPERATION							2
-015	-	P7137B	B1 PUMP SPEED LO							5
-020	-	P7138B	B2 PUMP SPEED LO							5
000	011-01-		FUEL TRANSFER PERFORMANCE							2
-010	-	F7003P	FUEL TANK PRESSURE							5
-015	-	P7567P	FUEL LVL TANK ULLAGE PRESS							5
-020	-	P7690P	GND FUEL FILTER DP							5
-025	-	P7691P	FUEL FILL LINE IN PRESS							5
-030	-	P7692P	FILL LINE PRESS-L/P DISCON							5
-035	-	P7693P	FILL LINE PRESS @ R-O-D							5
-040	-	P7909P	FUEL VLV F1 IN PRESS							5
-045	-	P7569R	GND FUEL SUPPLY FL/RT							5

SECTION 8

GENERAL DYNAMICS | ASTRONAUTICS

26 SEPTEMBER 1962

OSF-2 OBJ	COMPOSITE	26 SEP 62	AE60-0653	123	123456	1234	123456	1	12345	032
-050	-	P7566T	FUEL LINE TO MSL TEMP							5
-055	-	P7572T	MSL TANK FUEL TEMP							5
-060	-	P7922X	FUEL VLV F1 OPEN							5
-065	-	P7923X	FUEL VLV F1 CLSD							5
-066	-	P7924X	FUEL VLV F2 OPEN							5
-070	-	P7925X	FUEL VLV F2 CLSD							5
-075	-	P7926X	FUEL VLV F3 OPEN							5
-080	-	P7927X	FUEL VLV F3 CLSD							5
-085	-	P7928X	FUEL VLV NF4 OPEN							5
-100	-	P7929X	FUEL VLV NF4 CLSD							5
-105	-	P7930X	FUEL VLV NF1 OPEN							5
-110	-	P7931X	FUEL VLV NF1 CLSD							5
-115	-	P7932X	FUEL VLV NF2 OPEN							5
-120	-	P7933X	FUEL VLV NF2 CLSD							5
-125	-	P7934X	FUEL A/B F6D VLV OPEN							5
-130	-	P7935X	FUEL A/B F6D VLV CLSD							5
-135	-	P7936X	FUEL LVL TK F11 PUMP OPEN							5
-140	-	P7937X	FUEL SENSOR LS-10							5
-145	-	P7938A	FUEL LVL TK FULL							5
-150	-	P7939X	FUEL LVL TK HALF FULL							5
-155	-	U70R1P	FUEL TANK HEAD PRESS							5
-160	-	U7021X	FUEL LVL NOT LOW-1							5
-165	-	U7022X	FUEL LVL NOT LOW-2							5
-170	-	U7023X	FUEL LVL TOO HIGH-1							5
-175	-	U7024X	FUEL LVL TOO HIGH-2							5
000	011-02-		FUEL THERMAL COMPENSATION							2
-010	-	F7003P	FUEL TANK PRESS							5
-015	-	F7567P	FUEL LVL TK ULLAGE PRESS							5
-020	-	F7911P	FUEL PRESN TK DISCH PRESS							5
-025	-	P7566T	FUEL LINE TO MSL TEMP							5
-030	-	P7572T	MSL TANK FUEL TEMP							5
-035	-	P7908T	FUEL PRESN TK DISCH TEMP							5
-040	-	P7922X	FUEL VLV F1 OPEN							5
-045	-	P7923X	FUEL VLV F1 CLSD							5
-050	-	P7924X	FUEL VLV F2 OPEN							5

OSTF-2 OBJ COMPOSITE 26 SEP 62		AE60-0653	123 123456 1234 123456 1 12345	073
-055	-	P7925X	FUEL VLV F2 CLSD	5
-060	-	P7926X	FUEL VLV F3 OPEN	5
-065	-	P7927X	FUEL VLV F3 CLSD	5
-070	-	P7928X	FUEL VLV NF4 OPEN	5
-075	-	P7929X	FUEL VLV NF4 CLSD	5
-080	-	P7930X	FUEL VLV NF1 OPEN	5
-085	-	P7931X	FUEL VLV NF1 CLSD	5
-090	-	P7932X	FUEL VLV NF2 OPEN	5
-095	-	P7933X	FUEL VLV NF2 CLSD	5
-100	-	P7934X	FUEL A/B FGD VLV OPEN	5
-105	-	P7935X	FUEL A/B FGD VLV CLSD	5
-110	-	P7938X	FUEL LVL TK FULL	5
000	011-03-	FUEL CONTAMINATION		2
000	011-04-	FUEL PUMPING SYSTEM		2
-005	-	F7003P	FUEL TANK PRESSURE	5
-010	-	P7688P	GND FUEL PUMP OUT PRESS	5
-015	-	P7689P	GND FUEL PUMP IN PRESS	5
-020	-	P7691P	FUEL FILL LINE IN PRESS	5
-025	-	P7692P	FILL LINE PRESS-L/P DISCON	5
-030	-	P7693P	FILL LINE PRESS @ R-O-D	5
-035	-	P7909P	FUEL VLV F1 INLET PRESS	5
-040	-	P7569R	GND FUEL SUPPLY FL/RT	5
-045	-	P7195X	FUEL VLV F4 OPEN	5
-050	-	P7196X	FUEL VLV F4 CLSD	5
-055	-	P7922X	FUEL VLV F1 OPEN	5
-060	-	P7923X	FUEL VLV F1 CLSD	5
-065	-	P7924X	FUEL VLV F2 OPEN	5
-070	-	P7925X	FUEL VLV F2 CLSD	5
-075	-	P7926X	FUEL VLV F3 OPEN	5
-080	-	P7927X	FUEL VLV F3 CLSD	5
-085	-	P7928X	FUEL VLV NF4 OPEN	5
-090	-	P7929X	FUEL VLV . . CLSD	5
-100	-	P7930X	FUEL VLV NF1 OPEN	5
-105	-	P7931X	FUEL VLV NF1 CLSD	5

26 SEPTEMBER 1962

OSTF-2 OBJ COMPOSITE 26 SEP 62	AE60-0653	123 123456 1234 123456 1 12345	036
-110	- P7932X FUEL VLV NF2 OPEN		5
-115	- P7933X FUEL VLV NF2 CLSD		5
-120	- P7934X FUEL A/B F&D VLV OPEN		5
-125	- P7935X FUEL A/B F&L VLV CLSD		5
000	011-05- DISCRETE/SEQUENCE OPRN		2
-010	- P7967P FUEL LVL TANK ULLAGE PRESS		5
-015	- P7691P FUEL FILL LINE IN PRESS		5
-020	- P7692P FILL LINE PRESS-L/P DISCON		5
-025	- P7693P FILL LINE PRESS @ R-O-D		5
-030	- P7909P FUEL VLV F1 INLET PRESS		5
-035	- P7911P FUEL PRESN TK DISCH PRESS		5
-040	- P7572T HSL TANK FUEL PRESS		5
-045	- P7195X FUEL VLV FA OPEN		5
-050	- P7196X FUEL VLV FA CLSD		5
-055	- P7922X FUEL VLV F1 OPEN		5
-060	- P7923X FUEL VLV F1 CLSD		5
-065	- P7924X FUEL VLV F2 OPEN		5
-070	- P7925X FUEL VLV F2 CLSD		5
-075	- P7926X FUEL VLV F3 OPEN		5
-080	- P7927X FUEL VLV F3 CLSD		5
-085	- P7928X FUEL VLV NF4 OPEN		5
-090	- P7929X FUEL VLV NF4 CLSD		5
-095	- P7930X FUEL VLV NF1 OPEN		5
-100	- P7931X FUEL VLV NF1 CLSD		5
-105	- P7932X FUEL VLV NF2 OPEN		5
-110	- P7933X FUEL VLV NF2 CLSD		5
-115	- P7934X FUEL A/B F&D VLV OPEN		5
-120	- P7935X FUEL A/B F&D VLV CLSD		5
-125	- P7937X FUEL SENSOR LS-10		5
-130	- P7938X FUEL LVL TK FULL		5
-135	- P7939X FUEL LVL TK HALF FULL		5
-140	- U7081P FUEL TANK HEAD PRESS		5
-145	- U7021X FUEL LVL NOT LOW-1		5
-150	- U7022X FUEL LVL NOT LOW-2		5
-155	- U7023X FUEL LVL TOO HIGH-1		5

GENERAL DYNAMICS | ASTRONAUTICS

26 SEPTEMBER 1962

OSTF-2 OBJ COMPOSITE 26 SEP 62		AE60-0653	123	123456	1234	123456	1	1:345	035
-160	-	U7024X FUEL LVL TOO HIGH-2							5
000	011-06-	FUEL TRANSFER INTERFACE							2
-015	-	F7003P FUEL TANK PRESSURE							5
-020	-	U7021X FUEL LVL NOT LOW-1							5
-025	-	U7022X FUEL LVL NOT LOW-2							5
-030	-	U7023X FUEL LVL TOO HIGH-1							5
-035	-	U7024X FUEL LVL TOO HIGH-2							5
000	011-08-	FUEL LEVEL							2
-010	-	P7566T FUEL LINE TO MSL TEMP							5
-015	-	P7572T MISSILE TANK FUEL TEMP							5
000	011-09-	FUEL PREVALVE LEAKAGE		22222	2				2
000	012-01-	MAINTENANCE CONFERENCE NETWORK		22	22222	2	22222		2
000	012-02-	LCO SIGNALING SYSTEM		22	22222		22222		2
000	012-03-	DIRECT LINE SYSTEM		22	22222	2	22222		2
000	012-04-	DIAL LINE SYSTEM		22	22222	2	22222		2
000	012-05-	LAUNCH ENABLE SYSTEM		2	2	22	2	2	22
000	012-06-	BACKGROUND NOISE		22	2	22	2	2	22
000	012-07-	RADIO AND AUDIO INTERFERENCE							2
000	012-08-	COMMUNICATIONS EQUIP MAINTENANCE		22	22222	2	22222		2
000	012-09-	MAINTENANCE DATA AND PROCEDURES		22	22222	2	22222		2
000	013-01-	CONTAMINATION BUILD-UP							2

REPORT NO. AE60-0653

SECTION 8

GENERAL DYNAMICS | ASTRONAUTICS

26 SEPTEMBER 1962

OSTF-2 OBJ COMPOSITE 26 SEP 62	AE60-0653	123	123456	1234	123456	1	12345	036
000 014-01- T.O. DATA ADEQUACY		333	222222	222	2222222	2	22222	2
000 014-02- FUNCTIONAL ANALYSIS ADEQUACY		333	222222	222	2222222	2	22222	2
000 014-03- TECH ORDER WEAPON SYSTEM SUPPORT			2222	22222	2	22222		2
000 014-04- PERSONNEL REQUIREMENTS			222222		22222	2	22222	2
000 015- - WEAPONS SYSTEM INSPECTIONS		2	3	3	3	2		2
000 016- - UNSCHEDULED MAINT EFFECTS			222222	3333	222222	3	22222	2
000 017- - QUALITY CONTROL ADEQUACY			222222		22222	3	22222	2
000 018- - MAINT RECORDS ADEQUACY			222222		22222	2	22222	2
000 019- - MAINT PROCEDURES ADEQUACY			222222		22222	2	23333	2
000 020- - SQUADRON MAINT EFFECTIVENESS			222222		22222		22222	2
000 021- - 24 HR SELF SUFFICIENCY FIRST READ							2	2
000 022- - OPERATIONAL CONTROL BY PERSONNEL			222222		22222	2	22222	2
000 023- - RELATIONSHIP MAINT CONCEPT			222222		22222	3	22222	2

## GENERAL DYNAMICS | ASTRONAUTICS

26 SEPTEMBER 1962

OSTF-2 OBJ	COMPOSITE	26 SEP 62	AE60-0653	123	123456	1234	123456	1	12345	037
000	024-	-	WEAPON SYSTEM FIRST READINESS			111		111		2
-075		-	F7001P LOX TANK PRESSURE			1 1		1 1		5
-080		-	F7003P FUEL TANK PRESSURE			1 1		1 1		5
-085		-	F7005P FUEL TK PRESS DUCT @ PCU			1 1		1 1		5
-090		-	F7012P LOX TK PRESS DUCT @ PCU			1 1		1 1		5
-095		-	F1145P S CTL HE BTL DISCH PRESS			1 1		1 1		5
-100		-	F 247T B TK HE BTL TEMP			1 1		1 1		5
-110		-	F 1P LOX TK HELIUM PRESS			1 1		1 1		5
-115		-	F 3P FUEL TK HELIUM PRESS			1 1		1 1		5
-120		-	H 33P B1 HYD ACUM PRESS			1 1		1 1		5
-125		-	H 140P JERN HYD PRESS			1 1		1 1		5
-130		-	I 185P S HYD PUMP INLET PRESS			1 1		1 1		5
-140		-	N7050R B2 POD AIR FLOW QUAD 2					111		5
-145		-	N7155R B2 POD AIR FLOW QUAD 3					111		5
-150		-	N7048T B2 AIR INLET TEMP QUAD 2					111		5
-155		-	N7156T B2 AIR INLET TEMP QUAD 3					111		5
-165		-	N7028X COMMIT START BUTTON			1 1		1 1		5
-170		-	N7535X PWR INTERNAL GREEN			1 1		1 1		5
-175		-	N7984X MISSILE AWAY			1 1		1 1		5
-180		-	P7108P LOX L/P DISC IN PRESS			1 1		1 1		5
-185		-	P7549P LOX STOR TK ULLAGE PRESS			1 1		1 1		5
-190		-	P7709P LOX TOP TK ULLAGE PRESS			1 1		1 1		5
-195		-	P7115X RAPID TOP VLV OPEN			1 1		1 1		5
-200		-	P7116X RAPID TOP VLV CLSD			1 1		1 1		5
-205		-	P7117X TOPPING VLV OPEN			1 1		1 1		5
-210		-	P7118X TOPPING VLV CLSD			1 1		1 1		5
-215		-	P7193X LOX TOP TK VENT VLV OPEN			1 1		1 1		5
-220		-	P7194X LOX TOP TK VENT VLV CLSD			1 1		1 1		5
-225		-	P7225X LOX RAPID LD VLV OPEN			1 1		1 1		5
-230		-	P7226X LOX FINE LD VLV OPEN			1 1		1 1		5
-235		-	P7227X LOX RAPID LD VLV CLSD			1 1		1 1		5
-240		-	P7228X LOX FINE LD VLV CLSD			1 1		1 1		5
-245		-	P7238X LOX DRAIN VLV OPEN			1 1		1 1		5
-250		-	P7240X LOX DRAIN VLV CLSD			1 1		1 1		5
-255		-	U7011X RAPID FILL LOX CTL-1			1 1		1 1		5
-260		-	U7012X TOPPING LOW CTL-1			1 1		1 1		5



REPORT NO. AE60-0653

SECTION 8

GENERAL DYNAMICS | ASTRONAUTICS

26 SEPTEMBER 1962

OSTF-2 OBJ	COMPOSITE	26 SEP 62	AE60-0653	123	123456	1234	123456	1	12345	038
-265	-	U7013X	TOPPING HIGH CTL-1			1	1	1	1	5
-270	-	U7014X	100% LOX CTL-1			1	1	1	1	5
-275	-	U7015X	RAPID FILL LOX CTL-2			1	1	1	1	5
-280	-	U7016X	TOPPING LOW CTL-2			1	1	1	1	5
-285	-	U7017X	TOPPING HIGH CTL-2			1	1	1	1	5
-290	-	U7018X	100% LOX CTL-2			1	1	1	1	5
-295	-	U7021X	FUEL LVL NOT LOW-1			1	1	1	1	5
-300	-	U7022X	FUEL LVL NOT LOW-2			1	1	1	1	5
-305	-	U7023X	FUEL LVL TOO HIGH-1			1	1	1	1	5
-310	-	U7024X	FUEL LVL TOO HIGH-2			1	1	1	1	5
-320	-	S 61D	ROLL DISPL GYRO SIG			1	1	1	1	5
-325	-	S 62D	PITCH DISPL GYRO SIG			1	1	1	1	5
-330	-	S 63D	YAW DISPL GYRO SIG			1	1	1	1	5
-335	-	S 203D	B1 PITCH/ROLL POS			1	1	1	1	5
-340	-	S 204D	B2 PITCH/ROLL POS			1	1	1	1	5
-345	-	S 205D	B1 YAW POS			1	1	1	1	5
-350	-	S 206D	B2 YAW POS			1	1	1	1	5
-355	-	S 222D	V1 PITCH POS			1	1	1	1	5
-360	-	S 223D	V2 PITCH POS			1	1	1	1	5
-365	-	S 233D	V1 YAW/ROLL POS			1	1	1	1	5
-370	-	S 234D	V2 YAW/ROLL POS			1	1	1	1	5
-375	-	S 256D	SUS YAW POS			1	1	1	1	5
-380	-	S 257D	SUS PITCH POS			1	1	1	1	5
-385	-	S 52R	ROLL RATE GYRO SIG			1	1	1	1	5
-390	-	S 53R	PITCH RATE GYRO SIG			1	1	1	1	5
-395	-	S 54R	YAW RATE GYRO SIG			1	1	1	1	5
-405	-	E 50Q	400 CPS AC PWR SUPPLY			1	1	1	1	5
-410	-	E 28V	MSL SYS INPUT VOLT			1	1	1	1	5
-415	-	E 51V	400 CPS AC PHASE A VOLT			1	1	1	1	5
-420	-	U7126V	AA COMP 28 VDC INPUT					1	1	5
-425	-	U7134V	AA TIME SHARED OSC OUTPUT					1	1	5
-435	-	H7507P	SYS HYD ACUM PRESS			1	1	1	1	5
-440	-	H7508P	UPR DR HYD ACUM PRESS			1	1	1	1	5
-445	-	H7509P	LWR DR HYD ACUM PRESS			1	1	1	1	5
-450	-	H7529P	L/P BRAKE PRESS			1	1	1	1	5
-455	-	N7803B	L/P DRIVE MOTOR SPEED			1	1	1	1	5

GENERAL DYNAMICS | ASTRONAUTICS

26 SEPTEMBER 1962

OSTF-2 OBJ COMPOSITE 26 SEP 62		AE60-0653	123	123456	1234	123456	1	12345	039
-460	-	N7908D L/P DISPLACEMENT				1	1	1	5
-465	-	N7804F DRIVE MOTOR TORQUE				1	1	1	5
-475	-	P1002P B1 FUEL PUMP INLET PRESS				1	1	1	5
-480	-	P1038P B2 FUEL PUMP DISCH PRESS				1	1	1	5
-485	-	P1039P B1 FUEL PUMP DISCH PRESS				1	1	1	5
-490	-	P1043P SUS LOX PUMP INLET PRESS				1	1	1	5
-495	-	P1323T ENG COMPT AMP TEMP				1	1	1	5
-500	-	P1530T SUS LOX PUMP INLET TEMP				1	1	1	5
-505	-	P1711T B1 NACELLE AMB TEMP				1	1	1	5
-510	-	P1712T B2 NACELLE AMB TEMP				1	1	1	5
-525	-	U7125X AA COMPUTER RESET				1	1	1	5
-530	-	U7132X AA STA COUNTER OUTPUT				1	1	1	5
-535	-	U 113V AA VLV POS FEEDBACK				1	1	1	5
-540	-	U 135V AA SENSOR SIG				1	1	1	5
000	025-	- CONTAMINATION BUILD-UP							2
000	026-	- MATHEMATICAL MODEL	111	111111	1111	111111	1	11111	2
000	028-	- CRIB AND LCC DROP TESTS							2
000	029-	- VENT VALVE OPERATION					2		2
000	031-	- 24 HOUR HOLD LIMITATIONS					1		2
000	032-	- COMPLEX SOFT TIME				222222	2222	222222	2
000	033-	- WEAPON SYSTEM SAFETY	111	111111	1111	111111	1	11111	2

REPORT NO. AE60-0653

SECTION 8

GENERAL DYNAMICS | ASTRONAUTICS

26 SEPTEMBER 1962

OSTF-2 OBJ COMPOSITE 26 SEP 62

AE60-0653

123 123456 1234 123456 1 12345

040

000	034-	-	FLIGHT PERFORMANCE	1	1	2
-036		-	A1217P HT SHIELD DP QUAD 2	1		5
-037		-	A1218P HT SHIELD DP Y-Y AXIS	1		5
-038		-	A1219P HT SHIELD DP QUAD 1	1	1	5
-039		-	A1220P HT SHIELD DP QUAD 3	1	1	5
-040		-	A1585P HT SHIELD INSIDE PRESS 1		1	5
-042		-	A1586P HT SHIELD INSIDE PRESS 2		1	5
-043		-	A1194T HT SHIELD TEMP FWD Q4	1	1	5
-044		-	A1195T HT SHIELD TEMP FWD Q2	1	1	5
-045		-	A1780Y ARMA POD ACOUSTIC	1	1	5
-046		-	F1145P SUS CTL HE BTL OUT PRESS	1	1	5
-047		-	F1247T B TK HE BTL TEMP	1		5
-050		-	F1290T SUS CTL HE BTL TEMP	1	1	5
-052		-	M1870" TWU NOISE 1	1	1	5
-055		-	P1529D SUS MAIN LOX VLV POS	1		5
-060		-	P1830D SUS FUEL VLV POS	1		5
-065		-	P1206D SUS ENG LOX DOME	1	1	5
-070		-	P1208D B1 ENG LOX DOME	1	1	5
-075		-	P1209D B2 ENG LOX DOME	1		5
-080		-	P1002P B1 FUEL PUMP INLET PRESS	1	1	5
-085		-	P1006P SUS THR CHAMBER PRESS	1	1	5
-090		-	P1038P B2 FUEL PUMP DISCH PRESS	1	1	5
-095		-	P1039P B1 FUEL PUMP DISCH PRESS	1	1	5
-100		-	P1046P SUS LOX PUMP INLET PRESS	1	1	5
-105		-	P1059P B2 THR CHAMBER PRESS	1	1	5
-110		-	P1060P B1 THR CHAMBER PRESS	1	1	5
-115		-	P1091P B1 LOX INJ MANIFOLD PRESS	1	1	5
-120		-	P1092P B2 LOX INJ MANIFOLD PRESS	1	1	5
-125		-	P1155P B1 GAS GEN COMBUSTOR PRESS	1	1	5
-130		-	P1184P B2 GAS GEN COMBUSTOR PRESS	1	1	5
-131		-	P1200P ENG COMPT AMR PRESS	1		5
-132		-	P1337P SGG LOX INJ MANIFOLD PRESS	1	1	5
-133		-	P1331P S LOX INJ MANIFOLD PRESS	1	1	5
-134		-	P1463P S GG FUEL INJ MAN PRESS	1		5
-145		-	P1325T ENG COMPT AMB TEMP	1	1	5
-150		-	P1590T SUS LOX PUMP INLET TEMP	1	1	5

GENERAL DYNAMICS | ASTRONAUTICS

26 SEPTEMBER 1962

OSTF-2 OBJ COMPOSITE 26 SEP 62		AE60-0653	123	123456	1234	123456	1	12345	041
-155	- P17117	B1 NACELLE AMB TEMP			1	1			5
-160	- P17127	B2 NACELLE AMB TEMP			1	1			5
-165	- P1051Y	ENG COMPT ACOUSTIC			1	1			5
-215	- M7604H	FWD LIFT-OFF CAMERA			1	1			5
-216	- M7605N	AFT LIFT-OFF CAMERA				1			5
-225	- N7984X	MISSILE AWAY			1	1			5
-230	- N7985X	MISSILE ON STAND			1	1			5
-235	- L7601P	HT SHIELD OUTSIDE PRESS 1				1			5
-240	- L7602P	HT SHIELD OUTSIDE PRESS 2				1			5
-245	- L7013P	FLAME DEFLECT AMB PRESS 1				1			5
-250	- L7014P	FLAME DEFLECT AMB PRESS 2				1			5
-255	- L7015P	FLAME DEFLECT AMB PRESS 3				1			5
-260	- L7016P	FLAME DEFLECT AMB PRESS 4				1			5
000	035-01-	EQUIPMENT USABILITY		222222		22222	2	2222	2
000	035-02-	TECH DATA USABILITY & SUITABILITY				22222	2	22222	2
000	035-03-	JOB ENVIRONMENT		222222		22222	2	22227	2
000	035-04-	CUSTOMER PERSONNEL REQUIREMENTS				22222	2	22222	2
000	035-05-	TRAINING		222222		22222	2	22222	2
000	035-06-	OPRNAL CTL BY CUSTOMER PERSONNEL				22222	2	22222	2
000	036-	SAC INTEGRATION		222222		2	222227	2	22222
000	037-01-	THRUST SECT ENVIRONMENT			1	1			2
-015	- A1217P	HT SHIELD OP QUAD 2			1				5
-020	- A1218P	HT SHIELD OP Y-Y AXIS			1				5
-025	- A1219P	HT SHIELD OP QUAD 1			1	1			5
-030	- A1220P	HT SHIELD OP QUAD 3			1	1			5
-031	- A1589P	HT SHIELD INSIDE PRESS 1			1	1			5

26 SEPTEMBER 1962

OSTF-2 OBJ COMPOSITE 26 SEP 62		AE60-0653	123	123456	1234	123456	1	12345	042
-032	-	A1586P	MT SHIELD INSIDE PRESS 2		1	1			5
-035	-	A1194T	MT SHIELD TEMP FWD Q4		1	1			5
-040	-	A1195T	MT SHIELD TEMP FWD Q2		1	1			5
-045	-	P1200P	ENG COMPT AMB PRESS		1				5
-050	-	P1325T	ENG COMPT AMB TEMP		1	1			5
-055	-	P1711T	B1 MACELLE AMB TEMP		1	1			5
-060	-	P1712T	B2 MACELLE AMB TEMP		1	1			5
-065	-	P1091Y	ENG COMPT ACOUSTIC		1	1			5
-071	-	A 743T	AMB @ SUS INSTR PANEL				1		5
-075	-	A 778T	ENG COMPT AMB TEMP		1	1			5
-095	-	M 185X	STAGING CAMERA BKW		1				5
-096	-	M 189X	RCP 1 PLUG DISCON				1		5
-105	-	M7604M	FWD LIFTOFF CAMERA		1	1			5
-106	-	M7605M	AFT LIFTOFF CAMERA				1		5
-110	-	M 606M	STAGING RCP Q4		1	1			5
-120	-	L7601P	MT SHIELD OUTSIDE PRESS 1				1		5
-125	-	L7602P	MT SHIELD OUTSIDE PRESS 2				1		5
000	037-02-	GUIDANCE POD ACOUSTICS.			1	1			2
-015	-	A1780Y	ARMA POD ACOUSTIC		1	1			5
000	037-03-	PROP SYS PERF			1	1			2
-012	-	P1529D	S MAIN LOX VLV POS		1				5
-013	-	P1830D	SUB FUEL VLV POS		1				5
-018	-	P1206D	SUB ENG LOX DOME		1	1			5
-020	-	P1208D	#1 ENG LOX DOME		1	1			5
-025	-	P1209D	B2 ENG LOX DOME		1				5
-030	-	P1002P	B1 FUEL PUMP INLET PRESS		1	1			5
-035	-	P1006P	SUB THR CHAMBER PRESS		1	1			5
-040	-	P1038P	B2 FUEL PUMP DISCH PRESS		1	1			5
-045	-	P1039P	B1 FUEL PUMP DISCH PRESS		1	1			5
-050	-	P1886P	SUB LOX PUMP INLET PRESS		1	1			5
-055	-	P1099P	B2 THR CHAMBER PRESS		1	1			5
-060	-	P1060P	B1 THR CHAMBER PRESS		1	1			5
-065	-	P1091P	B1 LOX INJ MANIFOLD PRESS		1	1			5
-070	-	P1092P	B2 LOX INJ MANIFOLD PRESS		1	1			5

GENERAL DYNAMICS | ASTRONAUTICS

26 SEPTEMBER 1962

OSTF-2 OBJ	COMPOSITE	26 SEP 62	AEG0-0653	123	123456	1234	123456	1	12345	043
-075	-	P1155P	B1 GAS GEN COMBUSTOR PRESS	1		1				5
-080	-	P1184P	J2 GAS GEN COMBUSTOR PRESS	1		1				5
-085	-	P1337P	S GG LOX INJ MANIFOLD PRESS	1		1				5
-090	-	P1351P	S LOX INJ MANIFOLD PRESS	1		1				5
-092	-	P1463P	S GG FUEL INJ MAN PRESS	1						5
-095	-	P1530T	SUS LOX PUMP INLET TEMP	1		1				5
-105	-	D 160Y	MANUAL FUEL CUTOFF	1		1				5
-110	-	D 161X	AUTOMATIC FUEL CUTOFF	1		1				5
-115	-	F 145P	S CTL HE BTL DISCH PRESS	1		1				5
-120	-	F 246P	B TK HE BTL HI PRESS	1		1				5
-125	-	H 185P	S HYD PUMP INLET	1		1				5
-130	-	P 91B	B2 PUMP SPEED	1		1				5
-135	-	P 84B	B1 PUMP SPEED	1		1				5
-140	-	P 349B	S PUMP SPEED	1		1				5
-145	-	P 529D	S MAIN LOX VALVE POS				1			5
-150	-	P 810D	SUS FUEL VLV POS				1			5
-155	-	P 10	B1 LOX PUMP INLET PRESS				1			5
-160	-	P 3P	B2 LOX PUMP INLET PRESS	1		1				5
-163	-	P 60	S THRUST CHAMBER PRESS	1		1				5
-170	-	P 270	VERNIER FUEL TK PRESS				1			5
-175	-	P 280	V1 THRUST CHAMBER PRESS	1		1				5
-180	-	P 290	V2 THRUST CHAMBER PRESS	1		1				5
-185	-	P 300	VERNIER LOX TK PRESS				1			5
-190	-	P 38P	B2 FUEL PUMP DISCH PRESS	1		1				5
-195	-	P 39P	B1 FUEL PUMP DISCH PRESS	1		1				5
-200	-	P 56P	S LOX PUMP INLET PRESS	1		1				5
-205	-	P 59P	B2 THRUST CHAMBER PRESS	1		1				5
-210	-	P 60P	B1 THRUST CHAMBER PRESS	1		1				5
-215	-	P 130P	S FUEL PUMP DISCH PRESS	1		1				5
-220	-	P 137P	S GG LOX INJ MAN PRESS				1			5
-225	-	P 151P	S LOX INJ MAN PRESS				1			5
-230	-	P 463P	S GG FUEL INJ MAN PRESS				1			5
-235	-	P 474P	VERNIER CTL PRESS REG OUT	1		1				5
-240	-	P 709T	S GG COMBUSTOR TEMP	1		1				5
-245	-	P 713T	B1 GAS GEN COMBUSTOR TEMP	1		1				5
-250	-	P 714T	B2 GAS GEN COMBUSTOR TEMP				1			5

REPORT NO. AE60-0653

SECTION 8

GENERAL DYNAMICS | ASTRONAUTICS

26 SEPTEMBER 1962

OSTF-2 OBJ COMPOSITE 26 SEP 62		AE60-0653	123	123456	1234	123456	1	12345	044
-255	- S 241X	SUS CUTOFF DISCRETE					1		5
-260	- S 373X	BOOSTER CUTOFF					1		5
-265	- S 376X	VERNIER CUTOFF					1		5
-270	- U 101A	AXIAL ACCELN-STA 910		1		1			5
-275	- U 80P	LOX TANK HEAD PRESS		1		1			5
-280	- U 81P	FUEL TANK HEAD PRESS		1		1			5
-286	- M7604H	FWD LIFTOFF CAMERA		1		1			5
-287	- M7605N	AFT LIFTOFF CAMERA					1		5
000	037-04-	SHUTOFF VALVE EFFECT		1		1			2
-015	- M 606N	STAGING RCP Q4		1		1			5
-020	- M 185X	STAGING CAMERA BKW		1					5
-021	- M 189X	RCP 1 PLUG DISCON					1		5
000	037-05-	THRUST SECTION CONDITIONS.		1		1			2
-012	- A 743T	AMB @ SUS INSTR PANEL					1		5
-015	- A 778T	ENG COMPT AMB TEMP		1		1			5
-030	- M 32X	COVAX VALVE COMMAND		1		1			5
-035	- M 185X	STAGING CAMERA BKW		1					5
-036	- M 189X	RCP 1 PLUG DISCON					1		5
-040	- U 101A	AXIAL ACCELN-STA 910		1		1			5
-050	- M 606N	STAGING RCP Q4		1		1			5
000	038-01-	RANGE, TRAJECTORY & CEP		1		1			2
000	038-02-	AIRFRAME ADEQUACY		1		1			2
-012	- A 743T	AMB @ SUS INSTR PANEL					1		5
-015	- A 778T	ENG COMP AMB TEMP		1		1			5
-020	- F 1P	LOX TANK HE PRESS		1		1			5
-025	- F 3P	FUEL TANK HE PRESS		1		1			5
-035	- M 185X	STAGING CAMERA BKW		1					5
-036	- M 189X	RCP 1 PLUG DISCON					1		5
-040	- U 101A	AXIAL ACCELN-STA 910		1		1			5
-050	- A1780Y	GUID POD ACOUSTIC		1		1			5
-060	- M 606N	STAGING RCP Q4		1		1			5

GENERAL DYNAMICS | ASTRONAUTICS

26 SEPTEMBER 1962

OBJ	COMPOSITE	DATE	AE60-0653	123	123456	1234	123456	1	12345	045
000	038-03-	ELEC SYS PERF				1	1			2
-015	- E	50Q 400 CPS AC PWR SUPPLY				1	1			5
-020	- E	51V 400 CPS AC PHASE A VOLT				1	1			5
-025	- E	28V MSL SYS INPUT VOLT				1	1			5
000	038-04-	FLIGHT CTL SYS PERF				1	1			2
-015	- S	61D ROLL DISPL GYRO SIG				1	1			5
-020	- S	62D PITCH DISPL GYRO SIG				1	1			5
-025	- S	63D YAW DISPL GYRO SIG				1	1			5
-030	- S	203D B1 PITCH/ROLL POS				1	1			5
-035	- S	204D B2 PITCH/ROLL POS				1	1			5
-040	- S	205D B1 YAW POS				1	1			5
-045	- S	206D B2 YAW POS				1	1			5
-050	- S	222D V1 PITCH POS				1	1			5
-055	- S	223D V2 PITCH POS				1	1			5
-060	- S	233D V1 YAW/ROLL POS				1	1			5
-065	- S	234D V2 YAW/ROLL POS				1	1			5
-070	- S	256D SUS YAW POS				1	1			5
-075	- S	257D SUS PITCH POS				1	1			5
-080	- S	52R ROLL RATE GYRO SIG				1	1			5
-085	- S	53R PITCH RATE GYRO SIG				1	1			5
-090	- S	54R YAW RATE GYRO SIG				1	1			5
-091	- S	241X SUS CUTOFF DISCRETE					1			5
-092	- S	248X A/P PROGRAMMER SW 17					1			5
-093	- S	373X BOOSTER CUTOFF					1			5
-094	- S	376X VERNIER CUTOFF					1			5
-095	- S	379X FIRE RETROROCKETS					1			5
-096	- M	32X CONAX VALVE COMMAND				1	1			5
-100	- I	570X STAGING SIG				1	1			5
-105	- I	522X SUS ENG CUTOFF SIG				1	1			5
-110	- I	521X VERNIER ENG CUTOFF SIG				1	1			5
-115	- I	527X PRE-ARM RELAY CLSD				1	1			5
-120	- I	528V YAW STEERING SIG				1	1			5
-125	- I	530V PITCH RESOLVER SIG				1	1			5
-130	- I	580V AZM RESOLVER SIG				1	1			5



26 SEPTEMBER 1962

JSTF-2 OBJ COMPOSITE 26 SEP 62		AE60-0653	123	123456	1234	123456	1	12345	146
000	038-05-	GUIDANCE SYS PERF			1		1		2
-015	- I 552D	REDNOT GYRO PICKOFF			1		1		5
-020	- I 505H	COMPUTER POS X			1		1		5
-025	- I 506H	COMPUTER POS Y			1		1		5
-030	- I 507H	COMPUTER POS Z			1		1		5
-035	- I 508H	RANGE ERROR FUNCTION			1		1		5
-040	- I 509H	AZM ERROR FUNCTION			1		1		5
-045	- I 502L	COMPUTER VEL X			1		1		5
-050	- I 503L	COMPUTER VEL Y			1		1		5
-055	- I 504L	COMPUTER VEL Z			1		1		5
-060	- I 528V	YAW STEERING SIG			1		1		5
-065	- I 529V	ROLL RESOLVER SIG			1		1		5
-070	- I 530V	PITCH RESOLVER SIG			1		1		5
-075	- I 580V	AZM RESOLVER SIG			1		1		5
-080	- I 510W	ELAPSED TIME			1		1		5
-085	- I 581W	TIME T			1		1		5
-090	- I 521X	VERNIER ENG CUTOFF SIG			1		1		5
-095	- I 522X	SUS ENG CUTOFF SIG			1		1		5
-100	- I 527X	PRE-ARM RELAY CLSD			1		1		5
-105	- I 570X	STAGING SIG			1		1		5
-115	- A1780Y	GUID POD ACOUSTIC			1		1		5
000	038-06-	HYD SYS PERF			1		1		2
-015	- H 33P	B1 HYD ACCUM PRESS			1		1		5
-020	- H 140P	VERNIER HYD PRESS			1		1		5
-025	- H 185P	SUS HYD PUMP INLET PRESS			1		1		5
-026	- H 224P	B HYD SYS LO PRESS					1		5
000	038-07-	PNEU SYS PERF			1		1		2
-015	- F 1P	LOX TANK HE PRESS			1		1		5
-020	- F 3P	FUEL TANK HE PRESS			1		1		5
-025	- F 145P	S CTL HE BTL DISCH PRESS			1		1		5
-030	- F 246P	B TK HE BTL HI PRESS			1		1		5
-031	- F 247P	B TK HE BTL PRESS					1		5
-040	- F1290T	S CTL HE BTL TEMP			1		1		5
-045	- F1145P	SUS CTL HE BTL DISCH PRESS			1		1		5

GENERAL DYNAMICS | ASTRONAUTICS

26 SEPTEMBER 1962

DATE: 26 SEP 62 AE60-0653

123 123456 1234 123456 1 12345

047

-050	- F1247T	B TK HC BTL TEMP	1		5
000	038-08-	PU SYSTEM PERF	1	1	2
-012	- P 529D	SUS MAIN LOX VLV POS		1	5
-013	- P 830D	SUS FUEL VLV POS		1	5
-015	- U 101A	AXIAL ACCELN	1	1	5
-020	- U 80P	LOX TK HEAD PRESS	1	1	5
-025	- U 810	FUEL TK HEAD PRESS	1	1	5
-030	- U 113V	AA VLV POS FB	1	1	5
-035	- U 135T	AA SENSORS SIG	1	1	5
-045	- P1529D	SUS MAIN LOX VLV POS	1		5
-050	- P1830D	SUS FUEL VLV POS	1		5
000	038-09-	PROPULSION SYS PERF	1	1	2
000	038-10-	IRSS & GERSIS PERF	1	1	2
-015	- G 504C	MOD III MAGNETRON		1	5
-020	- G 582E	MOD III RATE BCN HF OUT		1	5
-025	- G 594V	MOD III RATE BCN PH DET		1	5
-035	- D 1101	MSL DESTRUCT SIG	1	1	5
-040	- D 160X	MANUAL FUEL CUTOFF SIG	1	1	5
-045	- D 161X	AUTO FUEL CUTOFF SIG	1	1	5
000	038-11-	R/V PERF	1	1	2
-015	- Y 1X	SEPARATION SIG	1	1	5
000	038-12-	L/P-FLAME RUCKET -MSL INTERFACE	1	1	2
-040	- L7601P	HT SHIELD OUTSIDE PRESS 1		1	5
-045	- L7602P	HT SHIELD OUTSIDE PRESS 2		1	5
-050	- L7013P	FLAME DELECT AMU PRESS 1		1	5
-055	- L7014P	FLAME DELECT AMU PRESS 2		1	5
-060	- L7015P	FLAME DELECT AMU PRESS 3		1	5
-065	- L7016P	FLAME DELECT AMU PRESS 4		1	5
000	040-01-	COMPRESSOR PERFORMANCE	1		2

REPORT NO. AE60-0653

SECTION 8

26 SEPTEMBER 1962

GENERAL DYNAMICS | ASTRONAUTICS

OSTF-2 OBJ COMPOSITE 26 SEP 62		AE60-0653	123	123456	1234	123456	1	12345	048
000	040-02-	INSTRUMENT AIR SUPPLY					1		2
000	040-03-	SILLO OVERPRESSURE					1	1	2
-015	-	N7230P CRIB AMB PRESS 1					1	1	5
-020	-	N7231P CRIB A R PRESS 2					1	1	5
-025	-	N7232P CRIB AMB PRESS 3					1	1	5
-030	-	N7233P CRIB AMB PRESS 4					1	1	5
-035	-	N7234P CRIB AMB PRESS 5					1	1	5
-040	-	N7235P CRIB AMB PRESS 6					1	1	5
000	041-00-	HOUSEKEEPING & CORROSION					222222	22222	2
000	042-00-	SACS MAMS CHECKOUT					2	2	2
000	099-00-	OPERATIONAL MEASUREMENTS							2
-020	-	F7001P LOX TANK PRESSURE	111	11111	111	1	111	1 11	5
-025	-	F7003P FUEL TANK PRESSURE	111	11111	111	1	111	1 11	5
-030	-	F7005P FUEL TK PRESS DUCT @ PCU	111	11111	111	1	111	1 11	5
-035	-	F7012P LOX TK PRESS DUCT @ PCU	111	11111	111	1	111	1 11	5
-040	-	H7507P SYS HYD ACUM PRESS					111	1 111	5
-045	-	H7529P L/P BRAKE PRESS					111	1 111	5
-050	-	N7803B L/P DRIVE MOTOR SPEED					111	1 111	5
-055	-	N7908D L/P DISPLACEMENT					111	1 111	5
-060	-	N7804F DRIVE MOTOR TORQUE					111	1 111	5
-065	-	N7747N TV CAMERA 1					1	111	5
-066	-	N7748N TV CAMERA 2					1	111	5
-067	-	N7749N TV CAMERA 3					1	111	5
-068	-	N7750N TV CAMERA 4					1	111	5
-069	-	N7751N TV CAMERA 5					1	111	5
-070	-	N7752N TV CAMERA 6					1	111	5
-071	-	N7753N TV CAMERA 7					1	111	5
-080	-	P7549P LOX STOR TK ULLAGE PRESS	11111	111	1	111	1	11	5
-085	-	P7564P LOX STOR TK-HSL DP	11111	111	1	111	1	11	5

REPORT NO. AE60-0653

SECTION 8

GENERAL DYNAMICS | ASTRONAUTICS

26 SEPTEMBER 1962

OSTF-2 OBJ COMPOSITE 26 SEP 62 AE60-0653 123 123456 1234 123456 1 12345 049

-090 - P7709P LOX TOP TK ULLAGE PRESS 11111 111 1 111 1 11 5

~~CONFIDENTIAL~~  
GENERAL DYNAMICS | ASTRONAUTICS  
REPORT NO. AE60-0653  
26 SEPTEMBER 1962

This page intentionally left blank.

THIS MATERIAL CONTAINS INFORMATION AFFECTING THE NATIONAL DEFENSE OF THE UNITED STATES WITHIN THE MEANING OF THE ESPIONAGE LAWS, TITLE 18, U.S.C., SECTIONS 793 AND 794, THE TRANSMISSION OR REVELATION OF WHICH IN ANY MANNER TO AN UNAUTHORIZED PERSON IS PROHIBITED BY LAW

~~CONFIDENTIAL~~

SECTION 9  
OBJECTIVE/INSTRUMENTATION COMPOSITE - OSTF #2

<u>OBJECTIVE</u>	<u>TEST SERIES</u> → 1                    2                    3                    4
This is a concise description of the test objective.	<u>TEST BLOCK</u> → 1      2      3      1 2   1   2 3   1 2
030 TO ESTABLISH WEAPON SYSTEM REACTION TIME DURING FIRST READINESS CONDITION.	<u>COUNTDOWN</u> → 1234   1234   1234
<u>DATA REQUIREMENTS:</u>	<u>OBJECTIVE EFFECTIVITY</u> → XXXX XX X X X

1. ESTABLISH NORMAL TIME TO PERFORM AN OPERATIONAL COUNTDOWN.
2. ESTABLISH NORMAL TIME FOR A SUBSYSTEM TO RE-ACT WITHIN THE COUNTDOWN.

NON-METRIC DATA

NOT REQUIRED

METRIC DATA

N7051X	COM. STA. 1	ON-OFF	1111	11	1	1	1
N7052X	COM. STA. 2	ON-OFF	1111	11	1	1	1

MEASUREMENT NUMBER

MEASUREMENT DESCRIPTION

This is a brief, usually abbreviated description of the measurement. \*

MEASUREMENT PRIORITY

These numbers indicate measurement effectivity and relative importance.

NOTE: For a more detailed explanation of this format and a key to the abbreviations and coding see the Appendix of this report.

**BLANK PAGE**

GENERAL DYNAMICS | ASTRONAUTICS

26 SEPTEMBER 1962

OSTF 2 REC ASSIGNMNT 26 SEP 62 AE60-0653 123 123456 1234 123456 1 12345 001

-  
 - NOTE. /1/ 7000 SERIES MEAS. NUMBERS INDICATE LANDLINE MEASUREMENTS.  
 - /2/ 1000 SERIES MEAS NUMBERS INDICATE TRAILING WIRE MEASUREMENTS.  
 -

- THE FOLLOWING SYMBOLS INDICATE THE CODE USED IN PREPARING THIS

- RECORDER ASSIGNMENT.
- B-DIGITAL RECORDER
- D-SANBORN RECORDER
- F-FM TAPE RECORDER
- L-CAMERA
- N-DYNAMICS LAB RECORDER
- O-OSCILLOGRAPH RECORDER
- P-PORTABLE RECORDER
- R-EA SEQUENCE RECORDER
- S-BROWN OR STRIP RECORDER
- T-SILO RECORDER
- V-VISUAL PANEL GAGE

001-09	A7941A	ACCELN MSL X AXIS	
	A7941A	ACCELN MSL X AXIS	
001-09	A7942A	ACCELN MSL Y AXIS	
	A7942A	ACCELN MSL Y AXIS	
001-09	A7828D	MSL NOSE X AXIS DISPL	
	A7828D	MSL NOSE X AXIS DISPL	
001-09	A7829D	MSL NOSE Y AXIS DISPL	
	A7829D	MSL NOSE Y AXIS DISPL	
034-00	A1217P	HT SHIELD DP QUAD 2	
037-01	A1217P	HT SHIELD DP QUAD ?	

E  
 E  
 E  
 E  
 E  
 F  
 B  
 1  
 1



26 SEPTEMBER 1962

OSTF 2 REC ASSIGNMNT	26 SEP 62	AE60-0653	123	123456	1234	123456	1	12345	002
		A1218P	HT SHIFLD DP Y-Y AXIS			F			E
		A1218P	HT SHIELD DP Y-Y AXIS			B			
034-00		A1218P	HT SHIELD DP Y-Y AXIS			1			
037-01		A1218P	HT SHIELD DP Y-Y AXIS			1			
		A1219P	HT SHIELD DP QUAD 1			F	F		E
		A1219P	HT SHIELD DP QUAD 1			B	B		
034-00		A1219P	HT SHIELD DP QUAD 1			1	1		
037-01		A1219P	HT SHIELD DP QUAD 1			1	1		
		A1220P	HT SHIELD DP QUAD 3			F	F		E
		A1220P	HT SHIELD DP QUAD 3			B	B		
034-00		A1220P	HT SHIELD DP QUAD 3			1	1		
037-01		A1220P	HT SHIELD DP QUAD 3			1	1		
		A1585P	HT SHIELD INSIDE PRESS 1			F	F		E
		A1585P	HT SHIELD INSIDE PRESS 1			B	B		
034-00		A1585P	HT SHIELD INSIDE PRESS 1			1	1		
037-01		A1585P	HT SHIELD INSIDE PRESS 1			1	1		
		A1586P	HT SHIELD INSIDE PRESS 2			F	F		E
		A1586P	HT SHIELD INSIDE PRESS 2			B	B		
034-00		A1586P	HT SHIELD INSIDE PRESS 2			1	1		
037-01		A1586P	HT SHIELD INSIDE PRESS 2			1	1		
		A1194T	HT SHIELD TEMP FWD Q4			F	F		E
		A1194T	HT SHIELD TEMP FWD Q4			B	B		
034-00		A1194T	HT SHIELD TEMP FWD Q4			1	1		
037-01		A1194T	HT SHIELD TEMP FWD Q4			1	1		
		A1195T	HT SHIELD TEMP FWD Q2			F	F		E
		A1195T	HT SHIELD TEMP FWD Q2			B	B		
034-00		A1195T	HT SHIELD TEMP FWD Q2			1	1		
037-01		A1195T	HT SHIELD TEMP FWD Q2			1	1		
		A7901T	ROT INV SKIN	00					E
003-01		A7901T	ROTARY INV SKIN TEMP	11					
		A7902T	ARMA PLAT SKIN FWD	000 000000					E
		A7902T	ARMA PLAT SKIN TEMP FWD	222 22222					
003-12		A7902T	ARMA PLAT SKIN TEMP FWD	22					
003-24		A7902T	ARMA PLAT SKIN TEMP FWD	2					
009-01		A7902T	ARMA PLAT SKIN TEMP FWD						
		A7903T	ARMA PLAT SKIN AFT	000 000000					E
		A7903T	ARMA PLAT SKIN TEMP AFT	222 22222					
003-12		A7903T	ARMA PLAT SKIN TEMP AFT	22					
003-24		A7903T	ARMA PLAT SKIN TEMP AFT	2					
009-01		A7903T	ARMA PLAT SKIN TEMP AFT						
		A7904T	ARMA CONTROL SKIN	000 000000					E
		A7904T	ARMA CONTROL SKIN TEMP	222 22222					
003-12		A7904T	ARMA CONTROL SKIN TEMP	22					
003-24		A7904T	ARMA CONTROL SKIN TEMP	2					
009-01		A7904T	ARMA CONTROL SKIN TEMP						
		A7905T	TLM XMTR SKIN	00					E
003-01		A7905T	TLM XMTR SKIN TEMP	11					
		A7906T	ROTARY INV AMB AIR	00					E
003-01		A7906T	ROTARY INV AMB AIR TEMP	11					
		A7907T	ARMA PLAT AMB AIR	00 0					E

GENERAL DYNAMICS | ASTRONAUTICS

26 SEPTEMBER 1962

OSTF 2 REC ASSIGNMNT	26 SEP 62	AE60-0653	123	123456	1234	123456	1	12345	003
003-01	A7907T	ARMA PLAT AMB AIR TEMP	11						
005-01	A7907T	ARMA PLAT AMB AIR TEMP	2						
003-01	A7908T	ARMA COMT AMB AIR	88						E
	A7908T	ARMA COMPT AMB AIR TEMP	11						
003-01	A7909T	TLM XMTR AMB AIR	88						E
	A7909T	TLM XMTR AMB AIR TEMP	11						
003-01	A7911T	B2 POD INLET AIR	88						E
	A7911T	B2 POD INLET AIR TEMP	11						
003-12	A7912T	AIG POD INNER SKIN	888 838888						E
003-24	A7912T	AIG POD INNER SKIN TEMP	222 22222						
005-01	A7912T	AIG POD INNER SKIN TEMP	22						
			2						
034-00	A1780Y	ARMA POD ACOUSTIC				N		N	
037-02	A1780Y	ARMA POD ACOUSTIC				1		1	
038-02	A1780Y	GUID POD ACOUSTIC				1		1	
038-05	A1780Y	GUID POD ACOUSTIC				1		1	
001-14	E7003V	28 VDC GND VOLTAGE							E
	E7003V	28 VDC GND VOLTAGE							
	F7001P	LOX TANK PRESSURE	555 55555	555	5	555		5 55	E
	F7001P	LOX TANK PRESSURE	888 88888	888	8	888		8 88	
001-03	F7001P	LOX TANK PRESSURE	1						
003-02	F7001P	LOX TANK PRESSURE	111		111	1	111	1 11	
003-03	F7001P	LOX TANK PRESSURE	111						
003-04	F7001P	LOX TANK PRESSURE							
007-01	F7001P	LOX TANK PRESSURE			111	1	111	1 11	
007-05	F7001P	LOX TANK PRESSURE			111	1	111	1 11	
007-06	F7001P	LOX TANK PRESSURE			11	111	1	111	1 11
010-01	F7001P	LOX TANK PRESSURE			11111	111	1	111	1 11
010-03	F7001P	LOX TANK PRESSURE			11111	111	1	111	1 11
010-04	F7001P	LOX TANK PRESSURE			11111	111	1	111	1 11
010-04	F7001P	LOX TANK PRESSURE			11111				
010-07	F7001P	LOX TANK PRESS			11111				
024-	F7001P	LOX TANK PRESSURE				1	1	1 1	
099-00	F7001P	LOX TANK PRESSURE	111	11111	111	1	111	1 11	
	F7003P	FUEL TANK PRESSURE	555 55555	555	5	555		5 55	E
	F7003P	FUEL TANK PRESSURE	888 88888	888	8	888		8 88	
003-02	F7003P	FUEL TANK PRESSURE	111		111	1	111	1 11	
003-03	F7003P	FUEL TANK PRESSURE	111						
003-04	F7003P	FUEL TANK PRESSURE							
007-01	F7003P	FUEL TANK PRESSURE			111	1	111	1 11	
007-05	F7003P	FUEL TANK PRESSURE			111	111	1	111	1 11
007-06	F7003P	FUEL TANK PRESSURE			11	111	1	111	1 11
011-01	F7003P	FUEL TANK PRESSURE							
011-02	F7003P	FUEL TANK PRESS							
011-04	F7003P	FUEL TANK PRESSURE							
011-06	F7003P	FUEL TANK PRESSURE							
024-	F7003P	FUEL TANK PRESSURE				1	1	1 1	
099-00	F7003P	FUEL TANK PRESSURE	111	11111	111	1	111	1 11	
	F7005P	FUEL TK PRESS DUCT PCU	555 55555	555	5	555		5 55	E
	F7005P	FUEL TK PRESS DUCT PCU	888 88888	888	8	888		8 88	
003-02	F7005P	FUEL TK PRESS DUCT PCU	111		111	1	111	1 11	

REPORT NO. AE60-0653

SECTION 9

GENERAL DYNAMICS | ASTRONAUTICS

26 SEPTEMBER 1962

STF 2 REC ASSIGNMNT 26 SEP 62

AE60-0653

123 123456 1234 123456 1 12345

004

024-	F7005P	FUEL TK PRESS DUCT @ PCU				1 1	1 1	
099-00	F7005P	FUEL TK PRESS DUCT @ PCU	111	11111	111	1 111	1 11	
	F7006P	FUL TK PRES DUCT ROD	FFF					E
003-02	F7006P	FUEL TK PRESS DUCT @ R-O-D	111					
	F7012P	LOX TK PRES DUCT PCU	FFF	55555	555	5 555	5 55	E
	F7012P	LOX TK PRES DUCT PCU		88888	888	8 888	8 88	
003-02	F7012P	LOX TK PRESS DUCT @ PCU	111		111	1 111	1 11	
024-	F7012P	LOX TK PRESS DUCT @ PCU				1 1	1 1	
099-00	F7012P	LOX TK PRESS DUCT @ PCU	111	11111	111	1 111	1 11	
	F7013P	LOX TK PRES DUCT ROD	FFF					E
003-02	F7013P	LOX TK PRESS DUCT @ R-O-D	111					
	F7020P	LN2 P @ ROD	FFF					E
003-09	F7020P	LN2 PRESS @ R-O-D	111					
	F1145P	S CTL HE BTL DISCH PRESS			555	5 555	5 5	E
	F1145P	S CTL HE BTL DISCH PRESS			FFF	F FFF	F F	
007-01	F1145P	S CTL HE BTL DISCH PRESS			111	1 111		
024-	F1145P	S CTL HE BTL DISCH PRESS				1 1	1 1	
034-00	F1145P	SUS CTL HE BTL OUT PRESS				1	1	
038-07	F1145P	SUS CTL HE BTL DISCH PRESS				1	1	
	F7246P	B TANK HE BOTTLES HI	555					E
003-04	F7246P	B TK HE BTL HI PRESS	111					
	F7567P	FUEL LVL TK ULLAGE PRESS						E
011-02	F7567P	FUEL LVL TK ULLAGE PRESS						
	F7713P	A/B LN2 SHROUD	FFF					E
003-09	F7713P	A/B LN2 SHROUD PRESS	111					
	F7716P	GND HT XGR HE IN	FFF					E
003-09	F7716P	GND HT XCHGR HE IN PRESS	111					
	F7717P	GND HT XGR HE OUT	FFF					E
003-04	F7717P	GND HT XCHGR HE OUT PRESS						
003-09	F7717P	GND HT XCHGR HE OUT PRESS	111					
	F7720P	LN2 STOR XFER P	FFF					E
003-09	F7720P	LN2 STOR TK XFER PRESS	111					
	F7723P	HE SUPPLY #1 @ PDU	555					E
003-02	F7723P	HE SUPPLY 1 @ PDU	111					
003-03	F7723P	HE SUPPLY 1 @ PDU	111					
003-04	F7723P	HE SUPPLY 1 @ PDU						
	F7724P	HE SUPPLY #2 @ PDU	555					E
003-02	F7724P	HE SUPPLY 2 @ PDU	111					
003-03	F7724P	HE SUPPLY 2 @ PDU	111					
003-04	F7724P	HE SUPPLY 2 @ PDU						
	F7725P	GN2 SUPPLY @ PDU	FFF					E
003-02	F7725P	GN2 SUPPLY PRESS @ PDU	111					

GENERAL DYNAMICS | ASTRONAUTICS

26 SEPTEMBER 1962

OSTF 2 REC ASSIGNMNT	26 SEP 62	AE60-0653	123 123456 1234 123456 1 12345	009
003-02	F7727P	REGULATED INST AIR	FFF	C
003-03	F7727P	REGULATED INST AIR PRESS	111	
003-03	F7727P	REGULATED INST AIR PRESS	111	
003-02	F7731P	HE SUPPLY 2 @ TEST PT E	B	E
003-02	F7731P	HE SUPPLY 2 @ TEST PT E	F	
003-02	F7731P	HE SUPPLY 2 @ TEST PT E	1	
003-04	F7735P	HE SUP TO MSL @ HCU		E
003-04	F7735P	HE SUP TO MSL PRESS @ HCU		
011-02	F7911P	FUEL PRESN TK DISCH PRESS		E
011-02	F7911P	FUEL PRESN TK DISCH PRESS		
003-09	F7719R	STORAGE TANK LN2 OUT	FFF	E
003-09	F7719R	LN2 STOR TK OUT FL/RT	111	
003-02	F7017T	FUEL TK PRES DUCT	FFF	E
003-02	F7017T	FUEL TK PRESS DUCT TEMP	111	
003-02	F7018T	LOX TK PRES DUCT	FFF	E
003-02	F7018T	LOX TK PRESS DUCT TEMP	111	
007-01	F1247T	B TK HE BTL TEMP	FFF	E
034-00	F1247T	B TK HE BTL TEMP	111	
038-07	F1247T	B TK HE BTL TEMP	1	
003-04	F7248T	HE TEMP HI 4 BTL	FFF	E
003-04	F7248T	HE TEMP HI 4 BTL	111	
003-09	F7248T	HE TEMP HI 4 BTL	111	
003-04	F7249T	HE TEMP LO 4 BTL	FFF	E
003-04	F7249T	HE TEMP LO 4 BTL	111	
003-09	F7249T	HE TEMP LO 4 BTL	111	
003-04	F7250T	HE TEMP LO 2 BTL	FFF	E
003-04	F7250T	HE TEMP LO 2 BTL	111	
003-09	F7250T	HE TEMP LO 2 BTL	111	
007-01	F1290T	S CTL HE BOTTLE TEMP	FFF	E
034-00	F1290T	S CTL HE BOTTLE TEMP	000 0 000	
038-07	F1290T	S CTL HE BOTTLE TEMP	111 1 111	
007-01	F1290T	SUS CTL HE BTL TEMP	1	
034-00	F1290T	SUS CTL HE BTL TEMP	1	
038-07	F1290T	S CTL HE BTL TEMP	1	
003-09	F7714T	GND HT XGR HE IN	FFF	E
003-09	F7714T	GND HT XCHGR HE IN PRESS	111	
003-09	F7715T	GND HT XGR HE OUT	FFF	E
003-09	F7715T	GND HT XCHGR HE OUT PRESS	111	
003-04	F7736T	HE SUP TO MSL @ HCU		E
003-04	F7736T	HE SUP TO MSL TEMP @ HCU		
	F7738T	FUL TK HE SENS @ HCU		E

SECTION 9

26 SEPTEMBER 1962

GENERAL DYNAMICS | ASTRONAUTICS

OSTF 2 REC ASSIGNMNT	26 SEP 62	AE60-0653	123	123456	1234	123456	1	12345	006
003-04	F7738T	FUEL TK HE SENS LINE TEMP							
003-09	F7745T	HE SUP TO MSL @ ROD	FFF						E
	F7745T	HE SUP TO MSL TEMP @ R-O-O	111						
001-07	H7987D	HI DOOR POSITION		D	DDD				E
	H7987D	UPPER DOOR POSITION		1	111				
001-07	H7988D	LO DOOR POSITION		D	DDD				E
	H7988D	LOWER DOOR POSITION		1	111				
001-08	H7507P	SYSTEMS HYD ACUM	DDD	D	FFF	F	FF		E
001-09	H7507P	SYS HYD ACUM PRESS	111	1	111	1	11		
024-	H7507P	SYS HYD ACUM PRESS	111	1	111	1	11		
097-00	H7507P	SYS HYD ACUM PRESS	111	1	111	1	11		
001-07	H7508P	UPPER DOOR HYD ACUM	DDD	D	FFF	F	F		E
024-	H7508P	UPR DOOR HYD ACUM PRESS	111	1	111	1	11		
	H7508P	UPR DR HYD ACUM PRESS		1	1	1	1		
001-07	H7509P	LOWER DOOR HYD ACUM	DDD	D	FFF	F	F		E
024-	H7509P	LWR DOOR HYD ACUM PRESS	111	1	111	1	11		
	H7509P	LWR DR HYD ACUM PRESS		1	1	1	1		
001-08	H7515P	HOR CRIB LK CYL HD		F	FFF				E
	H7515P	HORIZ CRIB LK HD PRESS		1	111				
001-09	H7516P	L/P LOCK-LOCKING		F	FFF				E
001-10	H7516P	L/P LOCK-LOCKING PRESS		1	111				
001-09	H7527P	WGE LKS LOCK ROD END		F	FFF				E
001-10	H7527P	WEDGE LKS CYL ROD PRESS		1	111				
001-09	H7528P	WEDGE LK LKN CYL END		F	FFF				E
001-10	H7528P	WEDGE LKS CYL HD PRESS		1	111				
001-10	H7529P	L/P BRAKE	DDD	D	SSS	S	SS		E
024-	H7529P	L/P BRAKE PRESS	111	1	111	1	11		
099-00	H7529P	L/P BRAKE PRESS	111	1	111	1	11		
001-08	H7969P	CRIB LOCKS VERT		F	FFF				E
	H7969P	VERT CRIB LKS PRESS		1	111				
001-07	H7975P	LWR DOOR CYL ROD END		F	FFF				E
	H7975P	LWR DOOR CYL ROD PRESS		1	111				
001-09	H7976P	L/P LOCK-UNLOCKING		F	FFF				E
001-10	H7976P	L/P LOCK-UNLOCKING PRESS		1	111				
	H7976P	L/P LOCK-UNLOCKING PRESS		1	111				
	H7981P	UPR DOOR CYL HD END		F	FFF				E

OSTF 2 REC ASSIGNMNT 26 SEP 62		AE60-0653	123	123456	1234	123456	1	12345	007
001-07	H7981P	UPR DOOR CYL HD PRESS				1	111		
001-07	H7982P	LWR DOOR CYL HD END				F	FFF		E
001-07	H7982P	LWR DOOR CYL HD PRESS				1	111		
001-07	H7986P	UPR DOOR CYL ROD END				F	FFF		E
001-07	H7986P	UPR DOOR CYL ROD PRESS				1	111		
001-02	H7181T	HYD FLUID S PCH ACTR	F						E
001-02	H7181T	HYD FLUID SUS PITCH ACTR	1						
001-02	H7182T	HYD FLUID S YAW ACTR	F						E
001-02	H7182T	HYD FLUID SUS YAW ACTR	1						
001-02	H7531T	BOOSTER SYSTEM OIL	F						E
001-02	H7531T	BOOSTER SYSTEM OIL	1						
001-02	H7532T	SUS SYSTEM OIL	F						E
001-02	H7532T	SUS SYSTEM OIL	1						
001-08	H7190X	HOR CRIB LKS RET	RR			RRR	R RRR	R RR	
001-08	H7190X	HORIZ CRIB LK 2 NOT EXT	11			111	1 111	1 11	
001-08	H7191X	HOR CRIB LKS EXT	RR			RRR	R RRR	R RR	
001-08	H7191X	HORIZ CRIB LK 2 RETR	11			111	1 111	1 11	
001-08	H7192X	VER LKS EXT	RR			RRR	R RRR	R RR	
001-08	H7192X	VERT CRIB LK 2 RETR	11			111	1 111	1 11	
001-08	H7193X	VER LKS RET	RR			RRR	R RRR	R RR	
001-08	H7193X	VERT CRIB LK 2 EXT	11			111	1 111	1 11	
001-09	H7194X	L/P WEDGE LKS PRESS	RR			RRR	R RRR	R RR	
001-10	H7194X	L/P WEDGE LK 3 EXT	11			111	1 111	1 11	
001-09	H7195X	L/P WEDGE LKS RET	RR			RRR	R RRR	R RR	
001-10	H7195X	L/P WEDGE LK 3 NOT RETR	11			111	1 111	1 11	
001-09	H7196X	L/P WEDGE LK 3 NOT RETR	11			111	1 111	1 11	
001-09	H7196X	L/P MAIN LKS PRESS	RR			RRR	R RRR	R RR	
001-10	H7196X	L/P MAIN LK 3 NOT EXT	11			111	1 111	1 11	
001-09	H7197X	L/P MAIN LKS RET	RR			RRR	R RRR	R RR	
001-10	H7197X	L/P MAIN LK 3 RETR	11			111	1 111	1 11	
001-09	H7198X	L/P MAIN LK 3 RET	11			111	1 111	1 11	
001-09	H7198X	WED LKS CTL VLV CLSD	RR			RRR	R RRR	R RR	
001-10	H7198X	EXT WEDGE LKS SIG	11			111	1 111	1 11	
001-09	H7199X	WED LKS CTL VLV OPN	RR			RRR	R RRR	R RR	
001-10	H7199X	RLTR WEDGL LKS SIG	11			111	1 111	1 11	
001-10	H7199X	RPTR WEDGE LKS SIG	11			111	1 111	1 11	

26 SEPTEMBER 1962

OSTF 2 REC ASSIGNMNT 26 SEP 62		AE60-0653	123	123456	1234	123456	1	12345	008
001-09	M7200X	MAIN LKS CTL VLV CLS	RR		RRR	R	RRR	R	RR
001-10	M7200X	EXT MAIN LKS SIG	11		111	1	111	1	11
001-09	M7201X	MAIN LKS CTL VLV OPN	RR		RRR	R	RRR	R	RR
001-10	M7201X	RETR MAIN LKS SIG	11		111	1	111	1	11
001-08	M7202X	HOR LKS CTL VLV CLS	RR		RRR	R	RRR	R	RR
001-08	M7202X	EXTEND HORIZ LKS SIG	11		111	1	111	1	11
001-08	M7203X	HOR LKS CTL VLV OPN	RR		RRR	R	RRR	R	RR
001-08	M7203X	RETR HORIZ LKS SIG	11		111	1	111	1	11
001-07	M7805X	UPR DR CTL VLV OPEN	RR		RRR	R	RRR	R	RR
001-07	M7805X	OPEN UPR DOOR SIG	11		111	1	111	1	11
001-07	M7806X	LWR DR CTL VLV OPEN	RR		RRR	R	RRR	R	RR
001-07	M7806X	OPEN LWR DOOR SIG	11		111	1	111	1	11
001-09	M7807X	L/P LOCK ASSY OPEN	RR	R	RRR	R	RRR	R	RR
001-10	M7807X	L/P LK ASSY /RETRACT/ OPEN	11		111	1	111	1	11
003-01	M7807X	L/P LOCK ASSY OPEN		2	2	2	2		
001-08	M7809X	VER LK CTL VLV OPEN	RR		RRR	R	RRR	R	RR
001-08	M7809X	RETR VERT LKS SIG	11		111	1	111	1	11
001-07	M7810X	UPR DR CTL VLV CLOSE	RR		RRR	R	RRR	R	RR
001-07	M7810X	CLOSE UPR DOOR SIG	11		111	1	111	1	11
001-07	M7811X	LWR DR CTL VLV CLOSE	RR		RRR	R	RRR	R	RR
001-07	M7811X	CLOSE LWR DOOR SIG	11		111	1	111	1	11
001-09	M7812X	L/P LOCK ASSY CLOSE	RR	R	RRR	R	RRR	R	RR
001-10	M7812X	L/P LK ASSY /EXTEND/ CLSD	11		111	1	111	1	11
003-01	M7812X	L/P LOCK ASSY CLSD		2	2	2	2		
001-10	M7813X	SOL 1 L/P BK CTL VLV	RR						
001-10	M7813X	SOL 1 L/P BK CTL VLV	11						
001-08	M7816X	VER LK CTL VLV CLOSE	RR		RRR	R	RRR	R	RR
001-08	M7816X	EXTEND VERT LKS SIG	11		111	1	111	1	11
001-10	M7972X	PRESS SH RETURN	RR		RRR	R	RRR	R	RR
001-10	M7972X	PRESS SWITCH RETURN	11		111	1	111	1	11
003-12	17515A	ACCELEROMETER XF1	FFF	FFFFFF	FFF	F	FFF	F	E
003-24	17515A	ACCELEROMETER XF1	111	11111	111	1	111	1	
003-01	17515A	ACCELEROMETER XF1		11		1	1	1	
003-12	17516A	ACCELEROMETER YF1	FFF	FFFFFF	FFF	F	FFF	F	E
003-24	17516A	ACCELEROMETER YF1	111	11111	111	1	111	1	
003-24	17516A	ACCELEROMETER YF1		11		1	1	1	

GENERAL DYNAMICS | ASTRONAUTICS

26 SEPTEMBER 1962

OSTF 2 REC ASSIGNMNT 26 SEP 62		AE60-0653	123	123456	1234	123456	1	12345	009
005-01	17516A	ACCELEROMETER YF1		2	2	2	2		
	17517A	ACCELEROMETER Z61	FFF	FFFFF	FFF	F	FFF	F	E
003-12	17517A	ACCELEROMETER ZF1	111	11111	111	1	111		
003-24	17517A	ACCELEROMETER ZF1		11		1	1	1	
005-01	17517A	ACCELEROMETER ZF1		2	2	2	2		
	17518A	ACCELEROMETER XF2	FFF	FFFFF	FFF	F	FFF	F	E
003-12	17518A	ACCELEROMETER XF2	111	11111	111	1	111		
003-24	17518A	ACCELEROMETER XF2		11		1	1	1	
005-01	17518A	ACCELEROMETER XF2		2	2	2	2		
	17519A	ACCELEROMETER YF2	FFF	FFFFF	FFF	F	FFF	F	E
003-12	17519A	ACCELEROMETER YF2	111	11111	111	1	111		
003-24	17519A	ACCELEROMETER YF2		11		1	1	1	
005-01	17519A	ACCELEROMETER YF2		2	2	2	2		
	17520A	ACCELEROMETER ZF2	FFF	FFFFF	FFF	F	FFF	F	E
003-12	17520A	ACCELEROMETER ZF2	111	11111	111	1	111		
003-24	17520A	ACCELEROMETER ZF2		11		1	1	1	
005-01	17520A	ACCELEROMETER ZF2		2	2	2	2		
	17591C	PITCH GYRO TORQUE	FFF	FFFFF					E
003-12	17591C	PITCH GYRO TORQUE	222	22222					
003-24	17591C	PITCH GYRO TORQUE		22					
005-01	17591C	PITCH GYRO TORQUE		2					
	17592C	ROLL GYRO TORQUE	DDD	DDDDDD	DDD	D	DDD	D	E
003-12	17592C	ROLL GYRO TORQUE	222	22222	222	2	211		
003-24	17592C	ROLL GYRO TORQUE		22		2	2	2	
005-01	17592C	ROLL GYRO TORQUE		2	2	2	2		
	17593C	YAW GYRO TORQUE	DDD	DDDDDD	DDD	D	DDD	D	E
003-12	17593C	YAW GYRO TORQUE	222	22222	222	2	222		
003-24	17593C	YAW GYRO TORQUE		22		2	2	2	
005-01	17593C	YAW GYRO TORQUE		2	2	2	2		
	17501D	OPTICAL AZM SIGNAL	DDD	DDDDDD	DDD	D	DDD	D	E
003-12	17501D	OPTICAL AZIMUTH SIG	111	11111	111	1	111		
003-24	17501D	OPTICAL AZIMUTH SIG		11		1	1	1	
005-01	17501D	OPTICAL AZIMUTH SIGNAL		2	2	2	2		
	17511D	ROLL PENDULUM	DDD	DDDDDD	DDD	D	DDD	D	E
003-12	17511D	ROLL PENDULUM	111	11111	111	1	111		
003-24	17511D	ROLL PENDULUM		11		1	1	1	
005-01	17511D	ROLL PENDULUM		2	2	2	2		
	17512D	PITCH PENDULUM	DDD	DDDDDD	DDD	D	DDD	D	E
003-12	17512D	PITCH PENDULUM	111	11111	111	1	111		
003-24	17512D	PITCH PENDULUM		11		1	1	1	
005-01	17512D	PITCH PENDULUM		2	2	2	2		
	17549D	PITCH SERVO ERROR	DDD	DDDD	DDD	D	DDD	D	E
003-12	17549D	PITCH SERVO ERROR	222	2222	222	2	222		
003-24	17549D	PITCH SERVO ERROR		22		2	2	2	
	17550D	ROLL SERVO ERROR	FFF	FFFFF	FFF	F	FFF	F	E
003-12	17550D	ROLL SERVO ERROR	222	22222	222	2	222		



SECTION 9

26 SEPTEMBER 1962

GENERAL DYNAMICS | ASTRONAUTICS

OSTF 2 REC ASSIGNMNT 26 SEP 62 AE60-0653

123 123456 1234 123456 1 12345

010

003-24	17550D	ROLL SERVO ERROR	22	2 2	2	
	17551D	AZIMUTH SERVO ERROR	FFF FFFFF	FFF F FFF	F	E
003-12	17551D	AZIMUTH SERVO ERROR	222 22222	222 2 222		
003-24	17551D	AZIMUTH SERVO ERROR	22	2 2	2	
	17552D	REDNDT GYRO PICK-OFF	DDD DDDDD	DDD D DDD	D	
	17552D	REDNDT GYRO PICK-OFF	FFF FFFFF	FFF F FFF	F	
003-12	17552D	REDNT GYRO PICK-OFF	111 11111	111 1 111		
003-24	17552D	REDNT GYRO PICK-OFF	11	1 1	1	
	17572D	ROLL MEMORY	DDD DDDDD	DDD D DDD	D	E
003-12	17572D	ROLL MEMORY	111 11111	111 1 111		
003-24	17572D	ROLL MEMORY	11	1 1	1	
	17573D	PITCH MEMORY	DDD DDDDD	DDD D DDD	D	E
003-12	17573D	PITCH MEMORY	111 11111	111 1 111		
003-24	17573D	PITCH MEMORY	11	1 1	1	
	17574D	AZIMUTH MEMORY	DDD DDDDD	DDD D DDD	D	E
003-12	17574D	AZIMUTH MEMORY	111 11111	111 1 111		
003-24	17574D	AZIMUTH MEMORY	11	1 1	1	
	17576D	ZERO LAG OUTPUT 1	DDD DDDDD	DDD D DDD	D	E
003-12	17576D	ZERO LAG OUTPUT	222 22222	222 2 222		
003-24	17576D	ZERO LAG OUTPUT	22	2 2	2	
	17505H	COMPUTER POSITION X	FFF FFFFF	FFF FF FFF	FF	
003-12	17505H	COMPUTER POSITION X	111 11111	111 1 111		
003-24	17505H	COMPUTER POSITION X	11	1 1	1	
004-04	17505H	COMPUTER POSITION X	1	1	1	
005-01	17505H	COMPUTER POSITION X	2	2 2 2		
	17506H	COMPUTER POSITION Y	FFF FFFFF	FFF FF FFF	FF	
003-12	17506H	COMPUTER POSITION Y	111 11111	111 1 111		
003-24	17506H	COMPUTER POSITION Y	11	1 1	1	
004-04	17506H	COMPUTER POSITION Y	1	1	1	
005-01	17506H	COMPUTER POSITION Y	2	2 2 2		
	17507H	COMPUTER POSITION Z	FFF FFFFF	FFF FF FFF	FF	
003-12	17507H	COMPUTER POSITION Z	111 11111	111 1 111		
003-24	17507H	COMPUTER POSITION Z	11	1 1	1	
004-04	17507H	COMPUTER POSITION Z	1	1	1	
005-01	17507H	COMPUTER POSITION Z	2	2 2 2		
	17508H	RANGE ERROR FUNCTION	FFF FFFFF	FFF FF FFF	FF	
003-12	17508H	DOWN RANGE ERROR FUNCTION	111 11111	111 1 111		
003-24	17508H	DOWN RANGE ERROR FUNCTION	11	1 1	1	
004-04	17508H	RANGE ERROR FUNCTION	1	1	1	
005-01	17508H	DOWN RANGE ERROR FUNCTION	2	2 2 2		
	17509H	AZM ERROR FUNCTION	FFF FFFFF	FFF FF FFF	FF	
003-12	17509H	CROSS RANGE ERROR FUNCTION	111 11111	111 1 111		
003-24	17509H	CROSS RANGE ERROR FUNCTION	11	1 1	1	
004-04	17509H	AZIMUTH ERROR FUNCTION	1	1	1	
005-01	17509H	CROSS RANGE ERROR FUNCTION	2	2 2 2		
	17502L	COMPUTER VELOCITY X	FFF FFFFF	FFF FF FFF	FF	

GENERAL DYNAMICS | ASTRONAUTICS

26 SEPTEMBER 1962

OSTF 2 REC ASSIGNMNT 26 SEP 62 AE60-0653

123 123456 1234 123456 1 12345

011

003-12 17502L COMPUTER VELOCITY X  
 003-24 17502L COMPUTER VELOCITY X  
 004-04 17502L COMPUTER VELOCITY X  
 005-01 17502L COMPUTER VELOCITY X

111 11111 111 1 111  
 11 1 1  
 1 1 1  
 2 2 2 2

003-12 17503L COMPUTER VELOCITY Y  
 003-24 17503L COMPUTER VELOCITY Y  
 004-04 17503L COMPUTER VELOCITY Y  
 005-01 17503L COMPUTER VELOCITY Y

FFF FFFFF FFFF FF FFF FF  
 111 11111 111 1 111  
 11 1 1  
 1 1 1  
 2 2 2 2

003-12 17504L COMPUTER VELOCITY Z  
 003-24 17504L COMPUTER VELOCITY Z  
 004-04 17504L COMPUTER VELOCITY Z  
 005-01 17504L COMPUTER VELOCITY Z

FFF FFFFF FFFF FF FFF FF  
 111 11111 111 1 111  
 11 1 1  
 1 1 1  
 2 2 2 2

003-12 175380 ALIGN GROUP RADIAL  
 003-24 175380 ALNMT GROUP RADIAL  
 003-24 175380 ALIGNMENT GROUP RADIAL

FFF FFFFF  
 222 22222  
 22

E

003-12 175390 ALIGN GROUP TANG  
 003-24 175390 ALNMT GROUP TANG  
 003-24 175390 ALIGNMENT GROUP TAN

FFF FFFFF  
 222 22222  
 22

E

003-12 175420 ALIGN GROUP AXIAL  
 003-24 175420 ALNMT GROUP AXIAL  
 003-24 175420 ALIGNMENT GROUP AXIAL

FFF FFFFF  
 222 22222  
 22

E

003-12 17015T COMPUTER EXHAUST  
 003-24 17015T COMPUTER EXHAUST TEMP  
 005-01 17015T COMPUTER EXHAUST

SSS SSSSSS  
 111 11111  
 11  
 2

E

003-12 17528V YAW STEERING SIG  
 003-24 17528V YAW STEERING SIG  
 004-04 17528V YAW STEERING SIGNAL  
 005-01 17528V YAW STEERING SIGNAL

FFF FFFFF FFFF FF FFF FF  
 111 11111 111 1 111  
 11 1 1  
 1 1 1  
 2 2 2

003-12 17529V ROLL RESOLVER SIG  
 003-24 17529V ROLL RESOLVER SIG  
 004-04 17529V ROLL RESOLVER SIGNAL  
 005-01 17529V ROLL RESOLVER SIGNAL

FFF FFFFF FFFF FF FFF FF  
 111 11111 111 1 111  
 11 1 1  
 1 1 1  
 2 2 2 2

003-12 17530V PITCH RESOLVER SIG  
 003-24 17530V PITCH RESOLVER SIG  
 004-04 17530V PITCH RESOLVER SIGNAL  
 005-01 17530V PITCH RESOLVER SIGNAL

FFF FFFFF FFFF FF FFF FF  
 111 11111 111 1 111  
 11 1 1  
 1 1 1  
 2 2 2 2

003-12 17540V TEMP CONTROL AMP OUT  
 003-24 17540V TEMP CTL AMP OUT  
 005-01 17540V TEMP CONTROL AMP OUT

FFF FFFFF  
 222 22222  
 11  
 2

E

003-12 17580V AZH RESOLVER SIG  
 003-24 17580V AZIMUTH RESOLVER SIG  
 003-24 17580V AZIMUTH RESOLVER SIG

FFF FFFFF FFFF FF FFF FF  
 111 11111 111 1 111  
 11 1 1  
 1 1 1

REPORT NO. AE60-0653

SECTION 9

GENERAL DYNAMICS | ASTRONAUTICS

26 SEPTEMBER 1962

OSTF 2 REC ASSIGNMNT 26 SEP 62

AE60-0653

123 123456 1234 123456 1 12345

012

004-04	17580V	AZM RESOLVER SIGNAL	1	1	1	1
003-01	17580V	AZIMUTH RESOLVER SIGNAL	2	2	2 2	
	17510W	ELAPSED TIME	FFF FFFFF	FFFF	FF FFF	FF
003-12	17510W	ELAPSED TIME	111 11111	111 1 111		
003-24	17510W	ELAPSED TIME	11	1 1		1
004-04	17510W	ELAPSED TIME	1	1	1	1
005-01	17510W	ELAPSED TIME	2	2	2 2	
	17521X	VERN ENGINE COF SIG	FFF FFFFF	FFFF	FF FFF	FF
003-12	17521X	VERNIER ENG CUTOFF SIG	111 11111	111 1 111		
003-24	17521X	VERNIER ENG CUTOFF SIG	11	1 1		1
004-04	17521X	VERN ENG CUTOFF SIGNAL	1	1	1	1
	17522X	S ENGINE COF SIG	FFF FFFFF	FFFF	FF FFF	FF
003-12	17522X	SUS ENG CUTOFF SIG	111 11111	111 1 111		
003-24	17522X	SUS ENG CUTOFF SIG	11	1 1		1
004-04	17522X	SUS ENG CUTOFF SIGNAL	1	1	1	1
	17527X	PRE-ARM RELAY CLSD	FFF FFFFF	FFFF	FF FFF	FF
003-12	17527X	PRE-ARM RELAY CLSD	111 11111	111 1 111		
003-24	17527X	PRE-ARM RELAY CLSD	11	1 1		1
004-04	17527X	PRE-ARM RELAY CLSD	1	1	1	1
	17537X	ELEVATION WARNING	RRR RRRRR	RRR R RRR		R
003-12	17537X	ELEVATION WARNING	111 11111	111 1 111		
003-24	17537X	ELEVATION WARNING	11	1 1		1
005-01	17537X	ELEVATION WARNING	2	2	2 2	
	17570X	STAGING SIGNAL	FFF FFFFF	FFFF	FF FFF	FF
003-12	17570X	STAGING SIGNAL	111 11111	111 1 111		
003-24	17570X	STAGING SIGNAL	11	1 1		1
004-04	17570X	STAGING SIGNAL	1	1	1	1
	17611X	START COUNTDOWN	RRR RRRRR	RRR R RRR		R
003-12	17611X	START COUNTDOWN	111 11111	111 1 111		
003-24	17611X	START COUNTDOWN	11	1 1		1
005-01	17611X	START COUNTDOWN	2	2	2 2	
	17612X	ST FINE ALN-TRG MODE	RRR RRRRR	RRR R RRR		R
003-12	17612X	START FINE ALNMT-TRIG MODE	111 11111	111 1 111		
003-24	17612X	START FINE ALNMT-TRIG MODE	11	1 1		1
005-01	17612X	START FINE ALNMT-TRIG MODE	2	2	2 2	
	17613X	Z AXIS VERT-FINE ALN	RRR RRRRR	RRR R RRR		R
003-12	17613X	Z AXIS VERT-FINE ALNMT	111 11111	111 1 111		
003-24	17613X	Z AXIS VERT-FINE ALNMT	11	1 1		1
005-01	17613X	Z AXIS VERT-FINE ALNMT	2	2	2 2	
	17614X	FINE ALNMT COMPLETE	RRR RRRRR	RRR R RRR		R
003-12	17614X	FINE ALNMT COMPLETE	111 11111	111 1 111		
003-24	17614X	FINE ALNMT COMPLETE	11	1 1		1
005-01	17614X	FINE ALNMT COMPLETE	2	2	2 2	
	17615X	COMPUTER TEST COMP	RRR RRRRR	RRR R RRR		R
003-12	17615X	COMPUTER TEST COMPLETE	111 11111	111 1 111		
003-24	17615X	COMPUTER TEST COMPLETE	11	1 1		1
005-01	17615X	COMPUTER TEST COMPLETE	2	2	2 2	
	17616X	START X ACCEL OFFSET	RRR RRRRR	RRR R RRR		R

GENERAL DYNAMICS | ASTRONAUTICS

26 SEPTEMBER 1962

OSTF 2 REC ASSIGNMNT 26 SEP 62 AE60-0653

123 123456 1234 123456 1 12345

013

003-12	17616X	ST X ACCELEROMETER OFFSET	111	11111	111	1	111	
003-24	17616X	ST X ACCELEROMETER OFFSET		11			1	1
005-01	17616X	ST X ACCELEROMETER OFFSET	2		2		2	2
	17617X	ACCEL TEST COMPLETE	RRR	RRRRRR	RRR	R	RRR	R
003-12	17617X	ACCELEROMETER TEST COMPL	111	11111	111	1	111	
003-24	17617X	ACCELEROMETER TEST COMPL		11			1	1
005-01	17617X	ACCELEROMETER TEST COMPLETE	2		2		2	2
	17618X	IGS READY	RRR	RRRRRR	RRR	R	RRR	R
003-12	17618X	IGS READY	111	11111	111	1	111	
003-24	17618X	IGS READY		11			1	1
005-01	17618X	IGS READY	2		2		2	2
	17619X	GO INERTIAL COMMAND	RRR	RRRRRR	RRR	R	RRR	R
003-12	17619X	GO INERTIAL COMMAND	111	11111	111	1	111	
003-24	17619X	GO INERTIAL COMMAND		11			1	1
005-01	17619X	GO INERTIAL COMMAND	2		2		2	2
	17620X	MGS INERTIAL	RRR	RRRRRR	RRR	R	RRR	R
003-12	17620X	MGS INERTIAL	111	11111	111	1	111	
003-24	17620X	MGS INERTIAL		11			1	1
005-01	17620X	MGS INERTIAL	2		2		2	2
	17621X	ZERO G ACC COMPLETE	RRR	RRRRRR	RRR	R	RRR	R
003-12	17621X	ZERO Z ACCELEROMETER COMPL	111	11111	111	1	111	
003-24	17621X	ZERO Z ACCELEROMETER COMPL		11			1	1
005-01	17621X	ZERO Z ACCELEROMETER COMPL	2		2		2	2
	17622X	SCALE X PLUS 1G	RRR	RRRRRR	RRR	R	RRR	R
003-12	17622X	SCALE X PLUS 1G	111	11111	111	1	111	
003-24	17622X	SCALE X PLUS 1G		11			1	1
005-01	17622X	SCALE X PLUS 1G	2		2		2	2
	17623X	SCALE X MINUS 1G	RRR	RRRRRR	RRR	R	RRR	R
003-12	17623X	SCALE X MINUS 1G	111	11111	111	1	111	
003-24	17623X	SCALE X MINUS 1G		11			1	1
005-01	17623X	SCALE X MINUS 1G	2		2		2	2
	17624X	START ZERO X ACCELEROMETER	RRR	RRRRRR	RRR	R	RRR	R
003-12	17624X	START ZERO X ACCELEROMETER	111	11111	111	1	111	
003-24	17624X	ST ZERO X ACCELEROMETER		11			1	1
005-01	17624X	START ZERO X ACCELEROMETER	2		2		2	2
	17625X	RETURN TO READY REG	RRR	RRRRRR	RRR	R	RRR	R
003-12	17625X	RETURN TO READY REG	111	11111	111	1	111	
003-24	17625X	RETURN TO READY REG		11			1	1
005-01	17625X	RETURN TO READY REG	2		2		2	2
	17626X	RETURN TO READY COMP	RRR	RRRRRR	RRR	R	RRR	R
003-12	17626X	RETURN TO READY COMPLETE	111	11111	111	1	111	
003-24	17626X	RETURN TO READY COMPLETE		11			1	1
005-01	17626X	RETURN TO READY COMP	2		2		2	2
	17627X	GO ON VERT MEMORY	RRR	RRRRRR	RRR	R	RRR	R
003-12	17627X	GO ON VERT MEMORY	111	11111	111	1	111	
003-24	17627X	GO ON VERT MEMORY		11			1	1
005-01	17627X	GO ON VERT MEMORY	2		2		2	2
	17628X	GO ON AZIMUTH MEMORY	RRR	RRRRRR	RRR	R	RRR	R

REPORT NO. AE60-0653

SECTION 9

GENERAL DYNAMICS | ASTRONAUTICS

26 SEPTEMBER 1962

OSTF	2	REC	ASSIGNMNT	26	SEP	62	AE60-0653	123	123456	1234	123456	1	12345	014
003-12	17628X	GO ON	AZIMUTH	MEMORY	111	11111	111	1	111					
005-01	17628X	GO ON	AZIMUTH	MEMORY	2		2	2	2					
003-12	17630X	GYRO A	IN	BAND	RRR	RRRRRR	RRR	R	RRR					
005-01	17630X	GYRO A	IN	BAND	111	11111	111	1	111					
003-12	17631X	GYRO B	IN	BAND	RRR	RRRRRR	RRR	R	RRR					
005-01	17631X	GYRO B	IN	BAND	111	11111	111	1	111					
034-00	L7013P	FLAME	DEFLECT	AMB PRESS 1						F				E
038-12	L7013P	FLAME	DEFLECT	AMB PRESS 1						1				
034-00	L7014P	FLAME	DEFLECT	AMB PRESS 2						F				E
038-12	L7014P	FLAME	DEFLECT	AMB PRESS 2						1				
034-00	L7015P	FLAME	DEFLECT	AMB PRESS 3						F				E
038-12	L7015P	FLAME	DEFLECT	AMB PRESS 3						1				
034-00	L7016P	FLAME	DEFLECT	AMB PRESS 4						F				E
038-12	L7016P	FLAME	DEFLECT	AMB PRESS 4						1				
034-00	L7601P	HT	SHIELD	OUTSIDE PRESS 1						F				E
037-01	L7601P	HT	SHIELD	OUTSIDE PRESS 1						1				
038-12	L7601P	HT	SHIELD	OUTSIDE PRESS 1						1				
034-00	L7602P	HT	SHIELD	OUTSIDE PRESS 2						F				E
037-01	L7602P	HT	SHIELD	OUTSIDE PRESS 2						1				
038-12	L7602P	HT	SHIELD	OUTSIDE PRESS 2						1				
034-00	M7604N	FWD	LIFT-OFF	CAMERA				L		L				
037-01	M7604N	FWD	LIFT-OFF	CAMERA				1		1				
037-05	M7604N	FWD	LIFT-OFF	CAMERA				1		1				
034-00	M7605N	AFT	LIFT-OFF	CAMERA						L				
037-01	M7605N	AFT	LIFT-OFF	CAMERA						1				
037-05	M7605N	AFT	LIFT-OFF	CAMERA						1				
001-19	N7829A	SILO-L/P	ACCEL #1					00						E
	N7829A	L/P	ACCELN 1					11						
001-19	N7830A	SILO-L/P	ACCEL #2					00						E
	N7830A	L/P	ACCELN 2					11						
001-19	N7831A	SILO-L/P	ACCEL #3					00						E
	N7831A	L/P	ACCELN 3					11						
	N7832A	SILO-L/P	ACCEL #4					00						E

GENERAL DYNAMICS | ASTRONAUTICS

26 SEPTEMBER 1962

OSTF 2 REC ASSIGNMNT	26 SEP 62	AE60-0653	123	123456	1234	123456	1	12345	019
001-19	N7832A	L/P ACCELN 4						11	
001-19	N7833A	SILO-L/P ACCEL #5						00	E
	N7833A	L/P ACCELN 5						11	
001-19	N7834A	SILO-L/P ACCEL #6						00	E
	N7834A	L/P ACCELN 6						11	
001-19	N7835A	CRIB ACCELERATION #7						00	E
	N7835A	CRIB ACCELN 7						11	
001-19	N7836A	CRIB ACCELERATION #8						00	E
	N7836A	CRIB ACCELN 8						11	
001-19	N7837A	CRIB ACCELERATION #9						00	E
	N7837A	CRIB ACCELN 9						11	
001-19	N7838A	CRIB ACCELERATION #1						00	E
	N7838A	CRIB ACCELN 10						11	
001-19	N7839A	CRIB ACCELERATION #1						00	E
	N7839A	CRIB ACCELN 11						11	
001-19	N7840A	CRIB ACCELERATION #1						00	E
	N7840A	CRIB ACCELN 12						11	
001-06	N7842A	SILO L/P ACCELN 21							E
	N7842A	SILO L/P ACCELN 21							
001-06	N7843A	SILO L/P ACCELN 22							E
	N7843A	SILO L/P ACCELN 22							
001-06	N7844A	SILO L/P ACCELN 23							E
	N7844A	SILO L/P ACCELN 23							
001-06	N7845A	SILO L/P ACCELN 24							E
	N7845A	SILO L/P ACCELN 24							
001-06	N7846A	SILO L/P ACCELN X1							E
	N7846A	SILO L/P ACCELN X1							
001-06	N7847A	SILO L/P ACCELN X2							E
	N7847A	SILO L/P ACCELN X2							
001-06	N7848A	SILO L/P ACCELN X3							E
	N7848A	SILO L/P ACCELN X3							
001-06	N7849A	SILO L/P ACCELN X4							E
	N7849A	SILO L/P ACCELN X4							
001-06	N7803B	L/P DRIVE MOTOR SPEED			888	8 888		8 88	E
024-	N7803B	L/P DRIVE MOTOR SPEED			111	1 111		1 11	
099-00	N7803B	L/P DRIVE MOTOR SPEED			111	1 111		1 11	

REPORT NO. AE60-0653

SECTION 9

28 SEPTEMBER 1962

GENERAL DYNAMICS | ASTRONAUTICS

OSTF 2 REC ASSIGNMNT 26 SEP 62		AE60-0653	123	123456	1234	123456	1	12345	016
001-06	N7908D	L/P DISPLACEMENT		555	5	555	5	55	E
024-	N7908D	L/P DISPLACEMENT		111	1	111	1	11	
099-00	N7908D	L/P DISPLACEMENT		111	1	111	1	11	
001-06	N7804F	DRIVE MOTOR TORQUE		555	5	555	5	55	E
024-	N7804F	DRIVE MOTOR TORQUE		111	1	111	1	11	
099-00	N7804F	DRIVE MOTOR TORQUE		111	1	111	1	11	
003-01	N7046J	B1 INLET AIR REL HUM	PP						
	N7046J	B1 POD INLET AIR HUM	11						
001-05	N7685J	SILO UPPER RH	P	PPP					
	N7685J	SILO UPPER RH HUM	1	111					
001-05	N7687J	IGLOO RH							
	N7687J	IGLOO RH HUM							
001-05	N7800J	MSL COMPARTMENT RH	P	PPP					
	N7800J	MSL COMPT RH HUM	1	111					
001-05	N7801J	L/C EQUIPMENT RH							
009-03	N7801J	L/C EQUIP RH HUM							
	N7801J	L/C EQUIPMENT RH HUM							
001-05	N7802J	SILO LOWER RH	P	PPP					
009-03	N7802J	SILO LOWER RH HUM	1	111					
	N7802J	SILO LOWER RH HUM							
001-06	N7980L	7 IN. MOTION UP FAST							E
	N7980L	7 IN. MOTION UP FAST							
001-06	N7981L	7 IN. MOTION UP SLOW							E
	N7981L	7 IN. MOTION UP SLOW							
001-06	N7982L	7 IN. MOTION DOWN SLOW							E
	N7982L	7 IN. MOTION DOWN SLOW							
099-00	N7747N	TV CAMERA 1			1	111	1	11	
	N7747N	TV CAMERA 1							
099-00	N7748N	TV CAMERA 2			1	111	1	11	
	N7748N	TV CAMERA 2							
099-00	N7749N	TV CAMERA 3			1	111	1	11	
	N7749N	TV CAMERA 3							
099-00	N7750N	TV CAMERA 4			1	111	1	11	
	N7750N	TV CAMERA 4							
099-00	N7751N	TV CAMERA 5			1	111	1	11	
	N7751N	TV CAMERA 5							
	N7752N	TV CAMERA 6							

GENERAL DYNAMICS | ASTRONAUTICS

26 SEPTEMBER 1962

OSTF 2 REC ASSIGNMNT	26 SEP 62	AE60-0653	123	123456	1234	123456	1	12345	017
099-00	N7752N	TV CAMERA 6					1	111	1 11
099-00	N7753N	TV CAMERA 7					1	111	1 11
009-01	N7754N	LAUNCH CONSOLE RH	LLLLL	LLL	LLLLL	LLLL			
009-02	N7754N	LAUNCH CONSOLE RH CAMERA	11111	111	11111	1111			
009-01	N7755N	LAUNCH CONSOLE LH	LLLLL	LLL	LLLLL	LLLL			
009-02	N7755N	LAUNCH CONSOLE LH CAMERA	11111	111	11111	1111			
007-01	N7035P	TANK DIFFERENTIAL P				VVV	V	VVV	
	N7035P	DIFFERENTIAL PRESS/GAGE/				111	1	111	
040-03	N7230P	CRIB AMB PRESS 1				F	F		E
	N7230P	CRIB AMB PRESS 1				1	1		
040-03	N7231P	CRIB AMB PRESS 2				F	F		E
	N7231P	CRIB AMB PRESS 2				1	1		
040-03	N7232P	CRIB AMB PRESS 3				F	F		E
	N7232P	CRIB AMB PRESS 3				1	1		
040-03	N7233P	CRIB AMB PRESS 4				F	F		F
	N7233P	CRIB AMB PRESS 4				1	1		
040-03	N7234P	CRIB AMB PRESS 5				F	F		E
	N7234P	CRIB AMB PRESS 5				1	1		
040-03	N7235P	CRIB AMB PRESS 6				F	F		E
	N7235P	CRIB AMB PRESS 6				1	1		
003-01	N7050R	B2 POD AIR FLOW QUAD 2	00		0			000	E
003-12	N7050R	B2 POD AIR FLOW QUAD 2	11					111	
024-	N7050R	B2 POD AIR FLOW QUAD 2			1			111	
003-12	N7155R	B2 POD AIR FLOW QUAD 3			F			000	E
024-	N7155R	B2 POD AIR FLOW QUAD 3			1			111	
001-03	N7654R	CO2 VENT	0						E
	N7654R	COX VENT GAS FLOWRATE	1						
001-03	N7655R	EF 40, 41 EXHAUST							E
	N7655R	XHST FAN 40,41 XHST FL/RT							
001-03	N7656R	XHST FAN 30 XHST FL/RT							E
	N7656R	XHST FAN 30 XHST FL/RT							
001-06	N7962S	LOAD CELL QUAD 1 L/P							E
	N7962S	LOAD CELL QUAD 1 L/P							
	N7963S	LOAD CELL QUAD 2 L/P							E



REPORT NO. AE60-0653

SECTION 9

26 SEPTEMBER 1962

GENERAL DYNAMICS | ASTRONAUTICS

05°F 2 REC ASSIGNMNT 26 SEP 62	AE60-0653	123	123456	1234	123456	1	12345	018
001-06	N79635	LOAD CELL QUAD 2 L/P						
001-06	N79645	LOAD CELL QUAD 3 L/P						E
001-06	N79645	LOAD CELL QUAD 3 L/P						
001-06	N79655	LOAD CELL QUAD 4 L/P						E
001-06	N79655	LOAD CELL QUAD 4 L/P						
003-01	N7032T	GUIDANCE POD EXHAUST	5					E
003-01	N7032T	GUIDANCE POD XMST TEMP	2					
003-12	N7048T	82 AIR INLET TEMP QUAD 2		0		000		E
024-	N7048T	82 AIR INLET TEMP QUAD 2		1		111		
024-	N7048T	82 AIR INLET TEMP QUAD 2				111		
003-01	N7154T	81 AIR AT RH MEAS	55					E
003-01	N7154T	81 POD AIR INLET TEMP	11					
003-12	N7156T	82 AIR INLET TEMP QUAD 3		0		000		E
024-	N7156T	82 AIR INLET TEMP QUAD 3		1		111		
024-	N7156T	82 AIR INLET TEMP QUAD 3				111		
001-03	N7159T	VENT SYS GOX @ ELBO	0					E
001-03	N7159T	VENT GOX TEMP @ ELBOW	1					
001-03	N7160T	VNT SYS GOX @ FAN IN	0					E
001-03	N7160T	VENT GOX TEMP @ FAN INL	1					
001-03	N7161T	VNT SYS GOX @ GAT IN	0					E
001-03	N7161T	VENT GOX TEMP @ GATE INL	1					
001-05	N7579T	AIR DUCT IN		T		TTT		
001-05	N7579T	AIR DUCT INLET TEMP		1		111		
001-05	N7580T	AIR DUCT OUT		T		TTT		
001-05	N7580T	AIR DUCT OUTLET TEMP		1		111		
001-05	N7581T	SILO Q II LVL-1				TTT		
001-05	N7581T	SILO QUAD 2 LVL 1 TEMP				111		
001-05	N7582T	SILO Q II LVL-2		T		TTT		
001-05	N7582T	SILO QUAD 2 LVL 2 TEMP		1		111		
001-05	N7583T	SILO Q II LVL-3				TTT		
001-05	N7583T	SILO QUAD 2 LVL 3 TEMP				111		
001-05	N7584T	SILO Q II LVL-4		T		TTT		
001-05	N7584T	SILO QUAD 2 LVL 4 TEMP		1		111		
001-05	N7585T	SILO Q II LVL-5				TTT		
001-05	N7585T	SILO QUAD 2 LVL 5 TEMP				111		
001-05	N7586T	SILO Q II LVL-6				TTT		
001-05	N7586T	SILO QUAD 2 LVL 6 TEMP				111		

GENERAL DYNAMICS | ASTRONAUTICS

26 SEPTEMBER 1962

DSTF 2 REC ASSIGNMNT 26 SEP 62 AE60-0653 123 123456 1274 123456 1 12345 019

001-05	N7587T	SILO Q II LVL-7		YYY	
	N7587T	SILO QUAD 2 LVL 7 TEMP		111	
001-05	N7588T	SILO Q II LVL-8	T	YYY	
	N7588T	SILO QUAD 2 LVL 8 TEMP	1	111	
001-05	N7589T	HT REC WATER IN	F	000	E
	N7589T	HT RECOVERY H2O IN TEMP	1	111	
001-05	N7590T	ELEC BLR WATER OUT	F	000	E
	N7590T	ELEC BOILER H2O OUT TEMP	1	111	
001-05	N7597T	MSL COMP LVL-1	T	YYY	
	N7597T	MSL COMPT LVL 1 TEMP	1	111	
001-05	N7598T	MSL COMP LVL-2	T	YYY	
	N7598T	MSL COMPT LVL 2 TEMP	1	111	
001-05	N7599T	MSL COMP LVL-3	T	YYY	
	N7599T	MSL COMPT LVL 3 TEMP	1	111	
001-05	N7600T	MSL COMP LVL-4	T	YYY	
	N7600T	MSL COMPT LVL 4 TEMP	1	111	
001-05	N7601T	MSL COMP LVL-5	T	YYY	
	N7601T	MSL COMPT LVL 5 TEMP	1	111	
001-05	N7602T	MSL COMP LVL-6	T	YYY	
	N7602T	MSL COMPT LVL 6 TEMP	1	111	
001-05	N7603T	MSL COMP LVL-7	T	YYY	
	N7603T	MSL COMPT LVL 7 TEMP	1	111	
001-05	N7604T	MSL COMP LVL-8	T	YYY	
	N7604T	MSL COMPT LVL 8 TEMP	1	111	
001-05	N7605T	DUST SEP AIR OUT		YYY	
	N7605T	DUST SEP AIR OUT TEMP		111	
001-05	N7606T	COOLING TOWER H2O IN			
	N7606T	COOLING TWA H2O IN TEMP			
001-05	N7607T	MSL COMP AIR SUPPLY	T	YYY	
	N7607T	MSL COMPT AIR SUPPLY TEMP	1	111	
001-05	N7620T	H2O HEAT RECLAIMER	F	000	E
	N7620T	H2O HT RECLAIMER TEMP	1	111	
001-05	N7621T	ELEC EQUIP AIR IN #1		000	
	N7621T	ELECT EQUIP AIR IN 1 TEMP		111	
009-03	N7621T	ELECT EQUIP AIR IN #1 TEMP			
001-05	N7622T	ELEC EQUIP AIR IN #2		000	
	N7622T	ELECT EQUIP AIR IN 2 TEMP		111	

SECTION 9

26 SEPTEMBER 1962

GENERAL DYNAMICS | ASTRONAUTICS

DSTF 2 REC ASSIGNMNT 26 SEP 62

AE60-0653

123 123456 1234 123456 1 12345

020

009-03	N7622T	ELCT EQUIP AIR IN #2 TEMP					
001-05	N7623T	ELEC EQUIP AIR IN #3			PPP		
009-03	N7623T	ELCT EQUIP AIR IN #3 TEMP			111		
001-05	N7624T	ELEC EQUIP AIR IN #4			PPP		
009-03	N7624T	ELCT EQUIP AIR IN #4 TEMP			111		
001-05	N7625T	ELEC EQUIP AIR IN #5			PPP		
009-03	N7625T	ELCT EQUIP AIR IN #5 TEMP			111		
001-05	N7626T	ELEC EQUIP AIR OUT #1			PPP		
009-03	N7626T	ELCT EQUIP AIR OUT #1 TEMP			111		
001-05	N7627T	ELEC EQUIP AIR OUT #2			PPP		
009-03	N7627T	ELCT EQUIP AIR OUT #2 TEMP			111		
001-05	N7628T	ELEC EQUIP AIR OUT #3			PPP		
009-03	N7628T	ELCT EQUIP AIR OUT #3 TEMP			111		
001-05	N7629T	ELEC EQUIP AIR OUT #4			PPP		
009-03	N7629T	ELCT EQUIP AIR OUT #4 TEMP			111		
001-05	N7630T	ELEC EQUIP AIR OUT #5			PPP		
009-03	N7630T	ELCT EQUIP AIR OUT #5 TEMP			111		
001-05	N7641T	POD AIR COND H2O IN	TY	F	DDC		E
003-01	N7641T	POD AIR COND H2O IN TEMP	11	1	111		
001-05	N7642T	POD AIR COND H2O OUT	TY	F	DDC		E
003-01	N7642T	POD AIR COND H2O OUT TEMP	11	1	111		
001-05	N7643T	CC 10 COLD H2O OUT					
	N7643T	COOL COIL 10 H2O OUT TEMP					
001-05	N7644T	CC 40 COLD H2O OUT		T	TTT		
	N7644T	COOL COIL 40 H2O OUT TEMP		1	111		
001-05	N7645T	CC 41 COLD H2O OUT		T			
	N7645T	COOL COIL 41 H2O OUT TEMP		1			
001-05	N7646T	HC 40 HOT H2O IN		T	TTT		
	N7646T	HEAT COIL 40 H2O IN TEMP		1	111		
	N7647T	HC 40 HOT H2O OUT		T	TTT		

GENERAL DYNAMICS | ASTRONAUTICS

26 SEPTEMBER 1962

OSTF 2 REC ASSIGNMNT 26 SEP 62 AE60-0653 123 123456 1234 123456 1 12345 021

001-05	N7647T	HEAT COIL 40 H2O OUT TEMP			1	111		
001-05	N7645T N7649T	WCU 50 H2O OUT WCU 50 H2O OUT TEMP			T 1	TTT 111		
001-05	N7650T N7650T	WCU 50, 51 H2O IN WCU 50,51 H2O IN TEMP			T 1	TTT 111		
001-05	N7651T N7651T	LCC COLD H2O OUT LCC COLD H2O OUT TEMP						
001-05	N7746T N7746T	COOLING TWR H2O OUT COOLING TWR H2O OUT TEMP						
001-05 009-03	N7807T N7807T N7807T	L/C EQUIP AIR RETURN L/C EQUIP AIR RETURN TEMP L/C EQUIP AIR RETURN TEMP						
034-00	N1870V N1870V	TRL WIRE NOISE 1 TWU NOISE 1				F 1	F 1	
006-01	N7002X N7002X	SELECT A BUTTON SELECT A BUTTON	RRRRR 11111	RRR 111	R 1	RRR 111	R RR 1 11	
006-01	N7003X N7003X	SELECT B BUTTON SELECT B BUTTON	RRRRR 11111	RRR 111	R 1	RRR 111	R RR 1 11	
010-06	N7024X N7024X	START BUTTON START C/D BUTTON	RRRRR 11111	RRR 111	R 1	RRR 111	R RR 1 11	
007-08 010-06 024-	N7028X N7028X N7028X N7028X	COMMIT START BUTTON COMMIT START BUTTON COMMIT START BUTTON COMMIT START BLTTON	RRRRR 2 222 11111	RRR 111 111	R 1 1	RRR 111 111	R RR 1 11 1 11 1 1	
006-01	N7030X N7030X	ALARM RESET SWITCH ALARM RESET SWITCH	RRRRR 11111	RRR 111	R 1	RRR 111	R RR 1 11	
006-01	N7042X N7042X	START ABORT SWITCH START ABORT SWITCH	RRRRR 11111	RRR 111	R 1	RRR 111	R RR 1 11	
001-07	N7046X N7046X	DOORS OPEN DOORS OPEN			RRR 111	R RRR 1 111	R RR 1 11	
001-07	N7047X N7047X	DOORS CLOSED DOORS CLOSED			RRR 111	R RRR 1 111	R RR 1 11	
001-06 003-02	N7500X N7500X N7500X	ZONE CHECK LS CLSD ZONE CHECK LS CLSD ZONE CHECK LS CLSD			RRR 111 111	R RRR 1 111	R RR 1 11 1 11	
001-06	N7501X N7501X	1000 IN. LS CLSD 1000 IN. LS CLSD			RRR 111	R RRR 1 111	R RR 1 11	
	N7502X	HI SPEED DECELN SW CLSD			RRR	R RRR	R RR	

REPORT NO. AE60-0653

SECTION 9

GENERAL DYNAMICS | ASTRONAUTICS

26 SEPTEMBER 1962

OSTF 2 REC ASSIGNMNT 26 SEP 62 AE60-0653

123 123/56 1236 123456 1 12345

022

001-06	N7502X	HI SPEED DECELN SW CLSD	111	1	111	1	11
	N7503X	UPR OVERSPEED ZONE LS CLSD	RRR	R	RRR	R	RR
001-06	N7503X	UPR OVERSPEED ZONE LS CLSD	111	1	111	1	11
	N7504X	OVERSPEED SENSOR ENERGIZED	RRR	R	RRR	R	RR
001-06	N7504X	OVERSPEED SENSOR ENERGIZED	111	1	111	1	11
	N7505X	B/O VLV CLSD	RRR	R	RRR	R	RR
003-02	N7505X	B/O VLV CLSD	111	1	111	1	11
	N7506X	DP NOT LOW	RRR	R	RRR	R	RR
003-02	N7506X	DP NOT LOW	111	1	111	1	11
	N7507X	MSL LIFT COMMIT START	RRR	R	RRR	R	RR
009-02	N7507X	MSL LIFT COMMIT START	111	1	111	1	11
	N7508X	AUTOMATIC PRESSN	RRR	R	RRR	R	RR
009-02	N7508X	AUTOMATIC PRESSN	111	1	111	1	11
	N7509X	READY FOR COMMIT	RRR	R	RRR	R	RR
006-02	N7509X	READY FOR COMMIT	111	1	111	1	11
	N7510X	PWR TO INTERNAL	RRR	R	RRR	R	RR
007-03	N7510X	PWR TO INTERNAL	111	1	111	1	11
	N7511X	PWR TO EXTERNAL	RRR	R	RRR	R	RR
007-03	N7511X	PWR TO EXTERNAL	111	1	111	1	11
	N7512X	COMMIT LOCKUP	RRR	R	RRR	R	RR
009-02	N7512X	COMMIT LOCKUP	111	1	111	1	11
	N7513X	MSL LIFT DOWN & LOCKED	RRR	R	RRR	R	RR
001-06	N7513X	MSL LIFT DOWN & LOCKED	111	1	111	1	11
006-04	N7513X	MSL LIFT DOWN & LOCKED	111	1			
	N7514X	AUTOPILOT ON AMBER	RRR	R	RRR	R	RR
006-02	N7514X	AUTOPILOT ON AMBER	111	1	111	1	11
007-02	N7514X	AUTOPILOT ON AMBER	111	1	111	1	11
	N7515X	LWR FUEL TANK PRESS	RRR	R	RRR	R	RR
003-02	N7515X	LWR FUEL TANK PRESS	111	1	111	1	11
	N7516X	RAISE FUEL TK PRESS	RRR	R	RRR	R	RR
003-02	N7516X	RAISE FUEL TK PRESS	111	1	111	1	11
	N7517X	GUID FAIL MARGINAL	RRR	R	RRR		
003-12	N7517X	GUID FAIL MARGINAL	111	1	111		
	N7518X	AUTOPILOT FAIL MARGINAL	RRR	R	RRR	R	RR
007-02	N7518X	AUTOPILOT FAIL MARGINAL	111	1	111	1	11
	N7519X	FLT PROGRAMMER SAFE	RRR	R	RRR	R	RR
007-02	N7519X	FLT PROGRAMMER SAFE	111	1	111	1	11

GENERAL DYNAMICS | ASTRONAUTICS

26 SEPTEMBER 1962

OSTF 2 REC ASSIGNMNT 26 SEP 62 AE60-0653

123 123456 1234 123456 1 12345

023

003-05	N7520X INSTR AIR BELOW 50 N7520X INSTR AIR BELOW 50	RRR R RRR 111 1 111	R RR 1 11
007-02	N7521X AUTOPILOT FAIL N7521X AUTOPILOT FAIL	RRR R RRR 111 1 111	R RR 1 11
003-03	N7522X HE VLV 14 OPEN N7522X HE VLV 14 OPEN	RRR R RRR 111 1 111	R RR 1 11
007-03	N7523X DC AT MSL N7523X DC AT MSL	RRR R RRR 111 1 111	R RR 1 11
003-14	N7524X R/V BAT TEMP N7524X R/V 9AT TEMP	RRR R RRR 111 1 111	R RR 1 11
003-04	N7525X VENT HE BTL N7525X VENT HE BTL	RRR R RRR 111 1 111	R RR 1 11
003-06	N7526X HYD PRESS N7526X HYD PRESS	RRR R RRR 111 1 111	R RR 1 11
003-12	N7527X GUIDANCE FAIL N7527X GUIDANCE STANDBY	RRR R RRR 111 1 111	
001-06 009-02	N7528X MSL LIFT UP & LOCKED N7528X MSL LIFT UP & LOCKED N7528X MSL LIFT UP & LOCKED	RRR R RRR 111 1 111 111 1 111	R RR 1 11 1 11
003-02 006-02	N7529X PNEU INTERNAL GREEN N7529X PNEU INTERNAL GREEN N7529X PNEU INTERNAL GREEN	RRR R RRR 111 1 111 111 1 111	R RR 1 11 1 11
003-02 006-02	N7530X PNEU PH 2 AMBER N7530X PNEU PH 2 AMBER N7530X PNEU PH 2 AMBER	RRR R RRR 111 1 111 111 1 111	R RR 1 11 1 11
003-02 003-03 003-04 006-02	N7531X HE LOAD AMBER N7531X HE LOAD AMBER N7531X HE LOAD AMBER N7531X HE LOAD AMBER	RRR R RRR 111 1 111 111 1 111 111 1 111	R RR 1 11 1 11 1 11
007-02	N7532X PROGRAMMER ARMED AMBER N7532X PROGRAMMER ARMED AMBER	RRR R RRR 111 1 111	R RR 1 11
006-02	N7533X ENGINE START AMBER N7533X ENGINE START AMBER	RRR R RRR 111 1 111	R RR 1 11
003-12	N7534X GUIDANCE COMMIT N7534X GUIDANCE COMMIT	RRR R RRR 111 1 111	
006-02 024-	N7535X PWR INTERNAL GREEN N7535X PWR INTERNAL GREEN N7535X PWR INTERNAL GREEN	RRR R RRR 111 1 111 1 1	R RR 1 11 1 1
	N7536X AUTOPILOT TEST AMBER	RRR R RRR	R RR

26 SEPTEMBER 1962

OSTF 2 REC ASSIGNMNT 26 SEP 62 AE60-0653

123 123456 1234 123456 1 12345

024

007-02	N7536X	AUTOPILOT TEST AMBER	111	1	111	1	11	
	N7537X	GUID READY AMBER	RRR	R	RRR			
003-12	N7537X	GUID READY AMBER	111	1	111			
	N7984X	MISSILE AWAY	R	R	R	R	R	
024-	N7984X	MISSILE AWAY		1	1		1	1
034-00	N7984X	MISSILE AWAY	1		1			
	N7985X	MISSILE ON STAND	R		R			
034-00	N7985X	MISSILE ON STAND	1		1			
	P7137B	B1 PUMP SPEED LO						E
010-10	P7137B	B1 PUMP SPEED LO						
	P7138B	B2 PUMP SPEED LO						E
010-10	P7138B	B2 PUMP SPEED LO						
	P1529D	SUS MAIN LOX VLV POS	F					E
034-00	P1529D	SUS MAIN LOX VLV POS	1					
037-03	P1529D	S MAIN LOX VLV POS	1					
038-08	P1529D	SUS MAIN LOX VLV POS	1					
	P1830D	SUS FUEL VLV POS	F					E
034-00	P1830D	SUS FUEL VLV POS	1					
037-03	P1830D	SUS FUEL VLV POS	1					
038-08	P1830D	SUS FUEL VLV POS	1					
	P1206G	SUS ENG LOX DOME	F		F			E
034-00	P1206G	SUS ENG LOX DOME	1		1			
037-03	P1206G	SUS ENG LOX DOME	1		1			
	P1208G	B1 ENG LOX DOME	F		F			E
034-00	P1208G	B1 ENG LOX DOME	1		1			
037-03	P1208G	B1 ENG LOX DOME	1		1			
	P1209G	B2 ENG LOX DOME	F					E
034-00	P1209G	B2 ENG LOX DOME	1					
037-03	P1209G	B2 ENG LOX DOME	1					
	P1002P	B1 FUEL PUMP INLET	PPP	F	PPP	F	F	E
	P1002P	B1 FUEL PUMP INLET	SSS	S	SSS	S	S	
007-06	P1002P	B1 FUEL PUMP INLET PRESS	111	1	111			
074-	P1002P	B1 FUEL PUMP INLET PRESS		1	1		1	1
034-00	P1002P	B1 FUEL PUMP INLET PRESS	1		1			
037-03	P1002P	B1 FUEL PUMP INLET PRESS	1		1			
	P1006P	SUS THR CHAMBER PRESS	D		D			E
	P1006P	SUS THR CHAMBER PRESS	F		F			
034-00	P1006P	SUS THR CHAMBER PRESS	1		1			
037-03	P1006P	SUS THR CHAMBER PRESS	1		1			
	P1038P	B2 FUEL PUMP DISCH	SSS	S	SSS	S	S	E
	P1038P	B2 FUEL PUMP DISCH	PPP	F	PPP	F	F	
007-06	P1038P	B2 FUEL PUMP DISCH PRESS	111	1	111			
024-	P1038P	B2 FUEL PUMP DISCH PRESS		1	1		1	1
034-00	P1038P	B2 FUEL PUMP DISCH PRESS	1		1			
037-03	P1038P	B2 FUEL PUMP DISCH PRESS	1		1			

26 SEPTEMBER 1962

OSTF 2 REC ASSIGNMNT 26 SEP 62

AE60-0653

123 123456 1234 123456 1 12345

075

	P1039P	B1 FUEL PUMP DISCH	FFF	F	FFF	F	F	E
007-06	P1039P	B1 FUEL PUMP DISCH PRESS	111	1	111			
024-	P1039P	B1 FUEL PUMP DISCH PRESS		1	1		1 1	
034-00	P1039P	B1 FUEL PUMP DISCH PRESS		1		1		
037-03	P1039P	B1 FUEL PUMP DISCH PRESS		1		1		
	P1056P	SUS LOX PUMP INLET PRESS	F	F	F	F	F	E
024-	P1056P	SUS LOX PUMP INLET PRESS		1	1		1 1	
034-00	P1056P	SUS LOX PUMP INLET PRESS		1		1		
037-03	P1056P	SUS LOX PUMP INLET PRESS		1		1		
	P1059P	B2 THR CHAMBER PRESS	D		D			E
	P1059P	B2 THR CHAMBER PRESS	F		F			
034-00	P1059P	B2 THR CHAMBER PRESS		1		1		
037-03	P1059P	B2 THR CHAMBER PRESS		1		1		
	P1060P	B1 THR CHAMBER PRESS	D		D			E
	P1060P	B1 THR CHAMBER PRESS	F		F			
034-00	P1060P	B1 THR CHAMBER PRESS		1		1		
037-03	P1060P	B1 THR CHAMBER PRESS		1		1		
	P1091P	B1 LOX INJ MANIFOLD PRESS	F		F			E
034-00	P1091P	B1 LOX INJ MANIFOLD PRESS		1		1		
037-03	P1091P	B1 LOX INJ MANIFOLD PRESS		1		1		
	P1092P	B2 LOX INJ MANIFOLD PRESS	F		F			E
034-00	P1092P	B2 LOX INJ MANIFOLD PRESS		1		1		
037-03	P1092P	B2 LOX INJ MANIFOLD PRESS		1		1		
	P7105P	TCU CTL MANIFOLD	FFFF					E
010-03	P7105P	TCU CTL MANIFOLD PRESS	1111					
010-07	P7105P	TCU CTL MANIFOLD PRESS	1111					
	P7106P	TCU INLET LOX PRESS	FFFF					E
010-03	P7106P	TCU LOX IN PRESS	1111					
010-07	P7106P	TCU LOX IN PRESS	1111					
	P7107P	TCU LOX FILTER IN	FFFF					E
010-03	P7107P	TCU LOX FILTER IN PRESS	1111					
010-07	P7107P	TCU LOX FILTER IN PRESS	1111					
	P7108P	LOX L/P DISC IN PRES	FFFF	FFF	F	FFF	F	E
010-03	P7108P	LOX L/P DISCON IN PRESS	1111	111	1	111	1 11	
010-06	P7108P	LOX L/P DISCON IN PRESS	1111					
010-07	P7108P	LOX L/P DISCON IN PRESS	1111					
010-08	P7108P	LOX L/P DISCON IN PRESS	1111	111				
	P7108P	LOX L/P DISC IN PRESS			1 1		1 1	
	P7135P	MAIN LOX LN DRAIN PR	FFFF					E
	P7135P	MAIN LOX LINE DRAIN PRESS	1111					
	P1155P	B1 GAS GEN COMBUSTOR PRESS	F		F			E
034-00	P1155P	B1 GAS GEN COMBUSTOR PRESS		1		1		
037-03	P1155P	B1 GAS GEN COMBUSTOR PRESS		1		1		
	P1184P	B2 GAS GEN COMBUSTOR PRESS	F		F			E
034-00	P1184P	B2 GAS GEN COMBUSTOR PRESS		1		1		
037-03	P1184P	B2 GAS GEN COMBUSTOR PRESS		1		1		



SECTION 9

GENERAL DYNAMICS | ASTRONAUTICS

26 SEPTEMBER 1962

OSTF 2 REC ASSIGNMNT 26 SLP 62	AE60-0653	123 123456 1234 123456 1 12345	026	
034-00	P1200P	ENG COMPT AMB PRESS	F	E
037-01	P1200P	ENG COMPT AMB PRESS	1	
037-01	P1200P	ENG COMPT AMB PRESS	1	
034-00	P1337P	SGG LOX INJ MANIFOLD PRESS	F	F
037-03	P1337P	SGG LOX INJ MANIFOLD PRESS	1	1
037-03	P1337P	S G G LOX INJ MANIFOLD PRESS	1	1
034-00	P1351P	SUS LUBE OIL MANIFOLD PRESS	F	F
037-03	P1351P	S LOX INJ MANIFOLD PRESS	1	1
037-03	P1351P	S LOX INJ MANIFOLD PRESS	1	1
034-00	P1463P	S GG FUEL INJ MAN PRESS	F	E
037-03	P1463P	S GG FUEL INJ MAN PRESS	1	
037-03	P1463P	S GG FUEL INJ MAN PRESS	1	
001-12	P7546P	GN2 STORAGE TK DISCH	FFFFF	J
010-03	P7546P	GN2 STOR TK DISCH PRESS	11111	
010-03	P7546P	GN2 STOR TK DISCH PRESS	11111	
001-03	P7549P	LOX STORAGE TANK ULL	S	S S S S S S S S
007-05	P7549P	LOX STOR TK ULLAGE PRESS	1	
010-01	P7549P	LOX STOR TK ULLAGE PRESS	111	111 1 111 1 11
010-02	P7549P	LOX STOR TK ULLAGE PRESS	11111	111 1 111 1 11
010-03	P7549P	LOX STOR TK ULLAGE PRESS	11111	111 1 111 1 11
010-04	P7549P	LOX STOR TK ULLAGE PRESS	11111	111 1 111 1 11
010-06	P7549P	LOX STOR TK ULLAGE PRESS	11111	111 1 111 1 11
010-07	P7549P	LOX STOR TK ULLAGE PRESS	11111	
024-	P7549P	LOX STOR TK ULLAGE PRESS		1 1 1 1
099-00	P7549P	LOX STOR TK ULLAGE PRESS	11111	111 1 111 1 11
007-05	P7564P	LOX ST TK TO MSL DP	S S S S S S S S	S S S S
010-01	P7564P	LOX STOR TK TO MSL DP	111	111 1 111 1 11
010-03	P7564P	LOX STOR TK TO MSL DP	11111	
010-04	P7564P	LOX STOR TK TO MSL DP	11111	111 1 111 1 11
010-06	P7564P	LOX STOR TK TO MSL DP	11111	111 1 111 1 11
010-07	P7564P	LOX STOR TK TO MSL DP	11111	
099-00	P7564P	LOX STOR TK-MSL DP	11111	111 1 111 1 11
010-01	P7565P	LOX XFER LINE TO MSL	FFFFF	E
010-03	P7565P	LOX XFER LINE TO MSL PRESS	11111	
010-06	P7565P	LOX XFER LINE TO MSL PRESS	11111	
010-07	P7565P	LOX XFER LINE TO MSL PRESS	11111	
011-01	P7567P	FUEL TANK ULLAGE PRESS		E
011-03	P7567P	FUEL LVL TANK ULLAGE PRESS		
011-03	P7567P	FUEL LVL TANK ULLAGE PRESS		
010-01	P7578P	LOX IN TO ELEV DISC	FFFFF	PPP
010-03	P7578P	LOX TO L/P DISCOM IN PRESS	11111	
010-06	P7578P	LOX TO L/P DISCOM IN PRESS	11111	111
010-07	P7578P	LOX TO L/P DISCOM IN PRESS	11111	
010-08	P7578P	LOX TO L/P DISCOM IN PRESS	11111	
010-01	P7682P	DP ON LOX TANK	S S S S S	E
010-01	P7682P	MSL LOX TANK DP	11111	

GENERAL DYNAMICS | ASTRONAUTICS

26 SEPTEMBER 1962

OSTF 2 REC ASSIGNMNT 26 SEP 62 AE60-0653 123 123456 1234 123456 1 12345 027

010-03	P7682P	MSL LOX TANK DP	11111					
010-04	P7682P	MSL LOX TANK DP	11111					
010-06	P7682P	MSL LOX TK DP	11111					
010-07	P7682P	MSL LOX TANK DP	11111					
011-04	P7688P	GND FUEL PUMP OUT PRESS						E
011-04	P7688P	GND FUEL PUMP OUT PRESS						
011-04	P7689P	GND FUEL PUMP IN PRESS						E
011-04	P7689P	GND FUEL PUMP IN PRESS						
011-01	P7690P	GND FUEL FILTER DP						E
011-01	P7690P	GND FUEL FILTER DP						
011-01	P7691P	FUEL FILL LINE IN PRESS						E
011-04	P7691P	FUEL FILL LINE IN PRESS						
011-05	P7691P	FUEL FILL LINE IN PRESS						
011-01	P7692P	FUEL FILL LINE PRESS @ L/P						E
011-04	P7692P	FILL LINE PRESS-L/P DISCON						
011-05	P7692P	FILL LINE PRESS-L/P DISCON						
011-01	P7693P	FUEL FILL LINE PRESS @ ROO						E
011-04	P7693P	FILL LINE PRESS @ R-O-O						
011-05	P7693P	FILL LINE PRESS @ R-O-U						
010-01	P7696P	LOX TOP LINE ROO	33333					E
010-03	P7696P	LOX TOP LINE PRESS @ R-O-O	11111					
010-06	P7696P	LOX TOP LINE PRESS @ R-O-O	11111					
010-07	P7696P	LOX TOP LINE PRESS @ R-O-U	11111					
010-01	P7697P	MAIN LOX LINE @ ROO	FFFFF					E
010-03	P7697P	MAIN LINE PRESS @ R-O-O	11111					
010-06	P7697P	MAIN LINE PRESS @ R-O-O	11111					
010-01	P7699P	MAIN LOX FILTER DP	00000	000	0	000		E
010-03	P7699P	MAIN LOX FILTER DP	11111	111	1	111		
010-06	P7699P	MAIN LOX FILTER DP	11111					
010-01	P7700P	LOX RAPID LO VLV DP	FFFFF					E
010-03	P7700P	LOX RAPID LO VLV DP	11111					
010-06	P7700P	LOX RAPID LO VLV DP	11111					
010-01	P7701P	LOX FINE LO VLV DP	FFFFF					E
010-03	P7701P	LOX FINE LO VLV DP	11111					
010-06	P7701P	LOX FINE LOAD VLV DP	11111					
010-03	P7706P	LOX DRAIN VLV DP	FFFFF					E
010-03	P7706P	LOX DRAIN VLV DP	11111					
	P7707P	LOX FILL FILTER DP	FFFFF					E

28 SEPTEMBER 1962

OSTF 2 REC ASSIGNMNT	26 SEP 62	AE60-0653	123	123456	1234	123456	1	12345	028
010-03	P7707P	LOX FILL FILTER DP		11111					
	P7709P	LOX TOP TK ULLAGE		SSSSS	SSS	S	SSS	S	SS
	P7709P	LOX TOP TK ULLAGE		FFFFF	FFF	F	FFF	F	FF
007-05	P7709P	LOX TOP TK ULLAGE PRESS		111	111	1	111	1	11
010-02	P7709P	LOX TOP TK ULLAGE PRESS		11111	111	1	111	1	11
010-03	P7709P	LOX TOP TK ULLAGE PRESS		11111	111	1	111	1	11
010-04	P7709P	LOX TOP TK ULLAGE PRESS		11111	111				
010-06	P7709P	LOX TOP TK ULLAGE PRESS		11111					
010-07	P7709P	LOX TOP TK ULLAGE PRESS		11111					
024-	P7709P	LOX TOP TK ULLAGE PRESS				1	1	1	1
099-00	P7709P	LOX TOP TK ULLAGE PRESS		11111	111	1	111	1	11
	P7710P	GND LOX TK PRESS LN		FFFFF					
010-03	P7710P	LOX STOR TK PRESS LINE		11111					
	P7711P	LOX TOP TK PRESS LN		FFFFF					
010-03	P7711P	LOX TOP TK PRESS LINE		11111					
	P7907P	81 LOX PUMP INLET		SSSSS					
010-03	P7907P	81 LOX PUMP IN PRESS		11111					
010-06	P7907P	81 LOX PUMP IN PRESS		11111					
	P7909P	FUEL VLV F1 IN PRESS							
011-01	P7909P	FUEL VLV F1 IN PRESS							
011-04	P7909P	FUEL VLV F1 INLET PRESS							
011-05	P7909P	FUEL VLV F1 INLET PRESS							
	P7911P	FUEL PRESS TK DISCH PRESS							
011-05	P7911P	FUEL PRESS TK DISCH PRESS							
	P7913P	LOX FINE LV L1 IN		SSSSS	SSS				
	P7913P	LOX FINE LV L1 IN		FFFFF	FFF				
010-01	P7913P	LOX FINE LD IN PRESS							
010-03	P7913P	FINE LD VLV L1 IN PRESS		11111	111				
010-06	P7913P	LOX FINE LD VLV L-1 IN		11111					
	P7914P	LOX RAPID LV L2 IN		FFFFF					
010-03	P7914P	RAPID LD VLV L2 IN PRESS		11111					
010-06	P7914P	LOX RAPID LD VLV L-2 IN		11111					
010-07	P7914P	RAPID LD VLV L-2 IN PRESS		11111					
	P7915P	LOX DRAIN VLV L16 IN		FFFFF					
010-03	P7915P	LOX DRAIN VLV L16 IN PRESS		11111					
	P7916P	LOX DRAIN VLV L-16 OUT PRES				F			
010-01	P7916P	LOX DRAIN VLV L-16 OUT PRES				1			
	P7917P	LOX STOR TK PV L7 IN		FFFFF					
010-03	P7917P	LOX STOR TK FILL VLV L7 IN		11111					
	P7972P	LOX TK PRESS VLV IN		FFFFF					
010-03	P7972P	STOR TK PRESS VLV IN PRESS		11111					
	P7104R	LOX TOP FL/RT VNTURI		DDDDD	DDD				
	P7104R	LOX TOP FL/RT VNTURI		FFFFF	FFF				
010-01	P7104R	LOX TOP FL/RT VENTURI		11111					

QSTF 2 REC ASSIGNMNT 26 SEP 62 AE60-0653 123 123456 1234 123456 1 12345 029

010-03	P7104R	LOX TOP FL/RT VENTURI	11111	111			
010-04	P7104R	LOX TOPPING FL/RT VENTURI	11111	111			
010-06	P7104R	LOX TOPPING FL/RT VENTURI	11111				
010-07	P7104R	LOX TOPPING FL/RT VENTURI	11111				
	P7109R	LOX TOP BLEED FL/RT	88088	888			
	P7109R	LOX TOP BLEED FL/RT	FFFFF	FFF			E
010-01	P7109R	LOX TOP BLEED FL/RT	11111				
010-03	P7109R	LOX TOP BLEED FL/RT	11111	111			
010-04	P7109R	LOX TOPPING BLEED FL/RT	11111	111			
010-06	P7109R	LOX TOPPING BLEED FL/RT	11111				
010-07	P7109R	LOX TOPPING BLEED FL/RT	11111				
	P7569R	GND FUEL SUPPLY FL/RT					E
011-01	P7569R	GND FUEL SUPPLY FL/RT					
011-06	P7569R	GND FUEL SUPPLY FL/RT					
	P7113T	TCU LOX IN TEMP	55555				E
010-03	P7113T	TCU LOX INLET TEMP	11111				
010-06	P7113T	TCU LOX IN TEMP	11111				
010-07	P7113T	TCU LOX INLET TEMP	11111				
	P7114T	LOX TOP L/P DISC IN	55555				E
010-01	P7114T	LOX TOP L/P DISCON IN TEMP	11111				
010-03	P7114T	LOX TOP L/P DISCON IN TEMP	11111				
010-06	P7114T	LOX TOP TEMP @ L/P DISCON	11111				
010-07	P7114T	LOX TOP L/P DISCON IN TEMP	11111				
010-08	P7114T	LOX TOP L/P DISCON IN TEMP	11111				
	P7134T	B1 LOX PUMP INLET	55555				E
010-01	P7134T	B1 LOX PUMP IN TEMP	11111				
010-03	P7134T	B1 LOX PUMP IN TEMP	11111				
010-06	P7134T	B1 LOX PUMP IN TEMP	11111				
010-07	P7134T	B1 LOX PUMP IN TEMP	11111				
	P7304T	SUS LOX PUMP INLET	55555				E
010-01	P7304T	SUS LOX PUMP IN TEMP	11111				
010-03	P7304T	SUS LOX PUMP IN TEMP	11111				
010-06	P7304T	SUS LOX PUMP IN TEMP	11111				
010-07	P7304T	SUS LOX PUMP IN PRESS	11111				
	P7305T	B2 LOX PUMP INLET	55555				E
010-01	P7305T	B2 LOX PUMP IN TEMP	11111				
010-03	P7305T	B2 LOX PUMP IN TEMP	11111				
010-06	P7305T	B2 LOX PUMP IN TEMP	11111				
010-07	P7305T	B2 LOX PUMP IN PRESS	11111				
	P1325T	ENG COMPT AMB TEMP		5	5	5	5
	P1325T	ENG COMPT AMB TEMP		P	P	P	P
024-	P1325T	ENG COMPT AMB TEMP		1	1	1	1
034-00	P1325T	ENG COMPT AMB TEMP		1	1		
037-01	P1325T	ENG COMPT AMB TEMP		1	1		
	P1530T	S LOX PUMP INLET	888	8	888	8	8
	P1530T	S LOX PUMP INLET TEMP	555	5	555	5	5
007-06	P1530T	S LOX PUMP INLET TEMP	111	1	111		
024-	P1530T	SUS LOX PUMP INLET TEMP		1	1	1	1
034-00	P1530T	SUS LOX PUMP INLET TEMP		1	1		
037-03	P1530T	SUS LOX PUMP INLET TEMP		1	1		
	P7847T	GN2 STORAGE TK DISCH	PPPPP				E

REPORT NO. AE60-0653

SECTION 9

GENERAL DYNAMICS | ASTRONAUTICS

28 SEPTEMBER 1962

OSTF 2 REC ASSIGNMNT 26 SEP 62

AE60-0653

123 123456 1234 123456 1 12345

030

001-12	P7547T	GN2 STOR TK DISCH TEMP						
010-03	P7547T	GN2 STOR TK DISCH TEMP	11111					
	P7566T	FUEL LINE TO MSL TEMP						E
011-01	P7566T	FUEL LINE TO MSL TEMP						
011-02	P7566T	FUEL LINE TO MSL TEMP						
011-08	P7566T	FUEL LINE TO MSL TEMP						
	P7571T	MAIN LOX IN @ DISC	55555	555				E
010-01	P7571T	MAIN LINE TEMP-L/P DISCON	11111	111				
010-03	P7571T	MAIN LINE TEMP-L/P DISCON	11111					
010-07	P7571T	MAIN LINE TEMP-L/P DISCON	11111					
010-08	P7571T	MAIN LINE TEMP-L/P DISCON	11111					
	P7572T	MSL TANK FUEL TEMP						E
011-01	P7572T	MSL TANK FUEL TEMP						
011-02	P7572T	MSL TANK FUEL TEMP						
011-05	P7572T	MSL TANK FUEL PRESS						
011-08	P7572T	MISSILE TANK FUEL TEMP						
	P7698T	MAIN LOX LINE @ ROD	55555					E
010-01	P7698T	MAIN LOX LINE TEMP @ R-O-O	11111					
010-03	P7698T	MAIN LOX LINE TEMP @ R-O-O	11111					
010-06	P7698T	MAIN LOX LINE TEMP @ R-O-O	11111					
010-07	P7698T	MAIN LOX LINE TEMP @ R-O-O	11111					
	P7702T	LOX TOP LINE ROD	55555					E
010-01	P7702T	LOX TOP LINE TEMP @ R-O-O	11111					
010-03	P7702T	LOX TOP LINE TEMP @ R-O-O	11111					
010-06	P7702T	LOX TOP LINE TEMP @ R-O-O	11111					
010-07	P7702T	LOX TOP LINE TEMP @ R-O-O	11111					
	P1711T	B1 MACELLE AMB TEMP		0	0	0	0	
	P1711T	B1 MACELLE AMB TEMP		P	P	P	P	E
024-	P1711T	B1 MACELLE AMB TEMP		1	1	1	1	
034-00	P1711T	B1 MACELLE AMB TEMP		1	1			
037-01	P1711T	B1 MACELLE AMB TEMP		1	1			
	P1712T	B2 MACELLE AMB TEMP		0	0	0	0	
	P1712T	B2 MACELLE AMB TEMP		P	P	P	P	E
024-	P1712T	B2 MACELLE AMB TEMP		1	1	1	1	
034-00	P1712T	B2 MACELLE AMB TEMP		1	1			
037-01	P1712T	B2 MACELLE AMB TEMP		1	1			
	P7802T	SKIN B1 HYPERGOL CTL		P				E
001-02	P7802T	SKIN B1 HYPERGOL CTL		2				
	P7803T	SKIN B2 HYPERGOL CTL		P				E
001-02	P7803T	SKIN B2 HYPERGOL CTL		2				
	P7806T	SKIN 3 HYPERGOL CTL		P				E
001-02	P7806T	SKIN 3 HYPERGOL CTL		2				
	P7812T	AMB 3 HYD CTL MAN		0				E
001-02	P7812T	AMB 3 HYD CTL MAN		2				
	P7813T	AMB QUAD 4 STA 1208		0				E
001-02	P7813T	AMB QUAD 4 STA 1208		1				

GENERAL DYNAMICS | ASTRONAUTICS

26 SEPTEMBER 1962

QSTF 2 REC ASSIGNMNT	26 SEP 62	AE60-0653	123	123456	1234	123456	1	12345	031
001-02	P7814T	AMB QUAD 3 STA 1175	0						E
	P7814T	AMB QUAD 3 STA 1175	1						
001-02	P7815T	AMB QUAD 2 STA 1245	0						E
	P7815T	AMB QUAD 2 STA 1245	1						
001-02	P7816T	AMB QUAD 1 STA 1248	0						E
	P7816T	AMB QUAD 1 STA 1248	1						
001-02	P7817T	AMB B1 NAC STA 1245	0						E
	P7817T	AMB B1 NAC STA 1245	1						
001-02	P7818T	AMB B2 NAC STA 1245	5						E
	P7818T	AMB B2 NAC STA 1245	1						
001-02	P7819T	AMB QUAD 2 STA 1236	5						E
	P7819T	AMB QUAD 2 STA 1236	1						
001-02	P7820T	AMB B2 NAC STA 1156	5						E
	P7820T	AMB B2 NAC STA 1156	1						
001-02	P7821T	AMB B1 NAC STA 1156	5						E
	P7821T	AMB B1 NAC STA 1156	1						
001-02	P7822T	AMB B1 FUEL CTL VLV	5						E
	P7822T	AMB B1 FUEL CTL VLV	1						
001-02	P7823T	AMB B2 FUEL CTL VLV	5						E
	P7823T	AMB B2 FUEL CTL VLV	1						
001-02	P7824T	AMB QUAD 4 STA 1260	5						E
	P7824T	AMB QUAD 4 STA 1260	1						
001-02	P7825T	SKIN B1 NAC STA 1220	5						E
	P7825T	SKIN B1 NAC STA 1220	1						
001-02	P7826T	SKIN B2 NAC STA 1220	5						E
	P7826T	SKIN B2 NAC STA 1220	1						
001-02	P7827T	SKIN X AXIS STA 1200	5						E
	P7827T	SKIN X AXIS STA 1200	1						
011-02	P7908T	FUEL PRESN TK DISCH TEMP							E
	P7908T	FUEL PRESN TK DISCH TEMP							
007-06	P7126V	5 IGN STAGE CTL VOLT							E
	P7126V	5 IGN STAGE CTL VOLT							
007-09	P7115X	RAPID TOP VLV OPEN							E
	P7115X	RAPID TOP VLV OPEN							
010-01	P7115X	RAPID TOP VLV OPEN							E
	P7115X	RAPID TOP VLV OPEN							
010-02	P7115X	RAPID TOP VLV OPEN							E
	P7115X	RAPID TOP VLV OPEN							
010-04	P7115X	RAPID TOP VLV OPEN							E
	P7115X	RAPID TOP VLV OPEN							
010-07	P7115X	RAPID TOP VLV OPEN							E
	P7115X	RAPID TOP VLV OPEN							
024-	P7115X	RAPID TOP VLV OPEN							E
	P7115X	RAPID TOP VLV OPEN							

PPP  
 111  
 RRRR RRR R RR  
 111 111 1 111 1 11  
 11111 111 1 111 1 11  
 11111 111 1 111 1 11  
 11111 111 1 111 1 11  
 11111 111 1 111 1 11  
 11111 111 1 111 1 11

SECTION 9

GENERAL DYNAMICS | ASTRONAUTICS

26 SEPTEMBER 1962

OSTF 2 REC ASSIGNMNT 26 SEP 62

AE60-0653

123 123456 1234 123456 1 12345

032

	P7116X	RAPID TOP VLV CLSD	RRRRR	R R RR RRR	R RR
007-05	P7116X	RAPID TOP VLV CLSD	111	111 1 111	1 11
010-01	P7116X	RAPID TOP VLV CLSD	11111	111 1 111	1 11
010-02	P7116X	RAPID TOP VLV CLSD	11111	111 1 111	1 11
010-04	P7116X	RAPID TOP VLV CLSD	11111	111 1 111	1 11
010-07	P7116X	RAPID TOP VLV CLSD	11111		
024-	P7116X	RAPID TOP VLV CLSD		1 1	1 1
	P7117X	TOPPING VLV OPEN	RRRRR	R R RR RRR	R RR
007-05	P7117X	TOPPING VLV OPEN	111	111 1 111	1 11
010-01	P7117X	TOPPING VLV OPEN	11111	111 1 111	1 11
010-02	P7117X	TOPPING VLV OPEN	11111	111 1 111	1 11
010-04	P7117X	TOPPING VLV OPEN	11111	111 1 111	1 11
010-07	P7117X	TOPPING VLV OPEN	11111		
024-	P7117X	TOPPING VLV OPEN		1 1	1 1
	P7118X	TOPPING VLV CLSD	RRRRR	R R RR RRR	R RR
007-05	P7118X	TOPPING VLV CLSD	111	111 1 111	1 11
010-01	P7118X	TOPPING VLV CLSD	11111	111 1 111	1 11
010-02	P7118X	TOPPING VLV CLSD	11111	111 1 111	1 11
010-04	P7118X	TOPPING VLV CLSD	11111	111 1 111	1 11
010-07	P7118X	TOPPING VLV CLSD	11111		
024-	P7118X	TOPPING VLV CLSD		1 1	1 1
	P7129X	VENT VLV A-80 OPEN	RRRRR	RRR R RRR	R RR
010-01	P7129X	VENT VLV N80 OPEN	11111	111 1 111	1 11
010-02	P7129X	VENT VLV N80 OPEN	11111	111 1 111	1 11
	P7130X	VENT VLV N-80 CLSD	RRRRR	RRR R RRR	R RR
010-01	P7130X	VENT VLV N80 CLSD	11111	111 1 111	1 11
010-02	P7130X	VENT VLV N80 CLSD	11111	111 1 111	1 11
	P7131X	LN DRN PRES N60 OPEN	RRRRR	RRR R RRR	R PR
010-01	P7131X	LOX DRAIN VLV N60 OPEN	11111	111 1 111	1 11
010-02	P7131X	LOX DRAIN VLV N60 OPEN	11111	111 1 111	1 11
	P7132X	LN DRN PRES N60 CLSD	RRRRR	RRR R RRR	R RR
010-01	P7132X	LOX DRAIN VLV N60 CLSD	11111	111 1 111	1 11
010-02	P7132X	LOX DRAIN VLV N60 CLSD	11111	111 1 111	1 11
	P7193X	LOX TOPG TK VV OPEN	RRRRR	RRR R RRR	R RR
010-01	P7193X	LOX TOP TK VENT VLV OPEN	11111	111 1 111	1 11
010-02	P7193X	LOX TOP TK VENT VLV OPEN	11111	111 1 111	1 11
010-03	P7193X	LOX TOP TK VENT VLV OPEN	11111	111 1 111	1 11
010-07	P7193X	LOX TOP TK VENT VLV OPEN	11111		
024-	P7193X	LOX TOP TK VENT VLV OPEN		1 1	1 1
	P7194X	LOX TOPG TK VV CLSD	RRRRR	RRR R RRR	R RR
010-01	P7194X	LOX TOP TK VENT VLV CLSD	11111	111 1 111	1 11
010-02	P7194X	LOX TOP TK VENT VLV CLSD	11111	111 1 111	1 11
010-03	P7194X	LOX TOP TK VENT VLV CLSD	11111	111 1 111	1 11
010-07	P7194X	LOX TOP TK VENT VLV CLSD	11111		
024-	P7194X	LOX TOP TK VENT VLV CLSD		1 1	1 1
	P7195X	FUEL VLV F4 OPEN			
011-04	P7195X	FUEL VLV F4 OPEN			
011-05	P7195X	FUEL VLV F4 OPEN			
	P7196X	FUEL VLV F4 CLSD			
011-04	P7196X	FUEL VLV F4 CLSD			
011-05	P7196X	FUEL VLV F4 CLSD			

GENERAL DYNAMICS | ASTRONAUTICS

26 SEPTEMBER 1962

OSTF 2 REC ASSIGNMNT 26 SEP 62

AE60-0653

123 123456 1234 123456 1 12345

033

	P7223X	LOX STOR TK VV CLSD	RRRRR	RRR	R	RRR	R	RR
010-01	P7223X	LOX STOR TK VENT VLV CLSD	11111	111	1	111	1	11
010-02	P7223X	LOX STOR TK VENT VLV CLSD	11111	111	1	111	1	11
010-03	P7223X	LOX STOR TK VENT VLV CLSD	11111	111	1	111	1	11
010-07	P7223X	LOX STOR TK VENT VLV CLSD	11111					
	P7225X	LOX RAPID LV OPEN	RRRRR	RRR	R	RRR	R	RR
007-05	P7225X	LOX RAPID LD VLV OPEN	111	111	1	111	1	11
010-01	P7225X	LOX RAPID LD VLV OPEN	11111	111	1	111	1	11
010-02	P7225X	LOX RAPID LD VLV OPEN	11111	111	1	111	1	11
010-04	P7225X	LOX RAPID LD VLV OPEN	11111	111	1	111	1	11
010-06	P7225X	LOX RAPID LD VLV OPEN	11111	111	1	111	1	11
010-07	P7225X	LOX RAPID LD VLV OPEN	11111					
024-	P7225X	LOX RAPID LD VLV OPEN			1	1		1
	P7226X	LOX FINE LV OPEN	RRRRR	RRR	R	RRR	R	RR
007-05	P7226X	LOX FINE LD VLV OPEN	111	111	1	111	1	11
010-01	P7226X	LOX FINE LD VLV OPEN	11111	111	1	111	1	11
010-02	P7226X	LOX FINE LD VLV OPEN	11111	111	1	111	1	11
010-04	P7226X	LOX FINE LD VLV OPEN	11111	111	1	111	1	11
010-06	P7226X	LOX FINE LD VLV OPEN	11111	111	1	111	1	11
010-07	P7226X	LOX FINE LD VLV OPEN	11111					
024-	P7226X	LOX FINE LD VLV OPEN			1	1		1
	P7227X	LOX RAPID LV CLSD	RRRRR	RRR	R	RRR	R	RR
007-05	P7227X	LOX RAPID LD VLV CLSD	111	111	1	111	1	11
010-01	P7227X	LOX RAPID LD VLV CLSD	11111	111	1	111	1	11
010-02	P7227X	LOX RAPID LD VLV CLSD	11111	111	1	111	1	11
010-04	P7227X	LOX RAPID LD VLV CLSD	11111	111	1	111	1	11
010-06	P7227X	LOX RAPID LD VLV CLSD	11111	111	1	111	1	11
010-07	P7227X	LOX RAPID LD VLV CLSD	11111					
024-	P7227X	LOX RAPID LD VLV CLSD			1	1		1
	P7228X	LOX FINE LV CLSD	RRRRR	RRR	R	RRR	R	RR
007-05	P7228X	LOX FINE LD VLV CLSD	111	111	1	111	1	11
010-01	P7228X	LOX FINE LD VLV CLSD	11111	111	1	111	1	11
010-02	P7228X	LOX FINE LD VLV CLSD	11111	111	1	111	1	11
010-04	P7228X	LOX FINE LD VLV CLSD	11111	111	1	111	1	11
010-07	P7228X	LOX FINE LD VLV CLSD	11111					
024-	P7228X	LOX FINE LD VLV CLSD			1	1		1
	P7236X	LOX STOR TK VV OPEN	RRRRR	RRR	R	RRR	R	RR
010-01	P7236X	LOX STOR TK VENT VLV OPEN	11111	111	1	111	1	11
010-02	P7236X	LOX STOR TK VENT VLV OPEN	11111	111	1	111	1	11
010-03	P7236X	LOX STOR TK VENT VLV OPEN	11111	111	1	111	1	11
010-07	P7236X	LOX STOR TK VENT VLV OPEN	11111					
	P7238X	LOX DRAIN VALVE OPEN	RRRRR	RRR	R	RRR	R	RR
010-02	P7238X	LOX DRAIN VLV OPEN	11111	111	1	111	1	11
024-	P7238X	LOX DRAIN VLV OPEN			1	1		1
	P7240X	LOX DRAIN VALVE CLSD	RRRRR	RRR	R	RRR	R	RR
010-02	P7240X	LOX DRAIN VLV CLSD	11111	111	1	111	1	11
024-	P7240X	LOX DRAIN VLV CLSD			1	1		1
	P7241X	LOX CHILLDWN VLV N-1 CLSD		RRR	R	RRR	R	RR
010-01	P7241X	LOX CHILLDWN VLV N-1 CLSD		111	1	111	1	11
	P7251X	LOX CHILLDWN VLV N-2 CLSD		RRR				
010-01	P7251X	LOX CHLDN VLV N2 CLSD		111				
010-02	P7251X	LOX CHLDN VLV N2 CLSD		111				
	P7252X	LOX CHILLDWN VLV N-3 CLSD		RRR				



SECTION 9

GENERAL DYNAMICS | ASTRONAUTICS

26 SEPTEMBER 1962

OSTF 2 REC ASSIGNMNT 26 SEP 62 AE60-0653 123 123456 1234 123456 1 12345

010-01 P7252X LOX CHLDN VLV N3 CLSD 111  
 010-02 P7252X LOX CHLDN VLV N3 CLSD 111

P7253X LOX CHILLDWN VLV N50 CLSD RRR  
 010-01 P7253X LOX CHLDN VLV N50 CLSD 111  
 010-02 P7253X LOX CHLDN VLV N50 CLSD 111

P7922X FUEL VLV F1 OPEN  
 011-01 P7922X FUEL VLV F1 OPEN  
 011-02 P7922X FUEL VLV F1 OPEN  
 011-04 P7922X FUEL VLV F1 OPEN  
 011-05 P7922X FUEL VLV F1 OPEN

P7923X FUEL VLV F1 CLSD  
 011-01 P7923X FUEL VLV F1 CLSD  
 011-02 P7923X FUEL VLV F1 CLSD  
 011-04 P7923X FUEL VLV F1 CLSD  
 011-05 P7923X FUEL VLV F1 CLSD

P7924X FUEL VLV F2 OPEN  
 011-01 P7924X FUEL VLV F2 OPEN  
 011-02 P7924X FUEL VLV F2 OPEN  
 011-04 P7924X FUEL VLV F2 OPEN  
 011-05 P7924X FUEL VLV F2 OPEN

P7925X FUEL VLV F2 CLSD  
 011-01 P7925X FUEL VLV F2 CLSD  
 011-02 P7925X FUEL VLV F2 CLSD  
 011-04 P7925X FUEL VLV F2 CLSD  
 011-05 P7925X FUEL VLV F2 CLSD

P7926X FUEL VLV F3 OPEN  
 011-01 P7926X FUEL VLV F3 OPEN  
 011-02 P7926X FUEL VLV F3 OPEN  
 011-04 P7926X FUEL VLV F3 OPEN  
 011-05 P7926X FUEL VLV F3 OPEN

P7927X FUEL VLV F3 CLSD  
 011-01 P7927X FUEL VLV F3 CLSD  
 011-02 P7927X FUEL VLV F3 CLSD  
 011-04 P7927X FUEL VLV F3 CLSD  
 011-05 P7927X FUEL VLV F3 CLSD

P7928X FUEL VLV NF4 OPEN  
 011-01 P7928X FUEL VLV NF4 OPEN  
 011-02 P7928X FUEL VLV NF4 OPEN  
 011-04 P7928X FUEL VLV NF4 OPEN  
 011-05 P7928X FUEL VLV NF4 OPEN

P7929X FUEL VLV NF4 CLSD  
 011-01 P7929X FUEL VLV NF4 CLSD  
 011-02 P7929X FUEL VLV NF4 CLSD  
 011-04 P7929X FUEL VLV NF4 CLSD  
 011-05 P7929X FUEL VLV NF4 CLSD

P7930X FUEL VLV NF1 OPEN  
 011-01 P7930X FUEL VLV NF1 OPEN  
 011-02 P7930X FUEL VLV NF1 OPEN  
 011-04 P7930X FUEL VLV NF1 OPEN  
 011-05 P7930X FUEL VLV NF1 OPEN

P7931X FUEL VLV NF1 CLSD

OSTF 2 REC ASSIGNMNT 26 SEP 62 AE60-0653

123 123456 1234 123456 1 12345

039

011-01 P7931X FUEL VLV NF1 CLSD  
 011-02 P7931X FUEL VLV NF1 CLSD  
 011-04 P7931X FUEL VLV NF1 CLSD  
 011-05 P7931X FUEL VLV NF1 CLSD

P7932X FUEL VLV NF2 OPEN  
 011-01 P7932X FUEL VLV NF2 OPEN  
 011-02 P7932X FUEL VLV NF2 OPEN  
 011-04 P7932X FUEL VLV NF2 OPEN  
 011-05 P7932X FUEL VLV NF2 OPEN

P7933X FUEL VLV NF2 CLSD  
 011-01 P7933X FUEL VLV NF2 CLSD  
 011-02 P7933X FUEL VLV NF2 CLSD  
 011-04 P7933X FUEL VLV NF2 CLSD  
 011-05 P7933X FUEL VLV NF2 CLSD

P7934X FUEL A/B F6D VLV OPEN  
 011-01 P7934X FUEL A/B F6D VLV OPEN  
 011-02 P7934X FUEL A/B F6D VLV OPEN  
 011-04 P7934X FUEL A/B F6D VLV OPEN  
 011-05 P7934X FUEL A/B F6D VLV OPEN

P7935X FUEL A/B F6D VLV CLS  
 007-04 P7935X FUEL A/B F6D VLV CLSD  
 011-01 P7935X FUEL A/B F6D VLV CLSD  
 011-02 P7935X FUEL A/B F6D VLV CLSD  
 011-04 P7935X FUEL A/B F6D VLV CLSD  
 011-05 P7935X FUEL A/B F6D VLV CLSD

RR RR R RR R RR  
 11 111 1 111 1 11

P7936X FUEL LVL TK F11 PUMP OPEN  
 011-01 P7936X FUEL LVL TK F11 PUMP OPEN

P7937X FUEL SENSOR LS-10  
 011-01 P7937X FUEL SENSOR LS-10  
 011-05 P7937X FUEL SENSOR LS-10

P7938X FUEL LVL TK FULL  
 011-01 P7938X FUEL LVL TK FULL  
 011-02 P7938X FUEL LVL TK FULL  
 011-05 P7938X FUEL LVL TK FULL

P7939X FUEL LVL TK HALF FULL  
 011-01 P7939X FUEL LVL TK HALF FULL  
 011-05 P7939X FUEL LVL TK HALF FULL

P7947X LOX STORE TK FULL  
 010-03 P7947X LOX STOR TK FULL

RRRRR RRR R RRR R RR  
 11111 111 1 111 1 11

P7957X LOX VLV L7 OPEN  
 010-02 P7957X LOX VLV L7 OPEN

RRRRR  
 11111

P7958X LOX VLV L7 CLOSED  
 010-02 P7958X LOX VLV L7 CLSD

RRRRR  
 11111

P7959X LOX VLV L6 OPEN  
 010-02 P7959X LOX VLV L6 OPEN

RRRRR  
 11111

P7960X LOX VLV L6 CLOSED

RRRRR

JSTF 2 REC ASSIGNMNT 26 SEP 62 AE60-0653

123 123456 1234 123456 1 12345

036

010-02	P7960X	LOX VLV L6 CLSD	11111					
	P7963X	LOX A/B F6D VLV OPEN	RRRRR	RRR	R	RRR	R	RR
010-02	P7963X	LOX A/B F6D VLV OPEN	11111	111	1	111	1	11
	P7964X	LOX A/B F6D VLV CLSD	RRRRR	RRR	R	RRR	R	RR
007-06	P7964X	LOX A/B F6D VLV CLSD	11	111	1	111	1	11
010-02	P7964X	LOX A/B F6D VLV CLSD	11111	111	1	111	1	11
	P1051Y	ENG COMPT ACOUSTIC			N		N	
034-00	P1051Y	ENG COMPT ACOUSTIC			1		1	
037-01	P1051Y	ENG COMPT ACOUSTIC			1		1	
	U7019N	L/P LOX DISC CAMERA	LLLLL	LLL				
010-08	U7019N	L/P LOX DISCON CAMERA	11111	111				
	U7020N	HOT-COLD DISC CAMERA	LLLLL					
010-08	U7020N	HOT-COLD DISCON CAMERA	11111					
	U7080P	LOX TANK HEAD	FFFFF					
010-03	U7080P	LOX TANK HEAD PRESS	11111					
010-04	U7080P	LOX TANK HEAD PRESS	11111					
010-06	U7080P	LOX TANK HEAD PRESS	11111					
	U7081P	FUEL TANK HEAD PRESS						
011-01	U7081P	FUEL TANK HEAD PRESS						
011-05	U7081P	FUEL TANK HEAD PRESS						
	U7126V	AA COMP 28 VDC INPUT					F	FF
007-08	U7126V	AA COMP 28 VDC INPUT					1	11
024-	U7126V	AA COMP 28 VDC INPUT					1	1
	U7134V	AA TIME SHARED OSC OUTPUT					F	FF
007-08	U7134V	AA TIME SHARED OSC OUTPUT					1	11
024-	U7134V	AA TIME SHARED OSC OUTPUT					1	1
	U7011X	RAPID FILL LOX CTL-1	RRRRR	RRR	R	RRR	R	RR
007-05	U7011X	RAPID FILL LOX CTL-1	111	111	1	111	1	11
010-02	U7011X	RAPID FILL LOX CTL-1	11111	111	1	111	1	11
010-03	U7011X	RAPID FILL LOX CTL-1	11111	111	1	111	1	11
010-04	U7011X	RAPID FILL LOX CTL-1	11111	111	1	111	1	11
010-06	U7011X	RAPID FILL LOX CTL-1	11111	111	1	111	1	11
010-07	U7011X	RAPID FILL LOX CTL-1	11111					
024-	U7011X	RAPID FILL LOX CTL-1			1	1	1	1
	U7012X	TOPPING LOW CTL-1	RRRRR	RRR	R	RRR	R	RR
007-05	U7012X	TOPPING LOW CTL-1	111	111	1	111	1	11
010-02	U7012X	TOPPING LOW CTL-1	11111	111	1	111	1	11
010-03	U7012X	TOPPING LOW CTL-1	11111	111	1	111	1	11
010-04	U7012X	TOPPING LOW CTL-1	11111	111	1	111	1	11
010-06	U7012X	TOPPING LOW CTL-1	11111	111	1	111	1	11
010-07	U7012X	TOPPING LOW CTL-1	11111					
024-	U7012X	TOPPING LOW CTL-1			1	1	1	1
	U7013X	TOPPING HIGH CTL-1	RRRRR	RRR	R	RRR	R	RR
007-05	U7013X	TOPPING HIGH CTL-1	111	111	1	111	1	11
010-02	U7013X	TOPPING HIGH CTL-1	11111	111	1	111	1	11
010-03	U7013X	TOPPING HIGH CTL-1	11111	111	1	111	1	11
010-04	U7013X	TOPPING HIGH CTL-1	11111	111	1	111	1	11

E

E

E

E

GENERAL DYNAMICS | ASTRONAUTICS

26 SEPTEMBER 1962

037

OSTF 2 REC ASSIGNMNT 26 SEP 62 AE60-0653

123 123456 1234 123456 1 12345

010-06	U7013X	TOPPING HIGH CTL-1	11111	111	1	111	1	11
010-07	U7013X	TOPPING HIGH CTL-1	11111					1 1
024-	U7013X	TOPPING HIGH CTL-1			1	1		1 1
007-05	U7014X	100% LOX CONTROL-1	RRRRR	RRR	R	RRR	R	RR
010-02	U7014X	100% LOX CTL-1	111	111	1	111	1	11
010-03	U7014X	100% LOX CTL-1	11111	111	1	111	1	11
010-04	U7014X	100% LOX CTL-1	11111	111	1	111	1	11
010-06	U7014X	100% LOX CTL-1	11111	111	1	111	1	11
010-07	U7014X	100% LOX CTL-1	11111					1 1
024-	U7014X	100% LOX CTL-1			1	1		1 1
007-05	U7015X	RAPID FILL LOX CTL-2	RRRRR	RRR	R	RRR	R	RR
010-02	U7015X	RAPID FILL LOX CTL-2	111	111	1	111	1	11
010-03	U7015X	RAPID FILL LOX CTL-2	11111	111	1	111	1	11
010-04	U7015X	RAPID FILL LOX CTL-2	11111	111	1	111	1	11
010-06	U7015X	RAPID FILL LOX CTL-2	11111	111	1	111	1	11
010-07	U7015X	RAPID FILL LOX CTL-2	11111					1 1
024-	U7015X	RAPID FILL LOX CTL-2			1	1		1 1
007-05	U7016X	TOPPING LOW CTL-2	RRRRR	RRR	R	RRR	R	RR
010-02	U7016X	TOPPING LOW CTL-2	111	111	1	111	1	11
010-03	U7016X	TOPPING LOW CTL-2	11111	111	1	111	1	11
010-04	U7016X	TOPPING LOW CTL-2	11111	111	1	111	1	11
010-06	U7016X	TOPPING LOW CTL-2	11111	111	1	111	1	11
010-07	U7016X	TOPPING LOW CTL-2	11111					1 1
024-	U7016X	TOPPING LOW CTL-2			1	1		1 1
007-05	U7017X	TOPPING HIGH CTL-2	RRRRR	RRR	R	RRR	R	RR
010-02	U7017X	TOPPING HIGH CTL-2	111	111	1	111	1	11
010-03	U7017X	TOPPING HIGH CTL-2	11111	111	1	111	1	11
010-04	U7017X	TOPPING HIGH CTL-2	11111	111	1	111	1	11
010-06	U7017X	TOPPING HIGH CTL-2	11111	111	1	111	1	11
010-07	U7017X	TOPPING HIGH CTL-2	11111					1 1
024-	U7017X	TOPPING HIGH CTL-2			1	1		1 1
007-05	U7018X	100% LOX CONTROL-2	RRRRR	RRR	R	RRR	R	RR
010-02	U7018X	100% LOX CTL-2	111	111	1	111	1	11
010-03	U7018X	100% LOX CTL-2	11111	111	1	111	1	11
010-04	U7018X	100% LOX CTL-2	11111	111	1	111	1	11
010-06	U7018X	100% LOX CTL-2	11111	111	1	111	1	11
010-07	U7018X	100% LOX CTL-2	11111					1 1
024-	U7018X	100% LOX CTL-2			1	1		1 1
011-01	U7021X	FUEL LVL NOT LOW-1					R	R
011-05	U7021X	FUEL LVL NOT LOW-1						R R
011-06	U7021X	FUEL LVL NOT LOW-1			1	1		1 1
024-	U7021X	FUEL LVL NOT LOW-1						1 1
011-01	U7022X	FUEL LVL NOT LOW-2					R	R
011-05	U7022X	FUEL LVL NOT LOW-2						R R
011-06	U7022X	FUEL LVL NOT LOW-2			1	1		1 1
024-	U7022X	FUEL LVL NOT LOW-2						1 1
011-01	U7023X	FUEL LVL TOO HIGH-1					R	R
011-01	U7023X	FUEL LVL TOO HIGH-1						R R

SECTION 9

GENERAL DYNAMICS | ASTRONAUTICS

26 SEPTEMBER 1962

OSTF 2 REC ASSIGNMNT 26 SEP 62 AE60-0653

123 123456 1234 123456 1 12345

038

011-05	U7023X	FUEL LVL TOO HIGH-1					
011-06	U7023X	FUEL LVL TOO HIGH-1					
024-	U7023X	FUEL LVL TOO HIGH-1			1 1		1 1
	U7024X	FUEL LVL TOO HIGH-2					
011-01	U7024X	FUEL LVL TOO HIGH-2			R R		R R
011-05	U7024X	FUEL LVL TOO HIGH-2					
011-06	U7024X	FUEL LVL TOO HIGH-2					
024-	U7024X	FUEL LVL TOO HIGH-2			1 1		1 1
	U7125X	AA COMPUTER RESET		F FFF	FFF	F FFF	F F
007-08	U7125X	AA COMPUTER RESET		1 111	111	1 111	
024-	U7125X	AA COMPUTER RESET				1 1	1 1
	U7132X	AA STA COUNTER OTP		F FFF	FFF	F FFF	F F
007-08	U7132X	AA STA COUNTER OUTPUT		1 111	111	1 111	
024-	U7132X	AA STA COUNTER OUTPUT				1 1	1 1
	Y7052X	R/V BATT HTR THERMOS		R R R R	R R R R	R R R R	R R R
003-15	Y7052X	R/V BAT HTR THERMOSTAT		1	1	1	
006-05	Y7052X	R/V BAT HTR THERMOSTAT		1 11	1 11	1 1 11	1 11
	Y7054X	LAUNCH CONTROL POWER		R R R	R R R	R R R R	R R R
003-14	Y7054X	LAUNCH CONTROL POWER		1 11	1 11	1 1 11	1 11
006-05	Y7054X	LAUNCH CONTROL POWER		1 11	1 11	1 1 11	1 11
	Y7055X	START COUNTDOWN PWR		R R R	R R R	R R R R	R R R
003-14	Y7055X	START COUNTDOWN POWER		1 11	1 11	1 1 11	1 11
006-05	Y7055X	START COUNTDOWN POWER		1 11	1 11	1 1 11	1 11
	Y7056X	28 VDC VERIFICATION		R R R	R R R	R R R R	R R R
003-14	Y7056X	28 VDC VERIFICATION		1 11	1 11	1 1 11	1 11
006-05	Y7056X	28 VDC VERIFICATION		1 11	1 11	1 1 11	1 11
009-04	Y7056X	28 VDC VERIFICATION		1 1 1 1 1	1 11	1 1 1 1 1	1 1 1 1 1
	Y7059X	R/V CONTINUITY		R R R R R	R R R R	R R R R	R R R
003-15	Y7059X	R/V CONTINUITY		1	1	1	
003-16	Y7059X	R/V CONTINUITY		1	1	1	
006-05	Y7059X	R/V CONTINUITY		1 11	1 11	1 1 1 1 1	1 1 1 1 1
009-04	Y7059X	R/V CONTINUITY		1 1 1 1 1	1 11	1 1 1 1 1	1 1 1 1 1
	Y7061X	MARK 4 R/V		R R R R R	R R R	R R R R	R R R
003-14	Y7061X	MARK 4 R/V		1 11	1 11	1 1 1 1 1	1 1 1 1 1
006-05	Y7061X	MARK 4 R/V		1 11	1 11	1 1 1 1 1	1 1 1 1 1
009-04	Y7061X	MARK 4 R/V		1 1 1 1 1	1 11	1 1 1 1 1	1 1 1 1 1
	Y7062X	R/V TACTICAL		R R R R R	R R R	R R R R	R R R
003-15	Y7062X	R/V TACTICAL		1	1	1	
003-16	Y7062X	R/V TACTICAL		1	1	1	
006-05	Y7062X	R/V TACTICAL		1 11	1 11	1 1 1 1 1	1 1 1 1 1
009-04	Y7062X	R/V TACTICAL		1 1 1 1 1	1 11	1 1 1 1 1	1 1 1 1 1
	Y7064X	115 VAC VERIFICATION		R R R	R R R	R R R R	R R R
003-14	Y7064X	115 VAC VERIFICATION		1 11	1 11	1 1 1 1 1	1 1 1 1 1
006-05	Y7064X	115 VAC VERIFICATION		1 11	1 11	1 1 1 1 1	1 1 1 1 1
	Y7065X	START COUNTDOWN VFY		R R R	R R R	R R R R	R R R
003-14	Y7065X	START COUNTDOWN VERIFY		1 11	1 11	1 1 1 1 1	1 1 1 1 1
006-05	Y7065X	START COUNTDOWN VERIFY		1 11	1 11	1 1 1 1 1	1 1 1 1 1

E  
E

26 SEPTEMBER 1962

OSTF 2 REC ASSIGNMNT 26 SEP 62 AE60-0653

123 123456 1234 123456 1 12345

039

	Y7066X	TARGET A SET	RRR	RRR	R RRR	R RR
003-14	Y7066X	TARGET A SET	111	111	1 111	1 11
006-05	Y7066X	TARGET A SET	111	111	1 111	1 11
	Y7067X	TARGET B SET	RRR	RRR	R RRR	R RR
003-14	Y7067X	TARGET B SET	111	111	1 111	1 11
006-05	Y7067X	TARGET B SET	111	111	1 111	1 11
	Y7068X	MARK 3 R/V	RRRRR	RRR	R RRR	R RR
006-05	Y7068X	MARK 3 R/V	111	111	1 111	1 11
009-04	Y7068X	MARK 3 R/V	11111	111	1 111	1 11
	Y7069X	TARGET A SELECT	RRRRR	RRRR	R RRRR	R RR
003-15	Y7069X	TARGET A SELECT	1	1	1	
003-16	Y7069X	TARGET A SELECT	1	1	1	
006-05	Y7069X	TARGET A SELECT	111	111	1 111	1 11
009-04	Y7069X	TARGET A SELECT	11111	111	1 111	1 11
	Y7070X	TARGET B SELECT	RRRRR	RRRR	R RRRR	R RR
003-15	Y7070X	TARGET B SELECT	1	1	1	
003-16	Y7070X	TARGET B SELECT	1	1	1	
006-05	Y7070X	TARGET B SELECT	111	111	1 111	1 11
009-04	Y7070X	TARGET B SELECT	11111	111	1 111	1 11
	Y7071X	START COUNTDOWN SIG	RRRRR	RRR	R RRR	R RR
003-14	Y7071X	START COUNTDOWN SIGNAL	111	111	1 111	1 11
006-05	Y7071X	START COUNTDOWN SIGNAL	111	111	1 111	1 11
009-04	Y7071X	START COUNTDOWN SIG	11111	111	1 111	1 11
	Y7072X	28 VDC RECEIVER	RRRRR	RRR	R RRR	R RR
003-14	Y7072X	28 VDC RECEIVER	111	111	1 111	1 11
006-05	Y7072X	28 VDC RECEIVER	111	111	1 111	1 11

~~CONFIDENTIAL~~

GENERAL DYNAMICS | ASTRONAUTICS

REPORT NO. AE60-0653

26 SEPTEMBER 1962

This page intentionally left blank.

THIS MATERIAL CONTAINS INFORMATION AFFECTING THE NATIONAL DEFENSE OF THE UNITED STATES WITHIN THE MEANING OF THE ESPIONAGE LAWS, TITLE 18, U.S.C., SECTIONS 793 AND 794, THE TRANSMISSION OR REVELATION OF WHICH IN ANY MANNER TO AN UNAUTHORIZED PERSON IS PROHIBITED BY LAW.

~~CONFIDENTIAL~~

SECTION 10  
TEST PLAN AND RECORDER ASSIGNMENTS

This section indicates the recorder assignment of each measurement for each block in which the measurement is required. In addition the code of the test objectives supported by each measurement and the measurement priority in regard to each of those objectives are listed after each measurement.

<u>OBJECTIVE CODE</u>			<u>RECORDER ASSIGNMENTS</u>			
Test objectives supported by a measurement are indicated by listing the code of those objectives beneath the measurement.			BLOCK I	BLOCK II	BLOCK III	BLOCK IV
030	N7051X N7051X	COM. STA. 1 ON-OFF	R 1	R 1	R 1	R 1
030	N7052X N7052X	COM. STA. 2 ON-OFF	R 1	R 1	R 1	R 1
	<u>MEASUREMENT NUMBER</u>	<u>MEASUREMENT DESCRIPTION</u>				
			BLOCK I PRIORITY	BLOCK II PRIORITY	BLOCK III PRIORITY	BLOCK IV PRIORITY



**BLANK PAGE**

REPORT NO. OSTF-2 L/L COMP

DATE 26 SEP 62

PAGE 1

VEHICLE SYSTEM	MEASUREMENT NUMBER	TYPE MEASUREMENT	DESCRIPTION	INSTRUMENT / PLACE	MEASUREMENT RANGE		UNITS OF FUNCTION	ACCURACY	RATE OF CHANGE OR FREQUENCY OF FUNCTION	511382
					LOW	HIGH				
A 7541	A		ACCEL MSL X AXIS	F	M.5	.5	G	5%	30	
A 7542	A		ACCEL MSL Y AXIS	F	M.5	.5	G	5%	30	
A 7828	D		MISSILE NOSE X AXIS	F	M1.5	1.5	DEG	5%	5	
A 7829	D		MISSILE NOSE Y AXIS	F	M1.5	1.5	DEG	5%	5	
A 1217	P		HEAT SHIELD DP Q2	F	M1	1	PID	.05	30	X
A 1218	P		HT SHLD DP Y-Y AXIS	F	M1	1	PID	.05	30	X
A 1219	P		HEAT SHIELD DP Q1	BF	M1	1	PID	.05	30	X X
A 1220	P		HEAT SHIELD DP Q3	BF	M1	1	PID	.05	30	X X
A 1585	P		HT SHIELD INSIDE 1	F	0	25	PIA	1	500	X X
A 1586	P		HT SHIELD INSIDE 2	F	0	25	PIA	1	500	X X
A 7533	S		BEND AT STA 900 #1	F	0	5K	PIA	250		
A 7534	S		BEND AT STA 900 #2	F	0	5K	PIA	250		
A 7535	S		BEND AT STA 900 #3	F	0	5K	PIA	250		
A 7536	S		BEND AT STA 900 #4	F	0	5K	PIA	250		
A 7537	S		BEND AT STA 1100 #1	F	0	10K	PIA	500		
A 7538	S		BEND AT STA 1100 #2	F	0	10K	PIA	500		
A 7539	S		BEND AT STA 1100 #3	F	0	10K	PIA	500		
A 7540	S		BEND AT STA 1100 #4	F	0	10K	PIA	500		
A 7820	S		BEND AT STA 900 #5	F	0	5K	PIA	250		
A 7821	S		BEND AT STA 900 #6	F	0	5K	PIA	250		
A 7822	S		BEND AT STA 900 #7	F	0	5K	PIA	250		
A 7823	S		BEND AT STA 900 #8	F	0	5K	PIA	250		
A 7824	S		BEND AT STA 1100 #5	F	0	10K	PIA	500		
A 7825	S		BEND AT STA 1100 #6	F	0	10K	PIA	500		
A 7826	S		BEND AT STA 1100 #7	F	0	10K	PIA	500		
A 7827	S		BEND AT STA 1100 #8	F	0	10K	PIA	500		
A 1194	T		HT SHLD FWD Q IV	BF	0	1000	DGF	5 SLO		X X X

VEHICLE SYSTEM	MEASUREMENT NUMBER	TYPE MEASUREMENT	DESCRIPTION	R.M./DC	SIGNALS / FEEDS	CABLE / CHANNEL	MEASUREMENT RANGE		UNITS OF FUNCTION	ACCURACY	RATE OF CHANGE OR FREQUENCY OF FUNCTION	51133		
							LOW	HIGH						
A 1195	T		HT SHLD FWD Q II	BF			0	1000	DGF	5 SLO		X	X	X
A 7901	T		ROTARY INV SKIN	S			30	120	DGF	SLO				
A 7902	T		ARMA PLAT SKIN FWD	S			30	120	DGF	SLO				
A 7902	T		ARMA PLAT SKIN AFT	S			30	120	DGF	SLO				
A 7904	T		ARMA CONTROL SKIN	S			30	120	DGF	SLO				
A 7905	T		TLM XMTR SKIN	S			30	120	DGF	SLO				
A 7906	T		ROTARY INV AMB AIR	S			30	120	DGF	SLO				
A 7907	T		AFMA PLAT AMB AIR	S			40	75	DGF	.5 SLO				
A 7908	T		ARMA CONT AMB AIR	S			30	120	DGF	SLO				
A 7909	T		TLM XMTR AMB AIR	S			30	120	DGF	SLO				
A 7911	T		B2 POD INLET AIR	S			30	120	DGF	SLO				
A 7912	T		AIG POD INNER SKIN	S			30	120	DGF	SLO				
A 1780	Y		ARMA POD ACOUST	N			115	155	DB	5% 20K		X	X	X
E 7003	V		28 VDC GND VOLTAGE	F			0	35	VDC	5% 25			X	
E 7004	V		400 CPS GND VOLTAGE	F			0	130	VAC	5% 25				
E 7005	V		28 VDC A/B VOLTAGE	S			0	35	VDC	5% 100			X	
E 7006	V		400 CPS INVERTER OUT	F			0	130	VAC	5% 25			X	
E 7007	V		440 V IN TO DC SUP				0	500	VAC	5% 25				
E 7010	V		115V 60 CPS GND VOLT	O			100	120	VAC	5% 25			X	
F 7001	P		LOX TANK PRESSURE	BS			0	35	PIG	.5 20		X	X	X
F 7003	P		FUEL TANK PRESSURE	BS			0	75	PIG	1 20		X	X	X
F 7005	P		FUL TK PRES DUCT PCU	BS			0	75	PIG	2 20		X	X	X
F 7006	P		FUL TK PRES DUCT ROD	F			0	75	PIG	1.5 20				
F 7012	P		LOX TK PRES DUCT PCU	BS			0	35	PIG	.5 20		X	X	X
F 7013	P		LOX TK PRES DUCT ROD	F			0	35	PIG	.5 20				
F 7020	P		LN2 P @ ROD	F			0	100	PIG	2				
F 7056	P		GN2 H PRESS MANIFOLD	F			0	5000	PIG	100 750				
F 7057	P		GN2 PRES VLV N-2 INL	F			0	5000	PIG	100 750				
F 7058	P		GN2 PRES VLV N-2 OUT	F			0	200	PIA	4 750				

REPORT NO. OSTF-2 L/L COMP

DATE 26 SEP 62

PAGE 3

SPACECRAFT SYSTEM	MEASUREMENT NUMBER	TYPE MEASUREMENT	DESCRIPTION	TLW / MC / MARGARIN / TRACE / CONN / PIN / CRANKER	MEASUREMENT RANGE		UNITS OF FUNCTION	ACCURACY	RATE OF CHANGE OF MEASUREMENT OF FUNCTION	571183
					LOW	HIGH				
F 7059	P		LOX STOR TK ULLAGE	F	0	200	PIA	4	750	
F 1145	P		S CTL HE BOTTLE DISC	FS	0	3250	PIA	65	10	X X X
F 7145	P		S CTL HE BTL DISCH	S	0	3500	PIG	76	SLO	
F 7246	P		B TANK HE BOTTLES HI	S	0	3500	PIG	70	SLO	
F 7713	P		A/B LN2 SHROUD	F	0	20	PIG	65		
F 7716	P		GND HEAT XGR HE IN		0	4000	PIG	80	SLO	
F 7717	P		GND HEAT XGR HE OUT		0	4000	PIG	80	SLO	
F 7720	P		LN2 STORE XFER P		0	150	PIG	3	SLO	
F 7723	P		HE SUPPLY #1 @ PDU	F	0	8000	PIG	160		
F 7725	P		GN2 SUPPLY @ PDU	F	0	4000	PIG	80		
F 7727	P		REGULATED INST AIR	F	0	350	PIG	7		
F 7731	P		HE SUP #2 @ TP E	D	0	8000	PIG	160	10	
F 7735	P		HE SUP TO MSL @ HCU	F	0	5000	PIG	100		
F 7737	F		FUL TK HE SENS HCU		0	70	PIG	1.5		
F 7719	R		STORAGE TANK LN2 OUT	F	0	120	GPM	3		
F 7017	T		FUEL TK PRESS DUCT		0	150	DGF	3	SLO	
F 7018	T		LOX TK PRESS DUCT		0	150	DGF	3	SLO	
F 1247	T		O TANK HE BOTTLE	S	M400	M250	DGF	10	SLO	X
F 7248	T		HE TEMP HI 4 BTL	F	M330	100	DGF	2%	SLO	
F 7249	T		HE TEMP LO 4 BTL	F	M330	M200	DGF	2%	SLO	
F 7250	T		HE TEMP LO 2 BTL	F	M330	M200	DGF	2%	SLO	
F 1290	T		S CTL HE BOTTLE	BF	M100	300	DGF	4	SLO	X X X
F 7290	T		S CTL HE BOTTLE	S	M100	300	DGF	4	SLO	
F 7714	T		GND HEAT XGR HE IN		0	100	DGF	2	SLO	
F 7715	T		GND HEAT XGR HE OUT		M350	M200	DGF	2	SLO	
F 7736	T		HE SUP TO MSL @ HCU	F	M250	160	DGF	9		
F 7738	T		FUL TK HE SENS @ HCU	F	M280	160	DGF	9		
F 7745	T		HE SUP TO MSL @ ROD		M350	M300	DGF	1		
H 7987	D		HI DOOR POSITION	D	0	100	DEG	2	SLO	X

VEHICLE ITEM	MEASUREMENT NUMBER	TYPE MEASUREMENT	DESCRIPTION	T/M / MC	SIGNALS / TRACE	COUNT P/M / CHANNELS	MEASUREMENT RANGE		UNITS OF FUNCTION	ACCURACY	SUF BY CHANGE OF MEASUREMENT OF FUNCTION	571193
							LOW	HIGH				
H 7988	D		LO DOOR POSITION	D			0	100	DEG	2 SLO	X	
H 7501	P		HPU B FILL LINE P	F			0	5000	PIG	50 5		
H 7502	P		HPU B RETURN LINE P	F			0	500	PIG	5 5		
H 7503	P		HPU SUS FILL LINE P	F			0	5000	PIG	50 5		
H 7504	P		HPU SUS RET LINE P	F			0	500	PIG	5 5		
H 7507	P		SYSTEMS HYD ACUM	F			0	5000	PIG	100 200	X	
H 7508	P		UPPER DOOR HYD ACUM	F			0	5000	PIG	100 200	X	
H 7509	P		LOWER DOOR HYD ACUM	F			0	5000	PIG	100 200	X	
H 7515	P		HOR CRIB LK CYL HD	F			0	5000	PIG	100 40	X	
H 7516	P		L/P LOCK-LOCKING	F			0	5000	PIG	100 200	X	
H 7527	P		WGE LKS LOCK ROD END	F			0	5000	PIG	100 200	X	
H 7528	P		WEDGE LK LKN CYL END	F			0	5000	PIG	100 200	X	
H 7529	P		L/P BRAKE	S			0	5000	PIG	100 40	X	
H 7969	P		CRIB LOCKS VERT	F			0	5000	PIG	100 40	X	
H 7975	P		LWR DOOR CYL ROD END	F			0	5000	PIG	100 40	X	
H 7976	P		L/P LOCK-UNLOCKING	F			0	5000	PIG	100 200	X	
H 7981	P		UPR DOOR CYL HD END	F			0	5000	PIG	100 40	X	
H 7982	P		LWR DOOR CYL HD END	F			0	5000	PIG	100 40	X	
H 798A	P		UPR DOOR CYL ROD END	F			0	5000	PIG	100 40	X	
H 7181	T		HYD FLUID S PCH ACTR	F			M200	200	DGF	8 SLO		
H 7182	T		HYD FLUID S YAW ACTR	F			M200	200	DGF	8 SLO		
H 7531	T		BOOSTER SYSTEM OIL	F			M50	150	DGF	3 SLO		
H 7532	T		SUST SYSTEM OIL	F			M50	150	DGF	3 SLO		
H 7190	X		H CRIB LK 2 NOT EXT	R			OFF	ON	VDC	STP	X X X	
H 7191	X		HOR CRIB LK #2 RET	R			OFF	ON	VDC	STP	X X X	
H 7192	X		VERT CRIB LK #2 RET	R			OFF	ON	VDC	STP	X X X	
H 7193	X		VERT CRIB LK #2 EXT	R			OFF	ON	VDC	STP	X X X	
H 7194	X		L/P WEDGE LK 3 EXT	R			OFF	ON	VDC	STP	X X X	
H 7195	X		L/P WDG LK 3 NOT RET	R			OFF	ON	VDC	STP	X X X	

REPORT NO. OSTF-2 L/L COMP

DATE 26 SEP 62

PAGE 5

VEHICLE SYSTEM	MEASUREMENT NUMBER	TYPE MEASUREMENT	DESCRIPTION	T/M / MC	SUBCABLE / TRACE	COMM. PWR / CHANNEL	MEASUREMENT RANGE		UNITS OF FUNCTION	ACCURACY	DATE OF CHANGE OF FUNCTION	5 1 1 3 3		
							LOW	HIGH						
H	7196	X	L/P MIN LK 3 NOT EXT	R			OFF	ON	VDC	STP		X	X	X
H	7197	X	L/P MAIN LK #3 RET	R			OFF	ON	VDC	STP		X	X	X
H	7198	X	EXTEND WDG LKS SIG	R			OFF	ON	VDC	STP		X	X	X
H	7199	X	RETRACT WDG LKS SIG	R			OFF	ON	VDC	STP		X	X	X
H	7200	X	EXTEND MIN LKS SIG	R			OFF	ON	VDC	STP		X	X	X
H	7201	X	RETRACT MIN LKS SIG	R			OFF	ON	VDC	STP		X	X	X
H	7202	X	EXTEND HOR LKS SIG	R			OFF	ON	VDC	STP		X	X	X
H	7203	X	RETRACT HOR LKS SIG	R			OFF	ON	VDC	STP		X	X	X
H	7805	X	OPEN UPR DOOR SIG	R			OFF	ON	VDC	STP		X	X	X
H	7806	X	OPEN LWR DOOR SIG	R			OFF	ON	VDC	STP		X	X	X
H	7807	X	L/P LOCK ASSY OPEN	R			OFF	ON	VDC	STP		X	X	X
H	7809	X	RETRACT VER LKS SIG	R			ON	OFF	VDC C	STP		X	X	X
H	7810	X	CLOSE UPR DR SIG	R			ON	OFF	VDC	STP		X	X	X
H	7811	X	CLOSE LWR DR SIG	R			ON	OFF	VDC	STP		X	X	X
H	7812	X	L/P LOCK ASSY CLOSE	R			ON	OFF	VDC	STP		X	X	X
H	7816	X	EXTEND VER LKS SIG	R			ON	OFF	VDC	STP		X	X	X
H	7820	X	HPU START	R			OFF	ON	VDC	STP		X	X	
H	7972	X	PRESS SW RETURN	R			ON	OFF	VDC			X		
I	7515	A	ACCELEROMETER XF1	F			.180		VAC	5K		X	X	X
I	7516	A	ACCELEROMETER YF1	F			.180		VAC	5K		X	X	X
I	7517	A	ACCELEROMETER ZF1	F			.180		VAC	5K		X	X	X
I	7518	A	ACCELEROMETER XF2	F			.180		VAC	5K		X	X	X
I	7519	A	ACCELEROMETER YF2	F			.180		VAC	5K		X	X	X
I	7520	A	ACCELEROMETER ZF2	F			.180		VAC	5K		X	X	X
I	7591	C	PITCH GYRO TORQUE	D			M.5	.5	VDC	10			X	
I	7592	C	ROLL GYRO TORQUE	D			M.5	.5	VDC	10		X	X	X
I	7593	C	YAW GYRO TORQUE	D			M.45	.45	VDC	10		X	X	X
I	7501	D	OPTICAL AZM SIGNAL	D			M.05	.05	VAC	20		X	X	X
I	7511	D	ROLL PENDULUM	D			M.02	.02	VAC	10		X	X	X

VEHICLE SYSTEM	MEASUREMENT NUMBER	TYPE MEASUREMENT	DESCRIPTION	TLM / REC	SIGNALING / TRACE	COUNT / CHANNEL	MEASUREMENT RANGE		UNIT OF FUNCTION	ACCURACY	RATE OF CHANGE OF MEASUREMENT OF FUNCTION OF FUNCTION	5/1183		
							LOW	HIGH						
I	7512	D	PITCH PENDULUM	D			0.02	0.02	VAC	10		X	X	X
I	7549	D	PITCH SERVO ERROR	D				20	VAC	10		X	X	X
I	7550	D	ROLL SERVO ERROR	D				20	VAC	10		X	X	X
I	7551	D	AZIMUTH SERVO ERROR	D				20	VAC	10		X	X	X
I	7552	D	REDNDT GYRO PICK-OFF	DF				5	VDC	20		X	X	X
I	7572	D	ROLL MEMORY	D			0	0.010	VAC	10		X	X	X
I	7573	D	PITCH MEMORY	D				0.010	VAC	10		X	X	X
I	7574	D	AZIMUTH MEMORY	D				0.010	VAC	10		X	X	X
I	7576	D	ZERO LAG OUTPUT I	D				0.030	VAC	20		X	X	X
I	7505	H	COMPUTER POSITION X	F			0	5	VDC	10K		X	X	X
I	7506	H	COMPUTER POSITION Y	F			0	5	VDC	10K		X	X	X
I	7507	H	COMPUTER POSITION Z	F			0	5	VDC	10K		X	X	X
I	7508	H	RANGE ERROR FUNCTION	F			0	5	VDC	10K		X	X	X
I	7509	H	AZM ERROR FUNCTION	F			0	5	VDC	10K		X	X	X
I	7502	L	COMPUTER VELOCITY X	F			0	5	VDC	10K		X	X	X
I	7503	L	COMPUTER VELOCITY Y	F			0	5	VDC	10K		X	X	X
I	7504	L	COMPUTER VELOCITY Z	F			0	5	VDC	10K		X	X	X
I	7538	O	ALIGN GROUP RADIAL	F			M5	5	G	30			X	
I	7539	O	ALIGN GROUP TANG	F			M5	5	G	30			X	
I	7542	O	ALIGN GROUP AXIAL	F			M5	5	G	30			X	
I	7019	T	COMPUTER EXHAUST	S			0	75	DGF	0.5	3LO			
I	7528	V	YAW STEERING SIG	F				5	VDC	20		X	X	X
I	7529	V	ROLL RESOLVER SIG	F				5	VDC	20		X	X	X
I	7530	V	PITCH RESOLVER SIG	F				5	VDC	20		X	X	X
I	7540	V	TEMP CONTROL AMP OUT	F				110	VDC	1				
I	7580	V	AZM RESOLVER SIG	F				5	VDC	20		X	X	X
I	7510	W	ELAPSED TIME	F			0	450	SEC			X	X	X

REPORT NO. OSTF-2 L/L COMP

DATE 26 SEP 62

PAGE 7

VEHICLE SYSTEM	MEASUREMENT NUMBER	TYPE MEASUREMENT	DESCRIPTION	R/W / B/C	LAUNCHER / TRACK	CONV / CHAN / CHAN	MEASUREMENT RANGE		UNITS OF FUNCTION	ACCURACY	RATE OF CHANGE OR FREQUENCY OF FUNCTION	571383		
							LOW	HIGH						
I	7521	X	VERN ENGINE COF SIG	F			0	5	VDC			X	X	X
I	7522	X	S ENGINE COF SIG	F			0	5	VDC			X	X	X
I	7527	X	PRE-ARM RELAY CLOS	F			0	5	VDC			X	X	X
I	7537	X	ELEVATION WARNING	R			OFF	ON	VDC	STP		X	X	X
I	7570	X	STAGING SIGNAL	F			0	5	VDC			X	X	X
I	7611	X	START COUNTDOWN	R			OFF	ON	VDC	STP		X	X	X
I	7612	X	ST FINE ALN-TRG MODE	R			OFF	ON	VDC	STP		X	X	X
I	7613	X	Z AXIS VERT-FINE ALN	R			OFF	ON	VDC	STP		X	X	X
I	7614	X	FINE ALMNT COMPLETE	R			OFF	ON	VDC	STP		X	X	X
I	7615	X	COMPUTER TEST COMP	R			OFF	ON	VDC	STP		X	X	X
I	7616	X	START X ACCEL OFFSET	R			OFF	ON	VDC	STP		X	X	X
I	7617	X	ACCEL TEST COMPLETE	R			OFF	ON	VDC	STP		X	X	X
I	7618	X	IGS READY	R			OFF	ON	VDC	STP		X	X	X
I	7619	X	GO INERTIAL COMMAND	R			OFF	ON	VDC	STP		X	X	X
I	7620	X	MGS INERTIAL	R			OFF	ON	VDC	STP		X	X	X
I	7621	X	ZERO Z ACC COMPLETE	R			OFF	ON	VDC	STP		X	X	X
I	7622	X	SCALE X PLUS 13	R			OFF	ON	VDC	STP		X	X	X
I	7623	X	SCALE X MINUS 13	R			OFF	ON	VDC	STP		X	X	X
I	7624	X	HOLD COUNTDOWN	R			OFF	ON	VDC	STP		X	X	X
I	7625	X	RETURN TO READY REG	R			OFF	ON	VDC	STP		X	X	X
I	7626	X	RETURN TO READY COMP	R			OFF	ON	VDC	STP		X	X	X
I	7627	X	GO ON VERT MEMORY	R			OFF	ON	VDC	STP		X	X	X
I	7628	X	GO ON AZIMUTH MEMORY	R			OFF	ON	VDC	STP		X	X	X
I	7630	X	GYRO A IN BAND	R			OFF	ON	VDC	STP		X	X	X
I	7631	X	GYRO B IN BAND	R			OFF	ON	VDC	STP		X	X	X
L	7009	N	LAUNCHER CAM X AXIS											
L	7010	N	LAUNCHER CAM B2 SIDE											
L	7011	N	RISE OFF DISC CAMERA											
L	7012	N	UMBILICAL CAMERA											
L	7013	P	FLAME DEFLECT AMB 1	F			0	25	PIA	1 100		X	X	



PARTIAL SYSTEM IDENTIFICATION NUMBER	TYPE IDENTIFICATION	DESCRIPTION	ENV./M.C. REQUIREMENT PLACE	MEASUREMENT RANGE		TYPE OF FUNCTION	ACCURACY	LIFE OR CHANGE OF FUNCTION	571183
				LOW	HIGH				
L 7014	P	FLAME DEFLECT AMB 2	F	0	25	PIA	1 100		X X
L 7015	P	FLAME DEFLECT AMB 3	F	0	25	PIA	1 100		X X
L 7016	P	FLAME DEFLECT AMB 4	F	0	25	PIA	1 100		X X
L 7601	P	HT SHIELD OUTSIDE 1	F	0	25	PIA	1 500		X X
L 7602	P	HT SHIELD OUTSIDE 2	F	0	25	PIA	1 500		X X
L 7005	T	LAUNCHER FRAME	S	0	1200	DGF	36 SLO		
L 7006	T	LAUNCHER FRAME	S	0	1200	DGF	36 SLO		
M 7604	N	FOR LIFT OFF CAM							X X
M 7605	N	AFT LIFT OFF CAM							X
N 7542	A	CRIB ACCELERATION 1	F	M4	4	G	.2 100		
N 7543	A	CRIB ACCELERATION 2	F	M4	4	G	.2 100		
N 7741	A	CRIB ACCELERATION 3	F	M4	4	G	.2 100		
N 7742	A	CRIB ACCELERATION 4	F	M4	4	G	.2 100		
N 7743	A	CRIB ACCELERATION 5	F	M4	4	G	.2 100		
N 7744	A	CRIB ACCELERATION 6	F	M4	4	G	.2 100		
N 7829	A	SILO-L/P ACCEL #1	O	M50	50	G	2.5 2K		X
N 7830	A	SILO-L/P ACCEL #2	O	M50	50	G	2.5 2K		X
N 7831	A	SILO-L/P ACCEL #3	O	M50	50	G	2.5 2K		X
N 7832	A	SILO-L/P ACCEL #4	O	M50	50	G	2.5 2K		X
N 7833	A	SILO-L/P ACCEL #5	O	M50	50	G	2.5 2K		X
N 7834	A	SILO-L/P ACCEL #6	O	M50	50	G	2.5 2K		X
N 7835	A	CRIB ACCELERATION 7	O	M20	20	G	1 2K		X
N 7836	A	CRIB ACCELERATION 8	O	M20	20	G	1 2K		X
N 7837	A	CRIB ACCELERATION 9	O	M20	20	G	1 2K		X
N 7838	A	CRIB ACCELERATION 10	O	M20	20	G	1 2K		X
N 7839	A	CRIB ACCELERATION 11	O	M5	5	G	.25 2K		X
N 7840	A	CRIB ACCELERATION 12	O	M5	5	G	.25 2K		X
N 7842	A	SILO L/P ACCEL 21		M5	5	G	3% 100		
N 7843	A	SILO L/P ACCEL 22		M5	5	G	3% 100		

VEHICLE SYSTEM	MEASUREMENT NUMBER	DESCRIPTION	TIME / INC	INDICATOR / TRACE	CORE / PIN / CHANNEL	MEASUREMENT RANGE		UNITS OF FUNCTION	ACCURACY	SCALE OF CHANNEL OR INDICATOR OF FUNCTION	S	I	T	R	
						LOW	HIGH								
N 7844	A	SILO L/P ACCEL Z3				M5	5	G	3%	100					
N 7845	A	SILO L/P ACCEL Z4				M5	5	G	3%	100					
N 7846	A	SILO L/P ACCEL X1				M5	5	G	3%	100					
N 7847	A	SILO L/P ACCEL X2				M20	20	G	3%	2K					
N 7848	A	SILO L/P ACCEL Y1				M5	5	G	3%	100					
N 7849	A	SILO L/P ACCEL Y2				M20	20	G	3%	2K					
N 7912	A	CTRWEIGHT VERT ACCEL				0	2	G		5					
N 7913	A	CTRWEIGHT LAT ACCEL				0	.5	G		5					
N 7914	A	CTRWEIGHT TRANS ACC				0	.5	G		5					
N 7803	B	L/P DRIVE MOTOR RPM	S			0	1800	RPM	1%	SLO	X	X	X		
N 7975	C	29 VDC CURRENT	F					AMP	10%						
N 7900	D	CRIB UPPER DEFL #1				0	1	IN	.4	2					
N 7901	D	CRIB UPPER DEFL #2				0	1	IN	.4	2					
N 7902	D	CRIB UPPER DEFL #3				M8	8	IN	.4	2					
N 7903	D	CRIB UPPER DEFL #4				M8	8	IN	.4	2					
N 7904	D	CRIB LOWER DEFL #1				M8	8	IN	.4	2					
N 7905	D	CRIB LOWER DEFL #2				M8	8	IN	.4	2					
N 7906	D	CRIB LOWER DEFL #3				M8	8	IN	.4	2					
N 7907	D	CRIB LOWER DEFL #4				M8	8	IN	.4	2					
N 7908	D	L/P DISPLACEMENT	S			0	140	FT		2	X	X	X		
N 7917	D	VERTICAL LOCK POS A				0	10	IN							
N 7918	D	VERTICAL LOCK POS B				0	10	IN							
N 7919	D	VERTICAL LOCK POS C				0	10	IN							
N 7920	D	VERTICAL LOCK POS D				0	10	IN							
N 7935	D	TENSION EQUALIZER				0	6	IN		100					
N 7805	E	DRIVE SYS PWR 3 PH				0	350	KW	2%	SLO					
N 7911	E	MOTOR POWER	F			0	500	V		60					
N 7952	E	HI-LINE POWER	F					E	10%						

VEHICLE SYSTEM	MEASUREMENT NUMBER	TYPE MEASUREMENT	DESCRIPTION	UNITS / RANGE / RANGE	MEASUREMENT RANGE	LIMITS OF PRECISION	ACCURACY	SCALE OF CHANGE OR FREQUENCY OF MEASUREMENT	571181			
									LOW	HIGH		
N 7953	E		INSTR-BLDG POWER	F		E	10%					
N 7954	E		UTILITY-BLDG POWER	F		E	10%					
N 7974	E		400 CYCLE POWER	F		E	10%					
N 7874	F		DRIVE MOTOR TORQUE	S	M6K 8.5K	1LB	1%	SLO	X	X	X	
N 7532	I		LIGHT INTENSITY		0 500	FC	1.0					
N 7046	J		B1 INLET AIR REL HUM		0 100	%	1	SLO				
N 7685	J		SILO UPPER RH	P	0 100	%	2	SLO				
N 7800	J		MSL COMPARTMENT RH	P	0 100	%	2	SLO				
N 7802	J		SILO LOWER RH	P	0 100	%	2	SLO				
N 7980	L		7 IN MOTION UP FAST	F	0 3	IN	1%					
N 7981	L		7 IN MOTION UP SLOW	F	0 1	IN	1%					
N 7982	L		7 IN MOTION DOWN SLO	F	0 1	IN	1%					
N 7544	N		CRIB MOTION CAMERA 1		0 8	IN	.25					
N 7545	N		CRIB MOTION CAMERA 2		0 8	IN	.25					
N 7747	N		TV CAMERA 1						X	X	X	
N 7748	N		TV CAMERA 2						X	X	X	
N 7749	N		TV CAMERA 3						X	X	X	
N 7750	N		TV CAMERA 4						X	X	X	
N 7751	N		TV CAMERA 5						X	X	X	
N 7752	N		TV CAMERA 6						X	X	X	
N 7753	N		TV CAMERA 7						X	X	X	
N 7754	N		LAUNCH CONSOLE RH			FPS			X	X	X	
N 7755	N		LAUNCH CONSOLE LH			FPS			X	X	X	
N 7983	N		ALIN GRP TILT CAMERA						X	X	X	
N 7035	P		TANK DIFFERENTIAL P	V	0 5	PID			X	X	X	
N 7230	P		CRIB AMB PRESS #1	F	0 25	P/A	1 10		X	X		

REPORT NO. OSTF-2 L/L COMP

DATE 26 SEP 62

PAGE 11

VEHICLE SYSTEM	MEASUREMENT NUMBER	TYPE MEASUREMENT	DESCRIPTION	UNIT / INC	SCALE / RANGE	TELETYPE / CHANNEL	MEASUREMENT RANGE		UNITS OF FUNCTION	ACCURACY	RATE OF CHANGE OR FREQUENCY OF FUNCTION	571383	
							LOW	HIGH					
N 7231	P		CRIB AMB PRESS #2	F			0	25	PIA	1	10	X	X
N 7232	P		CRIB AMB PRESS #3	F			0	25	PIA	1	10	X	X
N 7233	P		CRIB AMB PRESS #4	F			0	25	PIA	1	10	X	X
N 7234	P		CRIB AMB PRESS #5	F			0	25	PIA	1	10	X	X
N 7235	P		CRIB AMB PRESS #6	F			0	25	PIA	1	10	X	X
N 7330	P		LOX TOPG TANK LEVEL	S			0	15	PID	5%	SLO		
N 7050	R		AIG AIR FLOW IN QII	F			100	400	CFM	15	SLO		
N 7155	R		AIG AIR FLOW IN QIII	F			200	500	CFM	15	SLO		
N 7654	R		GO2 VENT				0	10K	CFM	300	SLO		
N 7655	R		EF 40: 41 EXHAUST				0	13K	CFM	400	SLO		
N 7656	R		EF 30 EXHAUST				0	35K	CFM	1K	SLO		
N 7756	S		CRIB LOAD CELL #1	F			0	150	KIP	5%	20		
N 7757	S		CRIB LOAD CELL #2	F			0	150	KIP	5%	20		
N 7758	S		CRIB LOAD CELL #3	F			0	150	KIP	5%	20		
N 7759	S		CRIB LOAD CELL #4	F			0	150	KIP	5%	20		
N 7923	S		CABLE STRAIN PORT				0	100	KPS	2%	SLO		
N 7958	S		FACIL MSL SPRG ST Q1				M20	155	KPS		100		
N 7959	S		FACIL MSL SPRG ST Q2				M20	155	KPS		100		
N 7960	S		FACIL MSL SPRG ST Q3				M20	155	KPS		100		
N 7961	S		FACIL MSL SPRG ST Q4				M20	155	KPS		100		
N 7962	S		LOAD CELL QUAD 1 L/P	F			M20	155	KPS		100		
N 7963	S		LOAD CELL QUAD 2 L/P	F			M20	155	KPS		100		
N 7964	S		LOAD CELL QUAD 3 L/P	F			M20	155	KPS		100		
N 7965	S		LOAD CELL QUAD 4 L/P	F			M20	155	KPS		100		
N 7032	T		GUIDANCE POD EXHAUST	S			40	75	DGF		SLO		
N 7048	T		AIG POD INLET QII	S			40	90	DGF	.5	SLO		
N 7154	T		B1 AIR AT RH MEAS	S			40	90	DGF	.5	SLO		
N 7156	T		AIG POD INLET QIII	S			40	90	DGF	.5	SLO		
N 7159	T		VENT SYS GOX @ ELBO	S			M380	M80	DGF	6	SLO		

REPORT NO. OSTF-2 L/L COMP

VEHICLE	SYSTEM	INSTALLATION NUMBER	TYPE MEASUREMENT	DESCRIPTION	T/M / MC	ENCLOSURE / FLASK	COUNT / CALIBRATION	MEASUREMENT RANGE		UNITS OF FUNCTION	ACCURACY	RATE OF CHANGE OR RESERVE OF FUNCTION	S 71383
								LOW	HIGH				
N 7160	T			VMT SYS GOX @ FAN IN	S			M380	M80	DGF	6	SLO	
N 7161	T			VMT SYS GOX @ GAT IN	S			M300	300	DGF	12	SLO	
N 7579	T			AIR DUCT IN	T			0	200	DGF	2.5		
N 7580	T			AIR DUCT OUT	T			0	200	DGF	2.5		
N 7581	T			SILO Q II LVL-1	T			0	200	DGF	2.5		
N 7582	T			SILO Q II LVL-2	T			0	200	DGF	2.5		
N 7583	T			SILO Q II LVL-3	T			0	200	DGF	2.5		
N 7584	T			SILO Q II LVL-4	T			0	200	DGF	2.5		
N 7585	T			SILO Q II LVL-5	T			0	200	DGF	2.5		
N 7586	T			SILO Q II LVL-6	T			0	200	DGF	2.5		
N 7587	T			SILO Q II LVL-7	T			0	200	DGF	2.5		
N 7588	T			SILO Q II LVL-8	T			0	200	DGF	2.5		
N 7589	T			HT REC WATER IN	D			50	250	DGF	10	SLO	
N 7590	T			ELEC BLR WATER OUT	D			50	250	DGF	10	SLO	
N 7597	T			MSL COMP LVL-1	T			0	200	DGF	2.5		
N 7598	T			MSL COMP LVL-2	T			0	200	DGF	2.5		
N 7599	T			MSL COMP LVL-3	T			0	200	DGF	2.5		
N 7600	T			MSL COMP LVL-4	T			0	200	DGF	2.5		
N 7601	T			MSL COMP LVL-5	T			0	200	DGF	2.5		
N 7602	T			MSL COMP LVL-6	T			0	200	DGF	2.5		
N 7603	T			MSL COMP LVL-7	T			0	200	DGF	2.5		
N 7604	T			MSL COMP LVL-8	T			0	200	DGF	2.5		
N 7605	T			DUST SEP AIR OUT	T			0	200	DGF	2.5		
N 7606	T			COOLING TOWER H2O IN	T			0	200	DGF	2.5		
N 7607	T			MSL COMP AIR SUPPLY	T			0	200	DGF	2.5		
N 7620	T			H2O HEAT RECLAIMER	D			50	250	DGF	4		
N 7621	T			ELEC EQUIP AIR IN #1	P			0	200	DGF	3	SLO	
N 7622	T			ELEC EQUIP AIR IN #2	P			25	125	DGF	3	SLO	
N 7623	T			ELEC EQUIP AIR IN #3	P			25	125	DGF	3	SLO	
N 7624	T			ELEC EQUIP AIR IN #4	P			25	125	DGF	3	SLO	
N 7625	T			ELEC EQUIP AIR IN #5	P			25	125	DGF	3	SLO	
N 7626	T			ELEC EQUIP AIR OUT#1	P			25	125	DGF	3	SLO	

VEHICLE SYSTEM	MEASUREMENT NUMBER	TYPE MEASUREMENT	DESCRIPTION	P/W / MC	MEASURABLE / RANGE	COMM. PORT / CHANNEL	MEASUREMENT RANGE		UNITS OF FUNCTION	ACCURACY	TYPE OF CHANGE OR RELOCATION OF FUNCTION	571383		
							LOW	HIGH						
N 7627	T		ELEC EQUIP AIR OUT#2	P			25	125	DGF	3	SLO			
N 7628	T		ELEC EQUIP AIR OUT#3	P			25	125	DGF	3	SLO			
N 7629	T		ELEC EQUIP AIR OUT#4	P			25	125	DGF	3	SLO			
N 7630	T		ELEC EQUIP AIR OUT#5	P			25	125	DGF	3	SLO			
N 7641	T		POD AIR COND H2O IN	D			30	120	DGF	3	SLO			
N 7642	T		POD AIR COND H2O OUT	D			30	120	DGF	3	SLO			
N 7643	T		CC 10 COLD H2O OUT	T			0	200	DGF	3	SLO			
N 7644	T		CC 40 COLD H2O OUT	T			0	200	DGF	3	SLO			
N 7645	T		CC 41 COLD H2O OUT	T			0	200	DGF	3	SLO			
N 7646	T		HC 40 HOT H2O IN	T			0	200	DGF	3	SLO			
N 7647	T		HC 40 HOT H2O OUT	T			0	200	DGF	3	SLO			
N 7649	T		WCU 50 H2O OUT	T			0	200	DGF	3	SLO			
N 7650	T		WCU 50. 51 H2O IN	T			0	200	DGF	3	SLO			
N 7651	T		LCC CO'D H2O OUT	S			0	200	DGF	3	SLO			
N 7652	T		G02 VENT AT A & E	S			M300	100	DGF	12	SLO			
N 7653	T		G02 VENT AT BLAST DR	S			M300	100	DGF	12	SLO			
N 7746	T		COOLING TWR H2O OUT	S			0	200	DGF	2.5				
N 1870	V		TRL WIRE NOISE 1	F			0	10	MV	2%	200	X	X	X
N 7002	X		SELECT A BUTTON	R			OFF	ON	VDC	STP		X	X	X
N 7003	X		SELECT B BUTTON	R			OFF	ON	VDC	STP		X	X	X
N 7024	X		START BUTTON	R			OFF	ON	VDC	STP		X	X	X
N 7028	X		COMMIT START BUTTON	R			OFF	ON	VDC	STP		X	X	X
N 7030	X		ALARM RESET SWITCH	R			OFF	ON	VDC	STP		X	X	X
N 7042	X		START ABORT SWITCH	R			OFF	ON	VDC	STP		X	X	X
N 7046	X		SILO DOORS OPEN	R			OFF	ON	VDC	STP		X	X	X
N 7047	X		SILO DOORS CLSD	R			OFF	ON	VDC	STP		X	X	X
N 7048	X		PAD HTR 2 RATE GYRO	R			OFF	ON	VDC	STP		X		
N 7051	X		COM STA 1 ON-OFF	R			ON	OFF	VDC	STP				
N 7052	X		COM STA 2 ON-OFF	R			ON	OFF	VDC	STP				
N 7053	X		COM STA 3 ON-OFF	R			ON	OFF	VDC	STP				

REPORT NO. AE60-0653

SECTION 10

26 SEPTEMBER 1962

GENERAL DYNAMICS | ASTRONAUTICS

REPORT NO. OSTF-2 L/L COMP

DATE 26 SEP 62

PAGE 14

VEHICLE SYSTEM	MEASUREMENT NUMBER	TYPE MEASUREMENT	DESCRIPTION	REL / INC	SCALE	MEASURED RANGE		UNITS OF FUNCTION	ACCURACY	RANGE OF CHANGE OR FREQUENCY OF FUNCTION	571383
						LOW	HIGH				
N 7054	X		COM STA 4 ON-OFF	R		ON	OFF	VDC	STP		
N 7055	X		COM STA 5 ON-OFF	R		ON	OFF	VDC	STP		
N 7056	X		COM STA 6 ON-OFF	R		ON	OFF	VDC	STP		
N 7057	X		COM STA 7 ON-OFF	R		ON	OFF	VDC	STP		
N 7058	X		COM STA 8 ON-OFF	R		ON	OFF	VDC	STP		
N 7059	X		COM STA 9 ON-OFF	R		ON	OFF	VDC	STP		
N 7060	X		COM STA 10 ON-OFF	R		ON	OFF	VDC	STP		
N 7061	X		COM STA 11 ON-OFF	R		ON	OFF	VDC	STP		
N 7062	X		COM STA 12 ON-OFF	R		ON	OFF	VDC	STP		
N 7063	X		COM STA 13 ON-OFF	R		ON	OFF	VDC	STP		
N 7064	X		COM STA 14 ON-OFF	R		ON	OFF	VDC	STP		
N 7065	X		COM STA 15 ON-OFF	R		ON	OFF	VDC	STP		
N 7066	X		COM STA 16 ON-OFF	R		ON	OFF	VDC	STP		
N 7067	X		COM STA 17 ON-OFF	R		ON	OFF	VDC	STP		
N 7068	X		COM STA 18 ON-OFF	R		ON	OFF	VDC	STP		
N 7069	X		COM STA 19 ON-OFF	R		ON	OFF	VDC	STP		
N 7070	X		COM STA 20 ON-OFF	R		ON	OFF	VDC	STP		
N 7162	X		LOX/GOX @ VENT FAN	R		OFF	ON	VDC	STP		
N 7163	X		LOX/GOX @ VENT FAN	R		OFF	ON	VDC	STP		
N 7500	X		ZONE CHECK LS CLS	R		ON	OFF	VDC	STP	X	X
N 7501	X		1000 IN LS CLS	R		ON	OFF	VDC	STP	X	X
N 7502	X		HI SPD DECEL S. CLS	R		ON	OFF	VDC	STP	X	X
N 7503	X		UPR OSPD ZONE LS CLS	R		ON	OFF	VDC	STP	X	X
N 7504	X		OVRSPD SEN ENLR	R		ON	OFF	VDC	STP	X	X
N 7505	X		BOILOFF VLV CLRD	R		ON	OFF	VDC	STP	X	X
N 7506	X		DIFF PRESS NOT LOW	R		ON	OFF	VDC	STP	X	X
N 7507	X		M/L COMMIT START	R		ON	OFF	VDC	STP	X	X
N 7508	X		AUTOMATIC	R		ON	OFF	VDC	STP	X	X
N 7509	X		RDY FOR COMMIT	R		ON	OFF	VDC	STP	X	X
N 7510	X		PWR TO INTERNAL	R		ON	OFF	VDC	STP	X	X
N 7511	X		PWR TO EXTERNAL	R		ON	OFF	VDC	STP	X	X
N 7512	X		COMMIT LOCKUP	R		ON	OFF	VDC	STP	X	X





VEHICLE SYSTEM	MEASUREMENT NUMBER	TYPE MEASUREMENT	DESCRIPTION	TANK / REC / LOCATIONS / PLACE / CHANNEL	MEASUREMENT RANGE		UNIT OR FUNCTION	ACCURACY	RATE OF CHANGE OR FREQUENCY OF FLUCTUATION	571383
					LOW	HIGH				
N	7076	Y	COM SYS VOICE REC 5	A						
N	7077	Y	COM SYS VOICE REC 6	A						
N	7078	Y	COM SYS VOICE REC 7	A						
N	7079	Y	COM SYS VOICE REC 8	A						
N	7080	Y	COM SYS VOICE REC 9	A						
N	7081	Y	COM SYS VOICE REC 10	A						
N	7533	Y	SOUND INTENSITY	A	24	140	DB	1.0		
P	7137	B	B1 PUMP SPEED LO	F	0	200	RPM	5% 1KC		
P	7138	B	B2 PUMP SPEED LO	F	0	200	RPM	5% 1KC		
P	1529	D	S MAIN LOX VLV	F	0	90	DEG	2 SLO	X	
P	1830	D	S FUEL VLV POS	D	18	46	DEG	1 SLO	X	
P	1206	O	S ENG LOX DOME	F	M80	80	G	4 2KC	X X X	
P	1208	O	B1 ENG LOX DOME	F	M80	80	G	4 2KC	X X X	
P	1209	O	B2 ENG LOX DOME	F	M80	80	G	4 2KC	X	
P	1002	P	B1 FUEL PUMP INLET	FS	0	150	PIA	3 1KC	X X X	
P	7002	P	B1 FUEL PUMP INLET	F	0	100	PIG	2 SLO		
P	1006	P	S THRUST CHAMBER	DF	0	1000	PIA	20 SLO	X X X	
P	1038	P	B2 FUEL PUMP DISC	FS	0	1000	P:G	20 100	X X X	
P	1039	P	B1 FUEL PUMP DISC	F	0	1000	PIG	20 100	X X X	
P	7053	P	S FUEL PUMP INLET	F	0	100	PIG	2 SLO		
P	1056	P	S LOX PUMP INLET	F	0	150	PIG	3 SLO	X X X	
P	1059	P	B2 THRUST CHAMBER	DF	0	600	PIG	20 1KC	X X X	
P	1060	P	B1 THRUST CHAMBER	DF	0	600	PIG	20 1KC	X X X	
P	1091	P	B1 LOX INJ MANIFOLD	F	0	1500	PIG	30 1KC	X X X	
P	1092	P	B2 LOX INJ MANIFOLD	F	0	1500	PIG	30 1KC	X X X	
P	7105	P	TCU CTL MANIFOLD	F	0	1200	PIG	24 SLO		
P	7106	P	TCU INLET LOX PRESS	#	0	200	PIG	4 10		
P	7107	P	TCU LOX FILTER IN	F	0	200	PIG	4 10		

REPORT NO. OSTF-2 L/L COMP

DATE 26 SEP 62

PAGE 17

VEHICLE SYSTEM	MEASUREMENT NUMBER	TYPE MEASUREMENT	DESCRIPTION	UNITS / RANGE / TRACE	MEASUREMENT RANGE		UNITS OF FUNCTION	ACCURACY	SCALE OF CHANGE OF FREQUENCY OF FUNCTION	5 1 1 3 8
					LOW	HIGH				
P 7108	P		LOX L/P DISC IN PRES	F	0	200	PIG	4	10	X
P 7135	P		MAIN LOX LN DRAIN PR	F	0	200	PIG	4	10	
P 1135	P		B1 GAS GEN COMBUSTOR	F	0	1000	PIG	20	SLO	X X X
P 1184	P		B2 GAS GEN COMBUSTOR	F	0	1000	PIG	20	SLO	X X X
P 1200	P		ENG COMP AMBIENT	F	0	20	PIA	0.5	100	X
P 7306	P		B2 FUEL PUMP INLET	F	0	100	PIA	2	SLO	
P 1337	P		S GG LOX INJ MANFOLD	F	0	1000	PIG	20	SLO	X X X
P 1351	P		S LOX INJ MANIFOLD	F	0	1500	PIG	30	SLO	X X X
P 1463	P		SGG FUEL INJ MAN	F	0	1000	PIA	15	SLO	X
P 7546	P		GN2 STORAGE TK DISCH	F	0	5000	PIG	100	SLO	
P 7549	P		LOX STORAGE TANK ULL	S	0	200	PIG	4	SLO	X X X
P 7564	P		LOX ST TK TO MSL DP	S	0	27	PID	120	SLO	X X X
P 7565	P		LOX XFER LINE TO MSL	F	0	200	PIG	4	SLO	
P 7567	P		FUEL LVL TANK ULLAGE	F	0	75	PIG	1	SLO	
P 7578	P		LOX IN TO ELEV DISC	F	0	200	PIG	4	SLO	X
P 7682	P		DP ON LOX TANK	F	0	2	PID	0.04	SLO	
P 7688	P		GND FUEL PUMP OUT		0	150	PIG	5	SLO	
P 7689	P		GND FUEL PUMP IN		0	100	PIG	2	SLO	
P 7690	P		GND FUEL FILTER DP	F	0	25	PID	0.5	SLO	
P 7691	P		FUEL FILL LINE IN	F	0	100	PIG	2		
P 7692	P		FUL FILL @ ELEV DISC	F	5	125	PIG	2	5	
P 7693	P		FUEL FILL LINE @ ROD	F	5	125	PIG	2	5	
P 7696	P		LOX TOP LINE ROD	F	0	200	PIG	4	SLO	
P 7697	P		MAIN LOX LINE @ ROD		0	200	PIG	10	5	
P 7699	P		MAIN LOX FILTER DP	D	0	25	PID	0.5	SLO	X X
P 7700	P		LOX RAPID LD VLV DP	F	0	25	PID	0.5	SLO	
P 7701	P		LOX FINE LD VLV DP	F	0	25	PID	0.5	SLO	
P 7706	P		LOX DRAIN VLV DP	F	0	10	PID	0.2	SLO	
P 7707	P		LOX FILL FILTER DP	F	0	10	PID	0.2	SLO	
P 7709	P		LOX TOP TK ULLAGE	FS	0	200	PIG	4	SLO	X X X
P 7710	P		GND LOX TK PRESS LN	F	0	200	PIG	4		
P 7711	P		LOX TOP TK PRESS LN	F	0	200	PIG	4		

VEHICLE SYSTEM	MEASUREMENT NUMBER	TYPE MEASUREMENT	DESCRIPTION	M / MC MEASUREMENT / MISC	CORR / CHANGE	MEASUREMENT RANGE		UNITS OF MEASUREMENT	ACCURACY	SCALE OF CHANGE OR RESOLUTION OF FUNCTION	571183
						LOW	HIGH				
P 7907	P		B1 LOX PUMP INLET	F		0	200	PIA	2%	12C	
P 7909	P		FUEL VLV F1 INLET	F		0	100	PIG	2	SLO	
P 7911	P		FUEL PRESN TK DISCH	F		0	5000	PIG	100	SLO	
P 7913	P		LOX FINE LV L1 IN	F		0	300	PIG	4	10	X
P 7914	P		LOX RAPID LV L2 IN	F		0	300	PIG	4	10	
P 7915	P		LOX DRAIN VLV L16 IN	F		0	300	PIG	4	10	
P 7916	P		LOX DRN VLV L16 OUT	F		0	300	PIG	4	10	
P 7917	P		LOX STOR TK FV L7 IN	F		0	150	PIG	4	10	
P 7918	P		LOX FILTER L19 IN	D		0	200	PIA			
P 7972	P		LOX TK PRESS VLV IN	F		0	5000	PIG	100	SLO	
P 7104	R		LOX TOP FL/RT	F		0	2	GPM	6	SLO	X
P 7109	R		LOX TOP BLEED FL/RT	F		1	10	GPM	62	SLO	X
P 7569	R		GND FUEL SUPPLY			0	350	GPM	7		
P 7183	S		LOX ST TK PR LINE A	F		0	3000	UIN	10%	200	
P 7184	S		LOX ST TK PR LINE B	F		0	3000	UIN	10%	200	
P 7113	T		TCU LOX IN TEMP	F		M225	M265	DGP	1	SLO	
P 7114	T		LOX TOP L/P DISC IN	F		M225	M265	DGP	1	SLO	
P 7134	T		B1 LOX PUMP INLET	F		M225	M275	DGP	1	SLO	
P 7304	T		SUS LOX PUMP INLET	F		M220	M270	DGP	1	SLO	
P 7305	T		B2 LOX PUMP INLET	F		M225	M275	DGP	1	SLO	
P 1325	T		ENG COMP AMBIENT	FS		0	500	DGP	3%	SLO	X X X
P 1530	T		B LOX PUMP INLET	BS		M220	M275	DGP	67	SLO	X X X
P 7547	T		GND STORAGE TK DISCH	F		M100	150	DGP	5	SLO	
P 7566	T		FUEL LINE TO MSL	F		0	150	DGP	4	SLO	
P 7571	T		MAIN LOX IN @ DISC	F		M300	M365	DGP	1	SLO	X
P 7572	T		MISSILE TANK FUEL	F		0	150	DGP	4	SLO	
P 7698	T		MAIN LOX LINE @ ROD	F		M300	M365	DGP	1	SLO	
P 7702	T		LOX TOP LINE ROD	F		M225	M265	DGP	1	SLO	
P 1711	T		B1 NACELLE AMBIENT	DP		0	500	DGP	3%	SLO	X X X

TYPE	FUNCTION	DESCRIPTION	R/W / MC	MEASUREMENT RANGE	RANGE		UNITS OF FUNCTION	ACCURACY	MAX. NO. CHANNELS PER FUNCTION	MAX. NO. FUNCTIONS
					LOW	HIGH				
					CLAMP / POINT	CALIBRATION				
P 1712	T	B2 NACELLE AMBIENT	DF	0 500		DGF	3% SLO	X	X	X
P 7802	T	SKIN B1 HYPRGOL CTL	F	M200 200		DGF	8 SLO			
P 7803	T	SKIN B2 HYPRGOL CTL	F	M200 200		DGF	8 SLO			
P 7806	T	SKIN S HYPRGOL CTL	F	M200 200		DGF	8 SLO			
P 7812	T	AMB S HYD CTL MAN	S	M200 200		DGF	8 SLO			
P 7813	T	AMB QUAD 4 STA 1205	S	M200 200		DGF	8 SLO			
P 7814	T	AMB QUAD 3 STA 1175	S	M200 200		DGF	8 SLO			
P 7815	T	AMB QUAD 2 STA 1245	S	M200 200		DGF	8 SLO			
P 7816	T	AMB QUAD 1 STA 1248	S	M200 200		DGF	8 SLO			
P 7817	T	AMB B1 NAC STA 1245	S	M200 200		DGF	8 SLO			
P 7818	T	AMB B2 NAC STA 1245	S	M200 200		DGF	8 SLO			
P 7819	T	AMB QUAD 2 STA 1234	S	M200 200		DGF	8 SLO			
P 7820	T	AMB B2 NAC STA 1156	S	M200 200		DGF	8 SLO			
P 7821	T	AMB B1 NAC STA 1156	S	M200 200		DGF	8 SLO			
P 7822	T	AMB B1 FUL CTL VLV	S	M200 200		DGF	8 SLO			
P 7823	T	AMB B2 FUL CTL VLV	S	M200 200		DGF	8 SLO			
P 7824	T	AMB QUAD 4 STA 1260	S	M200 200		DGF	8 SLO			
P 7825	T	SKIN B1 NAC STA 1220	S	M200 200		DGF	8 SLO			
P 7826	T	SKIN B2 NAC STA 1220	S	M200 200		DGF	8 SLO			
P 7827	T	SKIN X AXIS STA 1200	S	M200 200		DGF	8 SLO			
P 7908	T	FUEL PRESN TK DISCH	S	M100 150		DGF	5 SLO			
P 7126	V	S IGN STAGE CTL VOLT	F	0 30		VDC	1 100	X		
P 7115	X	RAPID TOP VLV OPEN	R	ON OFF		VDC	STP	X	X	X
P 7116	X	RAPID TOP VLV CLSD	R	ON OFF		VDC	STP	X	X	X
P 7117	X	TOPPING VLV OPEN	R	ON OFF		VDC	STP	X	X	X
P 7118	X	TOPPING VLV CLSD	R	ON OFF		VDC	STP	X	X	X
P 7129	X	VENT VLV N-80 OPEN	R	ON OFF		VDC	STP	X	X	X
P 7130	X	VENT VLV N-80 CLSD	R	ON OFF		VDC	STP	X	X	X
P 7131	X	LN DRN PRES N60 OPEN	R	ON OFF		VDC	STP	X	X	X
P 7132	X	LN DRN PRES N60 CLSD	R	ON OFF		VDC	STP	X	X	X

VEHICLE	SYSTEM	MEASUREMENT POINT	TYPE MEASUREMENT	DESCRIPTION	S/LT/SEC	MECHANISM / TRACE	MEASUREMENT RANGE		UNITS OF FUNCTION	ACCURACY	RATE OF CHANGE OR FREQUENCY OF FUNCTION	31181		
							LOW	HIGH						
P 7193	X			LOX TOPG TK VV OPEN	R		OFF	ON	VDC	STP		X	X	X
P 7194	X			LOX TOPG TK VV CLSD	R		OFF	ON	VDC	STP		X	X	X
P 7195	X			FUEL VALVE F4 OPEN	R		OFF	ON	VDC	STP				
P 7196	X			FUEL VALVE F4 CLOSED	R		OFF	ON	VDC	STP				
P 7223	X			LOX STOR TK VV CLSD	R		ON	OFF	VDC	STP		X	X	X
P 7223	X			LOX RAPID LV OPEN	R		ON	OFF	VDC	STP		X	X	X
P 7226	X			LOX FINE LV OPEN	R		ON	OFF	VDC	STP		X	X	X
P 7227	X			LOX RAPID LV CLSD	R		ON	OFF	VDC	STP		X	X	X
P 7228	X			LOX FINE LV CLSD	R		ON	OFF	VDC	STP		X	X	X
P 7236	X			LOX STOR TK VLV OPEN	R		ON	OFF	VDC	STP		X	X	X
P 7236	X			LOX DRAIN VALVE OPEN	R		ON	OFF	VDC	STP		X	X	X
P 7240	X			LOX DRAIN VALVE CLSD	R		ON	OFF	VDC	STP		X	X	X
P 7241	X			LOX CHLDN VL N1 CLD	R		ON	OFF	VDC	STP		X	X	X
P 7251	X			LOX CHLDN VL N2 CLD	R		ON	OFF	VDC	STP		X		
P 7282	X			LOX CHLDN VL N3 CLD	R		ON	OFF	VDC	STP		X		
P 7253	X			LOX TPNG VL N50 CLD	R		ON	OFF	VDC	STP		X		
P 7330	X			BOIL-OFF VLV OPEN	R		ON	OFF	VDC	STP		X	X	
P 7922	X			FUEL VLV F1 OPEN	R		ON	OFF	VDC	STP				
P 7923	X			FUEL VLV F1 CLOSED	R		ON	OFF	VDC	STP				
P 7924	X			FUEL VLV F2 OPEN	R		ON	OFF	VDC	STP				
P 7925	X			FUEL VLV F2 CLOSED	R		ON	OFF	VDC	STP				
P 7926	X			FUEL VLV F3 OPEN	R		ON	OFF	VDC	STP				
P 7927	X			FUEL VLV F3 CLOSED	R		ON	OFF	VDC	STP				
P 7928	X			FUEL VLV NF4 OPEN	R		ON	OFF	VDC	STP				
P 7929	X			FUEL VLV NF4 CLOSED	R		ON	OFF	VDC	STP				
P 7930	X			FUEL VLV NF1 OPEN	R		ON	OFF	VDC	STP				
P 7931	X			FUEL VLV NF1 CLOSED	R		ON	OFF	VDC	STP				
P 7932	X			FUEL VLV NF2 OPEN	R		ON	OFF	VDC	STP				
P 7933	X			FUEL VLV NF2 CLOSED	R		ON	OFF	VDC	STP				
P 7934	X			FUEL A/B F6D VLV OPN	R		ON	OFF	VDC	STP		X	X	X
P 7935	X			FUEL A/B F6D VLV CLS	R		ON	OFF	VDC	STP				
P 7936	X			FUEL LVL F11 OPEN	R		ON	OFF	VDC	STP				

VEHICLE SYSTEM	FUNCTIONAL NUMBER	TYPE MEASUREMENT	DESCRIPTION	TRM / INC	INTEGRATE / TRACE	MEASUREMENT RANGE		UNITS OF FUNCTION	ACCURACY	RATE OF CHANGE OR FREQUENCY OF FUNCTION	5 7 1 3 8 3
						LOW	HIGH				
P 7937	X		FUEL SENSOR LS	R		ON	OFF	VDC		STP	
P 7938	X		FUEL LVL TK FULL	R		ON	FULL			STP	
P 7939	X		FUEL LVL TK HALF FUL	R		ON	OFF	VDC		STP	
P 7947	X		LOX STORE TK FULL	R		ON	OFF	VDC		STP	X X X
P 7957	X		LOX VLV L7 OPEN	R		ON	OFF	VDC		STP	
P 7958	X		LOX VLV L7 CLOSED	R		ON	OFF	VDC		STP	
P 7959	X		LOX VLV L6 OPEN	R		ON	OFF	VDC		STP	
P 7960	X		LOX VLV L6 CLOSED	R		ON	OFF	VDC		STP	
P 7963	X		LOX A/B F6D VLV OPEN	R		ON	OFF	VDC		STP	X X X
P 7964	X		LOX A/B F6D VLV CLSD	R		ON	OFF	VDC		STP	X X X
P 1051	Y		ENG COMPT ACOUST	N		115	160	DB	5%	20K	X X X
U 7019	N		L/P LOX DISC CAMERA			96		FPS			X
U 7020	N		HOT-COLD DISC CAMERA			96		FPS			
U 7080	P		LOX TANK HEAD	F		0	7	PID	0.1	SLO	
U 7081	P		FUEL TANK HEAD	F		0	7	PID	1%	SLO	
U 7126	V		AA COMP 28VDC IN	0		0	40	VDC	2%	1KC	
U 7134	V		AA TIME SHRD OSC OUT	0		0	1	VDC	.04	8	
U 7011	X		RAPID FILL LOX CTL-1	R		OFF	ON	VDC		STP	X X X
U 7012	X		TOPPING LOW CTL-1	R		OFF	ON	VDC		STP	X X X
U 7013	X		TOPPING HIGH CTL-1	R		OFF	ON	VDC		STP	X X X
U 7014	X		100% LOX CONTROL-1	R		OFF	ON	VDC		STP	X X X
U 7015	X		RAPID FILL LOX CTL-2	R		OFF	ON	VDC		STP	X X X
U 7016	X		TOPPING LOW CTL-2	R		OFF	ON	VDC		STP	X X X
U 7017	X		TOPPING HIGH CTL-2	R		OFF	ON	VDC		STP	X X X
U 7018	X		100% LOX CONTROL-2	R		OFF	ON	VDC		STP	X X X
U 7021	X		FUEL LVL NOT LOW-1	R		OFF	ON	VDC		STP	
U 7022	X		FUEL LVL NOT LOW-2	R		OFF	ON	VDC		STP	

FUNCTION	INTERNAL	INSTALLATION	TYPE	DESCRIPTION	R/W / REC	INDICATOR / PLACE	MEASUREMENT RANGE		UNITS OF FUNCTION	ACCURACY	RANGE OF CHANGE OR FREQUENCY OF FUNCTION	TEST			
							LOW	HIGH				1	2	3	
U	7023	X		FUEL LVL TOO HIGH-1	R		OFF	ON	VDC	STP					
U	7024	X		FUEL LVL TOO HIGH-2	R		OFF	ON	VDC	STP					
U	7125	X		AA COMPUTER RESET	F		0	25	VDC	5% SLO	X	X	X		
U	7132	X		AA STA COUNTER OTP	F		0	25	VDC	5% SLO	X	X	X		
Y	7052	X		R/V BAT HTR THERMOST	R							X	X	X	
Y	7054	X		LAUNCH CONTROL POWER	R							X	X	X	
Y	7055	X		START COUNTDOWN PWR	R							X	X	X	
Y	7056	X		28 VDC VERIFICATION	R							X	X	X	
Y	7059	X		R/V CONTINUITY	R							X	X	X	
Y	7061	X		MARK 4 R/V	R							X	X	X	
Y	7062	X		R/V TACTICAL	R							X	X	X	
Y	7064	X		115 VAC VERIFICATION	R							X	X	X	
Y	7065	X		START COUNTDOWN VFY	R							X	X	X	
Y	7066	X		TARGET A SET	R							X	X	X	
Y	7067	X		TARGET B SET	R							X	X	X	
Y	7068	X		MARK 3 R/V	R							X	X	X	
Y	7069	X		TARGET A SELECT	R							X	X	X	
Y	7070	X		TARGET B SELECT	R							X	X	X	
Y	7071	X		START COUNTDOWN SIG	R							X	X	X	
Y	7072	X		28 VDC RECEIVED	R							X	X	X	

GENERAL DYNAMICS | ASTRONAUTICS

SECTION 11

CSTF #2 PEN ASSIGNMENTS

This section is a tabulation of all sequence measurements (OFF-ON) and their associated Esterline-Angus recorder pen assignments.

MEASUREMENT IDENTIFICATION

N	7001	X	PRESSURE MODE RED
N	7002	X	SELECT A BUTTON

MEASUREMENT DESCRIPTION

This is a brief, usually abbreviated, description of the measurement.\*

PICK-UP POINT

This indicates the electrical plug number and pin number of the pick-up point provided in the electrical control system for this measurement.

P140	N	2
P149A	14	3

PEN NUMBER

This denotes the sequence recorder pen assignment for the measurement.

\*NOTE: For a key to abbreviations and coding see the IBM code key of this report.



~~CONFIDENTIAL~~

GENERAL DYNAMICS | ASTRONAUTICS

REPORT NO. AE60-0653

6 DECEMBER 1961

SEQUENCE PEN LIST  
(to be supplied at a later date)

PAGE NO. 11-1

THIS MATERIAL CONTAINS INFORMATION AFFECTING THE NATIONAL DEFENSE OF THE UNITED STATES WITHIN THE MEANING OF THE ESPIONAGE LAWS, TITLE 18, U.S.C., SECTIONS 793 AND 794, THE TRANSMISSION OR REVELATION OF WHICH IN ANY MANNER TO AN UNAUTHORIZED PERSON IS PROHIBITED BY LAW

~~CONFIDENTIAL~~

COUNTDOWN INSTRUMENTATION

**BLANK PAGE**

~~CONFIDENTIAL~~

GENERAL DYNAMICS/ASTRONAUTICS

REPORT NO. AE60-0653

6 DECEMBER 1961

APPENDIX A

INSTRUMENTATION CONFIGURATION

IBM CODE KEY

Master tabulations of all performance measurements applicable to all test articles are maintained by the Test Planning Group. Operational tabulations are compiled from these masters for individual missiles. All instrumentation logs are maintained on IBM punched cards. This facilitates rapid sorting, rearrangement, and tabulation of measurements as required for program preparation and data analysis. Such storage necessitates a systematic classification of the measurements and uniformity in method used to describe the many types of measurements. To achieve this, an extensive coding of the identification, description, and measurement parameters is necessary. The following is an explanation and key for this coding. Each section may be identified in the key by the section heading or the IBM card column number.

I. MISSILE IDENTIFICATION (Col. 1-3)

This section is used to indicate the vehicle upon which the measurement is made.

II. MEASUREMENT IDENTIFICATION (Col. 4-9)

- A. Each measurement has a unique six-character identification. The first character defines the system within which the measurement exists. The second character defines the monitoring agency. The third, fourth, and fifth characters are number assignments which define a particular measurement within the system defined by the first character. The sixth character defines the type of measurement.

PAGE NO. 12-1

THIS MATERIAL CONTAINS INFORMATION AFFECTING THE NATIONAL DEFENSE OF THE UNITED STATES WITHIN THE MEANING OF THE ESPIONAGE LAWS, TITLE 18, U.S.C., SECTIONS 793 AND 794, THE TRANSMISSION OR REVELATION OF WHICH IN ANY MANNER TO AN UNAUTHORIZED PERSON IS PROHIBITED BY LAW.

~~CONFIDENTIAL~~

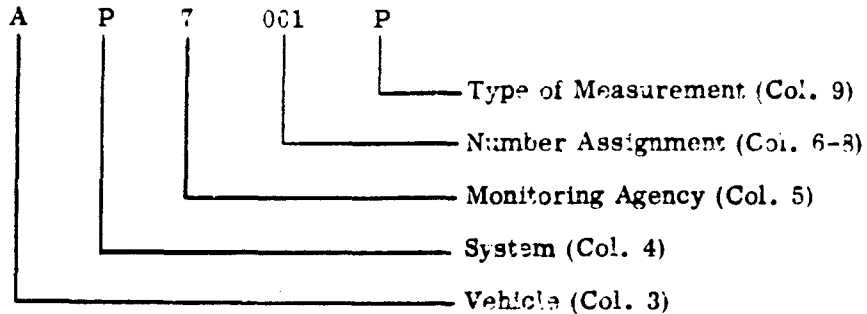
~~CONFIDENTIAL~~

GENERAL DYNAMICS | ASTRONAUTICS

REPORT NO. AE60-0653

6 DECEMBER 1961

*Handwritten notes:*  
11/22/61  
11/23/61



SYMBOL	VEHICLE (Col. 3)	SYSTEM (Col. 4)	TYPE OF MEASUREMENT (Col. 9)
A	Atlas Booster	Airframe	Acceleration
B	*	Beacon	Rotation Rate
C	Centaur	*	Current
D	*	Range Safety Command	Deflection
E	*	Electrical	Power
F	*	Pressurization	Force
G	*	Guidance (Radio)	*
H	*	Hydraulic	Position
I	*	Guidance (Inertial)	Intensity
J	*	*	Humidity
L	WS 117L 2nd Stage	Launcher	Velocity
M	Mercury Capsule	Miscellaneous	Mass (Dimensionless coefficient)
N	*	Facilities and Site	Camera Coverage
O	*	*	Vibration
P	*	Propulsion	Pressure
Q	*	*	Frequency
R	*	*	Rate
S	*	Flight Control System	Strain
T	*	Telemetry	Temperature
U	*	Propellant Utilization	*

THIS MATERIAL CONTAINS INFORMATION AFFECTING THE NATIONAL DEFENSE OF THE UNITED STATES WITHIN THE MEANING OF THE ESPIONAGE LAWS, TITLE 18, U.S.C., SECTIONS 793 AND 794, THE TRANSMISSION OR REVELATION OF WHICH IN ANY MANNER TO AN UNAUTHORIZED PERSON IS PROHIBITED BY LAW.

~~CONFIDENTIAL~~

~~CONFIDENTIAL~~

GENERAL DYNAMICS | ASTRONAUTICS

REPORT NO. AE60-0653

6 DECEMBER 1961

Vendor Code

WK	Wiancko Engineering Co.	BLH	Baldwin-Lima Hamilton
MASSA	Massa Laboratories, Inc.	T	Thermo Electric Co., Inc.
R-D	Rocketdyne	WAUGH	Waugh Engineering Co.

Indicates the transducer is the same one as that used for the measurement number immediately following this symbol.

VII. TRANSDUCER SERIAL NUMBER (Col. 62-66)

VIII. TRANSDUCER LOCATION (Col. 67-70)

Station Number (Col. 67-70)

Location by station number to the nearest inch.

Quadrant Number (Col. 71)

1	Quadrant I
2	Quadrant II
3	Quadrant III
4	Quadrant IV
X	XX Axis
Y	YY Axis

FOR LANDLINE AND CAPTIVE TEST

IX. TYPE OF RECORDER (Col. 30-34)

A	AM tape
D	Sanborn type recorder
E	Eput meter, counter
F	FM tape

PAGE NO. 12-3

THIS MATERIAL CONTAINS INFORMATION AFFECTING THE NATIONAL DEFENSE OF THE UNITED STATES WITHIN THE MEANING OF THE ESPIONAGE LAWS, TITLE 18, U.S.C., SECTIONS 793 AND 794, THE TRANSMISSION OR REVELATION OF WHICH IN ANY MANNER TO AN UNAUTHORIZED PERSON IS PROHIBITED BY LAW.

~~CONFIDENTIAL~~

~~CONFIDENTIAL~~

GENERAL DYNAMICS | ASTRONAUTICS

REPORT NO. AE6C-0653

6 DECEMBER 1961

G Esterline-Angus-Type-AW Graphic Recorder  
L Panel Light  
M Meter  
MS Multi-Point Strip Chart  
O Oscillograph (CEC)  
P Printer  
R EA Sequence Recorder  
S Strip Chart (Brown, Speedomax)

FOR TELEMETERING ONLY

X. MEASUREMENT CHANNEL ASSIGNMENTS (Col. 30-34, on TLM only)

Telemeter transmitter number (Col. 30)

Subcarrier channel numbers (Col. 31-32)

1-13, A, C, E

Pin Number (Col. 33-34)

Pin number if commutated in telemeter package

Pin number 1 thru 60

TYPE OF MEASUREMENT (Col. 76, on TLM only)

P Primary - An original measurement with one transducer, the output of which is sent to only one telemetering package.

M Multiple - When a measurement is picked up by one transducer but sent over two or more telemetering packages the original measurement is considered primary and the repeated ones considered multiple.

PAGE NO. 12-4

THIS MATERIAL CONTAINS INFORMATION AFFECTING THE NATIONAL DEFENSE OF THE UNITED STATES WITHIN THE MEANING OF THE ESPIONAGE LAWS, TITLE 18, U.S.C., SECTIONS 793 AND 794, THE TRANSMISSION OR REVELATION OF WHICH IN ANY MANNER TO AN UNAUTHORIZED PERSON IS PROHIBITED BY LAW.

~~CONFIDENTIAL~~

~~CONFIDENTIAL~~

GENERAL DYNAMICS | ASTRONAUTICS

REPORT NO. AE60-0653

6 DECEMBER 1961

SPECIAL CODING (Col. 76, on TLM only)

- C. Installation Drawing/Wiring Diagram
  - (Signal available will be shown in tabulation Section 15)
  - (Output impedance will be shown in tabulation Section 16)

PAGE NO. 12-5

THIS MATERIAL CONTAINS INFORMATION AFFECTING THE NATIONAL DEFENSE OF THE UNITED STATES WITHIN THE MEANING OF THE ESPIONAGE LAWS, TITLE 18, U.S.C., SECTIONS 793 AND 794, THE TRANSMISSION OR REVELATION OF WHICH IN ANY MANNER TO AN UNAUTHORIZED PERSON IS PROHIBITED BY LAW.

~~CONFIDENTIAL~~



~~CONFIDENTIAL~~

GENERAL DYNAMICS | ASTRONAUTICS

REPORT NO. AE60-0663

6 DECEMBER 1961

A

A/B	AIRBORNE
A/P	AUTOPILOT
AC	ALTERNATING CURRENT
ACA	ACOUSTICA
ACCELN	ACCELERATION
ACCRY	ACCESSORY
ACC	ACCELEROMETER
ACT, ACTR	ACTUATOR
ACUM	ACCUMULATOR
ADAPT	ADAPTER
AGC	AUTOMATIC GAIN CONTROL
AIG	ALL INERTIAL GUIDANCE
AMB	AMBIENT
AMP, AMPL	AMPLIFIER
ANG	ANGLE
ANT	ANTENNA
APS	ACCESSORY POWER SUPPLY
ASSY	ASSEMBLY
ATT	ATTITUDE
AUD	AUDIO
AUX	AUXILIARY
AVG	AVERAGE
AX	AXIS
AZ	AZIMUTH

B

B1	BOOSTER #1
B2	BOOSTER #2
B-O	BOIL OFF
B & S	BOOSTER & SUSTAINER
BAT	BATTERY
BCN	BEACON

B

BECO	BOOSTER ENGINE CUTOFF
BGG	BOOSTER GAS GENERATOR
BHD	BULKHEAD
BK	BREAK
BKHS	BLOCKHOUSE
BLWS	BELLOWS
BP	BOOST PUMP
BRG	BEARING
BRKT	BRACKET
BSD	BESIDE
BSTR	BOOSTER
BTL	BOTTLE
BTWN	BETWEEN
BYP	BYPASS

C

C-O, C/O	CUT OFF
CALC	CALCULATED
CAL, CALIB	CALIBRATE
CAN	CANISTER
CENT	CENTAUR
CHAN	CHANNEL
CHM	CHAMBER
CKT	CIRCUIT
CLSD	CLOSED
CLSG	CLOSING
CMD	COMMAND
COEF	COEFFICIENT
COF	CUTOFF
COMB	COMBUSTION
COMPT	COMPARTMENT
COND	CONDITIONER
CONT	CONTINUOUS
CONV	CONVERTER

PAGE NO. 12-6

THIS MATERIAL CONTAINS INFORMATION AFFECTING THE NATIONAL DEFENSE OF THE UNITED STATES WITHIN THE MEANING OF THE ESPIONAGE LAWS, TITLE 18, U.S.C., SECTIONS 793 AND 794, THE TRANSMISSION OR REVELATION OF WHICH IN ANY MANNER TO AN UNAUTHORIZED PERSON IS PROHIBITED BY LAW.

~~CONFIDENTIAL~~

~~CONFIDENTIAL~~

GENERAL DYNAMICS | ASTRONAUTICS

REPORT NO. AE60-0653

6 DECEMBER 1961

C

COR CORNER  
CTL CONTROL  
CTR CENTER  
CY CYCLE  
CYL CYLINDER

E

EMER EMERGENCY  
ENG ENGINE  
EXHST EXHAUST  
EXPLO EXPLOSIVE  
EXT EXTERNAL

D

DBLR DOUBLER  
DC DIRECT CURRENT  
DCDR DECODER  
DEL DELIVERY  
DEMODO DEMODULATOR  
DESTR DESTRUCTOR  
DET DETECTOR  
DG DISPLACEMENT GYRO  
DI DISCRETE INTEGRATOR  
DIA DIAMETRIC  
DIFRN DIFFERENCE  
DIR DIRECT  
DIS DISCRETE  
DISCH DISCHARGE  
DISCON DISCONNECT  
DISPL DISPLACEMENT  
DLY DELAY  
DN DOWN  
DO DROP OUT  
DP PRESSURE DROP  
DRVR DRIVER  
DS DOWN STREAM  
DT TEMPERATURE DROP  
DV DELTA VELOCITY

F

F & C FILL & CHECK  
F & D FILL & DRAIN  
FAIL FAILURE  
FAIR FAIRING  
FB FEEDBACK  
FRG FAIRING  
FL FLAME  
FL/RT FLOW RATE  
FREQ FREQUENCY  
FV FUEL VALVE  
FWD FORWARD

G

GEN GENERATOR  
GG GAS GENERATOR  
GMBL GIMBAL  
GPM GALLONS PER MINUTE  
GND GROUND  
GN<sub>2</sub> GASEOUS NITROGEN  
GO<sub>2</sub> GASEOUS OXYGEN  
GU GROUND UNIT  
GUID GUIDANCE

PAGE NO. 12-7

THIS MATERIAL CONTAINS INFORMATION AFFECTING THE NATIONAL DEFENSE OF THE UNITED STATES WITHIN THE MEANING OF THE ESPIONAGE LAWS, TITLE 18, U.S.C., SECTIONS 793 AND 794, THE TRANSMISSION OR REVELATION OF WHICH IN ANY MANNER TO AN UNAUTHORIZED PERSON IS PROHIBITED BY LAW.

~~CONFIDENTIAL~~

~~CONFIDENTIAL~~

GENERAL DYNAMICS | ASTRONAUTICS

REPORT NO. AE60-0653

6 DECEMBER 1961

<u>H</u>		<u>L</u>	
H/D	HOLDDOWN	LAT	LATERAL
HE	HELIUM	LCHR	LAUNCHER
HI	HIGH	LH <sub>2</sub>	LIQUID HYDROGEN
HLDR	HOLDER	LIM	LIMITER
HORZ	HORIZONTAL	LIT	LIGHT
HS	HEAD SUPPRESSION	LIQ	LIQUID
HSV	HEAD SUPPRESSION VALVE	LKN	LOCKIN
HSU	HYDRAULIC SUPPLY UNIT	LKUP	LOCKUP
HTR	HEATER	LLFM	LANDLINE FM
HYD	HYDRAULIC	LN	LINE
		LO	LOW
		LN <sub>2</sub>	LIQUID NITROGEN
		LONG	LONGITUDINAL
		LO <sub>2</sub>	LIQUID OXYGEN
		LT	LIGHT
		LUB	LUBRICATE
		LVL	LEVEL
<u>I</u>		<u>M</u>	
IF	INTERMEDIATE FREQUENCY	MAN	MANUAL
IGN	IGNITOR OR IGNITION	MAN, MANF	MANIFOLD
IND	INDICATOR	MANO	MANOMETER
INFO	INFORMATION	MC	MEGACYCLES
INJ	INJECTOR OR INJECTION	MGTRN	MAGNETRON
INL	INLET	MID	MIDDLE
INNER	INNER	MK	MARK
INP	INPUT	MOT	MOTOR
INS	INSULATOR	MSG	MESSAGE
INST, INSTR	INSTRUMENTATION	MSL	MISSILE
INSUL	INSULATION	MTR	MOTOR
INT	INTERNAL	MULT	MULTIPLIER
INTGRD	INTEGRATED		
INVTR	INVERTER		
<u>J</u>			
JET	JETTISON		
JUNCT	JUNCTION		

PAGE NO. 12-8

THIS MATERIAL CONTAINS INFORMATION AFFECTING THE NATIONAL DEFENSE OF THE UNITED STATES WITHIN THE MEANING OF THE ESPIONAGE LAWS, TITLE 18, U.S.C., SECTIONS 793 AND 794, THE TRANSMISSION OR REVELATION OF WHICH IN ANY MANNER TO AN UNAUTHORIZED PERSON IS PROHIBITED BY LAW

~~CONFIDENTIAL~~

~~CONFIDENTIAL~~

GENERAL DYNAMICS | ASTRONAUTICS

REPORT NO. AE60-0653

6 DECEMBER 1961

	<u>N</u>		<u>P</u>
NAA	NORTH AMERICAN AVIATION	PNL	PANEL
NORM	NORMAL	POS	POSITION OR POSITIONER
NOZ	NOZZLE	PPS	PULSES PER SECOND
NR	NEAR	PRE-RLS	PRERELEASE
		PRES	PRESSURIZED
		PRESG	PRESSURIZING
		PRESN	PRESSURIZATION
		PRESS	PRESSURE
		PREVLV	PREVALVE
		PRF	PULSE REPETITION RATE
			PURGE
OB	OVERBOARD	PRG	PROGRAMMER
OP	OPTICAL PROBE, OUTPUT	PRGR	PROPELLANT
OPN	OPEN	PROP	PROPELLANT VALVES
OPT	OUTPUT	PROP VLVS	PROPELLANT VALVES
ORFC	ORIFICE	PPS	POUNDS PER SECOND
OSC	OSCILLATOR	PS	POWER SUPPLY
OTB	OUTBOARD	PU	PROPELLANT UTILIZATION
OUT	OUTLET		PROPELLANT UTILIZATION VALVE
OUTBR, OTB	OUTBOARD	PUV,	PROPELLANT VALVE
OUTR	OUTER	PU VLV	POWER
OVBD	OVERBOARD	PV	POWER SUPPLY
OVRSPD	OVERSPEED	PWR	
		PWR SUP	
			<u>Q</u>
			QUAD
			QUADRANT
			QLTY
			QUALITY
			<u>R</u>
			ROLL
			RADIAL
P, PCH	PITCH		
PB	PULSE BEACON		
PB-IP	PULSE BEACON-IMPACT		
	PREDICTOR		
PG	PROGRAMMER		
PH	PHASE		
PKG	PACKAGE		
PL	PLATE		
PLAT	PLATFORM		
PMP	PUMP		
PNEU	PNEUMATIC		

THIS MATERIAL CONTAINS INFORMATION AFFECTING THE NATIONAL DEFENSE OF THE UNITED STATES WITHIN THE MEANING OF THE ESPIONAGE LAWS, TITLE 18, U.S.C., SECTIONS 793 AND 794, THE TRANSMISSION OR REVELATION OF WHICH IN ANY MANNER TO AN UNAUTHORIZED PERSON IS PROHIBITED BY LAW.

~~CONFIDENTIAL~~

~~CONFIDENTIAL~~

GENERAL DYNAMICS/ASTRONAUTICS  
REPORT NO. AE60-0653  
6 DECEMBER 1961

<u>R</u>		<u>S</u>	
RB	RATE BEACON	SAT'S	SATISFACTORY
RB-IP	RATE BEACON-IMPACT	SECO	SUSTAINER ENGINE
	PREDICTOR		CUTOFF
RCC	ROUGH COMBUSTION	SECT	SECTION
	CUT-OFF	SEP	SEPARATION
RCVR	RECEIVER	SEQ	SEQUENCE
RD	ROCKETDYNE	SGG	SUSTAINER GAE
RDY	READY		GENERATOR
REF	REFERENCE	SIG	SIGNAL
REG	REGULATOR	SNSR	SENSOR
REL	RELEASE	SOL	SOLENOID
RESP	RESPONSE	SPRT	SUPPORT
RESVR	RESERVOIR	SRV AMPL	SERVO AMPLIFIER
RETR	RETRACT	SRV VLV	SERVOVALVE
RF	RADIO FREQUENCY	SS	SUBSYSTEM
RG	RATE GYRO	ST	START
RLF	RELIEF	STA	STATION
RLY	RELAY	STABR	STABILIZER
RNG	RANGE	STAT	STATIC
ROL	ROLL	STOR	STORAGE
RSB	RANGE SAFETY BEACON	STRN	STRENGTH
RSC	RANGE SAFETY COMMAND	STRT	START
RTN	RETURN	STRUC	STRUCTURE
RV	RE-ENTRY VEHICLE (NOSECONE)	SUNTRKR	SUNTRACKER
		SUP	SUPPLY
		SUPHT	SUPERHEAT
		SUPRN	SUPPRESSION
		SURF	SURFACE
		SUS, S	SUSTAINER
S1	SYCAMORE TEST STAND	SW	SWITCH
	S1		
S4	SYCAMORE TEST STAND	SYS	SYSTEM
	S4		
S/C	SUBCARRIER		
SAF	SAFETY		

PAGE NO. 12-10

THIS MATERIAL CONTAINS INFORMATION AFFECTING THE NATIONAL DEFENSE OF THE UNITED STATES WITHIN THE MEANING OF THE ESPIONAGE LAWS, TITLE 18, U.S.C. SECTIONS 793 AND 794, THE TRANSMISSION OR REVELATION OF WHICH IN ANY MANNER TO AN UNAUTHORIZED PERSON IS PROHIBITED BY LAW.

~~CONFIDENTIAL~~

~~CONFIDENTIAL~~

GENERAL DYNAMICS | ASTRONAUTICS

REPORT NO. AE60-0653

6 DECEMBER 1961

	<u>T</u>		<u>V</u>
T/B	TURBOPUMP	VECT	VECTOR
T/C	THERMOCOUPLE	VEL	VELOCITY
TACH	TACHOMETER	VERT	VERTICAL
TANG	TANGENTIAL	VIBN	VIBRATION
TBN	TURBINE	VLV	VALVE
TCC	TEST CONDUCTOR'S CONSOLE	VRN	VERNIER
		VTRI	VENTURI
TEMP	TEMPERATURE		
TH, THR	THRUST		<u>W</u>
TK	TANK		
TLM	TELEMETER	WT	WEIGHT
TLR	TRAILER		
TMR	TIMER		<u>X</u>
TOR	TORQUE		
TOT	TOTAL	X	TRANS
TRGT	TARGET	XCIT	EXCITATION
TRIG	TRIGGER	XCNGR	EXCHANGER
TURB	TURBINE	XDCR	TRANSDUCER
		XFER SYS	TRANSFER SYSTEM
		XFER UN	TRANSFER UNIT
		XMTR	TRANSMITTER
		XPL	EXPLOSIVE
		XPNDR,	TRANSPONDER
		XPONDER	
		XTAL	CRYSTAL
		XVERS	TRANSVERSE
			<u>Y</u>
V1	VERNIER ENGINE #1		
V2	VERNIER ENGINE #2		
VAP	VAPOR		
VDC	VOLTS DIRECT CURRENT	Y-R, Y/R	YAW ROLL
VECO	VERNIER ENGINE CUTOFF		<u>Z</u>

PAGE NO. 12-11

THIS MATERIAL CONTAINS INFORMATION AFFECTING THE NATIONAL DEFENSE OF THE UNITED STATES WITHIN THE MEANING OF THE ESPIONAGE LAWS, TITLE 18, U.S.C., SECTIONS 793 AND 794, THE TRANSMISSION OR REVELATION OF WHICH IN ANY MANNER TO AN UNAUTHORIZED PERSON IS PROHIBITED BY LAW.

~~CONFIDENTIAL~~

~~CONFIDENTIAL~~

GENERAL DYNAMICS/ASTRONAUTICS

REPORT NO. AE60-0653

6 DECEMBER 1961

This page intentionally left blank.

PAGE NO. 12-12

THIS MATERIAL CONTAINS INFORMATION AFFECTING THE NATIONAL DEFENSE OF THE UNITED STATES WITHIN THE MEANING OF THE ESPIONAGE LAWS, TITLE 18, U.S.C., SECTIONS 793 AND 794, THE TRANSMISSION OR REVELATION OF WHICH IN ANY MANNER TO AN UNAUTHORIZED PERSON IS PROHIBITED BY LAW.

~~CONFIDENTIAL~~

~~CONFIDENTIAL~~

GENERAL DYNAMICS | ASTRONAUTICS

REPORT NO. AE60-0653

6 DECEMBER 1961

EXTERNAL DISTRIBUTION

	<u>No. Copies</u>
AIR FORCE	16
GE (MSVD)	1
ARMA GARDEN CITY, NY	2
ARMA, SAN DIEGO	2
MAJOR FRANK A SILVASY	1
ROCKETDYNE	1
ACOUSTICA ASSOCIATES	1
KELLOG SWITCHBOARD & SUPPLY	1

PAGE NO. 12-13

THIS MATERIAL CONTAINS INFORMATION AFFECTING THE NATIONAL DEFENSE OF THE UNITED STATES WITHIN THE MEANING OF THE ESPIONAGE LAWS, TITLE 18, U.S.C., SECTIONS 793 AND 794, THE TRANSMISSION OR REVELATION OF WHICH IN ANY MANNER TO AN UNAUTHORIZED PERSON IS PROHIBITED BY LAW.

~~CONFIDENTIAL~~



APPENDIX

OSTF

IBM CODE KEY

APPENDIX A

INSTRUMENTATION CONFIGURATION

IBM CODE KEY

Master tabulations of all performance measurements applicable to all test articles are maintained by the Test Planning Group. Operational tabulations are compiled from these masters for individual missiles. All instrumentation logs are maintained on IBM punched cards. This facilitates rapid sorting, rearrangement, and tabulation of measurements as required for program preparation and data analysis. Such storage necessitates a systematic classification of the measurements and uniformity in method used to describe the many types of measurements. To achieve this, an extensive coding of the identification, description, and measurement parameters is necessary. The following is an explanation and key for this coding. Each section may be identified in the key by the section heading or the IBM card column number.

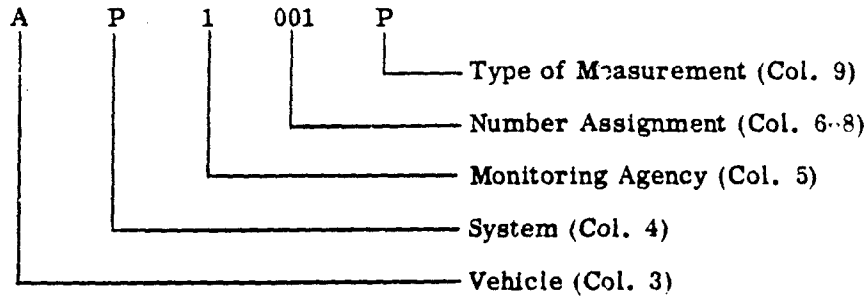
I. MISSILE IDENTIFICATION (Col. 1-3)

This section is used to indicate the vehicle upon which the measurement is made.

II. MEASUREMENT IDENTIFICATION (Col. 4-9)

- A. Each measurement has a unique six-character identification. The first character defines the system within which the measurement exists. The second character defines the monitoring agency. The third, fourth, and fifth characters are number assignments which define a particular measurement within the system defined by the first character. The sixth character defines the type of measurement.

~~CONFIDENTIAL~~  
GENERAL DYNAMICS | ASTRONAUTICS



SYMBOL	VEHICLE (Col. 3)	SYSTEM (Col. 4)	TYPE OF MEASUREMENT (Col. 9)
A	Atlas Booster	Airframe	Acceleration
B	*	Beacon	Rotation Rate
C	Centaur	*	Current
D	*	Range Safety Command	Deflection
E	*	Electrical	Power
F	*	Pressurization	Force
G	*	Guidance (Radio)	*
H	*	Hydraulic	Position
I	*	Guidance (Inertial)	Intensity
J	*	*	*
L	WS 117L 2nd Stage	Launcher	Velocity
M	Mercury Capsule	Miscellaneous	Mass (Dimensionless coefficient)
N	*	Facilities and Site	Camera Coverage
O	*	*	Vibration
P	*	Propulsion	Pressure
Q	*	*	Frequency
R	*	*	Rate
S	*	Flight Control System	Strain
T	*	Telemetry	Temperature
U	*	Propellant Utilization	*

THIS MATERIAL CONTAINS INFORMATION AFFECTING THE NATIONAL DEFENSE OF THE UNITED STATES WITHIN THE MEANING OF THE ESPIONAGE LAWS, TITLE 18, U.S.C., SECTIONS 793 AND 794, THE TRANSMISSION OR REVELATION OF WHICH IN ANY MANNER TO AN UNAUTHORIZED PERSON IS PROHIBITED BY LAW

~~CONFIDENTIAL~~

~~CONFIDENTIAL~~

REPORT NO. AE60-0653

GENERAL DYNAMICS | ASTRONAUTICS

PAGE NO. 13-3

12 JULY 1961

SYMBOL	VEHICLE (Col. 3)	SYSTEM (Col. 4)	TYPE OF MEASUREMENT (Col. 9)
V	*	*	Voltage
W	*	*	Time
X	*	External	Discrete Position
Y	*	Payload	Acoustical
Z	*	Azusa Transponder	Azimuth

\* Note: Unassigned

MONITORING AGENCY (Col. 5)

0	Telemetry
1	Direct Line (Captive Test and AFMTC Landline)
V	Checkout and Validation Instrumentation
M	Visual Panel Presentations

III. MEASUREMENT RANGE (Col. 35-42)

This represents the desired capability of the measuring system. "M" preceding a number indicates minus quantity.

IV. UNITS OF FUNCTION (Col. 43-45)

AMP	Amperes	F/S	Feet per second
CP3	Cycles per second	FS <sup>2</sup>	Feet per second <sup>2</sup>
DB	Decibels	FTN	Foot ton
DBM	Decibels above 1 Milliwatts	G	Acceleration of Gravity
DEG	Degrees Angular	GPM	Gallons per minute
DGC	Degrees Centigrade	GPS	Gallons per second
DGF	Degrees Fahrenheit	IN	Inches
DGR	Degrees Rankine	INW	Inches of water
D/S	Degrees per second	ILB	Inch pound
E	Watts	IPI	Inches per inch

THIS MATERIAL CONTAINS INFORMATION AFFECTING THE NATIONAL DEFENSE OF THE UNITED STATES WITHIN THE MEANING OF THE ESPIONAGE LAWS, TITLE 18, U.S.C. SECTIONS 793 AND 794, THE TRANSMISSION OR REVELATION OF WHICH IN ANY MANNER TO AN UNAUTHORIZED PERSON IS PROHIBITED BY LAW

~~CONFIDENTIAL~~

~~CONFIDENTIAL~~

GENERAL DYNAMICS | ASTRONAUTICS

12 JULY 1961

KC	Kilocycles	PIG	Pounds per square inch gage
KID	Thousands of pound per square in. differential	PPS	Pulses per second
KPS	Kilo-pounds	PS	Pounds per second
KPM	Thousands of RPM's	PSI	Pounds per square inch
LBS	Pounds	RPM	Revolutions per minute
MA	Milliamperes	RS <sup>2</sup>	Radians per second <sup>2</sup>
MC	Megacycles	SF <sup>2</sup>	Slugs feet <sup>2</sup>
ME	Milliwatts	SLG	Slugs
MII	Microinches per inch	SPS	Samples per second
MS	Milliseconds	UV	Microvolts
MV	Millivolts	UA	Microamperes
PIA	Pounds per square inch absolute	VAC	Volts, alternating current
PID	Pounds per square inch differential	VDC	Volts, direct current
		VPK	Peak volts, AC
		PRV	Phase reversing AC voltage

V. FREQUENCY RESPONSE REQUIRED (Col. 49-51)

The required response of the measuring system in cycles per second unless otherwise noted or implied.

SLO	Less than 1 cycle per second
400	400 cycles per second
1KC	1 Kilocycle (1000 cycles) per second
2MC	2 Megacycles (2,000,000 cycles) per second
STP	Step Function
UNK	Unknown

VI. TYPE OF TRANSDUCER (Col. 52-61)

\*Indicates an "off the shelf" commercial transducer. This is followed by a coded identification of the vendor and the vendor model number if known.

~~CONFIDENTIAL~~

~~CONFIDENTIAL~~

GENERAL DYNAMICS|ASTRONAUTICS

REPORT NO. AE60-0653

PAGE NO. 13-5

12 JULY 1961

Vendor Code

WK	Wianco Engineering Co.	BLH	Baldwin-Lima Hamilton
MASSA	Massa Laboratories, Inc.	T	Thermo Electric Co., Inc.
R-D	Rocketdyne	WAUGH	Waugh Engineering Co.

Indicates the transducer is the same one as that used for the measurement number immediately following this symbol.

VII. TRANSDUCER SERIAL NUMBER (Col. 62-66)

VIII. TRANSDUCER LOCATION (Col. 67-70)

Station Number (Col. 67-70)

Location by station number to the nearest inch.

Quadrant Number (Col. 71)

1	Quadrant I
2	Quadrant II
3	Quadrant III
4	Quadrant IV
X	XX Axis
Y	YY Axis

FOR LANDLINE AND CAPTIVE TEST

IX. TYPE OF RECORDER (Col. 30-34)

A	AM tape
D	Sanborn type recorder
E	Eput meter, counter
F	FM tape
G	Esterline-Angus-Type-AW Graphic Recorder
L	Panel Light

THIS MATERIAL CONTAINS INFORMATION AFFECTING THE NATIONAL DEFENSE OF THE UNITED STATES WITHIN THE MEANING OF THE ESPIONAGE LAWS, TITLE 18, U.S.C., SECTIONS 793 AND 794, THE TRANSMISSION OR REVELATION OF WHICH IN ANY MANNER TO AN UNAUTHORIZED PERSON IS PROHIBITED BY LAW

~~CONFIDENTIAL~~

12 JULY 1961

- M Meter
- MS Multi-Point Strip Chart
- O Oscillograph (CEC)
- P Printer
- R EA Sequence Recorder
- S Strip chart (Brown, Speedomax)

FOR TELEMETERING ONLY

X. MEASUREMENT CHANNEL ASSIGNMENTS (Col. 30-34, on TLM only)

Telemeter transmitter number (Col. 30)

Subcarrier channel numbers (Col. 31-32)

1-13, A, C, E

Pin number (Col. 33-34)

Pin number if commutated in telemeter package

Pin number 1 thru 60

TYPE OF MEASUREMENT (Col. 76, on TLM only)

P Primary - An original measurement with one transducer, the output of which is sent to only one telemetering package.

M Multiple - When a measurement is picked up by one transducer but sent over two or more telemetering packages the original measurement is considered primary and the repeated ones considered multiple.

SPECIAL CODING (Col. 76, on TLM only)

- C Installation Drawing/Wiring Diagram  
(Signal available will be shown in tabulation Section 15)  
(Output impedance will be shown in tabulation Section 16)

XI. INSTRUMENTATION TEST PLAN

A. Measurement Functions (Col. 31-34)

Functions are assigned two or four digit codes and are classified as (1) operational requirements, (2) Post Test Failure Detection Requirements or (3) Test Objectives.

1. Operating Requirements

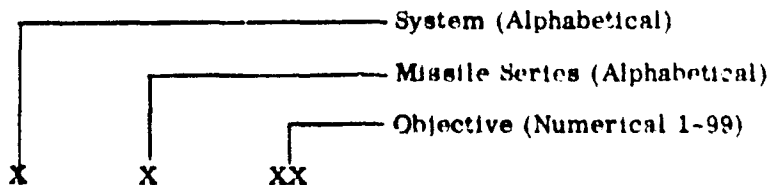
Operating measurements are those required on a continuing basis for checkout of the missile during the countdown and for safe operation during start, running, and shutdown of a hot firing. These measurements must be presented on a visual display, all others have no such requirements. Operating measurements are indicated by the two digit code (01).

2. Post Test Failure Detection Requirements

This measurement function includes those measurements which will provide "quick look" type of post test data necessary to detect a possible malfunction. Analysis of this data should indicate an unsafe firing condition. These measurements are indicated by the two digit code (02).

3. Test Objectives

a. Coding System: The coding system for test objectives has been developed to provide a rapid means of identification and handling of a large number of objectives. Coded objectives are listed by system along with the instrumentation required for accomplishment.



THIS MATERIAL CONTAINS INFORMATION AFFECTING THE NATIONAL DEFENSE OF THE UNITED STATES WITHIN THE MEANING OF THE ESPIONAGE LAWS, TITLE 18, U.S.C., SECT ONS 793 AND 794, THE TRANSMISSION OR REVELATION OF WHICH IN ANY MANNER TO AN UNAUTHORIZED PERSON IS PROHIBITED BY LAW



~~CONFIDENTIAL~~

GENERAL DYNAMICS|ASTRONAUTICS

12 JULY 1961

b. Letters used to identify the system are identical to those used to identify the system described in Section II of the code key with the following addition:

- o - over-all general objectives  
i.e. Reliability, Compatibility
- w - propellant loading

c. Objectives Headers

- (1) The instrumentation test plan presents a tabulation of measurements by test objectives.
- (2) Each objective normally contains one of the following five key terms. These terms defined below will establish a standard datum for uniform interpretation of test objectives.

DEMONSTRATE (DEM) denotes the occurrence of an action or an event during a test. The accomplishment of this type objective requires a qualitative answer. The answer will be derived through the relation of this action or event to some other known information or occurrence. This category of objective implies a minimum of airborne instrumentation, and/or that the information be obtained external to the missile.

DETERMINE (DET) denotes the measuring of performance of any unit or system. This category implies the quantitative investigation of over-all operation which includes, generally, the instrumentation for measuring basic inputs and outputs of the unit or system. The information obtained should indicate to what extent the system is operating as designed. The instrumentation should allow performance deficiencies to be isolated to either the system or to the system inputs.

EVALUATE (EVAL) denotes the measuring of performance of any unit or system as well as the performance and/or inter-action of its sections or subsystems that are under investigation.

~~CONFIDENTIAL~~

The accomplishment of objectives of this type requires quantitative data on the performance of both unit or system and its sections or subsystems. Instrumentation for this category generally includes measuring basic inputs and outputs of the unit or system as well as basic inputs and outputs of its sections or subsystems. The performance levels of the sections or subsystems will then be analyzed for their contribution toward performance of the unit or system. This category will provide the most detailed information of any of these categories.

OBTAIN DATA (OBTN) denotes gathering engineering information which is to be measured to augment the general knowledge required in the development of the over-all weapon system. This category may also be used for supplemental investigations such as environmental studies, ascertaining k factors, ground equipment studies, etc. The degree of instrumentation is not implied by this definition; individual objectives will indicate extent of instrumentation required.

ESTABLISH (ESTB) denotes gathering engineering information for the development of ground procedures and operating techniques. Objectives in this category are not necessarily dependent on analytic studies.

B. Test Block Numbers (Captive only)

Two columns of information are given under each run. These columns indicate which parameters are to be recorded on each test run. The first column gives the measurement priority. The second is used only for priority 1 measurements and gives the measurement category.

C. Priority Symbols (Captive only)

1. These measurements are necessary to ensure safe operation or satisfactory fulfillment of the test objectives. This includes functional readiness indications, the so-called "red line" indications. The test would be authorized to either "hold" or "abort" as applicable for any one of these measurements.

~~CONFIDENTIAL~~

GENERAL DYNAMICS|ASTRONAUTICS

12 JULY 1961

2. These are measurements secondary to any particular test objective. They will contribute additional information toward fulfillment of the test objective but the test would be authorized to "hold" only if the number and nature of the incomplete instrumentation in this category appeared detrimental to accomplishment of the test objective.
3. These are measurements of general information nature. They may supplement the priority 1 and 2 measurements, or they may be of environmental nature in and around the test stand. They will be taken only when manpower and schedules permit. No hold action will be authorized for any of these measurements.

Absence of a priority entry in the first column on any run indicates that the measurement will not be made on that run.

D. Measurement Categories (Captive only)

- 1A Operating Measurements - Those functions that have to be monitored before and/or during a test. Category "A" measurements will be identified as such irrespective of whether the function has most significance before or during a test.
- 1B Post-Test Inspection Measurements - Those functions that are to be reviewed after a test to determine that systems operated properly and that the test was conducted safely.

SYSTEM EVALUATION MEASUREMENTS

A number of measurements are required for basic systems evaluation. Some of these are already included in categories 1A and 1B as defined above. The rest consist of all other priority 1 measurements.

E. Missile Area (Col. 75-79)

This system of coding is used to group related measurements for easier analysis. Descriptive heading of this coding appear in all tabulations that are presented in this order.

~~CONFIDENTIAL~~

~~CONFIDENTIAL~~

GENERAL DYNAMICS | ASTRONAUTICS

REPORT NO. AE60-0653

PAGE NO. 13-11

12 JULY 1961

A

B

A/B	AIRBORNE	BAT	BATTERY
A/P	AUTOPILOT	BCN	BEACON
AC	ALTERNATING CURRENT	BECO	BOOSTER ENGINE CUTOFF
ACA	ACOUSTICA	BGG	BOOSTER GAS GENERATOR
ACCELN	ACCELERATION	BHD	BULKHEAD
ACCRY	ACCESSORY	BK	BREAK
ACLMTR, ACC	ACCELEROMETER	BKHS	BLOCKHOUSE
ACT, ACTR	ACTUATOR	BLWS	BELLOWS
ACUM	ACCUMULATOR	BP	BOOST PUMP
ADAPT	ADAPTER	BRG	BEARING
AFCRC	AIR FORCE CAMBRIDGE RESEARCH CENTER	BRKT	BRACKET
AGC	AUTOMATIC GAIN CON- TROL	BSD	BESIDE
AIG	ALL INERTIAL GUIDANCE	BSTR	BOOSTER
ALTR	ALTERNATE	BTG	BEACON TRIGGER GENERATOR
AMB	AMBIENT	BTL	BOTTLE
AMP, AMPL	AMPLIFIER	BTWN	BETWEEN
ANG	ANGLE	BYP	BYPASS
ANT	ANTENNA		
APS	ACCESSORY POWER SUPPLY		
ASSY	ASSEMBLY		
ATT	ATTITUDE		
AUD	AUDIO		
AUX	AUXILIARY		
AVG	AVERAGE		
AX	AXIS		
AZ	AZIMUTH		

B

C

B1	BOOSTER #1	C-O, C/O	CUT OFF
B2	BOOSTER #2	CALC	CALCULATED
B-O	BOIL OFF	CAL, CALIB	CALIBRATE
B & S	BOOSTER & SUSTAINER	CAN	CANISTER
		CATH	CATHODE
		CATH FOL	CATHODE FOLLOWER
		CENT, CENTR	CENTAUR
		CH	CHILL
		CHAN	CHANNEL
		CHM, CHAMB	CHAMBER
		CKT	CIRCUIT
		CLSD	CLOSED
		CLSG	CLOSING
		CMD	COMMAND
		CMPST	COMPOSITE

THIS MATERIAL CONTAINS INFORMATION AFFECTING THE NATIONAL DEFENSE OF THE UNITED STATES WITHIN THE MEANING OF THE ESPIONAGE LAWS, TITLE 18, U.S.C., SECTIONS 793 AND 794, THE TRANSMISSION OR REVELATION OF WHICH IN ANY MANNER TO AN UNAUTHORIZED PERSON IS PROHIBITED BY LAW

~~CONFIDENTIAL~~

<u>C</u>		<u>D</u>		
COEF	COEFFICIENT	DO	DROP OUT	
COF	CUTOFF	DP	PRESSURE DROP	
COMB	COMBUSTION	DRVR	DRIVER	
COMPT	COMPARTMENT	DS	DOWN STREAM	
COMUTR	COMPUTER	DSHE	DOWN STREAM HEAT EXCHANGER	
COND	CONDITIONER		TEMPERATURE DROP	
CONT	CONTINUOUS	DT	DELTA VELOCITY	
CONV	CONVERTER	DV		
COR	CORNER			
CTL	CONTROL	<u>E</u>		
CTR, CNTR	CENTER	EMER	EMERGENCY	
CY	CYCLE	ENG	ENGINE	
CYL	CYLINDER	ENGMT	ENGAGEMENT	
		ETP	ENGINE TEST PANEL	
<u>D</u>		EVC-O	ELECTRONIC VIBRATION CONTROL	
DBLR	DOUBLER		EXHAUST	
DC	DIRECT CURRENT	EXHST	EXPLOSIVE	
DCDR	DECODER	EXPLO	EXTERNAL	
DEFLN	DEFLECTION	EXT		
DEFLR	DEFLECTOR		<u>F</u>	
DEL	DELIVERY	F & C	FILL & CHECK	
DEMOD	DEMODULATOR	F & D	FILL & DRAIN	
DESTR	DESTRUCTOR	FAIL	FAILURE	
DET	DETECTOR	FAIR	FAIRING	
DG	DISPLACEMENT GYRO	FB	FEEDBACK	
DI	DISCRETE INTEGRATOR	FRG	FAIRING	
DIA	DIAMETRIC	FL	FLAME	
DIFRN	DIFFERENCE	FLDN	FIELDEN	
DIR	DIRECT	FL/RT	FLOW RATE	
DIS	DISCRETE	FLS	FLASHING LIGHT SYSTEM	
DISCH	DISCHARGE	FL/TOT	FLOW TOTALIZER	
DISCON	DISCONNECT	FLWR	FOLLOWER	
DISPL	DISPLACEMENT			
DLY	DELAY			
DN	DOWN			

THIS MATERIAL CONTAINS INFORMATION AFFECTING THE NATIONAL DEFENSE OF THE UNITED STATES WITHIN THE MEANING OF THE ESPIONAGE LAWS, TITLE 18, U.S.C., SECTIONS 793 AND 794. THE TRANSMISSION OR REVELATION OF WHICH IN ANY MANNER TO AN UNAUTHORIZED PERSON IS PROHIBITED BY LAW

~~CONFIDENTIAL~~

~~CONFIDENTIAL~~

GENERAL DYNAMICS | ASTRONAUTICS

REPORT NO. AE60-0653

PAGE NO. 13-13

12 JULY 1961

<u>F</u>		<u>I</u>	
FREQ	FREQUENCY	IF	INTERMEDIATE
FV	FUEL VALVE		FREQUENCY
FWD	FORWARD	IGN	IGNITOR OR IGNITION
		IND	INDICATOR
		INFO	INFORMATION
		INJ	INJECTOR OR INJECTION
		INL	INLET
		INNER	INNER
		INP	INPUT
		INS	INSULATOR
		INST, INSTR	INSTRUMENTATION
		INSUL	INSULATION
		INT	INTERNAL
		INTGRD	INTEGRATED
		INTGRG	INTEGRATING
		INVTR	INVERTER
<u>G</u>		<u>J</u>	
GEN	GENERATOR		JETTISON
GG	GAS GENERATOR		JUNCTION
GMBL	GIMBAL		
GPM	GALLONS PER MINUTE		
GND	GROUND		
GN <sub>2</sub>	GASEOUS NITROGEN		
GO <sub>2</sub>	GASEOUS OXYGEN		
GU	GROUND UNIT		
GUID	GUIDANCE		
<u>H</u>		<u>L</u>	
H/D	HOLDDOWN		LATERAL
HE	HELIUM	JET	LAUNCHER
HI	HIGH	JUNCT	LIQUID HYDROGEN
HLDR	HOLDER		LIMITER
HORZ	HORIZONTAL		LIMITER
HPD	HYDRAULIC PUMP DIS- CHARGE	LAT	LIGHT
HPP	HY PNEU PANEL	LCHR	LIQUID
HS	HEAD SUPPRESSION	LH <sub>2</sub>	LIQUID
HSV	HEAD SUPPRESSION VALVE	LIM	LOCKIN
HSU	HYDRAULIC SUPPLY UNIT	LIMR	LOCKUP
HT	HEAT	LIT	
HTR	HEATER	LIQ	
HYD	HYDRAULIC	LKN	
		LKUP	

THIS MATERIAL CONTAINS INFORMATION AFFECTING THE NATIONAL DEFENSE OF THE UNITED STATES WITHIN THE MEANING OF THE ESPIONAGE LAWS TITLE 18, U.S.C., SECTIONS 793 AND 794, THE TRANSMISSION OR REVELATION OF WHICH IN ANY MANNER TO AN UNAUTHORIZED PERSON IS PROHIBITED BY LAW

~~CONFIDENTIAL~~

UNCLASSIFIED

12 JULY 1961

	<u>L</u>		<u>N</u>
LLFM	LANDLINE FM	NOZ	NOZZLE
LN	LINE	NPSH	NET POSITIVE SUCTION
LNG	LONG		HEAD
LO	LOW	NR	NEAR
LN <sub>2</sub>	LIQUID NITROGEN		
LONG	LONGITUDINAL		<u>O</u>
LO <sub>2</sub>	LIQUID OXYGEN		
LT	LIGHT	OB	OVERBOARD
LUB	LUBRICATE	OP	OPTICAL PROBE, OUTPUT
LVL	LEVEL	OPN	OPEN
		OPNG	OPENING
	<u>M</u>	OPRNL	OPERATIONAL
MAN	MANUAL	OPT	OUTPUT
MAN, MANF	MANIFOLD	ORFC	ORIFICE
MANO	MANOMETER	OSC	OSCILLATOR
MC	MEGACYCLES	OTB	OUTBOARD
MGT..N	MAGNETRON	OUT	OUTLET
MID	MIDDLE	OUTER, OTB	OUTBOARD
MK	MARK	OUTR	OUTER
MOT	MOTOR	OVBD	OVERBOARD
MPCP	MISSILE POWER CONTROL	OVRSPD	OVERSPEED
	PANEL		<u>P</u>
MSG	MESSAGE	P, PCH	PITCH
MSL	MISSILE	PB	PULSE BEACON
MSW	MICROSWITCH	PB-IP	PULSE BEACON-IMPACT
MT	MOUNT		PREDICTOR
MTL	METAL	PG	PROGRAMMER
MTR	MOTOR	PH	PHASE
MULT	MULTIPLIER	PH REV	PHASE REVERSING
		PKG	PACKAGE
	<u>N</u>	PL	PLATE
NAA	NORTH AMERICAN	PLAT	PLATFORM
	AVIATION	PMP	PUMP
NORM	NORMAL	PNEU	PNEUMATIC

THIS MATERIAL CONTAINS INFORMATION AFFECTING THE NATIONAL DEFENSE OF THE UNITED STATES WITHIN THE MEANING OF THE ESPIONAGE LAWS, TITLE 18, U.S.C., SECTIONS 793 AND 794, THE TRANSMISSION OR REVELATION OF WHICH IN ANY MANNER TO AN UNAUTHORIZED PERSON IS PROHIBITED BY LAW

UNCLASSIFIED

UNCLASSIFIED

GENERAL DYNAMICS | ASTRONAUTICS

REPORT NO. AE60-0653

PAGE NO. 13-15

12 JULY 1961

P

PNL PANEL  
 POS POSITION OR POSITIONER  
 PPS PULSES PER SECOND  
 PR PRESSURE  
 PREP PREPARATION  
 PRE-RLS PRERELEASE  
 PRES D PRESSURIZED  
 PRES G PRESSURIZING  
 PRES N PRESSURIZATION  
 PRESS PRESSURE  
 PREVLV PREVALVE  
 PRF PULSE REPETITION  
 RATE RATE  
 PRG PURGE  
 PRGR PROGRAMMER  
 PROP PROPELLANT  
 PROP VLVS PROPELLANT VALVES  
 PS POUNDS PER SECOND  
 PS POWER SUPPLY  
 PU PROPELLANT UTILIZATION  
 PUV, PROPELLANT  
 PU VLV UTILIZATION VALVE  
 PV PROPELLANT VALVE  
 PWR POWER  
 PWR SUP POWER SUPPLY

R

RB RATE BEACON  
 RB-IP RATE BEACON-IMPACT  
 RBCC PREDICTOR  
 RCVR ROUGH COMBUSTION CUT-OFF  
 RD RECEIVER  
 RDY ROCKETDYNE  
 RECLT READY  
 REDNT RECIRCULATE  
 REF REDUNDANT  
 REG REFERENCE  
 REGS REGULATOR  
 REL REGULATORS  
 RESP RELEASE  
 RESVR RESPONSE  
 RETR RESERVOIR  
 RF RETRACT  
 RG RADIO FREQUENCY  
 RLF RATE GYRO  
 RLY RELIEF  
 RNG RELAY  
 ROL RANGE  
 RSB ROLL  
 RSC RANGE SAFETY BEACON  
 RTN RANGE SAFETY COMMAND  
 RV RETURN  
 RE-ENTRY VEHICLE (NOSECONE)

Q

QUAD QUADRANT  
 QLTY QUALITY

R

R ROLL  
 RADL RADIAL

S

S1 SYCAMORE TEST STAND  
 S1 SYCAMORE TEST STAND  
 S4 SYCAMORE TEST STAND  
 S/C SUBCARRIER

THIS MATERIAL CONTAINS INFORMATION AFFECTING THE NATIONAL DEFENSE OF THE UNITED STATES WITHIN THE MEANING OF THE ESPIONAGE LAWS, TITLE 18, U.S.C., SECTIONS 793 AND 794, THE TRANSMISSION OR REVELATION OF WHICH IN ANY MANNER TO AN UNAUTHORIZED PERSON IS PROHIBITED BY LAW

UNCLASSIFIED



UNCLASSIFIED

12 JULY 1961

<u>S</u>		<u>S</u>	
S/T	START TANK	SURF	SURFACE
SAD	SADDLE	SUS, S	SUSTAINER
SAF	SAFETY	SW	SWITCH
SATIS	SATISFACTORY	SYS	SYSTEM
SDC	SECONDARY DISTRIBUTION CENTER		
SECO	SUSTAINER ENGINE CUTOFF		
SECT	SECTION	T/B	TURBOPUMP
SELR	SELECTOR	T/C	THERMOCOUPLE
SEPN	SEPARATION	TACH	TACHOMETER
SEQ	SEQUENCE	TANG	TANGENTIAL
SGG	SUSTAINER GAS GENERATOR	TBN	TURBINE
SHLD	SHIELD	TCC	TEST CONDUCTOR'S CONSOLE
SIG	SIGNAL	TEMP	TEMPERATURE
SK	SKIN	TH, THR	THRUST
SNERS	SENSORS	TK	TANK
SNSR	SENSOR	TLM	TELEMETER
SOL	SOLENOID	TLR	TRAILER
SPRT	SUPPORT	TMR	TIMER
SRV AMPL	SERVO AMPLIFIER	TOR	TORQUE
SRV VLV	SERVOVALVE	TOT	TOTAL
SS	SUBSYSTEM	TRGT	TARGET
ST	START	TRIG	TRIGGER
STA	STATION	TURB	TURBINE
STABR	STABILIZER		
STAT	STATIC		
STOR	STORAGE	UMBL	UMBILICAL
STRN	STRENGTH	UP	UPPER
STRT	START	USHE	UPSTREAM HEAT EXCHANGER
STRUC	STRUCTURE		
SUNTRKR	SUNTRACKER		
SUP	SUPPLY		
SUPHT	SUPERHEAT	V1	VERNIER ENGINE #1
SUPRN	SUPPRESSION	V2	VERNIER ENGINE #2

THIS MATERIAL CONTAINS INFORMATION AFFECTING THE NATIONAL DEFENSE OF THE UNITED STATES WITHIN THE MEANING OF THE ESPIONAGE LAWS, TITLE 18, U.S.C., SECTIONS 793 AND 794. THE TRANSMISSION OR REVELATION OF WHICH IN ANY MANNER TO AN UNAUTHORIZED PERSON IS PROHIBITED BY LAW

UNCLASSIFIED

**UNCLASSIFIED**

**GENERAL DYNAMICS | ASTRONAUTICS**

REPORT NO. AE60-0653

PAGE NO. 13-17

12 JULY 1961

V

VAP	VAPOR
VDC	VOLTS DIRECT CURRENT
VECO	VERNIER ENGINE CUTOFF
VECT	VECTOR
VEL	VELOCITY
VERT	VERTICAL
VIBN	VIBRATION
VLV	VALVE
VRN	VERNIER
VTRI	VENTURI

W

WT	WEIGHT
----	--------

X

X	TRANS
XCIT	EXCITATION
XCNGR	EXCHANGER
XDCR	TRANSDUCER
XDCR SUP	TRANSDUCER SUPPLY
XFER SYS	TRANSFER SYSTEM
XFER UN	TRANSFER UNIT
XMTR	TRANSMITTER
XPL	EXPLOSIVE
XPNDR,	TRANSPONDER
XPONDER	
XTAL	CRYSTAL
XVERS	TRANSVERSE
XVTR	TRANSVERTER

Y

Y-R, Y/R	YAW ROLL
----------	----------

Z

THIS MATERIAL CONTAINS INFORMATION AFFECTING THE NATIONAL DEFENSE OF THE UNITED STATES WITHIN THE MEANING OF THE ESPIONAGE LAWS, TITLE 18, U.S.C., SECTIONS 793 AND 794, AND INFORMATION THE DISCLOSURE OF WHICH IN ANY MANNER TO AN UNAUTHORIZED PERSON IS PROHIBITED BY LAW

**UNCLASSIFIED**

REPORT NO. AE60-0659

PAGE NO. 13-18

12 JULY 1961

GENERAL DYNAMICS | ASTRONAUTICS

UNCLASSIFIED

This page intentionally left blank.

THIS MATERIAL CONTAINS INFORMATION AFFECTING THE NATIONAL DEFENSE OF THE UNITED STATES WITHIN THE MEANING OF THE ESPIONAGE LAWS, TITLE 18, U.S.C., SECTIONS 793 AND 794, THE TRANSMISSION OR REVELATION OF WHICH IN ANY MANNER TO AN UNAUTHORIZED PERSON IS PROHIBITED BY LAW

UNCLASSIFIED

UNCLASSIFIED

EXTERNAL DISTRIBUTION

	<u>No. Copies</u>
AIR FORCE	16
GE (MSVD)	1
ARMA GARDEN CITY, NY	2
ARMA, SAN DIEGO	2
MAJOR FRANK A SILVASY	1
ROCKETDYNE	1
ACOUSTICA ASSOCIATES	1
KELLOG SWITCHBOARD & SUPPLY	1

THIS MATERIAL CONTAINS INFORMATION AFFECTING THE NATIONAL DEFENSE OF THE UNITED STATES WITHIN THE MEANING OF THE ESPIONAGE LAWS, TITLE 18, U.S.C., SECTIONS 793 AND 794, THE TRANSMISSION OR REVELATION OF WHICH IN ANY MANNER TO AN UNAUTHORIZED PERSON IS PROHIBITED BY LAW.

UNCLASSIFIED

REPORT NO. AE60-0653

PAGE NO. 13-20

12 JULY 1961

GENERAL DYNAMICS | ASTRONAUTICS

UNCLASSIFIED

UNCLASSIFIED

This page intentionally left blank.

UNCLASSIFIED

THIS MATERIAL CONTAINS INFORMATION AFFECTING THE NATIONAL DEFENSE OF THE UNITED STATES WITHIN THE MEANING OF THE ESPIONAGE LAWS, TITLE 18, U.S.C., SECTIONS 793 AND 794, THE TRANSMISSION OR REVELATION OF WHICH IN ANY MANNER TO AN UNAUTHORIZED PERSON IS PROHIBITED BY LAW.

UNCLASSIFIED

END  
DATE  
FILMED

6-5-69