

AFRRI SR72-7

APRIL 1972

AFRRI
SCIENTIFIC
REPORT

**DETERMINATION OF L-FUCOSE
IN GLYCOPROTEINS**

**II. An Automated Method for the
Determination of L-Fucose in
Serum Glycoprotein Hydrolysates**

P. Z. Sobocinski
W. J. Canterbury
K. M. Hartley

ARMED FORCES RADIOBIOLOGY RESEARCH INSTITUTE
Defense Nuclear Agency
Bethesda, Maryland

All aspects of investigative programs involving the use of laboratory animals sponsored by DoD components are conducted according to the principles enunciated in the "Guide for Laboratory Animal Facilities and Care", prepared by the National Academy of Sciences - National Research Council.

DETERMINATION OF L-FUCOSE IN GLYCOPROTEINS

II. AN AUTOMATED METHOD

FOR THE DETERMINATION OF L-FUCOSE

IN SERUM GLYCOPROTEIN HYDROLYSATES

P. Z. SOBOCINSKI
W. J. CANTERBURY
K. M. HARTLEY



R. E. GEORGE
Commander, MSC, USN
Chairman
Radiation Biology Department



MYRON I. VARON
Captain MC USN
Director

ARMED FORCES RADIOBIOLOGY RESEARCH INSTITUTE
Defense Nuclear Agency
Bethesda, Maryland

TABLE OF CONTENTS

	Page
Abstract	iii
I. Introduction	1
II. Materials	2
III. Procedure	2
IV. Results	4
V. Discussion	6
References	8

LIST OF FIGURES

Figure 1. Diagram of the flow manifold for the automated determination of L-fucose	3
Figure 2. Positive increment in optical density, 400 nm - 420 nm, produced by various concentrations of L-fucose in an automated analytical system	5
Figure 3. Actual strip chart recording of percent transmission obtained simultaneously at 400 nm and 420 nm with various samples	5

TABLE

Table I. Fucose Content of a Human Serum Pool Obtained by Two Different Analytical Methods	6
--	---

ABSTRACT

An automated method is presented for the determination of L-fucose in serum glycoproteins. The procedure utilizes the cysteine-sulfuric acid reaction after mild acid hydrolysis of glycoprotein material. Details for flow manifold construction are presented together with data concerning the specificity and precision of the method.

I. INTRODUCTION

Studies of serum glycoprotein fucose levels in radiation therapy patients and of glycoprotein biosynthesis in irradiated animals produced a requirement for a specific and highly sensitive procedure for fucose analysis having a capability for large numbers of assays. The development of an automated method satisfying these requirements is the subject of this report.

The determination of the methylpentose L-fucose (6-deoxy-L-galactose) in glycoproteins is usually performed by Winzler's⁶ modification of the cysteine-sulfuric acid reaction described by Dische and Shettles;¹ however, it has been demonstrated at this laboratory⁵ and by other investigators^{3,4} that nonfucose moieties of glycoproteins contribute spurious chromogens to the reaction. The fucose level obtained by Winzler's method, although a measure of methylpentose content, is not the true level when assaying samples containing large amounts of neutral hexoses (galactose and mannose).⁵

To circumvent this problem and thereby obtain a better estimation of the true fucose content of glycoproteins it is necessary to use one of three alternatives: first, to employ the specificity inherent in enzyme methods; second, to employ an internal standard;¹ or third, to reduce the effect (amount) of interfering nonfucose moieties in the cysteine-sulfuric acid reaction. With regard to the first, an enzyme assay employing L-fucose dehydrogenase isolated from pork liver has been proposed,² but the enzyme is not commercially available and its preparation is time consuming and beyond the capability of most clinical laboratories. The second alternative cannot be applied to the fucose analysis of glycoproteins⁵ although it has been suggested

as the method of choice for biological samples.¹ Lastly, the third alternative could be achieved by introducing a preliminary acid treatment of the glycoprotein material to hydrolyze terminal fucose residues. The latter has been suggested by Gyorky and Houck³ and forms the basis of the automated method proposed in this report.

II. MATERIALS

The reagents used on the flow manifold are those previously described by Dische and Shettles¹ and consist of 85 percent (v/v) sulfuric acid and 3 percent (w/v) aqueous cysteine hydrochloride. The concentration of working aqueous standards of L-fucose covers the range 5 to 20 $\mu\text{g}/\text{ml}$. Cysteine and working fucose standard solutions are prepared just prior to use.

III. PROCEDURE

Serum glycoproteins contained in 100 μl of serum were precipitated by the addition of 1 ml of 10 percent (w/v) trichloroacetic acid (TCA) and were centrifuged at 12,000 rpm for 10 minutes in a refrigerated Sorvall RC-2 centrifuge; the supernatant was decanted and discarded. Excess liquid was allowed to drain from the inverted centrifuge tubes for 10 minutes. The precipitate was then hydrolyzed in 1 ml of 0.6 N sulfuric acid for 75 minutes at 100°C. Optimum hydrolysis occurs in 0.6 N sulfuric acid³ and is essentially complete in 75 minutes.⁵

After hydrolysis and cooling, solubilized proteins were reprecipitated with the addition of 1 ml of cold 10 percent TCA and recentrifuged as described above. The acid supernatant was used for analysis. TCA does not interfere with the fucose-cysteine-sulfuric acid color reaction.³

The flow diagram for the procedure using the AutoAnalyzer (Technicon Corporation, Tarrytown, New York) is shown in Figure 1. We have routinely operated the

system at a sampling rate of 40 per hour with a water wash between samples to obtain optimum resolution of sample peaks.

The hydrolysate is segmented with air, mixed with cold (5°C) sulfuric acid and heated to 95°C by passing the solution through a 40-foot glass coil submerged in an oil bath.

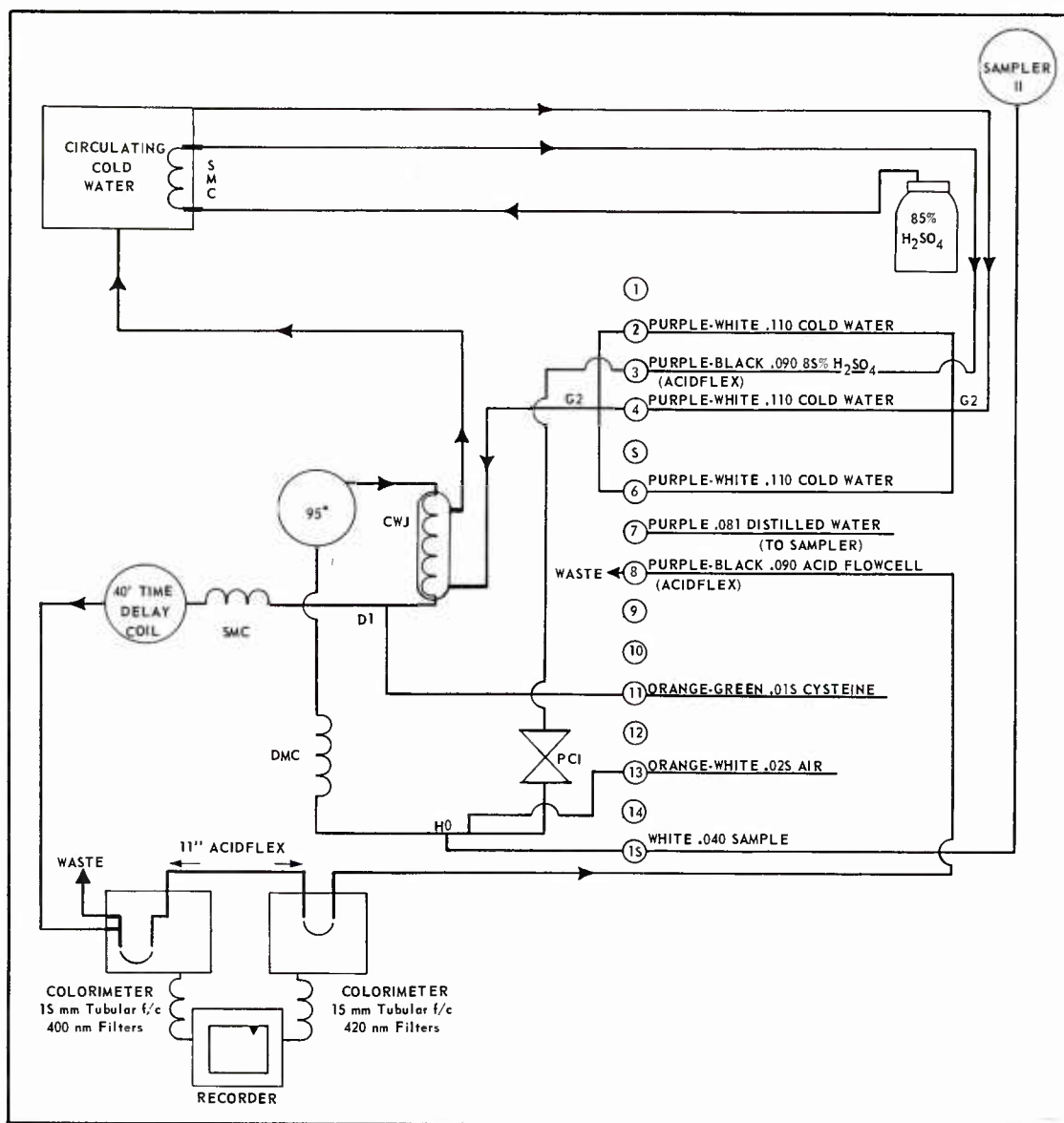


Figure 1. Diagram of the flow manifold for the automated determination of L-fucose. Glass fittings (Bulletin GF3, Technicon Corporation) and tube sizes are Technicon designations.

The cysteine reagent enters the stream after the acid solution has been cooled by a single pass through a cold (5°C) water-jacketed mixing coil. After a total delay of 37 minutes, from the time of sample aspiration, the yellow color produced in the reaction is measured at 400 nm and 420 nm in two 15-mm flowcell colorimeters connected in series. Correction for the chromogens produced by the small amount of nonfucose sugars present in the acid hydrolysate³ is achieved by using the absorption at 420 nm as a measure of these chromogens⁵ rather than 430 nm or 427 nm as reported by Dische and Shettles.¹ The time delay in the system was achieved by using both a proportioning pump modified to operate at 60 percent of its maximum speed and the 40-foot glass coil.

Results were calculated by comparing the increment in optical density, O. D. 400 nm - O. D. 420 nm, of the unknowns with that obtained with a series of standards and corrected by sample volume and dilution factors.

IV. RESULTS

Figure 2 shows the linear relationship between the increment in optical density (400 nm - 420 nm) and fucose concentration obtained with the automated technique. Figure 3 is an actual strip chart recording of a series of aqueous standards (5, 10, 20, and 40 $\mu\text{g}/\text{ml}$) followed by duplicate analyses of a sample obtained from a pool of human serum. The remaining six peaks were obtained by adding 20 μg of fucose contained in 1 ml of 0.6 N sulfuric acid to the human serum pool at the acid hydrolysis step described above. Although there is some carry-over from the highest standard to the first human pool sample, it had no effect on the increment, O. D. 400 nm - O. D. 420 nm, obtained for the two samples. The range in increment obtained with

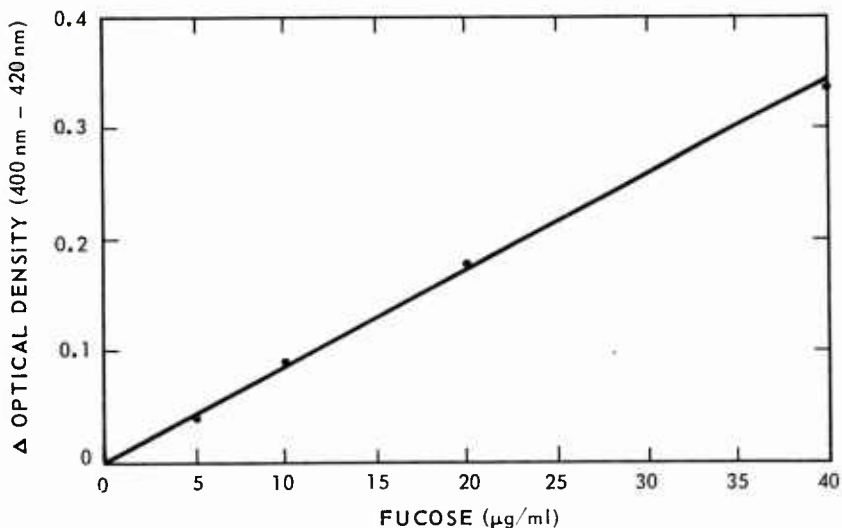


Figure 2. Positive increment in optical density, 400 nm - 420 nm, produced by various concentrations of L-fucose in an automated analytical system

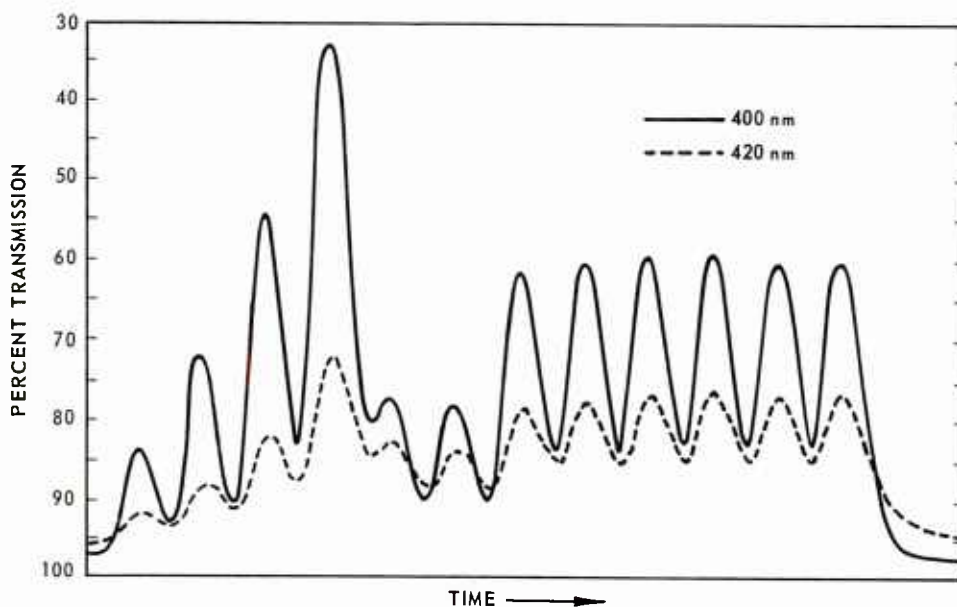


Figure 3. Actual strip chart recording of percent transmission obtained simultaneously at 400 nm and 420 nm with various samples. Identification of sample peaks is from left to right; peaks one through four represent 5, 10, 20, and 40 μg L-fucose per ml of distilled water, peaks five and six represent pooled human serum (PHS). The remaining six peaks are PHS with 20 μg of added fucose (see text).

the six human pool samples containing added fucose was 0.106 to 0.112 optical density units which is equivalent to a variation of 0.75 $\mu\text{g}/\text{ml}$.

Table I shows the results obtained when a human serum pool sample was assayed by the proposed automated method and by a manual enzyme method employing L-fucose dehydrogenase (FDH).⁵ There is no significant difference between the mean values obtained by the two methods. The standard deviation for the automated method is one-half that of the enzyme method.

Table I. Fucose Content of a Human Serum Pool Obtained by Two Different Analytical Methods

Method*	Fucose (mg/100 ml) [†]
Automated (10)	7.2 \pm 0.7
Manual, FDH [‡] (10)	6.6 \pm 1.4

* Number of replicate analyses is shown in parentheses

[†] Value shown is the mean \pm the standard deviation

[‡] L-fucose dehydrogenase methodology has been previously described⁵

V. DISCUSSION

Unlike the manual method originally proposed by Dische and Shettles,¹ the automated method does not require that optical density readings be obtained with and without cysteine. This is attributable to the elimination of many protein-bound organic substances from the reaction by the hydrolysis procedure used in the preliminary treatment of the serum glycoprotein samples. This latter advantage is in addition to the following advantages: (1) a reduction in standard deviation, and (2) a reduction in the amount of interference produced by nonfucose moieties so that a fucose

value is obtained which more closely resembles the "true" fucose level than the manual procedure published by Winzler.⁶

The only apparent disadvantage to the automated method is the same as that of any other automated method employing concentrated sulfuric acid under constant pressure. Care must be taken to insure that all manifold tubing and connections are properly assembled and free of any restrictions.

REFERENCES

1. Dische, Z. and Shettles, L. B. A specific color reaction of methylpentoses and a spectrophotometric micromethod for their determination. *J. Biol. Chem.* 175:595-603, 1948.
2. Finch, P. R., Yuen, R., Schachter, H. and Moscarello, M. A. Enzymic methods for the micro assay of D-mannose, D-glucose, D-galactose, and L-fucose from acid hydrolyzates of glycoproteins. *Anal. Biochem.* 31:296-305, 1969.
3. Gyorky, G. and Houck, J. C. The determination of terminal protein-bound fucose. *Canad. J. Biochem.* 43:1807-1811, 1965.
4. McMillan, D. E., Sauer, J. H. and Forsham, P. H. Problems in the determination of serum fucose in diabetes mellitus. *Metabolism* 17:105-107, 1968.
5. Sobocinski, P. Z., Canterbury, W. J. and Hartley, K. M. Determination of L-fucose in glycoproteins. I. Effect of nonfucose moieties of serum glycoproteins. Bethesda, Maryland, Armed Forces Radiobiology Research Institute Scientific Report SR72-6, 1972.
6. Winzler, R. J. Determination of serum glycoproteins. *Meth. Biochem. Anal.* 2:279-311, 1955.

DISTRIBUTION LIST

AIR FORCE

The Surgeon General, U.S. Department of the Air Force, Washington, D. C. 20314 (1)
Executive Officer, Director of Professional Services, Office of the Surgeon General, Hq. USAF (AFMSPA),
Washington, D. C. 20314 (1)
Headquarters, U. S. Air Force (AFMSPAB), Washington, D. C. 20314 (1)
Office of the Command Surgeon (ADCSG), Hq. ADC, USAF, Ent AFB, Colorado 80912 (1)
Air Force Weapons Laboratory, ATTN: WLIL (1), ATTN: WLRB-2 (1), Kirtland AFB, New Mexico 87117 (2)
Chief, Nuclear Medicine Department, P. O. Box 5088, USAF Hospital, Wright-Patterson AFB, Ohio 45433 (1)
USAFSAM (RA), ATTN: Chief, Radiobiology Division, Brooks AFB, Texas 78235 (1)
USAFSAM, ATTN: EDAD, Brooks AFB, Texas 78235 (1)

ARMY

The Surgeon General, U. S. Department of the Army, Washington, D. C. 20314 (1)
Surgeon General, ATTN: MEDDH-N, U. S. Department of the Army, Washington, D. C. 20314 (1)
USACDC CSSG, Doctrine Division, Fort Lee, Virginia 23801 (1)
Commanding Officer, USACDC CBR Agency, Fort McClellan, Alabama 36201 (1)
Commanding Officer, U. S. Army Combat Developments Command, Institute of Nuclear Studies, Fort Bliss, Texas
79916 (1)
CG, USCONARC, ATTN: ATUTR-TNG (NBC), Fort Monroe, Virginia 23351 (1)
Nuclear Branch AMCRD-DN-RE, U. S. Army Materiel Command, Washington, D. C. 20315 (1)
Commanding Officer, U. S. Army Medical Research Laboratory, Fort Knox, Kentucky 40121 (1)
Commanding Officer, USA Nuclear Medical Research Detachment, Europe, APO New York, N. Y. 09180 (2)
Chief of Research and Development, ATTN: Nuclear, Chemical and Biological Division, U. S. Department of the
Army, Washington, D. C. 20310 (1)
Army Research Office, ATTN: Chief, Scientific Analysis Branch, Life Sciences Division, 3045 Columbia Pike,
Arlington, Virginia 22204 (1)
Division of Nuclear Medicine, Walter Reed Army Institute of Research, Walter Reed Army Medical Center,
Washington, D. C. 20012 (5)
Commanding Officer, U. S. Army Environmental Hygiene Agency, ATTN: USAEHA-RP, Edgewood Arsenal, Mary-
land 21010 (1)
Commandant, U. S. Army Medical Field Service School, ATTN: MEDEW-ZNW, Fort Sam Houston, Texas 78234 (1)

NAVY

Chief, Bureau of Medicine and Surgery, U. S. Navy Department, Washington, D. C. 20390 (1)
Chief, Bureau of Medicine and Surgery, ATTN: Code 71, U. S. Navy Department, Washington, D. C. 20390 (1)
Commanding Officer, Naval Aerospace Medical Institute, Naval Aviation Medical Center, ATTN: Director of
Research, Pensacola, Florida 32512 (3)
Commanding Officer, Nuclear Weapons Training Center, Atlantic, Nuclear Warfare Department, Norfolk, Virginia
23511 (1)
Commanding Officer, Nuclear Weapons Training Center, Pacific, U. S. Naval Air Station, North Island, San Diego,
California 92135 (1)
Director, Biological Sciences Division, Office of Naval Research, Washington, D. C. 20360 (1)
Commanding Officer, U. S. Naval Hospital, ATTN: Director, REEL, National Naval Medical Center, Bethesda,
Maryland 20014 (1)
Head, Animal Behavioral Sciences Branch, Naval Aerospace Medical Institute, Naval Aerospace Medical Center,
ATTN: Dr. John S. Thach, Jr., Pensacola, Florida 32512 (1)
Commanding Officer, Naval Submarine Medical Center, Naval Submarine Base, NL, ATTN: Medical Library,
Groton, Connecticut 06340 (1)
Commanding Officer, Naval Submarine Medical Center, Naval Submarine Base, NL, ATTN: Code 53, Nuclear Medi-
cine Training Division, Groton, Connecticut 06340 (1)

D. O. D.

Director, Defense Nuclear Agency, Washington, D. C. 20305 (1)
Director, Defense Nuclear Agency, ATTN: DDST, Washington, D. C. 20305 (1)
Director, Defense Nuclear Agency, ATTN: Mr. P. H. Haas, DDST, Washington, D. C. 20305 (1)
Director, Defense Nuclear Agency, ATTN: Chief, Radiation Directorate, Washington, D. C. 20305 (1)

D.O.D. (continued)

- Director, Defense Nuclear Agency, ATTN: Technical Library (APTL), Washington, D. C. 20305 (2)
Commanding Officer, Harry Diamond Laboratories, ATTN: Nuclear Vulnerability Branch, Washington, D. C.
20438 (1)
Commander, Field Command, Defense Nuclear Agency, ATTN: FC Technical Library, Kirtland AFB, New Mexico
87117 (1)
Commander, Headquarters Field Command, Defense Nuclear Agency, ATTN: FCTG8, Kirtland AFB, New Mexico
87117 (2)
Director, Armed Forces Institute of Pathology, Washington, D. C. 20305 (1)
Administrator, Defense Documentation Center, Cameron Station, Bldg. 5, Alexandria, Virginia 22314 (12)

OTHER GOVERNMENT

- U. S. Atomic Energy Commission, Headquarters Library, Reports Section, Mail Station G-17, Washington, D. C.
20545 (1)
U. S. Atomic Energy Commission, Division of Biology and Medicine, Washington, D. C. 20545 (1)
U. S. Atomic Energy Commission, Bethesda Technical Library, 7920 Norfolk Avenue, Bethesda, Maryland 20014 (1)
National Aeronautics and Space Administration, Manned Spacecraft Center, ATTN: Dr. Charles M. Barnes,
Code DC7, Houston, Texas 77058 (1)
National Aeronautics and Space Administration, Manned Spacecraft Center, ATTN: Dr. B. D. Newsom, Code DB4,
Houston, Texas 77058 (1)
National Bureau of Standards, ATTN: Chief, Radiation Physics Division, Washington, D. C. 20234 (1)
U. S. Public Health Service, Bureau of Radiological Health, Division of Biological Effects, 12720 Twinbrook Park-
way, Rockville, Maryland 20852 (1)
U. S. Public Health Service, Bureau of Radiological Health, Library, 12720 Twinbrook Parkway, Rockville, Mary-
land 20852 (1)
U. S. Public Health Service, Northeastern Radiological Health Laboratory, 109 Holton Street, Winchester, Massa-
chusetts 01890 (1)
U. S. Public Health Service, Southeastern Radiological Health Laboratory, P. O. Box 61, Montgomery, Alabama
36101 (1)
U. S. Public Health Service, Southwestern Radiological Health Laboratory, P. O. Box 15027, Las Vegas, Nevada
89114 (1)

OTHER

- Argonne National Laboratory, Library Services Department, Report Section Bldg. 203, RM-CE-125, 9700 South
Cass Avenue, Argonne, Illinois 60440 (1)
Dr. Donald G. Baker, Radiobiology Department, Zellerbach Saroni Tumor Institute, 1600 Divisadero Street,
San Francisco, California 94115 (1)
Dr. J. T. Brennan, Radiology Department, University of Pennsylvania, 3400 Spruce Street, Philadelphia, Pennsyl-
vania 19104 (1)
Brookhaven National Laboratory, Information Division, ATTN: Research Library, Upton, Long Island, New York
11973 (2)
Dr. J. S. Burkle, Director of Nuclear Medicine, York Hospital, York, Pennsylvania 17403 (1)
S. C. Bushong, Department of Radiology, Baylor University College of Medicine, Houston, Texas 77024 (1)
University of California, Lawrence Radiation Laboratory, Library, Bldg. 50, Room 134, Berkeley, California
94720 (1)
Director, Radiobiology Laboratory, University of California, Davis, California 95616 (1)
University of California, Lawrence Radiation Laboratory, Technical Information Division Library L-3, P. O. Box
808, Livermore, California 94551 (2)
University of California, Laboratory of Nuclear Medicine and Radiation Biology, Library, 900 Veteran Avenue,
Los Angeles, California 90024 (1)
Dr. C. Jelleff Carr, Director, Life Sciences Research Office, Federation of American Societies for Experimental
Biology, 9650 Rockville Pike, Bethesda, Maryland 20014 (1)
Cdr. William H. Chapman, USN (Ret.), Bio-Medical Division L-523, Lawrence Radiation Laboratory, University of
California, P. O. Box 808, Livermore, California 94551 (1)
Director, Collaborative Radiological Health Laboratory, Colorado State University, Fort Collins, Colorado 80521 (1)
Dr. L. W. Davis, Radiology Department, University of Pennsylvania, 3400 Spruce Street, Philadelphia, Pennsyl-
vania 19104 (1)
Professor Merril Eisenbud, New York University, Tuxedo, New York 10987 (1)
Dr. T. C. Evans, Radiation Research Laboratory, College of Medicine, University of Iowa, Iowa City, Iowa 52240 (1)

OTHER (continued)

- Dr. Arnold Feldman, Institute of Radiology, School of Medicine, Washington University, 510 South Kingshighway, St. Louis, Missouri 63110 (1)
- Mr. Orin Gelderloos, Division of Literature, University of Michigan, Dearborn Campus, Dearborn, Michigan 48124 (1)
- General Dynamics/Fort Worth, ATTN: Librarian, P. O. Box 748, Fort Worth, Texas 76101 (1)
- Gulf General Atomic Incorporated, ATTN: Library, P. O. Box 608, San Diego, California 92112 (1)
- Dr. James E. Huff, Department of Pharmacology and Toxicology, School of Medicine and Dentistry, University of Rochester, 260 Crittenden Blvd., Rochester, New York 14620 (1)
- IIT Research Institute, ATTN: Document Library, 10 West 35th Street, Chicago, Illinois 60616 (1)
- Johns Hopkins University, Applied Physics Laboratory, ATTN: Document Library, 8621 Georgia Avenue, Silver Spring, Maryland 20910 (1)
- Dr. R. F. Kallman, Department of Radiology, Stanford University, Palo Alto, California 94305 (1)
- Dr. L. S. Kelly, Donner Laboratory, University of California at Berkeley, Berkeley, California 94720 (1)
- Dr. Robert Landolt, Bionucleonics Department, Purdue University, Lafayette, Indiana 47907 (1)
- Los Alamos Scientific Laboratory, ATTN: Report Librarian, P. O. Box 1663, Los Alamos, New Mexico 87544 (1)
- Director, Nuclear Science Center, Louisiana State University, Baton Rouge, Louisiana 70803 (2)
- Lovelace Foundation for Medical Education and Research, Document Library, 5200 Gibson Blvd., S. E., Albuquerque, New Mexico 87108 (1)
- Dr. Ross A. McFarland, Guggenheim Professor of Aerospace Health and Safety, Harvard School of Public Health, 665 Huntington Avenue, Boston, Massachusetts 02115 (1)
- Dr. J. I. Marcum, Rand Corporation, 1700 Main Street, Santa Monica, California 90401 (1)
- Massachusetts Institute of Technology, M.I.T. Libraries, Technical Reports, Room 14 E-210, Cambridge, Massachusetts 02139 (1)
- Dr. Charles W. Mays, Physics Group Leader, Radiobiology Division, University of Utah, Salt Lake City, Utah 84112 (1)
- Ohio State University, Nuclear Reactor Laboratory, 1298 Kinnear Road, Columbus, Ohio 43212 (1)
- Dr. Harvey M. Patt, Laboratory of Radiobiology, University of California, San Francisco Medical Center, San Francisco, California 94122 (1)
- Purdue University, Nuclear Engineering Library, Lafayette, Indiana 47907 (1)
- Dr. S. M. Reichard, Director, Division of Radiobiology, Medical College of Georgia, Augusta, Georgia 30902 (1)
- Dr. H. H. Rossi, 630 West 168th Street, New York, N. Y. 10032 (1)
- Dr. Eugene L. Saenger, Director, Radioisotope Laboratory, Cincinnati General Hospital, Cincinnati, Ohio 45229 (1)
- Sandia Corporation Library, P. O. Box 5800, Albuquerque, New Mexico 87115 (1)
- Scientific Committee on the Effects of Atomic Radiation, ATTN: Library, United Nations Room 3267, United Nations Plaza, New York, N. Y. 10017 (1)
- Scope Publications, Franklin Station, P. O. Box 7407, Washington, D. C. 20004 (1)
- Texas A and M University, Radiation Biology Laboratory, Texas Engineering Experiment Station, College Station, Texas 77840 (2)
- Texas Nuclear Corporation, ATTN: Director of Research, Box 9267 Allandale Station, Austin, Texas 78756 (1)
- University of Rochester, Atomic Energy Project Library, P. O. Box 287, Station 3, Rochester, New York 14620 (1)
- University of Southern California, Nuclear Physics Laboratory, University Park, Los Angeles, California 90007 (1)
- Western Reserve University, Department of Radiology, Division of Radiation Biology, Cleveland, Ohio 44106 (1)
- Mr. Lionel Zamore, 601 Brightwater Court, Brooklyn, New York 11235 (1)

FOREIGN

- International Atomic Energy Agency, Kärntnering 11, Vienna I. 1010, Austria (1)
- European Atomic Energy Community, C. E. E. A., Library, 51 rue Belliard, Brussels 4, Belgium (1)
- Dr. L. G. Lajtha, Paterson Laboratories, Christie Hospital and Holt Radium Institute, Manchester, England (1)
- Dr. L. F. Lamerton, Biophysics Department, Institute of Cancer Research, Surrey Branch, Belmont, Sutton, Surrey, England (1)
- National Lending Library for Science and Technology, Boston Spa, Yorkshire, England (1)
- Directorate of Medical and Health Services, FAF (Federal Armed Forces), Bonn, Ermekeilstrasse 27, West Germany (1)
- Abteilung für Strahlenbiologie im Institut für Biophysik der Universität Bonn, 53 Bonn-Venusberg, Annaberger Weg 15, Federal Republic of Germany (2)
- Prof. Dr. H. Langendorff, Direktor des Radiologischen Instituts der Universität, 78 Freiburg im Breisgau, Albertstrasse 23, Germany (1)

FOREIGN (continued)

- Priv.-Doz. Dr. O. Messerschmidt, Radiologisches Institut der Universität, 78 Freiburg im Breisgau, Albertstrasse 23, Germany (1)
- Dr. Helmut Mitschrich, Sanitätsamt der Bundeswehr, 53 Bonn-Beuel, Zingsheimstrasse 5, Germany (2)
- Prof. Dr. F. Wachsmann, Gesellschaft für Strahlenforschung m.b.H., 8042 Neuherberg bei München, Institut für Strahlenschutz, Ingolstadter Landstrasse 1, München, Germany (1)
- Dr. M. Feldman, Section of Cell Biology, The Weizmann Institute of Science, Rehovoth, Israel (1)
- Dr. G. W. Barendsen, Radiobiological Institute TNO, Rijswijk, Netherlands (1)
- Dr. L. M. van Putten, Radiobiological Institute TNO, 151 Lance Kleiweg, Rijswijk 2 H, Netherlands (1)
- Puerto Rico Nuclear Center, ATTN: Reading Room, College Station, Mayaguez, Puerto Rico 00708 (2)
- Dr. H. Cottier, Pathological Institut der Universität, Bern, Switzerland (1)

UNCLASSIFIED

Security Classification

DOCUMENT CONTROL DATA - R & D

(Security classification of title, body of abstract and indexing annotation must be entered when the overall report is classified)

1. ORIGINATING ACTIVITY (Corporate author) Armed Forces Radiobiology Research Institute Defense Nuclear Agency Bethesda, Maryland 20014		2a. REPORT SECURITY CLASSIFICATION UNCLASSIFIED	
		2b. GROUP N/A	
3. REPORT TITLE DETERMINATION OF L-FUCOSE IN GLYCOPROTEINS II. AN AUTOMATED METHOD FOR THE DETERMINATION OF L-FUCOSE IN SERUM GLYCOPROTEIN HYDROLYSATES			
4. DESCRIPTIVE NOTES (Type of report and inclusive dates)			
5. AUTHOR(S) (First name, middle initial, last name) P. Z. Sobocinski, W. J. Canterbury and K. M. Hartley			
6. REPORT DATE April 1972		7a. TOTAL NO. OF PAGES 14	7b. NO. OF REFS 6
8a. CONTRACT OR GRANT NO.		9a. ORIGINATOR'S REPORT NUMBER(S) AFRRI SR72-7	
b. PROJECT NO. NWER XAXM			
c. Task and Subtask C 901		9b. OTHER REPORT NO(S) (Any other numbers that may be assigned this report)	
d. Work Unit 03			
10. DISTRIBUTION STATEMENT Approved for public release; distribution unlimited			
11. SUPPLEMENTARY NOTES		12. SPONSORING MILITARY ACTIVITY Director Defense Nuclear Agency Washington, D. C. 20305	
13. ABSTRACT An automated method is presented for the determination of L-fucose in serum glycoproteins. The procedure utilizes the cysteine-sulfuric acid reaction after mild acid hydrolysis of glycoprotein material. Details for flow manifold construction are presented together with data concerning the specificity and precision of the method.			