

AD 688513

ECOM - 5242  
March 1969

AD

# OZONE MEASUREMENTS FROM A STABLE PLATFORM NEAR THE STRATOPAUSE LEVEL

by

J. S. Randhawa

**ATMOSPHERIC SCIENCES LABORATORY**  
WHITE SANDS MISSILE RANGE, NEW MEXICO

DDC  
RECEIVED  
JUN 13 1969  
RECEIVED  
C

Distribution of this  
report is unlimited

# ECOM

UNITED STATES ARMY ELECTRONICS COMMAND

This document has been approved  
for public release and sale; its  
distribution is unlimited.

Reproduced by the  
CLEARINGHOUSE  
for Federal Scientific & Technical  
Information Springfield Va 22151

OZONE MEASUREMENTS FROM A STABLE  
PLATFORM NEAR THE STRATOPAUSE LEVEL

By

J. S. Randhawa

ECOM-5242

March 1969

DA Task 1T061102B53A-18

ATMOSPHERIC SCIENCES LABORATORY  
WHITE SANDS MISSILE RANGE, NEW MEXICO

Distribution of this  
report is unlimited.

## ABSTRACT

The rocket-borne ozonesonde developed at the Atmospheric Sciences Laboratory, White Sands Missile Range, New Mexico, was modified and launched on a 28 million cubic foot balloon, along with other sensors, at sunrise on 11 September 1968. The data received as the balloon floated near the stratopause level show a concentration of ozone which is one order of magnitude more than the concentration of ozone which has been measured by spectrometric methods. The marked increase in the ozone concentration observed immediately after sunset at the 40 km level is of great significance to an understanding of the photochemistry of ozone.

CONTENTS

	Page
ABSTRACT - - - - -	iii
INTRODUCTION - - - - -	1
EXPERIMENT - - - - -	1
RESULTS AND DISCUSSION - - - - -	4
CONCLUSIONS- - - - -	4
REFERENCES - - - - -	6

## INTRODUCTION

The electrochemical ozonesonde developed by Brewer (1960) and chemiluminescent ozonesonde developed by Regener (1964) are regularly carried aloft on balloons to monitor the ozone concentration up to the 30-35 km altitude level. Observations above this level are very sporadic. Recently, a rocket-borne ozonesonde was developed (Randhawa, 1967) which is capable of monitoring the ozone concentration from 65 km altitude to the tropopause level. Ozone is detected by the chemiluminescence process as the instrument floats downward on a parachute.

This rocket-borne ozonesonde was modified to include a constant-volume sampling pump and launched at sunrise, along with other sensors, on a 28 million cubic foot balloon from White Sands Missile Range on 11 September 1968.

## INSTRUMENT

A constant-volume sampling pump, made from Teflon, replaced the reservoir incorporated in the self-pumping feature of the rocket-borne ozonesonde. As in earlier models the inlet channel was made out of black plexiglass. A line drawing of the instrument is shown in Figure 1. The power supply and telemetry system were common to all the sensors which were mounted on a hexagonal frame, with the battery pack in the center. The ozonesonde was insulated with plastic foam because of the low temperatures ( $-60^{\circ}\text{C}$ ) to which it would be subjected during balloon ascent. The data from the ozonesonde were transmitted on a 1680 MHz carrier frequency on a time-shared basis with the other sensors, providing one minute of data every five minutes during a time extending from 0830 to 1949 MST.

## EXPERIMENT

The balloon was launched at 0600 MST from Pony Site, White Sands Missile Range, and reached a peak altitude of 49 km after two and a half hours. Figure 2 shows the instrument package and the balloon just before the release. As the instrument passed through the tropopause, its high voltage power supply was affected by the extremely low temperatures to which it was subjected, and some initial ozone data were lost; the power supply resumed operation as it came out of the cold region. The balloon floated for about four hours at an essentially constant altitude (48.5 km) and then began losing altitude. Data were received continuously until 1949 MST

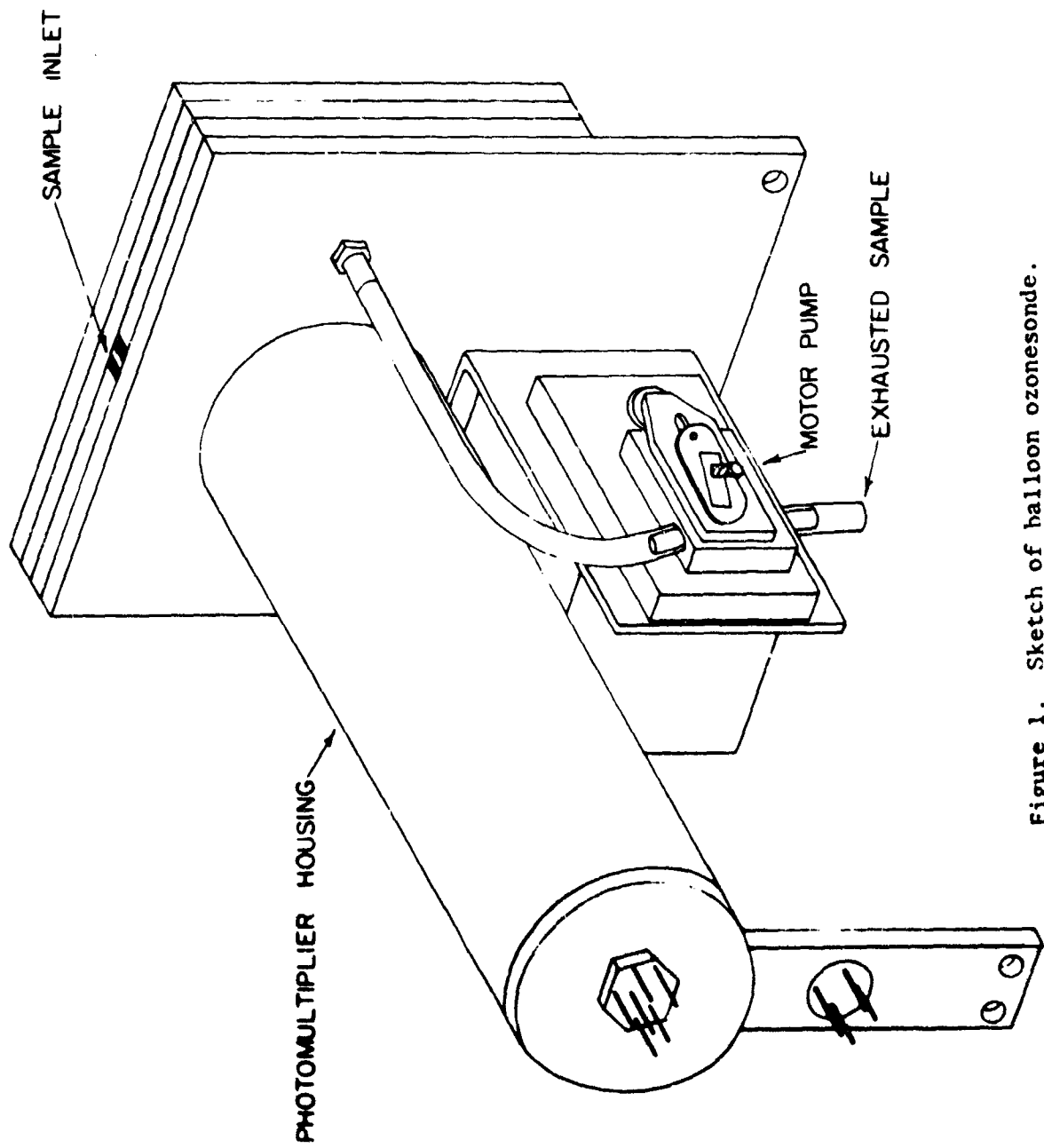


Figure 1. Sketch of balloon ozonesonde.

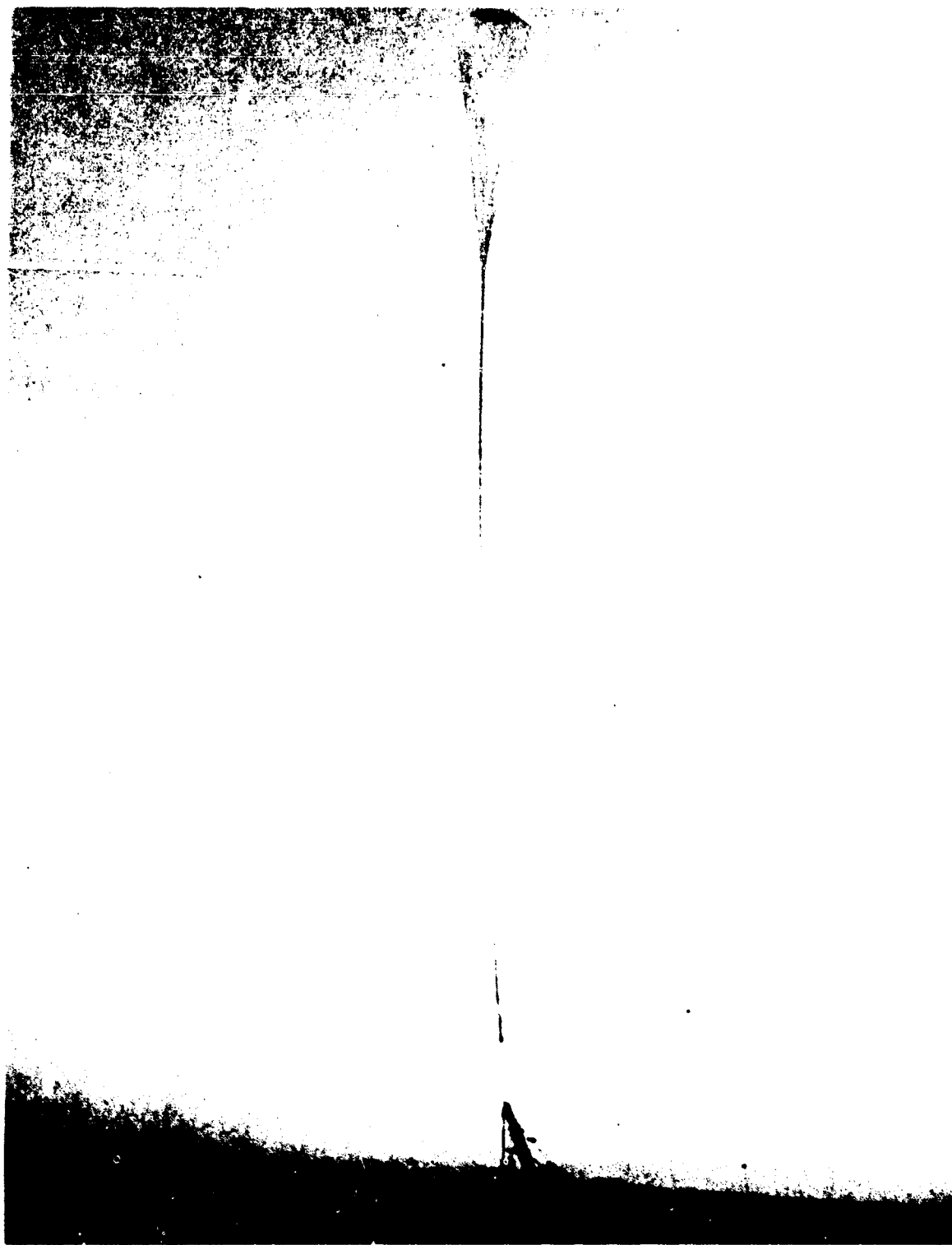


Figure 2. The instrument package and the balloon just prior to release.

at which time the balloon was at an altitude of 38 km. After that time the ozone instrument was again affected by the low temperatures.

#### RESULTS AND DISCUSSION

The data received from 0830 to 1949 MST as the balloon floated from White Sands Missile Range, across Arizona, to California are presented in Figure 3. The ozone concentration measured at the constant float level (48.5 km) varied between 50 and 100 gammas ( $\mu\text{g}/\text{m}^3$ ) which agrees with the data obtained from rocket-borne ozonesondes at these levels (Randhawa, 1968). The concentration increased in the afternoon as the balloon descended. This increase (200 gammas) is more than can be accounted for by the change in altitude alone, and it is believed that part of the increase may be due to the increase in the path length of the solar radiation as the zenith angle increased. The photochemical time scale calculated by Leovy (1969) by including reactions with hydrogen compounds is much shorter than the time scale predicted by classical theory. This short time scale could influence the ozone concentration down to much lower altitudes than previously considered theoretically.

Sunset relative to the balloon position occurred at 1918 MST. A marked increase in the ozone concentration was observed at 1919 MST, when the balloon was at an altitude of 40 km. This was the first time a sunset-related increase in ozone has been recorded from a stable balloon platform, although diurnal ozone variations (Randhawa, 1969) have been observed with rocket-borne ozonesondes at this level. The concentration recorded at sunset from the balloon ozonesonde is one hundred percent greater than that recorded before sunset and is of the same magnitude as that recorded by rocket-borne ozonesondes and an order of magnitude more than measured previously by spectrometric methods (Johnson, et al., 1952). A 5% uncertainty is estimated in these observations. There may be an additional uncertainty in the observations after 1840 MST because the high voltage power supply of the photomultiplier was affected by the low temperatures.

#### CONCLUSIONS

This balloon flight indicated that there is more ozone present at the stratopause level than has been measured previously by spectrometric methods. The marked change observed at 40 km at the time of sunset is of very great significance to an understanding of the photochemistry of ozone.



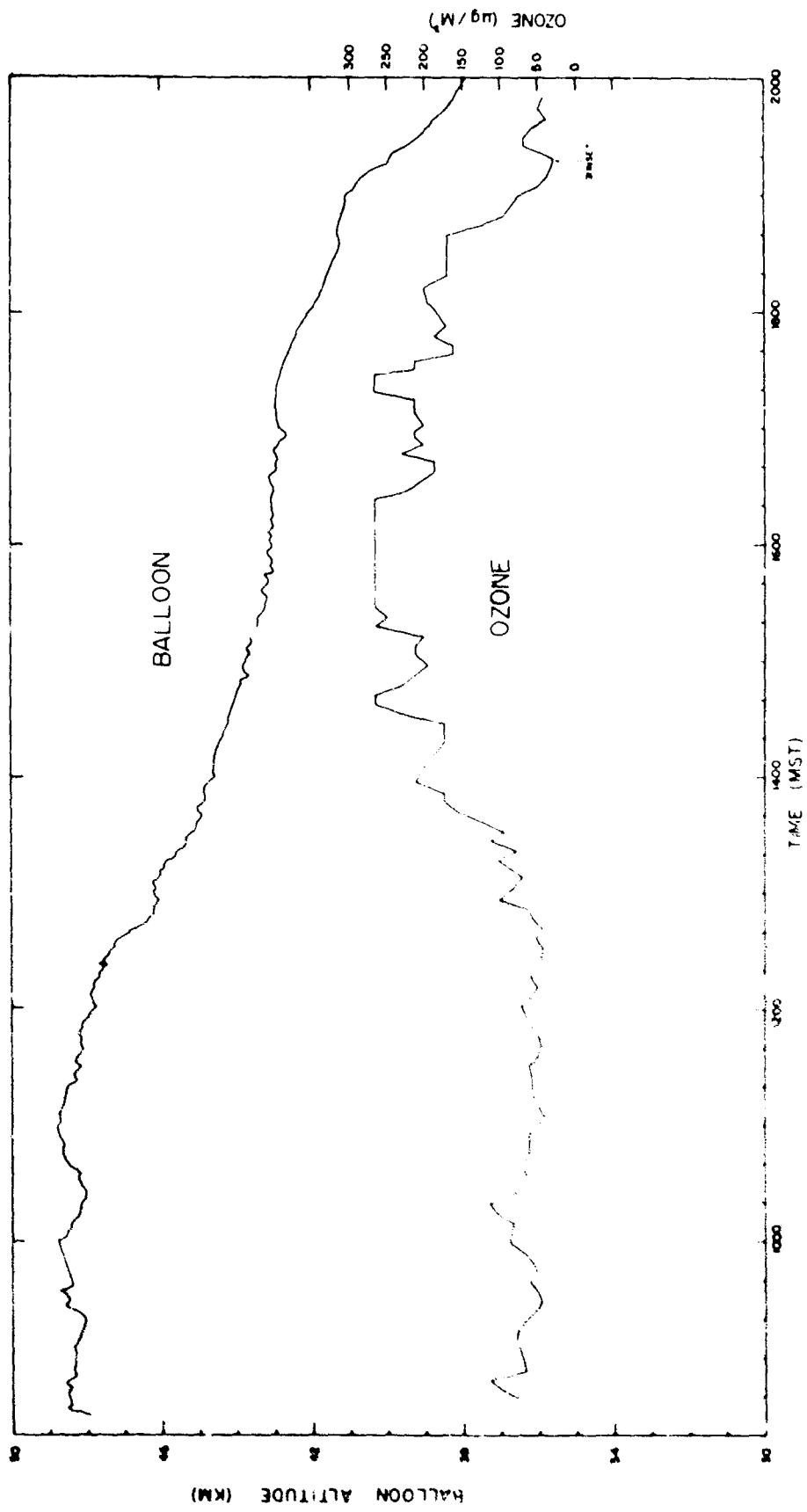


Figure 3. Ozone concentration versus altitude as the balloon floated from New Mexico to California.

#### REFERENCES

- Brewer, A. W., and J. R. Milford, 1960, "The Oxford-KEW Ozonesonde," Proc. Roy. Soc., London, A-256, 470-495.
- Johnson, F. S., J. D. Purcell, R. Tousey and K. Watanabe, 1952, "Direct Measurement of the Vertical Distribution of Atmospheric Ozone to 70 km Altitude," J. Geophys. Res., 57, 157-176.
- Leovy, C. B., 1969, "Atmospheric Ozone: An Analytic Model for Photochemistry in the Presence of Water Vapor," J. Geophys. Res., 74, 417-426.
- Randhawa, J. S., 1967, "Ozonesonde for Rocket Flight," Nature, 213, 53-54.
- Randhawa, J. S., 1968, "Rocket Measurement of Atmospheric Ozone," Technical Report ECOM-5169, Atmospheric Sciences Laboratory, White Sands Missile Range, New Mexico.
- Randhawa, J. S., 1969, "Rocket Measurements of Diurnal Variation of Atmospheric Ozone," Technical Report FCOM-5226, Atmospheric Sciences Laboratory, White Sands Missile Range, New Mexico.
- Regener, V. H., 1964, "Measurement of Atmospheric Ozone with Chemiluminescent Method," J. Geophys. Res., 69, 3795-3800.

#### ACKNOWLEDGEMENTS

The author wishes to acknowledge the help received from the staff of the Schellenger Research Laboratories, University of Texas at El Paso, in the accomplishment of the experiment. Special thanks are due to Mr. Lee Chapin for instrument development and Mr. Miguel Izquierdo for data reduction. Detachment 1 AFCL (OAR) Holloman Air Force Base was responsible for the balloon launch.

## ATMOSPHERIC SCIENCES RESEARCH PAPERS

1. Webb, W.L., "Development of Droplet Size Distributions in the Atmosphere," June 1954.
2. Hansen, F. V., and H. Rachele, "Wind Structure Analysis and Forecasting Methods for Rockets," June 1954.
3. Webb, W. L., "Net Electrification of Water Droplets at the Earth's Surface," *J. Meteorol.*, December 1954.
4. Mitchell, R., "The Determination of Non-Ballistic Projectile Trajectories," March 1955.
5. Webb, W. L., and A. McPike, "Sound Ranging Technique for Determining the Trajectory of Supersonic Missiles," #1, March 1955.
6. Mitchell, R., and W. L. Webb, "Electromagnetic Radiation through the Atmosphere," #1, April 1955.
7. Webb, W. L., A. McPike, and H. Thompson, "Sound Ranging Technique for Determining the Trajectory of Supersonic Missiles," #2, July 1955.
8. Barichivich, A., "Meteorological Effects on the Refractive Index and Curvature of Microwaves in the Atmosphere," August 1955.
9. Webb, W. L., A. McPike and H. Thompson, "Sound Ranging Technique for Determining the Trajectory of Supersonic Missiles," #3, September 1955.
10. Mitchell, R., "Notes on the Theory of Longitudinal Wave Motion in the Atmosphere," February 1956.
11. Webb, W. L., "Particulate Counts in Natural Clouds," *J. Meteorol.*, April 1956.
12. Webb, W. L., "Wind Effect on the Aerobee," #1, May 1956.
13. Rachele, H., and L. Anderson, "Wind Effect on the Aerobee," #2, August 1956.
14. Beyers, N., "Electromagnetic Radiation through the Atmosphere," #2, January 1957.
15. Hansen, F. V., "Wind Effect on the Aerobee," #3, January 1957.
16. Kershner, J., and H. Bear, "Wind Effect on the Aerobee," #4, January 1957.
17. Hoidale, G., "Electromagnetic Radiation through the Atmosphere," #3, February 1957.
18. Querfeld, C. W., "The Index of Refraction of the Atmosphere for 2.2 Micron Radiation," March 1957.
19. White, Lloyd, "Wind Effect on the Aerobee," #5, March 1957.
20. Kershner, J. G., "Development of a Method for Forecasting Component Ballistic Wind," August 1957.
21. Layton, Ivan, "Atmospheric Particle Size Distribution," December 1957.
22. Rachele, Henry and W. H. Hatch, "Wind Effect on the Aerobee," #6, February 1958.
23. Beyers, N. J., "Electromagnetic Radiation through the Atmosphere," #4, March 1958.
24. Prosser, Shirley J., "Electromagnetic Radiation through the Atmosphere," #5, April 1958.
25. Armendariz, M., and P. H. Taft, "Double Theodolite Ballistic Wind Computations," June 1958.
26. Jenkins, K. R. and W. L. Webb, "Rocket Wind Measurements," June 1958.
27. Jenkins, K. R., "Measurement of High Altitude Winds with Loki," July 1958.
28. Hoidale, G., "Electromagnetic Propagation through the Atmosphere," #6, February 1959.
29. McLardie, M., R. Helvey, and L. Traylor, "Low-Level Wind Profile Prediction Techniques," #1, June 1959.
30. Lamberth, Roy, "Gustiness at White Sands Missile Range," #1, May 1959.
31. Beyers, N. J., B. Hinds, and G. Hoidale, "Electromagnetic Propagation through the Atmosphere," #7, June 1959.
32. Beyers, N. J., "Radar Refraction at Low Elevation Angles (U)," Proceedings of the Army Science Conference, June 1959.
33. White, L., O. W. Thiele and P. H. Taft, "Summary of Ballistic and Meteorological Support During IGY Operations at Fort Churchill, Canada," August 1959.
34. Hainline, D. A., "Drag Cord-Aerovane Equation Analysis for Computer Application," August 1959.
35. Hoidale, G. B., "Slope-Valley Wind at WSMR," October 1959.
36. Webb, W. L., and K. R. Jenkins, "High Altitude Wind Measurements," *J. Meteorol.*, 16, 5, October 1959.

37. White, Lloyd, "Wind Effect on the Aerobee," #9, October 1959.
38. Webb, W. L., J. W. Coffman, and G. Q. Clark, "A High Altitude Acoustic Sensing System," December 1959.
39. Webb, W. L., and K. R. Jenkins, "Application of Meteorological Rocket Systems," *J. Geophys. Res.*, 64, 11, November 1959.
40. Duncan, Louis, "Wind Effect on the Aerobee," #10, February 1960.
41. Helvey, R. A., "Low-Level Wind Profile Prediction Techniques," #2, February 1960.
42. Webb, W. L., and K. R. Jenkins, "Rocket Sounding of High-Altitude Parameters," *Proc. GM Rel. Symp.*, Dept. of Defense, February 1960.
43. Armendariz, M., and H. H. Monahan, "A Comparison Between the Double Theodolite and Single-Theodolite Wind Measuring Systems," April 1960.
44. Jenkins, K. R., and P. H. Taft, "Weather Elements in the Tulareosa Basin," July 1960.
45. Beyers, N. J., "Preliminary Radar Performance Data on Passive Rocket-Borne Wind Sensors," *IRE TRANS, MIL ELECT, MIL-4, 2-3*, April-July 1960.
46. Webb, W. L., and K. R. Jenkins, "Speed of Sound in the Stratosphere," June 1960.
47. Webb, W. L., K. R. Jenkins, and G. Q. Clark, "Rocket Sounding of High Atmosphere Meteorological Parameters," *IRE Trans. Mil. Elect.*, MIL-4, 2-3, April-July 1960.
48. Helvey, R. A., "Low-Level Wind Profile Prediction Techniques," #3, September 1960.
49. Beyers, N. J., and O. W. Thiele, "Meteorological Wind Sensors," August 1960.
50. Armijo, Larry, "Determination of Trajectories Using Range Data from Three Non-collinear Radar Stations," September 1960.
51. Carnes, Patsy Sue, "Temperature Variations in the First 200 Feet of the Atmosphere in an Arid Region," July 1961.
52. Springer, H. S., and R. O. Olsen, "Launch Noise Distribution of Nike-Zeus Missiles," July 1961.
53. Thiele, O. W., "Density and Pressure Profiles Derived from Meteorological Rocket Measurements," September 1961.
54. Diamond, M. and A. B. Gray, "Accuracy of Missile Sound Ranging," November 1961.
55. Lamberth, R. L. and D. R. Veith, "Variability of Surface Wind in Short Distances," #1, October 1961.
56. Swanson, R. N., "Low-Level Wind Measurements for Ballistic Missile Application," January 1962.
57. Lamberth, R. L. and J. H. Grace, "Gustiness at White Sands Missile Range," #2, January 1962.
58. Swanson, R. N. and M. M. Hoidale, "Low-Level Wind Profile Prediction Techniques," #4, January 1962.
59. Rachele, Henry, "Surface Wind Model for Unguided Rockets Using Spectrum and Cross Spectrum Techniques," January 1962.
60. Rachele, Henry, "Sound Propagation through a Windy Atmosphere," #2, February 1962.
61. Webb, W. L., and K. R. Jenkins, "Sonic Structure of the Mesosphere," *J. Acous. Soc. Amer.*, 34, 2, February 1962.
62. Tourin, M. H. and M. M. Hoidale, "Low-Level Turbulence Characteristics at White Sands Missile Range," April 1962.
63. Miers, Bruce T., "Mesospheric Wind Reversal over White Sands Missile Range," March 1962.
64. Fisher, E., R. Lee and H. Rachele, "Meteorological Effects on an Acoustic Wave within a Sound Ranging Array," May 1962.
65. Walter, E. L., "Six Variable Ballistic Model for a Rocket," June 1962.
66. Webb, W. L., "Detailed Acoustic Structure Above the Tropopause," *J. Applied Meteorol.*, 1, 2, June 1962.
67. Jenkins, K. R., "Empirical Comparisons of Meteorological Rocket Wind Sensors," *J. Appl. Meteor.*, June 1962.
68. Lamberth, Roy, "Wind Variability Estimates as a Function of Sampling Interval," July 1962.
69. Rachele, Henry, "Surface Wind Sampling Periods for Unguided Rocket Impact Prediction," July 1962.
70. Traylor, Larry, "Coriolis Effects on the Aerobee-Hi Sounding Rocket," August 1962.
71. McCoy, J., and G. Q. Clark, "Meteorological Rocket Thermometry," August 1962.
72. Rachele, Henry, "Real-Time Prelaunch Impact Prediction System," August 1962.

73. Beyers, N. J., O. W. Thiele, and N. K. Wagner, "Performance Characteristics of Meteorological Rocket Wind and Temperature Sensors," October 1962.
74. Coffman, J., and R. Price, "Some Errors Associated with Acoustical Wind Measurements through a Layer," October 1962.
75. Armendariz, M., E. Fisher, and J. Serna, "Wind Shear in the Jet Stream at WS-MR," November 1962.
76. Armendariz, M., F. Hansen, and S. Carnes, "Wind Variability and its Effect on Rocket Impact Prediction," January 1963.
77. Querfeld, C., and Wayne Yunker, "Pure Rotational Spectrum of Water Vapor, I: Table of Line Parameters," February 1963.
78. Webb, W. L., "Acoustic Component of Turbulence," *J. Applied Meteorol.*, 2, 2, April 1963.
79. Beyers, N. and L. Engberg, "Seasonal Variability in the Upper Atmosphere," May 1963.
80. Williamson, L. E., "Atmospheric Acoustic Structure of the Sub-polar Fall," May 1963.
81. Lamberth, Roy and D. Veith, "Upper Wind Correlations in Southwestern United States," June 1963.
82. Sandlin, E., "An analysis of Wind Shear Differences as Measured by AN/FPS-16 Radar and AN/GMD-1B Rawinsonde," August 1963.
83. Diamond, M. and R. P. Lee, "Statistical Data on Atmospheric Design Properties Above 30 km," August 1963.
84. Thiele, O. W., "Mesospheric Density Variability Based on Recent Meteorological Rocket Measurements," *J. Applied Meteorol.*, 2, 5, October 1963.
85. Diamond, M., and O. Essenwanger, "Statistical Data on Atmospheric Design Properties to 30 km," *Astro. Aero. Engr.*, December 1963.
86. Hansen, F. V., "Turbulence Characteristics of the First 62 Meters of the Atmosphere," December 1963.
87. Morris, J. E., and B. T. Miers, "Circulation Disturbances Between 25 and 70 kilometers Associated with the Sudden Warming of 1963," *J. of Geophys. Res.*, January 1964.
88. Thiele, O. W., "Some Observed Short Term and Diurnal Variations of Stratospheric Density Above 30 km," January 1964.
89. Sandlin, R. E., Jr. and E. Armijo, "An Analysis of AN/FPS-16 Radar and AN/GMD-1B Rawinsonde Data Differences," January 1964.
90. Miers, B. T., and N. J. Beyers, "Rocketsonde Wind and Temperature Measurements Between 30 and 70 km for Selected Stations," *J. Applied Meteorol.*, February 1964.
91. Webb, W. L., "The Dynamic Stratosphere," *Astronautics and Aerospace Engineering*, March 1964.
92. Low, R. D. H., "Acoustic Measurements of Wind through a Layer," March 1964.
93. Diamond, M., "Cross Wind Effect on Sound Propagation," *J. Applied Meteorol.*, April 1964.
94. Lee, R. P., "Acoustic Ray Tracing," April 1964.
95. Reynolds, R. D., "Investigation of the Effect of Lapse Rate on Balloon Ascent Rate," May 1964.
96. Webb, W. L., "Scale of Stratospheric Detail Structure," *Space Research V*, May 1964.
97. Barber, T. L., "Proposed X-Ray-Infrared Method for Identification of Atmospheric Mineral Dust," June 1964.
98. Thiele, O. W., "Ballistic Procedures for Unguided Rocket Studies of Nuclear Environments (U)," Proceedings of the Army Science Conference, June 1964.
99. Horn, J. D., and E. J. Trawle, "Orographic Effects on Wind Variability," July 1964.
100. Hoidale, G., C. Querfeld, T. Hall, and R. Mireles, "Spectral Transmissivity of the Earth's Atmosphere in the 250 to 500 Wave Number Interval," #1, September 1964.
101. Duncan, L. D., R. Ensey, and B. Engebos, "Athena Launch Angle Determination," September 1964.
102. Thiele, O. W., "Feasibility Experiment for Measuring Atmospheric Density Through the Altitude Range of 60 to 100 KM Over White Sands Missile Range," October 1964.
103. Duncan, L. D., and R. Ensey, "Six-Degree-of-Freedom Digital Simulation Model for Unguided, Fin-Stabilized Rockets," November 1964.

104. Hoidale, G., C. Querfeld, T. Hall, and R. Mireles, "Spectral Transmissivity of the Earth's Atmosphere in the 250 to 500 Wave Number Interval," #2, November 1964.
105. Webb, W. L., "Stratospheric Solar Response," *J. Atmos. Sci.*, November 1964.
106. McCoy, J. and G. Clark, "Rocketsonde Measurement of Stratospheric Temperature," December 1964.
107. Farone, W. A., "Electromagnetic Scattering from Radially Inhomogeneous Spheres as Applied to the Problem of Clear Atmosphere Radar Echoes," December 1964.
108. Farone, W. A., "The Effect of the Solid Angle of Illumination or Observation on the Color Spectra of 'White Light' Scattered by Cylinders," January 1965.
109. Williamson, L. E., "Seasonal and Regional Characteristics of Acoustic Atmospheres," *J. Geophys. Res.*, January 1965.
110. Armendariz, M., "Ballistic Wind Variability at Green River, Utah," January 1965.
111. Low, R. D. H., "Sound Speed Variability Due to Atmospheric Composition," January 1965.
112. Querfeld, C. W., "Mie Atmospheric Optics," *J. Opt. Soc. Amer.*, January 1965.
113. Coffman, J., "A Measurement of the Effect of Atmospheric Turbulence on the Coherent Properties of a Sound Wave," January 1965.
114. Rachele, H., and D. Veith, "Surface Wind Sampling for Unguided Rocket Impact Prediction," January 1965.
115. Ballard, H., and M. Izquierdo, "Reduction of Microphone Wind Noise by the Generation of a Proper Turbulent Flow," February 1965.
116. Mireles, R., "An Algorithm for Computing Half Widths of Overlapping Lines on Experimental Spectra," February 1965.
117. Richart, H., "Inaccuracies of the Single-Theodolite Wind Measuring System in Ballistic Application," February 1965.
118. D'Arcy, M., "Theoretical and Practical Study of Aerobee-150 Ballistics," March 1965.
119. McCoy, J., "Improved Method for the Reduction of Rocketsonde Temperature Data," March 1965.
120. Mireles, R., "Uniqueness Theorem in Inverse Electromagnetic Cylindrical Scattering," April 1965.
121. Coffman, J., "The Focusing of Sound Propagating Vertically in a Horizontally Stratified Medium," April 1965.
122. Farone, W. A., and C. Querfeld, "Electromagnetic Scattering from an Infinite Circular Cylinder at Oblique Incidence," April 1965.
123. Rachele, H., "Sound Propagation through a Windy Atmosphere," April 1965.
124. Miers, B., "Upper Stratospheric Circulation over Ascension Island," April 1965.
125. Rider, L., and M. Armendariz, "A Comparison of Pibal and Tower Wind Measurements," April 1965.
126. Hoidale, G. B., "Meteorological Conditions Allowing a Rare Observation of 24 Micron Solar Radiation Near Sea Level," *Meteorol. Magazine*, May 1965.
127. Beyers, N. J., and B. T. Miers, "Diurnal Temperature Change in the Atmosphere Between 30 and 60 km over White Sands Missile Range," *J. Atmos. Sci.*, May 1965.
128. Querfeld, C., and W. A. Farone, "Tables of the Mie Forward Lobe," May 1965.
129. Farone, W. A., "Generalization of Rayleigh-Gans Scattering from Radially Inhomogeneous Spheres," *J. Opt. Soc. Amer.*, June 1965.
130. Diamond, M., "Note on Mesospheric Winds Above White Sands Missile Range," *J. Applied Meteorol.*, June 1965.
131. Clark, G. Q., and J. G. McCoy, "Measurement of Stratospheric Temperature," *J. Applied Meteorol.*, June 1965.
132. Hall, T., G. Hoidale, R. Mireles, and C. Querfeld, "Spectral Transmissivity of the Earth's Atmosphere in the 250 to 500 Wave Number Interval," #3, July 1965.
133. McCoy, J., and C. Tate, "The Delta-T Meteorological Rocket Payload," June 1964.
134. Horn, J. D., "Obstacle Influence in a Wind Tunnel," July 1965.
135. McCoy, J., "An AC Probe for the Measurement of Electron Density and Collision Frequency in the Lower Ionosphere," July 1965.
136. Miers, B. T., M. D. Kays, O. W. Thiele and E. M. Newby, "Investigation of Short Term Variations of Several Atmospheric Parameters Above 30 KM," July 1965.

137. Serna, J., "An Acoustic Ray Tracing Method for Digital Computation," September 1965.
138. Webb, W. L., "Morphology of Noctilucent Clouds," *J. Geophys. Res.*, 70, 18, 4463-4475, September 1965.
139. Kays, M., and R. A. Craig, "On the Order of Magnitude of Large-Scale Vertical Motions in the Upper Stratosphere," *J. Geophys. Res.*, 70, 18, 4453-4462, September 1965.
140. Rider, L., "Low-Level Jet at White Sands Missile Range," September 1965.
141. Lamberth, R. L., R. Reynolds, and Morton Wurtele, "The Mountain Lee Wave at White Sands Missile Range," *Bull. Amer. Meteorol. Soc.*, 46, 10, October 1965.
142. Reynolds, R. and R. L. Lamberth, "Ambient Temperature Measurements from Radiosondes Flown on Constant-Level Balloons," October 1965.
143. McCluney, E., "Theoretical Trajectory Performance of the Five-Inch Gun Probe System," October 1965.
144. Pena, R. and M. Diamond, "Atmospheric Sound Propagation near the Earth's Surface," October 1965.
145. Mason, J. B., "A Study of the Feasibility of Using Radar Chaff For Stratospheric Temperature Measurements," November 1965.
146. Diamond, M., and R. P. Lee, "Long-Range Atmospheric Sound Propagation," *J. Geophys. Res.*, 70, 22, November 1965.
147. Lamberth, R. L., "On the Measurement of Dust Devil Parameters," November 1965.
148. Hansen, F. V., and P. S. Hansen, "Formation of an Internal Boundary over Heterogeneous Terrain," November 1965.
149. Webb, W. L., "Mechanics of Stratospheric Seasonal Reversals," November 1965.
150. U. S. Army Electronics R & D Activity, "U. S. Army Participation in the Meteorological Rocket Network," January 1966.
151. Rider, L. J., and M. Armendariz, "Low-Level Jet Winds at Green River, Utah," February 1966.
152. Webb, W. L., "Diurnal Variations in the Stratospheric Circulation," February 1966.
153. Beyers, N. J., B. T. Miers, and R. J. Reed, "Diurnal Tidal Motions near the Stratosphere During 48 Hours at WSMR," February 1966.
154. Webb, W. L., "The Stratospheric Tidal Jet," February 1966.
155. Hall, J. T., "Focal Properties of a Plane Grating in a Convergent Beam," February 1966.
156. Duncan, L. D., and Henry Rachele, "Real-Time Meteorological System for Firing of Unguided Rockets," February 1966.
157. Kays, M. D., "A Note on the Comparison of Rocket and Estimated Geostrophic Winds at the 10-mb Level," *J. Appl. Meteor.*, February 1966.
158. Rider, L., and M. Armendariz, "A Comparison of Pibal and Tower Wind Measurements," *J. Appl. Meteor.*, 5, February 1966.
159. Duncan, L. D., "Coordinate Transformations in Trajectory Simulations," February 1966.
160. Williamson, L. E., "Gun-Launched Vertical Probes at White Sands Missile Range," February 1966.
161. Randhawa, J. S., "Ozone Measurements with Rocket-Borne Ozonesondes," March 1966.
162. Armendariz, Manuel, and Laurence J. Rider, "Wind Shear for Small Thickness Layers," March 1966.
163. Low, R. D. H., "Continuous Determination of the Average Sound Velocity over an Arbitrary Path," March 1966.
164. Hansen, Frank V., "Richardson Number Tables for the Surface Boundary Layer," March 1966.
165. Cochran, V. C., E. M. D'Arcy, and Florencio Ramirez, "Digital Computer Program for Five-Degree-of-Freedom Trajectory," March 1966.
166. Thiele, O. W., and N. J. Beyers, "Comparison of Rocketsonde and Radiosonde Temperatures and a Verification of Computed Rocketsonde Pressure and Density," April 1966.
167. Thiele, O. W., "Observed Diurnal Oscillations of Pressure and Density in the Upper Stratosphere and Lower Mesosphere," April 1966.
168. Kays, M. D., and R. A. Craig, "On the Order of Magnitude of Large-Scale Vertical Motions in the Upper Stratosphere," *J. Geophys. Res.*, April 1966.
169. Hansen, F. V., "The Richardson Number in the Planetary Boundary Layer," May 1966.

170. Ballard, H. N., "The Measurement of Temperature in the Stratosphere and Mesosphere," June 1966.
171. Hansen, Frank V., "The Ratio of the Exchange Coefficients for Heat and Momentum in a Homogeneous, Thermally Stratified Atmosphere," June 1966.
172. Hansen, Frank V., "Comparison of Nine Profile Models for the Diabatic Boundary Layer," June 1966.
173. Rachele, Henry, "A Sound-Ranging Technique for Locating Supersonic Missiles," May 1966.
174. Farone, W. A., and C. W. Querfeld, "Electromagnetic Scattering from Inhomogeneous Infinite Cylinders at Oblique Incidence," *J. Opt. Soc. Amer.* 56, 4, 476-480, April 1966.
175. Mireles, Ramon, "Determination of Parameters in Absorption Spectra by Numerical Minimization Techniques," *J. Opt. Soc. Amer.* 56, 5, 644-647, May 1966.
176. Reynolds, R., and R. L. Lamberth, "Ambient Temperature Measurements from Radiosondes Flown on Constant-Level Balloons," *J. Appl. Meteorol.*, 5, 3, 304-307, June 1966.
177. Hall, James T., "Focal Properties of a Plane Grating in a Convergent Beam," *Appl. Opt.*, 5, 1051, June 1966.
178. Rider, Laurence J., "Low-Level Jet at White Sands Missile Range," *J. Appl. Meteorol.*, 5, 3, 283-287, June 1966.
179. McCluney, Eugene, "Projectile Dispersion as Caused by Barrel Displacement in the 5-Inch Gun Probe System," July 1966.
180. Armendariz, Manuel, and Laurence J. Rider, "Wind Shear Calculations for Small Shear Layers," June 1966.
181. Lamberth, Roy L., and Manuel Armendariz, "Upper Wind Correlations in the Central Rocky Mountains," June 1966.
182. Hansen, Frank V., and Virgil D. Lang, "The Wind Regime in the First 62 Meters of the Atmosphere," June 1966.
183. Randhawa, Jagir S., "Rocket-Borne Ozonesonde," July 1966.
184. Rachele, Henry, and L. D. Duncan, "The Desirability of Using a Fast Sampling Rate for Computing Wind Velocity from Pilot-Balloon Data," July 1966.
185. Hinds, B. D., and R. G. Pappas, "A Comparison of Three Methods for the Correction of Radar Elevation Angle Refraction Errors," August 1966.
186. Riedmuller, G. F., and T. L. Byher, "A Mineral Transition in Atmospheric Dust Transport," August 1966.
187. Hall, J. T., C. W. Querfeld, and G. B. Hoidale, "Spectral Transmissivity of the Earth's Atmosphere in the 250 to 500 Wave Number Interval," Part IV (Final), July 1966.
188. Duncan, L. D. and B. F. Engebos, "Techniques for Computing Launcher Settings for Unguided Rockets," September 1966.
189. Duncan, L. D., "Basic Considerations in the Development of an Unguided Rocket Trajectory Simulation Model," September 1966.
190. Miller, Walter B., "Consideration of Some Problems in Curve Fitting," September 1966.
191. Cermak, J. E., and J. D. Horn, "The Tower Shadow Effect," August 1966.
192. Webb, W. L., "Stratospheric Circulation Response to a Solar Eclipse," October 1966.
193. Kennedy, Bruce, "Muzzle Velocity Measurement," October 1966.
194. Traylor, Larry E., "A Refinement Technique for Unguided Rocket Drag Coefficients," October 1966.
195. Nusbaum, Henry, "A Reagent for the Simultaneous Microscope Determination of Quartz and Halides," October 1966.
196. Kays, Marvin and R. O. Olsen, "Improved Rocketsonde Parachute-derived Wind Profiles," October 1966.
197. Engebos, Bernard F. and L. Duncan, Louis D., "A Nomogram for Field Determination of Launcher Angles for Unguided Rockets," October 1966.
198. Webb, W. L., "Midlatitude Clouds in the Upper Atmosphere," November 1966.
199. Hansen, Frank V., "The Lateral Intensity of Turbulence as a Function of Stability," November 1966.
200. Rider, L. J. and M. Armendariz, "Differences of Tower and Pibal Wind Profiles," November 1966.
201. Lee, Robert P., "A Comparison of Eight Mathematical Models for Atmospheric Acoustical Ray Tracing," November 1966.
202. Low, R. D. H., et al., "Acoustical and Meteorological Data Report SOTRAN I and II," November 1966.



203. Hunt, J. A. and J. D. Horn, "Drag Plate Balance," December 1966.
204. Armendariz, M., and H. Rachele, "Determination of a Representative Wind Profile from Balloon Data," December 1966.
205. Hansen, Frank V., "The Aerodynamic Roughness of the Complex Terrain of White Sands Missile Range," January 1967.
206. Morris, James E., "Wind Measurements in the Subpolar Mesopause Region," January 1967.
207. Hall, James T., "Attenuation of Millimeter Wavelength Radiation by Gaseous Water," January 1967.
208. Thiele, O. W., and N. J. Beyers, "Upper Atmosphere Pressure Measurements With Thermal Conductivity Gauges," January 1967.
209. Armendariz, M., and H. Rachele, "Determination of a Representative Wind Profile from Balloon Data," January 1967.
210. Hansen, F. V., "The Aerodynamic Roughness of the Complex Terrain of White Sands Missile Range, New Mexico," January 1967.
211. D'Arcy, Edward M., "Some Applications of Wind to Unguided Rocket Impact Prediction," March 1967.
212. Kennedy, Bruce, "Operation Manual for Stratosphere Temperature Sonde," March 1967.
213. Hoidale, G. B., S. M. Smith, A. J. Blanco, and T. L. Barber, "A Study of Atmospheric Dust," March 1967.
214. Longyear, J. Q., "An Algorithm for Obtaining Solutions to Laplace's Tidal Equations," March 1967.
215. Rider, L. J., "A Comparison of Pibal with Raob and Rawin Wind Measurements," April 1967.
216. Breeland, A. H., and R. S. Bonner, "Results of Tests Involving Hemispherical Wind Screens in the Reduction of Wind Noise," April 1967.
217. Webb, Willis L., and Max C. Bolen, "The D-region Fair-Weather Electric Field," April 1967.
218. Kubinski, Stanley F., "A Comparative Evaluation of the Automatic Tracking Pilot-Balloon Wind Measuring System," April 1967.
219. Miller, Walter B., and Henry Rachele, "On Nonparametric Testing of the Nature of Certain Time Series," April 1967.
220. Hansen, Frank V., "Spatial and Temporal Distribution of the Gradient Richardson Number in the Surface and Planetary Layers," May 1967.
221. Randhawa, Jagir S., "Diurnal Variation of Ozone at High Altitudes," May 1967.
222. Ballard, Harold N., "A Review of Seven Papers Concerning the Measurement of Temperature in the Stratosphere and Mesosphere," May 1967.
223. Williams, Ben H., "Synoptic Analyses of the Upper Stratospheric Circulation During the Late Winter Storm Period of 1966," May 1967.
224. Horn, J. D., and J. A. Hunt, "System Design for the Atmospheric Sciences Office Wind Research Facility," May 1967.
225. Miller, Walter B., and Henry Rachele, "Dynamic Evaluation of Radar and Photo Tracking Systems," May 1967.
226. Bonner, Robert S., and Ralph H. Rohwer, "Acoustical and Meteorological Data Report - SOTRAN III and IV," May 1967.
227. Rider, L. J., "On Time Variability of Wind at White Sands Missile Range, New Mexico," June 1967.
228. Randhawa, Jagir S., "Mesospheric Ozone Measurements During a Solar Eclipse," June 1967.
229. Beyers, N. J., and B. T. Miers, "A Tidal Experiment in the Equatorial Stratosphere over Ascension Island (8S)," June 1967.
230. Miller, W. B., and H. Rachele, "On the Behavior of Derivative Processes," June 1967.
231. Walters, Randall K., "Numerical Integration Methods for Ballistic Rocket Trajectory Simulation Programs," June 1967.
232. Hansen, Frank V., "A Diabatic Surface Boundary Layer Model," July 1967.
233. Butler, Ralph L., and James K. Hail, "Comparison of Two Wind Measuring Systems with the Contraves Photo-Theodolite," July 1967.
234. Webb, Willis L., "The Source of Atmospheric Electrification," June 1967.

235. Hinds, B. D., "Radar Tracking Anomalies over an Arid Interior Basin," August 1967.
236. Christian, Larry O., "Radar Cross Sections for Totally Reflecting Spheres," August 1967.
237. D'Arcy, Edward M., "Theoretical Dispersion Analysis of the Aerobee 350," August 1967.
238. Anon., "Technical Data Package for Rocket-Borne Temperature Sensor," August 1967.
239. Glass, Roy I., Roy L. Lamberth, and Ralph D. Reynolds, "A High Resolution Continuous Pressure Sensor Modification for Radiosondes," August 1967.
240. Low, Richard D. H., "Acoustic Measurement of Supersaturation in a Warm Cloud," August 1967.
241. Rubio, Roberto, and Harold N. Ballard, "Time Response and Aerodynamic Heating of Atmospheric Temperature Sensing Elements," August 1967.
242. Seagraves, Mary Ann F., "Theoretical Performance Characteristics and Wind Effects for the Aerobee 150," August 1967.
243. Duncan, Louis Dean, "Channel Capacity and Coding," August 1967.
244. Dunaway, G. L., and Mary Ann B. Seagraves, "Launcher Settings Versus Jack Settings for Aerobee 150 Launchers - Launch Complex 35, White Sands Missile Range, New Mexico," August 1967.
245. Duncan, Louis D., and Bernard F. Engebos, "A Six-Degree-of-Freedom Digital Computer Program for Trajectory Simulation," October 1967.
246. Rider, Laurence J., and Manuel Armendariz, "A Comparison of Simultaneous Wind Profiles Derived from Smooth and Roughened Spheres," September 1967.
247. Reynolds, Ralph D., Roy L. Lamberth, and Morton G. Wurtele, "Mountain Wave Theory vs Field Test Measurements," September 1967.
248. Lee, Robert P., "Probabilistic Model for Acoustic Sound Ranging," October 1967.
249. Williamson, L. Edwin, and Bruce Kennedy, "Meteorological Shell for Standard Artillery Pieces - A Feasibility Study," October 1967.
250. Rohwer, Ralph H., "Acoustical, Meteorological and Seismic Data Report - SOTRAN V and VI," October 1967.
251. Nordquist, Walter S., Jr., "A Study in Acoustic Direction Finding," November 1967.
252. Nordquist, Walter S., Jr., "A Study of Acoustic Monitoring of the Gun Probe System," November 1967.
253. Avara, E. P., and B. T. Miers, "A Data Reduction Technique for Meteorological Wind Data above 30 Kilometers," December 1967.
254. Hansen, Frank V., "Predicting Diffusion of Atmospheric Contaminants by Consideration of Turbulent Characteristics of WSMR," January 1968.
255. Randhawa, Jagir S., "Rocket Measurements of Atmospheric Ozone," January 1968.
256. D'Arcy, Edward M., "Meteorological Requirements for the Aerobee-350," January 1968.
257. D'Arcy, Edward M., "A Computer Study of the Wind Frequency Response of Unguided Rockets," February 1968.
258. Williamson, L. Edwin, "Gun Launched Probes - Parachute Expulsion Tests Under Simulated Environment," February 1968.
259. Beyers, Norman J., Bruce T. Miers, and Elton P. Avara, "The Diurnal Tide Near the Stratopause over White Sands Missile Range, New Mexico," February 1968.
260. Traylor, Larry E., "Preliminary Study of the Wind Frequency Response of the Honest John M50 Tactical Rocket," March 1968.
261. Engebos, B. F., and L. D. Duncan, "Real-Time Computations of Pilot Balloon Winds," March 1968.
262. Butler, Ralph and L. D. Duncan, "Empirical Estimates of Errors in Double-Theodolite Wind Measurements," February 1968.
263. Kennedy, Bruce, et al., "Thin Film Temperature Sensor," March 1968.
264. Bruce, Dr. Rufus, James Mason, Dr. Kenneth White and Richard B. Gomez, "An Estimate of the Atmospheric Propagation Characteristics of 1.54 Micron Laser Energy," March 1968.

265. Ballard, Harold N., Jagir S. Randhawa, and Willis L. Webb, "Stratospheric Circulation Response to a Solar Eclipse," March 1968.
266. Johnson, James L., and Orville C. Kuberski, "Timing Controlled Pulse Generator," April 1968.
267. Blanco, Abel J., and Glenn B. Hoidale, "Infrared Absorption Spectra of Atmospheric Dust," May 1968.
268. Jacobs, Willie N., "Automatic Pibal Tracking System," May 1968.
269. Morris, James E., and Marvin D. Kays, "Circulation in the Arctic Mesosphere in Summer," June 1968.
270. Mason, James B., "Detection of Atmospheric Oxygen Using a Tuned Ruby Laser," June 1968.
271. Armendariz, Manuel, and Virgil D. Lang, "Wind Correlation and Variability in Time and Space," July 1968.
272. Webb, Willis L., "Tropospheric Electrical Structure," July 1968.
273. Miers, Bruce T., and Elton P. Avara, "Analysis of High-Frequency Components of AN/FPS-16 Radar Data," August 1968.
274. Dunaway, Gordon L., "A Practical Field Wind Compensation Technique for Unguided Rockets," August 1968.
275. Seagraves, Mary Ann B., and Barry Butler, "Performance Characteristics and Wind Effects for the Aerobee 150 with VAM Booster," September 1968.
276. Low, Richard D. H., "A Generalized Equation for Droplet Growth Due to the Solution Effect," September 1968.
277. Jenkins, Kenneth R., "Meteorological Research, Development, Test, and Evaluation Rocket," September 1968.
278. Williams, Ben H., and Bruce T. Miers, "The Synoptic Events of the Stratospheric Warming of December 1967 - January 1968," September 1968.
279. Tate, C. L., and Bruce W. Kennedy, "Technical Data Package for Atmospheric Temperature Sensor Mini-Loki," September 1968.
280. Rider, Laurence J., Manuel Armendariz, and Frank V. Hansen, "A Study of Wind and Temperature Variability at White Sands Missile Range, New Mexico," September 1968.
281. Duncan, Louis D., and Walter B. Miller, "The Hull of a Channel," September 1968.
282. Hansen, Frank V., and Gary A. Ethridge, "Diffusion Nomograms and Tables for Rocket Propellants and Combustion By-Products," January 1968.
283. Walters, Randall K., and Bernard F. Engebos, "An Improved Method of Error Control for Runge-Kutta Numerical Integration," October 1968.
284. Miller, Walter B., "A Non-Entropy Approach to Some Topics in Channel Theory," November 1968.
285. Armendariz, Manuel, Laurence J. Rider, and Frank V. Hansen, "Turbulent Characteristics in the Surface Boundary Layer," November 1968.
286. Randhawa, Jagir S., "Rocket Measurements of the Diurnal Variation of Atmospheric Ozone," December 1968.
287. Randhawa, Jagir S., "A Guide to Rocketsonde Measurements of Atmospheric Ozone," January 1969.
288. Webb, Willis L., "Solar Control of the Stratospheric Circulation," February 1969.
289. Lee, Robert P., "A Dimensional Analysis of the Errors of Atmospheric Sound Ranging," March 1969.
290. Barber, T. L., "Degradation of Laser Optical Surfaces," March 1969.
291. D'Arcy, E. M., "Diffusion of Resonance Excitation Through a One-Dimensional Gas," March 1969.
292. Randhawa, J. S., "Ozone Measurements from a Stable Platform near the Stratosphere Level," March 1969.

UNCLASSIFIED

Security Classification

DOCUMENT CONTROL DATA - R & D

(Security classification of title, body of abstract and indexing annotation must be entered when the overall report is classified)

1. ORIGINATING ACTIVITY (Corporate author)		2a. REPORT SECURITY CLASSIFICATION	
U. S. Army Electronics Command Fort Monmouth, New Jersey		Unclassified	
		2b. GROUP	
3. REPORT TITLE			
OZONE MEASUREMENTS FROM A STABLE PLATFORM NEAR THE STRATOPAUSE LEVEL			
4. DESCRIPTIVE NOTES (Type of report and inclusive dates)			
5. AUTHOR(S) (First name, middle initial, last name)			
Jagir S. Randhawa			
6. REPORT DATE		7a. TOTAL NO. OF PAGES	7b. NO. OF REFS
March 1969		6	7
8a. CONTRACT OR GRANT NO.		8b. ORIGINATOR'S REPORT NUMBER(S)	
a. PROJECT NO.		ECOM-5242	
c. DA Task IT061102B5JA-18		9b. OTHER REPORT NO(S) (Any other numbers that may be assigned this report)	
d.			
10. DISTRIBUTION STATEMENT			
Distribution of this report is unlimited.			
11. SUPPLEMENTARY NOTES		12. SPONSORING MILITARY ACTIVITY	
		Atmospheric Sciences Laboratory U. S. Army Electronics Command White Sands Missile Range, New Mexico	
13. ABSTRACT			
<p>The rocket-borne ozonesonde developed at the Atmospheric Sciences Laboratory, White Sands Missile Range, New Mexico, was modified and launched on a 28 million cubic foot balloon, along with other sensors, at sunrise on 11 September 1968. The data received as the balloon floated near the stratopause level show a concentration of ozone which is one order of magnitude more than the concentration of ozone which has been measured by spectrometric methods. The marked increase in the ozone concentration observed immediately after sunset at the 40 km level is of great significance to an understanding of the photochemistry of ozone.</p>			

DD FORM 1473

REPLACES DD FORM 1473, 1 JAN 64, WHICH IS OBSOLETE FOR ARMY USE.

UNCLASSIFIED

Security Classification

UNCLASSIFIED  
Security Classification

14. KEY WORDS	LINK A		LINK B		LINK C	
	ROLE	WT	ROLE	WT	ROLE	WT
1. Ozone Concentrations						
2. Constant-Level Balloons						
3. Diurnal Variations						
4. Sunset-Related Increases						

UNCLASSIFIED

Security Classification