

ESTI FILE COPY

ESD-TR-66-454

ESD RECORD COPY

RETURN TO
SCIENTIFIC & TECHNICAL INFORMATION DIVISION
(ESTI), BUILDING 1211

ESD ACCESSION LIST

ESTI Call No. **AL** 53437

Copy No. 1 of 1 cys.

Technical Note

1966-40

General-Purpose I/O Channel
and Interface
for Haystack 490 Computer

J. E. Gillis
A. F. Dockrey
S. B. Russell

10 October 1966

Prepared under Electronic Systems Division Contract AF 19(628)-5167 by

Lincoln Laboratory

MASSACHUSETTS INSTITUTE OF TECHNOLOGY

Lexington, Massachusetts



ADD 64/640

The work reported in this document was performed at Lincoln Laboratory, a center for research operated by Massachusetts Institute of Technology, with the support of the U.S. Air Force under Contract AF 19(628)-5167.

This report may be reproduced to satisfy needs of U.S. Government agencies.

Distribution of this document is unlimited.

MASSACHUSETTS INSTITUTE OF TECHNOLOGY
LINCOLN LABORATORY

GENERAL-PURPOSE I/O CHANNEL AND INTERFACE
FOR HAYSTACK 490 COMPUTER

J. E. GILLIS
A. F. DOCKREY
S. B. RUSSELL

Group 62

TECHNICAL NOTE 1966-40

10 OCTOBER 1966

ABSTRACT

A general-purpose interface has been constructed for Channel 5 of the Haystack Univac 490 digital computer. Data inputs are from the radiometer and a general-purpose A/D converter while outputs are a display of right ascension, declination, and hour angle, a CRT display and strip chart recorder, and control of the radiometer and other general-purpose functions.

Accepted for the Air Force
Franklin C. Hudson
Chief, Lincoln Laboratory Office

GENERAL-PURPOSE I/O CHANNEL AND INTERFACE
FOR HAYSTACK 490 COMPUTER

I. GENERAL

Group 62 has constructed a general-purpose interface for channel 5 on the Univac 490. The inputs to the interface are:

- (a) Radiometry Data
- (b) General-Purpose A/D Converter

These inputs are selected by manual connection of the correct cable. (If desirable at some later date, this selection can be mechanized and/or other inputs can be added.) Communication with the 490 is via the standard REQUEST/ACKNOWLEDGE signals, and buffered input block transfers are thus permitted; all 30 data bits are used.

The output portion of the channel is demultiplexed to permit 6 (expandable to 16) functions:

- (a) General-Purpose Control
- (b) Right Ascension (for display)
- (c) Declination (for display)
- (d) Radiometry Control
- (e) Interim CRT Display/Strip Chart Recorder
- (f) Hour Angle (for display)

Communication from the 490 is via the EXTERNAL FUNCTION command, and output is therefore limited to single-word transfers. The output word contains 26 data bits and 4 function selection bits.

II. INPUT

A. Radiometry Data

Radiometry data is sent from the radiometry equipment (DIGITAL DATA COUPLER)* to the general-purpose interface and then to the 490. The

*S. Weinreb, "Digital Data Handling System for Haystack Radiometers," M. I. T. Lincoln Laboratory Memorandum (27 May 1963). (Not generally available.)

cable connector at the interface is a Winchester 104-pin connector; pin assignments are shown in Fig. 1. Logic levels on the cable between the radiometry equipment and the interface for both data and control signals are:

0 volts = logical '1'
-6 volts = logical '0'

Logic levels on the cable between the interface and the 490 for both data and control signals are:

0 volts = logical '1'
-3 volts = logical '0'

Timing is shown in Fig. 2. When the radiometry equipment has data ready for transmission to the 490, it first sets the data lines and then sets the INPUT DATA REQUEST line. Some time later (possibly as soon as 8 μ s later, but can be much longer, depending on the I/O machinations), the 490 sets the INPUT ACKNOWLEDGE line indicating that the data has been accepted. At this time, the radiometry equipment must reset the INPUT DATA REQUEST line.

The 490 will eventually reset the ACKNOWLEDGE line, but the radiometry equipment may legally generate another REQUEST before this occurs. The only requirement is that the equipment must wait at least 5 μ s after the end (reset) of the previous REQUEST before generating a new one.

B. General-Purpose A/D Converter

An Adage V9AB Voldicon A/D Converter is included as a part of the general-purpose interface. Figure 3 shows the converter and its associated logic. A list of the more important specifications on this machine is shown in Table I. (Refer to Adage Instruction Manual for more complete information.)

The converter quantizes analog inputs (on any of 20 addressable input channels) to a 9-bit number plus sign and also outputs a 5-bit word to identify the input analog channel.

Selection of the analog input can be controlled manually (locally) or automatically by remote equipment. It is also possible to arrange for

TABLE I

ADAGE VOLIDCON V9AB

Partial Specifications

I. INPUT

A. 20 Analog Channels Addressable Manually or Automatically,
4 channels with sample and hold.

B. Signal - ± 10 Volts or ± 0.1 ma

C. Trigger Mode - External, Internal or Line (Internal $\cong 500$ cps).

II. CONVERSION RATE

2500 Conversions/Second Maximum

III. OUTPUT

9 Bits Plus Sign, Also

5-Bit Channel Address

490 control of this selection by a cable connection. In this case, the program outputs selection commands on subchannel 4 with the format shown in Fig. 11.

In normal operation, the converter is triggered by an external trigger. When this occurs, the converter quantizes the input it is monitoring, and at the end of the conversion an INPUT DATA REQUEST is generated. When the 490 accepts the input, it generates an ACKNOWLEDGE signal which clears the REQUEST flip-flop. The external trigger must be inhibited until this flip-flop is cleared.

Timing of the external trigger with respect to channel selection signals must be controlled by external equipment to guarantee that channel selection is completed before the trigger occurs.

As indicated by the dotted lines in Fig. 3, modifications/additions can be made to include digital bookkeeping data inputs and bookkeeping logic in the system if an application requires it.

Analog inputs go to a cable connector on the converter itself; pin assignments are shown in Fig. 4. Channel selection, trigger, and any bookkeeping inputs go to a 104-pin Winchester plug; pin assignments are shown in Fig. 4.

The computer word format is shown in Fig. 5.

III. OUTPUT

Figures 6 and 7 show block diagrams of the output subchannels. Twenty-six data lines from the 490 go to a set of input amplifiers. The amplifier outputs then go to 6 sets of data gates. The remaining 4 data lines and the external function line go to other input amplifiers, the outputs of which go to the subchannel selection logic.

When an external function occurs on channel 5, this logic decodes the 4 selection bits and generates a gate which permits the 26 data lines to be gated to one set of data gates.

Subchannel 1

This is a general-purpose subchannel which is intended to be used to permit the program to exercise some control over the outside world. No

definite use has been established as yet, but it is probable that this subchannel will control several indicators and/or relays on the console.

This subchannel has internal storage, and the subchannel selection pulse triggers a set of one-shots which clears the storage and then gates data through the data gates into storage. The timing is shown in Fig. 8. Logic levels appearing on the 104-pin output connector are:

0 volts = logical '1'
-6 volts = logical '0'

Word format is shown in Fig. 9, and connector pin assignments are shown in Fig. 12.

Subchannels 2 and 3

These subchannels are used to provide displays of Right Ascension and Declination. Both channels have storage which is cleared and set in the same manner as subchannel 1.

The 490 supplies these functions in BCD. The storage consists of 6 BCD digits for RIGHT ASCENSION (hours, hours, minutes, minutes, seconds, seconds) and 6 BCD digits plus sign for DECLINATION (\pm degrees, degrees, minutes, minutes, seconds, seconds). The output of the storage goes to BCD/DECIMAL converters and light drivers. The light driver outputs appear on the output cable connector; pin assignments are shown in Fig. 13, and word format is shown in Fig. 10.

Subchannel 4

This subchannel is to be used to control the radiometry equipment and has no internal storage. Data is presented only during the time that the external function command exists which can be as short as 7.4 μ s (Fig. 8). Simultaneously with the data, a control signal is presented which is to be used to load the data into remote storage. Logic levels for both data and control are:

0 volts = logical '1'
-6 volts = logical '0'

Word format is shown in Fig. 11, and output connector pin assignments are shown in Fig. 12.

Subchannel 5

This subchannel is used to control a Sanborn Model 356-5460N strip chart recorder or two paralleled CRT displays (one Tektronix Type 555 and one Type 503). One display is rack mounted near the strip chart recorder, the other will be part of the console. The cables to both scopes and to the recorder are wired in parallel so that selection of the desired output is made by the program. (It is not desirable to interlace operation of these devices.)

This subchannel has storage which is cleared and set in the same manner as subchannel 1.

Four 6-bit D/A converters provide signals for 4 channels on the strip chart recorder so that it is possible to make an analog record of 4 simultaneous functions. One bit in the computer word is reserved to control the paper drive motor on the recorder.

Two 8-bit D/A converters provide x and y deflection signals for the CRT displays, and one bit in the computer word is reserved to control intensity.

Pin assignments for the output connector are shown in Fig. 14, and the word format is shown in Fig. 9.

Subchannel 6

This subchannel is used to provide an Hour Angle display; the subchannel storage is cleared and set in the same manner as subchannel 1.

The 490 supplies this data as 6 BCD digits (hours, hours, minutes, minutes, seconds, seconds).

The storage output goes to BCD/decimal converters and light drivers. The light driver outputs appear on the output cable connector; pin assignments are shown in Fig. 13, and word format is shown in Fig. 10.

Detailed Diagrams

A list of the detailed logic and circuit diagrams is shown in Table II. Figures 15, 16 and 17 are diagrams of the Univac amplifier cards used in the General Purpose I/O.

TABLE II
DRAWING LIST

Lincoln Laboratory
DRAWING NUMBER

1.	Control Section	23455
2.	Subchannel 1	23456
3.	Subchannel 2	23457
4.	Subchannel 3	23458
5.	Subchannel 4	23459
6.	Subchannel 5	23460
7.	Subchannel 6	23461
8.	Recorder and CRT Drive Circuits	23462

Bit No.	Pin No.*	Bit No.	Pin No.	Bit No.	Pin No.
0	A E	12	c h	24	AD AJ
1	B F	13	d i	25	AE AK
2	C H	14	f j	26	AF AL
3	D J	15	g k	27	AH AM
4	K P	16	m r	28	AN AT
5	L R	17	n s	29	AP AU
6	M S	18	p t		
7	N T	19	q u		
8	U Y	20	v z	Control Signals	
9	V Z	21	w AA	Input Data Request	BU BY
10	W a	22	x AB	Input Acknowledge	BT BX
11	X b	23	y AC	External Interrupt	CJ CN
* First pin of each pair is for signal, second pin may be used for ground.					

Fig. 1. Pin assignments for general purpose interface input connector.

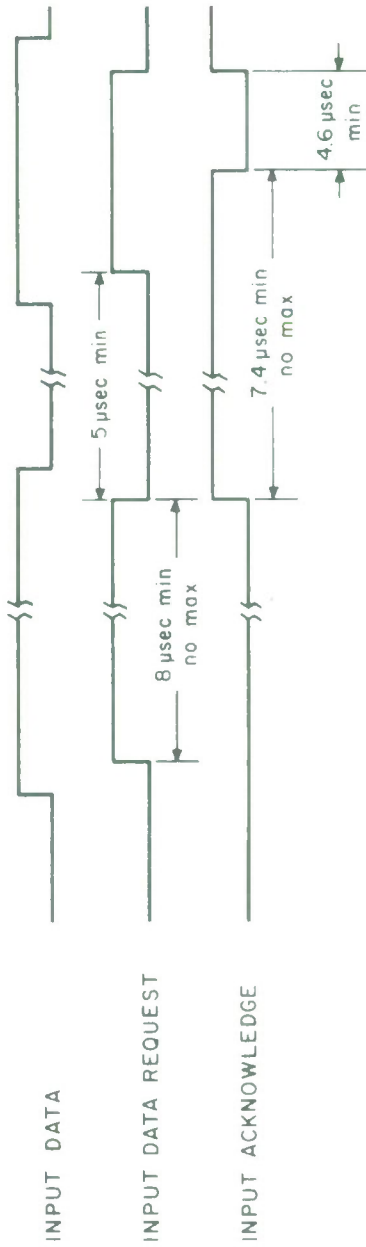


Fig. 2. Input timing.

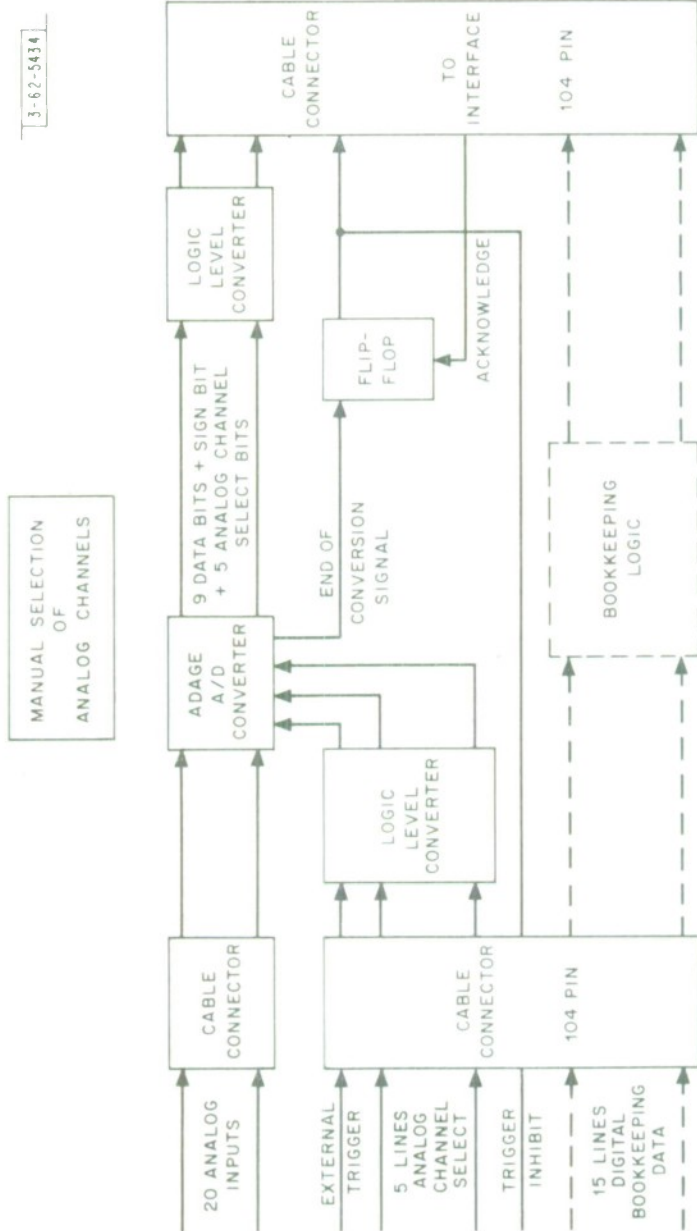


Fig. 3. General purpose A/D converter.

Analog Input Connector		Winchester Connector		
Channel No.	Pin No.	Function	Pin No. ⁽¹⁾	
0	C	Ext. Trig. Inhibit	CL CR	Channel Selection Bits
1	H	Ext. Trig.	CC CH	
2	M	10 ⁽²⁾	BF BL	
3	s	2*	BH BM	
4	w	4	BJ BN	
5	a	2	BK BP	
6	e	1	BR BV	Bookkeeping Bits
7	k	15 ⁽³⁾	g k	
8	r	16	m r	
9	v	17	n s	
10	D	18	p t	
11	J	19	q u	
12	N	20	v z	
13	T	21	w AA	
14	X	22	x AB	
15	b	23	y AC	
16	f	24	AD AJ	
17	m	25	AE AK	
18	S	26	AF AL	
19	W	27	AH AM	
Signal Return	AA	28	AN AT	
Shield	EE	29	AP AU	

(1) First pin of each pair is signal, second pin may be used for ground.
(2) Numbers 10, 2*, 4, 2, 1 form a BCD code for channel selection.
(3) Numbers 15-29 refer to 490 word bit numbers.

Fig. 4. Input connectors for A/D converter.

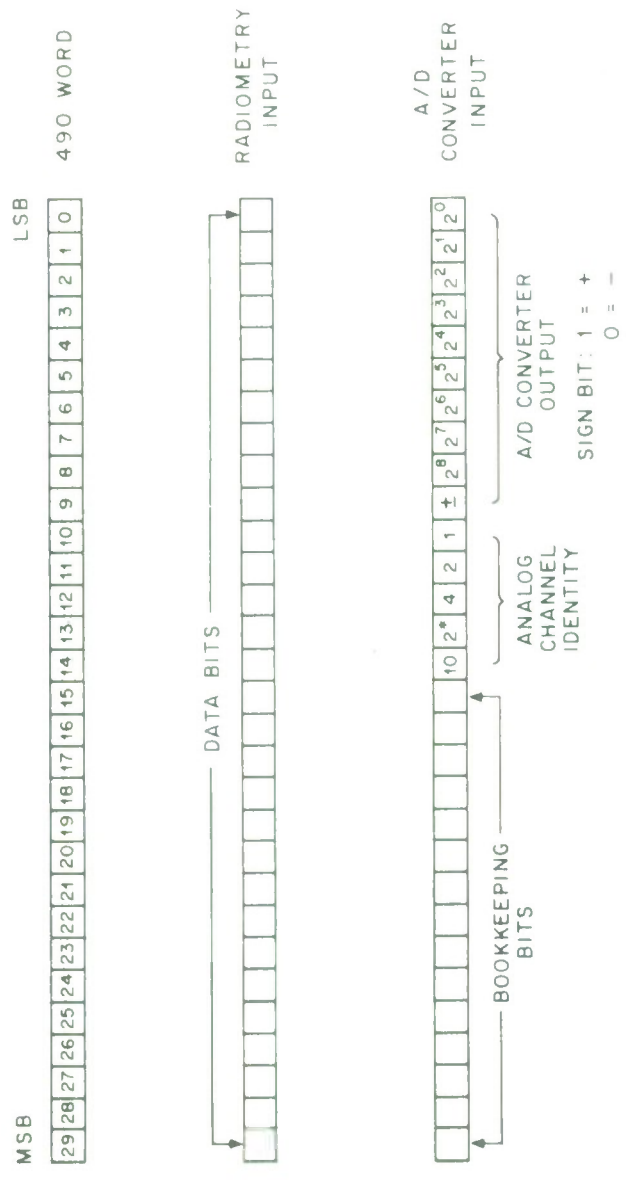


Fig. 5. Input word formats.

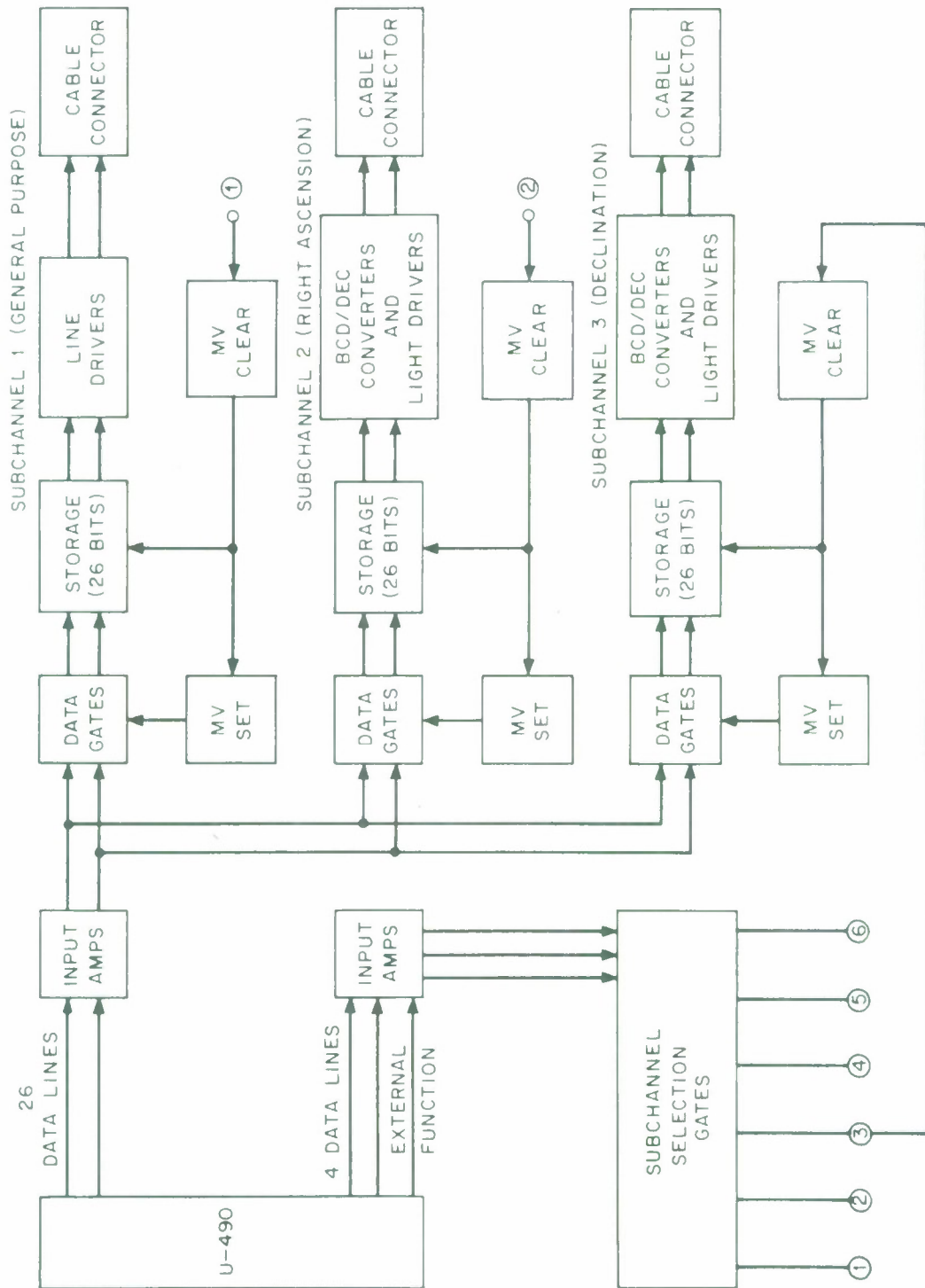


Fig. 6. Selection gates and subchannels 1-3.

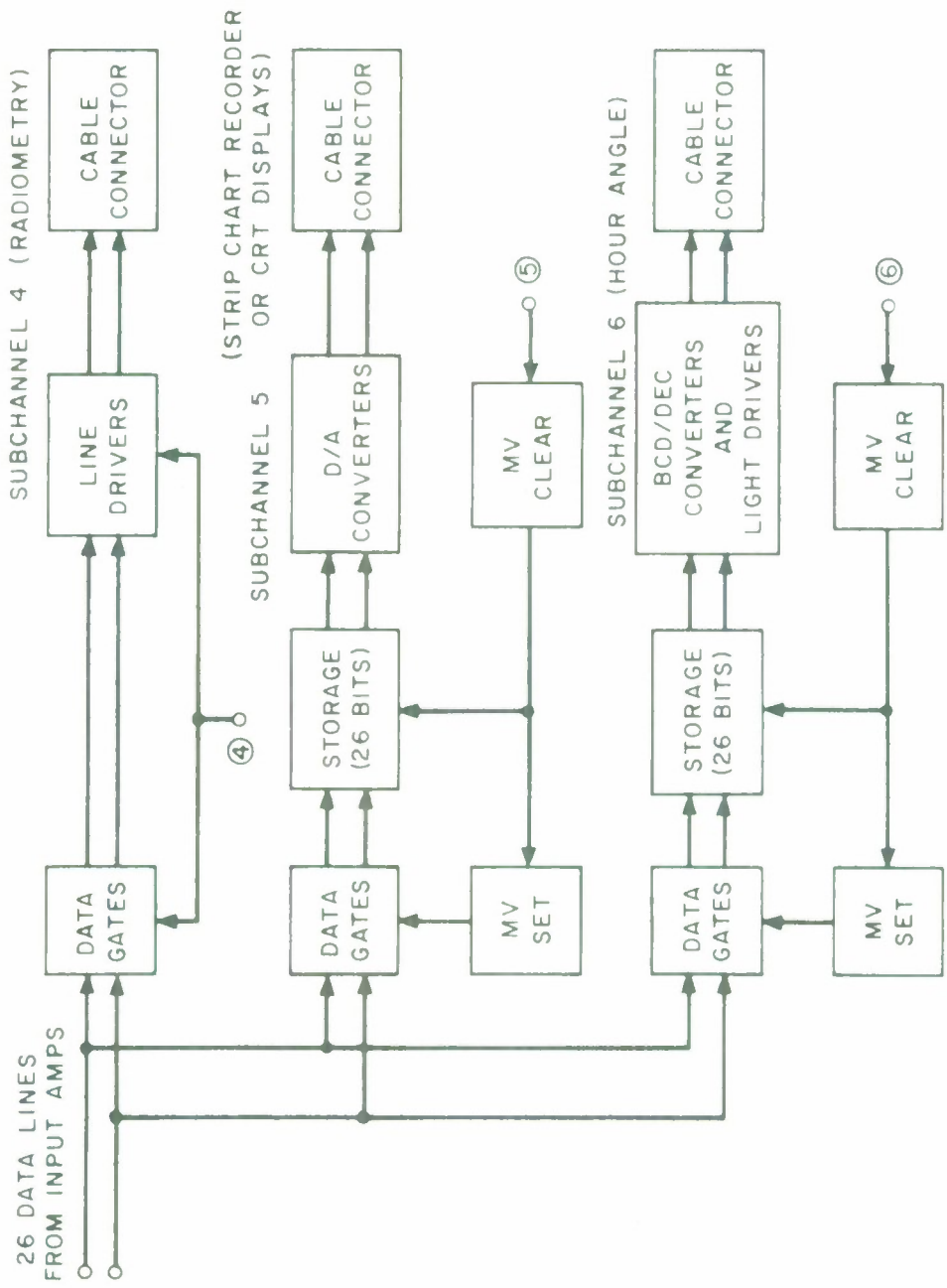


Fig. 7. Subchannels 4-6.

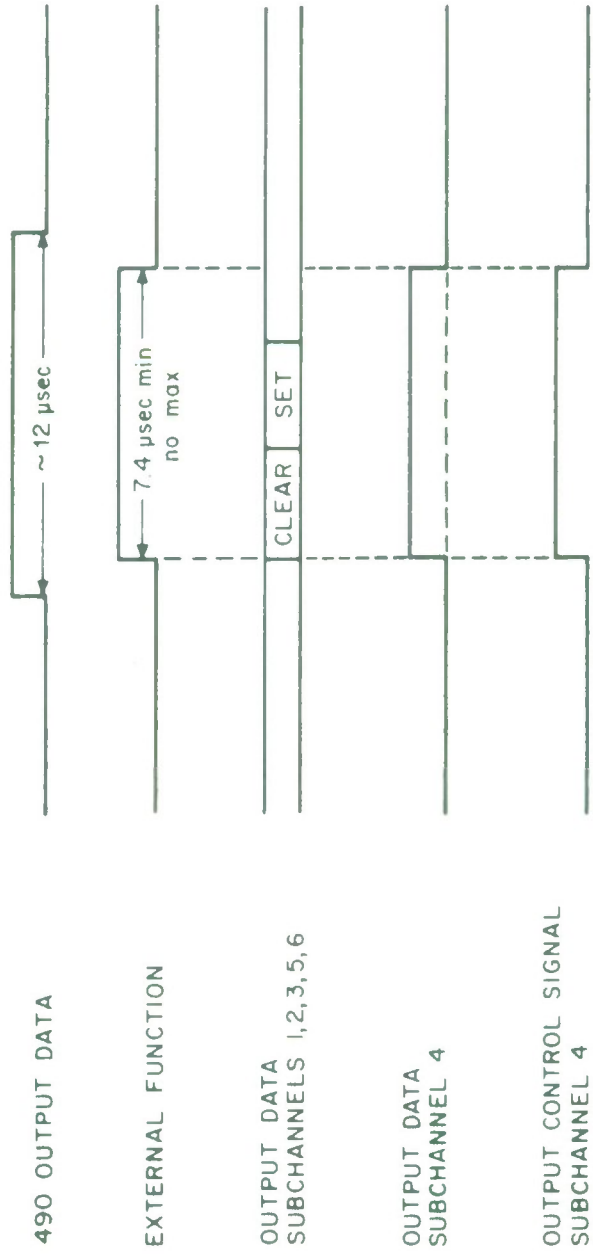


Fig. 8. Output timing.

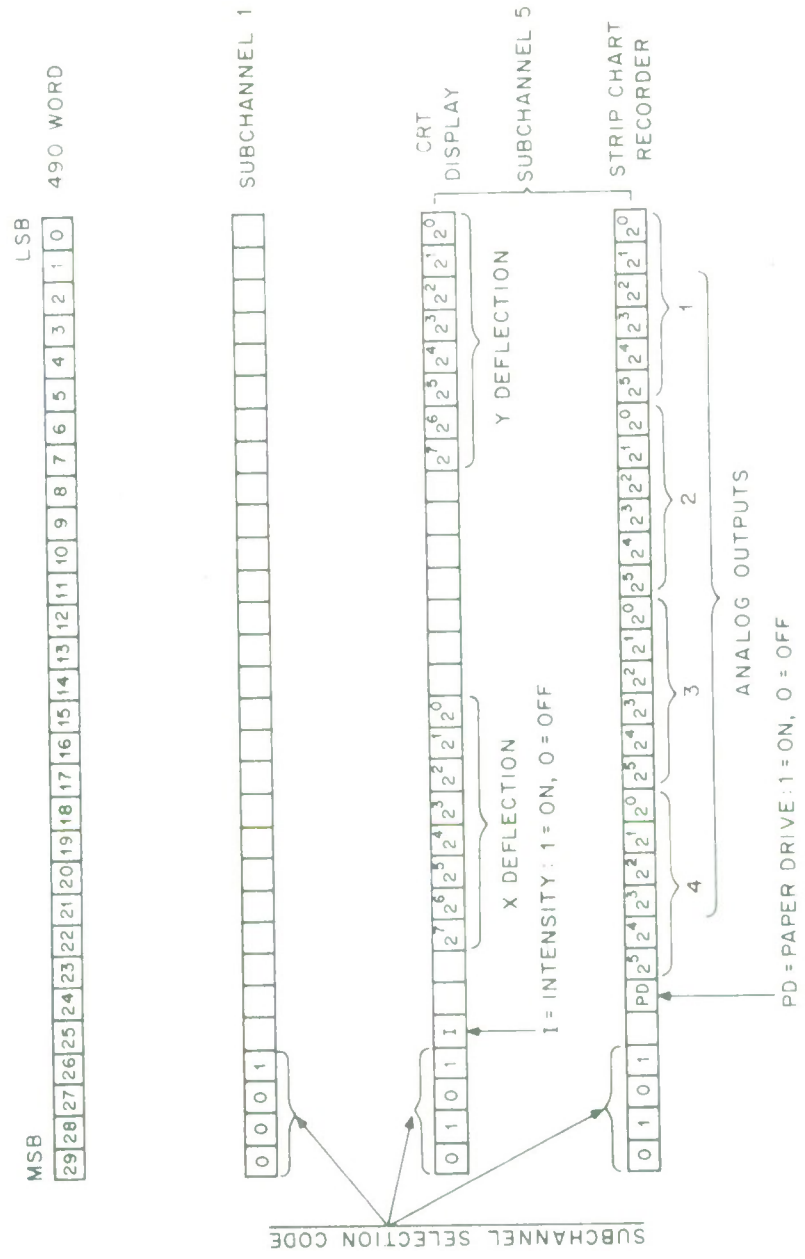


Fig. 9. Subchannels 1 and 5 word formats.

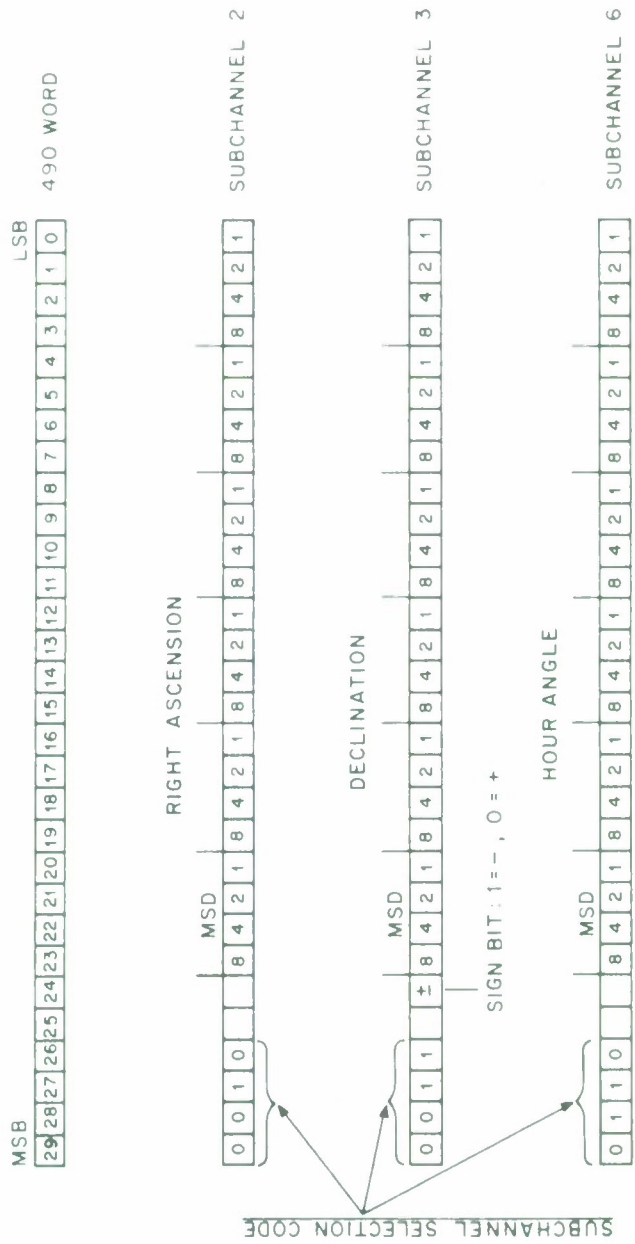


Fig. 10. Subchannels 2, 3, and 6 word formats.

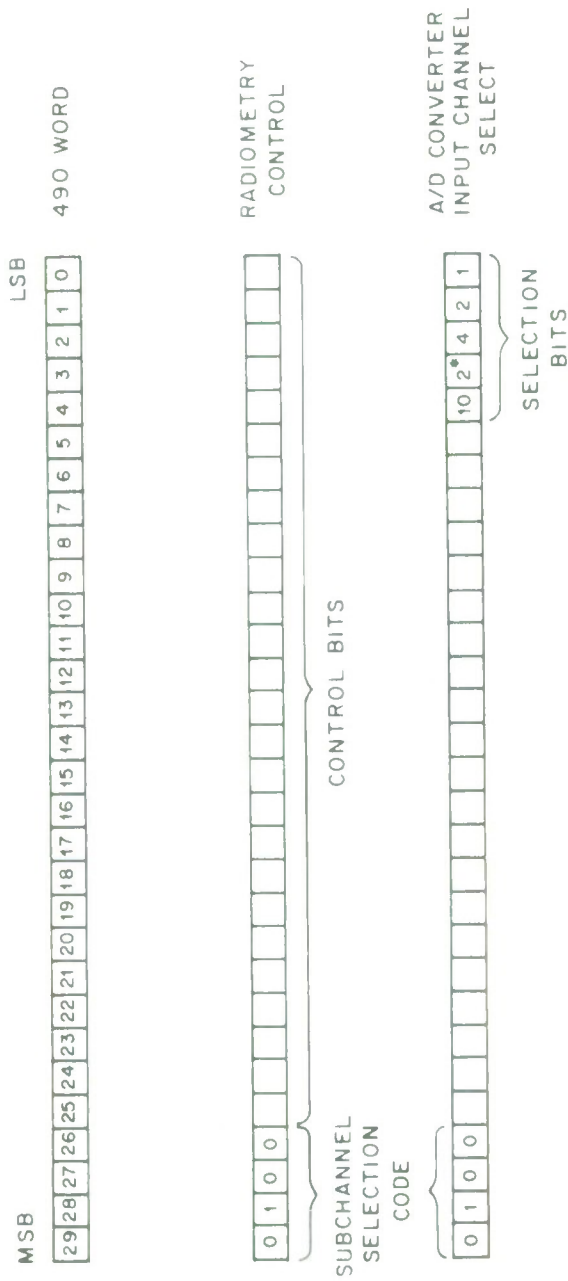


Fig. 11. Subchannel 4 word formats.

Bit No.	Pin No.*	Bit No.	Pin No.
0	A E	15	g k
1	B F	16	m r
2	C H	17	n s
3	D J	18	p t
4	K P	19	q u
5	L R	20	v z
6	M S	21	w AA
7	N T	22	x AB
8	U Y	23	y AC
9	V Z	24	AD AJ
10	W a	25	AE AK
11	X b	26	AF AL
12	c h	27	AH AM
13	d i	28	AN AT
14	f j	29	AP AU
External Function (subchannel 4 only)		CJ CN	
* First pin of each pair is for signal; second pin may be used for ground.			

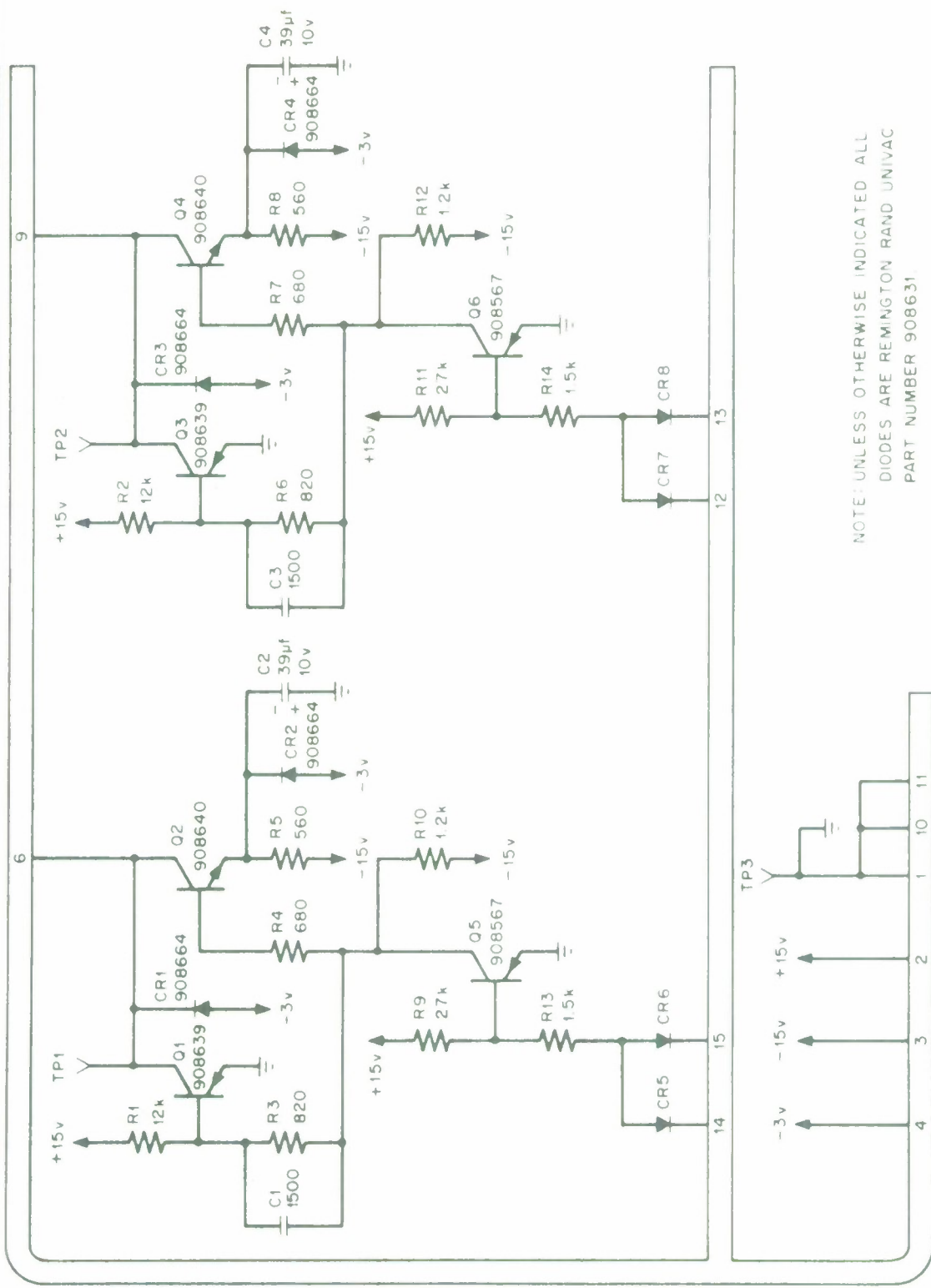
Fig. 12. Pin assignments for subchannels 1 and 4 output connectors.

Function	Pin No.	Function	Pin No.	Function	Pin No.		
First (Most Significant) Digit		Fourth Digit		Sign			
9	AS	9	k	+	AX		
8	AR	8	j	-	AY		
7	AP	7	i	Nixie Driver Voltages			
6	AN	6	h				
5	AM	5	g				
4	AL	4	f				
3	AK	3	d				
2	AJ	2	c				
1	B	1	b				
0	A	0	a				
Second Digit		Fifth Digit				Strobe	BB
9	N	9	w			CLR	BC
8	M	8	v	+80 volts	BD		
7	L	7	u	D1 + 175 volts	BE		
6	K	6	t	D2 + 175 volts	BF		
5	J	5	s	D3 + 175 volts	BH		
4	H	4	r	D4 + 175 volts	BJ		
3	F	3	q	D5 + 175 volts	BK		
2	E	2	p	D6 + 175 volts	BL		
1	D	1	n	GND	BU		
0	C	0	m				
Third Digit		Sixth Digit					
9	Z	9	AH				
8	Y	8	AF				
7	X	7	AE				
6	W	6	AD				
5	V	5	AC				
4	U	4	AB				
3	T	3	AA				
2	S	2	z				
1	R	1	y				
0	P	0	x				

Fig. 13. Pin assignments for subchannels 2, 3, and 6 output connectors.

Function	Pin No.
Strip Chart Recorder Signals	
Channel 1	BF BL
Channel 2	BH BM
Channel 3	BJ BN
Channel 4	BK BP
Paper Drive	BR BV
Rack-Mounted CRT	
Horizontal	BY
Vertical	BS
Intensity	BU
Ground	BT
Console CRT	
Horizontal	CA
Vertical	CB
Intensity	CC
Ground	CH

Fig. 14. Pin assignments for subchannel 5 output connector.



NOTE: UNLESS OTHERWISE INDICATED ALL
DIODES ARE REMINGTON RAND UNIVAC
PART NUMBER 908631

Fig. 15. Univac data line driver.

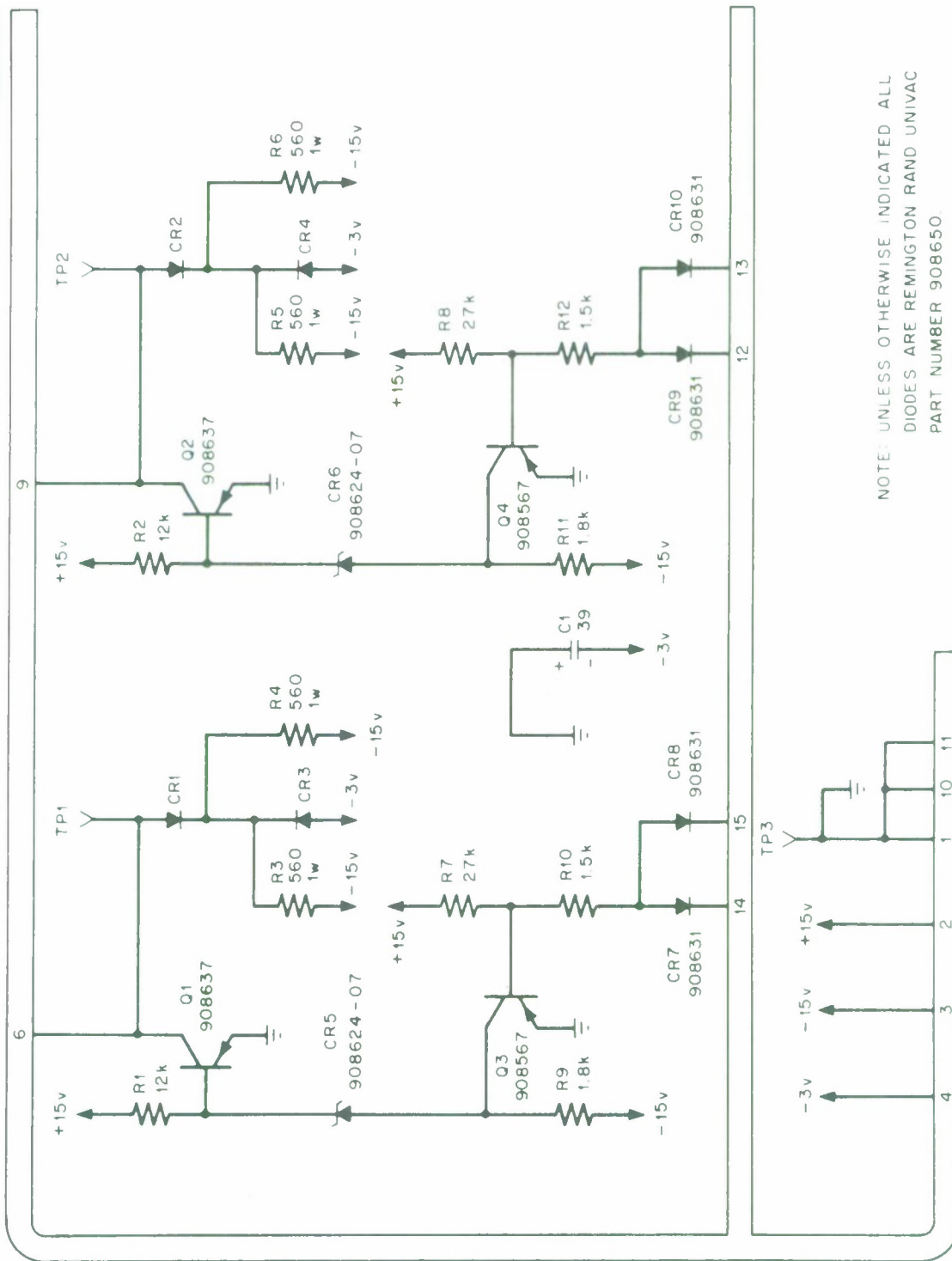


Fig. 16. Univac control line driver.

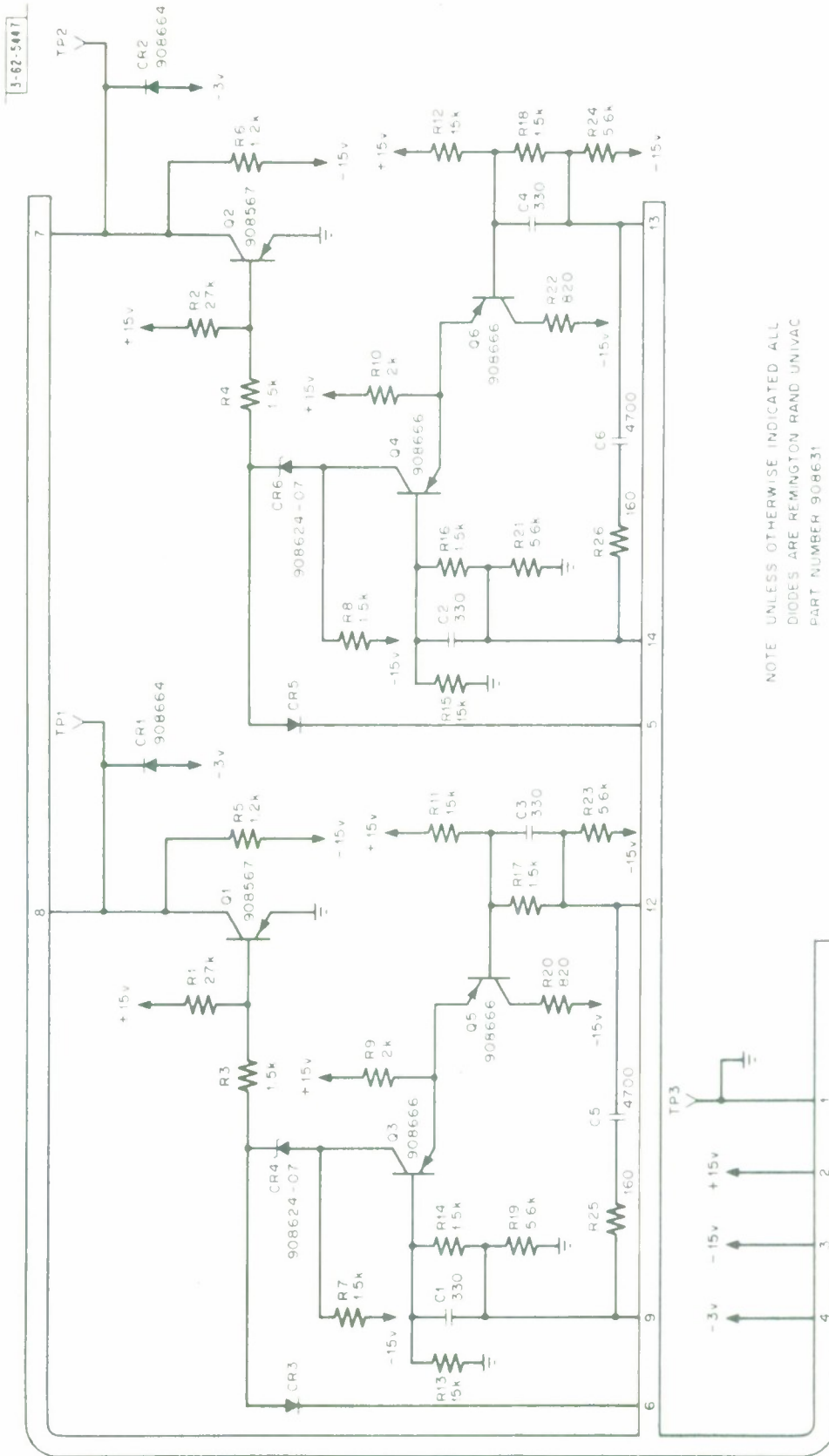


Fig. 17. Univac input amplifier.

DISTRIBUTION LIST

W. E. Morrow, Jr.
H. G. Weiss
S. H. Dodd

Group 31

J. R. Burdette
P. Crowther
R. F. Gagne (2)
M. A. Gordon
R. P. Ingalls
M. L. Meeks
G. H. Pettengill
W. Rutkowski
P. B. Sebring
M. L. Stone

Group 36

J. E. Gillis

Group 62

A. F. Dockrey
F. E. Heart
I. L. Lebow
S. B. Russell
P. Stylos
Files (5)

DOCUMENT CONTROL DATA - R&D

(Security classification of title, body of abstract and indexing annotation must be entered when the overall report is classified)

1. ORIGINATING ACTIVITY (Corporate author)		2a. REPORT SECURITY CLASSIFICATION	
Lincoln Laboratory, M. I. T.		Unclassified	
		2b. GROUP	
		None	
3. REPORT TITLE			
General-Purpose I/O Channel and Interface for Haystack 490 Computer			
4. DESCRIPTIVE NOTES (Type of report and inclusive dates)			
Technical Note			
5. AUTHOR(S) (Last name, first name, initial)			
Gillis, John E., Dockrey, Arthur F. and Russell, Stephen B.			
6. REPORT DATE		7a. TOTAL NO. OF PAGES	7b. NO. OF REFS
10 October 1966		30	1
8a. CONTRACT OR GRANT NO.		9a. ORIGINATOR'S REPORT NUMBER(S)	
AF 19 (628)-5167		Technical Note 1966-40	
b. PROJECT NO.		9b. OTHER REPORT NO(S) (Any other numbers that may be assigned this report)	
649L		ESD-TR-66-454	
c.			
d.			
10. AVAILABILITY/LIMITATION NOTICES			
Distribution of this document is unlimited.			
11. SUPPLEMENTARY NOTES		12. SPONSORING MILITARY ACTIVITY	
None		Air Force Systems Command, USAF	
13. ABSTRACT			
<p>A general-purpose interface has been constructed for Channel 5 of the Haystack Univac 490 digital computer. Data inputs are from the radiometer and a general-purpose A/D converter while outputs are a display of right ascension, declination, and hour angle, a CRT display and strip chart recorder, and control of the radiometer and other general-purpose functions.</p>			
14. KEY WORDS			
Haystack Hill computers		Univac 490 digital computers	