

LIGHT REFLECTIONS FROM SYSTEMS  
OF PLANE MIRRORS

TECHNICAL REPORT NO. ESD-TR-65-132

SEPTEMBER 1965

D. A. Berkowitz

ESD RECORD COPY  
RETURN TO  
SCIENTIFIC & TECHNICAL INFORMATION DIVISION  
(ESTI), BUILDING 1211

Prepared for

DIRECTORATE OF COMPUTERS  
ELECTRONIC SYSTEMS DIVISION  
AIR FORCE SYSTEMS COMMAND  
UNITED STATES AIR FORCE

I. G. Hanscom Field, Bedford, Massachusetts



Project 508G  
Prepared by

THE MITRE CORPORATION  
Bedford, Massachusetts  
Contract AF19(628)-2390

FILE

AD 0621702

Copies available at Clearing House for Federal Scientific and Technical Information (formerly Office of Technical Services).

Qualified requesters may obtain copies from DDC. Orders will be expedited if placed through the librarian or other person designated to request documents from DDC.

When US Government drawings, specifications, or other data are used for any purpose other than a definitely related government procurement operation, the government thereby incurs no responsibility nor any obligation whatsoever; and the fact that the government may have formulated, furnished, or in any way supplied the said drawings, specifications, or other data is not to be regarded by implication or otherwise, as in any manner licensing the holder or any other person or corporation, or conveying any rights or permission to manufacture, use, or sell any patented invention that may in any way be related thereto.

Do not return this copy. Retain or destroy.

ESD-TR-65-132  
ESD-TR-65-132

TM-4187  
TM-4187

LIGHT REFLECTIONS FROM SYSTEMS  
OF PLANE MIRRORS

TECHNICAL REPORT NO. ESD-TR-65-132

SEPTEMBER 1965

D. A. Berkowitz

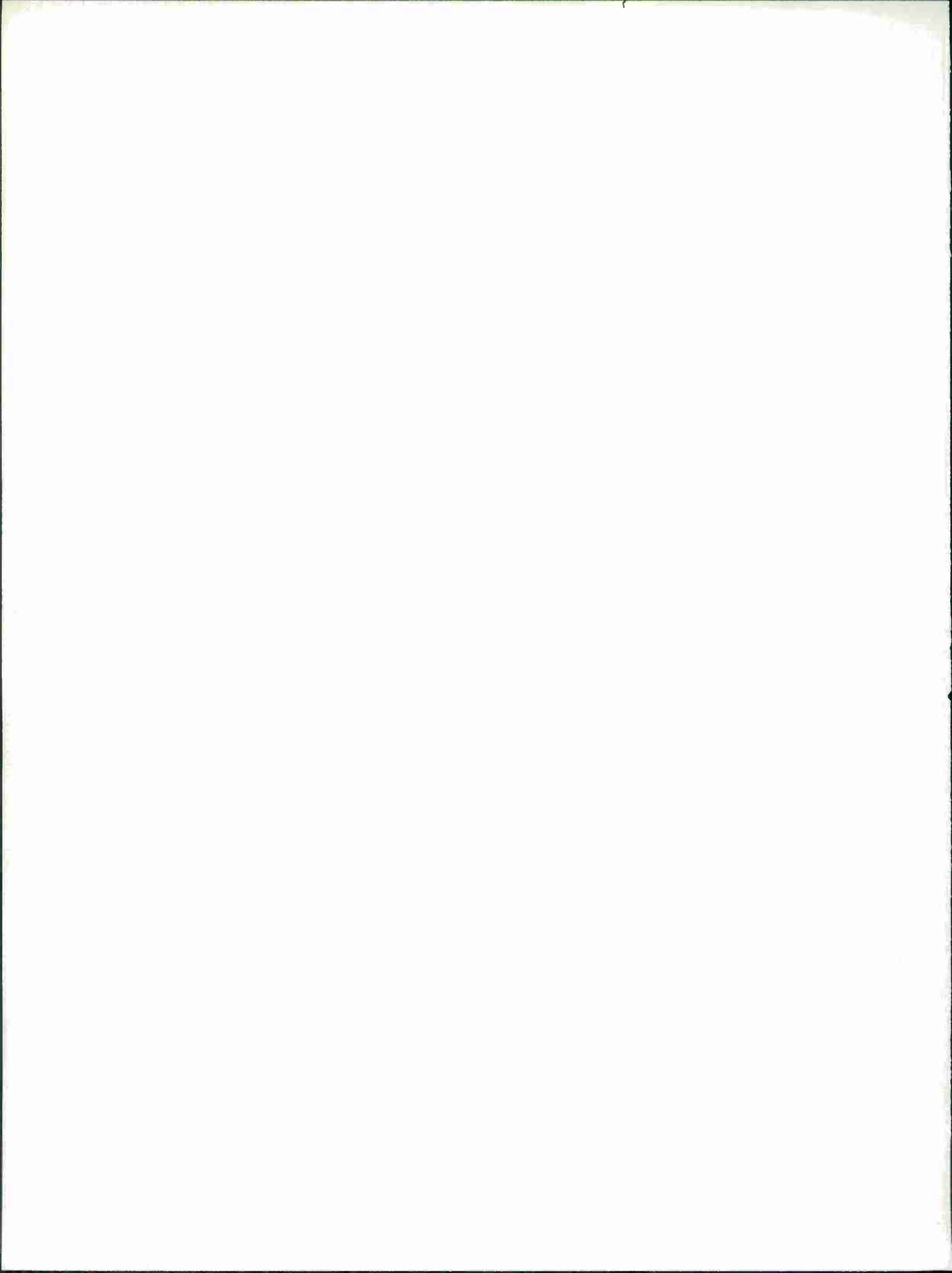
Prepared for

DIRECTORATE OF COMPUTERS  
ELECTRONIC SYSTEMS DIVISION  
AIR FORCE SYSTEMS COMMAND  
UNITED STATES AIR FORCE  
L. G. Hanscom Field, Bedford, Massachusetts



Project 508G  
Prepared by

THE MITRE CORPORATION  
Bedford, Massachusetts  
Contract AF19(628)-2390



## ABSTRACT

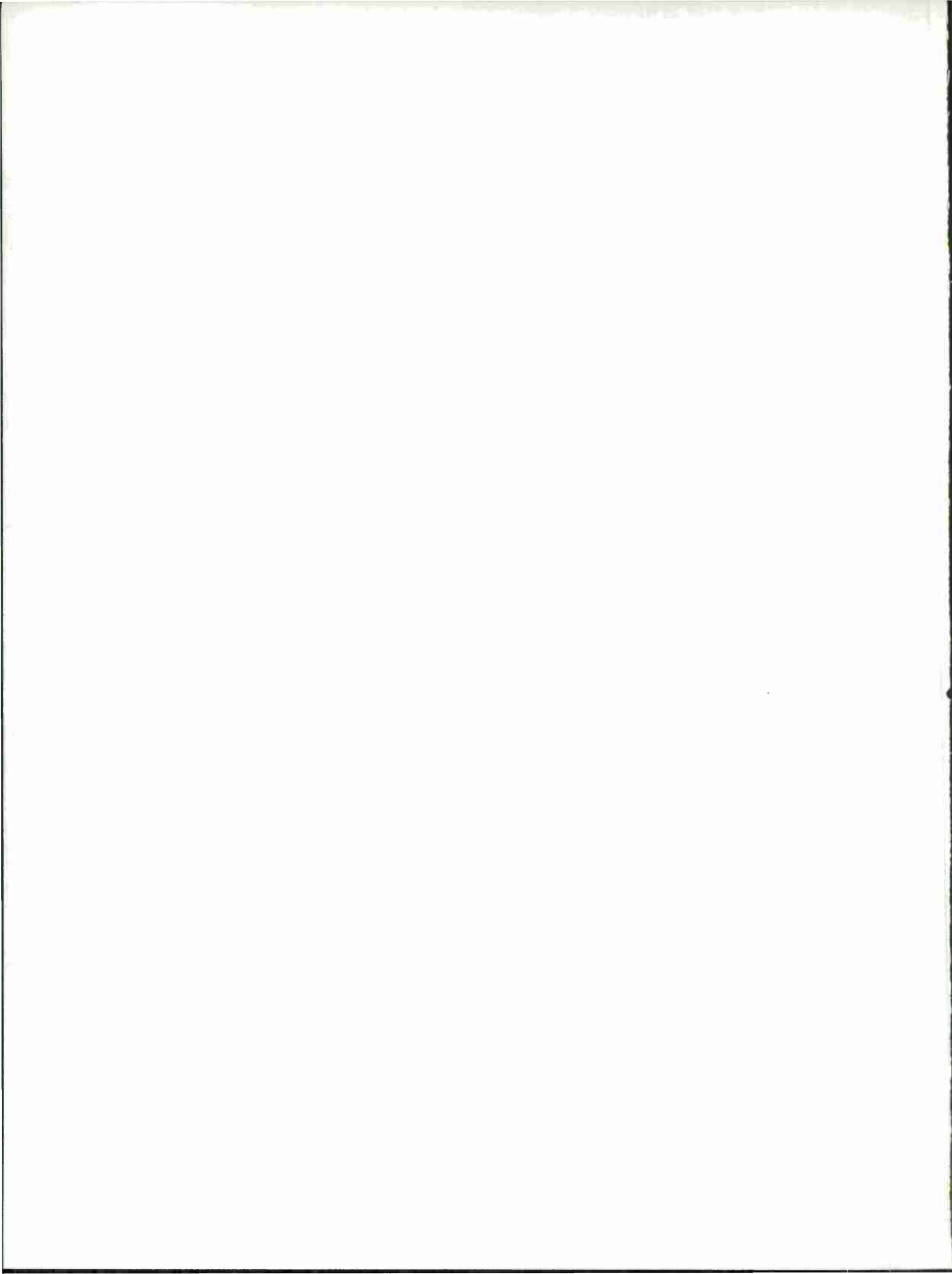
When light from an object is reflected successively from plane mirror surfaces, a rotated image is produced. An equation is derived and tabulated values presented for the amount of rotation in terms of directions of the incident and emergent light.

## REVIEW AND APPROVAL

This technical report has been reviewed and is approved.



JAMES W. WOODWARD, JR.  
Major, USAF  
Actg Chief, Computer Division  
Directorate of Computers



## SECTION I

### INTRODUCTION

Triple-mirror corner reflectors, and their prism equivalent, are familiar optical devices. Their performance is measured by how much the incident beam and the reflected beams differ from being parallel. The deviation due to lack of mutual perpendicularity between the three mirror (or prism) faces has been studied, using the techniques of vector algebra<sup>[1, 2]</sup>\* and an autocollimation technique described for measuring the deviation.<sup>[1]</sup>

The corner reflector is a special case of a larger class of multimirror systems. The requirement for other members of the class arises when there is a need, in an optical system, to have a rotated image (even number of mirrors) or a rotated mirror image (odd number of mirrors) of an object. A Dove prism<sup>[3]</sup> or its mirror equivalent<sup>[4]</sup> is a device which can be inserted into an in-line optical system to achieve the desired mirror image rotation. This report is concerned with mirror systems that produce rotated (mirror) images, in which the directions of incident and emergent light beams are not in-line nor otherwise parallel.

An earlier work in this field<sup>[5]</sup> provided a less than satisfactory formalism for selecting a set of mirror directions to produce a desired rotation, and failed to point out the simple relationship between object and image orientations in successive reflections. The formalism required the use of quaternions. Quaternions were concocted<sup>[6]</sup> by Sir William Hamilton. They are an algebraic system which can be used for dealing with three-dimensional problems in vector analysis.<sup>[7]</sup> They had previously been applied to triple-mirror systems.<sup>[8]</sup> The analysis which follows herein requires only conventional vector algebra and

---

\*Numbers in brackets denote references listed at the end of this report.

trigonometry, and results in a single relationship between the various optical parameters that can readily be employed in the design of a mirror system.



## SECTION II

### ANALYSIS

The unit vectors  $\underline{a}_0$ ,  $\underline{a}_1$ ,  $\underline{a}_2$ ,  $\underline{a}_3$ , etc., describe the direction of an incident light beam, and its direction after each successive reflection (see Figure 1). For a Dove prism,  $\underline{a}_0 = \underline{a}_3$  with three reflections; for a corner reflector,  $\underline{a}_0 = -\underline{a}_3$  with three reflections (see Figure 2). The vectors

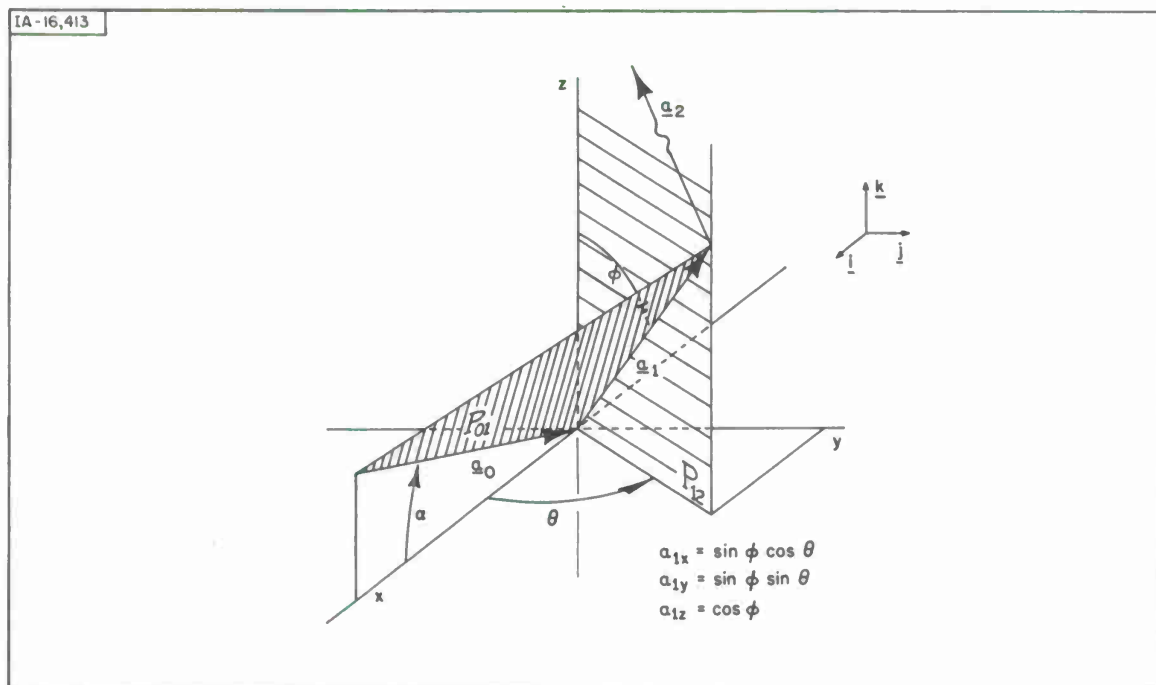


Figure 1. Vector Directions for Reflected Light Ray

$\underline{a}_0$  and  $\underline{a}_1$  in Figure 1 determine a plane,  $P_{01}$ , which, in addition, contains the unit vector  $\underline{n}_1$  perpendicular to the first mirror surface. If a vector in the object plane makes an angle,  $90^\circ - \beta$ , with plane  $P_{01}$ , then the mirror image of that vector (in the image plane) makes an angle,  $90^\circ + \beta$ , with plane  $P_{01}$ .

The vectors  $\underline{a}_1$  and  $\underline{a}_2$  in Figure 1 determine a plane  $P_{12}$  which, in addition, contains the unit vector  $\underline{n}_2$  perpendicular to the second mirror surface. The vector  $\underline{a}_1$  lies in the intersection of  $P_{01}$  and  $P_{12}$ . The angle

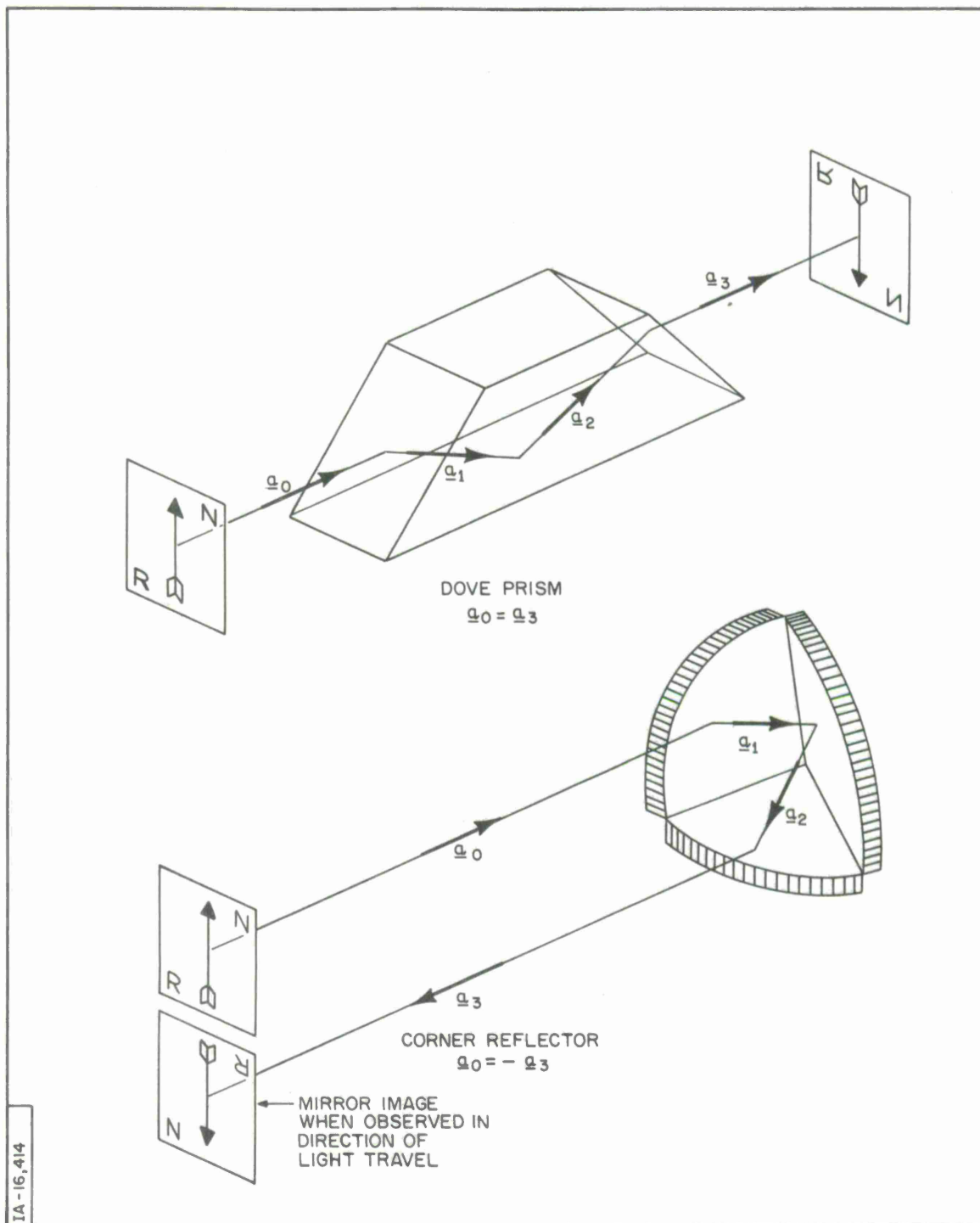


Figure 2. Vector Directions of Light Rays in a Dove Prism and a Corner Reflector

between  $P_{01}$  and  $P_{12}$  is  $A$ . Thus, the vector which makes an angle,  $90^\circ + \beta$ , with plane  $P_{01}$ , makes an angle,  $90^\circ + \beta + A$ , with plane  $P_{12}$ , and after reflection in mirror 2, makes an angle,  $90^\circ - \beta - A$ , with plane  $P_{12}$ .

Similarly,  $\underline{a}_2$  and  $\underline{a}_3$  determine plane  $P_{23}$  which makes an angle,  $B$ , with plane  $P_{12}$ . The vector which makes an angle,  $90^\circ - \beta - A$ , with  $P_{12}$  makes an angle,  $90^\circ + \beta + A - B$ , with plane  $P_{23}$  after reflection in mirror 3. With respect to  $P_{01}$ , the total rotation of the original object vector which has been triply reflected is  $A - B + 2\beta$ . Thus, in a Dove prism ( $A = B = 0$ ), if a vector makes an angle  $\beta$  with the plane containing the three normals to the mirror (or prism) faces, it will make an angle of  $2\beta$  with its image.

The unit vectors are written in terms of their components according to the orientation of the coordinate system of Figure 1:

$$\begin{aligned}\underline{a}_0 &= -\underline{i} \cos \alpha - \underline{k} \sin \alpha, \\ \underline{a}_1 &= a_{1x} \underline{i} + a_{1y} \underline{j} + a_{1z} \underline{k}, \\ \underline{a}_2 &= -c a_{1x} \underline{i} - c a_{1y} \underline{j} + a_{2z} \underline{k}.\end{aligned}\tag{1}$$

The vectors  $\underline{a}_1$  and  $\underline{a}_2$  lie in plane  $P_{12}$  which contains the  $z$ -axis;  $c$  is an arbitrary constant, and  $a_{2z}$  is arbitrary. Angle  $A$  between planes  $P_{01}$  and  $P_{12}$  is evaluated by computation of the dot-product of the normals to the planes.

$$\cos A = \frac{(\underline{a}_0 \times \underline{a}_1) \cdot (\underline{a}_1 \times \underline{a}_2)}{|\underline{a}_0 \times \underline{a}_1| |\underline{a}_1 \times \underline{a}_2|}.\tag{2}$$

The quantities  $a_{2z}$  and  $c$  drop out of this expression, and, writing  $a_x$ ,  $a_y$ , and  $a_z$  for  $a_{1x}$ ,  $a_{1y}$ , and  $a_{1z}$ , Equation (2) takes the form

$$\cos A = \frac{\left(a_x^2 + a_y^2\right) \sin \alpha - a_x a_z \cos \alpha}{\left(a_x^2 + a_y^2\right)^{1/2} \left[1 - \left(a_x \cos \alpha + a_z \sin \alpha\right)^2\right]^{1/2}} \quad (3)$$

In terms of the angles  $\theta$  and  $\phi$  (see Figure 1),

$$\cos A = \frac{\sin \phi \sin \alpha - \cos \phi \cos \alpha \cos \theta}{\left[1 - (\cos \phi \sin \alpha + \sin \phi \cos \alpha \cos \theta)^2\right]^{1/2}} \quad (4)$$

Values of  $A$  corresponding to various values for  $\alpha$ ,  $\theta$ , and  $\phi$  are given in Table I. They were computed on an IBM 7030. (For negative values of  $\alpha$ , read  $180^\circ - \alpha$  instead of  $\alpha$ , and take values listed for positive  $\alpha$  from the table.)

The direction cosines  $a_x$ ,  $a_y$ , and  $a_z$  for the vector  $\underline{a}_1$  can be calculated from the values of  $\theta$  and  $\phi$  taken from Table I. The orientation of the first mirror can be found by determination of the elements of the tensor which rotates  $\underline{a}_0$  into  $\underline{a}_1$ .<sup>[1, 2]</sup> This tensor can be constructed simply. The vector diagram (Figure 3) in which  $\underline{a}_0$  and  $\underline{a}_1$  represent the incident and reflected rays, respectively, and  $\underline{n}_1$  is the outward normal to the mirror, all vectors are of unit length, and  $\underline{a}_1$  can be related to  $\underline{a}_0$  and  $\underline{n}_1$ :

$$\underline{a}_1 = \underline{a}_0 - 2(\underline{n}_1 \cdot \underline{a}_0) \underline{n}_1 \quad (5)$$

If the tensor is to be written in dyadic form, and  $\underline{1}$  is the unit dyad, Equation (5) can be rearranged to the form,

$$\underline{a}_1 = \left( \underline{1} - 2 \underline{n}_1 \underline{n}_1 \right) \cdot \underline{a}_0 \quad (6)$$

and, finally,

$$\underline{a}_1 = \left( \underline{1} - 2 \underline{n}_1 \underline{n}_1 \right) \cdot \underline{a}_0 \quad (7)$$

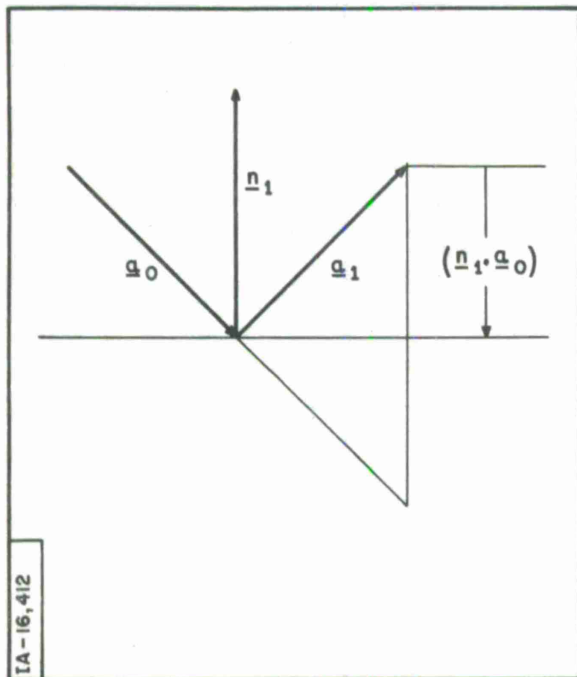


Figure 3. Vector Directions for Reflected Light Ray and Normal to Mirror Surface

The design procedure for a three-mirror, or equivalent prism, system should be to select  $\underline{a}_0$  and  $\underline{a}_3$  in the coordinate system of the optical instrument, most simply that system in which  $P_{12}$  is parallel to the  $z$ -axis. This determines values of  $\alpha$  corresponding to  $\underline{a}_0$  and  $\underline{a}_3$ . After selection of  $\theta$ , values of  $\phi$  for  $\underline{a}_1$  and  $\underline{a}_2$  must be found such that  $A$  and  $B$  (determined from the table) give the desired rotation  $A - B$ .

There is a sign ambiguity in the table; that is, there has been no statement regarding the sense of the angles of rotation. This is not because it is difficult to resolve, but rather it is the author's view that a simple laboratory mock-up of the mirror system is worth a page of diagrams and verbiage.

*D. A. Berkowitz*

D. A. Berkowitz

Table I

Values of A for Various Values of  $\alpha$ ,  $\theta$ , and  $\phi$ 

$\alpha$	$\theta$	A					
		$\phi = 15$	$\phi = 30$	$\phi = 45$	$\phi = 60$	$\phi = 75$	$\phi = 90$
0	15	164.496	162.808	159.246	151.813	134.007	90.0
	30	149.133	146.310	140.769	130.893	114.147	90.0
	45	134.007	130.893	125.264	116.565	104.511	90.0
	60	119.147	116.565	112.208	106.102	98.499	90.0
	75	104.511	103.064	100.729	97.631	93.967	90.0
	90	90.000	90.000	90.000	90.000	90.000	90.0
	105	75.489	76.936	79.271	82.369	86.033	90.0
	120	60.853	63.435	67.792	73.898	81.501	90.0
	135	45.993	49.107	54.736	63.435	75.489	90.0
	150	30.868	33.690	39.232	49.107	65.854	90.0
165	15.504	17.192	20.754	28.187	45.993	90.0	
15	15	163.318	159.776	152.237	134.111	88.048	44.007
	30	146.906	140.935	130.225	111.896	86.033	61.813
	45	130.953	124.081	113.709	99.750	83.881	69.246
	60	115.529	109.050	100.729	91.187	81.501	72.808
	75	100.593	95.333	89.617	83.934	78.767	74.496
	90	86.033	82.369	79.271	76.936	75.489	75.000
	105	71.705	69.658	68.912	69.484	71.361	74.496
	120	57.472	56.787	57.911	60.899	65.854	72.808
	135	43.224	43.454	45.724	50.370	58.001	69.246
	150	28.897	29.494	31.946	36.936	45.993	61.813
165	14.478	14.933	16.523	19.899	26.961	44.007	
30	15	161.722	154.712	136.712	86.234	40.071	24.146
	30	143.956	132.696	112.208	82.369	56.294	40.893
	45	127.038	114.597	97.393	78.299	62.083	50.769
	60	111.063	99.462	86.386	73.898	63.687	56.310
	75	95.944	86.178	76.874	69.010	63.069	59.133
	90	81.501	73.898	67.792	63.435	60.853	60.000
	105	67.534	62.036	58.528	56.911	57.109	59.133
	120	53.862	50.194	48.663	49.107	51.572	56.310
	135	40.346	38.123	37.902	39.639	43.671	50.769
	150	26.891	25.705	26.100	28.187	32.600	40.893
165	13.447	12.954	13.343	14.751	17.768	24.146	

Table I (Concl'd)  
 Values of A for Various Values of  $\alpha$  ,  $\theta$  , and  $\phi$

$\alpha$	$\theta$	A					
		$\phi = 15$	$\phi = 30$	$\phi = 45$	$\phi = 60$	$\phi = 75$	$\phi = 90$
45	15	158.999	142.436	84.682	34.045	19.876	14.511
	30	139.124	116.565	79.271	49.107	33.982	26.565
	45	120.859	99.030	73.675	54.068	42.088	35.264
	60	104.511	85.577	67.792	54.575	45.993	40.893
	75	89.477	74.061	61.517	52.671	47.057	44.007
	90	75.489	63.435	54.736	49.107	45.993	45.000
	105	62.221	53.142	47.339	44.138	43.081	44.007
	120	49.419	42.868	39.232	37.811	38.332	40.893
	135	36.898	32.443	30.361	30.105	31.610	35.264
	150	24.536	21.801	20.754	21.052	22.789	26.565
165	12.252	10.960	10.547	10.861	12.017	14.511	
60	15	151.900	83.496	25.537	14.278	10.308	8.499
	30	127.828	76.936	39.232	25.108	19.039	16.102
	45	108.364	70.266	44.294	31.666	25.387	22.208
	60	92.293	63.435	44.830	34.715	29.294	26.565
	75	78.399	56.395	42.838	35.174	31.024	29.147
	90	65.854	49.107	39.232	33.690	30.868	30.000
	105	54.136	41.542	34.456	30.660	29.036	29.147
	120	42.922	33.690	28.754	26.330	25.663	26.565
	135	32.007	25.561	22.293	20.881	20.856	22.208
	150	21.264	17.192	15.225	14.503	14.765	16.102
165	10.613	8.644	7.726	7.436	7.665	8.499	
75	15	82.753	14.112	7.538	5.378	4.112	3.967
	30	75.489	24.133	13.859	10.128	8.413	7.631
	45	68.194	29.425	18.293	13.802	11.676	10.729
	60	60.853	31.146	20.754	16.194	13.992	13.064
	75	53.455	30.469	21.470	17.293	15.271	14.511
	90	45.993	28.187	20.754	17.192	15.504	15.000
	105	38.464	24.803	18.895	16.032	14.738	14.511
	120	30.868	20.641	16.140	13.967	13.057	13.064
	135	23.211	15.924	12.695	11.156	10.574	10.729
	150	15.504	10.820	8.743	7.769	7.440	7.631
165	7.761	5.471	4.455	3.985	3.841	3.967	

## REFERENCES

1. P. R. Yoder, Jr., J. Opt. Soc. Am. 48, 496, 1958.
2. K. N. Chandler, J. Opt. Soc. Am., 50, 203, 1960.
3. F. A. Jenkins and H. E. White, Fundamentals of Optics, 3rd ed., (McGraw-Hill, New York), 1957.
4. C. H. Palmer, Optics, Experiments and Demonstrations, (The Johns Hopkins Press, Baltimore), 1962.
5. G. R. Rosendahl, J. Opt. Soc. Am. 50, 287, 1960; G. R. Rosendahl, J. Opt. Soc. Am. 50, 859, 1960.
6. G. Birkhoff and S. MacLane, A Survey of Modern Algebra, (The Macmillan Company, New York), 1950.
7. I. Stringham, Encyclopedia Americana, 1960 ed., (Americana Corp., New York), vol. 23, Quaternions, p. 66.
8. H. Wagner, Optik 8, 456, 1951.



## DOCUMENT CONTROL DATA - R&amp;D

(Security classification of title, body of abstract and indexing annotation must be entered when the overall report is classified)

1. ORIGINATING ACTIVITY (Corporate author) The MITRE Corporation Bedford, Massachusetts		2a. REPORT SECURITY CLASSIFICATION Unclassified	
		2b. GROUP	
3. REPORT TITLE Light Reflections from Systems of Plane Mirrors			
4. DESCRIPTIVE NOTES (Type of report and inclusive dates) N/A			
5. AUTHOR(S) (Last name, first name, initial) Berkowitz, David A.			
6. REPORT DATE September 1965		7a. TOTAL NO. OF PAGES 12	7b. NO. OF REFS 8
8a. CONTRACT OR GRANT NO. AF19(628)-2390		9a. ORIGINATOR'S REPORT NUMBER(S) ESD-TR-65-132	
b. PROJECT NO. 508G		9b. OTHER REPORT NO(S) (Any other numbers that may be assigned this report) TM-4187	
c.			
d.			
10. AVAILABILITY/LIMITATION NOTICES Qualified requestors may obtain from DDC. DDC release to CFSTI (formerly OTS) authorized.			
11. SUPPLEMENTARY NOTES		12. SPONSORING MILITARY ACTIVITY Directorate of Computers Electronic Systems Division L. G. Hanscom Field, Bedford, Mass.	
13. ABSTRACT When light from an object is reflected successively from plane mirror surfaces, a rotated image is produced. An equation is derived and tabulated values presented for the amount of rotation in terms of directions of the incident and emergent light.			

14. KEY WORDS  Mirror Systems Design Plane Mirrors Image Rotation Geometric Optics	LINK A		LINK B		LINK C	
	ROLE	WT	ROLE	WT	ROLE	WT

**INSTRUCTIONS**

**1. ORIGINATING ACTIVITY:** Enter the name and address of the contractor, subcontractor, grantee, Department of Defense activity or other organization (*corporate author*) issuing the report.

**2a. REPORT SECURITY CLASSIFICATION:** Enter the overall security classification of the report. Indicate whether "Restricted Data" is included. Marking is to be in accordance with appropriate security regulations.

**2b. GROUP:** Automatic downgrading is specified in DoD Directive 5200.10 and Armed Forces Industrial Manual. Enter the group number. Also, when applicable, show that optional markings have been used for Group 3 and Group 4 as authorized.

**3. REPORT TITLE:** Enter the complete report title in all capital letters. Titles in all cases should be unclassified. If a meaningful title cannot be selected without classification, show title classification in all capitals in parenthesis immediately following the title.

**4. DESCRIPTIVE NOTES:** If appropriate, enter the type of report, e.g., interim, progress, summary, annual, or final. Give the inclusive dates when a specific reporting period is covered.

**5. AUTHOR(S):** Enter the name(s) of author(s) as shown on or in the report. Enter last name, first name, middle initial. If military, show rank and branch of service. The name of the principal author is an absolute minimum requirement.

**6. REPORT DATE:** Enter the date of the report as day, month, year; or month, year. If more than one date appears on the report, use date of publication.

**7a. TOTAL NUMBER OF PAGES:** The total page count should follow normal pagination procedures, i.e., enter the number of pages containing information.

**7b. NUMBER OF REFERENCES:** Enter the total number of references cited in the report.

**8a. CONTRACT OR GRANT NUMBER:** If appropriate, enter the applicable number of the contract or grant under which the report was written.

**8b, 8c, & 8d. PROJECT NUMBER:** Enter the appropriate military department identification, such as project number, subproject number, system numbers, task number, etc.

**9a. ORIGINATOR'S REPORT NUMBER(S):** Enter the official report number by which the document will be identified and controlled by the originating activity. This number must be unique to this report.

**9b. OTHER REPORT NUMBER(S):** If the report has been assigned any other report numbers (*either by the originator or by the sponsor*), also enter this number(s).

**10. AVAILABILITY/LIMITATION NOTICES:** Enter any limitations on further dissemination of the report, other than those

imposed by security classification, using standard statements such as:

- (1) "Qualified requesters may obtain copies of this report from DDC."
- (2) "Foreign announcement and dissemination of this report by DDC is not authorized."
- (3) "U. S. Government agencies may obtain copies of this report directly from DDC. Other qualified DDC users shall request through \_\_\_\_\_."
- (4) "U. S. military agencies may obtain copies of this report directly from DDC. Other qualified users shall request through \_\_\_\_\_."
- (5) "All distribution of this report is controlled. Qualified DDC users shall request through \_\_\_\_\_."

If the report has been furnished to the Office of Technical Services, Department of Commerce, for sale to the public, indicate this fact and enter the price, if known.

**11. SUPPLEMENTARY NOTES:** Use for additional explanatory notes.

**12. SPONSORING MILITARY ACTIVITY:** Enter the name of the departmental project office or laboratory sponsoring (*paying for*) the research and development. Include address.

**13. ABSTRACT:** Enter an abstract giving a brief and factual summary of the document indicative of the report, even though it may also appear elsewhere in the body of the technical report. If additional space is required, a continuation sheet shall be attached.

It is highly desirable that the abstract of classified reports be unclassified. Each paragraph of the abstract shall end with an indication of the military security classification of the information in the paragraph, represented as (TS), (S), (C), or (U).

There is no limitation on the length of the abstract. However, the suggested length is from 150 to 225 words.

**14. KEY WORDS:** Key words are technically meaningful terms or short phrases that characterize a report and may be used as index entries for cataloging the report. Key words must be selected so that no security classification is required. Identifiers, such as equipment model designation, trade name, military project code name, geographic location, may be used as key words but will be followed by an indication of technical context. The assignment of links, rules, and weights is optional.

