

AD 608173

DASA-13.062

R 331

Technical Report

NCEL DYNAMIC TESTING MACHINE

30 October 1964

| | | |
|------------|------|-----|
| NO. 2 | 3 | YAL |
| MANUSCRIPT | 0.75 | |
| MICROFORM | 0.50 | |

35p



U. S. NAVAL CIVIL ENGINEERING LABORATORY
Port Hueneme, California

NOV 11 1964

LIBRARY

ARCINE COPY

INTRODUCTION

With the developing construction technology involved with blast-type loadings, there has evolved a greater need to know more precisely how structural materials respond to such loadings. A continuing task at this laboratory is the determination of the dynamic properties of basic materials for which such data is lacking.

As early as January 1961, the Bureau of Yards and Docks approved funds to conduct dynamic tests on a specially fabricated high-strength reinforcing steel (Task Y-F008-10-401, Dynamic Properties of Structural Materials). This steel had been used in partially prestressed concrete beams (Task Y-F008-10-102A); however, no information was available about the dynamic response of this chrome-alloy steel, identifiable as a modified A-431. The specific information desired was to determine the magnitude of any increase of values for yield stress associated with increasing rates of strain compared to a conventional static value.

Coincident with the immediate need for knowledge of the dynamic properties of this steel, as well as the long-range requirement for dynamically testing other materials, was the need for a high-speed testing machine capable of applying dynamic loads on standard steel tensile specimens at constant strain rates to about 1.5 to 2 inches per inch per second. Accordingly, promising dynamic testing machines were used to evaluate the capabilities of the machines and to obtain immediate information on the dynamic properties of the A-431 steel. None of the machines evaluated or investigated proved wholly adequate for the purpose. Either they were too slow or did not have adequate control over the head velocity at the testing speeds of interest. Consequently, specifications were written and a contract was awarded for the development of a suitable machine. Details of the initial tests of this steel together with specifications for the NCEL dynamic testing machine are delineated in TN-427.*

* U. S. Naval Civil Engineering Laboratory. Technical Note N-427: Dynamic tests on high-strength steel, by W. L. Cowell and J. R. Keeton. Port Hueneme, Calif., 10 Feb. 1962.

The purpose of this report is to describe the characteristics and capabilities of the testing machine supplied under contract, to present the results of tests with the machine on the A-431 steel, and to compare these results with the earlier results obtained for this steel by other high-speed testing machines as reported in TN-427.

NCEL DYNAMIC TESTING MACHINE

The NCEL dynamic testing machine together with its electronic console is pictured in Figure 1. Schematic diagrams of the machine are presented in Figures 2 and 3. All numbered valves are electrically operated solenoid valves; lettered valves are hand-operated valves.

General characteristics of the machine are a maximum static capacity of 50,000 pounds and head velocities up to 15 inches per second. The piston stroke is 4 inches. Using the booster, the head velocity can be increased to 30 inches per second and the static load capacity can be increased to 80,000 pounds. The piston stroke at the higher velocity is 0.75 inch; the head velocity will reduce to 15 inches per second for the remainder of the 4-inch stroke. With standard steel tensile specimens (0.2-square-inch area), strain rates of 1.5 inches per inch per second can be obtained.

The basic operation of the machine proceeds as follows:

1. An operating air pressure, supplied by an external compressor, is introduced into the air side of the main accumulator. The selected air pressure determines the maximum load that can be applied with the testing machine.
2. The hydraulic pump's electrical switch is closed. This action, in addition to starting the pump, also opens valve No. 4 and closes valve No. 3. The pump introduces hydraulic fluid into the main accumulator, forcing the floating piston to the top of the accumulator. The pump continues to operate until at a preselected hydraulic pressure, in excess of the air pressure, a pressure switch turns off the pump and also opens valves No. 1 and 3 and closes valve No. 4. In addition to charging the accumulator, the pump pressure also closes the fast-opening valve.
3. The opening of valve No. 1 allowed the pressure to equalize on both sides of the main piston. The lower side of the main piston has a larger surface area because the lower piston rod is slightly smaller in diameter (d_1) than the upper rod (d_2). The resulting upward force slowly raises the main piston to the top of the cylinder and holds it there in a cocked position until the machine is fired. This machine condition is illustrated in Figure 2.

4. To fire the machine, a switch is closed starting a time relay. The first action is the closing of valve No. 1, which isolates the top from the bottom of the cylinder. The second action is the opening of valve No. 4, which releases the pressure that held the fast-opening valve closed. The air pressure acting under the piston of the fast-opening valve then fires the piston upward, opening the valve and allowing the fluid in the bottom of the cylinder to flow out and return to the reservoir. The hydraulic pressure acting on top of the main piston is maintained by the main accumulator and forces the piston down when the fast-opening valve opens. Figure 3 illustrates the general position of the machine parts after a test. The bag-type accumulators at the top and bottom of the fast-opening valve serve as surge tanks for the comparatively large volume of fluid discharged during a test.

5. The head velocity of the machine is controlled by several hand-operated metering valves designated A, B, and C. The settings for these valves are established before each test and are not changed until a new head velocity is desired.

6. The machine can apply a specific load and hold this load for a time interval before releasing it. This feature of the machine has not been used or fully evaluated at the present time. The time interval to reach the specified load is a function of the specimen resistance and is controlled by the hand-operated valves. The time from the beginning of a test until the load is released can be varied from 10 milliseconds to 3 seconds.

7. Static testing can be performed by closing valve No. 1 and apply the load by opening hand valve D.

Since the machine operates in one direction only, tensile specimens are attached to the upper piston rod and then to an adjustable column projecting down from a crossbeam. Each specimen connection is transferred through a ball joint to maintain uniaxial loading. Compression tests are carried out in the lower part of the machine by placing the specimen under the lower piston rod. The bearing surface on which the specimen rests is adjustable to varying heights. The bearing head attached to the lower piston rod contains a spherical seat.

MACHINE CALIBRATION

As presently used in loading materials at various strain rates, the machine has been calibrated in the following manner:

1. A series of curves has been developed for selected operating air pressures, showing the head velocity corresponding to a particular valve setting. These curves are shown in Figure 4.

2. Depending on the specimen configuration, the type of material, and the method of attaching the specimen (pinned or threaded), a reasonable relationship can be established between head velocity and strain rate. This relationship is illustrated in Figure 5. To obtain machine settings for testing a specimen at a specific strain rate, the corresponding head velocity is determined from Figure 5; valve settings are then obtained from Figure 4. After one test has been conducted, small adjustments in settings can be made, if necessary, to more precisely obtain the desired strain rate.

RECORDING INSTRUMENTS

Test data is recorded on an oscillograph using System D, 3-kc amplifiers. Basic information obtained in a test is the machine head displacement, the strain in the reduced section of the specimen, and the load resistance of the specimen as a function of time.

MACHINE PERFORMANCE CHARACTERISTICS

Initial tests with the machine revealed considerable oscillation in the load trace at the higher head velocities when the stress in a specimen reached yield. This undesirable characteristic was not confined to materials exhibiting both upper and lower yield points, which by their very nature would induce vibrations. A series of tests with aluminum specimens (a material not having a definite yield point) produced the same type of oscillation, which began at or near the proportional limit. At this time the load cell (50,000-pound capacity) was located between the ball-and-socket joint and the upper crosshead of the machine (see Figure 1). The frequency of the oscillation was approximately 400 cps, and occasionally the load trace showed an oscillation with a magnitude of 2,200 pounds. For a standard tensile specimen (0.2-square-inch area) this was equivalent to 11,000 psi.

Several attempts to stiffen the machine resulted in little improvement. Gages placed on the enlarged portion of the test specimen between the radius and threads did not exhibit the vibration. A small tension link was fabricated, instrumented with strain gages, and calibrated in a static testing machine to serve as a load cell. Figure 6 shows a typical test unit in place. The tension link screwed directly into the ball-and-socket joint. Figure 7 illustrates the improvement in the load trace using the tension link.

Another problem presented by the machine was a slow accumulation of air in the hydraulic fluid. As noted earlier, the pump pressure switch is set at some pressure higher than the air pressure used in the accumulator and, in effect, this pressurizes

the air entrapped in the fluid, forming an uncontrolled accumulator within the hydraulic system. This entrapped air caused a high strain rate at the very beginning of a test, followed by a gradually lowering strain rate as the fluid pressure reduced to the air pressure in the main accumulator. A small valve was installed at the bottom of the main accumulator to bleed the entrapped air out of the hydraulic system, and a pressure gage was installed to indicate the hydraulic pressure in the system. The air and hydraulic pressures can be equalized prior to firing the machine by opening valve D (Figure 2), permitting hydraulic fluid to return to the reservoir.

The maximum operating pressure when using only the main accumulator is 1,800 psi. To obtain very high head velocities, the booster is used at pressures up to 2,800 psi. The capacity of the booster is large enough to maintain the higher head velocities through fracture of a steel specimen. The increase in head velocity when using the booster can be seen by referring to Figure 4. The pressure loss in the piping from the main accumulator becomes quite high as the head velocity increases. At the maximum valve opening, the head velocity when using the booster is double that of the machine without the booster. When it is necessary to test at head velocities in excess of 8 inches per second, it is desirable to use the booster.

For tensile test specimens used in this series of tests, the maximum strain rate obtained was just over 2 inches per inch per second. Previous tests using flat aluminum specimens with pinned connections produced strain rates up to 4 inches per inch per second. The increase in strain rate was due primarily to the lower modulus of elasticity of aluminum and to pinned connections rather than threaded connections.

TEST SPECIMENS

The test specimens reported in this series were machined from the same reinforcing bars as those reported in TN-427. The specimen configuration is shown in Figure 8. The mill analysis of this steel showed the following composition in percent:

| C | Mn | P | S | Si | Cr |
|------|------|-------|-------|------|------|
| 0.59 | 0.92 | 0.019 | 0.023 | 0.33 | 0.92 |

Strain in the reduced section was measured with a 1/2-inch foil-type resistance strain gage. The remaining arms of the bridge were formed with similar gages cemented to small blocks of steel (see Figure 6). Load was measured with a tension link similar to that shown in Figure 6.

TEST RESULTS

Results of the dynamic tests are shown in Table I. The strain rate was calculated from the trace of the strain gage in the reduced section of the specimen. As indicated earlier, the load was calculated from the output of a load cell connected directly to the test specimen. A typical oscillogram is illustrated in Figure 9.

Since this material exhibits a marked yield point, there was little difficulty in locating and determining the yield load. The maximum load and the rupture load are equally evident on the oscillogram. Measurements for percent elongation and percent reduction in area were made after the specimen had broken. The values shown in Table I for strain in the plastic zone were determined from the strain gage by calculating the difference in strain between yield and the point where strain hardening set in. The slope of the strain gage trace changes at each of these points of interest.

DISCUSSION

Figure 10 is a plot of the upper yield stress as a function of strain rate. The yield stress is a logarithmic function of the strain rate up to 1 inch per inch per second. At this value there appears to be a sharp increase in yield point. Tests reported in TN-427 on this same steel indicate reasonable correlation with the present tests at strain rates of 0.04 and 0.4 inch per inch per second. Test results from TN-427 and the straight-line equation that seemed to fit the data at that time have been included in Figure 11 along with the plots of the original data from the present test series. No explanation has been found for the apparent discrepancy of tests at the intermediate strain rates; although it should be stressed that results presented in TN-427 were obtained with machines and instrumentation as a whole somewhat inferior to the present NCEL equipment. The maximum increase in upper yield stress is approximately 25 percent higher than the average static yield stress at strain rates around 2 inches per inch per second.

The tensile strength has been presented as a function of the machine head velocity in Figure 12. An increase in tensile strength seems evident up to a head velocity of 1 inch per second. From this point up to 10 inches per second the curve is approximately level. The three tests conducted at head velocities in excess of 20 inches per second indicate a higher tensile strength. The results show considerable scatter, and definite conclusions on the rate of increase in tensile strength cannot be made. A general increase in tensile strength with the speed of testing is evident but is not greater than 6 or 7 percent of the static tensile strength.

Table I. Dynamic Test Results for Chrome-Alloy Steel

| Strain Rate (in./in./sec) | Upper Yield Stress (psi) | Lower Yield Stress (psi) | Tensile Strength (psi) | Rupture Stress (psi) | Elongation (%) | Reduction in area (%) | Strain in Plastic Zone (μ in./in.) | Head Velocity at Ultimate Load (in./sec) |
|------------------------------|-----------------------------|-----------------------------|---------------------------|-------------------------|-------------------|--------------------------|--|---|
| 0.000074 | 96,000 | 94,000 | 147,000 | — | 14.5 | 55.3 | — | — |
| 0.0026 | 100,000 | 98,500 | 150,000 | 103,000 | 15.0 | 55.9 | 2750 | — |
| 0.0070 | 99,500 | 99,000 | — | 105,000 | 15.5 | 55.7 | 1900 | — |
| 0.029 | 103,500 | 100,500 | 154,500 | 107,000 | 15.5 | 53.6 | 1850 | 0.28 |
| 0.040 | 105,000 | 100,000 | 155,500 | 105,500 | 15.1 | 54.6 | 5450 | 0.43 |
| 0.044 | 104,500 | 104,000 | 159,500 | 113,000 | 14.0 | 49.9 | 2250 | 0.41 |
| 0.049 | 104,000 | 102,000 | 156,000 | 108,500 | 15.0 | 53.4 | 1650 | 0.41 |
| 0.087 | 108,000 | 105,500 | 158,500 | 109,000 | 16.5 | 52.9 | 3450 | 0.78 |
| 0.10 | 107,500 | 105,500 | 158,000 | 109,000 | 15.0 | 49.1 | 3550 | 0.97 |
| 0.11 | 113,500 | 107,000 | 163,000 | 108,500 | 16.2 | 52.6 | 2800 | 1.2 |
| 0.20 | 111,000 | 107,000 | 159,500 | 112,500 | 14.2 | 51.7 | 3150 | 2.5 |
| 0.21 | 110,000 | 107,000 | 160,500 | 112,500 | 14.6 | 51.9 | 2900 | 2.3 |
| 0.22 | 110,500 | 106,500 | 160,500 | 108,500 | 15.8 | 54.5 | 4250 | 1.9 |
| 0.28 | 108,000 | 107,000 | 157,000 | 190,500 | 13.0 | 53.0 | 2800 | 3.1 |
| 0.45 | 110,500 | 107,000 | 158,000 | 107,500 | 15.2 | 55.0 | 4500 | 3.0 |
| 0.45 | 113,500 | 109,000 | 161,000 | 109,000 | 16.0 | 54.2 | 5150 | 3.3 |
| 0.45 | 111,500 | 107,500 | 159,000 | 112,000 | 15.5 | 51.7 | — | 3.0 |
| 0.46 | 112,000 | 110,000 | 164,500 | 117,000 | 14.8 | 49.6 | 3420 | 2.7 |
| 0.46 | 111,000 | 105,000 | 158,000 | 107,500 | 16.0 | 53.4 | 3750 | 2.5 |
| 0.46 | 112,500 | 108,500 | 159,500 | 116,500 | 14.0 | 51.0 | — | 3.0 |
| 0.76 | 114,000 | 110,500 | 159,000 | 112,500 | 13.2 | 53.6 | 4700 | 4.7 |
| 0.84 | 113,500 | 107,000 | 156,500 | 106,000 | 16.0 | 55.5 | — | 6.8 |
| 0.93 | 117,000 | 113,500 | 162,500 | 109,500 | 17.0 | 52.4 | — | 6.3 |
| 0.94 | 113,500 | 109,000 | 156,000 | 109,000 | 15.0 | 54.7 | — | 8.5 |
| 0.95 | 114,500 | 107,000 | 157,500 | 105,000 | 16.0 | 65.1 | — | 9.0 |
| 1.1 | 114,000 | 107,500 | 157,000 | 104,000 | 16.0 | 55.5 | — | 10.1 |
| 1.9 | 118,500 | 117,000 | 161,000 | 112,000 | 16.2 | 55.4 | — | 31.6 |
| 1.9 | 120,000 | 120,000 | 165,000 | 116,100 | 16.0 | 54.7 | — | 33.8 |
| 2.1 | 121,000 | 121,000 | 166,500 | 113,500 | 16.0 | 54.1 | — | 33.6 |
| 2.2 | 122,500 | 122,000 | — | 125,500 | 16.0 | 54.6 | — | 35.5 |
| 0.000007* | 95,900 | — | 151,800 | 108,400 | 16.0 | 50.5 | — | — |

* Average static measurements for six specimens (TN-427)

As noted in the previous tests reported in TN-427, there was no change in percent elongation or reduction in area at the testing rates used in this series. Figure 13 illustrates the ductile nature of the breaks observed with this steel.

FINDINGS AND CONCLUSIONS

Dynamic Testing Machine

1. The testing machine is adequate for determining the dynamic properties of standard steel tensile specimens at constant strain rates up to 1.5 inches per inch per second.
2. Strain rates slightly over 2 inches per inch per second were obtained for the chrome-alloy steel tested in this study.

Chrome-Alloy Steel

1. The upper yield stress increases linearly with the logarithm of the strain rate up to 1 inch per inch per second; however, beyond this point the increase in upper yield stress is curvilinear at an increasing rate. The increase in upper yield stress is approximately 25 percent at a strain rate of 2 inches per inch per second.
2. A general increase in tensile strength is evident with increased head velocities, but only about 6 or 7 percent higher than the static value.
3. Ductility, as measured by percent elongation and percent reduction in area, is not influenced by the speed of testing used in this investigation.

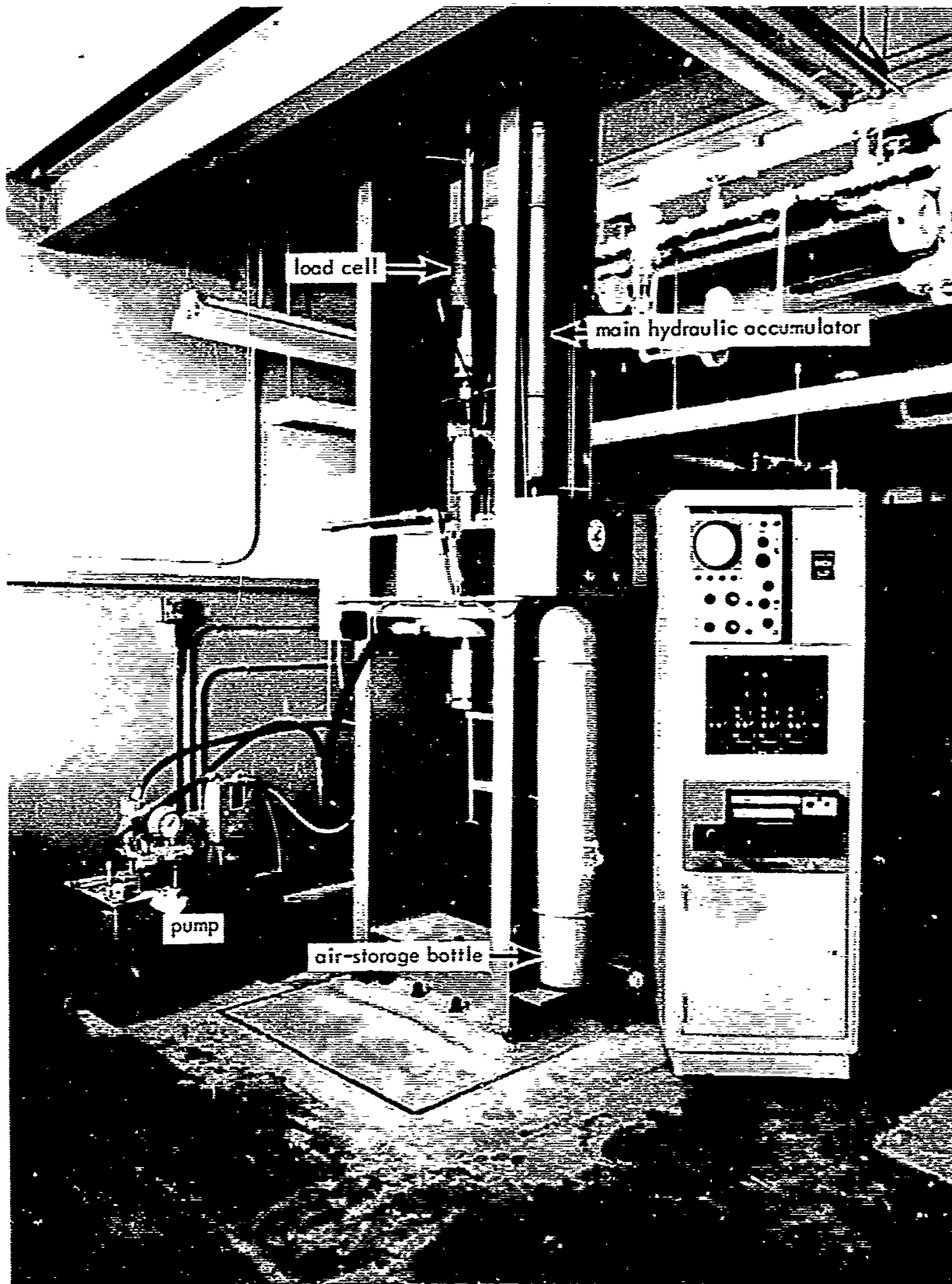


Figure 1. NCEL dynamic testing machine.

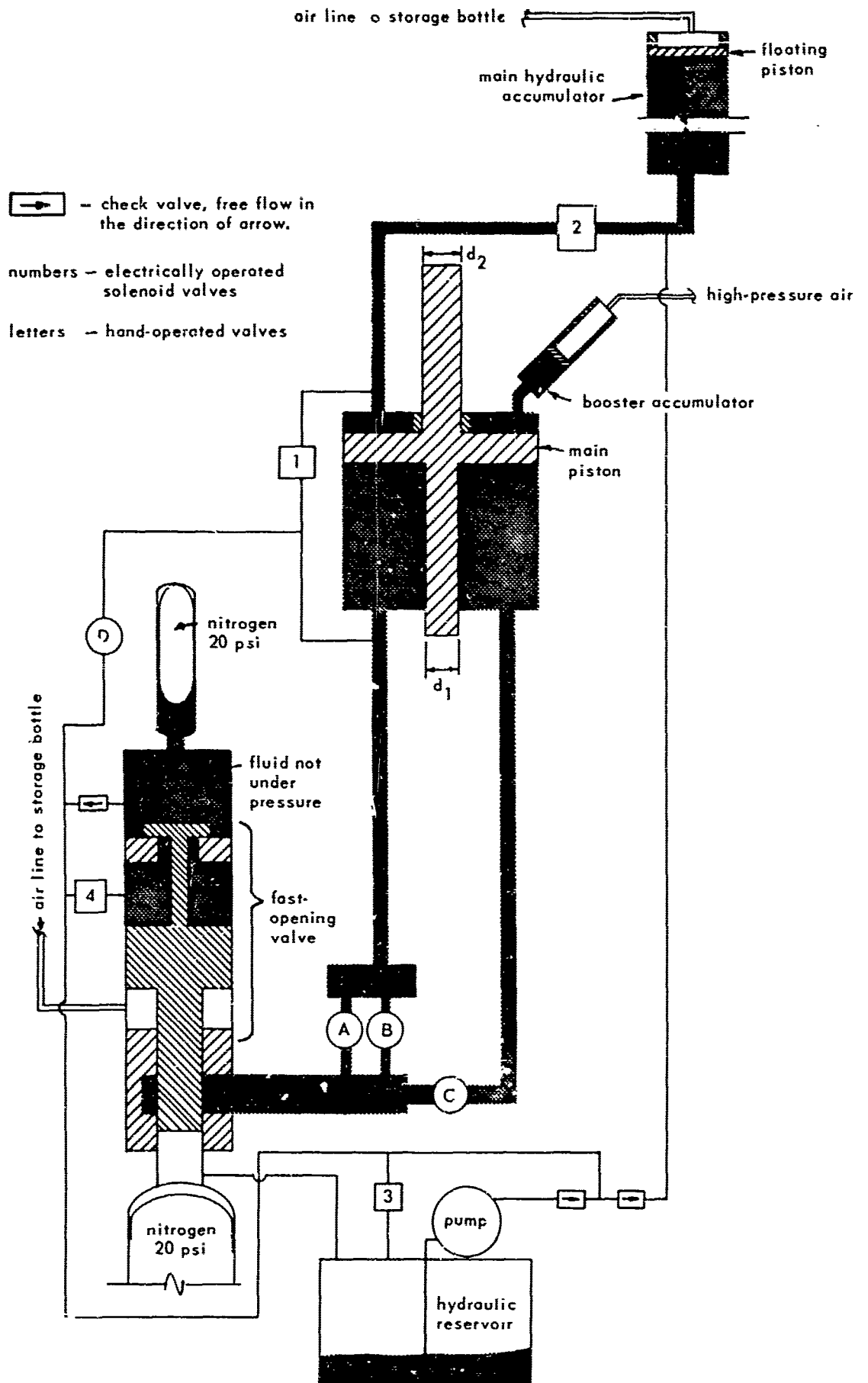


Figure 2. Schematic diagram of dynamic testing machine just prior to test.

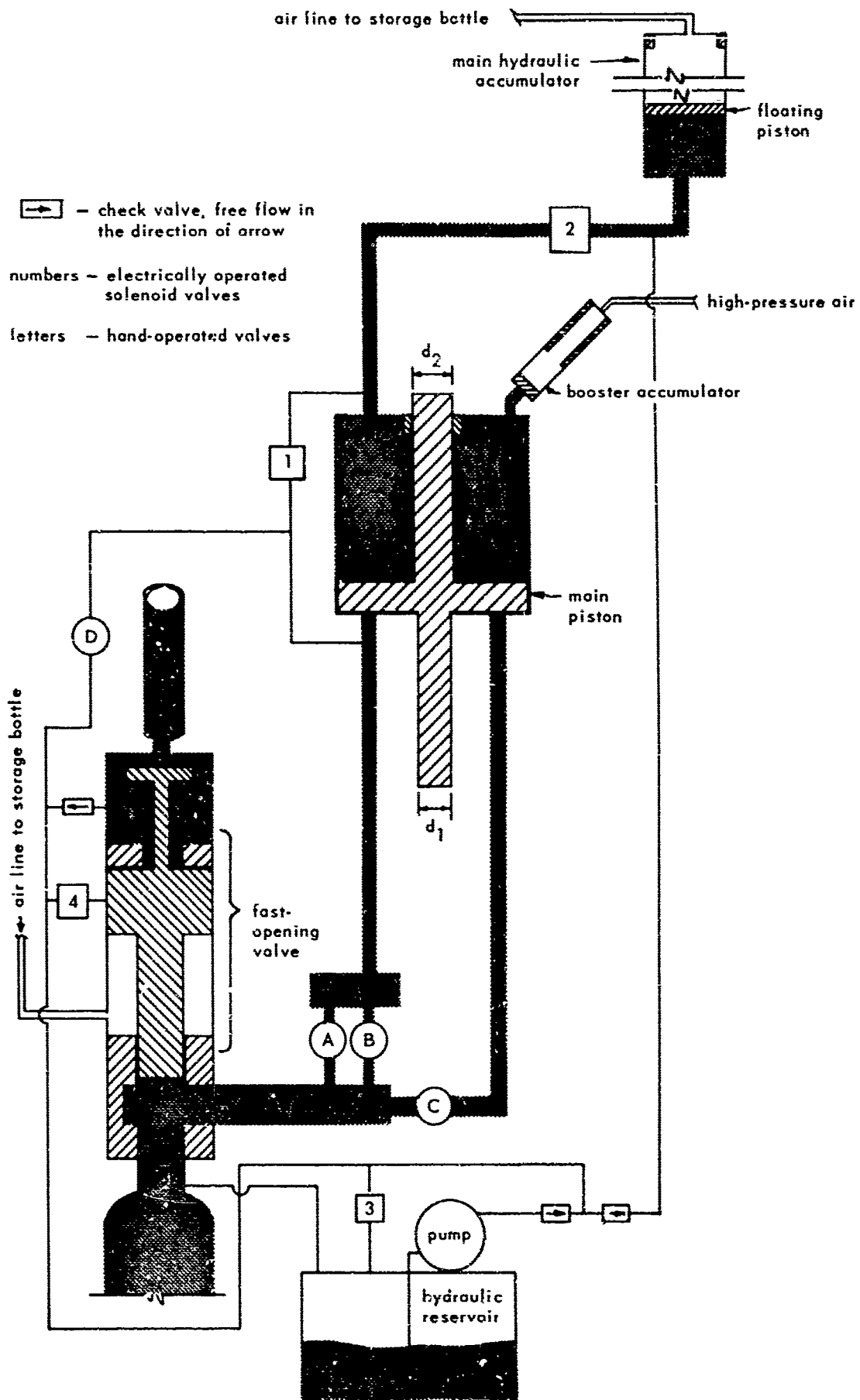


Figure 3. Schematic diagram of dynamic testing machine at the conclusion of a test.

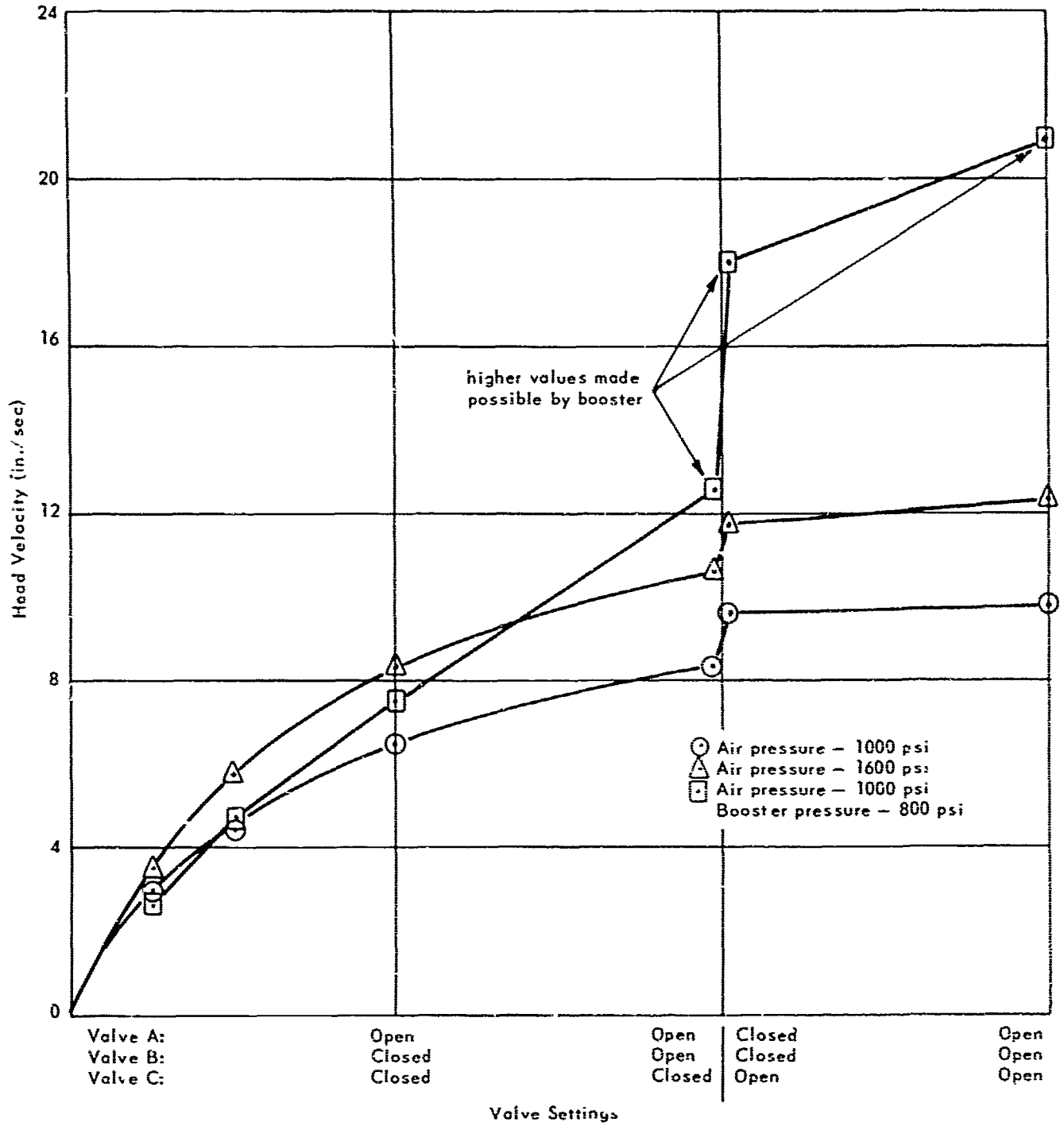


Figure 4. Head velocity vs valve settings.

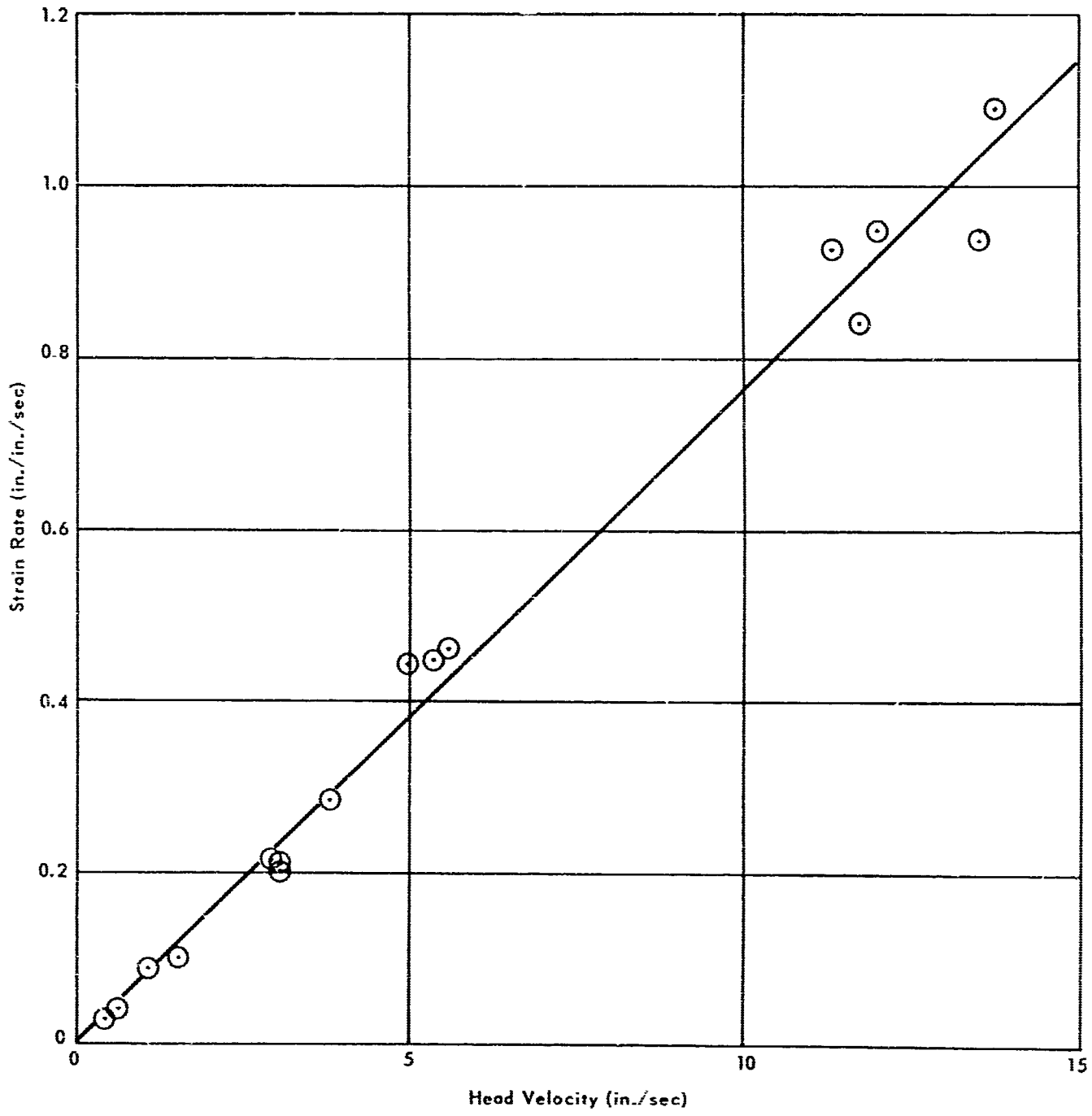


Figure 5. Strain rate vs machine head velocity.

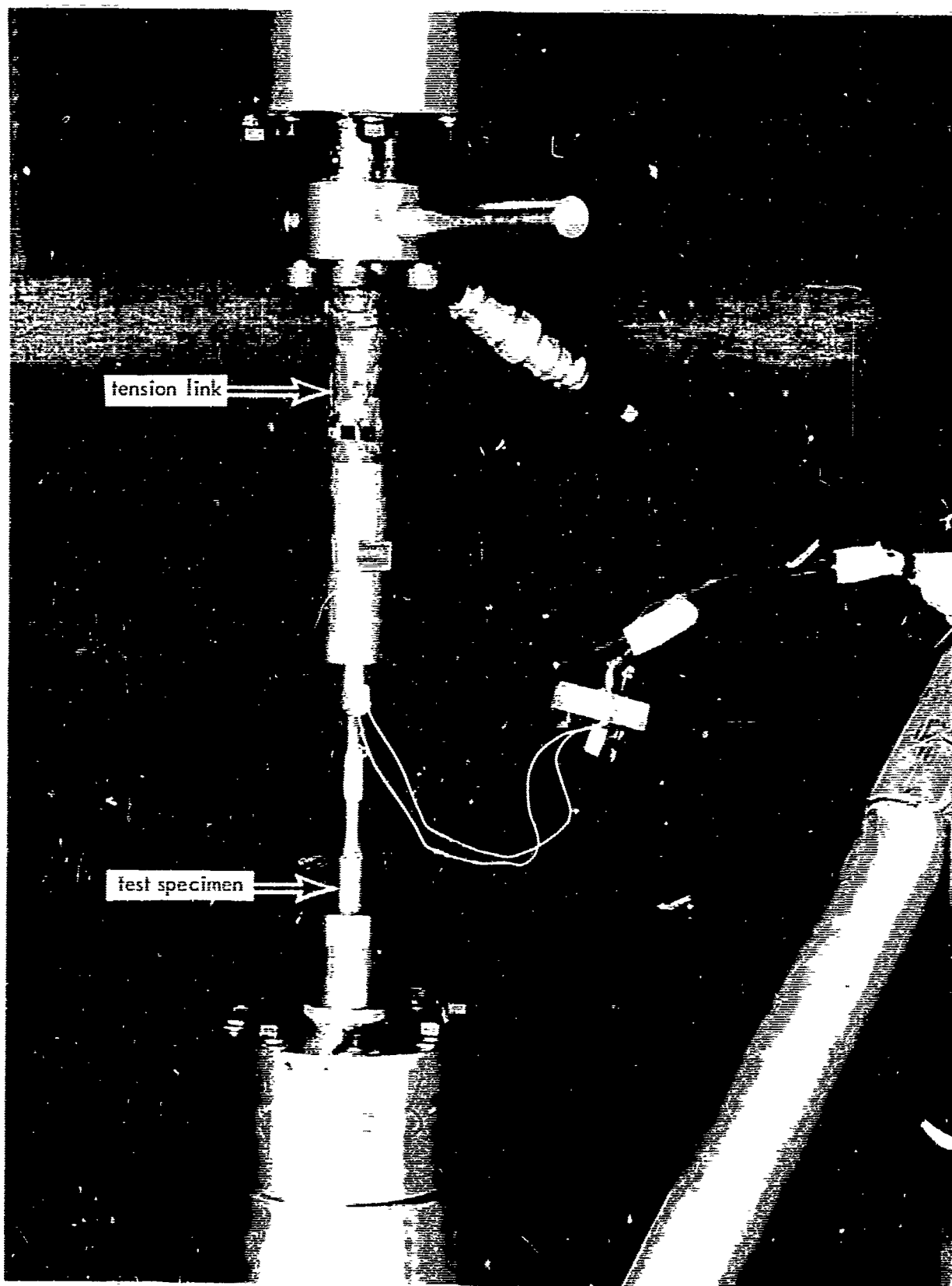


Figure 6. Typical test setup showing tension link and test specimen in place.

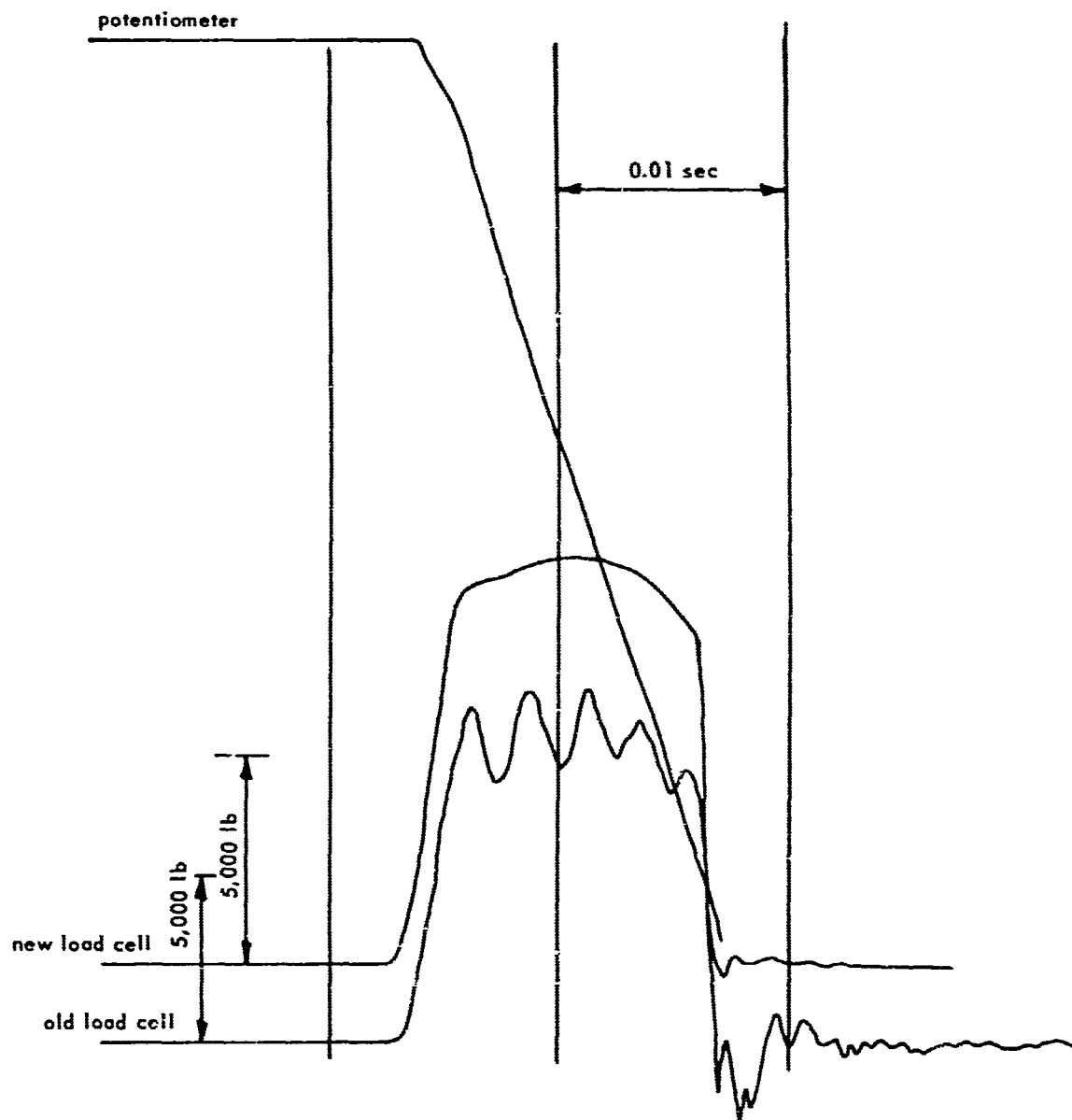


Figure 7. Oscillograph record comparing load cell characteristics.

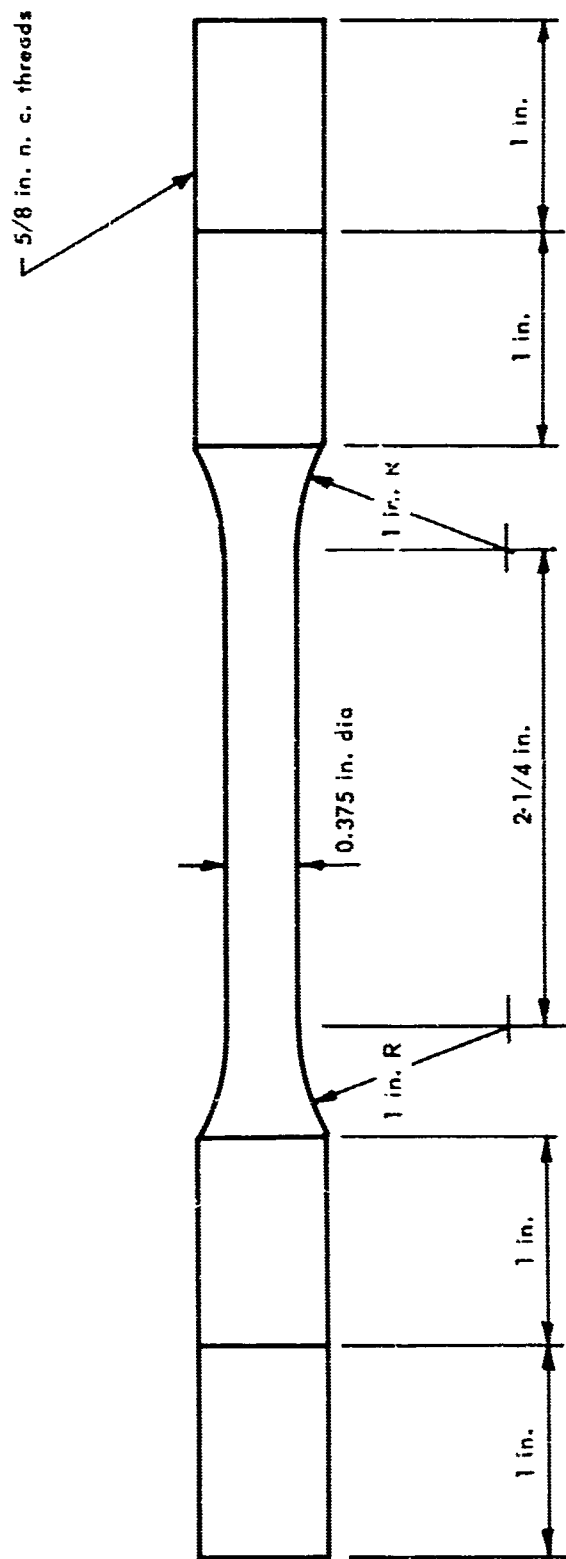


Figure 8. Test specimen.

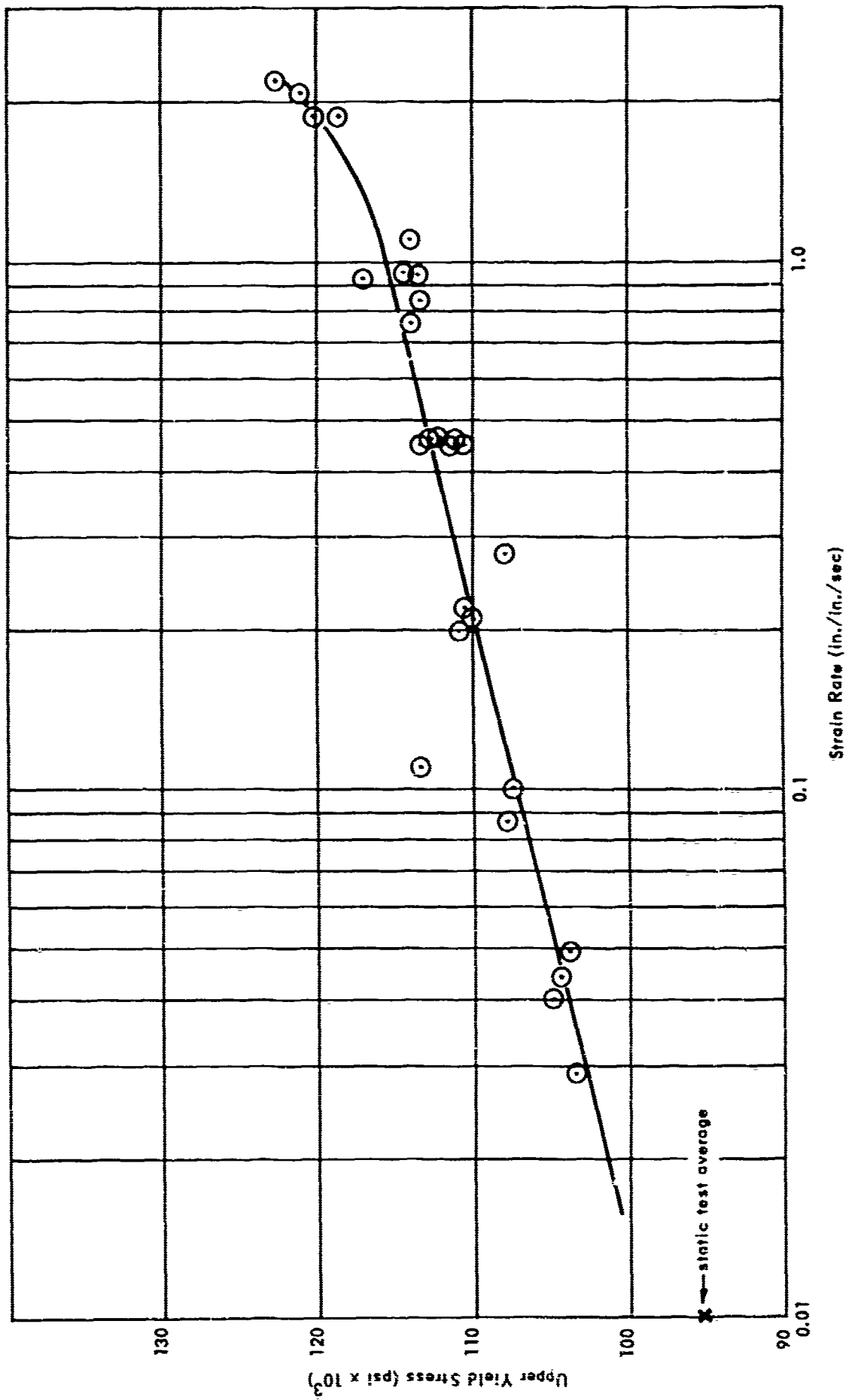


Figure 10. Strain rate vs upper yield stress.

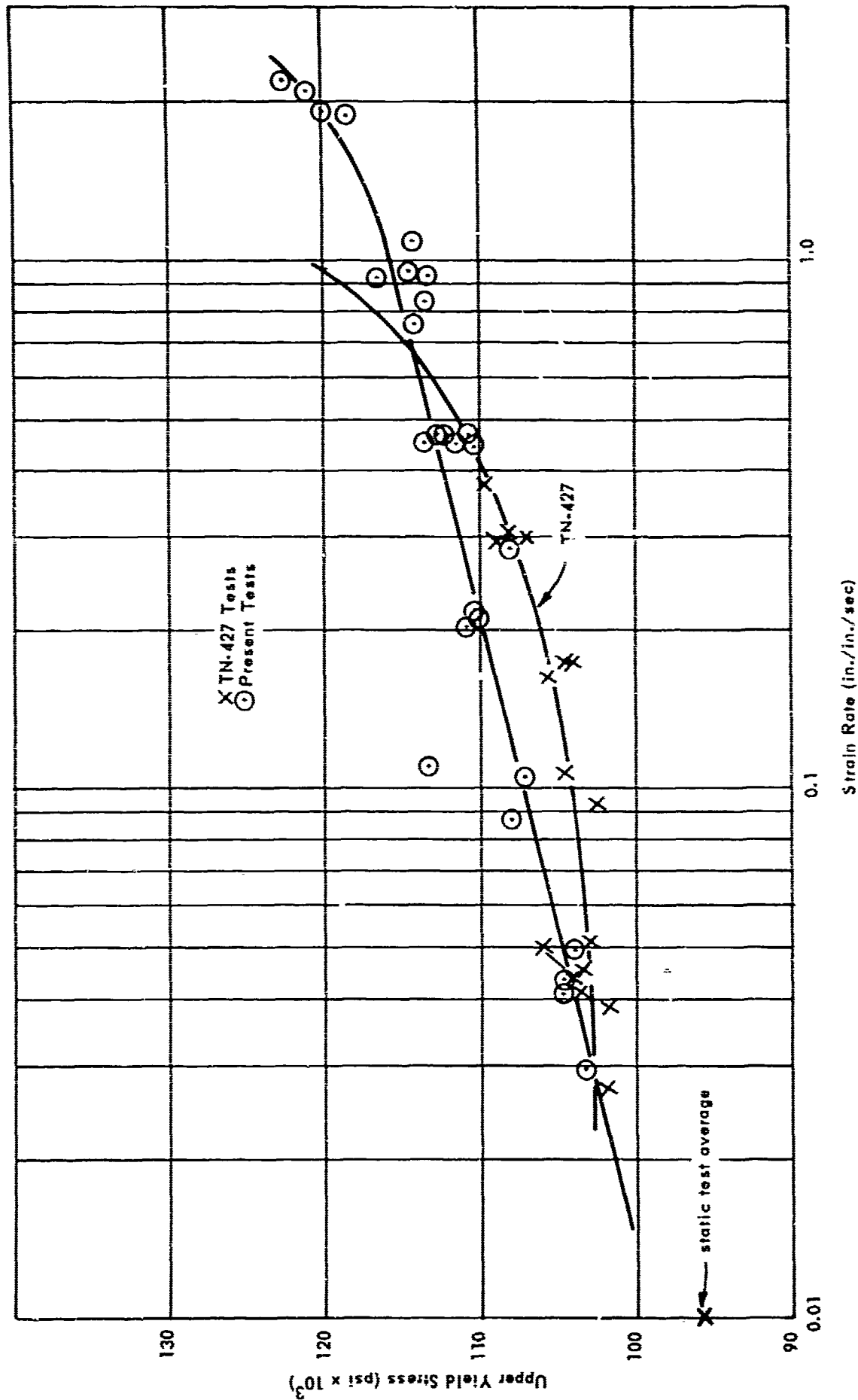


Figure 11. A comparison of present tests with the results in TN-427.

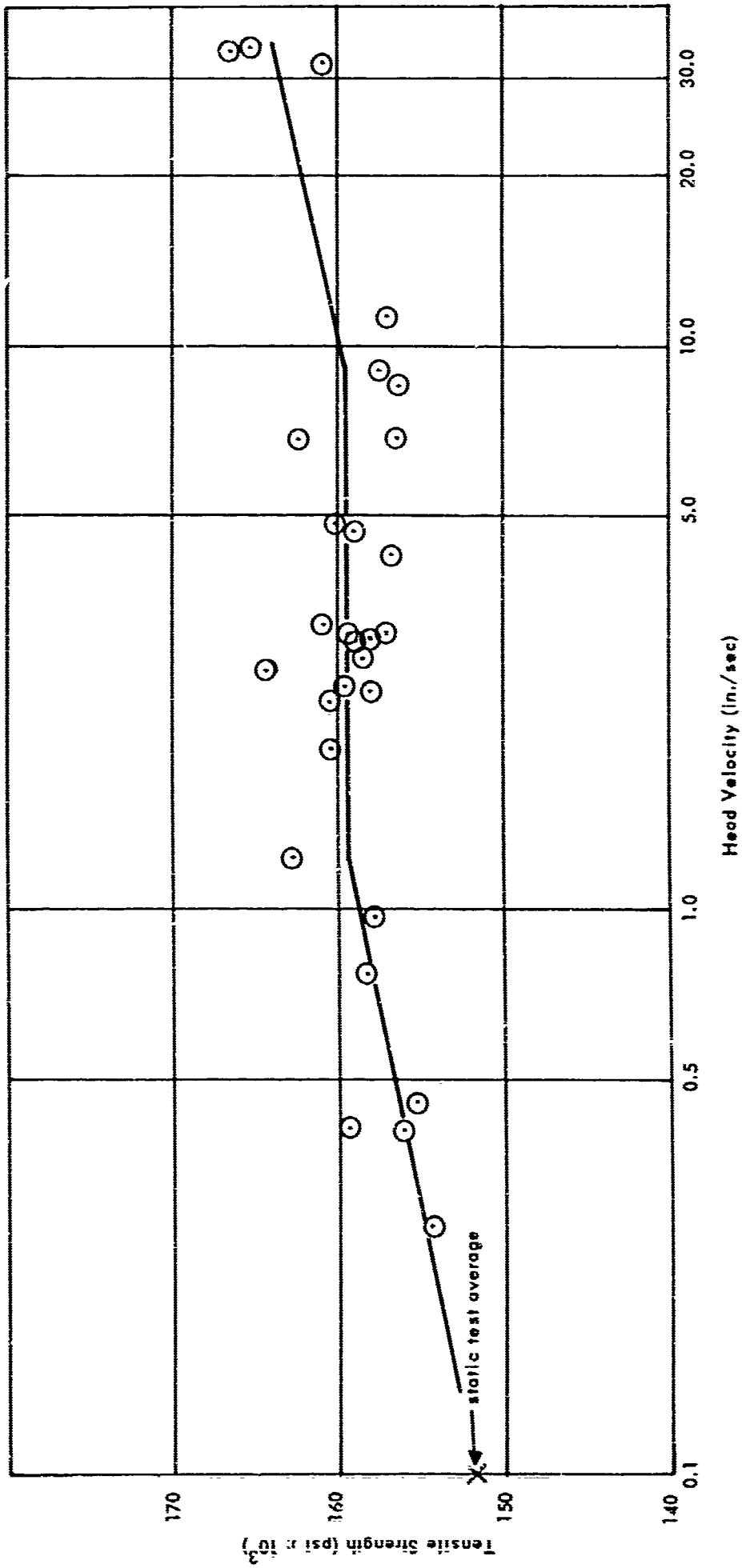


Figure 12. Machine head velocity vs tensile strength.

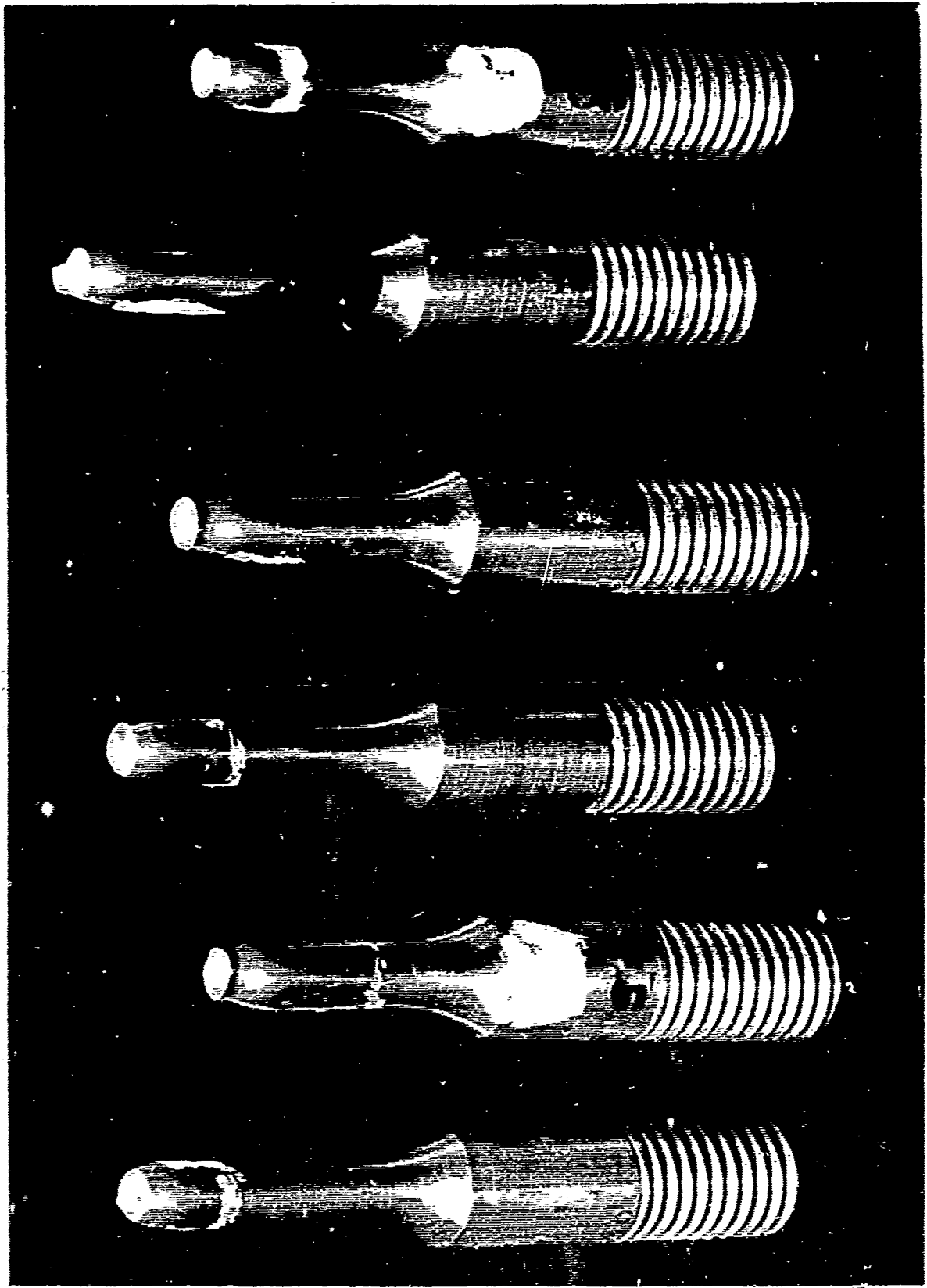


Figure 13. Tensile test specimens broken at high strain rates.

DISTRIBUTION LIST

| SNDL Code | No. of Activities | Total Copies | |
|-----------|-------------------|--------------|--|
| | 1 | 25 | Chief, Defense Atomic Support Agency, Washington, D. C. |
| | 1 | 10 | Chief, Bureau of Yards and Docks (Code 42) |
| A2A | 1 | 1 | Chief of Naval Research - Only |
| A3 | 2 | 2 | Chief of Naval Operation (OP-07, OP-04) |
| B3 | 2 | 2 | Colleges |
| E4 | 1 | 2 | Laboratory (ONR (Washington, D. C. only) |
| E5 | 1 | 1 | Research Office ONR (Pasadena only) |
| J60 | 1 | 1 | School Academy |
| J65 | 1 | 1 | School CEC Officers |
| WIC | 3 | 3 | Air Facility (Phoenix; Naha; and Naples only) |
| | 1 | 1 | Chief of Staff, U. S. Army, Chief of Research and Development, Department of the Army, Washington, D. C. |
| | 1 | 1 | Chief of Engineers, Department of the Army, Washington, D. C., Attn: Engineering Research and Development Division |
| | 1 | 1 | Director, U. S. Army Engineer Research and Development Laboratories, Fort Belvoir, Va., Attn: Information Resources Branch |
| | 1 | 3 | Headquarters, U. S. Air Force, Directorate of Civil Engineering, Washington, D. C., Attn: AFOCE-ES |
| | 1 | 1 | Deputy Chief of Staff, Development, Director of Research and Development, Department of the Air Force, Washington, D. C. |
| | 1 | 1 | Director, National Bureau of Standards, Department of Commerce, Connecticut Avenue, Washington, D. C. |
| | 1 | 20 | Defense Documentation Center, Building 5, Cameron Station, Alexandria, Va. |
| | 1 | 2 | Director of Defense Research and Engineering, Department of Defense, Washington, D. C. |
| | 1 | 1 | Federal Aviation Agency, Office of Management Services, Administrative Services Division, Washington, D. C., Attn: Library Branch |
| | 1 | 1 | Systems Engineering Group, Deputy for Systems Engineering, Directorate of Technical Publications and Specifications (SEPRR) Wright-Patterson AFB, Ohio |
| | 1 | 2 | Library of Congress, Washington, D. C. |
| | 1 | 30 | Director, Office of Technical Services, Department of Commerce, Washington, D. C. |

DISTRIBUTION LIST (Cont'd)

| No. of Activities | Total Copies | |
|-------------------|--------------|---|
| 1 | 1 | Commandant, U. S. Armed Forces Staff College, U. S. Naval Base, Norfolk, Va. |
| 1 | 1 | Chief, Bureau of Ships, Attn: Chief of Research and Development Division, Navy Department, Washington, D. C. |
| 1 | 1 | Officer in Charge, U. S. Navy Unit, Rensselaer Polytechnic Institute, Troy, N. Y. |
| 1 | 1 | Officer in Charge, U. S. Naval Supply Research and Development Facility, Naval Supply Center, Attn: Library, Bayonne, N. J. |
| 1 | 1 | Chief, Bureau of Naval Weapons, Attn: Research Division, Navy Department, Washington, D. C. |
| 1 | 1 | Commander, Pacific Missile Range, Attn: Technical Director, Point Mugu, Calif. |
| 1 | 1 | U. S. Naval Applied Science Laboratory, Technical Library, Building 291, Code 9832, Naval Base, Brooklyn, N. Y. |
| 1 | 1 | Office of Naval Research, Branch Office, Navy No. 100, Box 39, FPO. N. Y. |
| 1 | 1 | Chief, Concrete Division, Waterways Experiment Station, PO Drawer 2131, Jackson, Miss. |
| 1 | 1 | Sandia Corporation, Attn: Classified Document Division, Box 5800, Albuquerque, N. M. |
| 1 | 1 | Professor Phil M. Ferguson, University of Texas, Structural Mechanics Research Lab., Balcones Research Center, RFD 4, Box 189, Austin, Tex. |
| 1 | 1 | Professor J. Silverman, Department of Chemical Engineering, University of Maryland, College Park, Md. |
| 1 | 1 | Dr. F. T. Mavis, Dean, College of Engineering, University of Maryland, College Park, Md. |
| 1 | 1 | Dr. Raymond R. Fox, Associate Professor and Director, Protective Construction Courses, The George Washington University, Washington, D. C. |
| 1 | 1 | Professor M. L. P. Go, Civil Engineering Department, University of Hawaii, Honolulu, Hawaii |
| 1 | 1 | Dr. James P. Remualdi, Department of Civil Engineering, Carnegie Institute of Technology, Pittsburg, Pa. |
| 1 | 1 | Dr. Nicholas Perrone, Structural Mechanics Branch, Office of Naval Research, Department of the Navy, Washington, D. C. |
| 1 | 1 | Dr. Aleksandar Sedmak Vasić, Associate Professor, Georgia Institute of Technology, Atlanta, Georgia |
| 1 | 1 | Mr. C. C. Mow, The Rand Corporation, 1700 Main Street, Santa Monica, Calif. |

DISTRIBUTION LIST (Cont'd)

| No. of Activities | Total Copies | |
|-------------------|--------------|--|
| 1 | 2 | Commander Naval Beach Group Two, U. S. Naval Amphibious Base, Little Creek, Norfolk, Va. |
| 1 | 1 | Commander, Pacific Missile Range, Technical Documentation Section, P. O. Box 10, Point Mugu, Calif., Attn: Code 4332 |
| 1 | 2 | U. S. Army Engineer Research and Development Laboratories, Attn: ST:NFO Branch, Fort Belvoir, Va. |
| 1 | 1 | Director, U. S. Naval Ordnance Laboratory, White Oak, Silver Springs, Md. |
| 1 | 1 | Office of Naval Research, Branch Office, Navy No. 100, Box 39, FPO, New York |
| 1 | 1 | U. S. Naval Radiological Defense Laboratory, San Francisco |
| 1 | 1 | Officer in Charge, CECOS, Port Hueneme, Calif., Attn: ADCE Course |
| 1 | 1 | U. S. Air Force, Asst. Chief of Staff, Intelligence, Building B, AMS, Washington, D. C., Attn: Mr. Sargent White |
| 1 | 1 | Commander, Air Force Ballistic Missile Division, Air Research and Development Command, P. O. Box 262, Inglewood, Calif. |
| 1 | 1 | Directorate of Research, Air Force Weapons Laboratory, Kirtland Air Force Base, N. M. |
| 1 | 1 | Office of the Chief of Engineers, Department of the Army, T-7, Gravelly Point, Washington, D. C., Attn: ENGINE |
| 1 | 1 | Commanding Officer, Engineer Research and Development Laboratories, Fort Belvoir, Va. |
| 1 | 1 | Office of the Chief of Engineers, Department of the Army, T-7, Gravelly Point, Washington, D. C., Attn: ENG MC-EB |
| 1 | 1 | Director, U. S. Army Engineer Waterways Experiment Station, P. O. Box 631, Vicksburg, Miss., Attn: Mr. G. L. Arbuthnot, Jr. |
| 1 | 1 | U. S. Army Chemical Center, Nuclear Defense Laboratory, Edgewood, Md. |
| 1 | 1 | Director, Ballistic Research Laboratories, Aberdeen, Md. |
| 1 | 2 | Chief, Defense Atomic Support Agency, Washington, D. C. |
| 1 | 1 | Headquarters, Field Command, Defense Atomic Support Agency, Sandia Base, Albuquerque, N. M. |
| 1 | 1 | U. S. Atomic Energy Commission, Technical Information Service, P. O. Box 62, Oak Ridge, Tenn. |
| 1 | 1 | Director, Civil Effects Test Group, Atomic Energy Commission, Washington, D. C. |
| 1 | 1 | Formulation and Analysis Branch, Mathematics and Computation Laboratory, National Resources Evaluation Center, Office of Emergency Planning, Washington, D. C. |

DISTRIBUTION LIST (Cont'd)

| No. of Activities | Total Copies | |
|-------------------|--------------|---|
| 1 | 1 | Disaste Recovery Training Officer, Code 450, Construction Battalion Center, Davisville, R. I. |
| 1 | 1 | Mr. William J. Taylor, Terminal Ballistics Laboratory, Aberdeen Proving Ground, Md. |
| 1 | 1 | LCDR Charles W. Gulick, Jr., CEC, USN, Navy No. 926, FPO, San Francisco |
| 1 | 1 | CDR J. C. LeDoux, Office of Civil Defense, Department of Defense, Washington, D. C. |
| 1 | 1 | CAPT W. M. McLellon, CEC, USN, Ret., 468 1st Street, Albany, N. Y. |
| 1 | 1 | LT Edward S. Perry, U. S. Naval Reserve Officers Training Corps Unit, University of Illinois, Urbana, Ill. |
| 1 | 1 | CAPT L. N. Saunders, CEC, USN, Code C10, U. S. Naval Construction Battalion Center, Port Hueneme, Calif. |
| 1 | 1 | CDR E. M. Saunders, CEC, USN, Chief of Naval Materiel, Department of the Navy, Washington, D. C. |
| 1 | 1 | CDR H. E. Stephens, CEC, USN, Bureau of Yards and Docks, Code 41.101, Washington, D. C. |
| 1 | 1 | LCDR R. C. Vance, CEC, USN, Logistics Director, U. S. Naval Civil Engineering Laboratory, Port Hueneme, Calif. |
| 1 | 1 | CDR W. A. Walls, CEC, USN, Disaster Control Division, Bureau of Yards and Docks, Washington, D. C. |
| 1 | 1 | LT COL Charles D. Daniel, USA, Defense Atomic Support Agency, Washington, D. C. |
| 1 | 1 | Mr. L. Neal FitzSimons, Office of Civil Defense, Department of Defense, Washington, D. C. |
| 1 | 1 | Mr. Ben Taylor, Office of Civil Defense, Department of Defense, Washington, D. C. |
| 1 | 1 | Mr. Charles M. Eisenhauer, Radiation Physics Laboratory, National Bureau of Standards, Washington, D. C. |
| 1 | 1 | Mr. O. H. Hill, Building 12, Room 505, Radiation Physics Division, National Bureau of Standards, Washington, D. C. |
| 1 | 1 | CDR J. D. Andrews, CEC, USN, SHAPE Headquarters, APO 55, New York |
| 1 | 1 | CAPT W. J. Christensen, CEC, USN, U. S. Naval Civil Engineering Laboratory, Port Hueneme, Calif. |
| 1 | 1 | CDR J. F. Dabsco, CEC, USN, U. S. Naval School, CEC Officers, Port Hueneme, Calif. |
| 1 | 1 | LCDR O. L. Dixon, CEC, USN, U. S. Naval School, CEC Officers, Port Hueneme, Calif. |
| 1 | 1 | LCDR N. W. Clements, CEC, USN, Navy Nuclear Power Unit, Fort Belvoir, Va. |
| 1 | 1 | CDR C. Curione, CEC, USN, Resident Officer-In-Charge-Of-Construction, Long Beach Area, P. O. Box XX, Seal Beach, Calif. |

DISTRIBUTION LIST (Cont'd)

| No. of Activities | Total Copies | |
|----------------------|-----------------|--|
| 1 | 1 | LT L. K. Donovan, CEC, USN, U. S. Naval Communication Station, Navy No. 85, FPO, San Francisco |
| 1 | 1 | LT Walter J. Eager, Jr., CEC, USN, Naval Postgraduate School, Monterey, Calif. |
| 1 | 1 | LTJG Clinton W. Kelly, III, CEC, USN, Bureau of Yards and Docks, Program Officer, U. S. Naval Radiological Defense Laboratory, San Francisco |
| 1 | 1 | CDR W. J. Francy, CEC, USN, Bureau of Yards and Docks, Director, Southeast Division, U. S. Naval Base, Charleston, S. C. |
| 1 | 1 | CDR C. F. Krickenberger, CEC, USN, Bureau of Yards and Docks, Code 50.200, Washington, D. C. |
| 1 | 1 | Dr. Lauriston S. Taylor, Chief, Radiation Physics Division, National Bureau of Standards, Washington, D. C. |
| 1 | 1 | Dr. James O. Buchanan, Research Directorate, Office of Civil Defense, Washington, D. C. |
| 1 | 1 | LT S. H. Mathes, CEC, USN, U. S. Naval Construction Battalion Center, Port Hueneme, Calif. |
| 1 | 1 | Mr. Jack C. Greene, Office of Civil Defense, Department of Defense, Washington, D. C. |
| 1 | 1 | Dr. Harold A. Knapp, Fallout Studies Branch, Division of Biology and Medicine, U. S. Atomic Energy Commission, Washington, D. C. |
| 1 | 1 | Dr. Karl Z. Morgan, Director, Health Physics Division, Oak Ridge National Laboratory, Oak Ridge, Tenn. |
| 1 | 1 | Dr. Joseph D. Coker, National Resource Evaluation Center, Executive Office Building, Washington, D. C. |
| 1 | 1 | Dr. Charles F. Ksanda, Military Evaluation Division, U. S. Naval Radiological Defense Laboratory, San Francisco |
| 1 | 1 | Mr. John Auxier, Oak Ridge National Laboratory, Oak Ridge, Tenn. |
| 1 | 1 | Dr. William Kreger, Naval Radiological Defense Laboratory, San Francisco |
| 1 | 1 | Dr. Hans Tiller, Nuclear Defense Laboratory, Army Chemical Center, Md. |
| 1 | 1 | Mr. Irving Gaskill, National Resource Evaluation Center, Executive Office Building, Washington, D. C. |
| 1 | 1 | Mr. George Sisson, Office of Civil Defense, Department of Defense, Washington, D. C. |
| 1 | 1 | Mr. James C. Pettee, National Resource Evaluation Center, Executive Office Building, Washington, D. C. |
| 1 | 1 | LTCOL Russell J. Hutchinson, 052921, Office of the Engineer, Camp Walters, Mineral Wells, Tex. |
| 1 | 1 | LCDR I. D. Crowley, CEC, USN, Blast and Shock Division, Defense Atomic Support Agency, Washington, D. C. |
| 1 | 1 | CDR H. L. Murphy, Room 211, Federal Office Building, San Francisco |

DISTRIBUTION LIST (Cont'd)

| No of Activities | Total Copies | |
|---------------------|-----------------|---|
| 1 | 1 | LCDR W. H. Bannister, CEC, USN, Field Command, Defense Atomic Support Agency, Sandia Base, Albuquerque, N. M. |
| 1 | 1 | Major Robert Crawford, USAF, Air Force Weapons Laboratory, Kirtland Air Force Base, Albuquerque, N. M. |
| 1 | 1 | Dr. John Balloch, Director, Operations Analysis, 26th Air Division, SAGE, Hancock Field, Syracuse, N. Y. |
| 1 | 1 | Mr. J. F. Tamanini, A & E Development Division, Office of Civil Defense, Department of Defense, Washington, D. C. |
| 1 | 1 | LCDR C. R. Whipple, CEC, USN, U. S. Naval Ordnance Laboratory, White Oak, Md. |
| 1 | 1 | Dr. W. E. Fisher, Air Force Weapons Laboratory, Kirtland Air Force Base, Albuquerque, N. M. |
| 1 | 1 | Mr. Everitt P. Blizzard, Director, Neutron Physics, Oak Ridge National Laboratory, P. O. Box X, Oak Ridge, Tenn. |
| 1 | 1 | LT M. MacDonald, CEC, USN, U. S. Naval School, CEC Officers, Port Hueneme, Calif. |
| 1 | 1 | Library, Engineering Department, University of California, 405 Hilgard Avenue, Los Angeles |
| 1 | 1 | Sandia Corporation, Box 5800, Albuquerque, N. M. |
| 1 | 1 | Rivers and Harbor Library, Princeton University, Princeton, N. J. |
| 1 | 1 | Head, Civil Engineering Department, Carnegie Institute of Technology, Schenley Park, Pittsburgh, Pa. |
| 1 | 1 | Mr. G. H. Albright, Head, Department of Architectural Engineering, 101 Engineering "A" Bldg., The Pennsylvania State University, University Park, Pa. |
| 1 | 1 | Dr. A. F. Dill, Civil Engineering Hall, University of Illinois, Urbana, Ill. |
| 1 | 1 | Dr. N. M. Newmark, Civil Engineering Hall, University of Illinois, Urbana, Ill. |
| 1 | 1 | Professor J. Neils Thompson, Civil Engineering Department, University of Texas, Austin, Tex. |
| 1 | 1 | Mr. Fred Sauer, Physics Department, Stanford Research Institute, Menlo Park, Calif. |
| 1 | 1 | Dr. T. H. Schiffman, Armour Research Foundation of Illinois, Institute of Technology, Technology Center, Chicago, Ill. |
| 1 | 1 | Dr. Robert V. Whitman, Massachusetts Institute of Technology, Cambridge, Mass. |
| 1 | 1 | Dr. Lewis V. Spencer, Ottawa University, Physics Department, Ottawa, Kan. |
| 1 | 1 | Mr. E. E. Shalowitz, Protective Construction, GSA Building, 19th and F Streets, N. W., Washington, D. C. |

DISTRIBUTION LIST (Cont'd)

| No. of Activities | Total Copies | |
|-------------------|--------------|--|
| 1 | 1 | Mr. Werner Weber, Nuclear Engineering Consultant, N. Y. State Civil Defense Commission, P. O. Box 7007, State Office Building, Albany, N. Y. |
| 1 | 1 | Dr. Harold Brode, The Rand Corporation, 1700 Main Street, Santa Monica, Calif. |
| 1 | 1 | Mr. R. D. Cavanaugh, Barry Controls, Inc., 700 Pleasant Street, Watertown, Mass. |
| 1 | 1 | Mr. Kenneth Kaplan, Broadview Research Corporation, 1811 Trousdale Drive, Burlingame, Calif. |
| 1 | 1 | Mr. Thomas Morrison, American Machine and Foundry Company, 7501 North Natchez Avenue, Niles, Ill. |
| 1 | 1 | Mr. Walter Gunther, The Mitre Corporation, P. O. Box 208, Lexington, Mass. |
| 1 | 1 | Mr. W. R. Perret - 5112, Applied Experiments Division, Sandia Corporation, Albuquerque, N. M. |
| 1 | 1 | Mr. Lyndon Welch, Eberle M. Smith Associates, Inc., 153 East Elizabeth Street, Detroit, Mich. |
| 1 | 1 | Professor Herbert M. Bosch, Public Health Engineering, School of Public Health, University of Minnesota, Minneapolis, Minn. |
| 1 | 1 | Dr. Merit P. White, Civil Engineering Department, School of Engineering, University of Massachusetts, Amherst, Mass. |
| 1 | 1 | Dr. Robert J. Hansen, Department of Civil & Sanitary Engineering, Massachusetts Institute of Technology, Cambridge, Mass. |
| 1 | 1 | Mr. Harold Horowitz, Building Research Institute, National Academy of Sciences, 2101 Constitution Avenue, N. W., Washington, D. C. |
| 1 | 1 | Mr. Luke Vortman - 5112, Applied Experiments Division, Sandia Corporation, Albuquerque, N. M. |
| 1 | 1 | Mr. Richard Park, National Academy of Sciences, 2101 Constitution Avenue, N. W., Washington, D. C. |
| 1 | 1 | Mr. Frederick A. Pawley, AIA Research Secretary, American Institute of Architects, 1735 New York Avenue, N. W., Washington, D. C. |
| 1 | 1 | Dr. E. E. Massey, Defense Research Board, Department of National Defense, Ottawa, Canada |
| 1 | 1 | Dr. Robert Rapp, The Rand Corporation, 1700 Main Street, Santa Monica, Calif. |
| 1 | 1 | Dr. Stephen B. Withey, Program Director, Survey Research Center, University of Michigan, Ann Arbor, Mich. |
| 1 | 1 | Dr. Eric T. Clarke, Technical Operations, Inc., Burlington, Mass. |
| 1 | 1 | Dr. A. B. Chilton, Civil Engineering Hall, University of Illinois, Urbana, Ill. |
| 1 | 1 | Mrs. Shea Volley, CRTZ 5, A. F. Cambridge Research Center, L. G. Hanscom Field, Bedford, Mass. |
| 1 | 1 | Dr. J. T. Hanley, Department of Civil Engineering, University of Minnesota, Minneapolis, Minn. |

Unclassified
Security Classification

DOCUMENT CONTROL DATA - R&D

(Security classification of title, body of abstract and indexing annotation must be entered when the overall report is classified)

| | | | |
|---|--|---|----------------------|
| 1. ORIGINATING ACTIVITY (Corporate author) U. S. Naval Civil Engineering Laboratory Port Hueneme, California | | 2a. REPORT SECURITY CLASSIFICATION Unclassified | |
| | | 2b. GROUP | |
| 3. REPORT TITLE NCEL Dynamic Testing Machine | | | |
| 4. DESCRIPTIVE NOTES (Type of report and inclusive dates) Task Progress Jan 1961 — Dec 1963 | | | |
| 5. AUTHOR(S) (Last name, first name, initial) Cowell, W. L. | | | |
| 6. REPORT DATE 30 October 1964 | | 7a. TOTAL NO. OF PAGES 28 | 7b. NO. OF REFS 1 |
| 8a. CONTRACT OR GRANT NO. DASA-13.062 | | 9a. ORIGINATOR'S REPORT NUMBER(S) TR-331 | |
| b. PROJECT NO. Y-F008-08-03-401 | | 9b. OTHER REPORT NO(S) (Any other numbers that may be assigned this report) | |
| c. | | | |
| d. | | | |
| 10. AVAILABILITY/LIMITATION NOTICES Copies available at OTS \$0.75. Qualified requesters may obtain copies of this report from DDC. | | | |
| 11. SUPPLEMENTARY NOTES | | 12. SPONSORING MILITARY ACTIVITY BuDocks — DASA | |
| 13. ABSTRACT <p>This report describes the dynamic testing machine at NCEL and gives the results of dynamic tests conducted on a chrome-alloy steel. These results are compared with results obtained by other high-speed testing machines.</p> | | | |

| 14. KEY WORDS | LINK A | | LINK B | | LINK C | |
|----------------------|--------|----|--------|----|--------|----|
| | ROLE | WT | ROLE | WT | ROLE | WT |
| Testing Machines | 8 | | | | | |
| Dynamic | 0 | | | | | |
| Dynamic Tests | | | 8 | 3 | | |
| Tensile Strength | | | 8 | | | |
| Ductility | | | 8 | | | |
| Yield Strength | | | 8 | | | |
| Failure | | | 8 | | | |
| Chromium Alloys | | | 9 | | | |
| Reinforcing Steel | | | 9 | | | |
| High-Strength Steels | | | 9 | | | |

INSTRUCTIONS

1. **ORIGINATING ACTIVITY:** Enter the name and address of the contractor, subcontractor, grantee, Department of Defense activity or other organization (*corporate author*) issuing the report.

2a. **REPORT SECURITY CLASSIFICATION:** Enter the overall security classification of the report. Indicate whether "Restricted Data" is included. Marking is to be in accordance with appropriate security regulations.

2b. **GROUP:** Automatic downgrading is specified in DoD Directive 5200.10 and Armed Forces Industrial Manual. Enter the group number. Also, when applicable, show that optional markings have been used for Group 3 and Group 4 as authorized.

3. **REPORT TITLE:** Enter the complete report title in all capital letters. Titles in all cases should be unclassified. If a meaningful title cannot be selected without classification, show title classification in all capitals in parenthesis immediately following the title.

4. **DESCRIPTIVE NOTES:** If appropriate, enter the type of report, e.g., interim, progress, summary, annual, or final. Give the inclusive dates when a specific reporting period is covered.

5. **AUTHOR(S):** Enter the name(s) of author(s) as shown on or in the report. Enter last name, first name, middle initial. If military, show rank and branch of service. The name of the principal author is an absolute minimum requirement.

6. **REPORT DATE:** Enter the date of the report as day, month, year, or month, year. If more than one date appears on the report, use date of publication.

7a. **TOTAL NUMBER OF PAGES:** The total page count should follow normal pagination procedures, i.e., enter the number of pages containing information.

7b. **NUMBER OF REFERENCES:** Enter the total number of references cited in the report.

8a. **CONTRACT OR GRANT NUMBER:** If appropriate, enter the applicable number of the contract or grant under which the report was written.

8b, 8c, & 8d. **PROJECT NUMBER:** Enter the appropriate military department identification, such as project number, subproject number, system numbers, task number, etc.

9a. **ORIGINATOR'S REPORT NUMBER(S):** Enter the official report number by which the document will be identified and controlled by the originating activity. This number must be unique to this report.

9b. **OTHER REPORT NUMBER(S):** If the report has been assigned any other report numbers (either by the originator or by the sponsor), also enter this number(s).

10. **AVAILABILITY/LIMITATION NOTICES:** Enter any limitations on further dissemination of the report, other than those

imposed by security classification, using standard statements such as:

- (1) "Qualified requesters may obtain copies of this report from DDC."
- (2) "Foreign announcement and dissemination of this report by DDC is not authorized."
- (3) "U. S. Government agencies may obtain copies of this report directly from DDC. Other qualified DDC users shall request through _____."
- (4) "U. S. military agencies may obtain copies of this report directly from DDC. Other qualified users shall request through _____."
- (5) "All distribution of this report is controlled. Qualified DDC users shall request through _____."

If the report has been furnished to the Office of Technical Services, Department of Commerce, for sale to the public, indicate this fact and enter the price, if known.

11. **SUPPLEMENTARY NOTES:** Use for additional explanatory notes.

12. **SPONSORING MILITARY ACTIVITY:** Enter the name of the departmental project office or laboratory sponsoring (*paying for*) the research and development. Include address.

13. **ABSTRACT:** Enter an abstract giving a brief and factual summary of the document indicative of the report, even though it may also appear elsewhere in the body of the technical report. If additional space is required, a continuation sheet shall be attached.

It is highly desirable that the abstract of classified reports be unclassified. Each paragraph of the abstract shall end with an indication of the military security classification of the information in the paragraph, represented as (TS), (S), (C) or (U).

There is no limitation on the length of the abstract. However, the suggested length is from 150 to 225 words.

14. **KEY WORDS:** Key words are technically meaningful terms or short phrases that characterize a report and may be used as index entries for cataloging the report. Key words must be selected so that no security classification is required. Identifiers, such as equipment model designation, trade name, military project code name, geographic location, may be used as key words but will be followed by an indication of technical context. The assignment of links, roles, and weights is optional.