

**UNCLASSIFIED**

---

---

**AD 296 009**

---

*Reproduced  
by the*

**ARMED SERVICES TECHNICAL INFORMATION AGENCY  
ARLINGTON HALL STATION  
ARLINGTON 12, VIRGINIA**



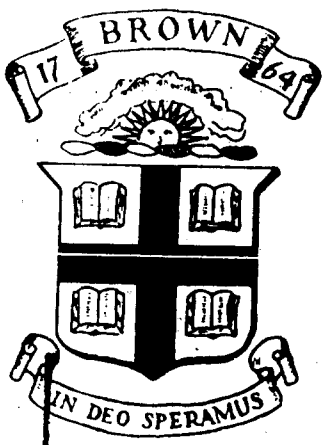
---

---

**UNCLASSIFIED**

NOTICE: When government or other drawings, specifications or other data are used for any purpose other than in connection with a definitely related government procurement operation, the U. S. Government thereby incurs no responsibility, nor any obligation whatsoever; and the fact that the Government may have formulated, furnished, or in any way supplied the said drawings, specifications, or other data is not to be regarded by implication or otherwise as in any manner licensing the holder or any other person or corporation, or conveying any rights or permission to manufacture, use or sell any patented invention that may in any way be related thereto.

CATALOGED BY ASTIA 296009  
AS AD NO.



03-2-4

*Division of Engineering*  
**BROWN UNIVERSITY**  
**PROVIDENCE, R. I.**

**METHOD FOR MEASURING SONIC DISLOCATION VELOCITIES**  
**BY**  
**J. A. CARLSSON and J. J. GILMAN**

ASTIA  
RECEIVED  
FEB 11 1963  
ASTIA

*Department of the Navy*  
*Office of Naval Research*  
*Contract Nour 562(32)*  
*Technical Report No. 4*

*Nour-562(32) / 4*

*December 1962*

## Method for Measuring Sonic Dislocation Velocities

J. A. Carlsson\*, J. J. Gilman  
Division of Engineering  
Brown University  
Providence, Rhode Island

### INTRODUCTION

Knowledge of the velocities with which dislocations in crystalline materials move is valuable in many branches of the science of solids. Experimental data of this kind makes it possible to express macroscopic strain-rates in terms of individual dislocation motions and dislocation multiplication rates, thus forming a bridge between microscopic and macroscopic phenomena. A specific problem whose solution depends on this type of information is that of fracture in semi-brittle materials where dislocations move near a crack tip at a variety of velocities up to sonic ones.

The purpose of the present paper is to present a new technique for applying dynamic stresses to elastic-plastic specimens. Outstanding features of the method are its simplicity and the well defined state of stress that it produces. Intensity of the stress and the stress-rate can be varied over a larger range than most other methods allow. Although the method was developed for studying high-speed dislocation motions in crystals, it can readily be adapted to studies of macroscopic plastic flow.

---

\*Now at Royal Institute of Technology, Stockholm, Sweden

## METHOD OF LOADING

The method is intended to be used with specimens in the form of bars or parts of systems of bars (e.g., a penny-shaped piece clamped between two bars of equal length). Dynamic stresses are produced by simultaneously setting off explosive charges at both ends of a bar. The elastic stress pulses produced by the two explosions meet at the center of the bar and reinforce each other. This doubles the stresses in a region equal to the pulse length. Precise reinforcement at a given location along a bar (say, at the penny shaped specimen mentioned above) requires simultaneity of the detonations within one-tenth microsecond.

### Ignition technique

In order to achieve the above simultaneity requirement, fine exploding wires were used to trigger the detonations. In this way, a small part of the explosive material could be brought up to its ignition temperature within a small fraction of a microsecond. The wires were in contact with the explosives and were connected in parallel (Figure 1). They were exploded by discharging a capacitor into them through a spark-gap. This gap was ionized by means of a thyatron in order to obtain a fast discharge and closely control the time at which the detonations occurred.

The physics of the explosion of wires is essentially understood [1]. What happens is that application of the voltage to the wire causes a large current to flow which quickly melts the wire, and continued heating vaporizes it into a gas at high pressure. During these

events the resistance increases until the current is completely suppressed (Figure 2-Point A). As the vapor expands, the pressure decreases below the breakdown value for the remaining voltage. Reignition occurs (Figure 2-Point B) and the capacitor discharges rapidly through the ionized gas. The period A-B is usually called the current dwell, and lasts 2-5  $\mu$ sec. for metals like copper and Nichrome (Fig. 2a). However, there is no current dwell at all for tungsten (Fig. 2b), evidently because the vaporization temperature is close to the ionization temperature.

The three types of wires just mentioned were investigated as possible ignitors for explosives. Copper and Nichrome gave a delay between the two ignitions of up to several microseconds. For tungsten the ignitions occurred simultaneously within the accuracy of the method used for determination of the delay time; i.e., within  $\frac{1}{50}$   $\mu$ sec.

The simultaneity of two ignitions was determined by filling a small hole in a Teflon rod with an explosive and causing ignition at both ends of the rod. The resulting deformation pattern inside the hole showed very accurately where the two shock waves from the ends met. From this, and the detonation velocity, the delay time between the two ignitions could be determined.

For the plastic deformation studies, tungsten wires 1 mil ( $\sim 0.025$  mm) in diameter were used at a voltage of 2000V. The two ignition wires were coupled in parallel. Attempts to put them in series were not successful because the first ignition usually blows

away the conducting plasma, and thereby opens the circuit before enough energy has been discharged to ignite the second explosive.

#### Explosive

The explosive material was lead azide ( $\text{PbN}_6$ ) in the form of fine powder. It has an ignition temperature of  $380^\circ\text{C}$ , which is readily and very quickly reached by the exploding wire. The normal ignition temperature may even not be significant in this case, since the evidence above suggests that explosion of the wire may be required for ignition. The smallest explosives used weighed 2 mg. and gave an impulse of  $\sim 1 \times 10^{-3}$  kg-m/sec. when used on a bar of steel with a cross-section of 0.2 cm x 0.25 cm.

Strains were measured with short (0.3 cm) semiconductor strain-gages glued to the specimen with Hysol Epoxy cement. The lengths of the stress pulses 4-5 cm from the explosives were usually 0.3-0.4 cm for a bar with the cross section given above.

Fig. 3b shows the result of a strain measurement. The strain-gage was 0.3 cm long and oriented to measure the longitudinal strain. Fig. 3a shows the expected output from the gage for a square pulse of 0.5 cm length and with the same impulse as the actual pulse in Fig. 3b. Thus the observed pulse is quite consistent with expectations. Figure 3 also shows a reflected pulse which has become more distorted than the primary pulse.

#### STUDIES OF DISLOCATION MOTION

The method has been applied to studies of dislocation motion in crystals of lithium fluoride. The crystals were annealed so that the

majority of the dislocations were locked. A fine longitudinal scratch was made along one side of each crystal. Immediately thereafter the crystal was stressed explosively as described above. Then the crystal was etched to reveal dislocation positions.

Dislocation motion caused by reinforcement of the two pulses at the middle of the crystalline rod is shown in Figs. 4 and 5. At higher stresses defects in the crystals acted as stress raisers and glide bands were nucleated at places other than at the scratch as seen in Fig. 5.

The observed behavior illustrates quite well the special characteristic of plastic deformation upon which the success of the method depends. This is that dislocation velocities increase exponentially with applied stress [2]. Therefore, doubling the stress increases the velocity by a factor of  $10^4$  in a certain range. Stress magnitudes were varied in these experiments in the following ways:

1) By varying the amount of the explosive. However, amounts smaller than the 2 mg. mentioned above are difficult to prepare and ignite.

2) By varying the cross-sectional size of the specimen.

3) By putting a bar of variable length between the crystal and explosive\*.

---

\*This also changes the loading rate, which is a disadvantage unless the intention is to study the effect of different loading rates.



In the case of brittle crystals, short ductile bars must be glued to the ends of the crystals to prevent shattering of the ends by the detonations.

In order to measure dislocation or plastic wave fronts of the highest possible velocities, it is necessary to use the shortest possible stress pulses. Since the minimum pulse length is limited in bars by dispersion caused by the lateral inertia, this means that thin bars must be used. This becomes feasible with the method described here, and dislocation velocities as high as the dilational wave velocity can be measured, as may be seen in Figure 5.

#### CONCLUSIONS

The present method has some distinct advantages over other comparable methods used for studying dynamic plastic flow.

In studies of dislocation motion in mono-crystals the method gives a deformation pattern distinct enough to be seen even in crystals of relatively high dislocation density. This is valuable since high quality crystals sometimes cannot be obtained.

In studies of dynamic plasticity, specimens have usually been stressed with one pulse whose magnitude is above the yield stress. This gives a large amount of deformation at the point of loading where the stress state is complex and stress measurements are difficult. The present method allows one to obtain a high stress at any desired point along the length of a bar. The stresses are obtained by addition of

well-defined elastic pulses and thus are simple to analyze. The state of stress is uniaxial in the region of reinforcement, and although only compressive loading is described here, the method can be adapted for producing tensile loads.

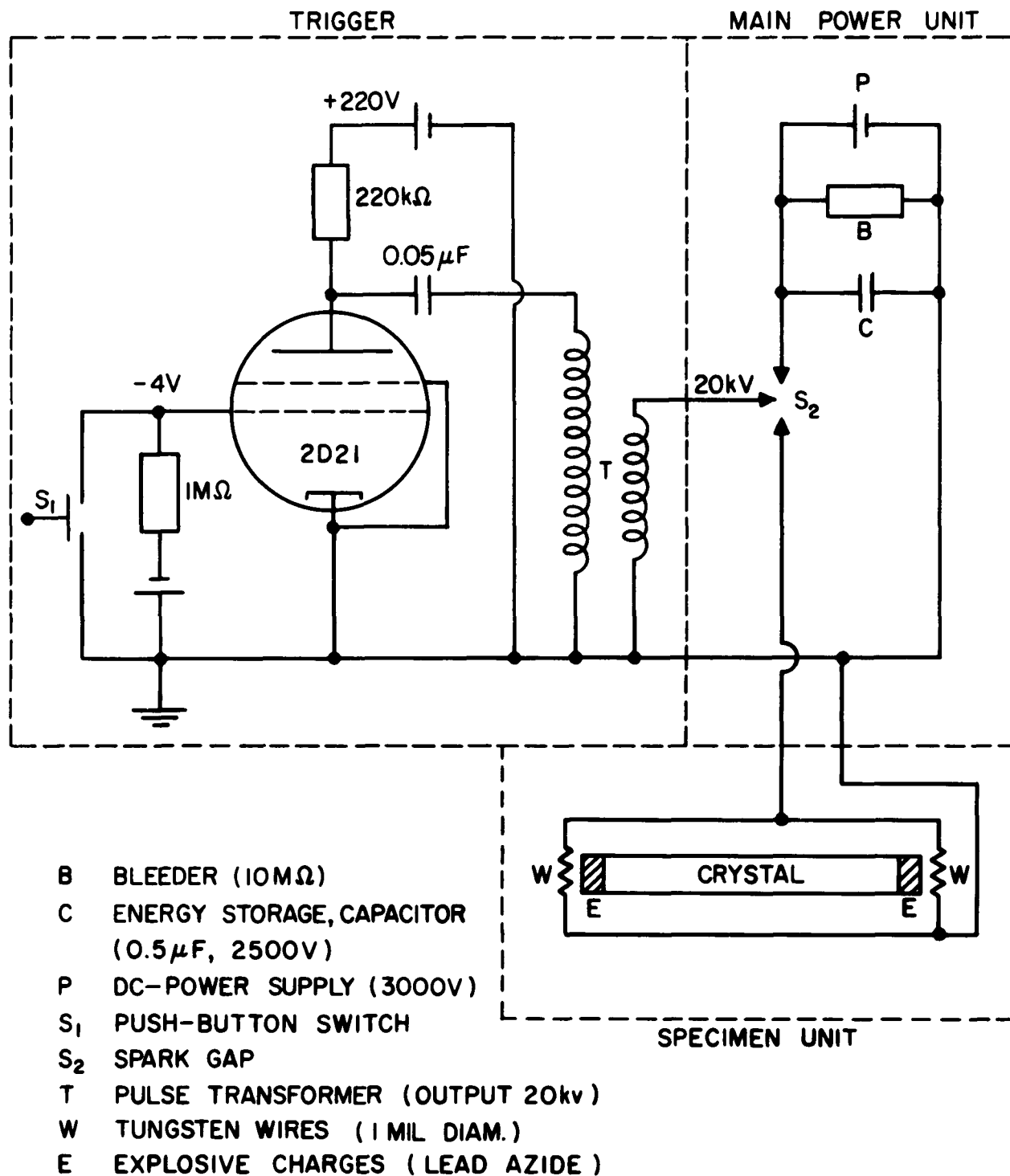
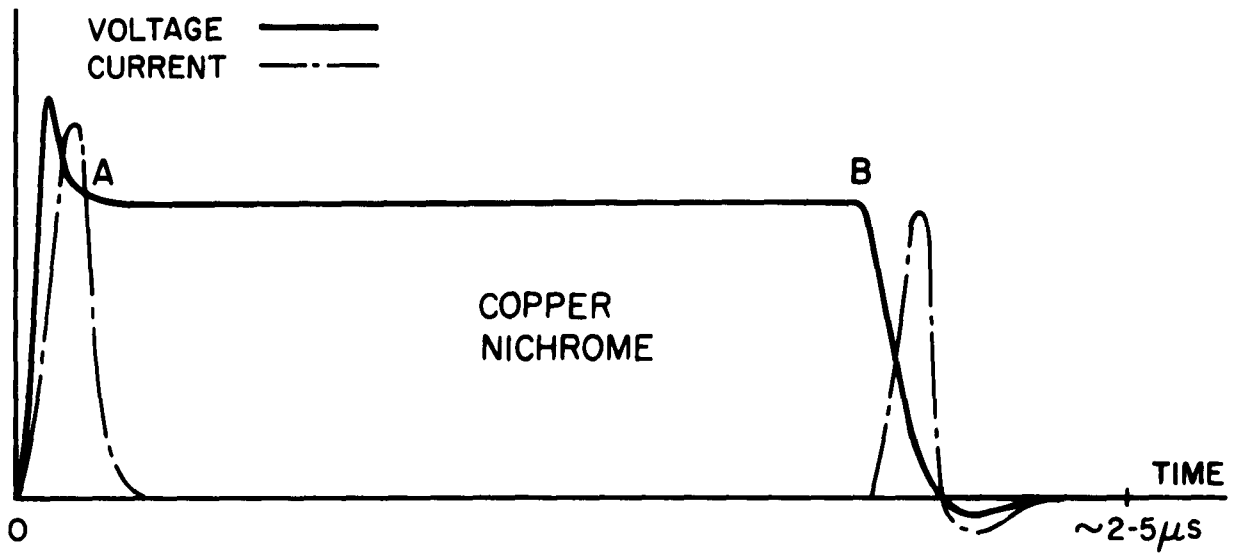
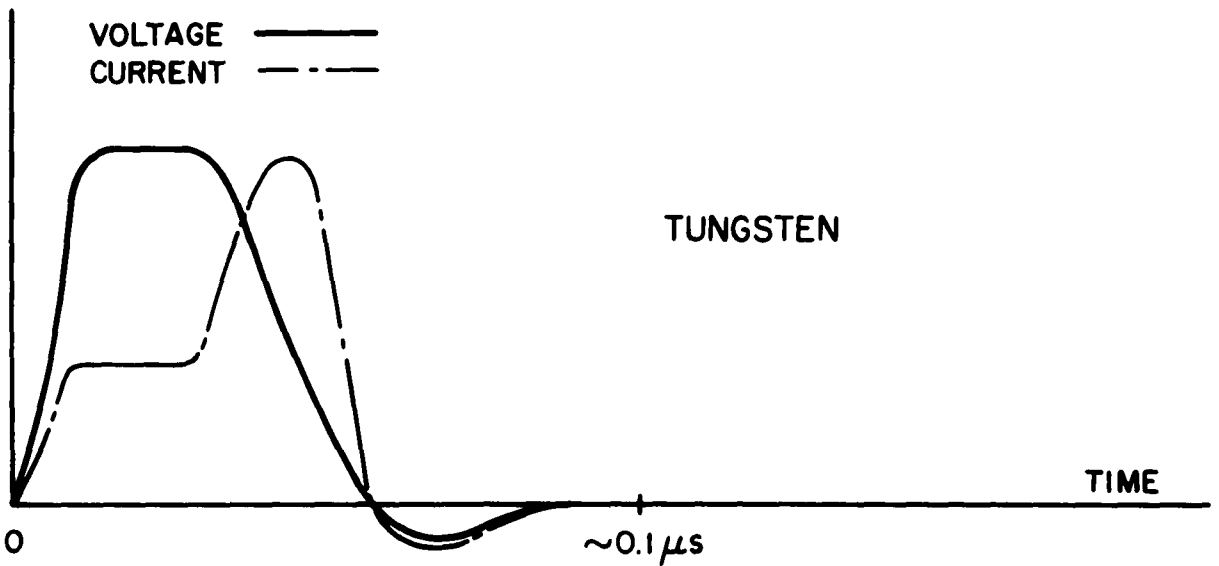


FIG.1 CIRCUIT USED FOR SIMULTANEOUS EXPLOSION OF TWO WIRES

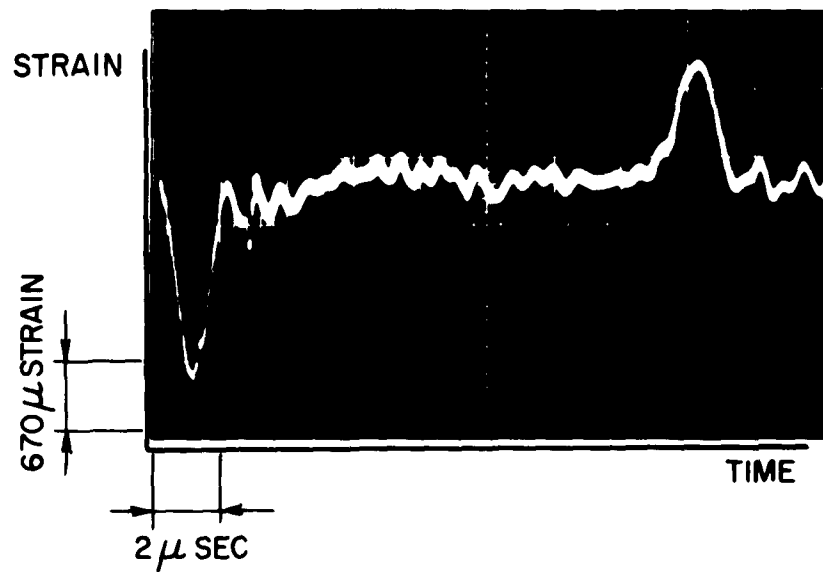


a

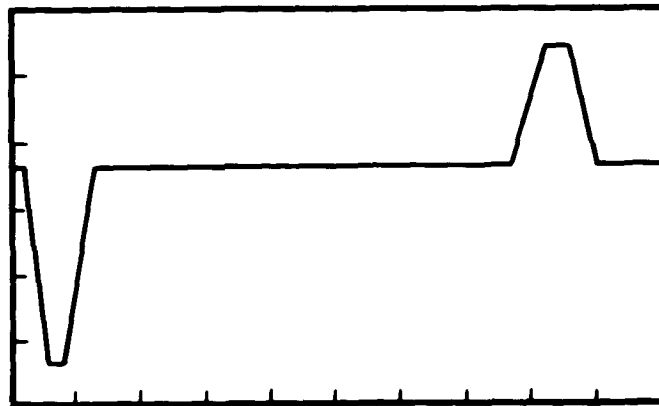


b

FIG. 2 SCHEMATIC CHARACTERISTICS OF EXPLODING WIRES  
( $\frac{1}{3}$  - 2 MIL., 1000 - 2500 VOLTS)



a



b

FIG. 3 (a) RESULT OF STRAIN MEASUREMENT ON STEEL SPECIMEN OF 0.2 cm. x 0.25cm. CROSS SECTION. STRAIN GAGE 0.3cm. LONG. MOUNTED LONGITUDINALLY.  
 (b) EXPECTED OUTPUT FOR SQUARE PULSE OF 0.5cm. LENGTH



FIG. 4. REGION IN THE MIDDLE OF A SPECIMEN WHERE THE STRESS PULSES REINFORCED EACH OTHER CAUSING LOCAL DISLOCATION MOTION.



FIG. 5. WHOLE SPECIMEN AFTER LOADING AND ETCHING. STRENGTH OF PULSE HIGHER THAN IN FIG. 4. MAIN DEFORMATION AT CENTER PLUS TWO SATELLITES CAUSED BY INTERACTIONS BETWEEN EACH PRIMARY PULSE AND THE SLOWER SECONDARY PULSE FOLLOWING THE CONJUGATE PRIMARY PULSE.

#### REFERENCES

1. W. G. Chase, H. K. Moore, Exploding Wires, Conference on the Exploding Wire Phenomenon, Plenum Press, Inc., New York (1959).
2. Johnston, W. G. and Gilman, J. J., Dislocation Velocities, Dislocation Densities and Plastic Flow in LiF Crystals, J. Appl. Phys., 30, 129 (1959).



BASIC DISTRIBUTION LIST

Technical and Summary Reports

<u>Organization</u>	<u>No. of Copies</u>	<u>Organization</u>	<u>No. of Copies</u>
Chief of Naval Research Department of the Navy Washington 25, D. C. Attention: Code 423	(2)	Director U.S. Naval Research Laboratory Washington 25, D. C. Attention: Technical Information Officer, Code 2000	(6)
Commanding Officer Office of Naval Research Branch Office 346 Broadway New York 13, New York	(1)	: Code 2020	(1)
Commanding Officer Office of Naval Research Branch Office 495 Summer Street Boston 10, Massachusetts	(1)	: Code 6200	(1)
Commanding Officer Office of Naval Research Branch Office 86 E. Randolph Street Chicago 1, Illinois	(1)	: Code 6300	(2)
Commanding Officer Office of Naval Research Branch Office 1030 E. Green Street Pasadena 1, California	(1)	: Code 6100	(1)
Commanding Officer Office of Naval Research Branch Office 1000 Geary Street San Francisco 9, California	(1)	Chief, Bureau of Naval Weapons Department of the Navy Washington 25, D. C. Attention: Code RRMA	(1)
Assistant Naval Attache for Research Office of Naval Research Branch Office, London Navy 100, Box 39 F.P.O., N.Y., N.Y.	(5)	: Code RREN-6	(1)
		Commanding Officer U.S. Naval Air Material Center Philadelphia, Pennsylvania Attention: Aeronautical Materials Laboratory	(1)
		Superintendent U.S. Naval Weapons Factory Washington 25, D. C. Attention: Code 720	(1)
		Attention: Library U.S. Naval Ordnance Laboratory White Oaks, Maryland	(1)
		Commanding Officer U.S. Naval Proving Ground Dahlgren, Virginia Attention: Laboratory Division	(1)
		Chief, Bureau of Ships Department of the Navy Washington 25, D. C. Attention: Code 315	(1)
		Code 330	(1)
		Code 335	(1)
		Code 337L	(1)
		Code 341	(1)
		Code 343	(1)
		Code 350	(1)
		Code 634	(1)

BASIC DISTRIBUTION LIST (Continued)

<u>Organization</u>	<u>No. of Copies</u>	<u>Organization</u>	<u>No. of Copies</u>
Commanding Officer U.S. Naval Engineering Experiment Station Annapolis, Maryland Attention: Metals Laboratory	(1)	Commanding Officer Watertown Arsenal Watertown, Massachusetts Attention: Ordnance Materials Research Office : Laboratory Division	(1) (1)
Materials Laboratory New York Naval Shipyard Brooklyn 1, New York Attention: Code 907	(1)	Commanding Officer Office of Ordnance Research Box CM, Duke Station Duke University Durham, North Carolina Attention: Metallurgy Division	(1)
Chief, Bureau of Yards and Docks Department of the Navy Washington 25, D. C. Attention: Research and Standards Division	(1)	Commander Wright Air Development Center Wright-Patterson Air Force Base Dayton, Ohio Attention: Aeronautical Research Lab. (WCRPL) : Materials Laboratory (WCRTL)	(1) (1)
Commanding Officer David Taylor Model Basin Washington 7, D. C.	(1)	U. S. Air Force ARDC Office of Scientific Research Washington 25, D. C. Attention: Solid State Division (SRQB)	(1)
Post Graduate School U. S. Naval Academy Monterey, California Attention: Dept. of Metallurgy	(1)	National Bureau of Standards Washington 25, D. C. Attention: Metallurgy Division : Mineral Products Division	(1) (1)
Office of Technical Services Department of Commerce Washington 25, D. C.	(1)	National Aeronautics Space Administration Lewis Flight Propulsion Laboratory Cleveland, Ohio Attention: Materials and Thermo- dynamics Division	(1) (1)
Commanding Officer U. S. Naval Ordnance Test Station Inyokern, California	(1)		
Armed Services Technical Information Agency (ASTIA) Documents Service Center Arlington Hall Station Arlington, Va.	(5)		

BASIC DISTRIBUTION LIST (Continued)

<u>Organization</u>	<u>No. of Copies</u>	<u>Organization</u>	<u>No. of Copies</u>
U. S. Atomic Energy Commission Washington 25, D. C. Attention: Technical Library	(1)	General Electric Company P. O. Box 100 Richland, Washington Attention: Technical Information Division	(1)
U. S. Atomic Energy Commission Washington 25, D. C. Attention: Metals and Materials Branch Division of Research : Eng. Develop. Branch, Division of Reactor Develop.	(1)      (1)	Iowa State College P. O. Box 14A, Station A Ames, Iowa Attention: F. H. Spedding	(1)
Argonne National Laboratory P. O. Box 299 Lemont, Illinois Attention: H. D. Young, Librarian	(1)	Knolls Atomic Power Laboratory P. O. Box 1072 Schenectady, New York Attention: Document Librarian	(1)
Brookhaven National Laboratory Technical Information Division Upton, Long Island New York Attention: Research Library	(1)	U. S. Atomic Energy Commission New York Operations Office 70 Columbus Avenue New York 23, New York Attention: Document Custodian	(1)
Union Carbide Nuclear Co. Oak Ridge National Laboratory P. O. Box P Oak Ridge, Tennessee Attention: Metallurgy Division : Solid State Physics Division : Laboratory Records Dept.	(1)      (1)   (1)	Sandia Corporation Sandia Base Albuquerque, New Mexico Attention: Library	(1)
Los Alamos Scientific Laboratory P. O. Box 1663 Los Alamos, New Mexico Attention: Report Librarian	(1)	U. S. Atomic Energy Commission Technical Information Service Extension P. O. Box 62 Oak Ridge, Tennessee Attention: Reference Branch	(1)
		University of California Radiation Laboratory Information Division Room 128, Building 50 Berkeley, California Attention: R. K. Wakerling	(1)

BASIC DISTRIBUTION LIST (Continued)

<u>Organization</u>	<u>No. of Copies</u>	<u>Organization</u>	<u>No. of Copies</u>
Bettis Plant U. S. Atomic Energy Commission Bettis Field P. O. Box 1468 Pittsburgh 30, Pennsylvania Attention: Mrs. Virginia Sternberg, Librarian	(1)	Defense Metals Information Center Battelle Memorial Institute 505 King Avenue Columbus, Ohio	(2)
Commanding Officer and Director U. S. Naval Civil Engineering Laboratory Port Hueneme, California	(1)	Solid State Devices Branch Evans Signal Laboratory U. S. Army Signal Engineering Laboratories c/o Senior Navy Liaison Officer U. S. Navy Electronic Office Fort Monmouth, New Jersey	(1)
Commanding Officer U. S. Naval Ordnance Underwater Station Newport, Rhode Island	(1)	U. S. Bureau of Mines P. O. Drawer B Boulder City, Nevada Attention: Electro-Metallurgical Div.	(1)
U. S. Bureau of Mines Washington 25, D. C. Attention: Dr. E. T. Hayes	(1)	Commanding General U. S. Army Ordnance Arsenal, Frankford Philadelphia 37, Pennsylvania Attention: Mr. Harold Markus ORDBA-1320, 64-4	(1)
Picatinny Arsenal Box 31 Dover, New Jersey Attention: Lt. Hecht	(1)		

SUPPLEMENTARY DISTRIBUTION LIST

B

Technical and Summary Reports

Prof. E. R. Parker  
Division of Mineral Technology  
University of California  
Berkeley 4, California

Prof. R. A. Huggins  
Department of Metallurgical Engineering  
Stanford University  
Stanford, California

Prof. W. A. Bakofen  
Department of Metallurgy  
Massachusetts Institute of Technology  
Cambridge 39, Massachusetts

Prof. W. R. Upthegrove  
Department of Metallurgical Engineering  
University of Oklahoma  
Norman, Oklahoma

Dr. M. Gensamer  
Department of Metallurgy  
Columbia University  
New York 27, New York

Prof. D. N. Beshers  
School of Mines  
Columbia University  
New York 27, New York

Prof. B. Chalmers  
Department of Engineering &  
Applied Physics  
Harvard University  
Cambridge, Massachusetts

Prof. J. W. Kauffmann  
Department of Metallurgy  
Northwestern University  
Evanston, Illinois

Prof. N. Brown  
University of Pennsylvania  
Department of Metallurgical Engineering  
Philadelphia 4, Pennsylvania

Dr. H. G. F. Wilsdorf  
Franklin Institute  
Benjamin Franklin Parkway at 20th Street  
Philadelphia 3, Pennsylvania

Dr. R. Maddin  
Department of Metallurgy  
University of Pennsylvania  
Philadelphia 4, Pennsylvania

Dr. R. E. Maringer  
Battelle Memorial Institute  
505 King Avenue  
Columbus 1, Ohio

Prof. M. E. Fine  
Department of Metallurgy  
Northwestern University  
Evanston, Illinois

Prof. I. Cadoff  
Department of Metallurgical Engineering  
New York University  
University Heights  
New York 53, New York

Dr. J. A. Sabato  
Metallurgy Division  
Comision Nacional de Energia Atomica  
Buenos Aires  
Argentina

Prof. R. B. Gordon  
Department of Metallurgy  
Yale University  
New Haven, Connecticut

Dr. H. M. Otte  
RIAS Division  
Martin-Marietta Corp.  
Baltimore, Maryland

Prof. C. Elbaum  
Metals Research Laboratory  
Brown University  
Providence 12, Rhode Island

SUPPLEMENTARY DISTRIBUTION LIST (Continued)

B

Dr. S. Weissmann  
College of Engineering  
Rutgers University  
New Brunswick, New Jersey

Prof. C. W. Allen  
Department of Metallurgy  
University of Notre Dame  
Notre Dame, Indiana

Prof. B. D. Cullity  
Department of Metallurgy  
University of Notre Dame  
Notre Dame, Indiana

Prof. J. B. Cohen  
Department of Materials Science  
Northwestern University  
Evanston, Illinois

Prof. J. J. Gilman  
Division of Engineering  
Brown University  
Providence, Rhode Island

Prof. O. D. Sherby  
Division of Materials Science  
Stanford University  
Stanford, California

Dr. G. S. Ansell  
Rensselaer Polytechnic Institute  
Troy, New York

Dr. H. Peiffer  
RIAS  
7212 Bellona Avenue  
Baltimore, Maryland

Prof. F. Seitz  
Department of Physics  
University of Illinois  
Urbana, Illinois

Prof. T. A. Read  
Department of Mining and Met. Engrg.  
University of Illinois  
Urbana, Illinois

Dr. T. Vreeland  
California Institute of Technology  
Department of Mechanical Engineering  
Pasadena, California

Prof. R. Smoluchowski  
Department of Mechanical Engineering  
Princeton University  
Princeton, New Jersey

Prof. H. Brooks  
Dean of Graduate School of Applied  
Science  
Harvard University  
Cambridge, Massachusetts

Prof. H. B. Huntington  
Department of Physics  
Rensselaer Polytechnic Institute  
Troy, New York

Prof. J. S. Koehler  
Department of Physics  
University of Illinois  
Urbana, Illinois

Prof. E. Orowan  
Department of Mechanical Engineering  
Massachusetts Institute of Technology  
Cambridge 39, Massachusetts

Prof. M. Cohen  
Massachusetts Institute of Technology  
Cambridge 39, Massachusetts

Dr. R. Stokes  
Minneapolis-Honeywell Regulator Co.  
Hopkins, Minnesota