

Compact CW Cold Beam Cesium Atomic Clock

15 July 2000

Prepared by

W. F. BUELL and B. JADUSZLIWER
Electronics and Photonics Laboratory
Laboratory Operations

Prepared for

SPACE AND MISSILE SYSTEMS CENTER
AIR FORCE MATERIEL COMMAND
2430 E. El Segundo Boulevard
Los Angeles Air Force Base, CA 90245

Engineering and Technology Group


APPROVED FOR PUBLIC RELEASE;
DISTRIBUTION UNLIMITED

20000804 125

This report was submitted by The Aerospace Corporation, El Segundo, CA 90245-4691, under Contract No. F04701-93-C-0094 with the Space and Missile Systems Center, 2430 E. El Segundo Blvd., Los Angeles Air Force Base, CA 90245. It was reviewed and approved for The Aerospace Corporation by B. Jadaszliwer, Principal Director, Electronics and Photonics Laboratory. Michael Zambrana was the project officer for the Mission-Oriented Investigation and Experimentation (MOIE) program.

This report has been reviewed by the Public Affairs Office (PAS) and is releasable to the National Technical Information Service (NTIS). At NTIS, it will be available to the general public, including foreign nationals.

This technical report has been reviewed and is approved for publication. Publication of this report does not constitute Air Force approval of the report's findings or conclusions. It is published only for the exchange and stimulation of ideas.

A handwritten signature in cursive script, reading "Michael S. Zambrana". The signature is written in black ink and is positioned above a horizontal line.

Michael Zambrana

SMC/AXE

REPORT DOCUMENTATION PAGE			Form Approved OMB No. 0704-0188	
Public reporting burden for this collection of information is estimated to average 1 hour per response, including the time for reviewing instructions, searching existing data sources, gathering and maintaining the data needed, and completing and reviewing the collection of information. Send comments regarding this burden estimate or any other aspect of this collection of information, including suggestions for reducing this burden to Washington Headquarters Services, Directorate for Information Operations and Reports, 1215 Jefferson Davis Highway, Suite 1204, Arlington, VA 22202-4302, and to the Office of Management and Budget, Paperwork Reduction Project (0704-0188), Washington, DC 20503.				
1. AGENCY USE ONLY (Leave blank)		2. REPORT DATE 15 July 2000	3. REPORT TYPE AND DATES COVERED	
4. TITLE AND SUBTITLE Compact CW Cold Beam Cesium Atomic Clock			5. FUNDING NUMBERS F04701-93-C-0094	
6. AUTHOR(S) W. F. Buell and B. Jaduszliwer				
7. PERFORMING ORGANIZATION NAME(S) AND ADDRESS(ES) The Aerospace Corporation Laboratory Operations El Segundo, CA 90245-4691			8. PERFORMING ORGANIZATION REPORT NUMBER TR-99(8555)-5	
9. SPONSORING/MONITORING AGENCY NAME(S) AND ADDRESS(ES) Space and Missile Systems Center Air Force Materiel Command 2430 E. El Segundo Boulevard Los Angeles Air Force Base, CA 90245			10. SPONSORING/MONITORING AGENCY REPORT NUMBER SMC-TR-00-17	
11. SUPPLEMENTARY NOTES				
12a. DISTRIBUTION/AVAILABILITY STATEMENT Approved for public release; distribution unlimited			12b. DISTRIBUTION CODE	
13. ABSTRACT (Maximum 200 words) We present a novel cesium beam physics package, which uses optical techniques to combine the high signal-to-noise ratios achievable by optical pumping and beam brightening with the narrow linewidth allowed by a slow atomic beam. Our design can be realized in a compact, robust package suitable for space applications. Our approach differs from other laser-cooled clocks in that we use a cold-atom source that provides a continuous beam. We estimate the shot-noise-limited stability that can be achieved with this physics package to be 2 to 3 orders of magnitude better than that of current compact cesium beam atomic clocks.				
14. SUBJECT TERMS Cesium beam clock, Cold atom beam, Magneto-optic trap			15. NUMBER OF PAGES 9	
			16. PRICE CODE	
17. SECURITY CLASSIFICATION OF REPORT UNCLASSIFIED	18. SECURITY CLASSIFICATION OF THIS PAGE UNCLASSIFIED	19. SECURITY CLASSIFICATION OF ABSTRACT UNCLASSIFIED	20. LIMITATION OF ABSTRACT	

Contents

1. Introduction.....	1
2. The Cold-Atom Beam Source.....	3
4. The Cold Beam Clock.....	5
5. Conclusion	7
References.....	9

Figures

1. Schematic diagram of the cold cesium beam source, showing the antihelmholtz coils, the conical reflector, the incident and reflected light, the trapping region, and the output atomic beam.	3
2. Schematic diagram of the compact CW cold-beam cesium atom clock beam tube.....	5
3. Schematic diagram of the fiber-coupled compact laser system for the clock, using a DBR laser source.....	6

1. Introduction

Laser-pumped cesium beam atomic clocks have been under development over the last 20 years. Optical pumping allows for the utilization of essentially 100% of the atoms in the beam,¹⁻³ improving the clock signal-to-noise ratio over that of similar beam clocks using magnetic state selection by factors between 5 and 10. Those optically pumped clocks are typically laboratory instruments, with no limitation in size or weight. The last several years have seen feverish activity in the development of cold-atom clocks that exploit laser cooling techniques to implement variations of Zacharias' fountain clock proposal,^{4,5} achieving very narrow clock transition linewidths by lengthening the microwave interrogation interval. "Cold-atom" devices intended for use in space are also under development.^{6,7} Those devices are fairly complex, and, in principle, their basic design requires cyclic interrogation.

Our objective is to develop a novel cesium beam physics package that will use optical techniques to combine the high signal-to-noise ratio achievable by optical pumping and beam brightening with the narrow linewidth allowed by a slow atomic beam, while operating in a CW manner. We further constrain ourselves to designs that can be realized in a compact, robust package suitable for space applications. Our approach differs from others in that we use a cold-atom source that provides a continuous beam. This will enable continuous interrogation of the physics package, eliminating the enhanced impact of local oscillator noise on atomic clock stability caused in cyclic interrogation clocks by the Dick effect.⁸

2. The Cold-Atom Beam Source

The cold beam source, schematically shown in Figure 1, consists of a magneto-optic trap (MOT)⁹ formed with a single circularly polarized laser beam from a 150-mW α -DFB diode laser directed into a right-angle conical reflector.¹⁰ The symmetry center of the magnetic field generated by a set of antihelmholtz coils lays on the axis of the conical reflector and becomes the center of the MOT. Polarization changes upon reflection, combined with the change of sign of the magnetic field at the center of the trap, provide the three-dimensional σ^+ and σ^- counterpropagating light fields required by the MOT.

The reflector is a 5-cm-dia OFHC copper cylinder with a diamond-machined conical inner surface and a protected gold reflective coating of rms surface roughness < 5 nm. At the apex of the cone, there is a 1-mm orifice that creates a “dark column” with no retroreflected light. Atoms are pushed out of the MOT by the incident laser beam, forming a low-velocity, intense source (LVIS) of cold atoms.¹¹ The LVIS approach results in a continuous atomic beam.

The effective capture radius of our MOT is about 1.5 cm, and the capture velocity is about 20 m/s. The MOT operates on saturated cesium vapor at room temperature; under those conditions, the

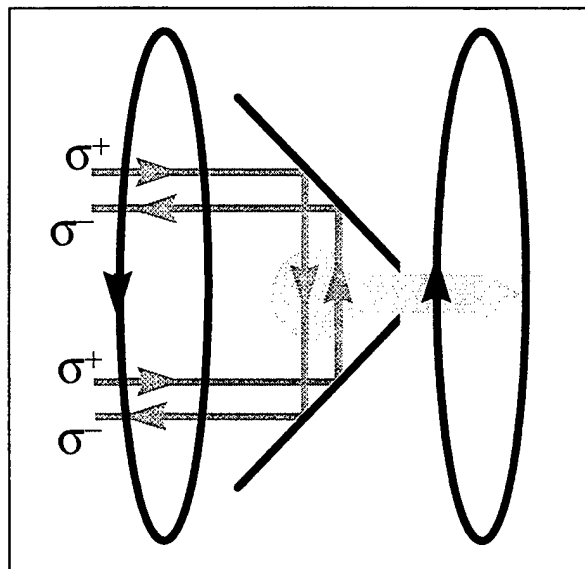


Figure 1. Schematic diagram of the cold cesium beam source, showing the antihelmholtz coils, the conical reflector, the incident and reflected light, the trapping region, and the output atomic beam.

expected MOT loading rate is about 10^8 atoms/s. Since the MOT losses are dominated by transfer to the LVIS beam (and not by collisions), we expect the beam flux to be also about 10^8 atoms/s. The mean speed of the cesium atoms pushed out of the MOT through the 2-cm-long "dark column" will be about 10 m/s, and the velocity spread for a 0.5-cm-dia MOT will be about 3 m/s.

4. The Cold Beam Clock

Our proposed realization of the CW cold beam cesium atomic clock physics package is schematically illustrated in Figure 2. The LVIS reflector will be placed at the source end of the cesium beam tube (CBT), with a suitable cesium reservoir. The antihelmholtz coils will be placed outside the CBT, and a conventional graphite collimator will provide a differential pumping orifice, limit the cesium background pressure away from the LVIS source, and also provide some shielding against MOT light.

Immediately after the graphite collimator, a transverse laser-cooling region, slightly tilted with respect to the LVIS axis, will collimate, brighten, and bend the atomic beam. The bending of the beam will reduce the microwave resonance light shift caused by LVIS light entering the Ramsey cavity. We are investigating several dark-state transient cooling schemes that would perform the optical pumping state preparation of the beam simultaneously with the collimation and bending. Alternately, the state preparation step could come after the collimation and bending step. After state preparation, the intense, slow beam of atoms in the $F = 3$, $m_F = 0$ state will enter a Ramsey cavity similar in size and configuration to those used in commercial cesium beam clocks.

If an additional reduction in the amount of fluorescent light entering the microwave cavity is required to improve the frequency stability of the device, a short inhomogeneous magnetic field

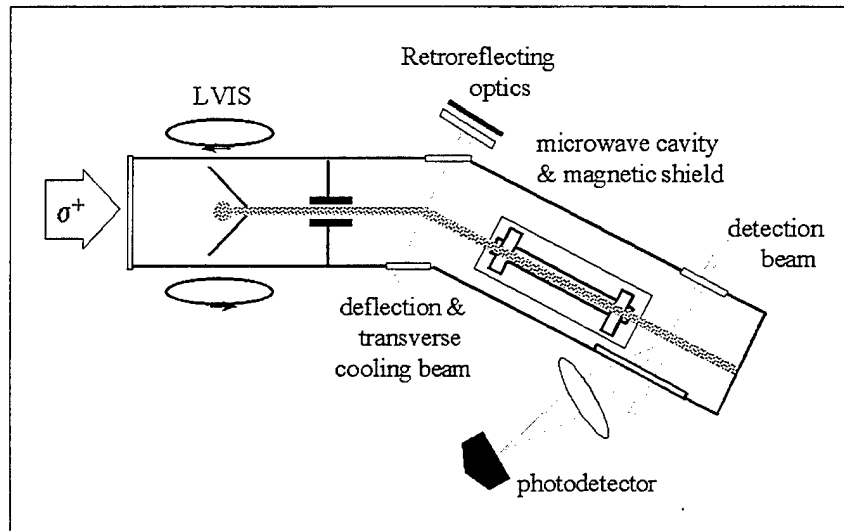


Figure 2. Schematic diagram of the compact CW cold-beam cesium atom clock beam tube. Some obviously needed components such as the cesium reservoir, ion pump, cesium getters and light baffles have been omitted for clarity. The bending angle of the atomic beam (as well as of the beam tube) is exaggerated for clarity.

region can be used for further bending of the atomic beam. In this case, magnetic bending can be accomplished very easily (the atoms are moving slowly) and without significant beam loss (the beam is in a single magnetic state and has a narrow velocity spread).

After traversing the cavity, atoms will be detected by laser-induced fluorescence. With shot noise-limited detection of the 10^8 atoms/s LVIS beam, we expect a signal-to-noise ratio of 10^4 . For a mean atomic speed of 10 m/s and a 20-cm Ramsey interaction length, the clock transition linewidth will be about 50 Hz, for a Q of about 1.8×10^8 . With those parameters, we estimate that a white frequency noise clock stability $\sigma_y(\tau) \cong 1.1 \times 10^{-13} / \sqrt{\tau}$ will be achievable.

A single 150-mW DBR diode laser will provide the multiple beams required for trapping and repumping the Cs atoms in the LVIS, collimating and bending the Cs beam in the CBT, and detecting the atoms after interrogation. The laser will be offset-locked to a cesium vapor resonance cell. All beams will be fiber-coupled, and electro-optic modulators will provide sidebands with the required offsets, as shown in Figure 3.

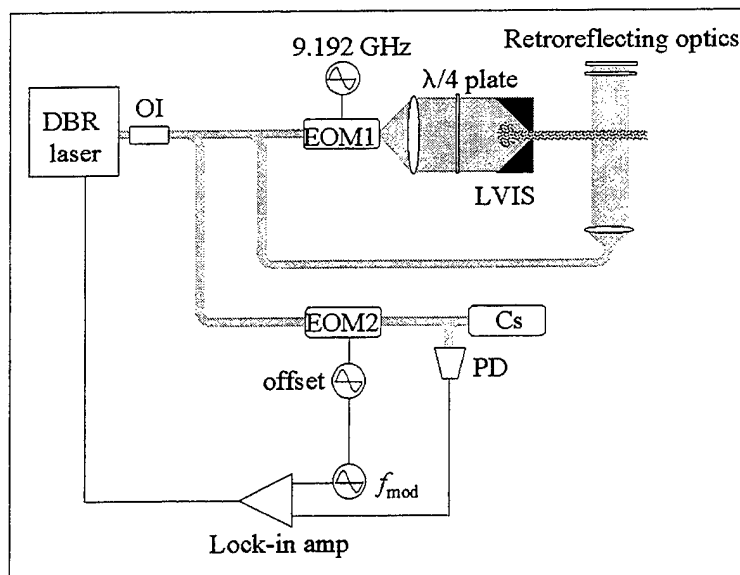


Figure 3. Schematic diagram of the fiber-coupled compact laser system for the clock, using a DBR laser source. OI: optical isolator. EOM1, EOM2: electro-optic modulators. PD: photodetector. Cs: reference Cs vapor cell. The detection laser beam is omitted for clarity.

5. Conclusion

We have discussed the source of a slow, bright cesium atomic beam, and its application to a proposed cold beam cesium atomic clock operating in cw fashion. The beam source has been built and tested.

References

1. M. Arditi and J. L. Picque, "A cesium beam atomic clock using laser optical pumping—Preliminary tests", *J. Physique* **41**, pp. L379–L381, 1980.
2. R. E. Drullinger, J. Shirley, D. J. Glaze, L. W. Hollberg, and A. DeMarchi, "Progress toward an optically pumped cesium beam frequency standard," *Proc. 40th. Ann. Freq. Cont. Symp.*, pp. 428–431, 1986.
3. S. Ohshima, Y. Nakadan, and Y. Koga, "Development of an optically pumped Cs frequency standard at the NRLM," *IEEE Trans. Instrum. Meas.* **37**, pp. 409–413, 1988.
4. M. Kasevich, E. Riis, S. Chu, and R. De Voe, "RF spectroscopy in an atomic fountain," *Phys. Rev. Lett.* **63**, pp. 612–615, 1989.
5. G. Santarelli, S. Ghezali, Ph. Laurent, S. N. Lea, M. Bahoura, K. Szymaniec, E. Simon, and A. Clairon, "Recent results of the LPTF cesium fountain primary frequency standard," *Proc. 1995 IEEE Int. Freq. Cont. Symp.*, pp. 60–65, 1995.
6. P. Lemonde, P. Laurent, E. Simon, G. Santarelli, A. Clairon, C. Salomon, N. Dimarcq, P. Petit, C. Audoin, F. Jamin Changeart, and F. Gonzalez, "A space clock prototype using cold cesium atoms," *Proc. 1997 IEEE Int. Freq. Cont. Symp.*, pp. 213–218, 1997.
7. H. G. Robinson, S. R. Jefferts, D. B. Sullivan, L. W. Hollberg, N. Ashby, T. Heavner, J. H. Shirley, F. L. Walls, and R. E. Drullinger, "Design studies for a laser-cooled space clock," *Proc. 1998 IEEE Int. Freq. Cont. Symp.*, pp. 37–40, 1998.
8. G. J. Dick, "Local oscillator-induced instabilities in trapped ion frequency standards," *Proc. 19th Precise Time and Time Interval Planning Meeting*, pp. 133–147, 1987.
9. E. L. Raab, M. Prentiss, A. Cable, S. Chu, and D. E. Pritchard, "Trapping of neutral sodium atoms with radiation pressure," *Phys. Rev. Lett.* **59**, pp. 2631–2634, 1987.
10. K. I. Lee, J. A. Kim, H. R. Noh, and W. Jhe, "Single-beam atom trap in a pyramidal and conical hollow mirror," *Opt. Lett.* **21**, pp. 1177–1179, 1996.
11. Z. T. Lu, K. L. Corwin, M. J. Renn, M. H. Anderson, E. A. Cornell, and C. E. Wieman, "Low-velocity intense source of atoms from a magneto-optical trap," *Phys. Rev. Lett.* **77**, pp. 3331–3334, 1996.

LABORATORY OPERATIONS

The Aerospace Corporation functions as an "architect-engineer" for national security programs, specializing in advanced military space systems. The Corporation's Laboratory Operations supports the effective and timely development and operation of national security systems through scientific research and the application of advanced technology. Vital to the success of the Corporation is the technical staff's wide-ranging expertise and its ability to stay abreast of new technological developments and program support issues associated with rapidly evolving space systems. Contributing capabilities are provided by these individual organizations:

Electronics and Photonics Laboratory: Microelectronics, VLSI reliability, failure analysis, solid-state device physics, compound semiconductors, radiation effects, infrared and CCD detector devices, data storage and display technologies; lasers and electro-optics, solid state laser design, micro-optics, optical communications, and fiber optic sensors; atomic frequency standards, applied laser spectroscopy, laser chemistry, atmospheric propagation and beam control, LIDAR/LADAR remote sensing; solar cell and array testing and evaluation, battery electrochemistry, battery testing and evaluation.

Space Materials Laboratory: Evaluation and characterizations of new materials and processing techniques: metals, alloys, ceramics, polymers, thin films, and composites; development of advanced deposition processes; nondestructive evaluation, component failure analysis and reliability; structural mechanics, fracture mechanics, and stress corrosion; analysis and evaluation of materials at cryogenic and elevated temperatures; launch vehicle fluid mechanics, heat transfer and flight dynamics; aerothermodynamics; chemical and electric propulsion; environmental chemistry; combustion processes; space environment effects on materials, hardening and vulnerability assessment; contamination, thermal and structural control; lubrication and surface phenomena.

Space Science Application Laboratory: Magnetospheric, auroral and cosmic ray physics, wave-particle interactions, magnetospheric plasma waves; atmospheric and ionospheric physics, density and composition of the upper atmosphere, remote sensing using atmospheric radiation; solar physics, infrared astronomy, infrared signature analysis; infrared surveillance, imaging, remote sensing, and hyperspectral imaging; effects of solar activity, magnetic storms and nuclear explosions on the Earth's atmosphere, ionosphere and magnetosphere; effects of electromagnetic and particulate radiations on space systems; space instrumentation, design fabrication and test; environmental chemistry, trace detection; atmospheric chemical reactions, atmospheric optics, light scattering, state-specific chemical reactions and radiative signatures of missile plumes.

Center for Microtechnology: Microelectromechanical systems (MEMS) for space applications; assessment of microtechnology space applications; laser micromachining; laser-surface physical and chemical interactions; micropropulsion; micro- and nanosatellite mission analysis; intelligent microinstruments for monitoring space and launch system environments.

Office of Spectral Applications: Multispectral and hyperspectral sensor development; data analysis and algorithm development; applications of multispectral and hyperspectral imagery to defense, civil space, commercial, and environmental missions.