

UNCLASSIFIED

AD 401 321

*Reproduced
by the*

DEFENSE DOCUMENTATION CENTER

FOR

SCIENTIFIC AND TECHNICAL INFORMATION

CAMERON STATION, ALEXANDRIA, VIRGINIA



UNCLASSIFIED

NOTICE: When government or other drawings, specifications or other data are used for any purpose other than in connection with a definitely related government procurement operation, the U. S. Government thereby incurs no responsibility, nor any obligation whatsoever; and the fact that the Government may have formulated, furnished, or in any way supplied the said drawings, specifications, or other data is not to be regarded by implication or otherwise as in any manner licensing the holder or any other person or corporation, or conveying any rights or permission to manufacture, use or sell any patented invention that may in any way be related thereto.

HARRY DIAMOND LABORATORIES

Robert W. McEvoy
LtCol, Ord Corps
Commanding

B. M. Horton
Technical Director

MISSION

The mission of the Harry Diamond Laboratories is:

(1) To perform research and engineering on systems for detecting, locating, and evaluating targets; for accomplishing safing, arming, and munition control functions; and for providing initiation signals: these systems include, but are not limited to, radio and non-radio proximity fuzes, predictor-computer fuzes, electronic timers, electrically-initiated fuzes, and related items.

(2) To perform research and engineering in fluid amplification and fluid-actuated control systems.

(3) To perform research and engineering in instrumentation and measurement in support of the above.

(4) To perform research and engineering in order to achieve maximum immunity of systems to adverse influences, including counter-measures, nuclear radiation, battlefield conditions, and high-altitude and space environments.

(5) To perform research and engineering on materials, components, and subsystems in support of above.

(6) To conduct basic research in the physical sciences in support of the above.

(7) To provide consultative services to other Government agencies when requested.

(8) To carry out special projects lying within installation competence upon approval by the Director of Research and Development, Army Materiel Command.

(9) To maintain a high degree of competence in the application of the physical sciences to the solution of military problems.

The findings in this report are not to be construed as an official Department of the Army position.

UNITED STATES ARMY MATERIEL COMMAND
HARRY DIAMOND LABORATORIES
WASHINGTON 25, D.C.

DA-5N03-01-003
OMS Code 5010.11.71200
HDL Proj. 31100

TR-1114

8 March 1963

FLUID AMPLIFICATION

9. Logic Elements

E. V. Hobbs

FOR THE COMMANDER:
Approved by

R. D. Hatcher
R. D. Hatcher
Chief, Laboratory 300

Qualified requesters may obtain copies of this report from ASTIA.

CONTENTS

	Page No.
ABSTRACT.	5
1. INTRODUCTION	5
2. LOGIC ELEMENTS	5
2.1 Flip Flops.	5
2.2 Oscillators	6
2.3 AND Gate.	7
2.4 OR Gate	7
3. COMBINATIONS OF ELEMENTS	7
3.1 Clock	7
3.2 Half Adder.	8
3.3 T Flip Flop	8

ILLUSTRATIONS

Figure		
1	Flip flop.	9
2	Memory flip flop	10
3	Four-Control flip flop	11
4	Comparator	12
5	Nonmemory flip flop.	13
6	Oscillator, output loaded.	14
7	Oscillator, control loaded	15
8	AND gate	16
9	OR gate.	17
10	OR gate operation.	18
11	Clock.	19
12	Half adder, AND and OR type.	20
13	Half adder, hook type.	21
14	Half adder operation, hook type.	22
15	T flip flop.	23
16	T flip flop operation.	24

ABSTRACT

Descriptions are given of the operation of various fluid logic elements--singly and in combination.

1. INTRODUCTION

Certain fluid logic elements have been described by R. Warren.* In the present report the description of other useful elements is given along with the pertinent material that was presented previously. Because of the ease of working with low pressure air, most of the work at HDL on fluid amplifiers has been done using air as the working fluid. This report, therefore, concerns itself only with pneumatic operation.

Fluid amplifiers can have single-ended outputs or can be connected to use a push-pull effect. Operation can depend almost entirely on momentum exchange or can make use of the pressures resulting from the proximity of boundary walls. The momentum-exchange type of fluid amplifier can be designed so that its output is proportional to its input or it can be designed to be nonlinear or even bistable. The wall-interaction type on the other hand is difficult to make proportional over any reasonable range but lends itself very readily to becoming a bistable device. For this reason it is of considerable interest for use in binary systems.

2. LOGIC ELEMENTS

2.1 Flip Flops

A bistable device or element called a flip flop is shown in figure 1. The power jet stream enters at the bottom and flows upward through the nozzle. By the mechanism described by R. Warren**, the stream locks to one wall. When the power jet stream is locked to the left interaction chamber boundary wall as shown in figure 1, the pressure in the left control passage is well below the pressures in the input, output, interaction chamber, and right control passage. This low pressure should be maintained for good lock-on of the power jet stream to the wall. When this pressure is raised, flow into the interaction chamber from the control jet commences, and, if this flow reaches a certain threshold level, switching of the power jet to the right boundary wall will occur.

Fluid amplifiers can be built purposely one-sided so that the stream will always start on a certain side. This is done by making the boundary wall closer to the power jet on the side to which starting is desired. The stream will remain locked to that side until control flow is put in through one of the two control passages. As shown in figure 1, control flow introduced from the left side causes the stream to be shifted

*DOFL TR-1061, FLUID AMPLIFICATION, Fluid Flip Flops and a Counter,
R. W. Warren.

**DOFL TR-1039, FLUID AMPLIFICATION, Basic Principles, R. Warren,
S. Peperone.

from the left wall to the right wall, delivering energy to the right output. A right control flow can be used to shift the stream from the right wall to the left wall, delivering energy to the left output. Flip flops or bistable elements can be made to shift from one side to the other with a buildup in pressure at the output. They can also be made to remain where directed in spite of a large buildup in pressure at the output.

Figure 2 shows a memory flip flop. In this type of bistable element the distance from the exit of the power jet nozzle to the end of the divider or splitter is made relatively long to allow the stream to lock to one of the interaction boundary walls and remain locked to that wall, although there is a complete blockage on that output side.

Flip-flop elements can also be built with four control inputs, as shown in figure 3. This type of fluid element is useful where several input signals must be used to control one bistable fluid element. As shown in figure 3, two signals can be used to control the power jet to the right and two others to the left. The arrangement of the input passages for the control flows is such that very little interaction occurs between control flows. The configuration therefore provides an effective buffer between signals.

If a bistable element is properly designed, two signals (one from either side) can be introduced simultaneously and the larger will control the power jet to one output or the other. This type of fluid element can be used as a comparator (fig 4) to determine which of two inputs is larger. It can be used as a power amplifier for digital work where a larger signal is desired. In this case a bias is used for one of the two input signals, and the signal to be amplified is used on the other side. In this way, a pulse, of amplitude larger than the bias, delivered to the unbiased input causes the stream to switch, but when the pulse terminates, the bias shifts the power stream back to the opposite side and thereby terminates the output pulse.

Bistable fluid elements can also be made purposely to have no memory. Figure 5 shows a nonmemory flip flop. The distance between the output of the power jet and the end of the splitter has purposely been made short. This means that if a blockage occurs at the output, the stream does not have wall distance enough to continue locked to that boundary wall while flowing out of the unblocked side, and therefore it will be forced to turn and go out the other output passage, thereby attaching to the other wall, and no longer delivering its power to the blocked side.

2.2 Oscillators

Figure 6 shows an oscillator made using the nonmemory flip flop as the basis. In this oscillator, a tank with a slightly open valve is connected to one of the output passages of the nonmemory flip flop.

is connected to the output passage of the oscillator so that the high-energy power jet of the flip flop can be controlled to the left with oscillator input or to the right without oscillator input, because of the bias input. In this way pulses appear alternately at the two outputs of the biased flip flop, one being used as the primary clock pulse and the other as the secondary clock pulse, these two pulses never being present at the same time.

3.2 Half Adder

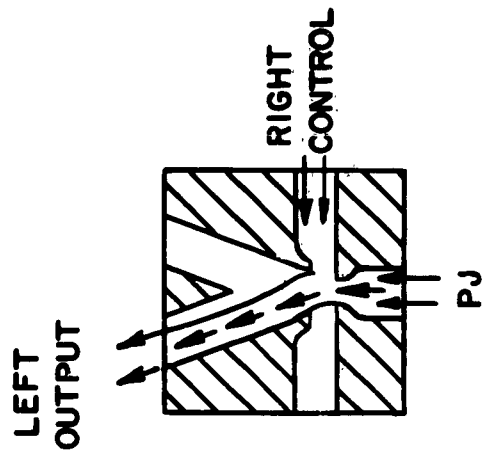
The logic half adder is shown in figure 12. In this combination of fluid elements, the AND gate of figure 8 is connected to the OR gate of figure 9. Output from the AND passage of the AND gate is one of the two half adder outputs. Output from either of the other passages of the AND gate flows to the control passages of the OR gate and is combined in the OR gate to provide the other half adder output. The NOR output of the OR gate is not used except as a dump. Therefore, the (A not B) or (B not A) output of the half adder comes from the OR gate, whereas the (A and B) output of the half adder comes from the AND gate.

Another type of half adder, the hook type, is shown in figure 13. Input occurring at A only clings to the left boundary wall and emerges at C. Input occurring at B only is turned by the hook and it also emerges at C. But in the presence of both A and B, stream interaction occurs and output is at D. Therefore, the half adder output at D is (A and B), but the half adder output at C is (A not B) or (B not A). This operation is shown in figure 14.

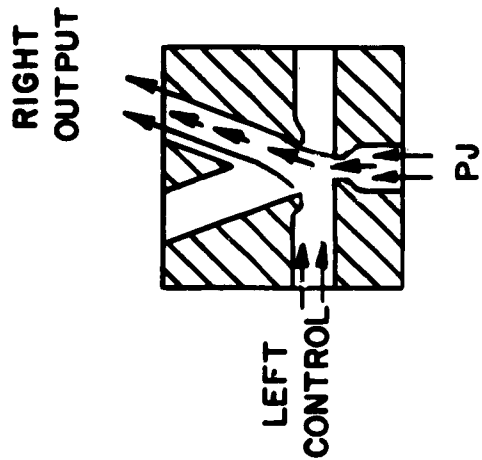
3.3 T Flip Flop

The T flip flop or trigger flip flop is shown in figure 15. In this combination a memory flip flop (top of figure) has its control passages connected to the output passages of a nonmemory flip flop without control passages. In this combination it is assumed that flow from the power jet of the memory flip flop is to the left emerging at output A. Flow to this side causes reduction to pressure in the left control passage below that in the right control passage. As shown in figure 16, this causes flow to occur from the left output of the nonmemory flip flop to the left input of the memory flip flop. The flow circulates through the controls of the memory flip flop from left to right and through the output passages of the nonmemory flip flop from right to left. This flow will force an input pulse that is initiated at the T input connection to go to the left, thereby raising the pressure in the left control passage of the memory flip flop and causing the stream to switch to output B. When the input pulse at the T connection terminates, the pressure ratios previously described are set up again but this time are reversed right to left, that is, the pressure is lower on the right side of the memory unit. Therefore the next input pulse occurring at the T connection will cause the output flow to change from B to A.

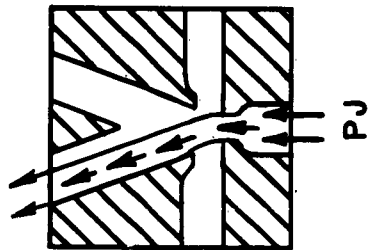
The above mechanism is of importance for relatively slow switching; however, J. Iseman and S. Katz have found a second mechanism which becomes of primary importance for rapid switching. This mechanism will be described in a subsequent report.



POWER JET PLUS
RIGHT CONTROL.
STREAM DIRECTED
TO LEFT OUTPUT



POWER JET PLUS
LEFT CONTROL.
STREAM DIRECTED
TO RIGHT OUTPUT



POWER JET ONLY.
STREAM TAKES
EITHER SIDE

Figure 1. Flip flop.

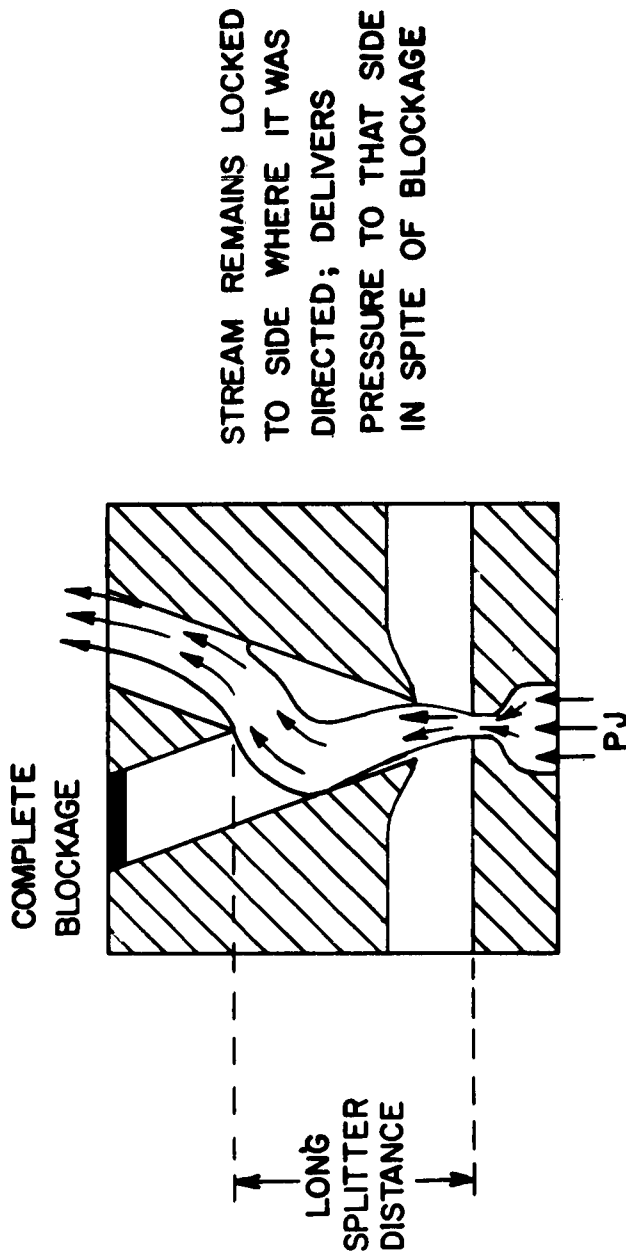


Figure 2. Memory flip flop.

RESEARCH REPORT

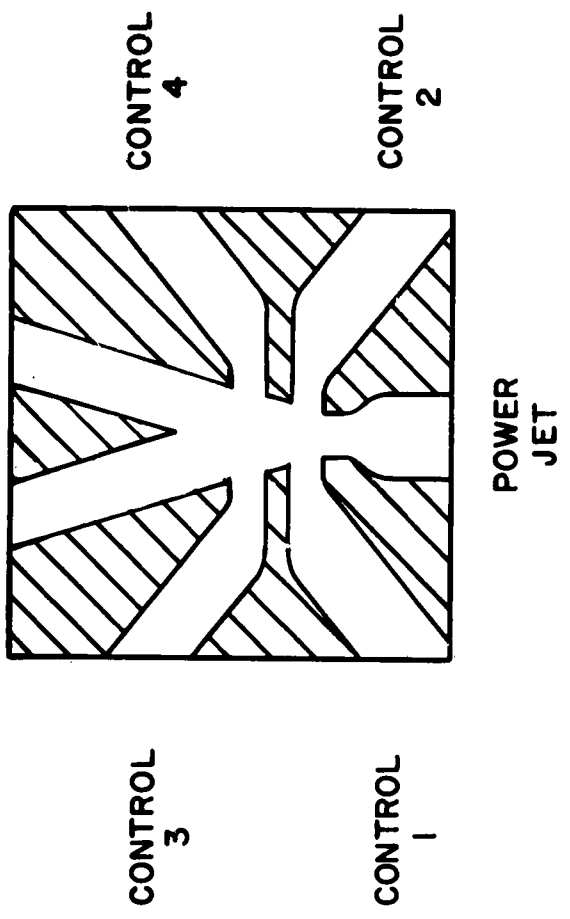


Figure 3. Four-Control flip flop.

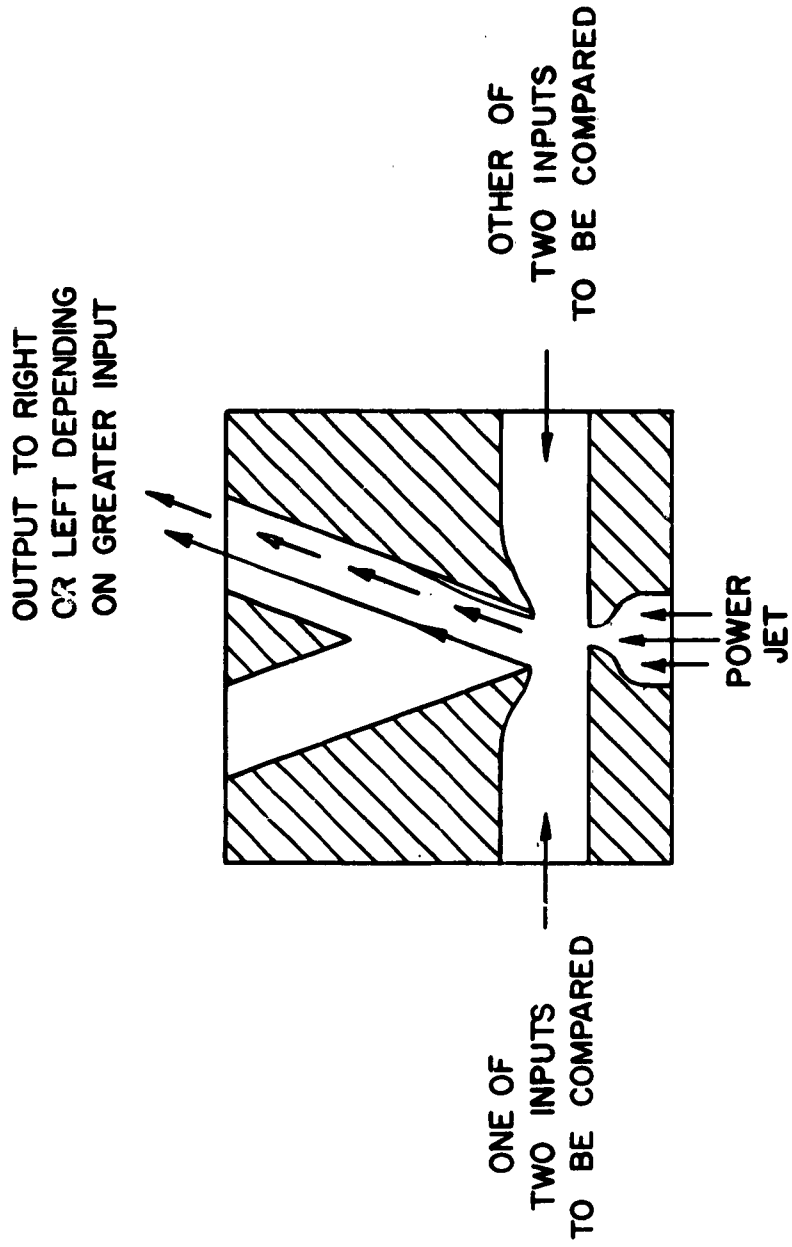


Figure 4. Comparator.

11 12 13 14 15 16 17 18 19 20 21 22 23 24 25 26 27 28 29 30 31 32 33 34 35 36 37 38 39 40 41 42 43 44 45 46 47 48 49 50 51 52 53 54 55 56 57 58 59 60 61 62 63 64 65 66 67 68 69 70 71 72 73 74 75 76 77 78 79 80 81 82 83 84 85 86 87 88 89 90 91 92 93 94 95 96 97 98 99 100

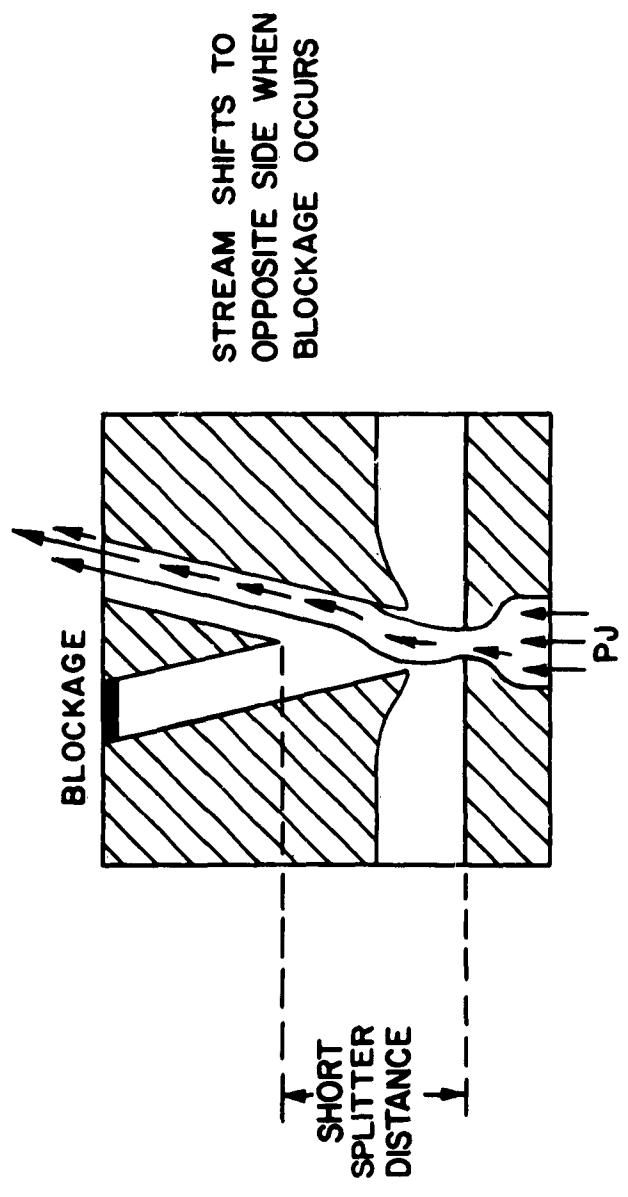


Figure 5. Nonmemory flip flop.

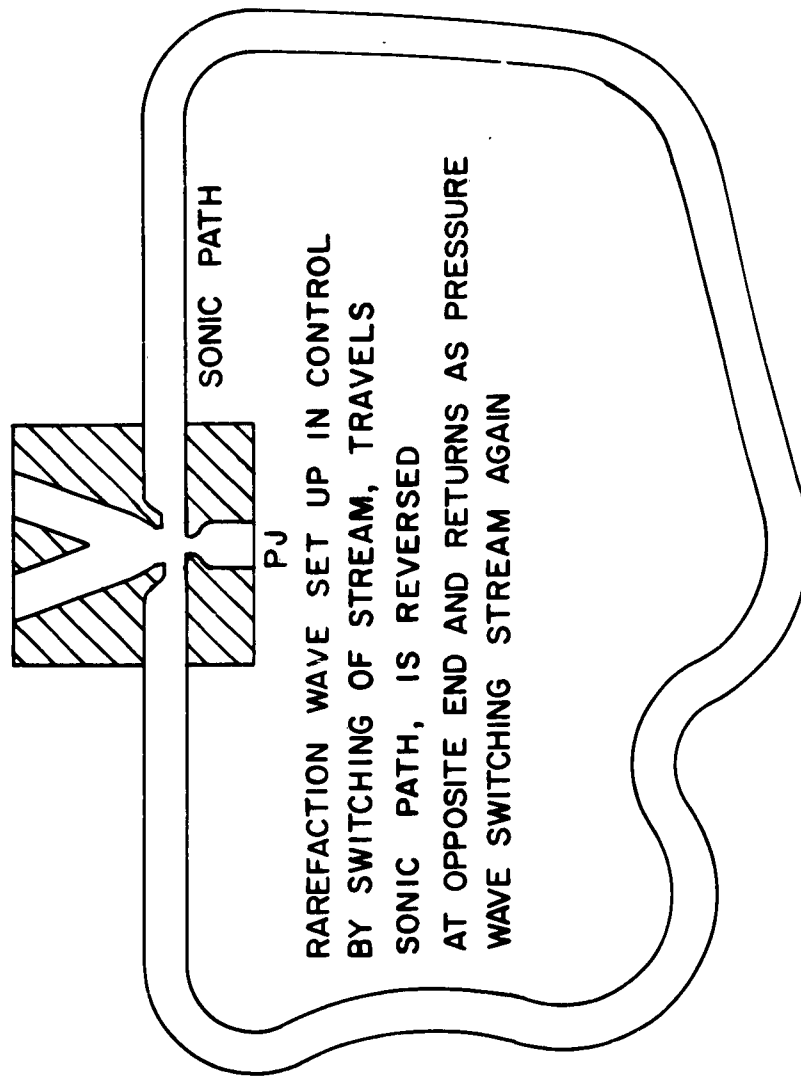


Figure 7. Oscillator, control loaded.

OUTPUT E HAS
FLOW ONLY IN
THE PRESENCE OF
INPUTS AT A AND B

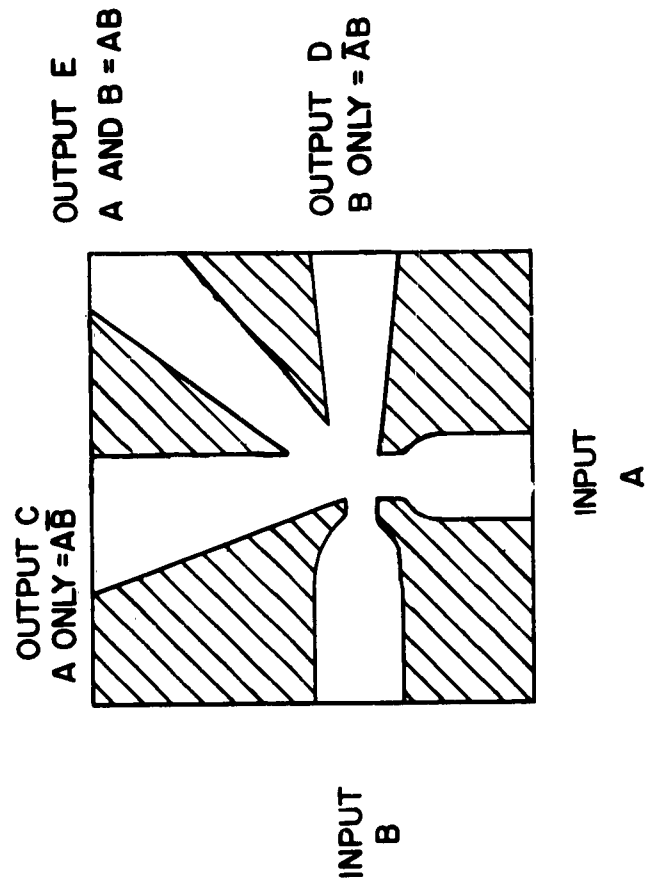


Figure 8. AND gate.

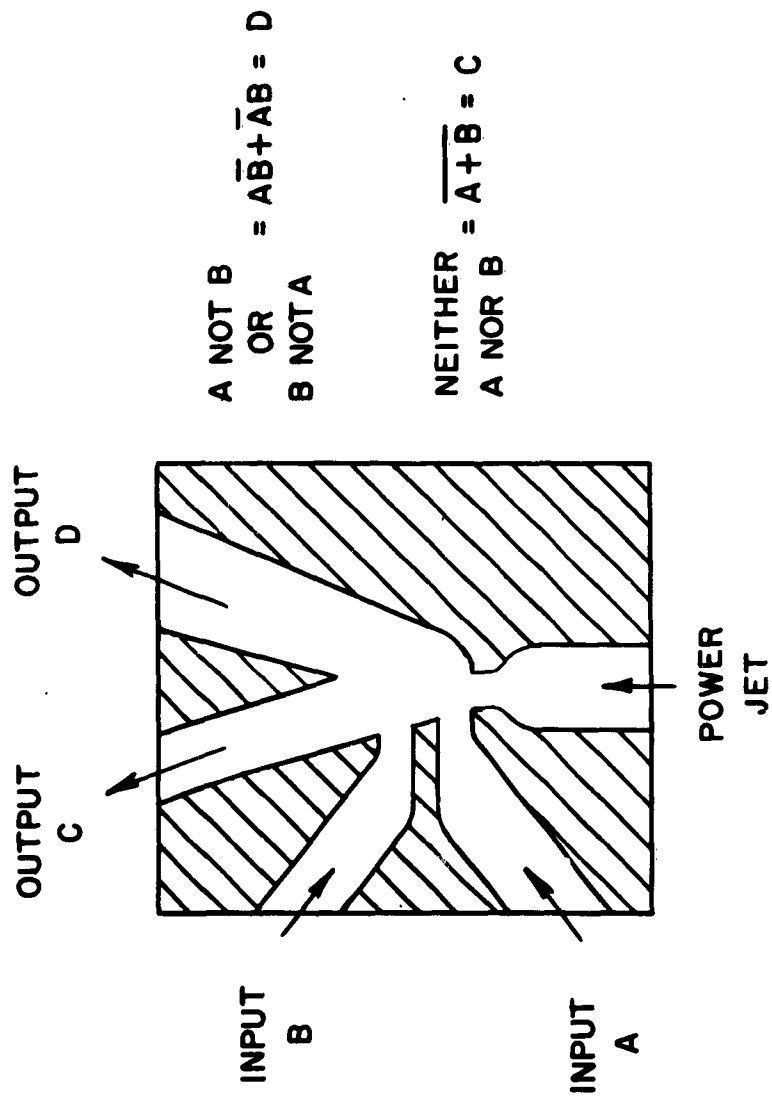


Figure 9. OR gate.

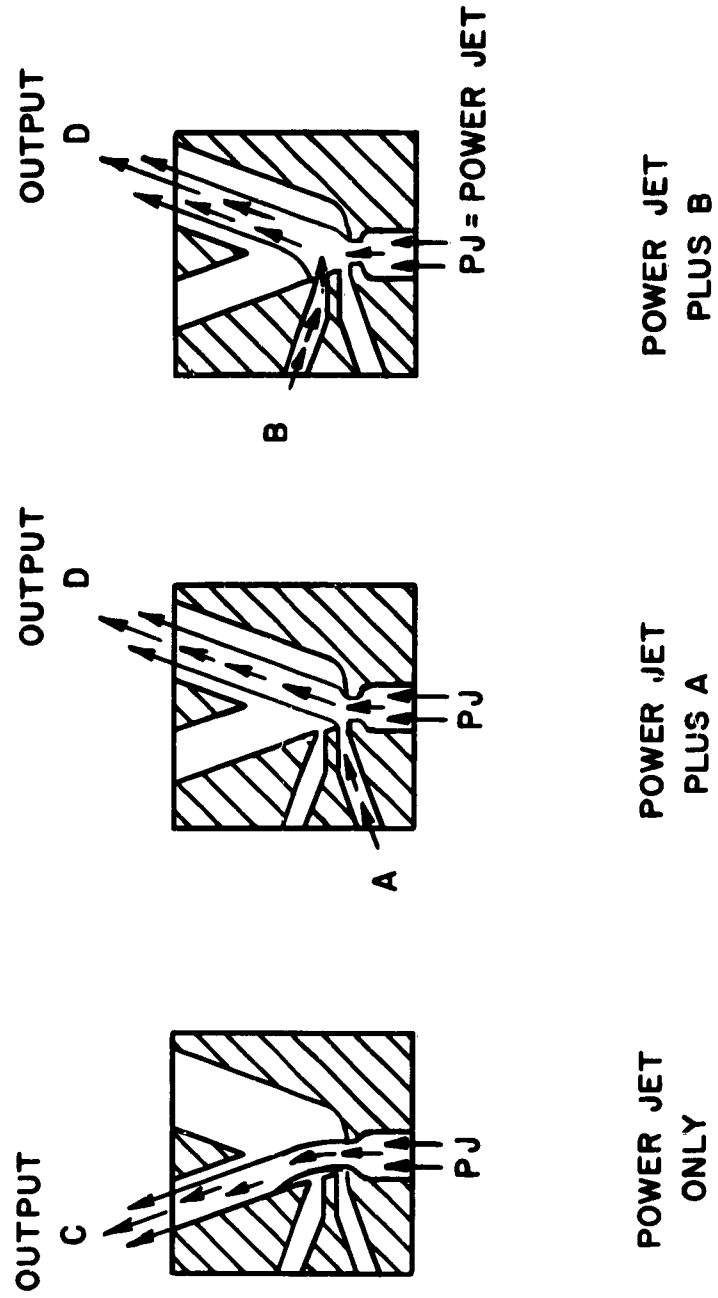


Figure 10. OR gate operation.

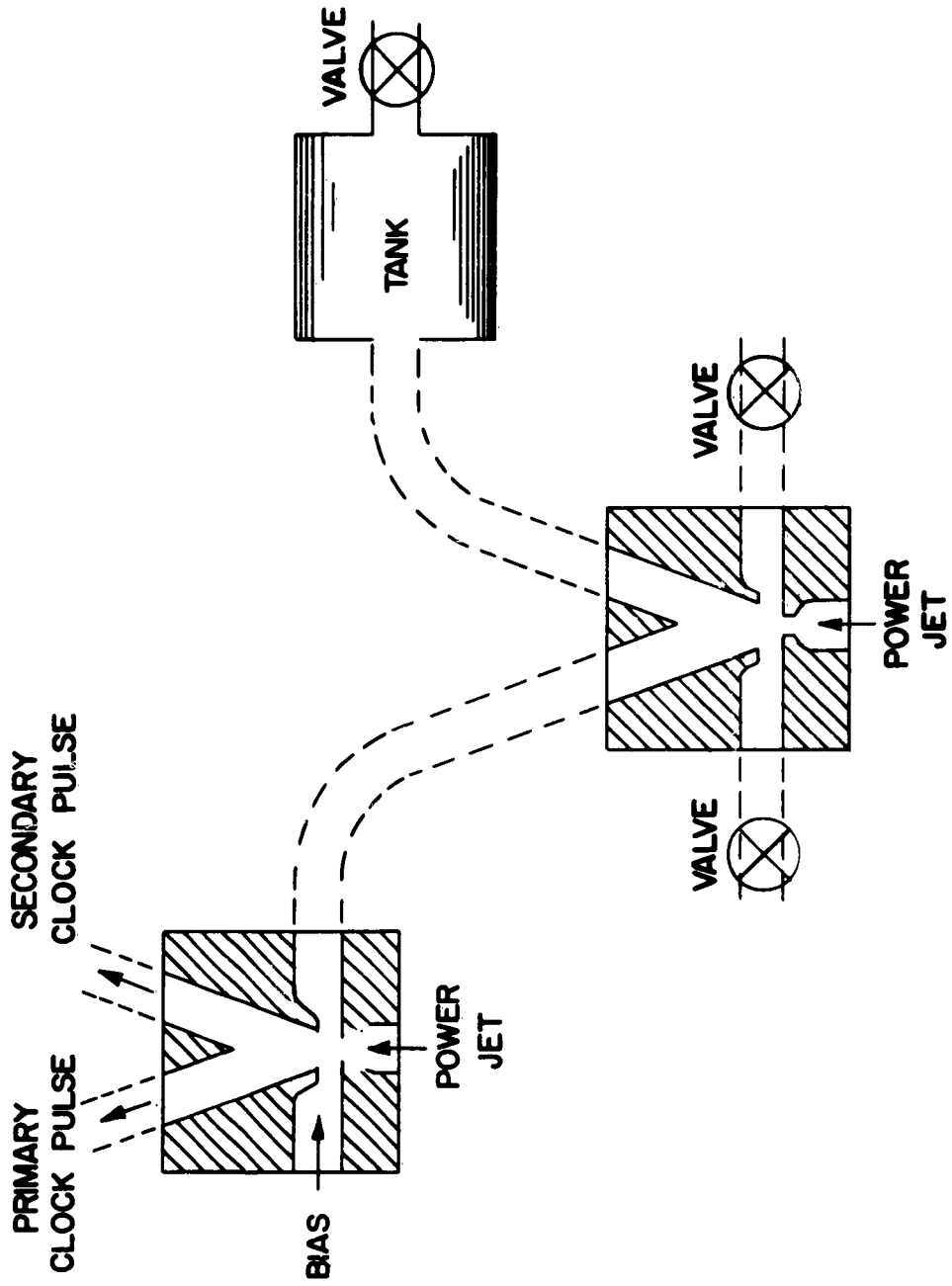


Figure 11. Clock.

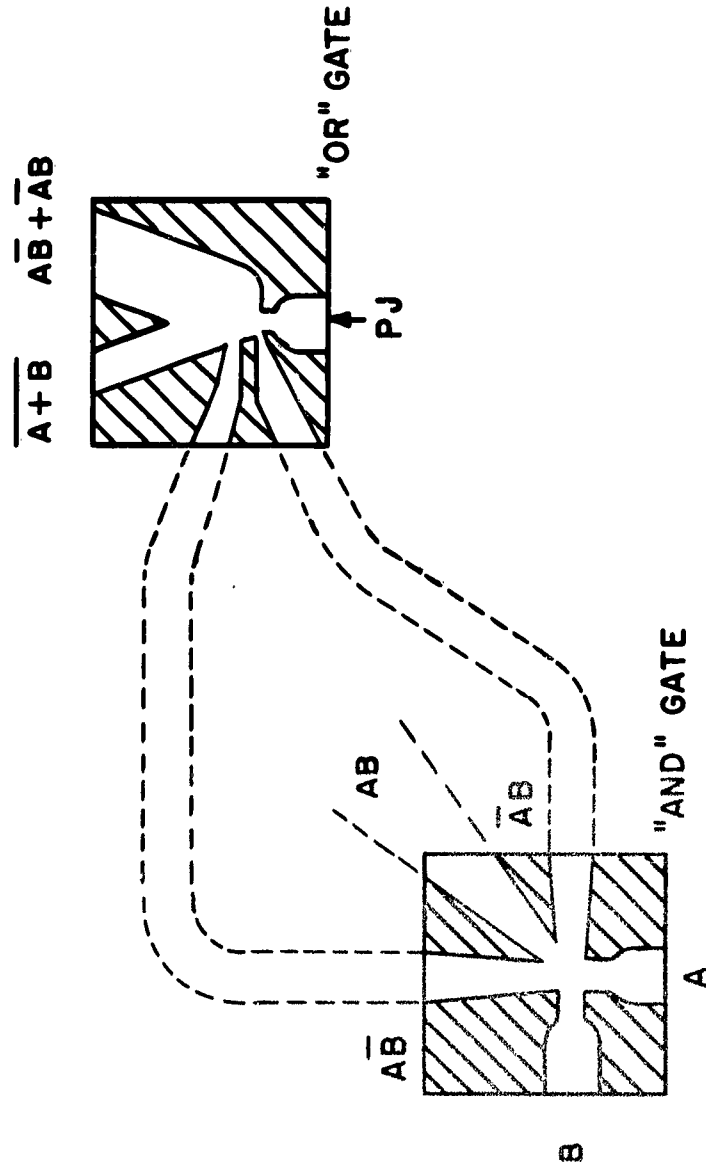


Figure 12. Half adder, AND and OR type.

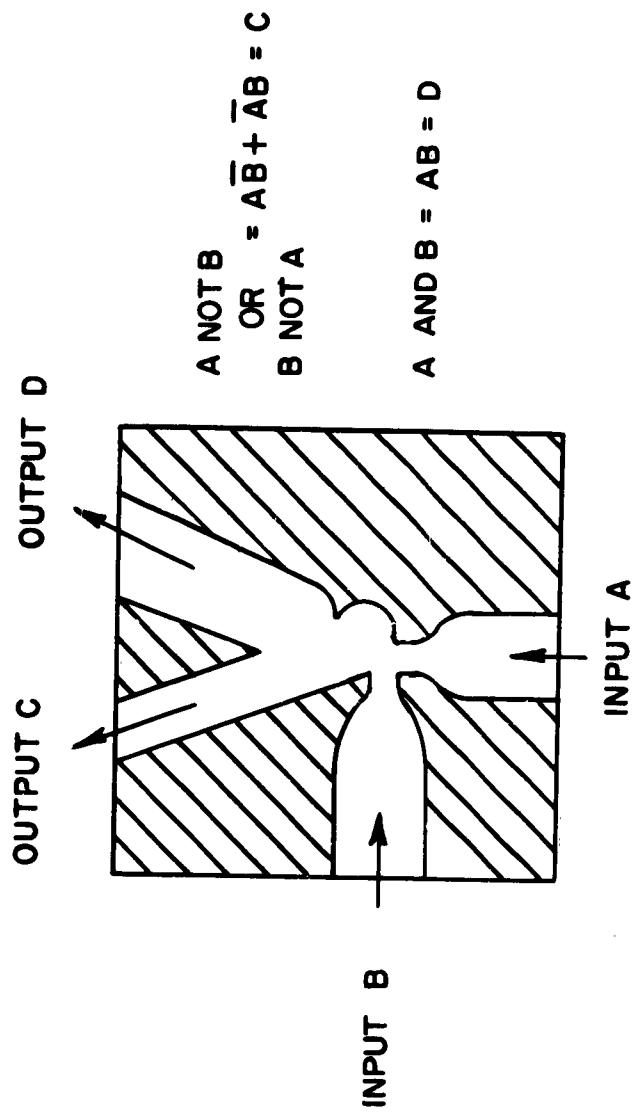


Figure 13. Half adder, hook type.

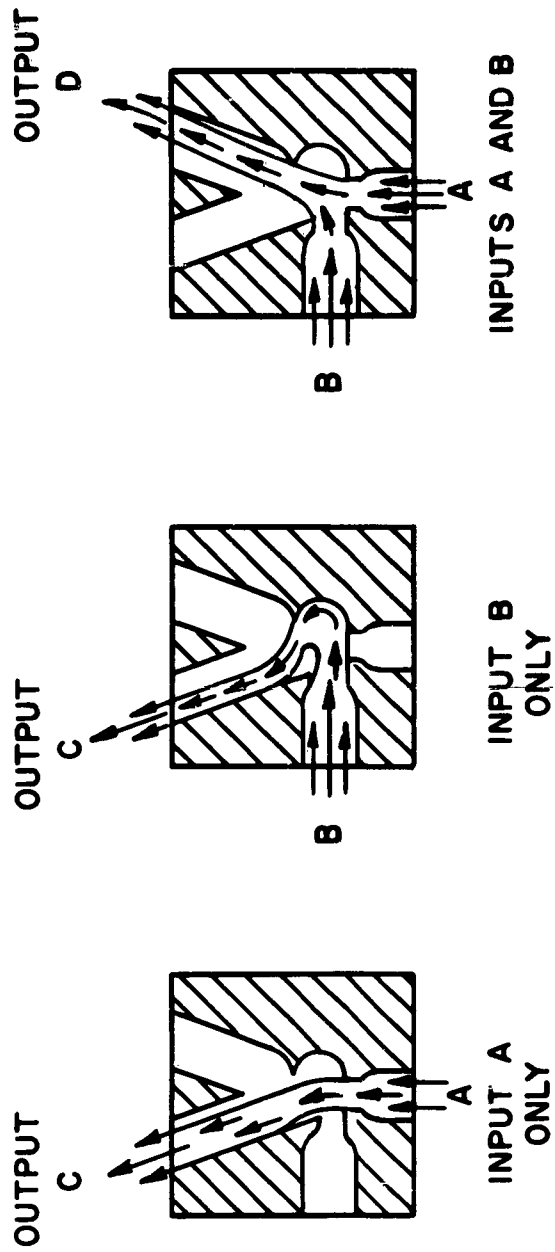


Figure 14. Half adder operation, hook type.

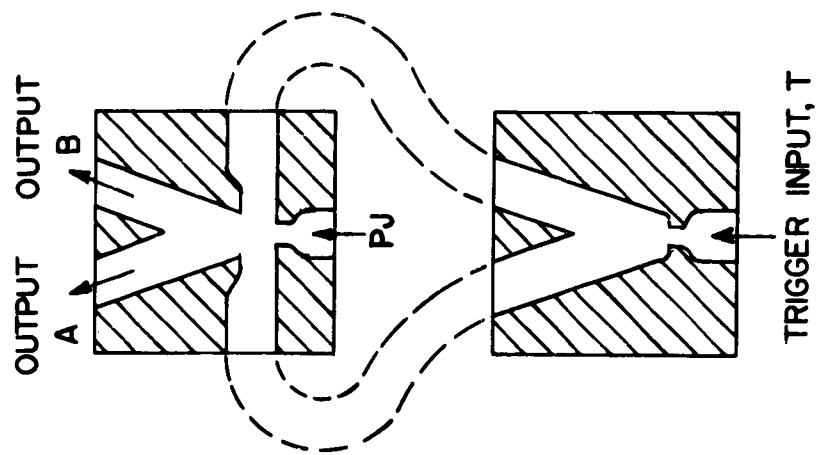


Figure 15. T flip flop.

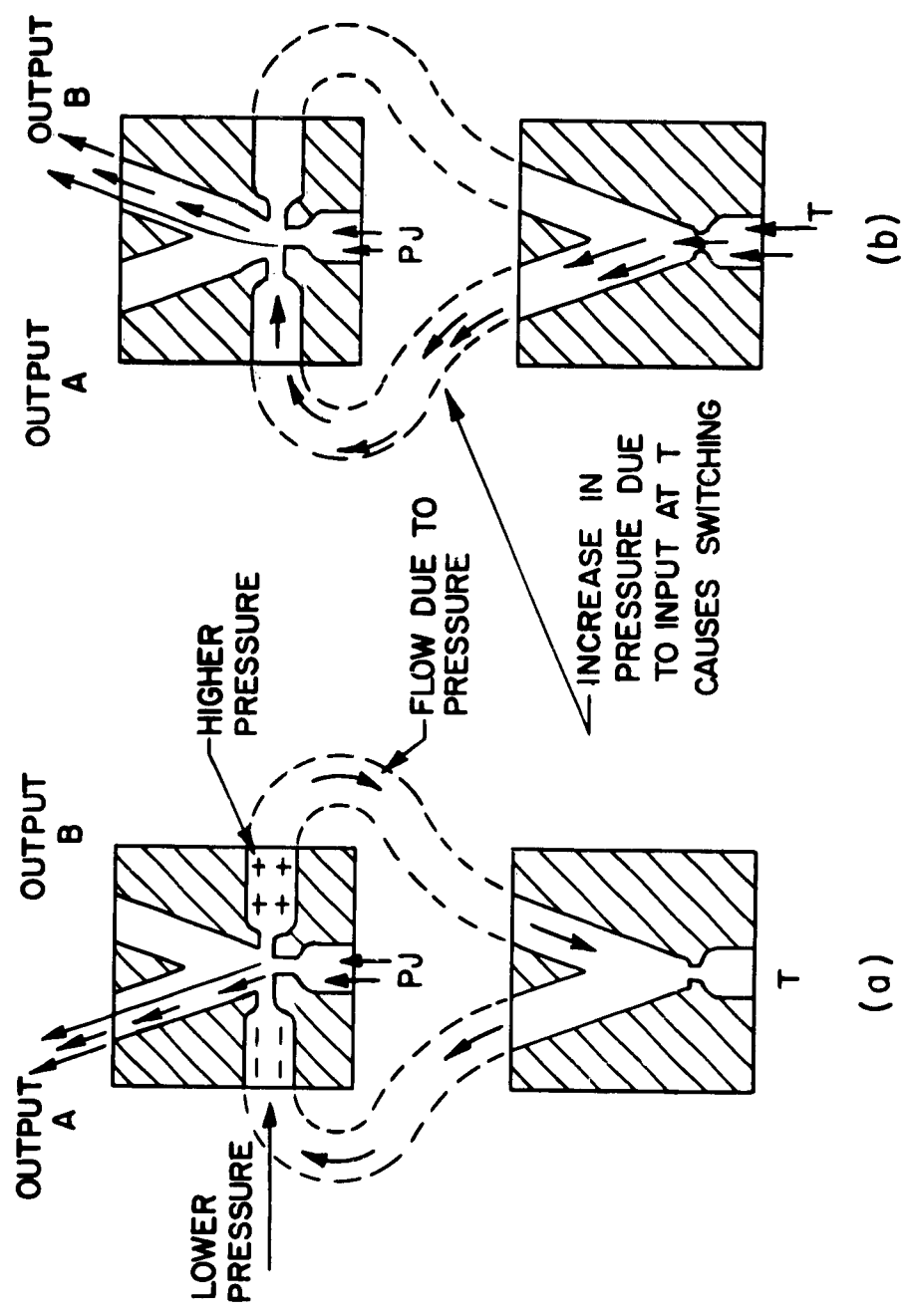


Figure 16. T flip flop operation.

DISTRIBUTION

Director
Advanced Research Projects Agency
Washington 25, D. C.
ATTN: Fred A. Koether

Office of the Dir. of Defense
Research and Engineering
The Pentagon, Washington 25, D. C.
ATTN: Tech Library (Rm 3C128)

Deputy Ass't Secretary of the Army
Research & Development
Washington 25, D. C.
ATTN: Mr. W. S. Hinman, Jr.
Rm 3E390, Pentagon Bldg.

Commanding General
Army Materiel Command
Physics and Electronics Branch
Washington 25, D. C.
ATTN: AMCRD-RS, Major W. Kerttula

Commanding General
Army Materiel Command
Washington 25, D. C.
ATTN: AMCRD-DE-N

Commanding General
US Army Materiel Command
Washington 25, D. C.
ATTN: AMCRD-DE-MI

Commanding General
Army Materiel Command
Washington 25, D. C.
ATTN: R & D Directorate,
AMCRD-RS-CM

Commanding General
Army Munitions Command
Dover, New Jersey
ATTN: Technical Library

Commanding Officer
US Army Munitions Command
Frankford Arsenal
Philadelphia 37, Pennsylvania
ATTN: Librarian, #0270

Commanding Officer
Army Research Office - Durham
Box CM. Duke Station
Durham, N. C.

Commanding Officer
Artillery Combat Dev. Agency
Fort Sill, Okla

Commanding Officer
US Army Biological Lab
Fort Detrick
Frederick, Maryland
ATTN: Tech Library

Commanding General
Engr Research & Dev Lab
Fort Belvoir, Va
ATTN: Tech Library

Commanding Officer
US Army Limited War Lab
Aberdeen Proving Ground, Md
ATTN: Lt Col J.T. Brown

Department of the Army
Office of the Chief of R&D
Washington 25, D. C.
ATTN: Chief, Combat
Material Div

Director, Special Weapons
Office of the Chief of R&D
Department of the Army
Washington 25, D. C.

Department of the Army
Office, Chief of R&D
Physical Science Div
Washington 25, D. C.
ATTN: Dr. R. B. Watson

Commanding Officer
Picatinny Arsenal
Dover, New Jersey
ATTN: Tech Library - 3 copies

DISTRIBUTION (Cont'd)

Redstone Scientific Info Center
US Army Missile Command
Redstone Arsenal, Alabama
ATTN: Chief, Document Sec - 10 copies

Redstone Arsenal
Redstone Arsenal, Alabama
ATTN: Charles Schriener,
ORDXM-REE Bldg. 7446

Commanding Officer
Rock Island Arsenal
Technical Information Branch
Rock Island, Ill

Commanding Officer
US Army Weapons Comd
Springfield Armory
Springfield, Mass
ATTN: TIU

Commanding Officer
US Army Materials Research Agency
Watertown Arsenal
Watertown 72, Mass
ATTN: Tech Info Center

Commanding Officer
Watervliet Arsenal
Watervliet, New York
ATTN: Tech Library B-C

Commanding General
White Sands Missile Range
White Sands, N. M.
ATTN: Tech Library

Department of the Navy
Bureau of Naval Weapons
Washington.25, D. C.
ATTN: S. J. Gorman, RRRE-31

Commandant
US Marine Corps
Code A04F
Washington 25, D. C.

Commander
US Naval Ordnance Laboratory
Technical Library
Corona, Calif

Commander
Naval Ordnance Laboratory
White Oak
Silver Spring, Md
ATTN: B. Gilbert

Commander
US Naval Ordnance Test Station
China Lake, Calif
ATTN: Tech Library

Director
US Naval Research Laboratory
Washington 25, D. C.
ATTN: Code 2027

Aeronautical Systems Division
Wright-Patterson AFB, Ohio
ATTN: ASRMOD (M. Shorr)

Air Force Special Weapon Center
Kirtland Air Force Base
Albuquerque, New Mexico
ATTN: Tech Library - SW01

Commander
Air Proving Ground Ctr
Eglin AFB, Florida
ATTN: Library - APGC (PGAPI)

Commander
Edwards Air Force Base
Edwards Air Force Base, Calif
ATTN: M. Jones AFTTC (FTOOT)

Commander
Armed Forces Tech Info Agency
Arlington Hall Station
Arlington 12, Virginia
ATTN: TIPDR (10 copies)

DISTRIBUTION (Cont'd)

Sandia Corporation
Sandia Base
Albuquerque, New Mexico
ATTN: Tech Library

Atomic Energy Commission
Space Nuclear Propulsion Office
Washington 25, D. C.
ATTN: F. C. Schwenk

US Atomic Energy Commission
Hdqtrs Library
Washington 25, D. C.

Franklin Institute of the
State of Pennsylvania
Philadelphia 5, Pennsylvania
ATTN: C.W Hargens, Tech Dir
ATTN: Charles A. Belsterling

Library of Congress
Science & Technology Div
Washington 25, D. C.

Los Alamos Scientific Laboratory
P. O. Box 1663
Los Alamos, New Mexico
ATTN: Report Librarian

Marshall Space Flight Center
Computation Division
Huntsville, Alabama
ATTN: Dr. Walter P. Krause

NASA
Langley Research Center
Langley Station
Hampton, Va
ATTN: Tech Library

National Aeronautics & Space Agency
Lewis Research Center
Cleveland 35, Ohio
ATTN: K. Hiller

NASA Representative
Scientific Info Facility
P. O. Box 5700
Bethesda, Md
ATTN: S-AK-RKT-3799

National Bureau of Standards
Washington 25, D. C.
ATTN: Library

National Bureau of Standards
Boulder, Colorado
ATTN: Tech Library

National Bureau of Standards
Washington 25, D. C.
ATTN: Chief Sec 14.01
Bldg 16 Rm 310

Patent Office
Washington 25, D. C.
ATTN: Scientific Library
Acquisitions, Rm. 1886-C

University of Arizona
Physics Department
Tucson, Arizona
ATTN: Prof Ulrich H. Bents

Armour Research Foundation of
Illinois Ins. of Tech. Center
Chicago 16, Illinois
ATTN: George I. Jacobi
10 W. 35th Street

University of California
Engineering Library
Berkeley 4, Calif

Carnegie Institute of Technology
Pittsburgh, Pa
ATTN: Tech Library
ATTN: Dr. E. M. Williams

Cornell University
Ithaca, N. Y.
ATTN: Dr. Edward Resler, Jr.

Engineering Societies Library
345 East 47th Street
New York 17, N. Y.

Johns Hopkins University
Applied Physics Lab.
8621 Georgia Ave
Silver Spring, Md
Attn: Tech Lib - 2 copies - B

Distribution (Cont'd)

Linda Hall Library
5109 Cherry Street
Kansas City 10, Mo
ATTN: Joseph C. Shipman

University of Maryland
College of Aero Engineering
College Park, Maryland
Attn: W. Sherwood

University of Maryland
Director, Wind Tunnel
College Park, Md
ATTN: Mr. Donald S. Gross

Mass. Inst of Technology
Dept of Mech Engineering
Cambridge, Mass
ATTN: J. L. Shearer - B Rm 3-453

University of New Mexico
Albuquerque, N. M.
ATTN: Dr. A.H. Koschmann

New York State University
School of Engineering
6 Chemistry Road
Buffalo 14, N. Y.
ATTN: Tech Library

Ohio State University
576 Melrose Ave
Columbus 2, Ohio
ATTN: Tech Library

Rutgers State University
University Library
New Brunswick, N. J.
ATTN: Dr. D. F. Cameron

INTERNAL

Horton, B.M./McEvoy, R.W., Lt Col
Apstein, M./Gerwin, H.L./Guarino, P.A./Kalmus, H. P.
Spates, J. E./Schwenk, C. C.
Hardin, C. D., Lab 100
Sommer, H., Lab 200
Hatcher, R.D., Lab 300
Hoff, R. S., Lab 400
Nilson, H., Lab 500
Flyer, I. N., Lab 600
Campagna, J.H./Apolenis, C. J., Div 700
DeMasi, R., Div 800
Landis, P. E./Lab 900
Seaton, J.W., 260
Keller, C., 300
Kirshner, J., 310 (27 copies)
Rotkin, I./Godfrey, T.B./Eichberg, R. L.
Bryant, W. T./Distad, M. F./McCoskey, R.E./Moorhead, J. G.
Harris, F. T., 320
Technical Reports Unit, 800 (5 copies)
Technical Information Office, 010 (10 copies)
HDL Library (5 copies)

(Two pages of abstract cards follow)

